

WINAM GROUP

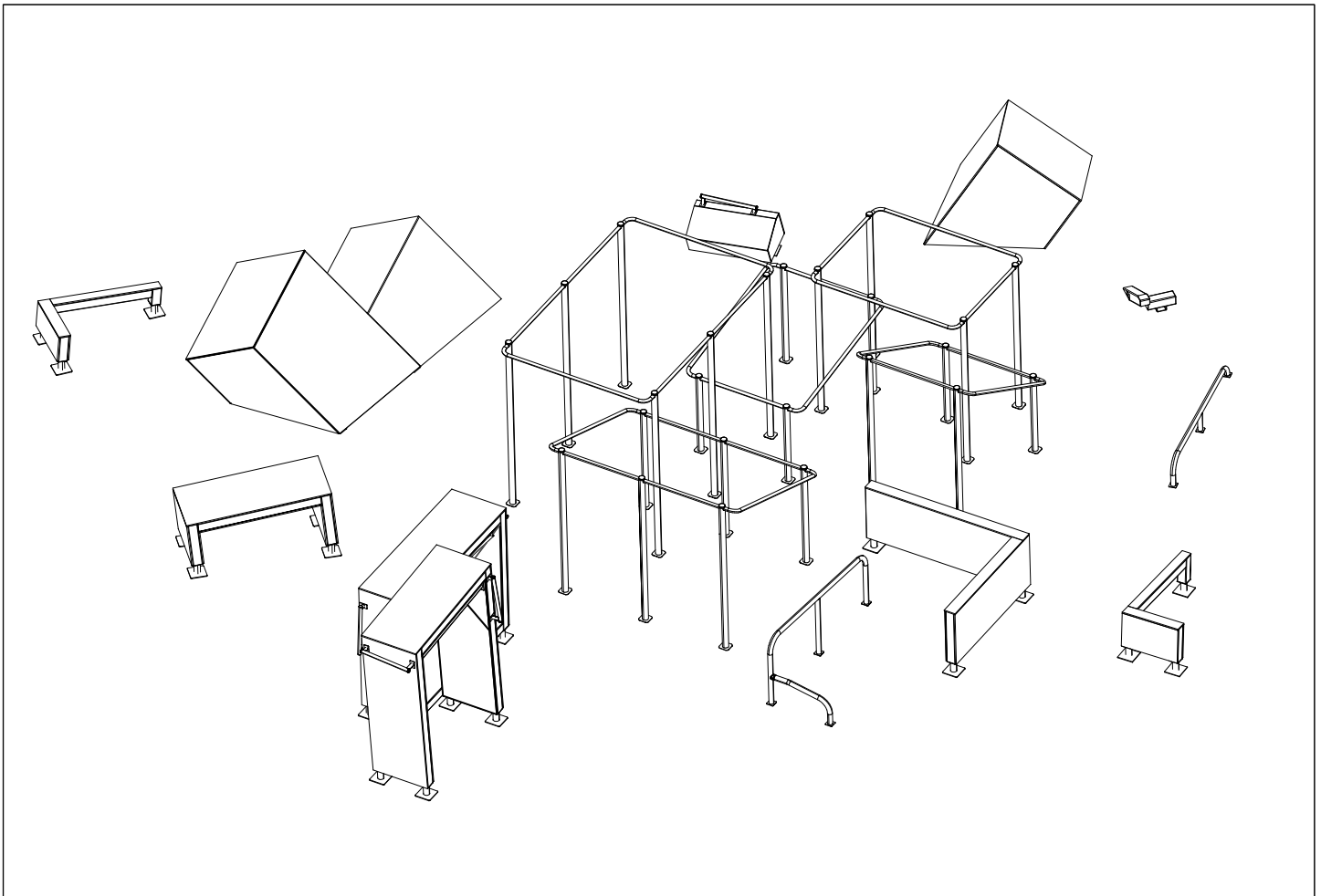
DASH PARKOUR



ASENNUSOHJE
MONTERINGSANSVISNING
INSTALLATION INSTRUCTION
AUFBAUANLEITUNG
NOTICE D'INSTALLATION

DATE: 20.1.2020

081787M



WINAM GROUP

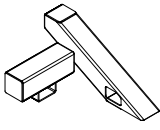

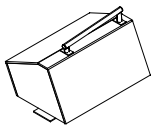

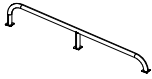

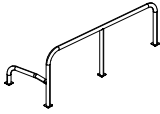

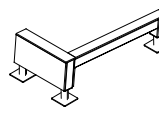

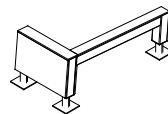

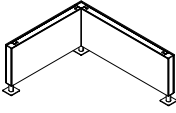

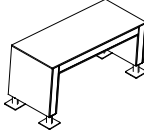

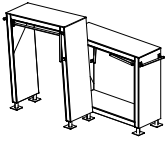

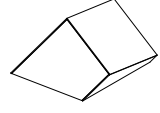

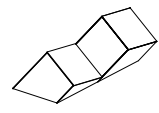

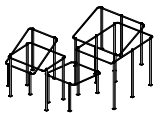

DASH PARKOUR

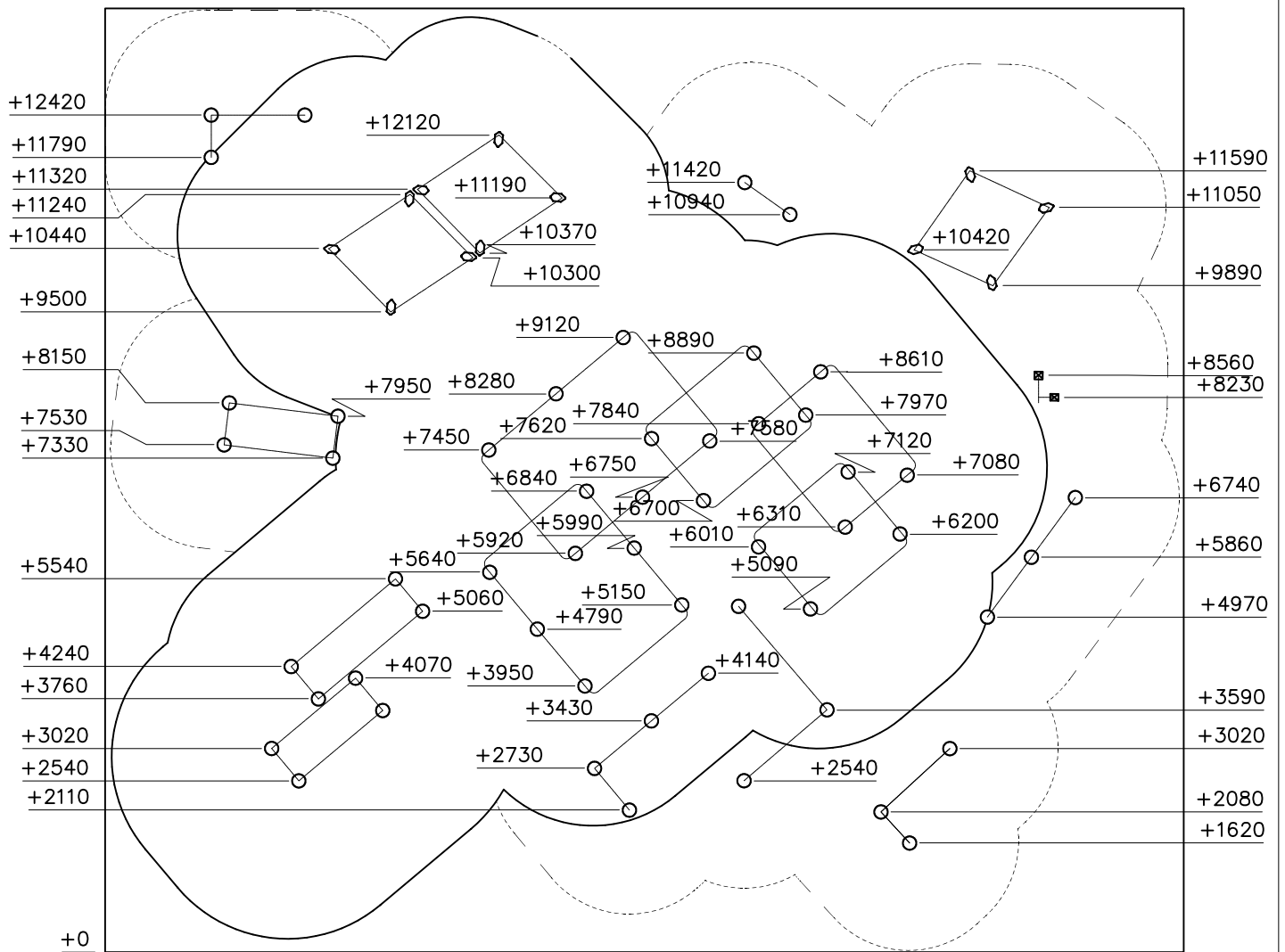
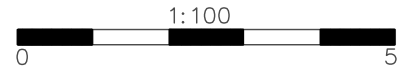
081787M

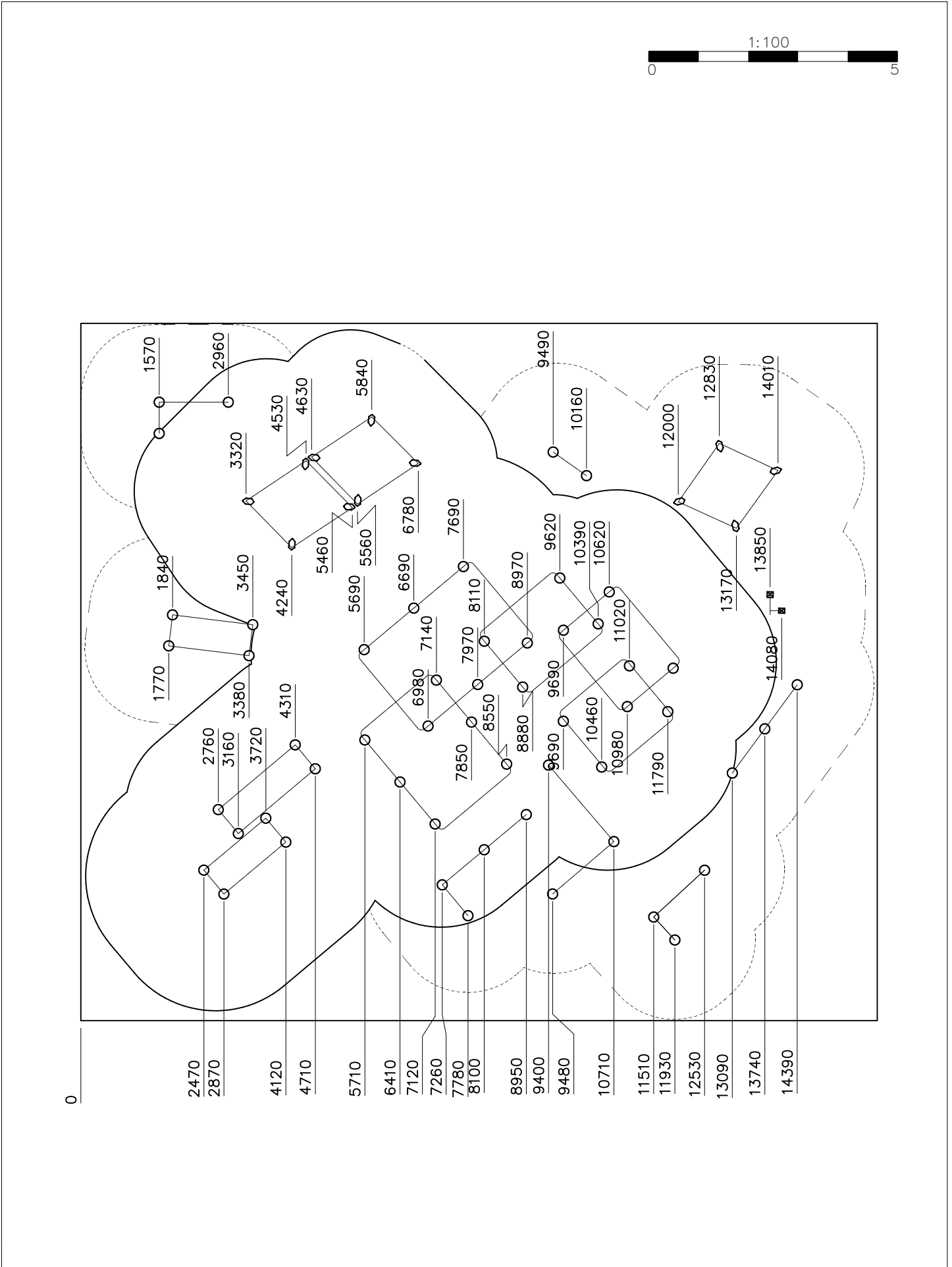
DATE: 20.1.2020



1(1)
3

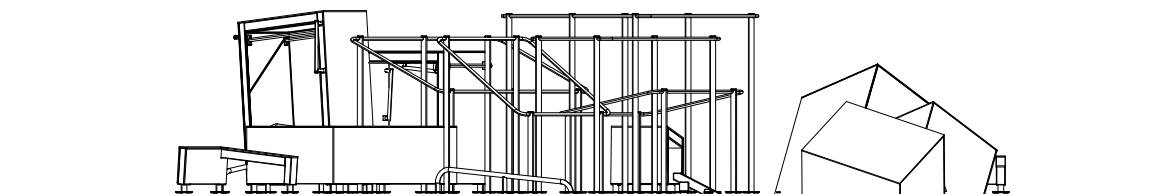
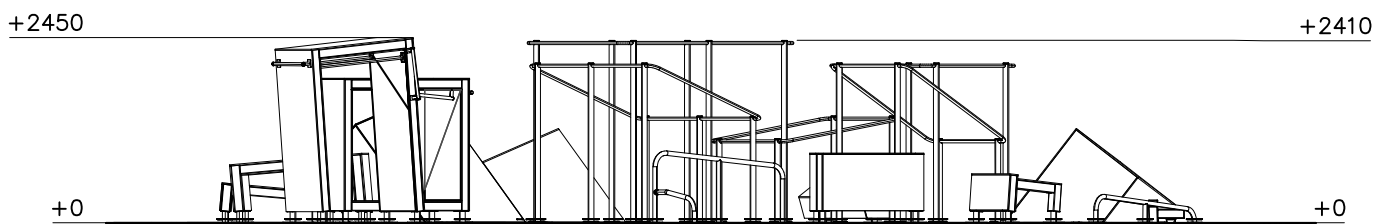
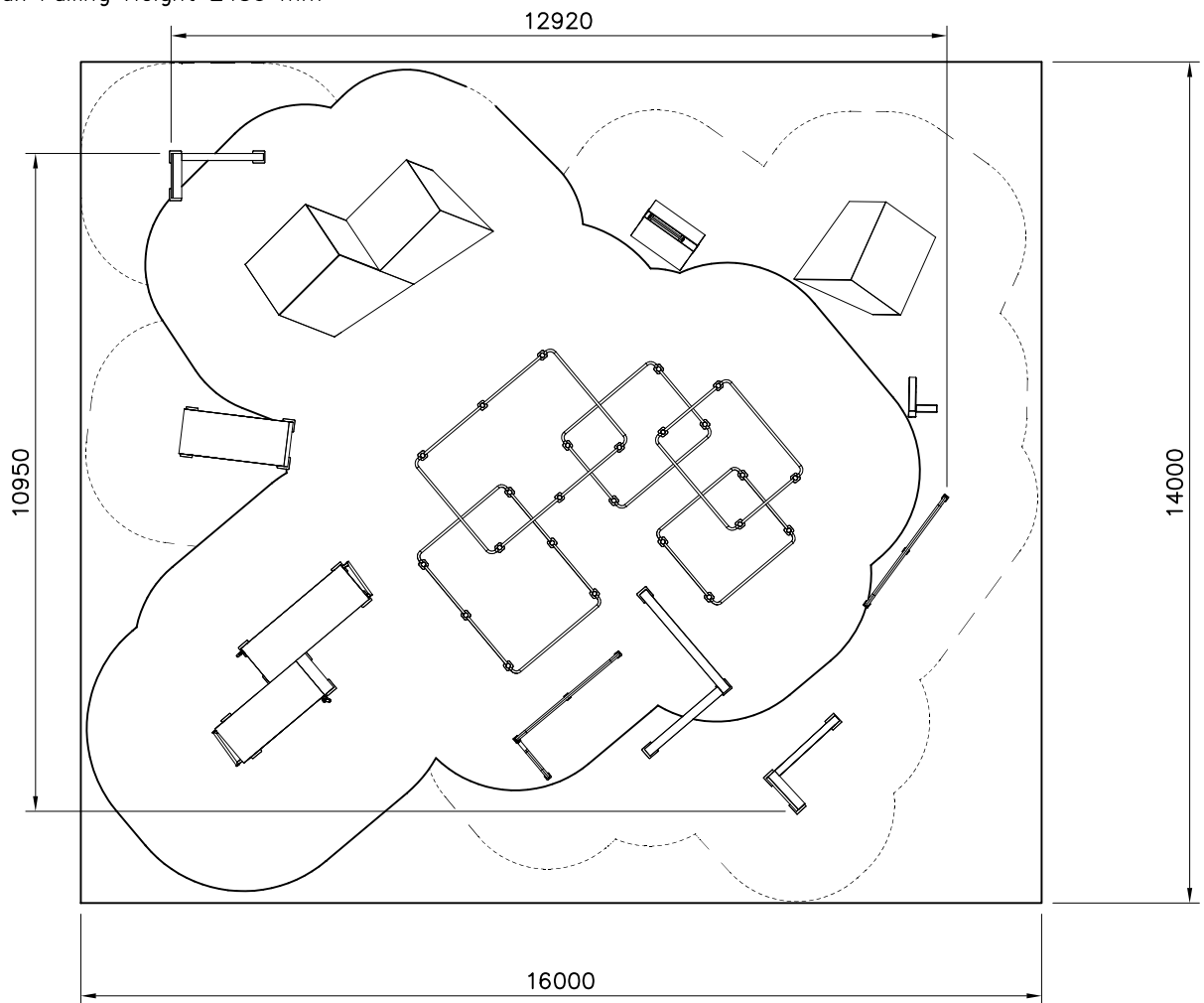
081701M  	PCS 1	081702M  	PCS 1	081710M  	PCS 1	081712M  	PCS 1	081720M  	PCS 1	081721M  	PCS 1
081722M  	PCS 1	081730M  	PCS 1	081738M  	PCS 1	081740M  	PCS 1	081743M  	PCS 1	081752M  	PCS 1
	PCS		PCS		PCS		PCS		PCS		PCS
	PCS		PCS		PCS		PCS		PCS		PCS
	PCS		PCS		PCS		PCS		PCS		PCS
	PCS		PCS		PCS		PCS		PCS		PCS
	PCS		PCS		PCS		PCS		PCS		PCS

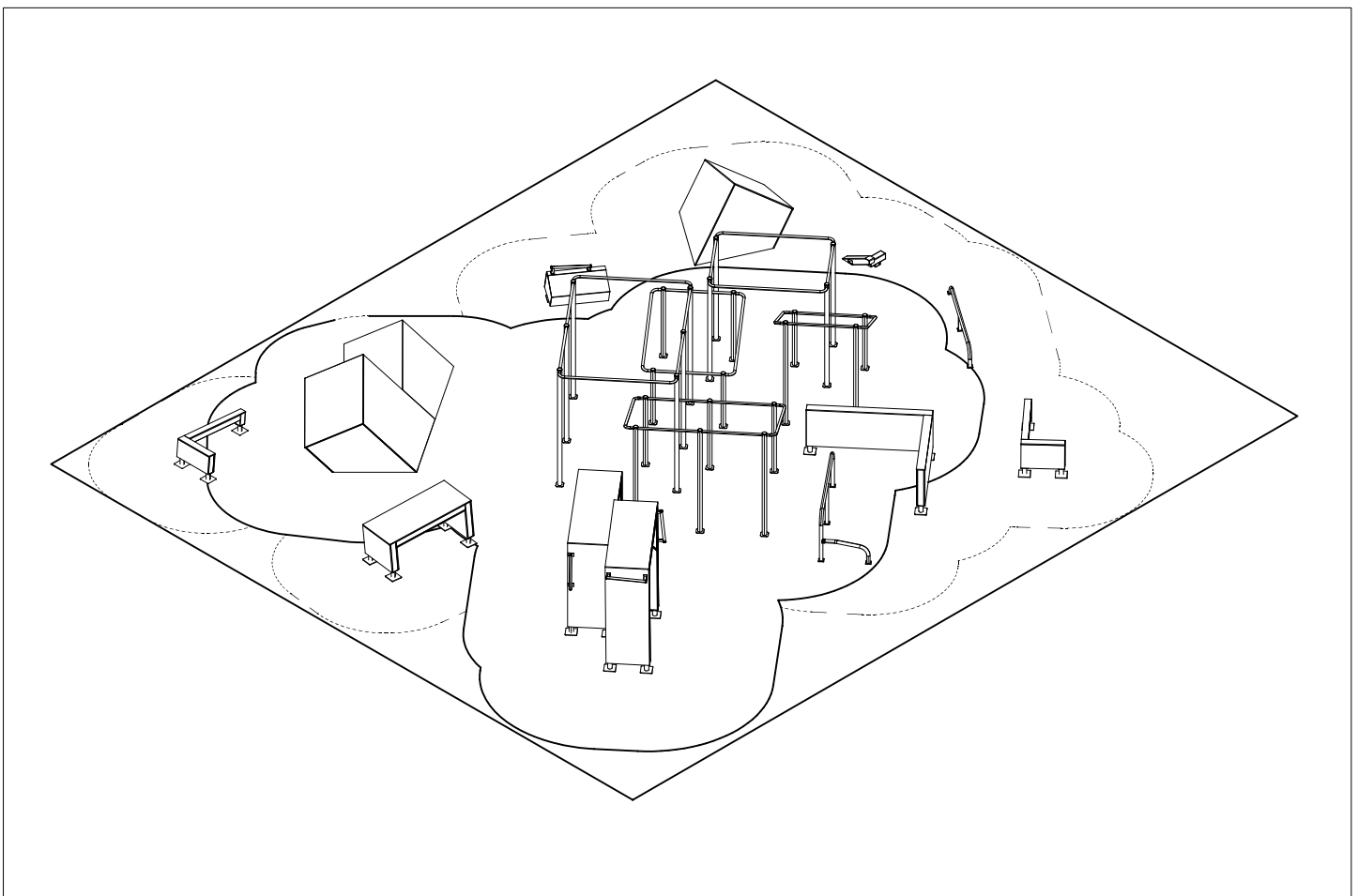
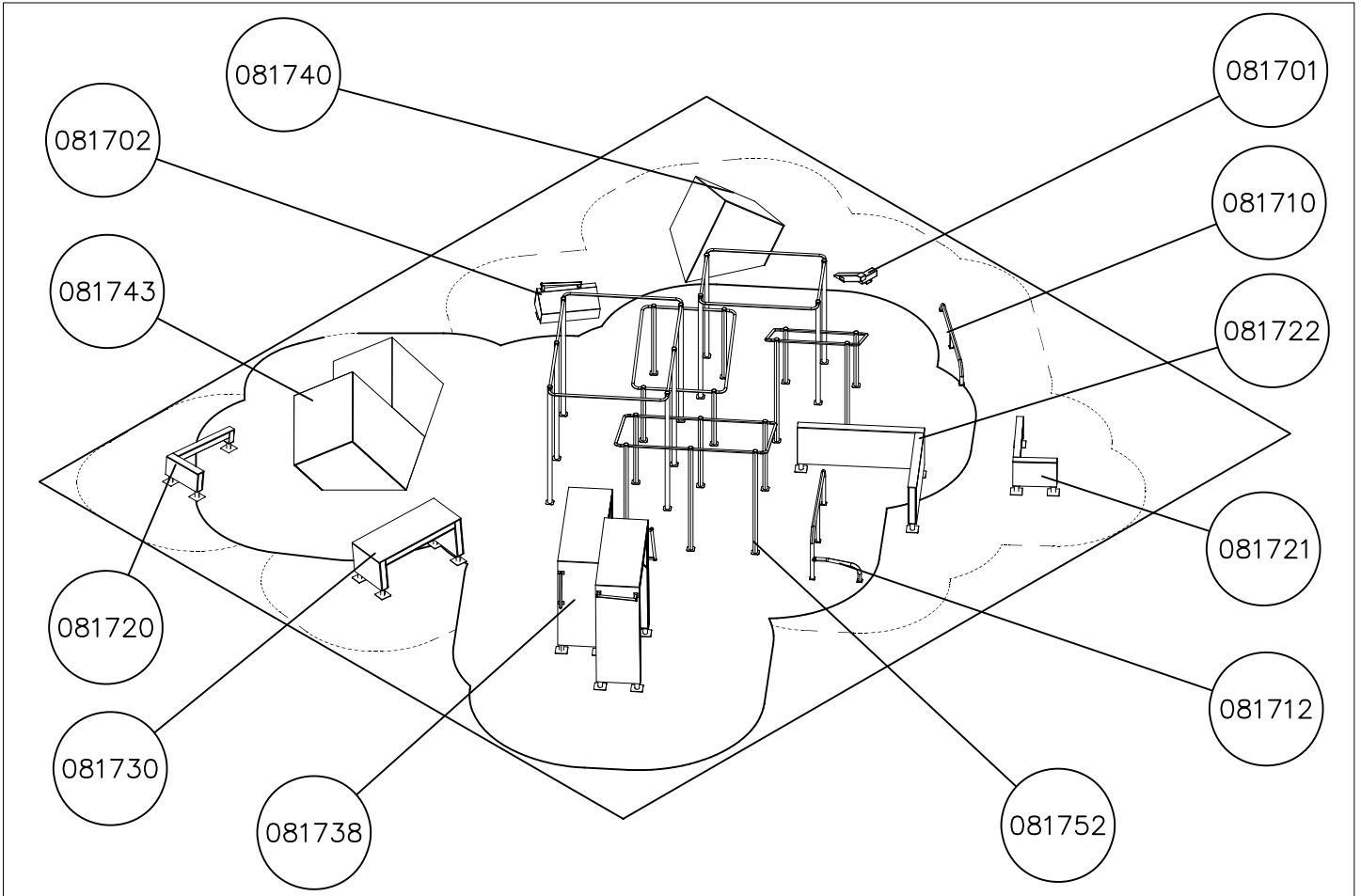


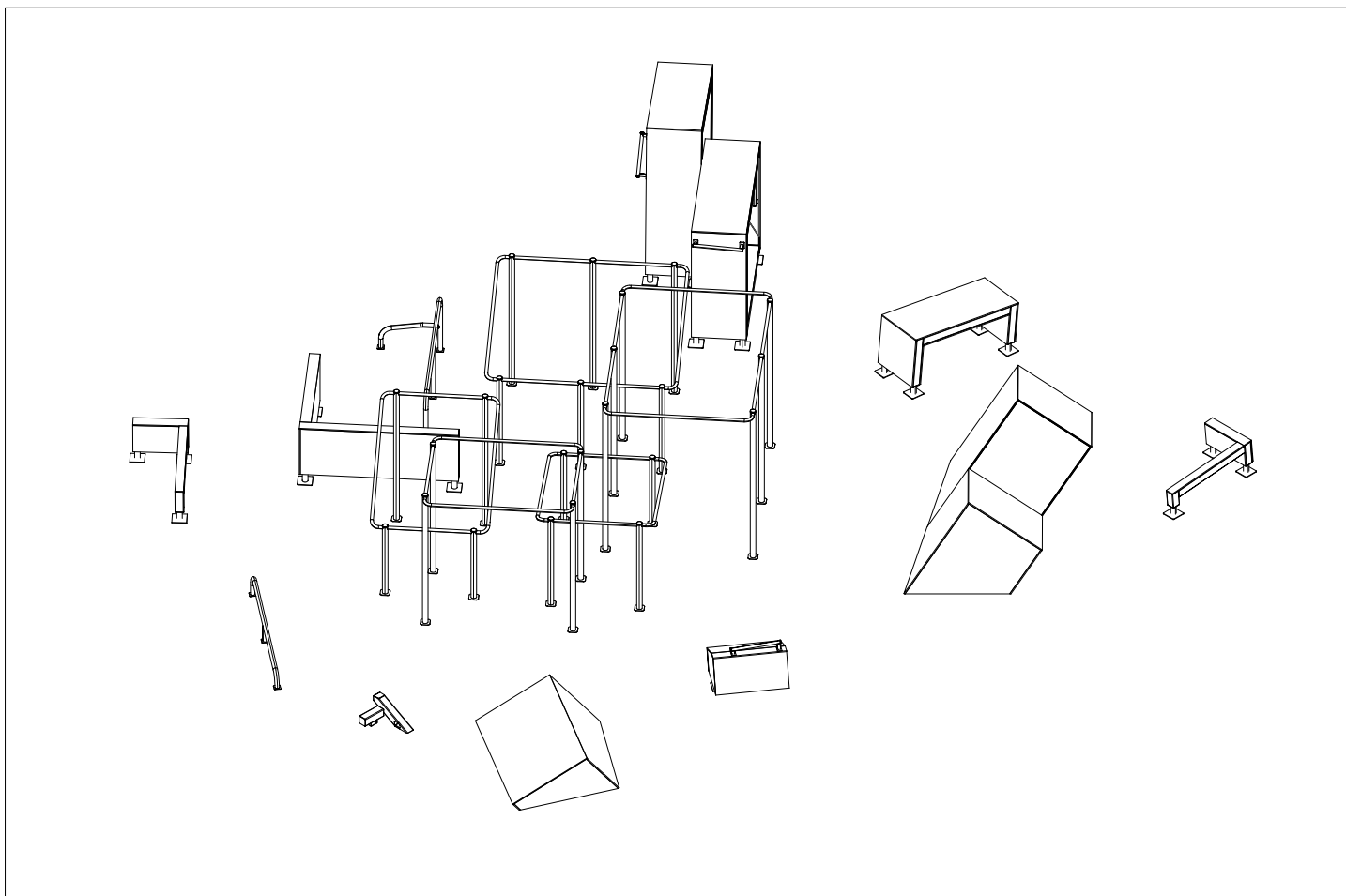
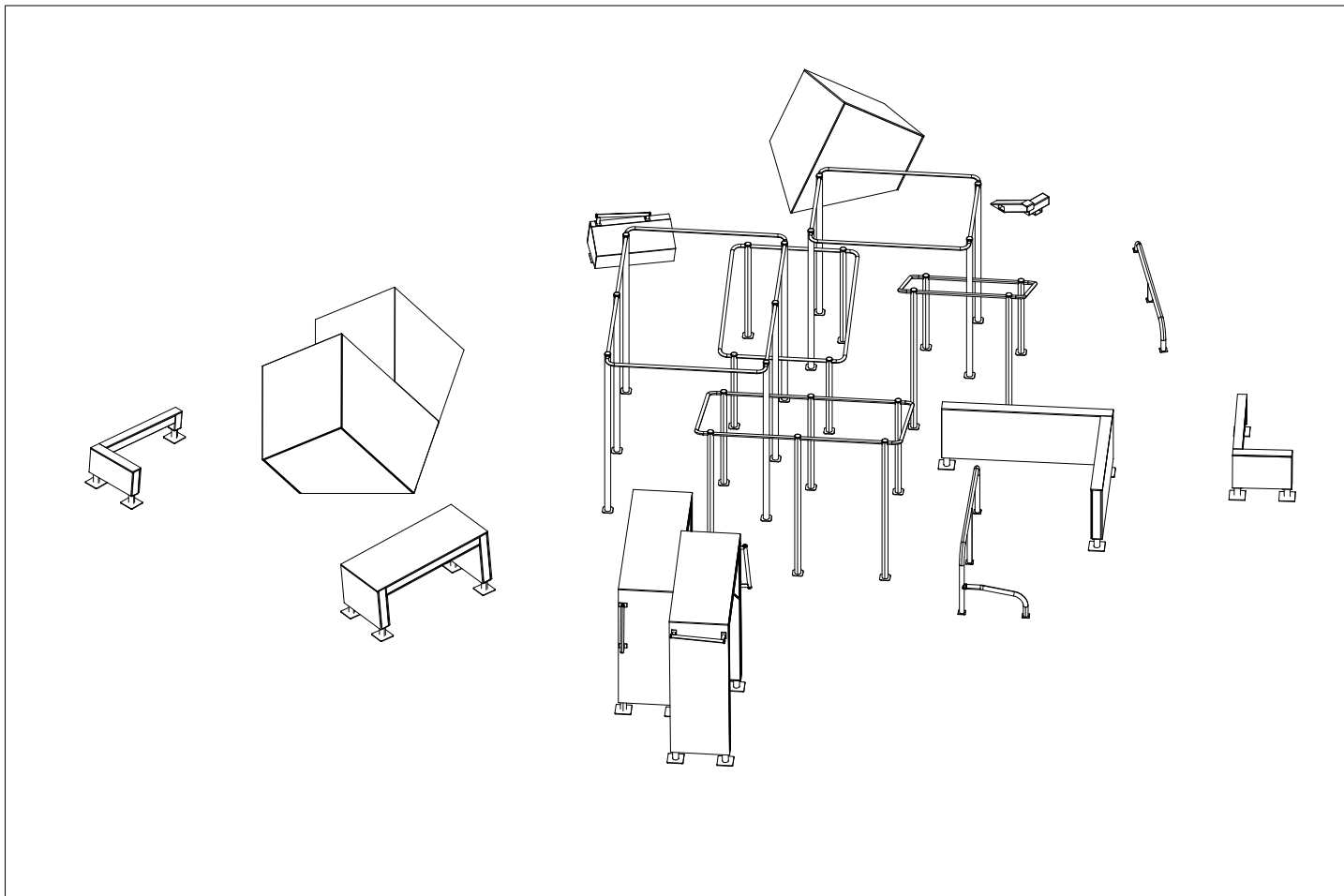


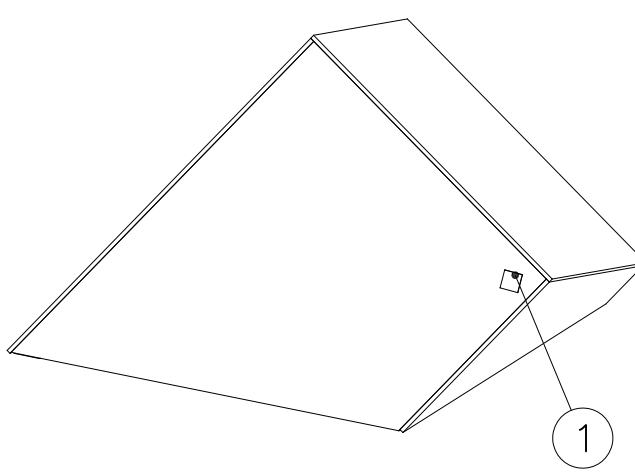

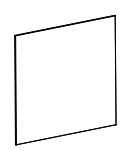

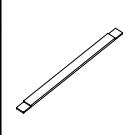
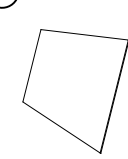
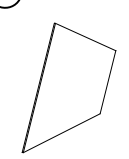
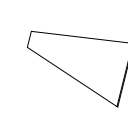
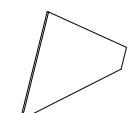
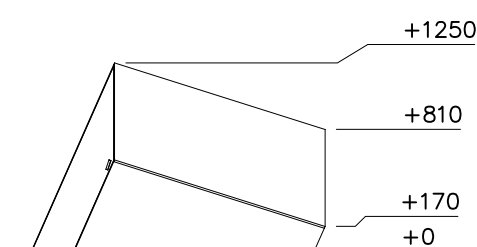
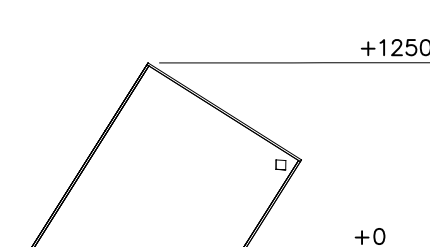
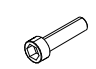

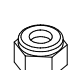


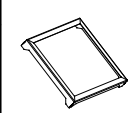





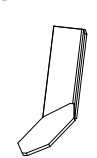
- EN Impact Attenuating Surface (IAS) 118.2 m²
- Falling Space 182.7 m²
- Max Falling Height 2450 mm





1:125





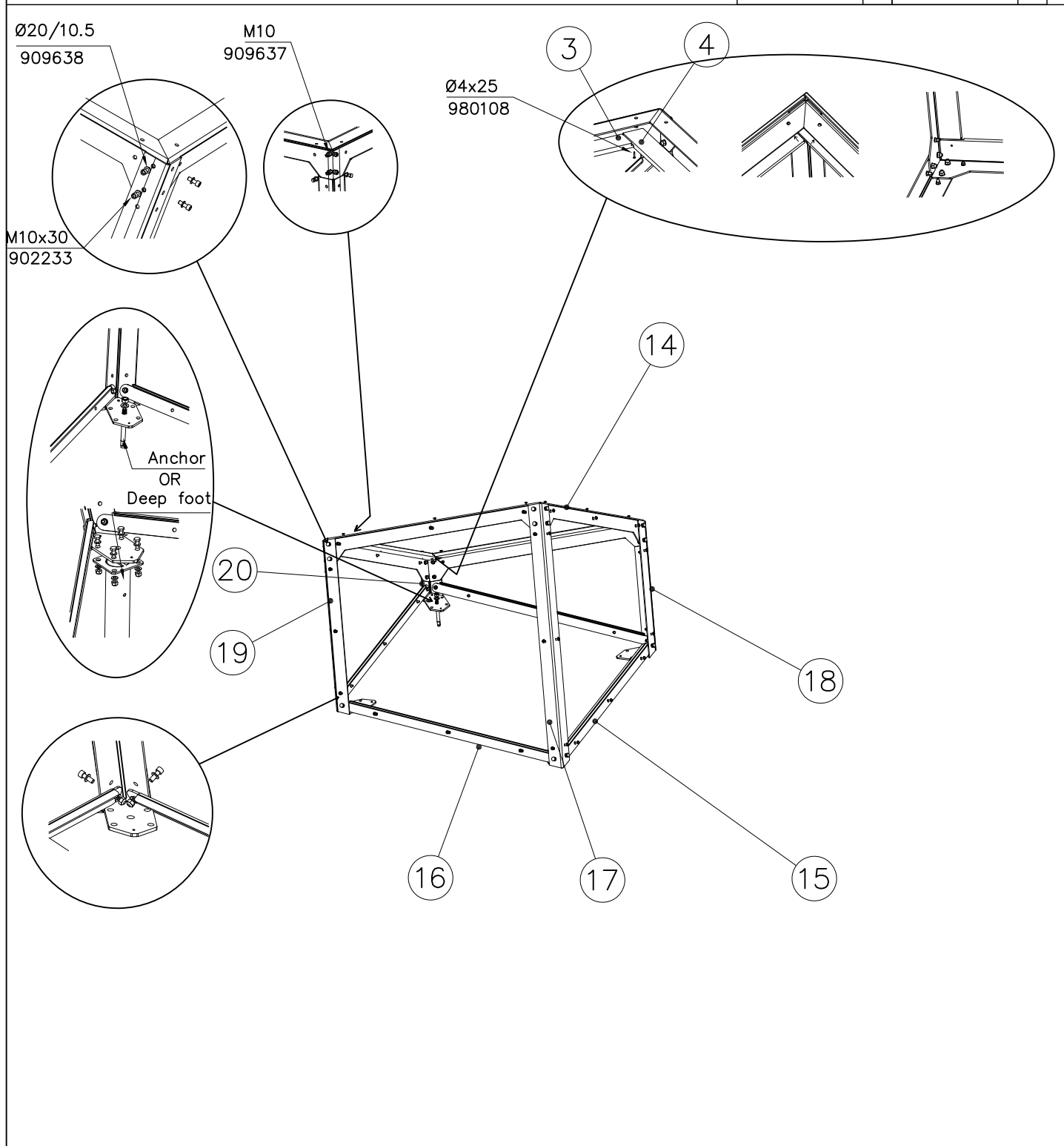


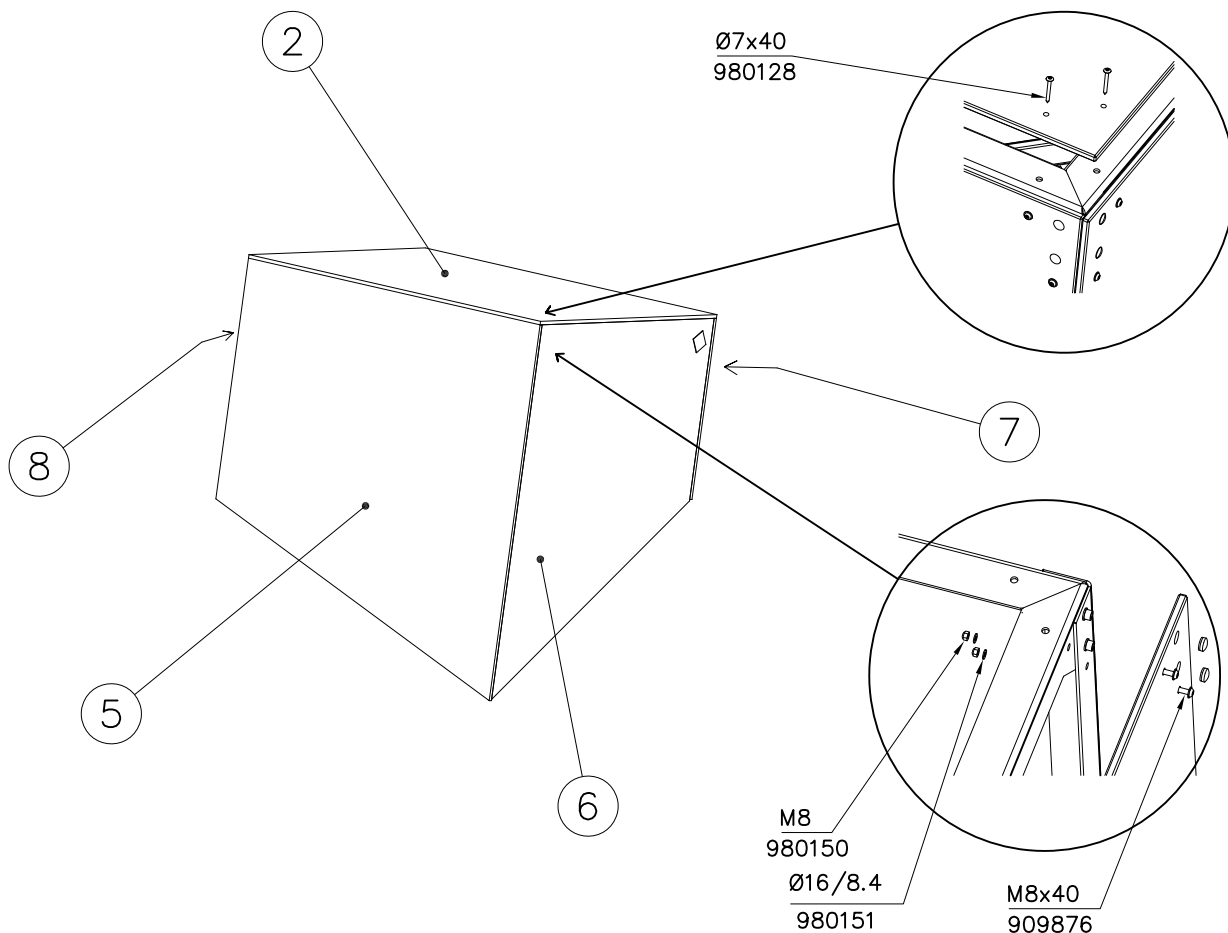


		① 702341 PCS  90x50	1 1	② 709159 PCS  15x1200x1486	1 1
		③ 709164 PCS  18x80x1135	2 2	④ 709165 PCS  18x80x1420	2 2
		⑤ 709168 PCS  15x1486x1545	1 1	⑥ 709169 PCS  15x1170x1540	1 1
		⑦ 709170 PCS  15x1170x1620	1 1	⑧ 709171 PCS  15x990x1170	1 1
				⑨ 902233 PCS  M10x30	24 24
				⑩ 905112 PCS  Ø22	24 24
				⑪ 909637 PCS  M10	24 24
				⑫ 909638 PCS  Ø20/10.5	48 48
				⑬ 909876 PCS  M8x40	48 48
				⑭ 910744 PCS  154x1160x1445	1 1
⑮ 910768 PCS  30x60x1349	2 2	⑯ 910769 PCS  30x60x1504	2 2	⑰ 910789 PCS  L 1528	1 1
⑱ 910790 PCS  L 796	1 1	⑲ 910791 PCS  L 1016	1 1	⑳ 910792 PCS  L 254	1 1

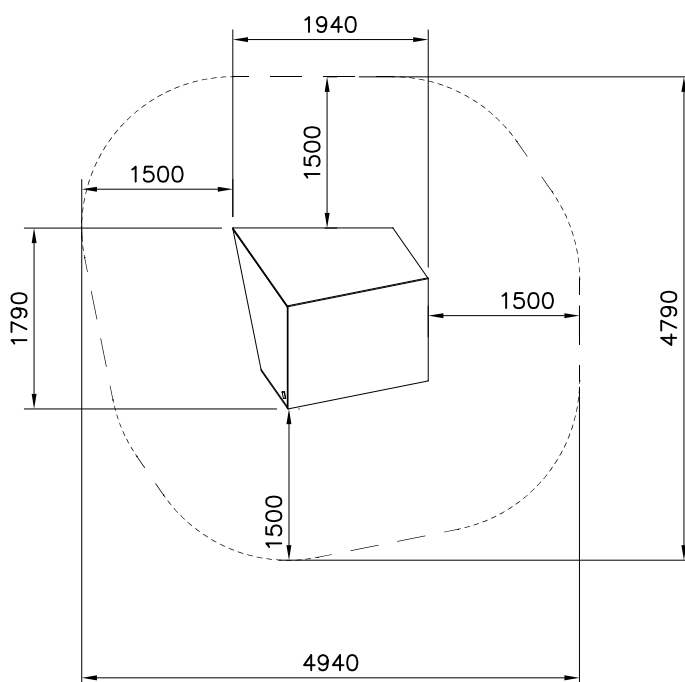
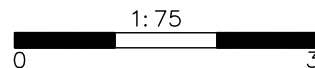
②1	980108	PCS	②2	980128	PCS	②3	980150	PCS	②4	980151	PCS
		4			12			48			48
	Ø4x25			Ø7x40			M8			Ø16/8.4	

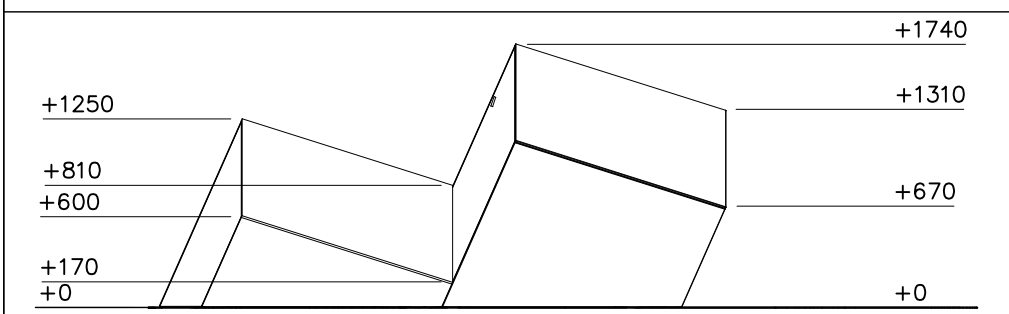
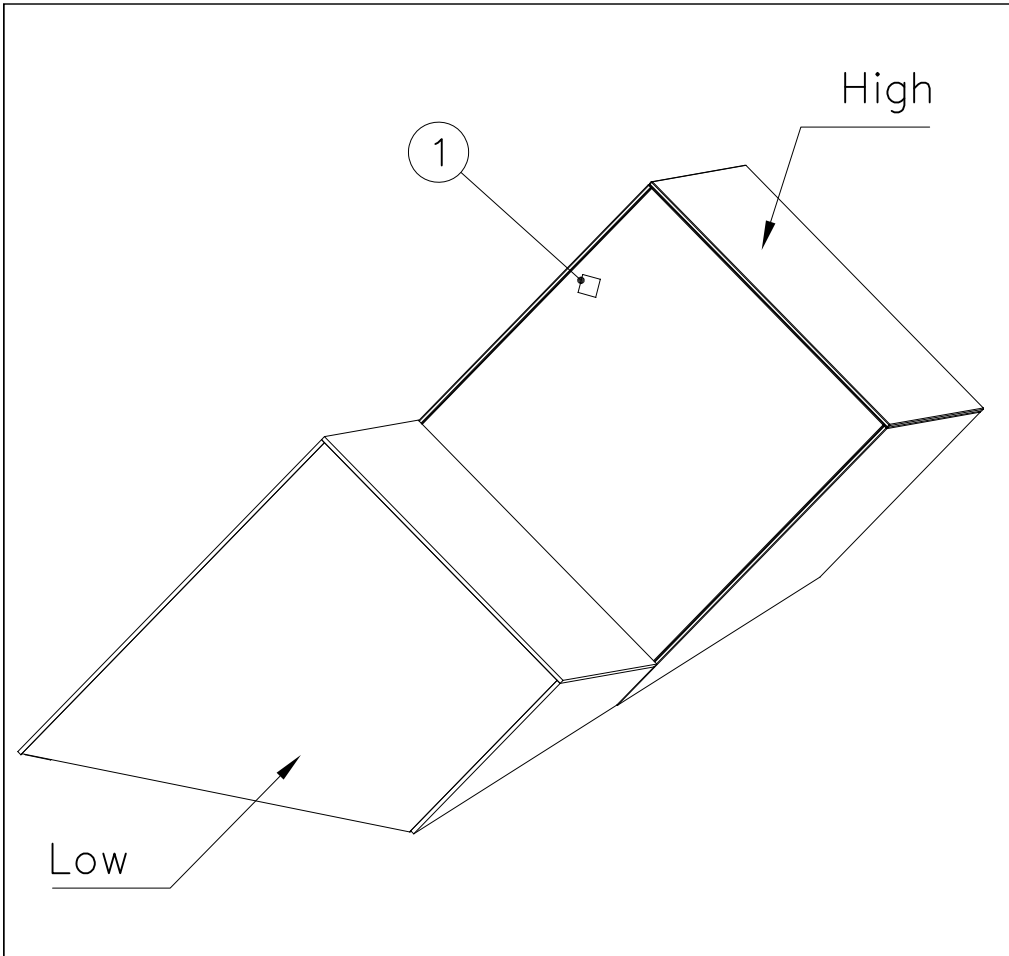
FOOT OPTION					
709387+					
○	709386	PCS	○	910567	PCS
	SURFACE	1		CONCRETE	4
					
	M16x170			117x117x715	

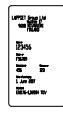
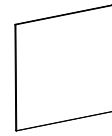
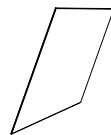
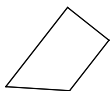
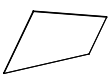
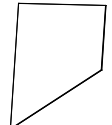
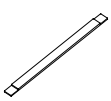

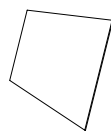
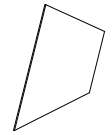
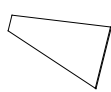
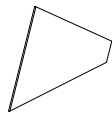
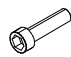

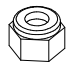


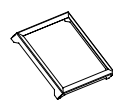

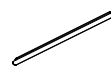
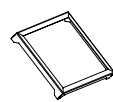
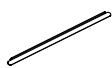





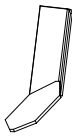



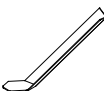






----- Falling Space 19.7 m²
 Max Falling Height 1250 mm


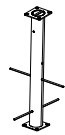




① 702341	PCS	② 709159	PCS
	1		2
90x50		15x1200x1486	
③ 709160	PCS	④ 709161	PCS
	1		1
15x1486x2174		15x1170x2170	
⑤ 709162	PCS	⑥ 709163	PCS
	1		1
15x1376x1486		15x1170x1620	
⑦ 709164	PCS	⑧ 709165	PCS
	4		4
18x80x1135		18x80x1420	
⑨ 709168	PCS	⑩ 709169	PCS
	1		1
15x1486x1545		15x1170x1540	
⑪ 709170	PCS	⑫ 709171	PCS
	1		1
15x1170x1620		15x990x1170	
⑬ 902233	PCS	⑭ 905112	PCS
	48		48
M10x30		Ø22	
⑮ 909637	PCS	⑯ 909876	PCS
	48		88
M10		M8x40	
⑰ 909638	PCS	⑱ 910744	PCS
	96		2
Ø20/10.5		154x1160x1445	
⑰ 909876	PCS	⑳ 910768	PCS
	88		4
M8x40		30x60x1349	
⑱ 910744	PCS	㉑ 910769	PCS
	2		4
154x1160x1445		30x60x1504	

⑳ 910789	PCS	㉑ 910790	PCS	㉒ 910791	PCS	㉓ 910792	PCS	㉔ 910793	PCS	㉕ 910794	PCS
	1		1		1		1		1		1
L 1528		L 796		L 1016		L 254		L 2158		L 1425	
㉖ 910795	PCS	㉗ 910796	PCS	㉘ 980108	PCS	㉙ 980128	PCS	㉚ 980150	PCS	㉛ 980151	PCS
	1		1		8		29		88		88
L 1646		L 884		Ø4x25		Ø7x40		M8		Ø16/8.4	

709387+

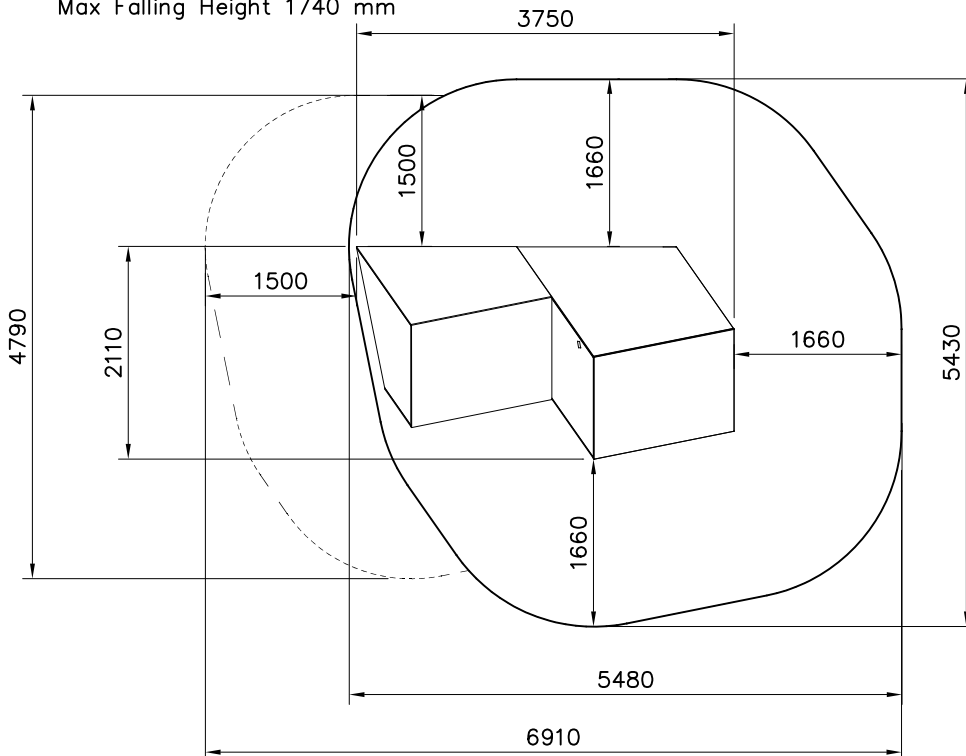
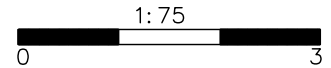
○ 709386	PCS	○ 910567	PCS
SURFACE	2	CONCRETE	8
			
M16x170		117x117x715	

FOOT OPTION

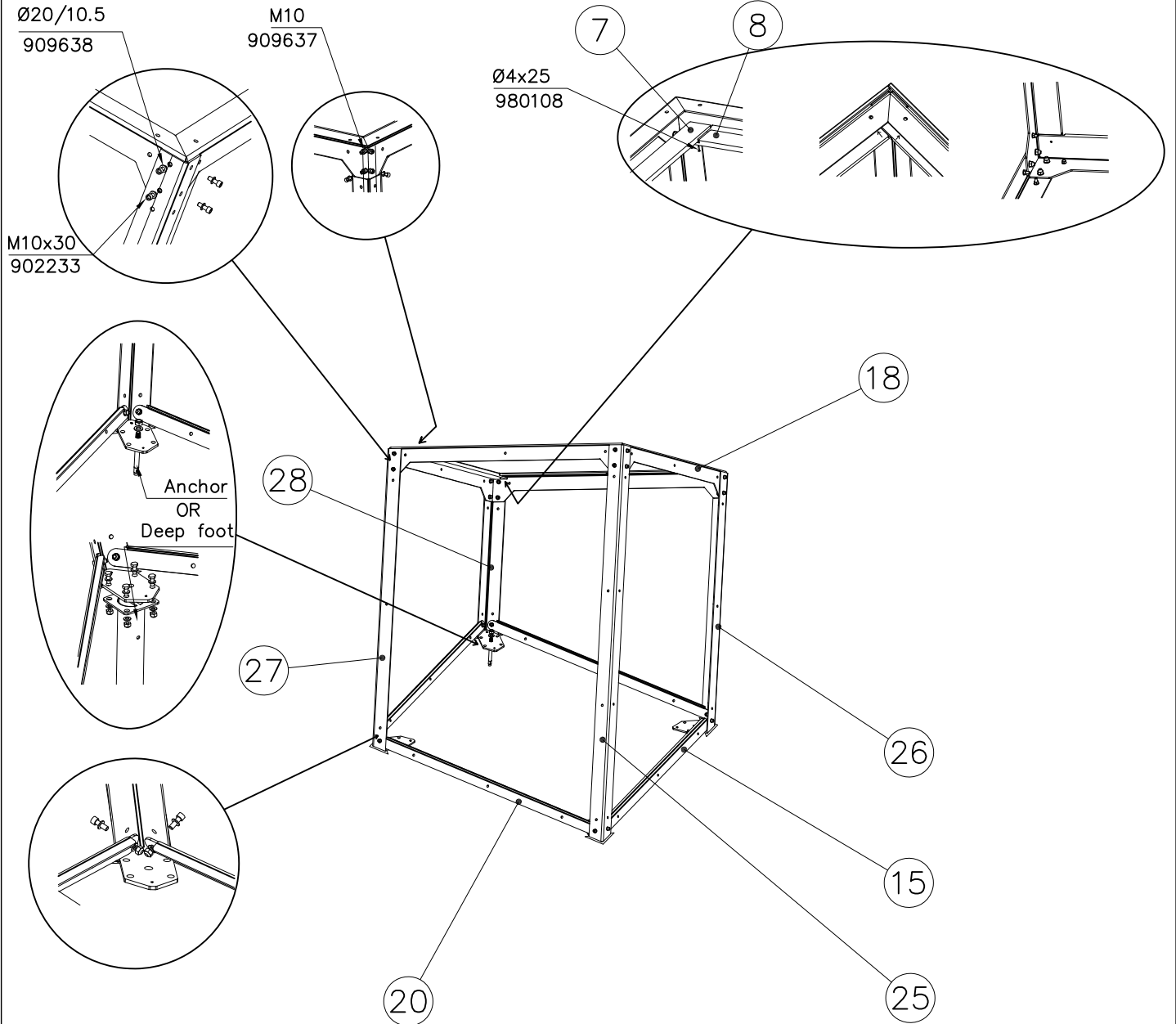
— EN Impact Attenuating Surface (IAS) 24.4 m²

- - - Falling Space 31 m²

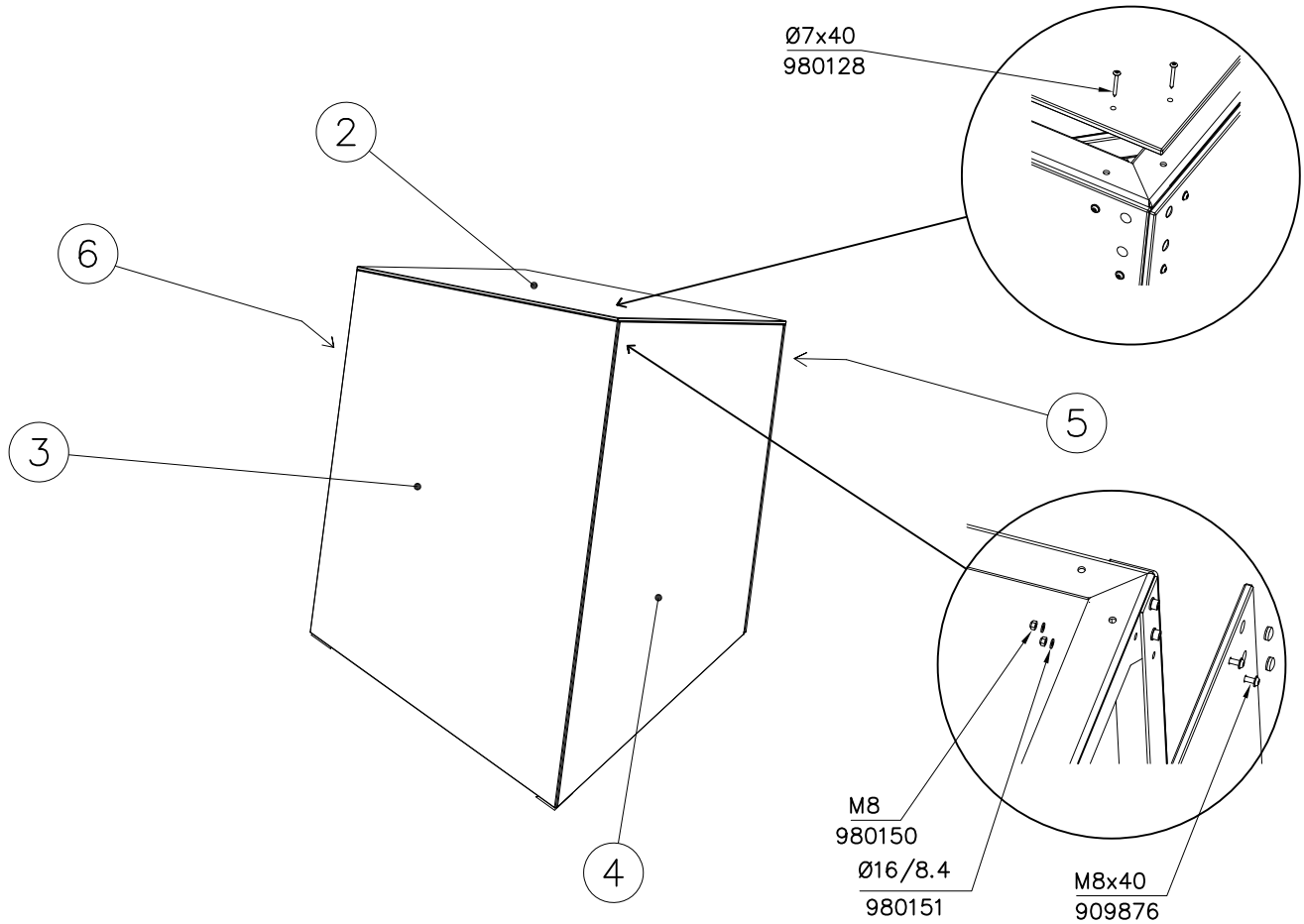
Max Falling Height 1740 mm



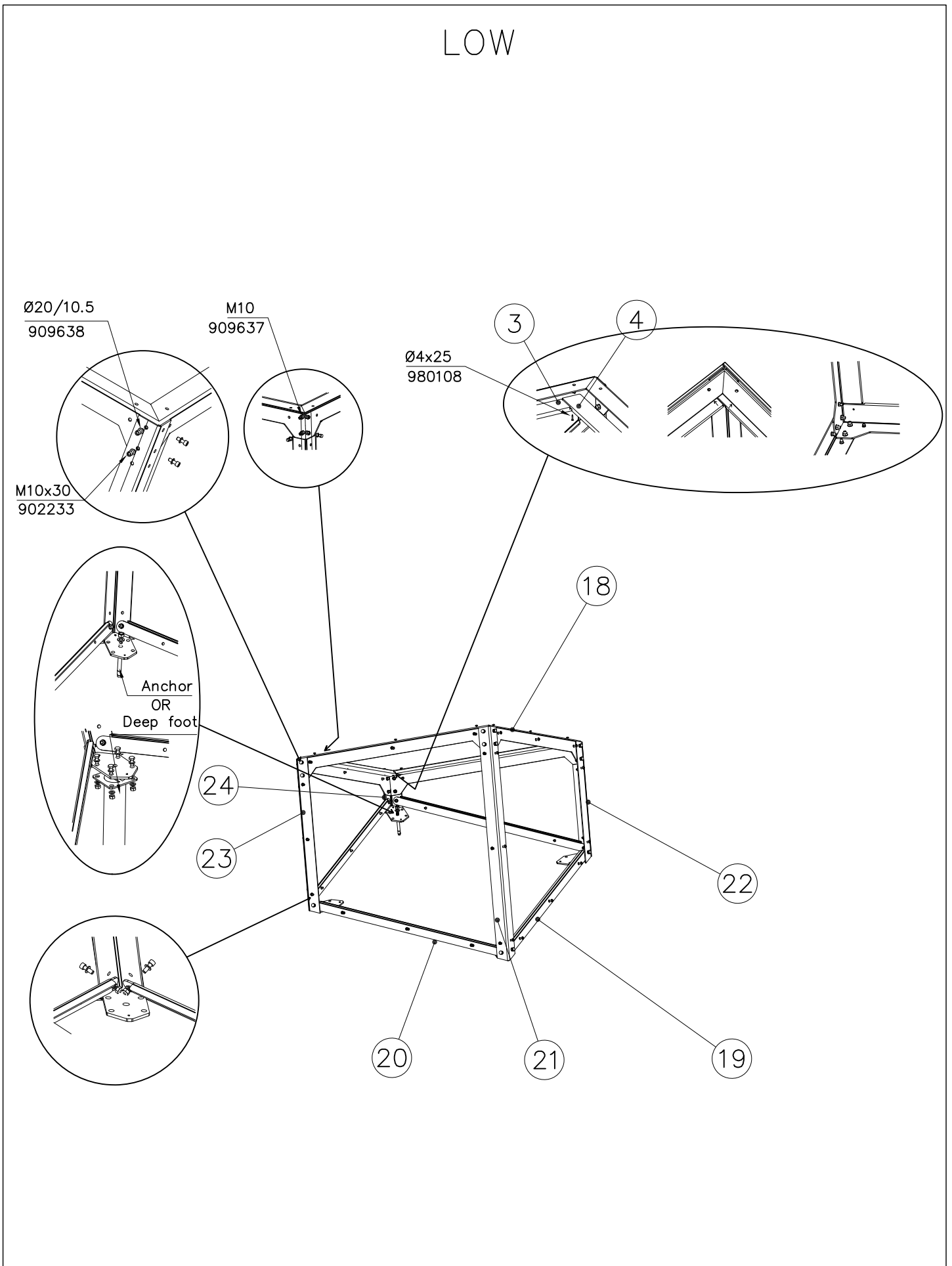
HIGH



HIGH

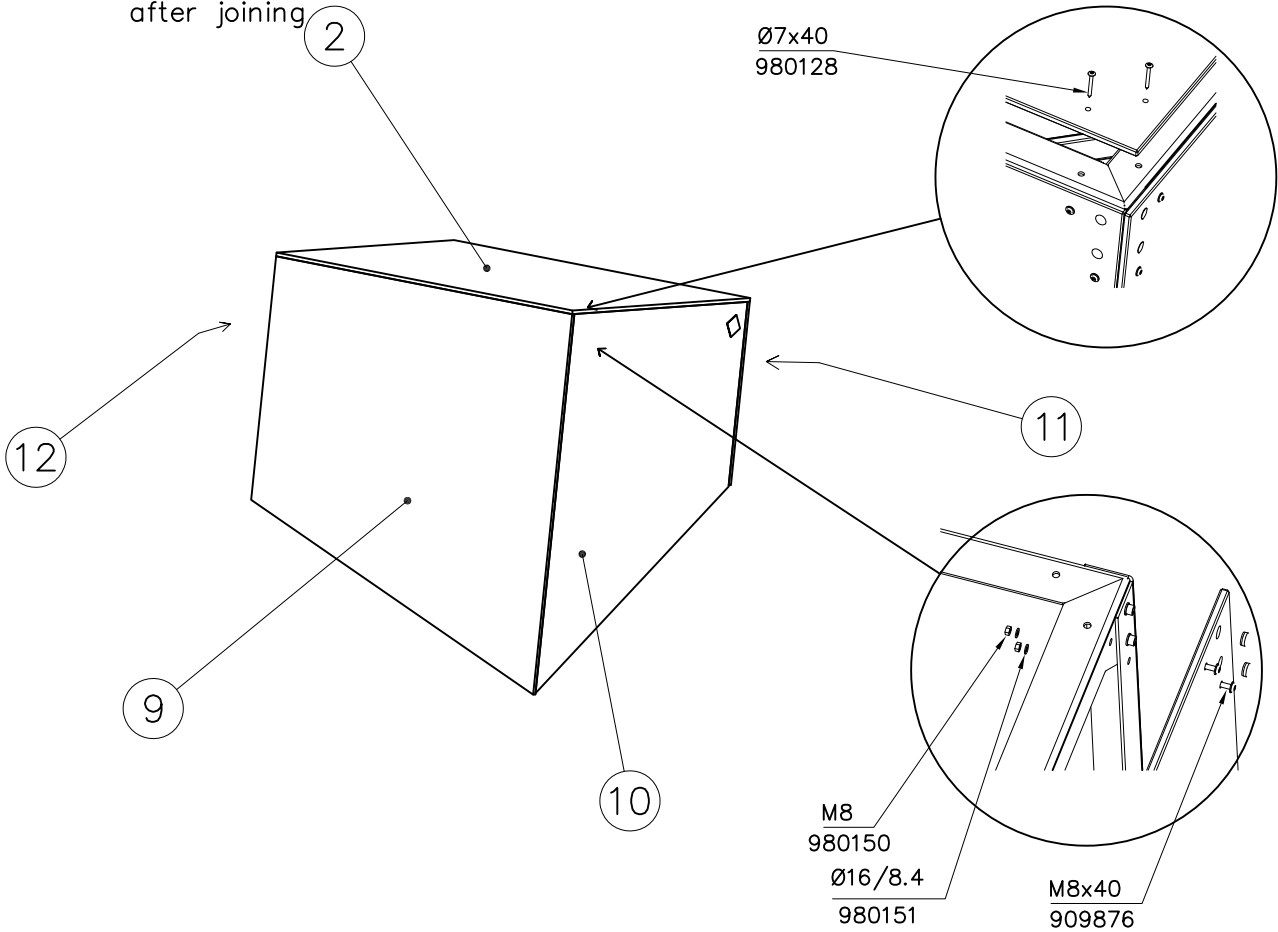


LOW

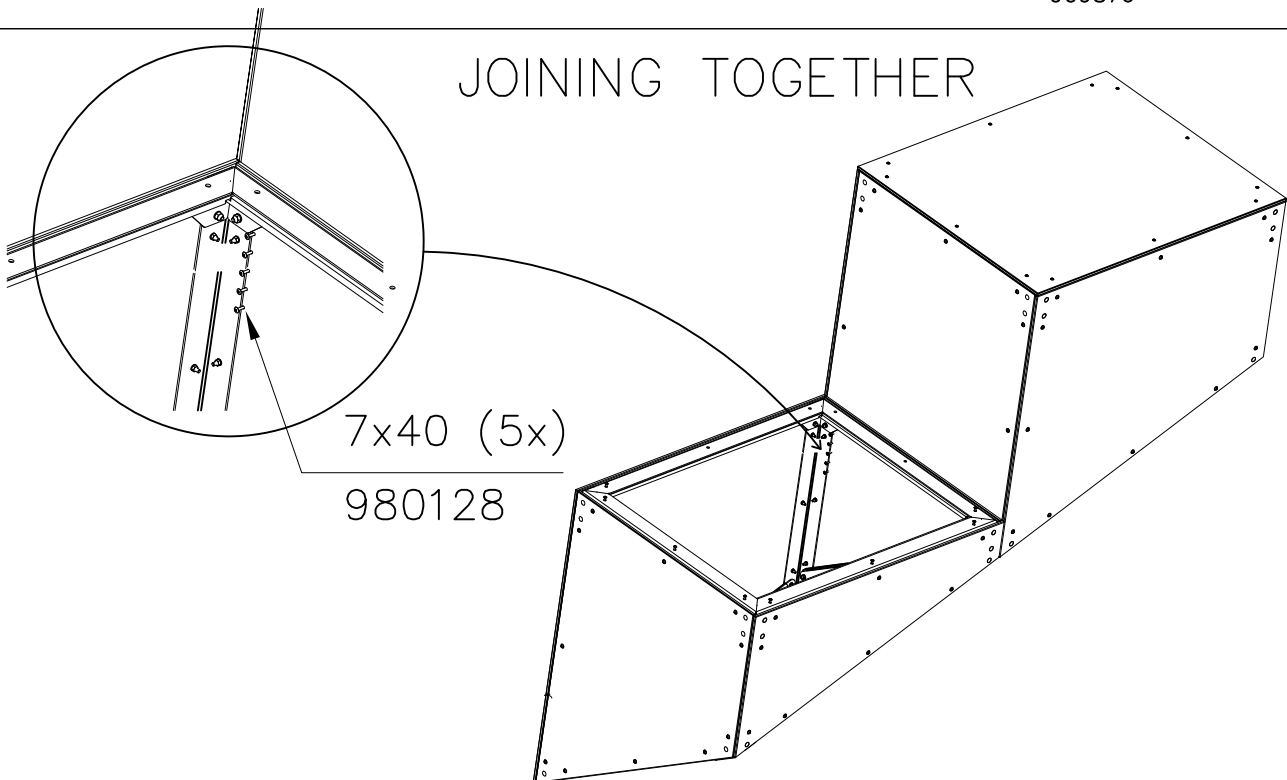


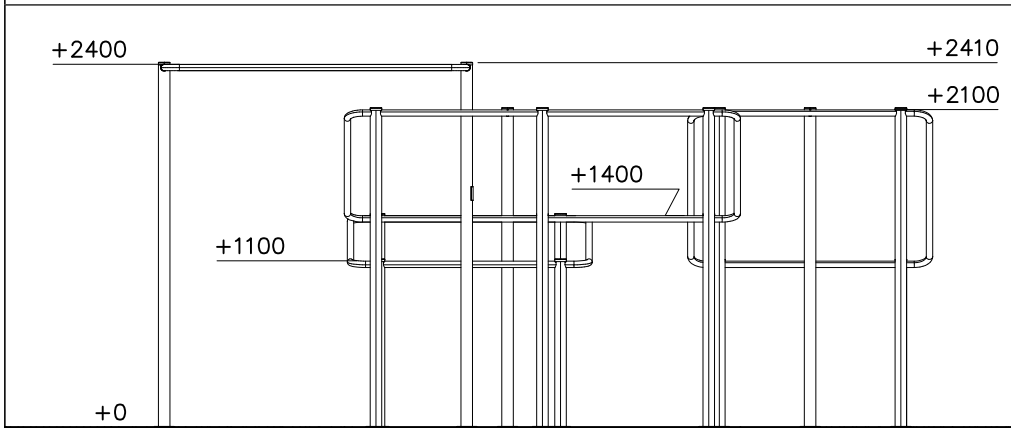
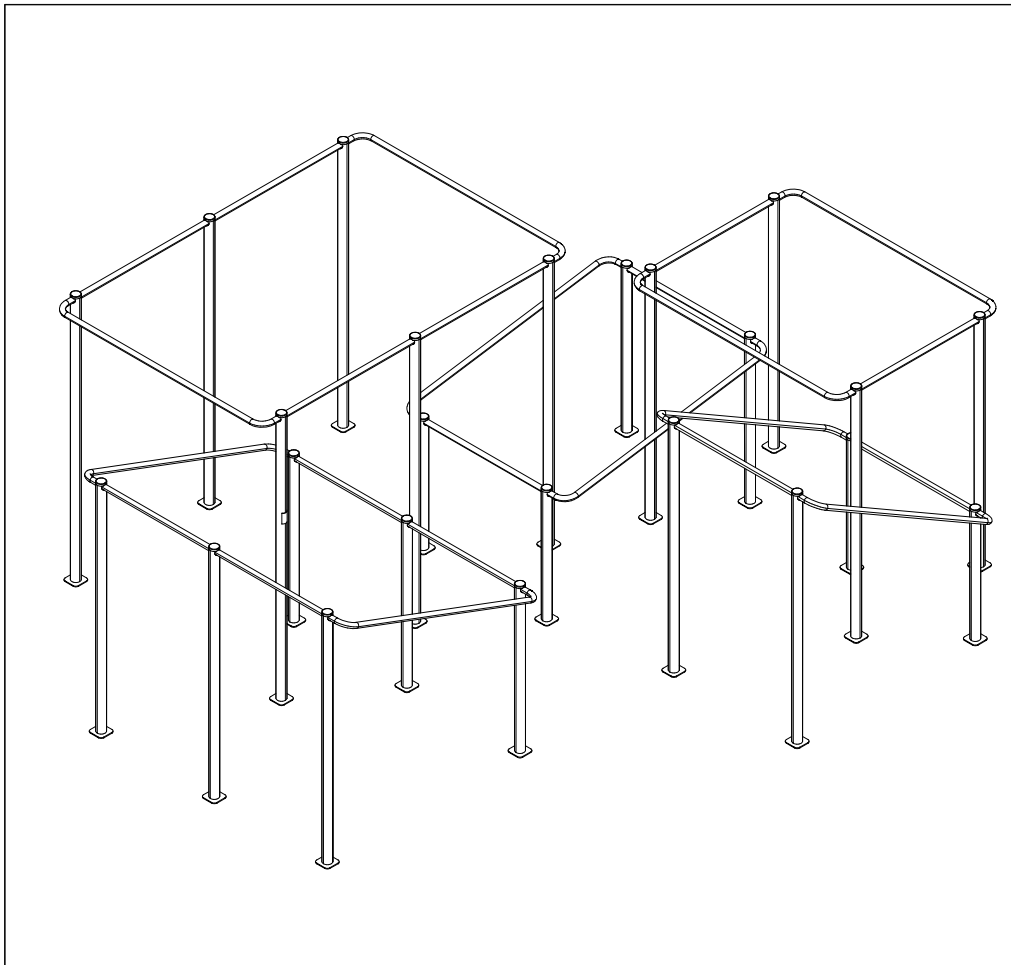
LOW

Install this plate last
after joining



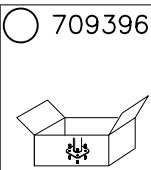
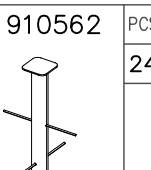
JOINING TOGETHER

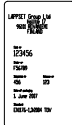

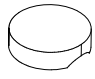

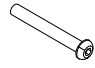


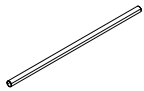


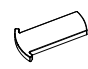
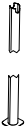



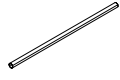


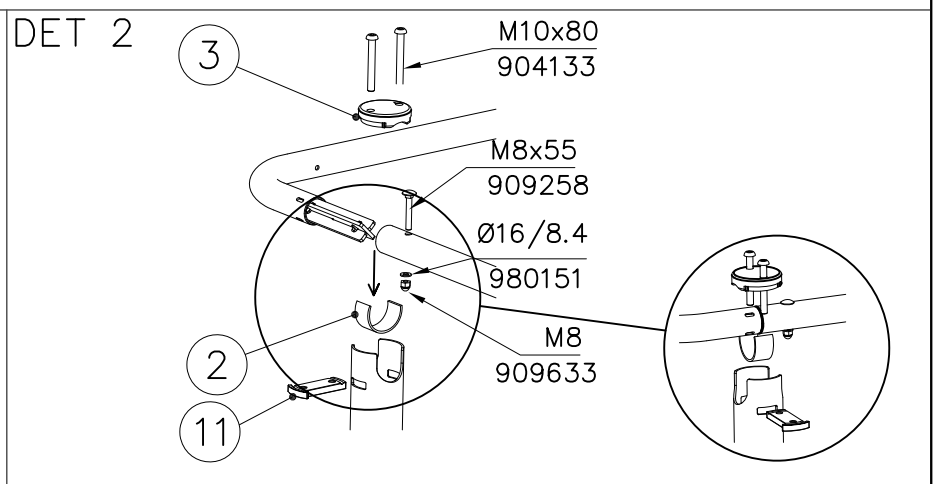
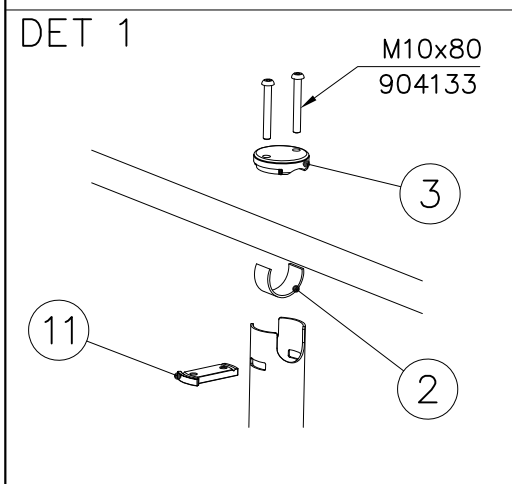
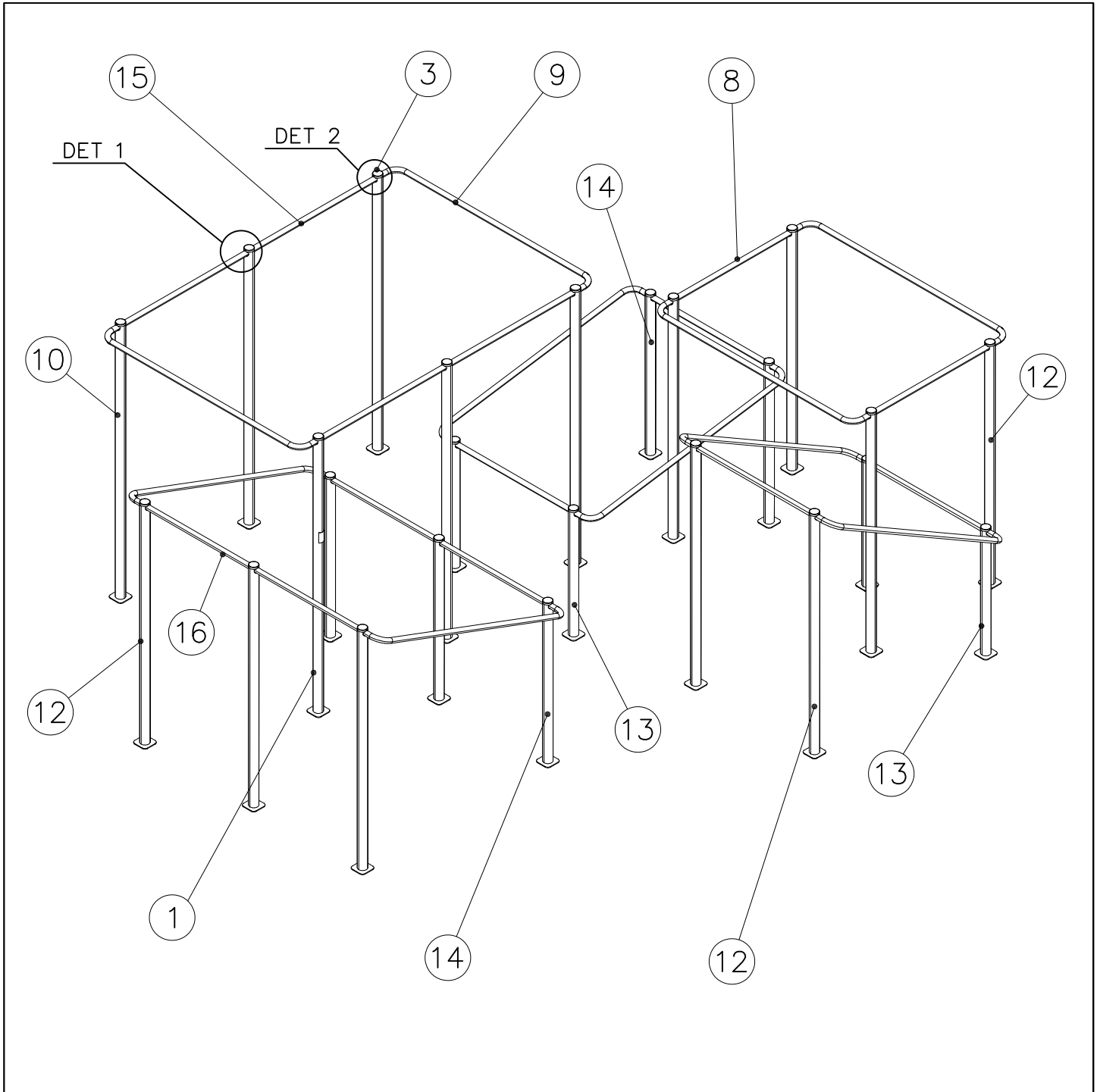


INSTALLING FOR SURFACE MOUNTING

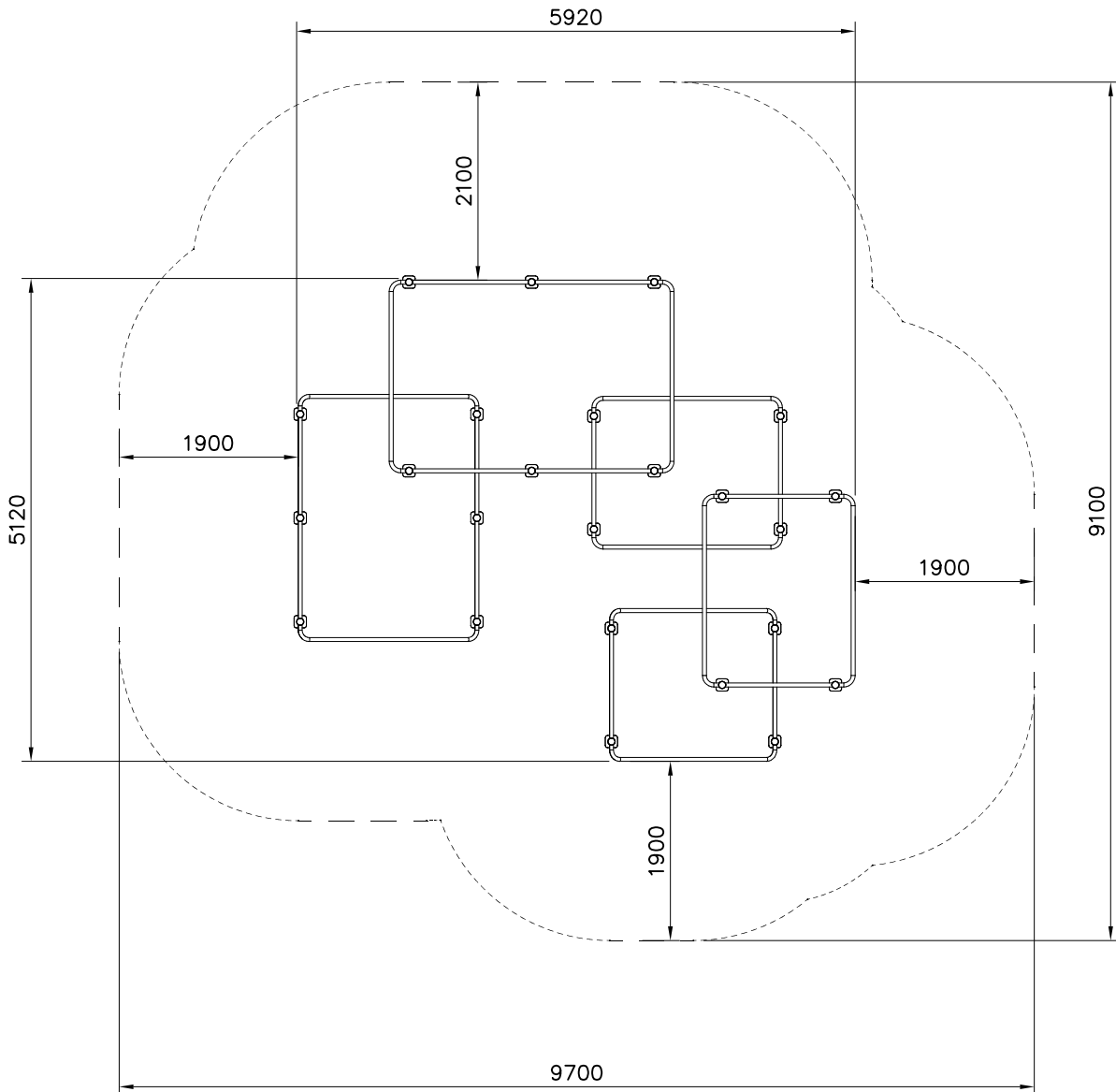
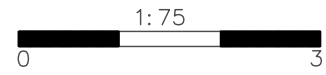
FOOT OPTION FOR DEEP MOUNTING

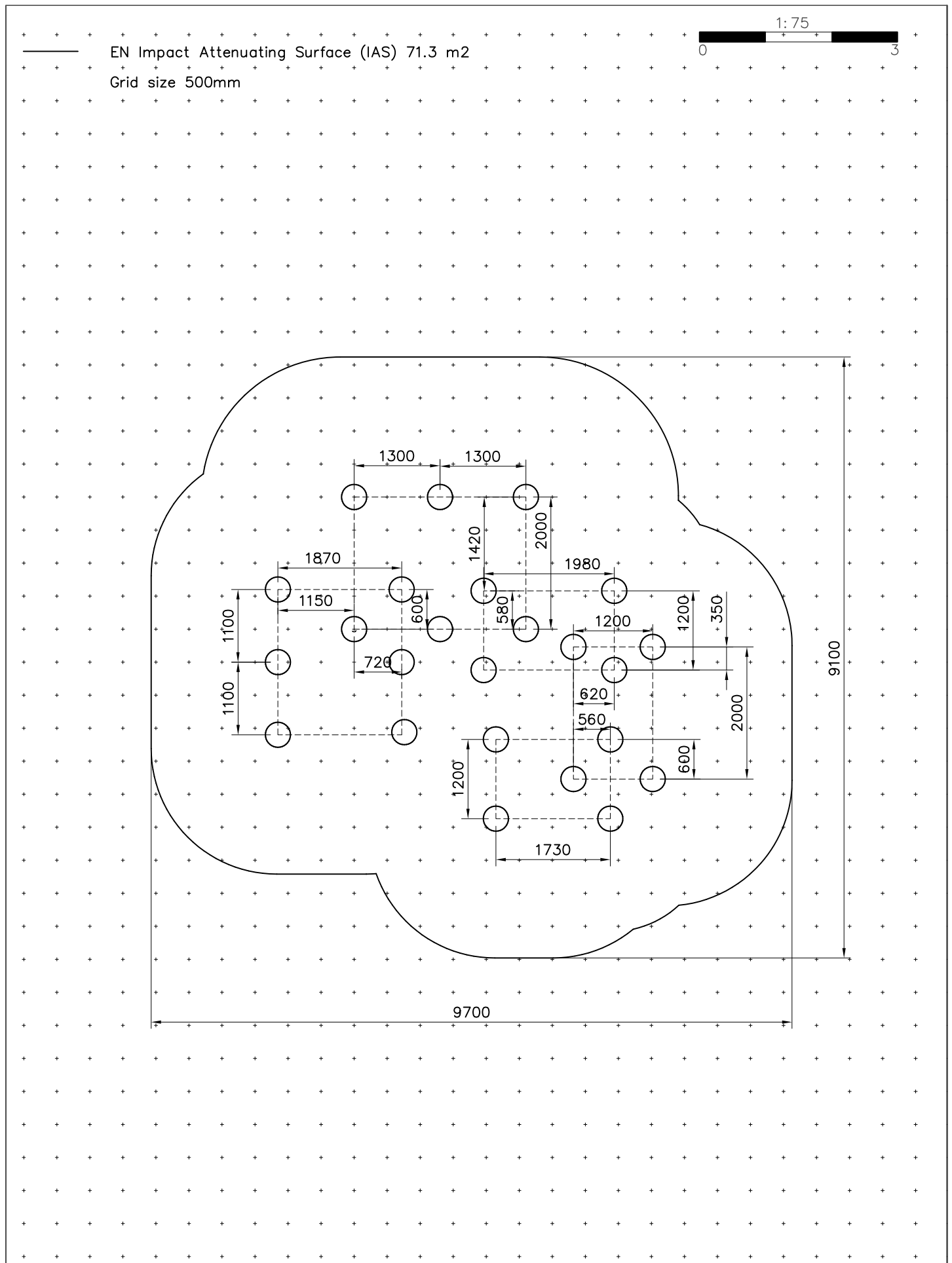
	709396	PCS	24
	910562	PCS	24
	L 600		

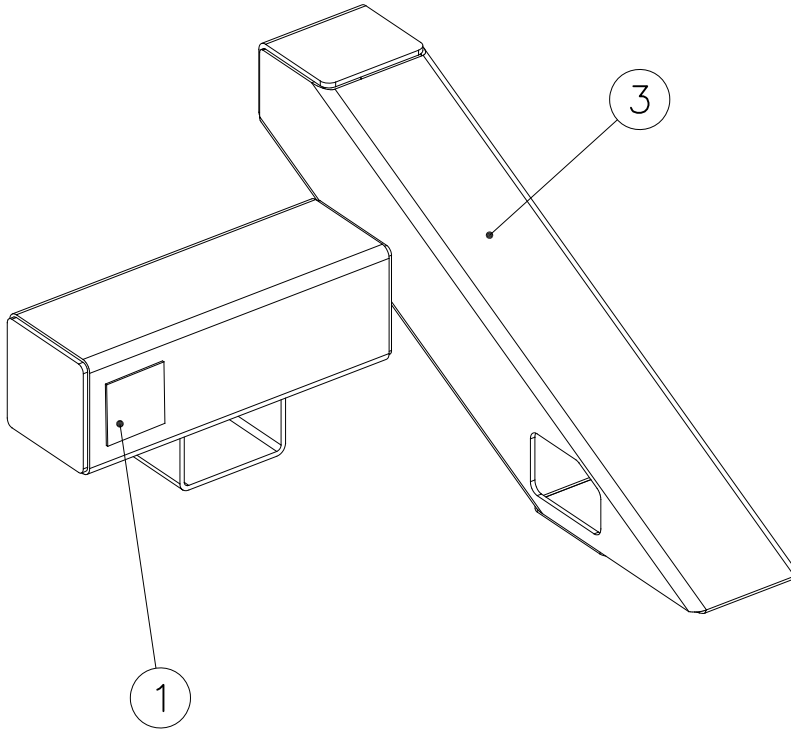
①	702341	PCS	1	②	704879	PCS	24
							
	90x50				3x30x120mm		
③	708880	PCS	24	④	980151	PCS	20
							
	Ø77x20				Ø16/8.4		
⑤	904133	PCS	48	⑥	909258	PCS	20
							
	M10x80				M8x55		
⑦	909633	PCS	20	⑧	910547	PCS	6
							
	M8				Ø42.4x1200		
⑨	910549	PCS	10	⑩	910556	PCS	6
							
	Ø42.4x286x2042				L 2400		
⑪	910557	PCS	24	⑫	910563	PCS	9
							
	10x45x87				L 2100		
⑬	910564	PCS	4	⑭	910565	PCS	5
							
	L 1100				L 1400		
⑮	910704	PCS	2	⑯	910548	PCS	2
							
	Ø42.4x2600				Ø42.4x2200		

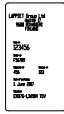

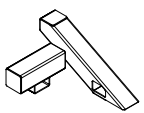


- EN Impact Attenuating Surface (IAS) 71.3 m²
- - - Falling Space 71.3 m²
- Max Falling Height 2410 mm



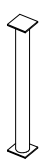


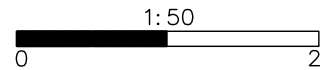


① 702341	PCS	② 709381	PCS
	1		2
 90x50		 SURFACE	
③ 910220		PCS	1
 300x470x662			

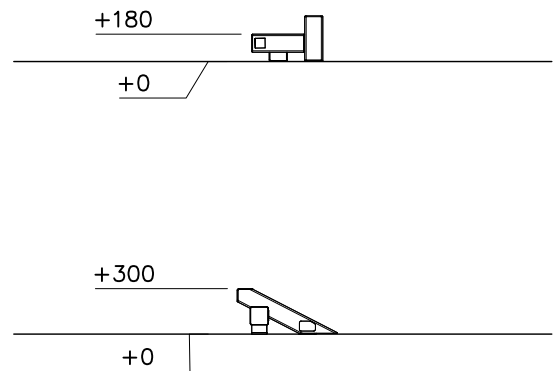
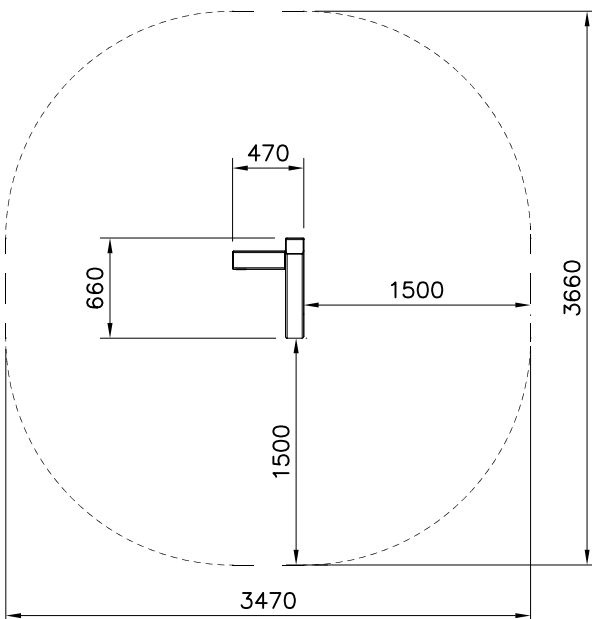
FOOT OPTION FOR DEEP MOUNTING

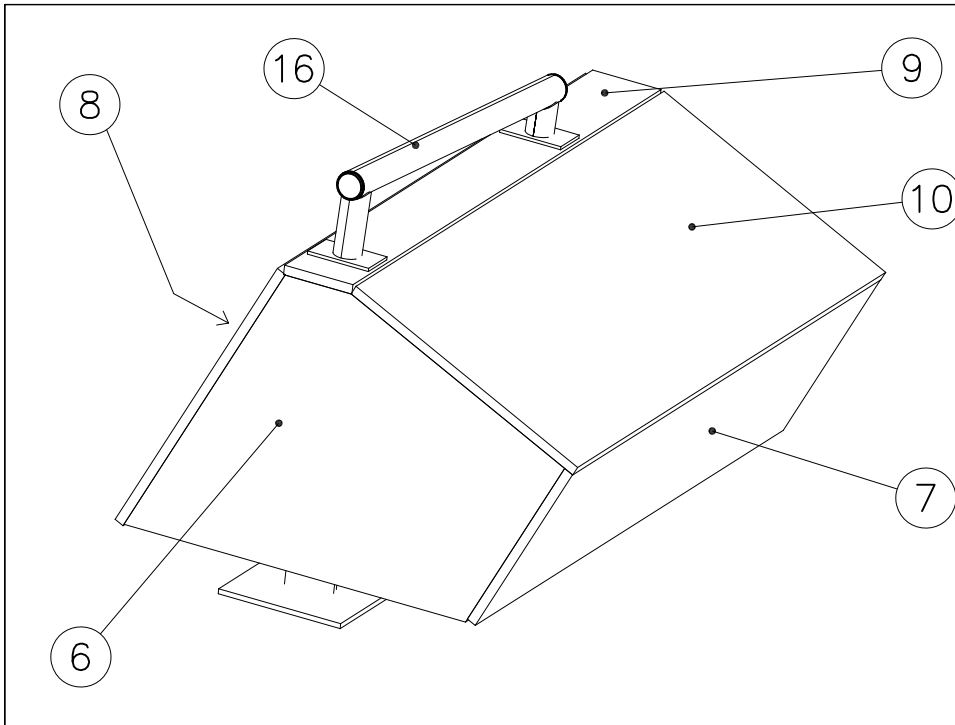
709379+

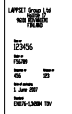

○ 902564	PCS
 L 550	2

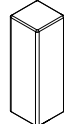
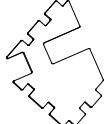


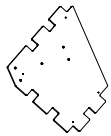
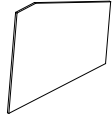
----- Falling Space 10.8 m²
Max Falling Height 300 mm

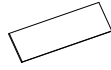
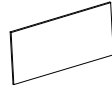



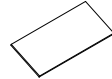




① 702341	PCS	② 708109	PCS
	1		2
90x50		118x118x697	


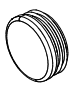
③ 708443	PCS	④ 708848	PCS
	2		2
118x118x352		18x450x690	

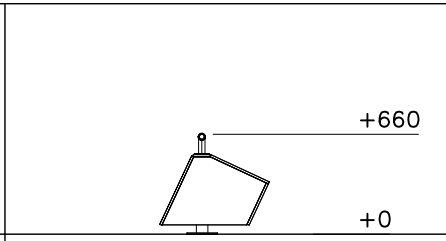
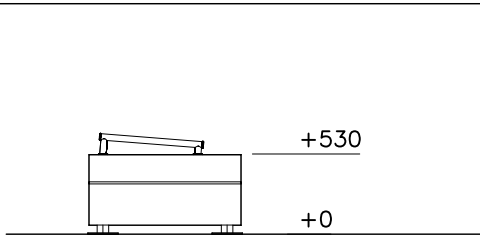
⑤ 708849	PCS	⑥ 708850	PCS
	2		2
18x450x690		15x450x690	

⑦ 708851	PCS	⑧ 708852	PCS
	1		1
15x300x1005		15x500x1005	

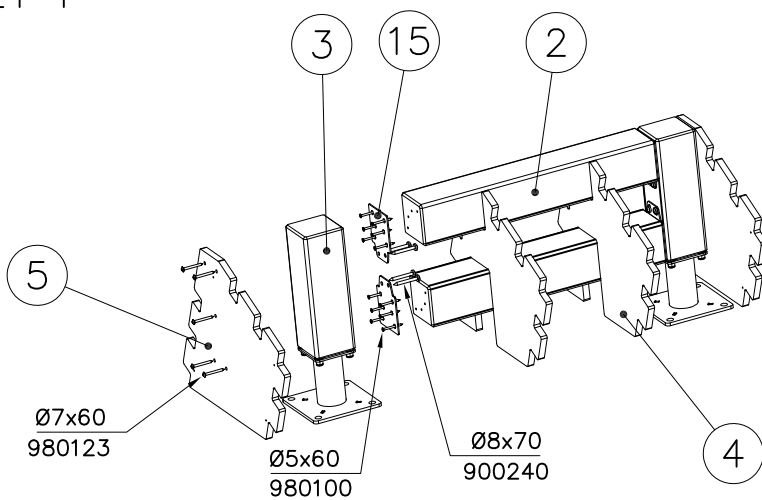
⑨ 708853	PCS	⑩ 708854	PCS
	1		1
15x112x1005		15x425x1005	

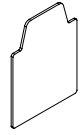
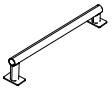

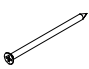


⑪ 708855	PCS	⑫ 900240	PCS
	8		8
45x45x975		Ø8x70	

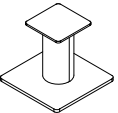

⑬ 903093	PCS	⑭ 908371	PCS
	4		2
Ø8x90		42-38/40	

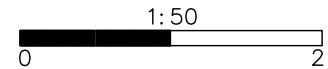
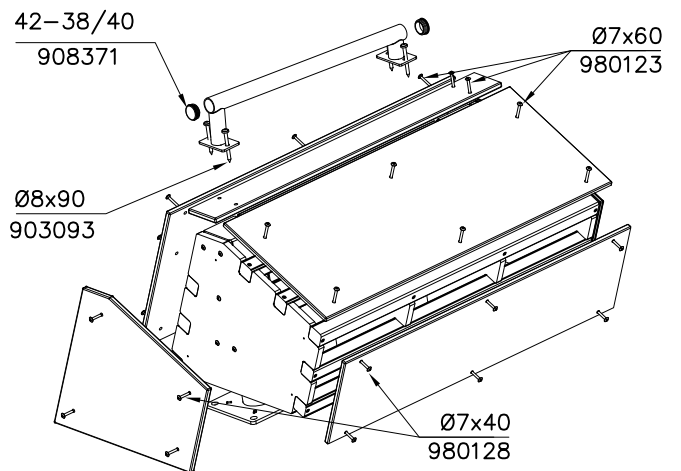
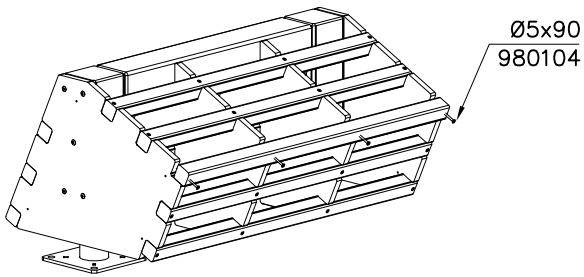
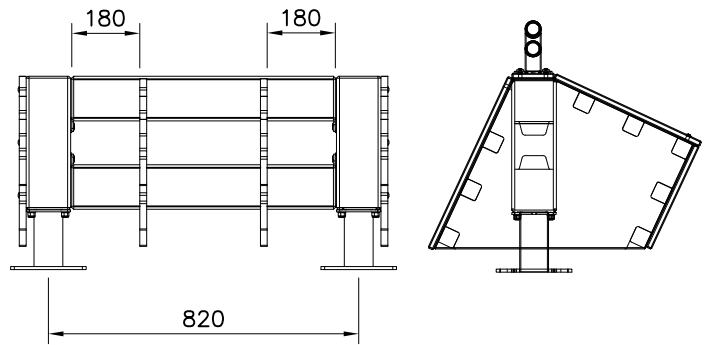


DET 1

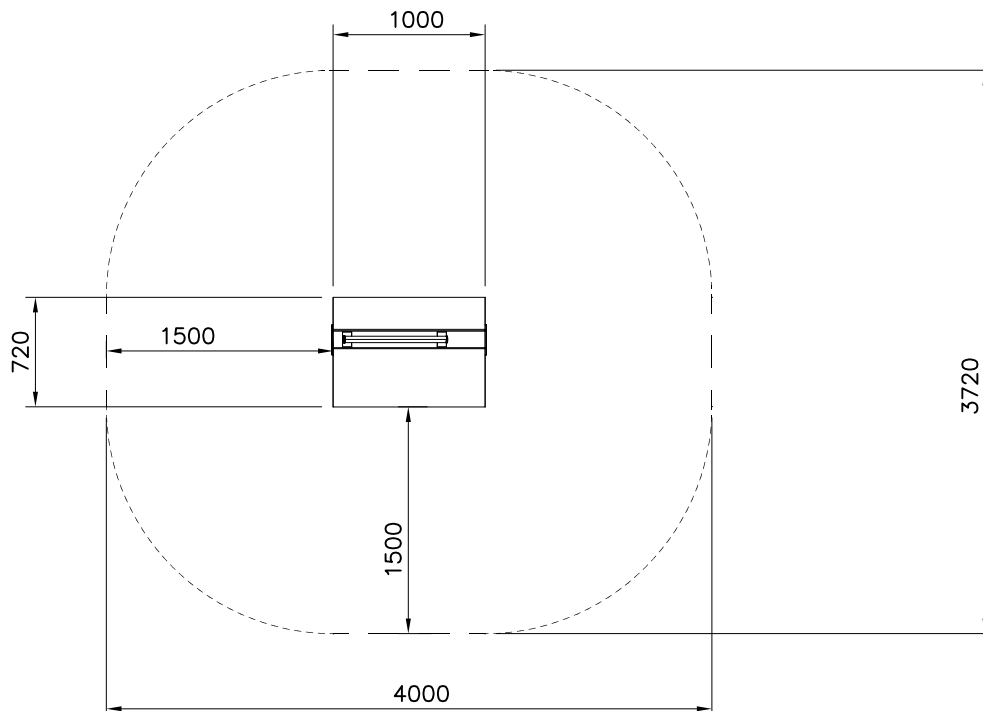


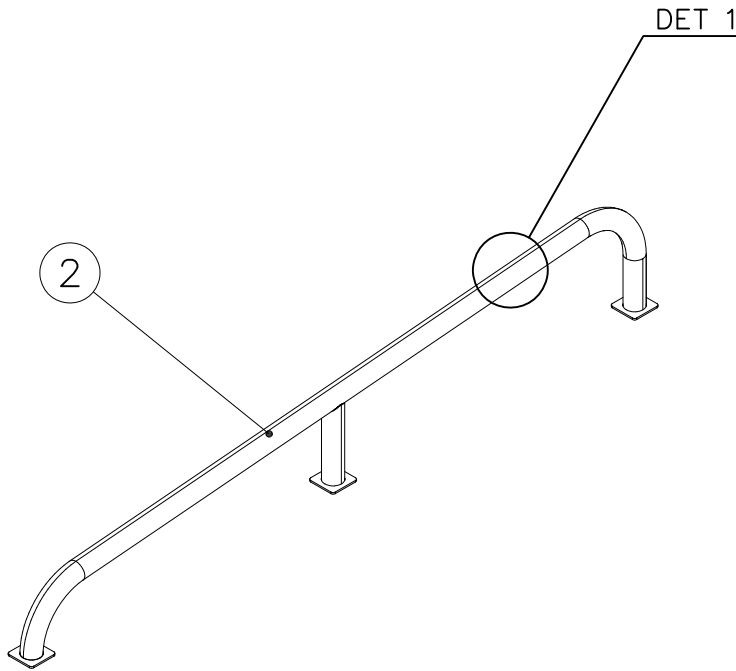
⑮ 908698	PCS	⑯ 910056	PCS	⑰ 980100	PCS	⑱ 980104	PCS	⑲ 980123	PCS	⑳ 980128	PCS
	4		1		24		32		27		14
3x114x108		140x690		Ø5x60		Ø5x90		Ø7x60		Ø7x40	

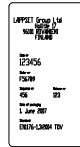
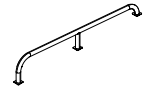

709261+		709262+	
○ 910330	PCS	○ 910567	PCS
SURFACE	2	CONCRETE	2
			
152x200x200		117x117x715	



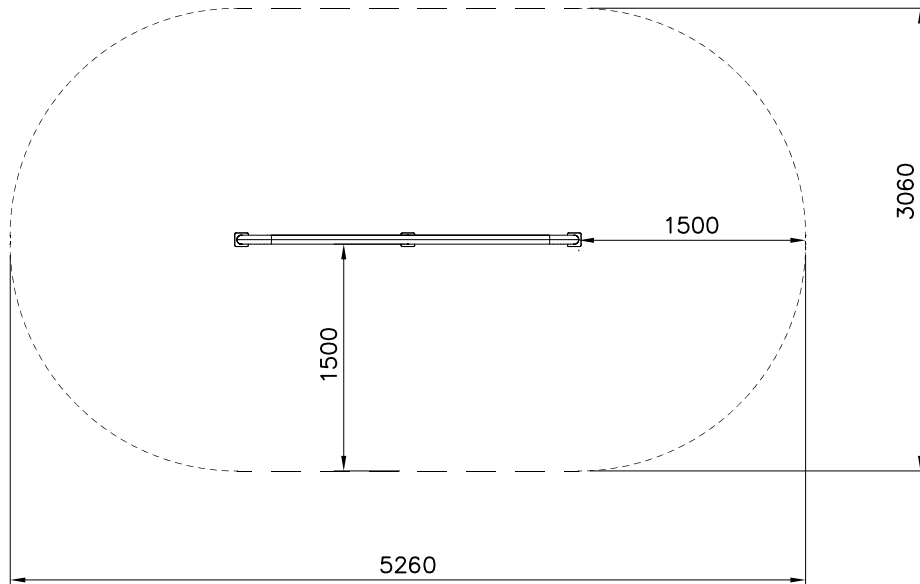
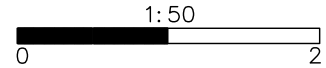
----- Falling Space 13 m²
 Max Falling Height 660 mm

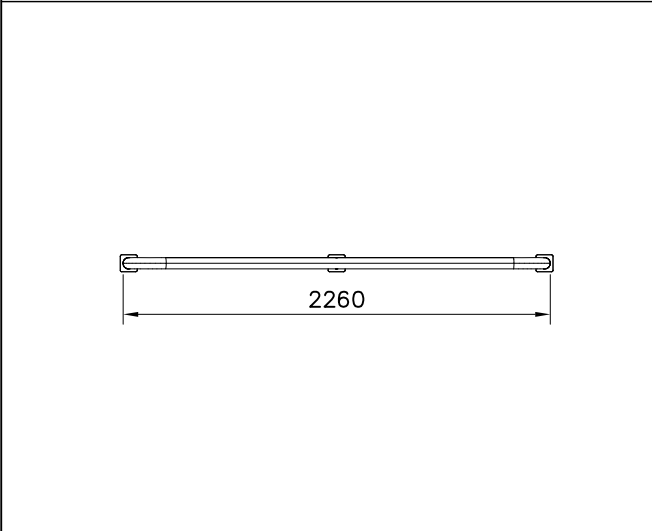
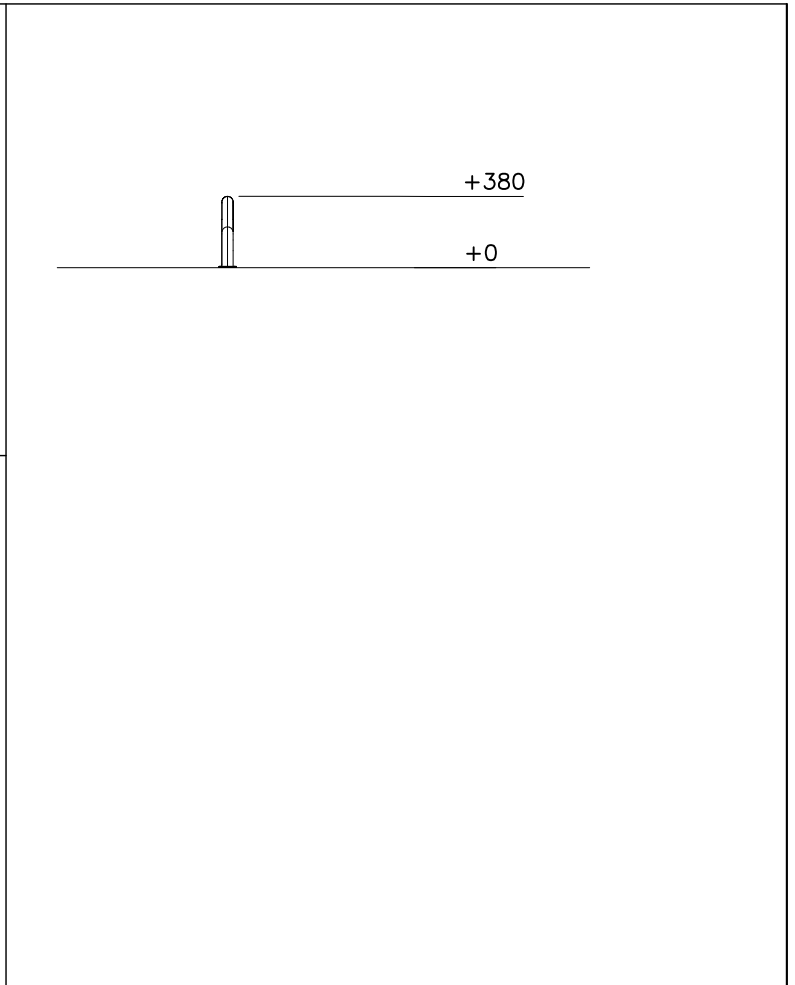
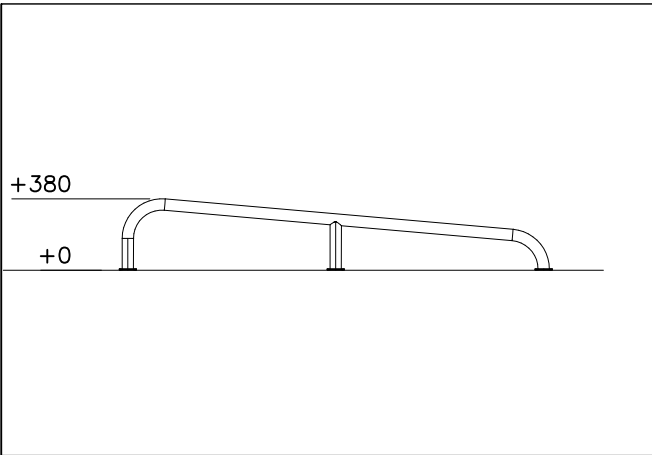




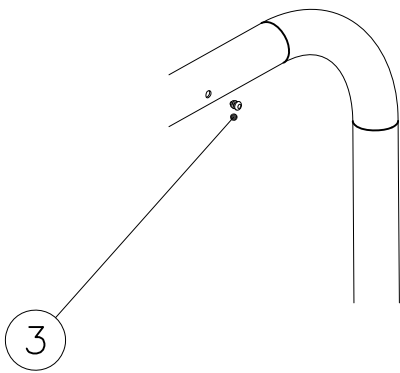
① 702341	PCS	② 910253	PCS
	1		1
90x50		Ø60x376x2290	
③ 903533	PCS		PCS
	4		
SRL12			

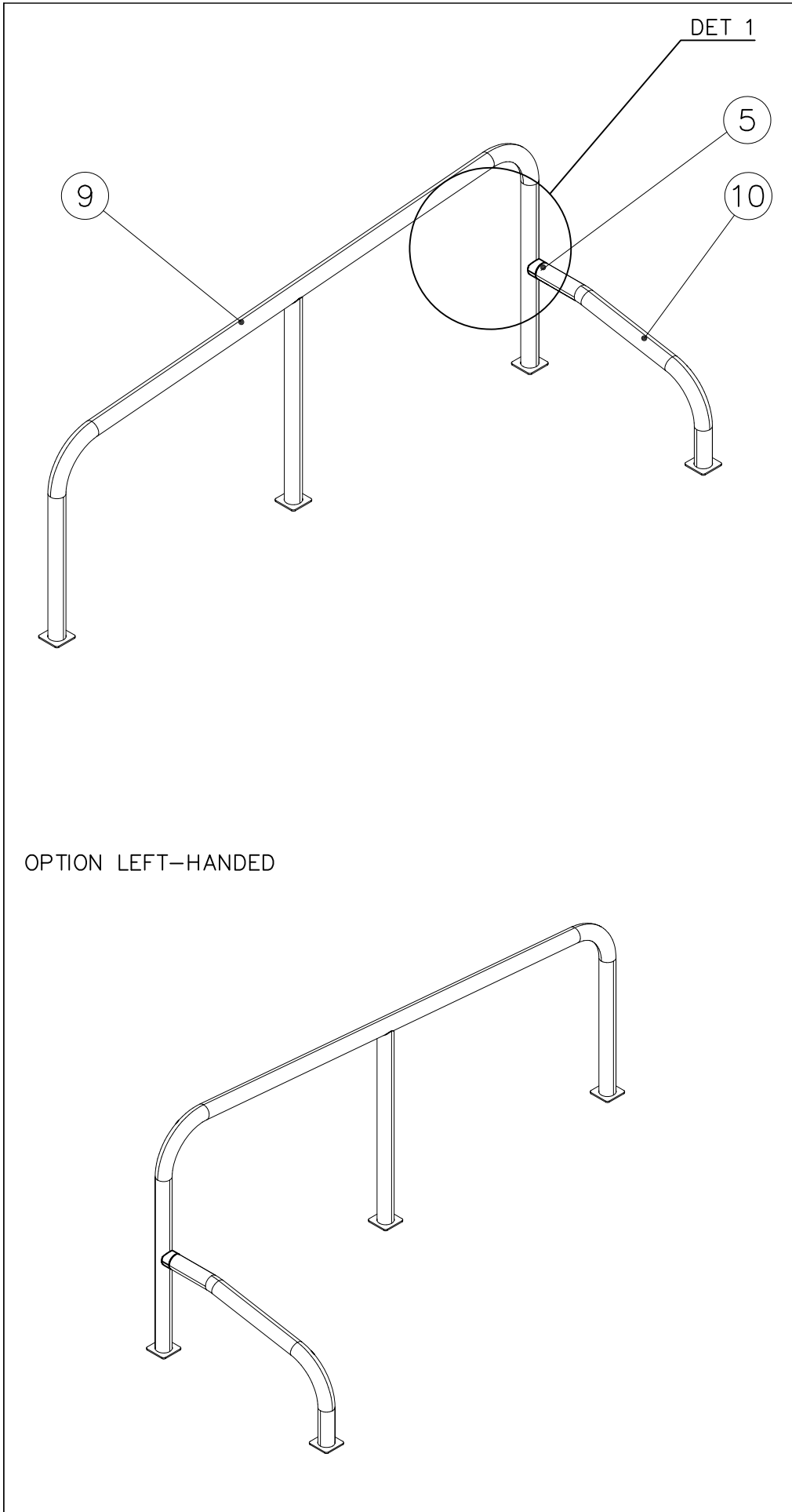
----- Falling Space 14.2 m²
Max Falling Height 380 mm






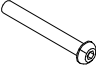
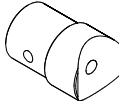
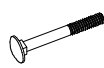


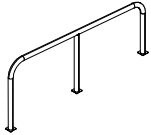




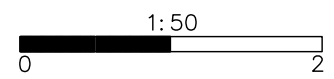
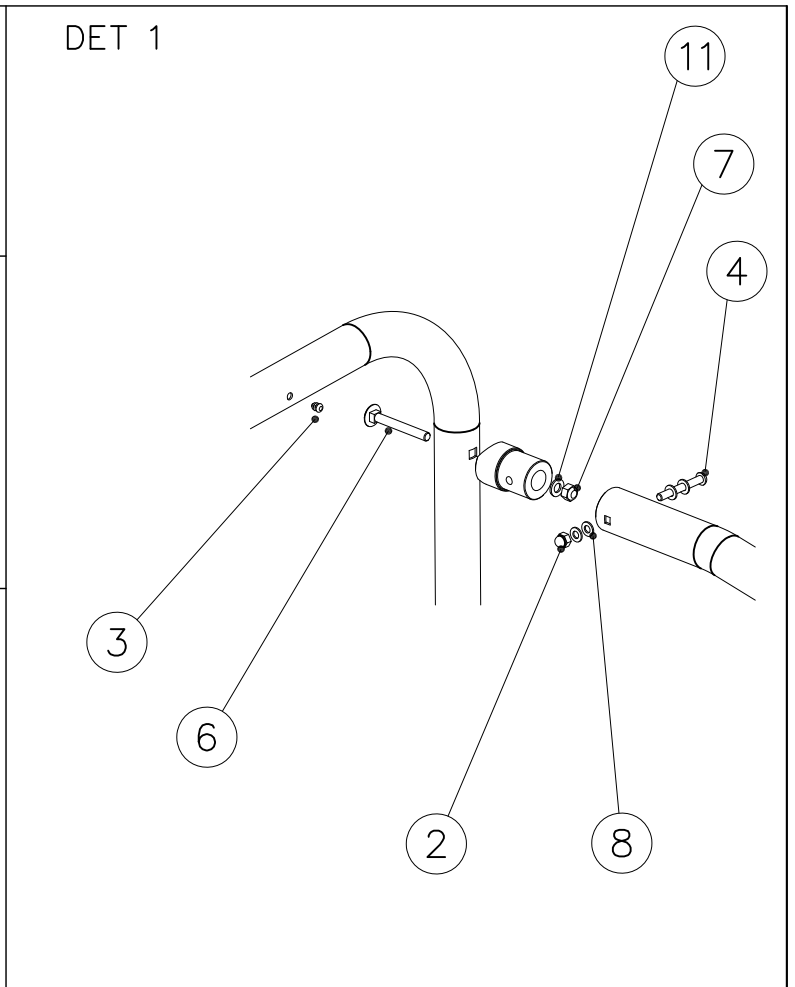
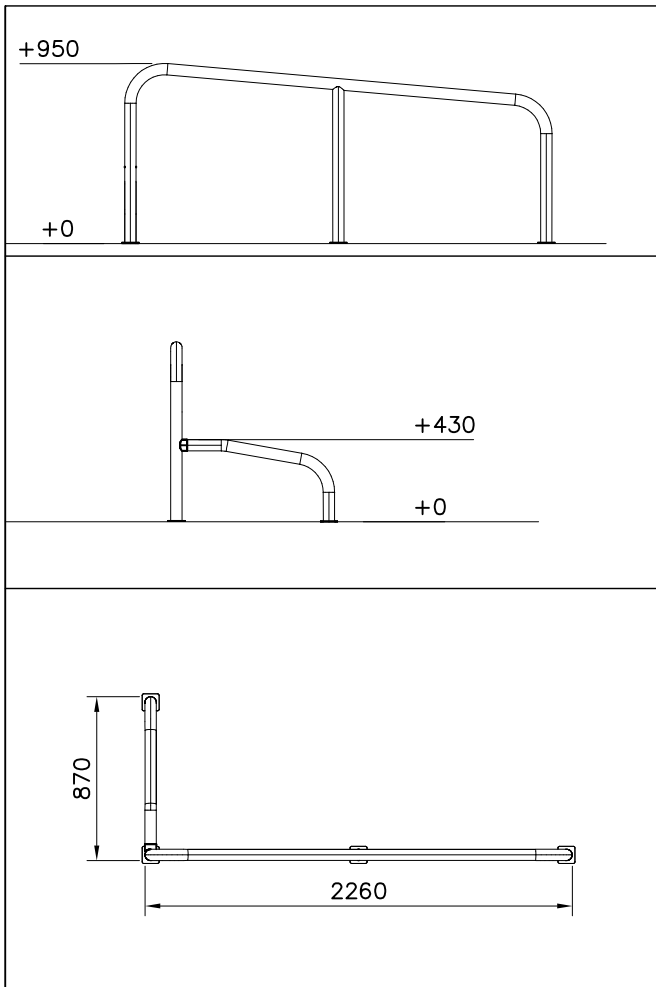
DET 1



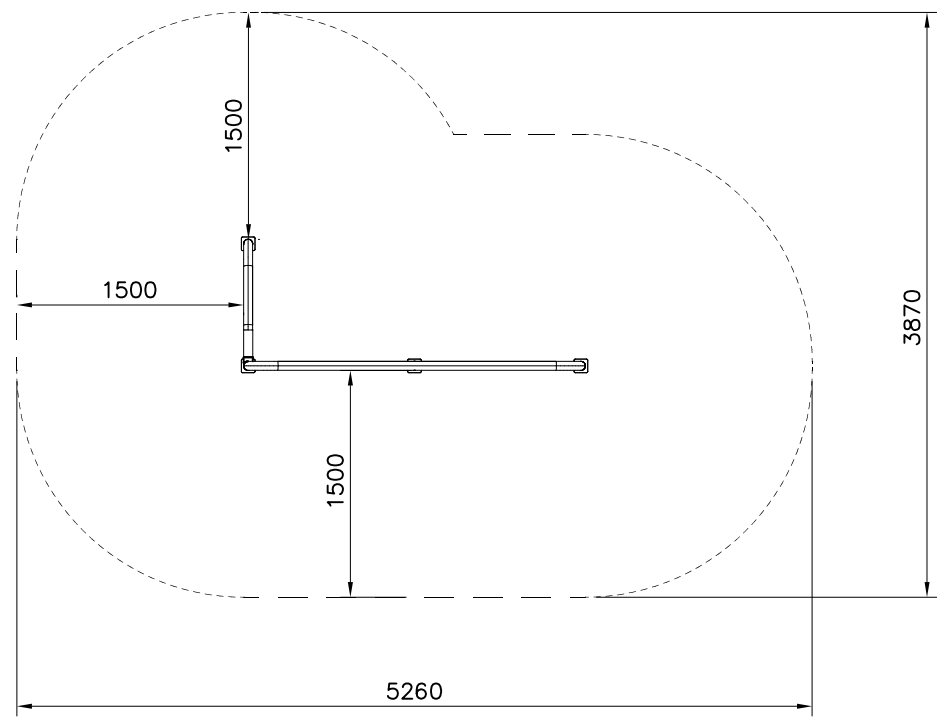


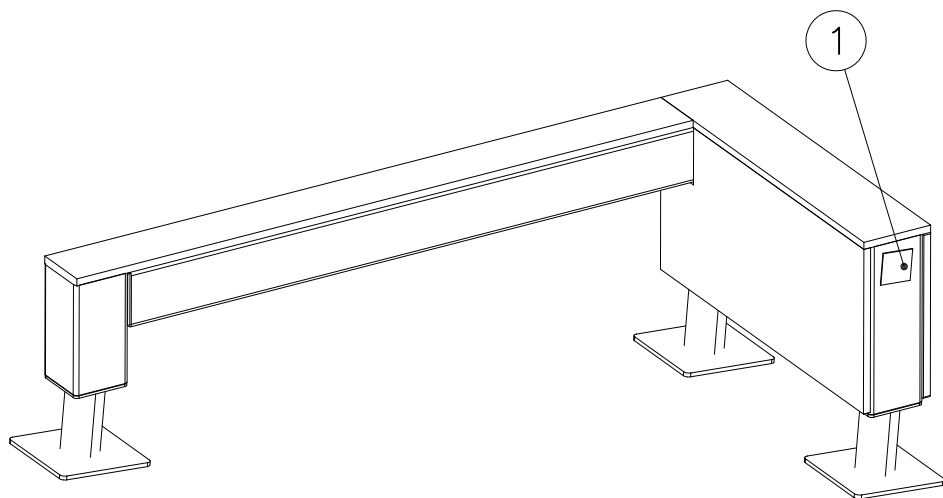
OPTION LEFT-HANDED

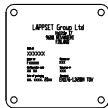
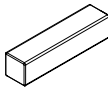


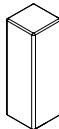
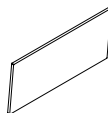
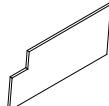
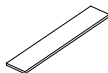


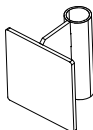




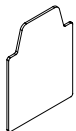
①	702341	PCS	②	900965	PCS
		1			1
	90x50		M10		
③	903533	PCS	④	904133	PCS
		4			1
	SRL12		M10x80		
⑤	908069	PCS	⑥	909111	PCS
		1			1
	Ø60x87.6		M12x100		
⑦	909248	PCS	⑧	909638	PCS
		1			4
	M12		Ø20/10.5		
⑨	910255	PCS	⑩	910262	PCS
		1			1
	Ø60x950x2290		Ø60x435x795		
⑪	980154	PCS			PCS
		1			
	Ø24/13				



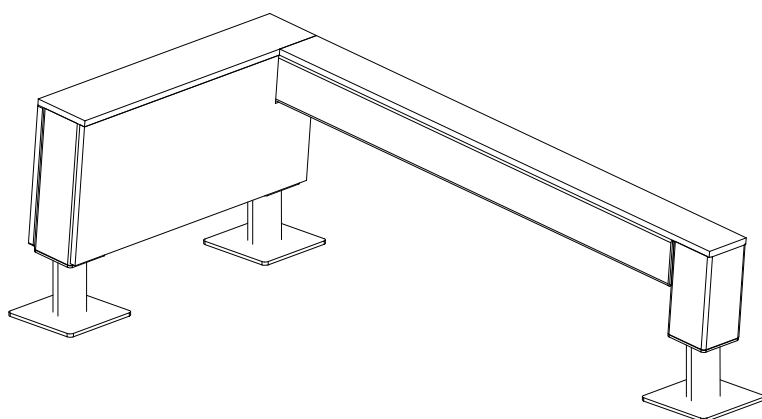
----- Falling Space 16.2 m²
Max Falling Height 950 mm








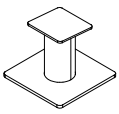
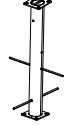
① 702286	PCS	② 707210	PCS
	1		2
65x65		118x118x503	
③ 707212	PCS	④ 708347	PCS
	1		1
118x118x1254		118x118x231	
⑤ 708443	PCS	⑥ 708727	PCS
	2		1
118x118x352		15x346x745	
⑦ 708730	PCS	⑧ 708733	PCS
	1		1
15x346x745		15x148x745	
⑨ 708734	PCS	⑩ 708857	PCS
	1	JIG	1
15x118x1365			
		20x133x149	
⑪ 910266	PCS	⑫ 900240	PCS
	2		16
90x108x118		Ø8x70	
⑬ 903093	PCS	⑭ 905103	PCS
	4		2
Ø8x90		PT-28/32-H	
⑮ 905112	PCS	⑯ 908698	PCS
	4		4
Ø22		3x114x108	

INSTALLATION OF A SECOND HAND

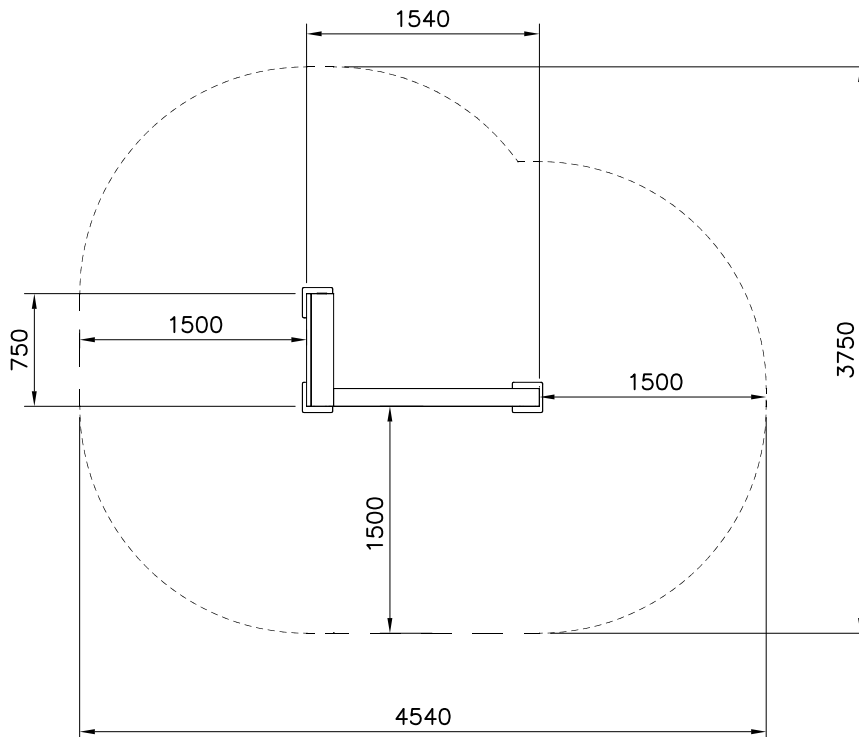
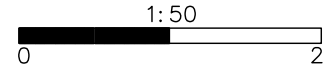


17	980100	PCS	18	980114	PCS	19	980123	PCS
		28			4			25
								
	Ø5x60			Ø4x20			Ø7x60	

FOOT OPTIONS

709261+		709262+	
910267	PCS	910567	PCS
SURFACE	3	CONCRETE	3
			
152x200x200		117x117x715	

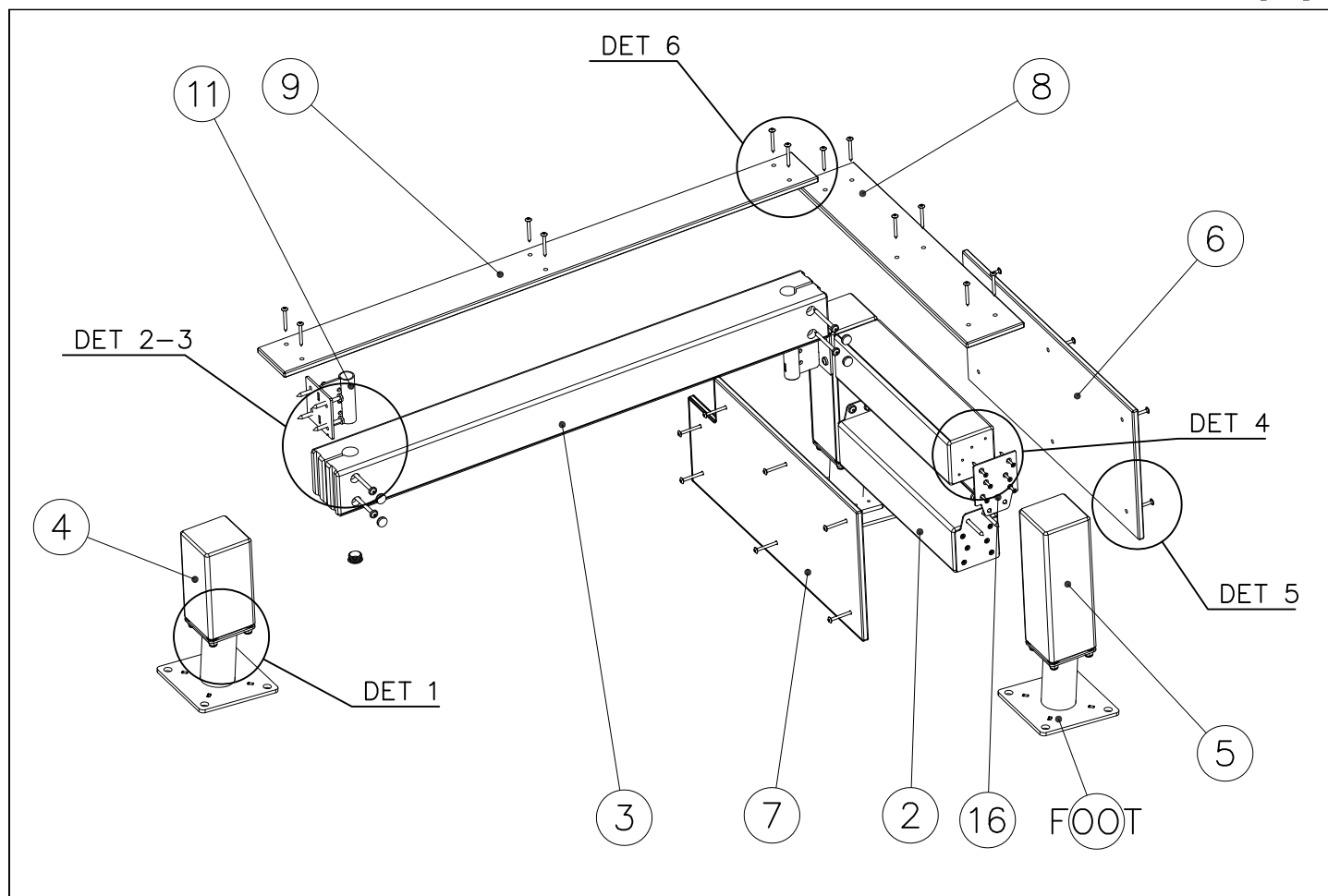
----- Falling Space 13.8 m²
Max Falling Height 530 mm

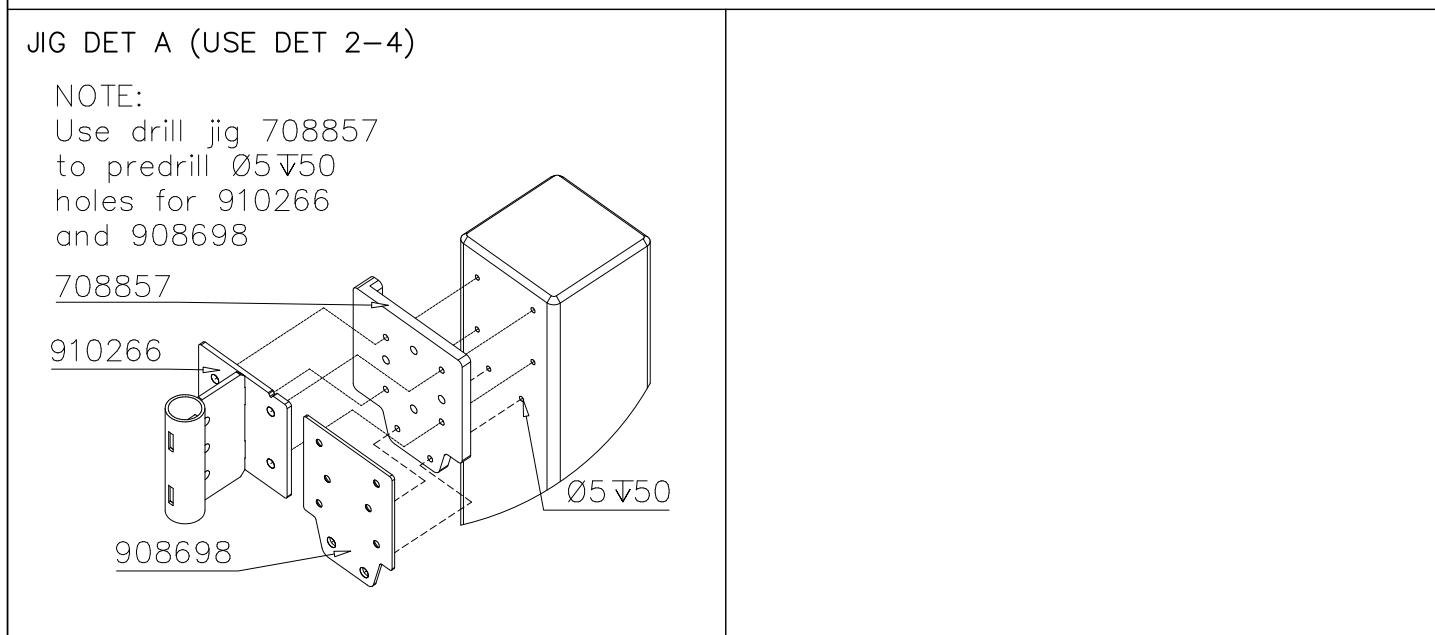
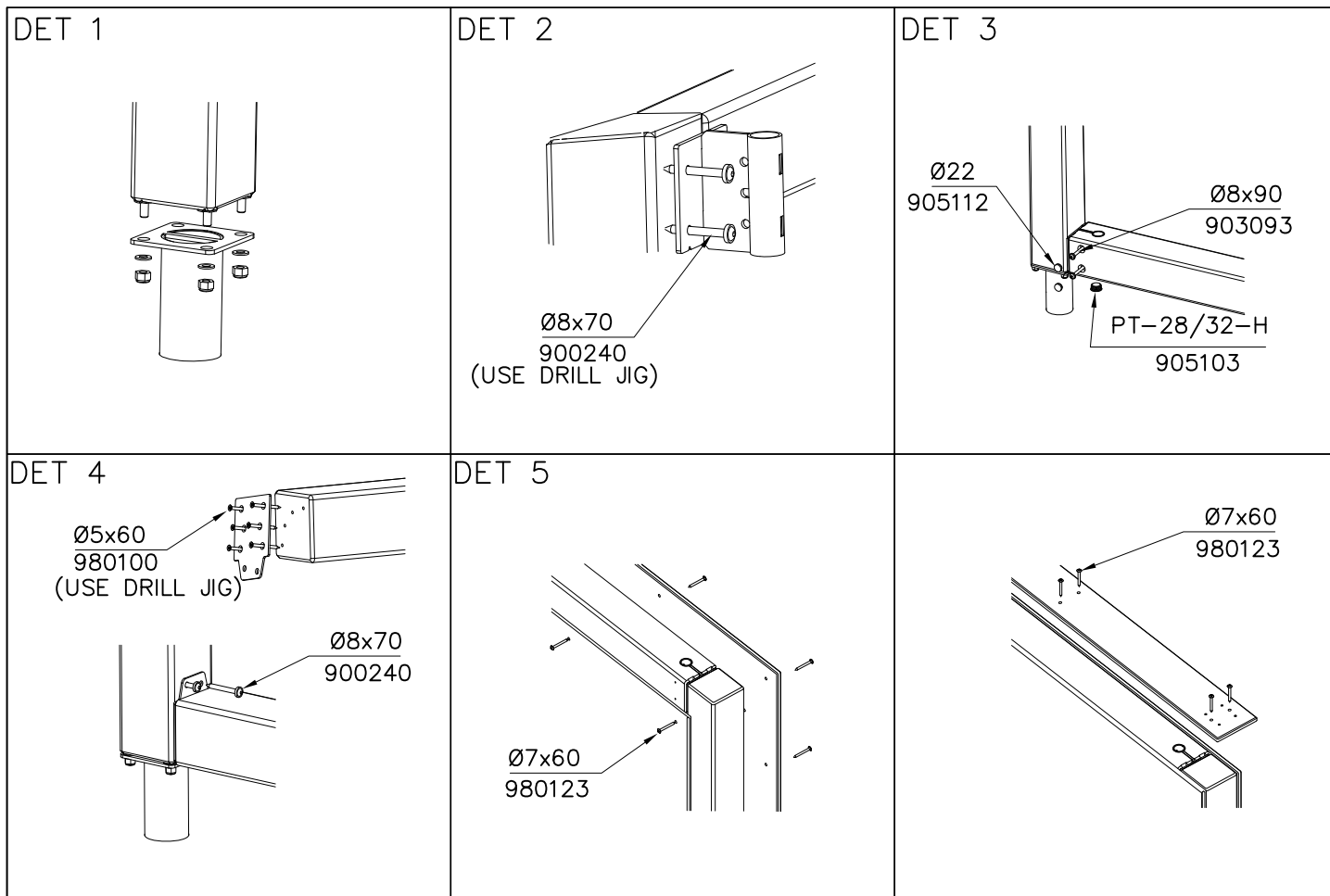


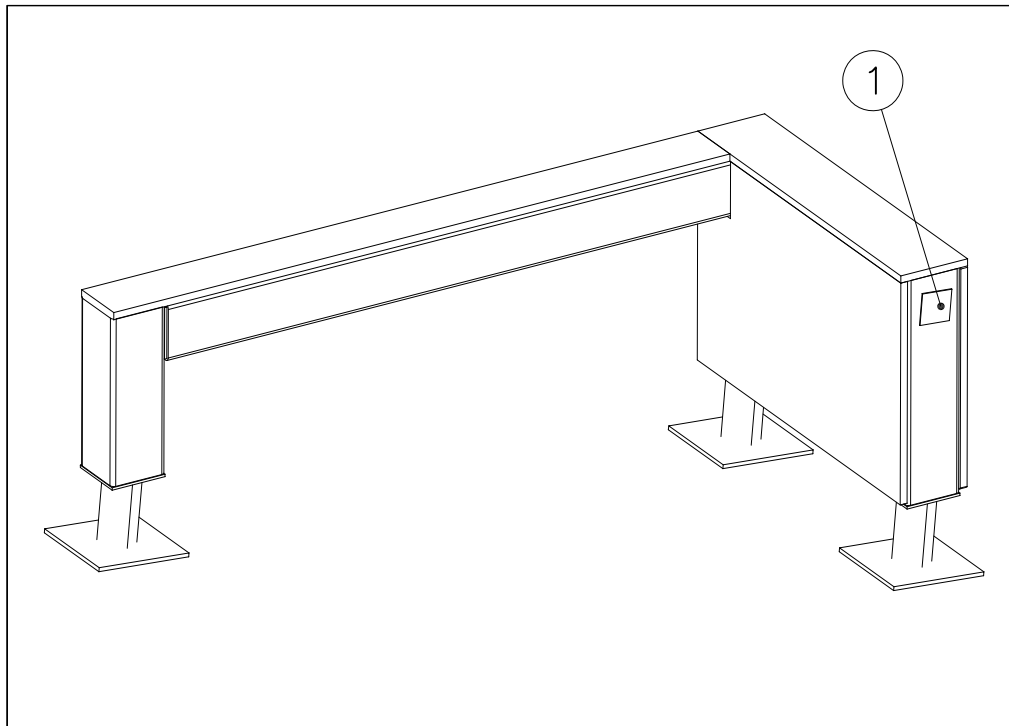
WINAM GROUP FLORA


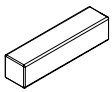

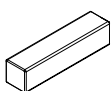
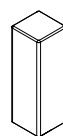
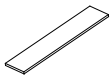
081720M

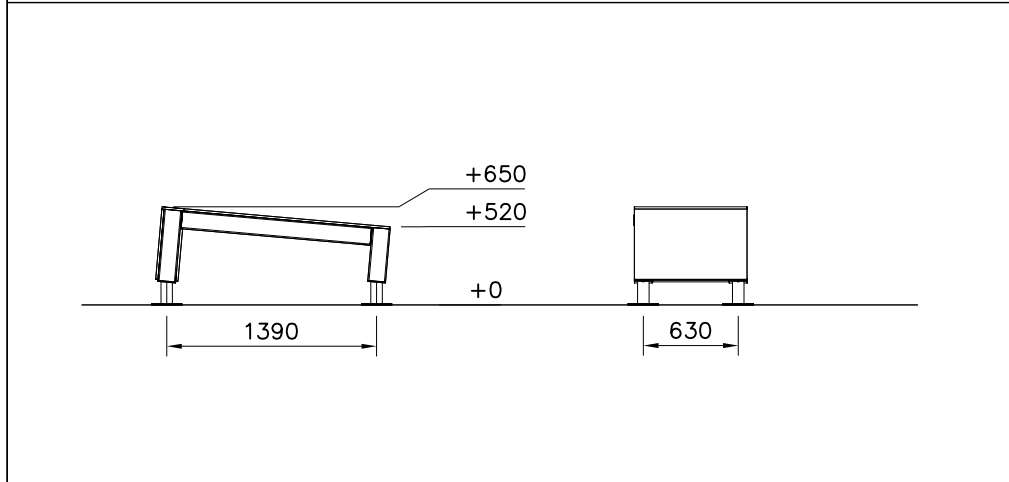
DATE: 5.9.2019


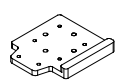
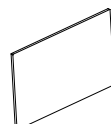



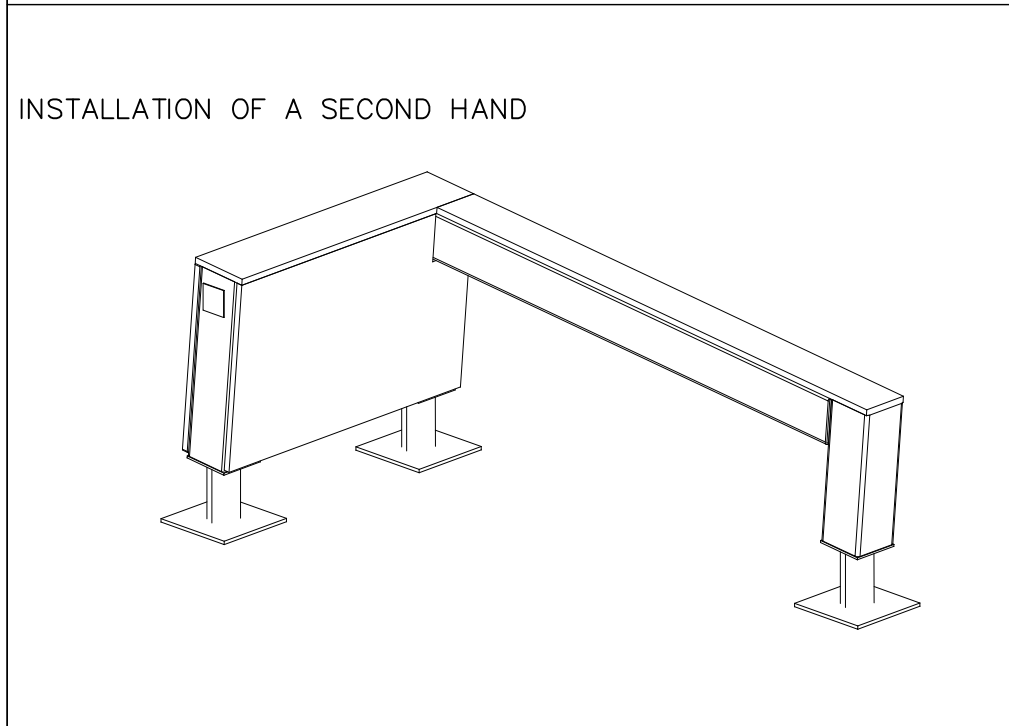





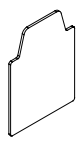
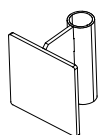
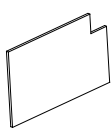





① 702286	PCS	② 707210	PCS
	1		2
65x65		118x118x503	
③ 707212	PCS	④ 707889	PCS
	1		2
118x118x1254		118x118x472	
⑤ 708443	PCS	⑥ 708733	PCS
	1		1
118x118x352		15x148x745	



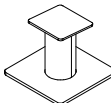
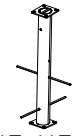
⑦ 708734	PCS	⑧ 708857 JIG	PCS
	1		1
15x118x1365		20x133x149	
⑨ 708731	PCS	⑩ 900240	PCS
	1		16
15x466x745		Ø8x70	



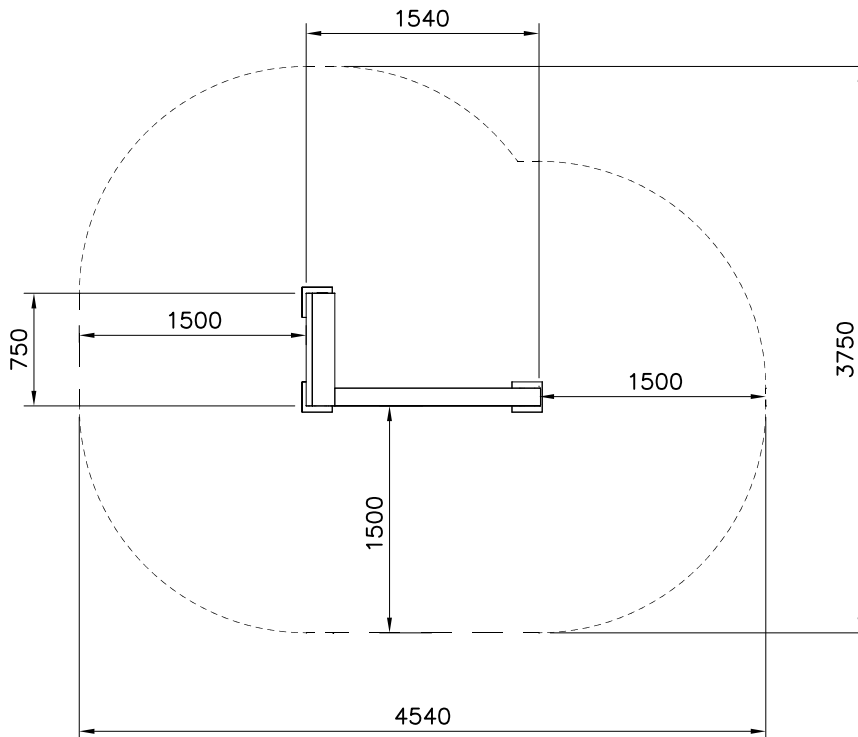
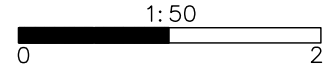
⑪ 903093	PCS	⑫ 905103	PCS
	4		2
Ø8x90		PT-28/32-H	
⑬ 905112	PCS	⑭ 908698	PCS
	4		4
Ø22		3x114x108	
⑮ 910266	PCS	⑯ 708732	PCS
	2		1
90x108x118		15x466x745	

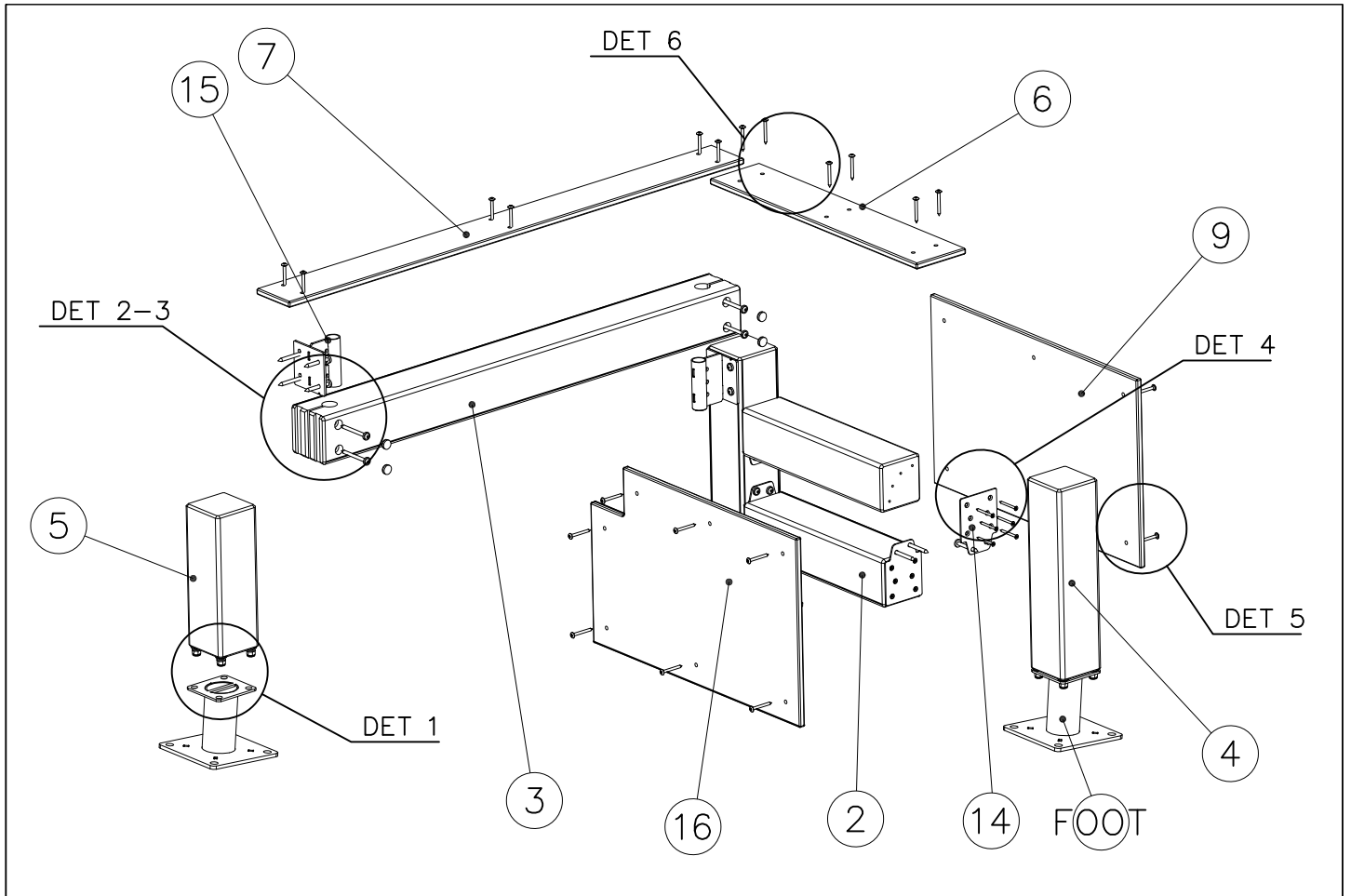
17	980100	PCS	18	980114	PCS	19	980123	PCS
		28			4			25
								
	Ø5x60			Ø4x20			Ø7x60	

FOOT OPTIONS

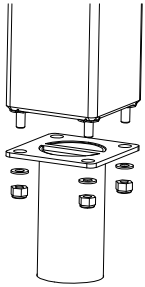
709261+		709262+	
910267	PCS	910567	PCS
SURFACE	3	CONCRETE	3
			
152x200x200		117x117x715	

----- Falling Space 13.8 m2
Max Falling Height 650 mm

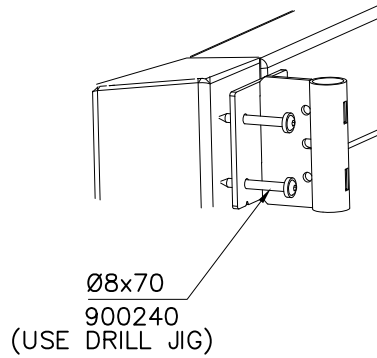




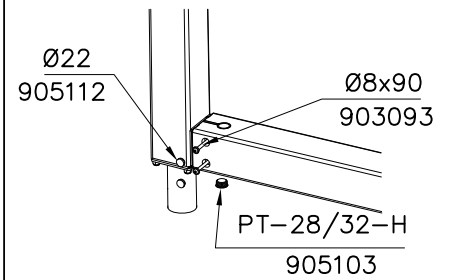
DET 1



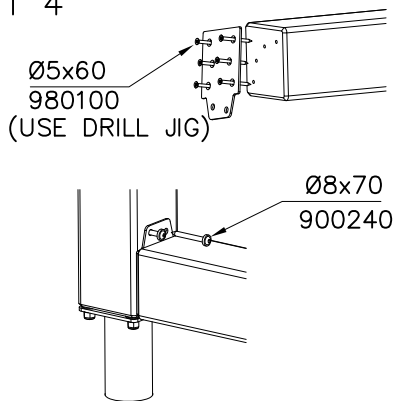
DET 2



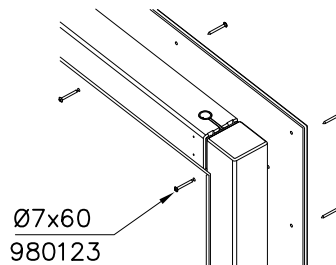
DET 3



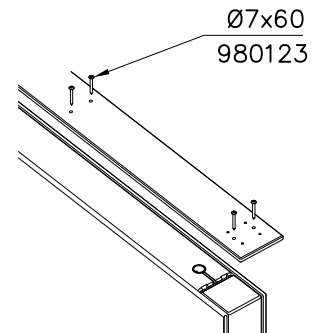
DET 4



DET 5



DET 6



JIG DET A (USE DET 2-4)

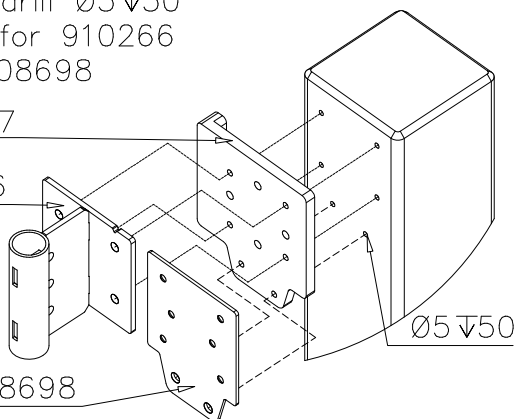
NOTE:

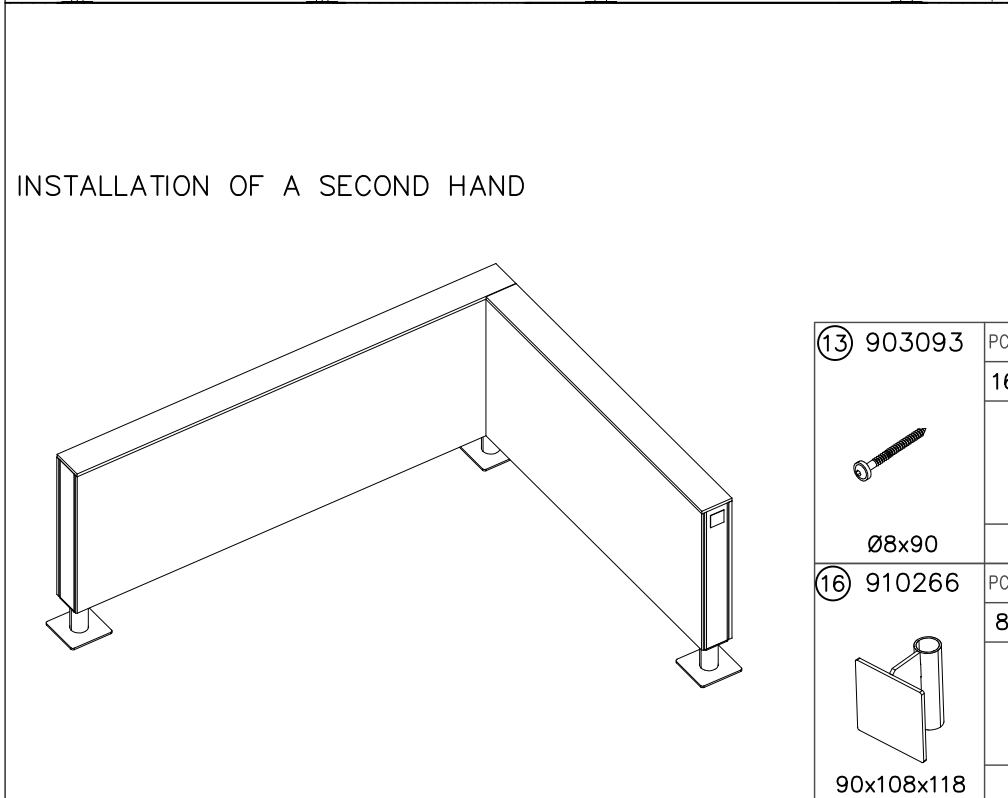
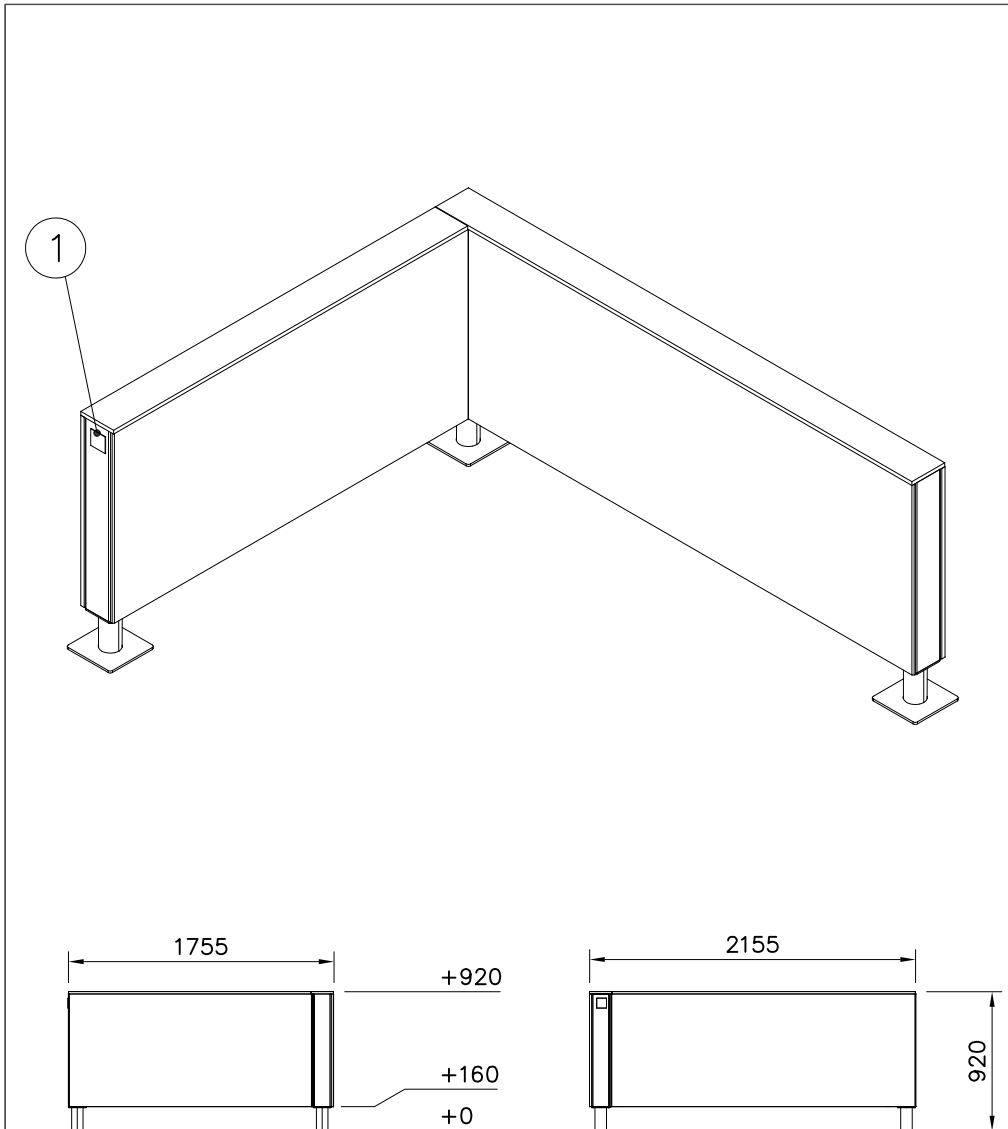
Use drill jig 708857 to predrill $\text{Ø}5 \nabla 50$ holes for 910266 and 908698



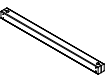
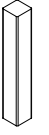
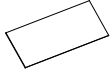
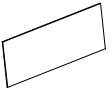

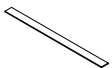
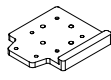


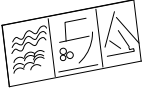

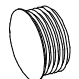
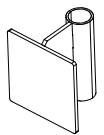


708857

910266

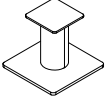
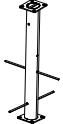
908698



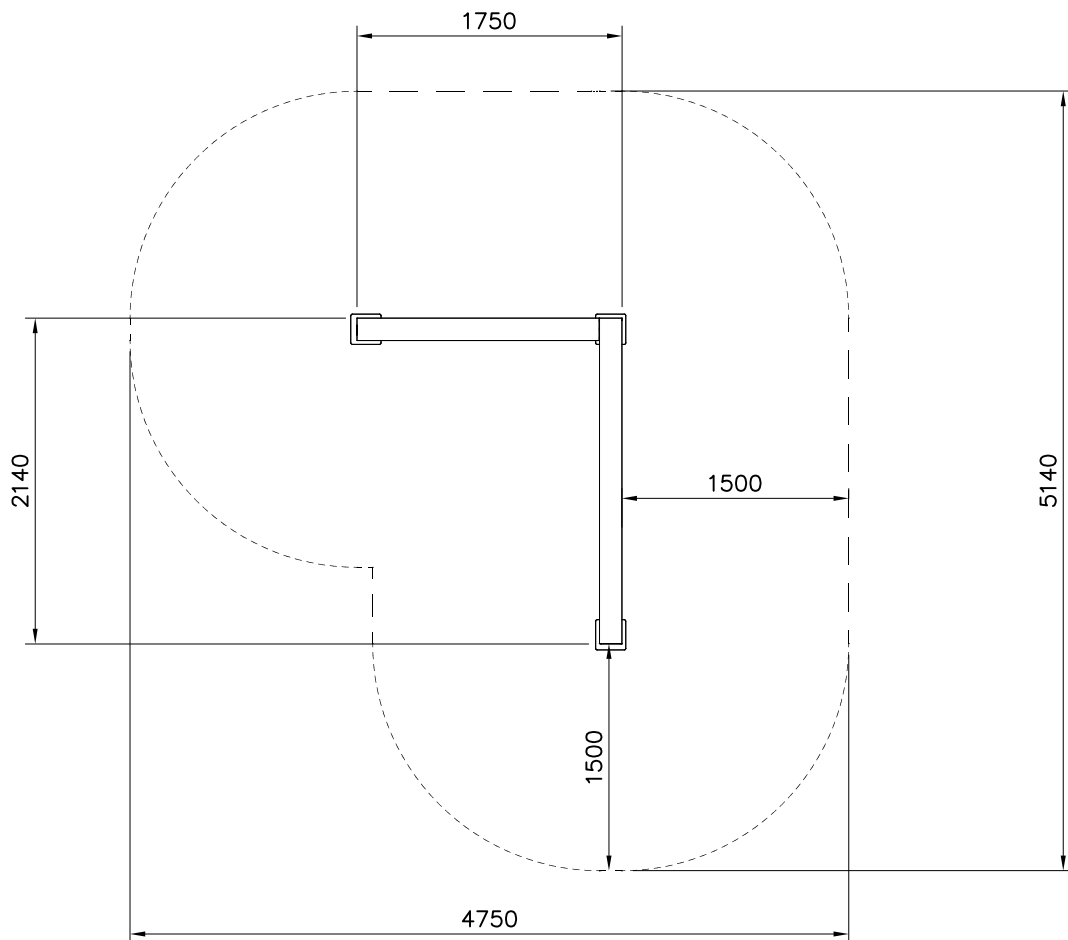


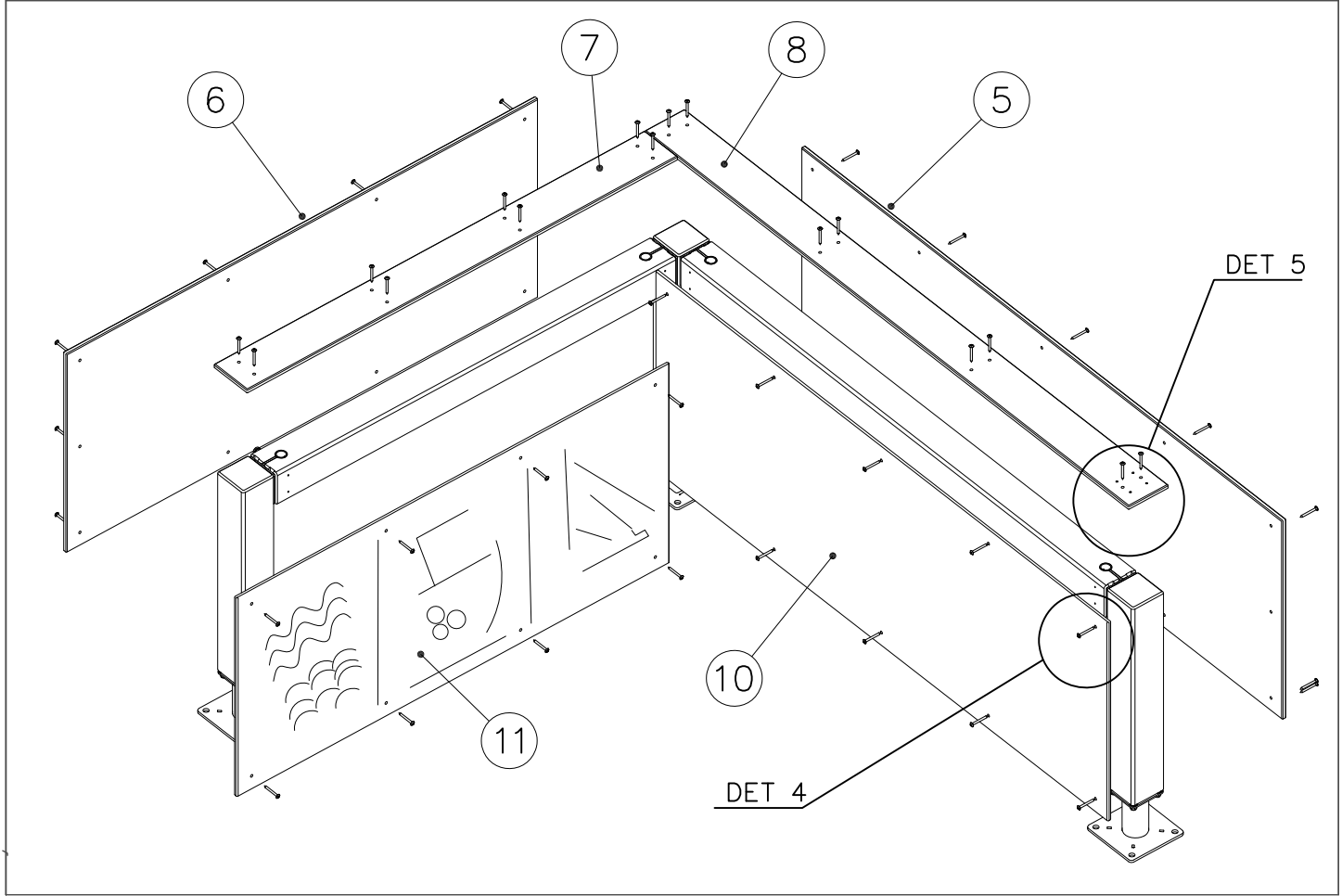
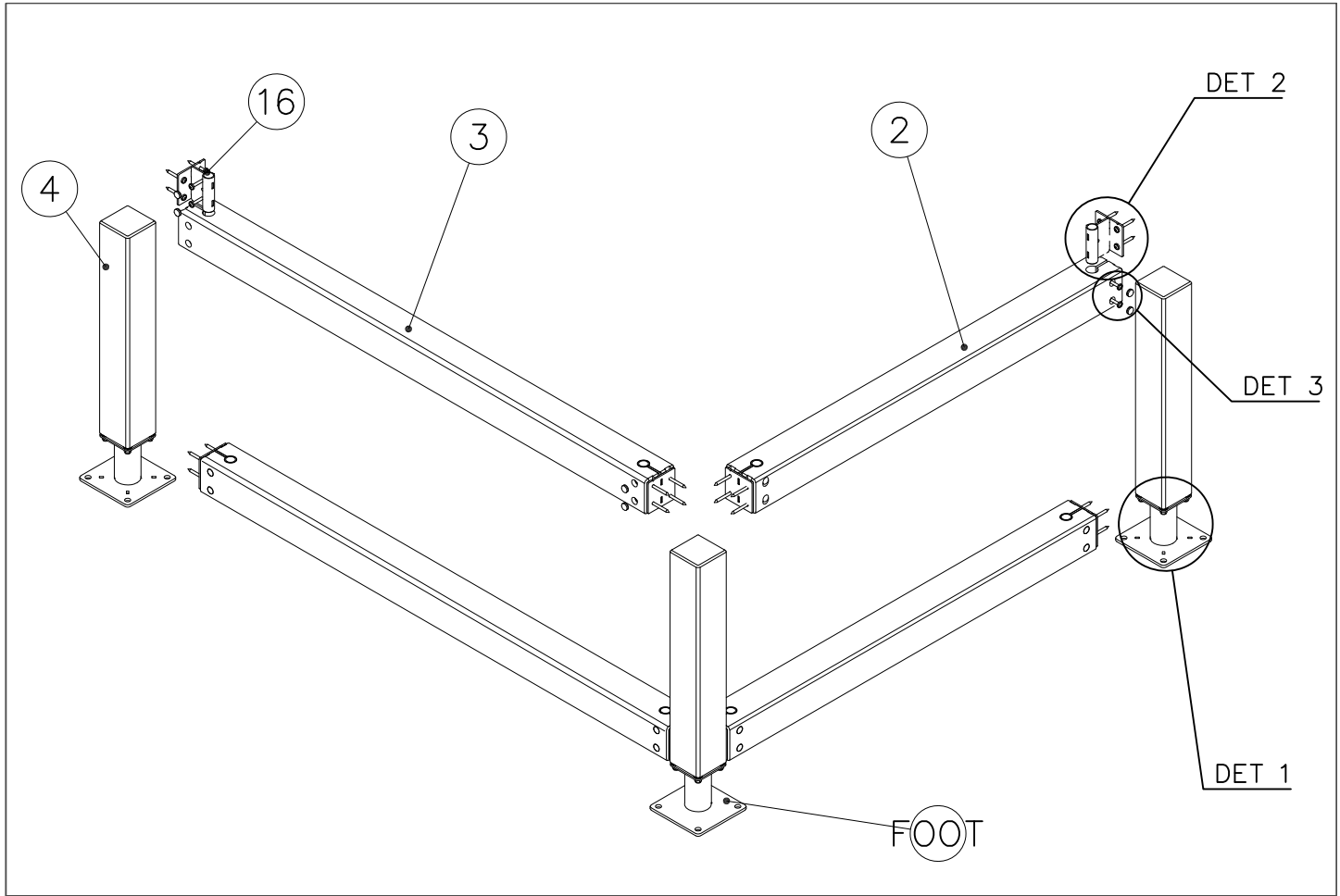
① 702286	PCS	② 707213	PCS
	1		2
65x65		118x118x1490	
③ 707517	PCS	④ 708137	PCS
	2		3
118x118x1892		118x118x745	
⑤ 708715	PCS	⑥ 708716	PCS
	1		1
15x745x2140		15x745x1753	
⑦ 708737	PCS	⑧ 708738	PCS
	1		1
15x148x1601		15x148x2153	
⑨ 708857	PCS	⑩ 911309	PCS
JIG	1	COLOR	1
			
20x133x149		12x745x2015	
⑪ 911311	PCS	⑫ 900240	PCS
MURAL	1		32
		Ø8x70	
12x745x1610			
⑬ 903093	PCS	⑭ 905103	PCS
	16		8
Ø8x90		PT-28/32-H	
		Ø22	
⑯ 910266	PCS	⑰ 980123	PCS
	8		56
90x108x118		Ø7x60	
		⑱ 980114	PCS
			4
		Ø4x20	

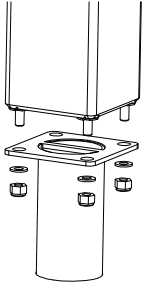
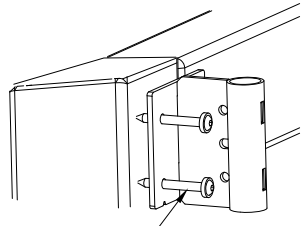
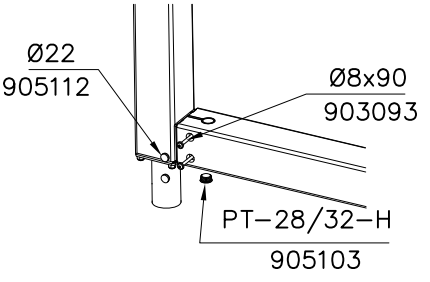
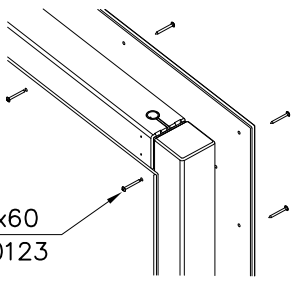
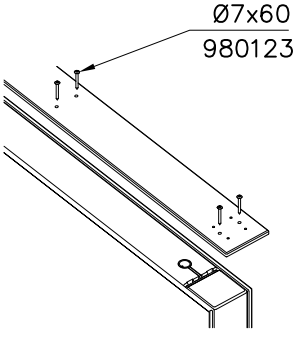
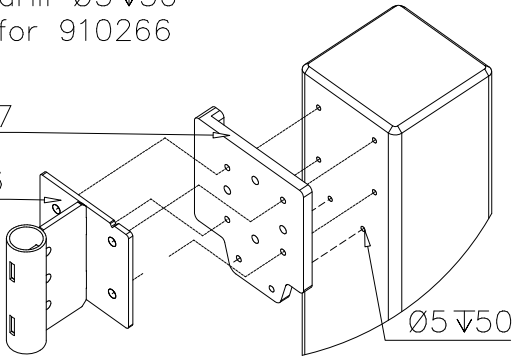
FOOT OPTIONS

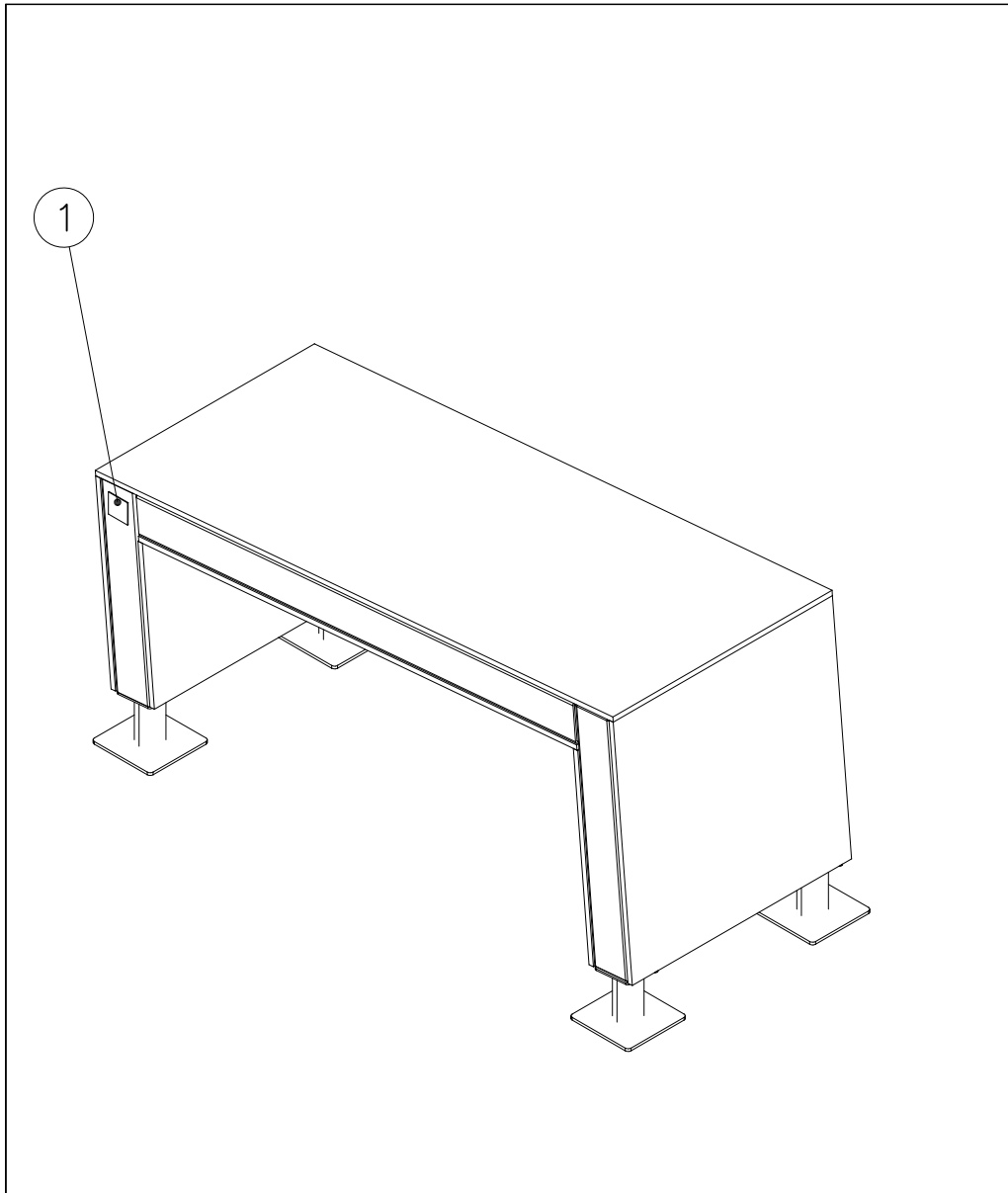
709261+		709262+	
○ 910330	PCS	○ 910567	PCS
SURFACE	3	CONCRETE	3
			
152x200x200		117x117x715	


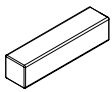



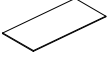
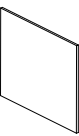

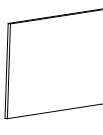

----- Falling Space 18.8 m²
Max Falling Height 920 mm

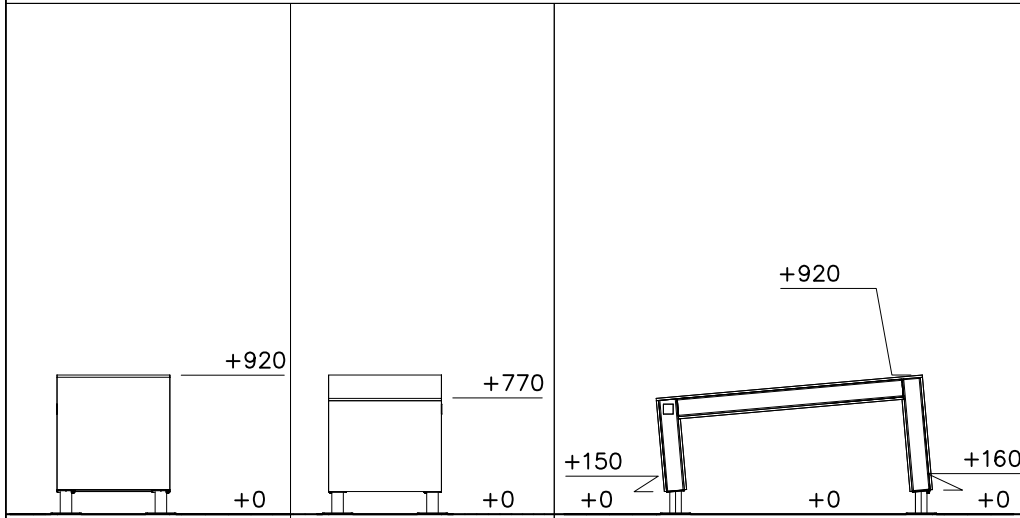


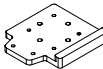

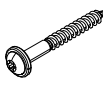



<p>DET 1</p> 	<p>DET 2</p>  <p>Ø8x70 900240 (USE DRILL JIG)</p>	<p>DET 3</p>  <p>Ø22 905112</p> <p>Ø8x90 903093</p> <p>PT-28/32-H 905103</p>
<p>DET 4</p>  <p>Ø7x60 980123</p>	<p>DET 5</p>  <p>Ø7x60 980123</p>	
<p>JIG DET A (USE DET 2)</p> <p>NOTE: Use drill jig 708857 to predrill Ø5√50 holes for 910266</p>  <p>708857</p> <p>910266</p> <p>Ø5√50</p>		

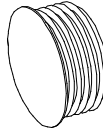
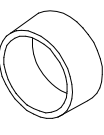



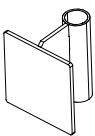


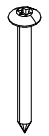
① 702286  65x65	PCS 1	② 707210  118x118x503	PCS 4
③ 707213  118x118x1490	PCS 2	④ 708127  118x118x603	PCS 2
⑤ 708137  118x118x745	PCS 2	⑥ 708721  15x745x1766	PCS 1
⑦ 708725  15x603x745	PCS 1	⑧ 708726  15x745x745	PCS 1
⑨ 708834  15x745x470	PCS 1	⑩ 708835  15x745x612	PCS 1



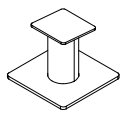

⑪ 708857 JIG  20x133x149	PCS 1	⑫ 709204  15x745x1495	PCS 1
⑬ 900240  Ø8x70	PCS 32	⑭ 903093  Ø8x90	PCS 8



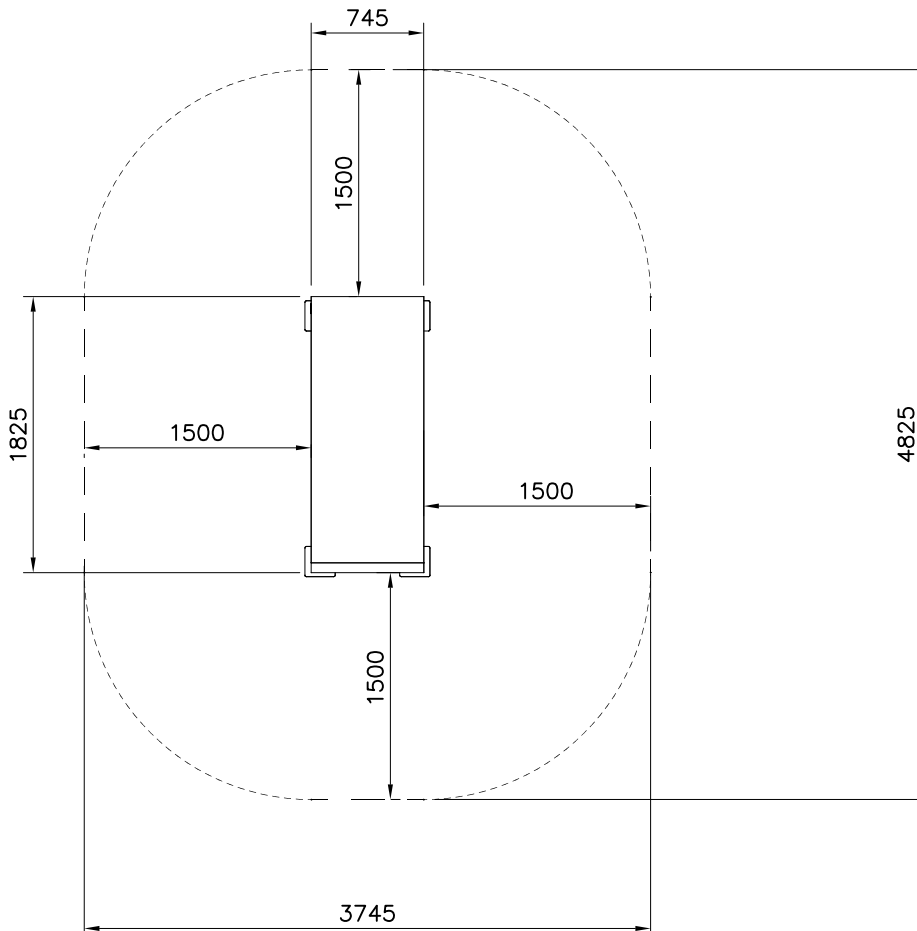
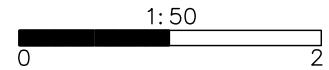
⑮ 905103  PT-28/32-H	PCS 8	⑯ 905112  Ø22	PCS 8
---	----------	--	----------

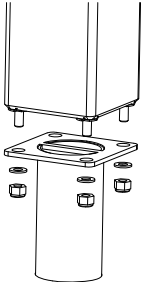
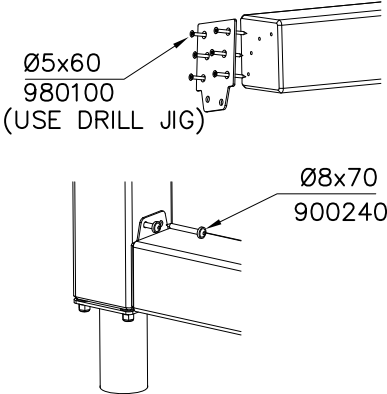
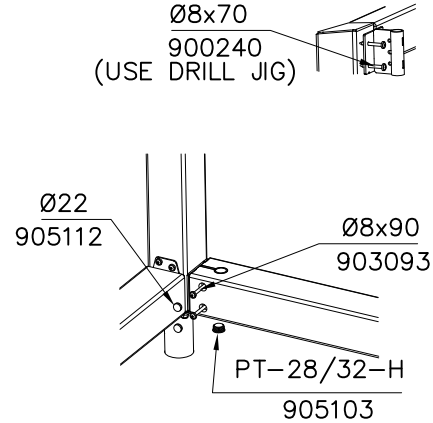
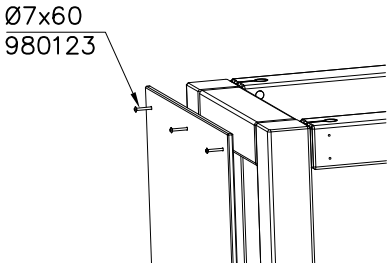
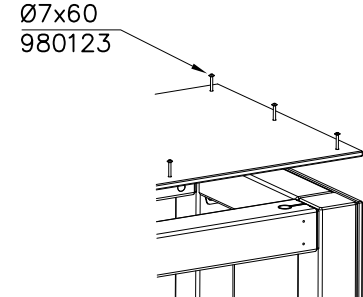
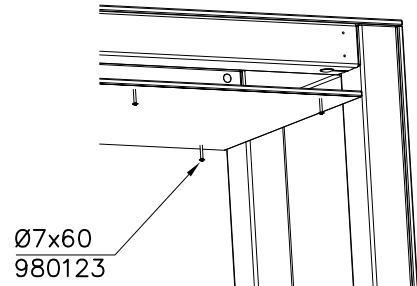
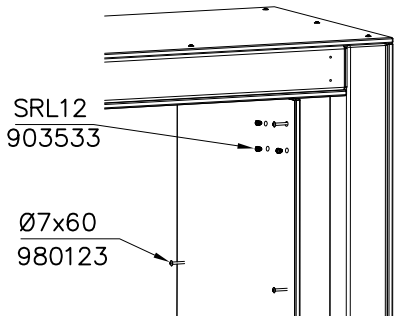
⑰ 908698	PCS	⑱ 910266	PCS	⑲ 980114	PCS	⑳ 980100	PCS	㉑ 980123	PCS		PCS		PCS
	8		4		4		48		38				
3x114x108		90x108x118		Ø4x20		Ø5x60		Ø7x60					
	PCS		PCS		PCS								

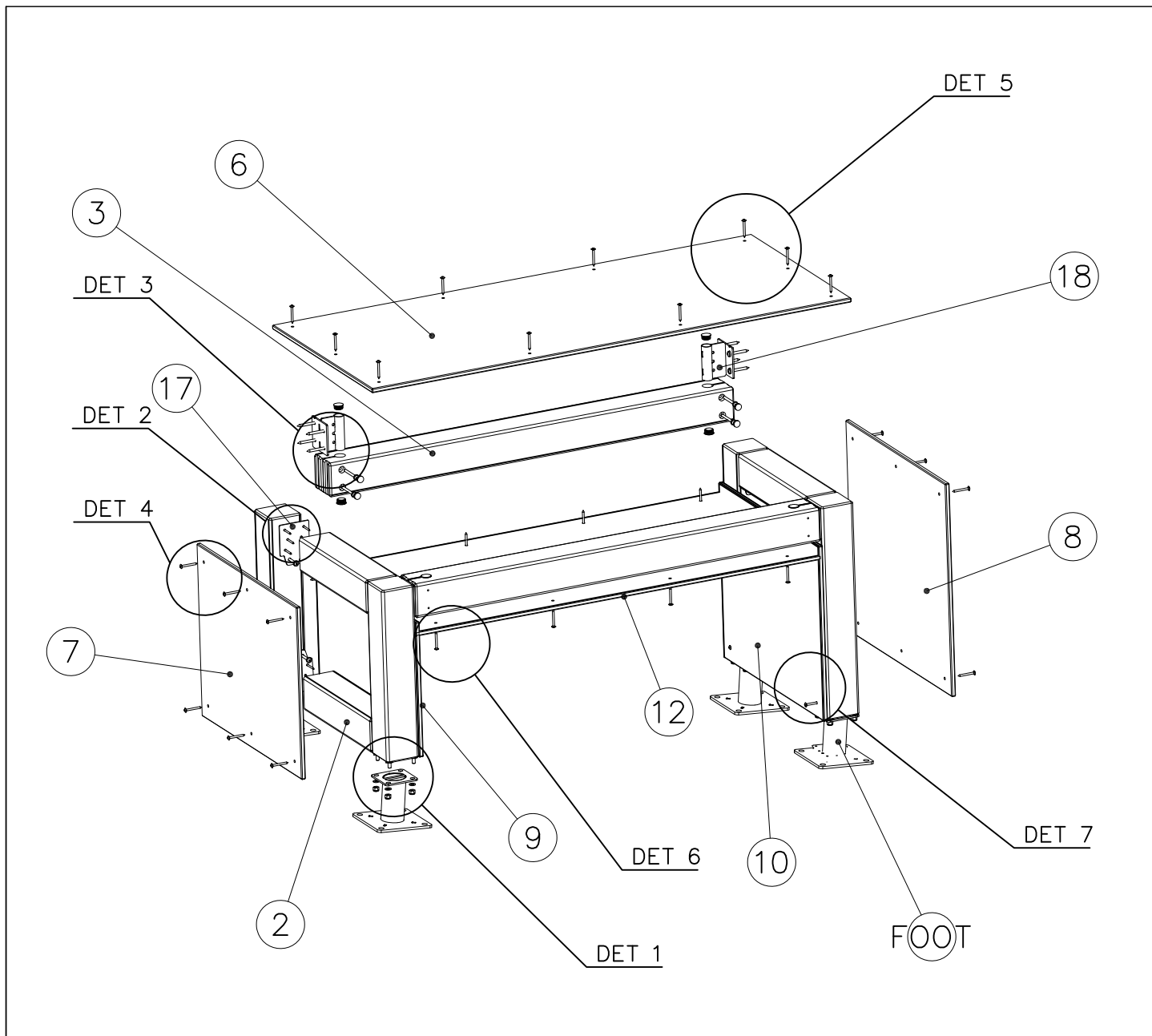
FOOT OPTIONS

709261+		709262+	
○ 910267	PCS	○ 910567	PCS
SURFACE	4	CONCRETE	4
			
152x200x200		117x117x715	

----- Falling Space 16.1 m²
 Max Falling Height 920 mm



<p>DET 1</p> 	<p>DET 2</p> 	<p>DET 3</p> 
<p>DET 4</p> 	<p>DET 5</p> 	<p>DET 6</p> 
<p>DET 7</p> 		



JIG DET A (USE DET 2-3)

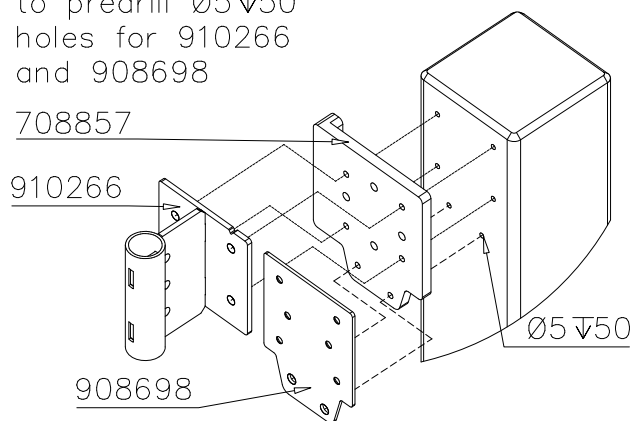
NOTE:

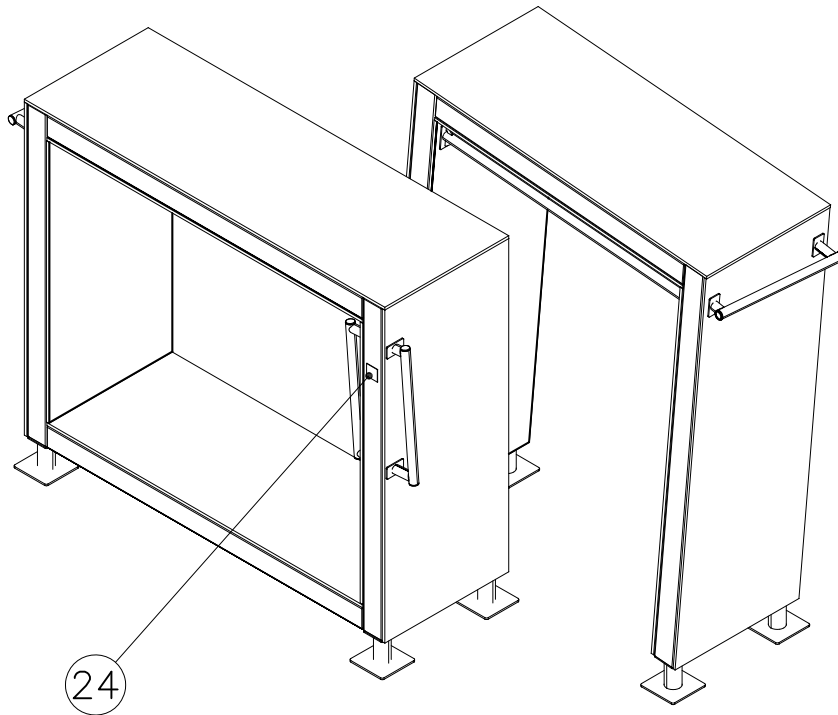
Use drill jig 708857 to predrill $\text{Ø}5 \nabla 50$ holes for 910266 and 908698

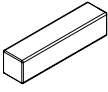

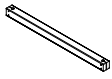
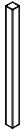


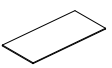
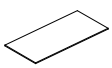
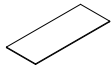
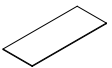
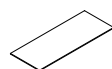
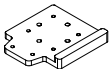
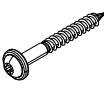

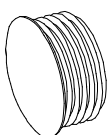
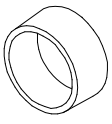
708857

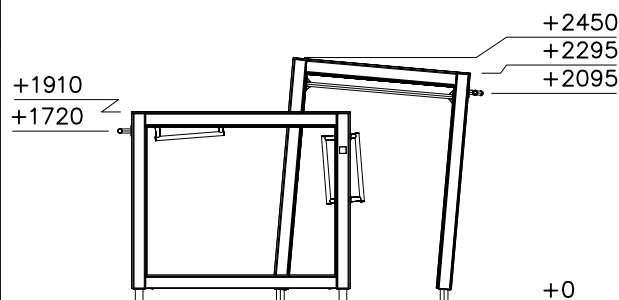
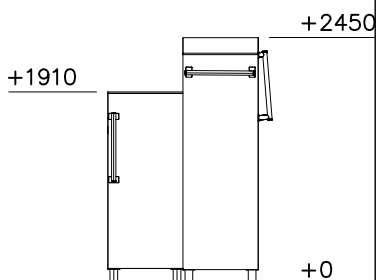
910266

908698

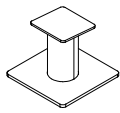
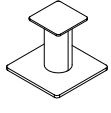





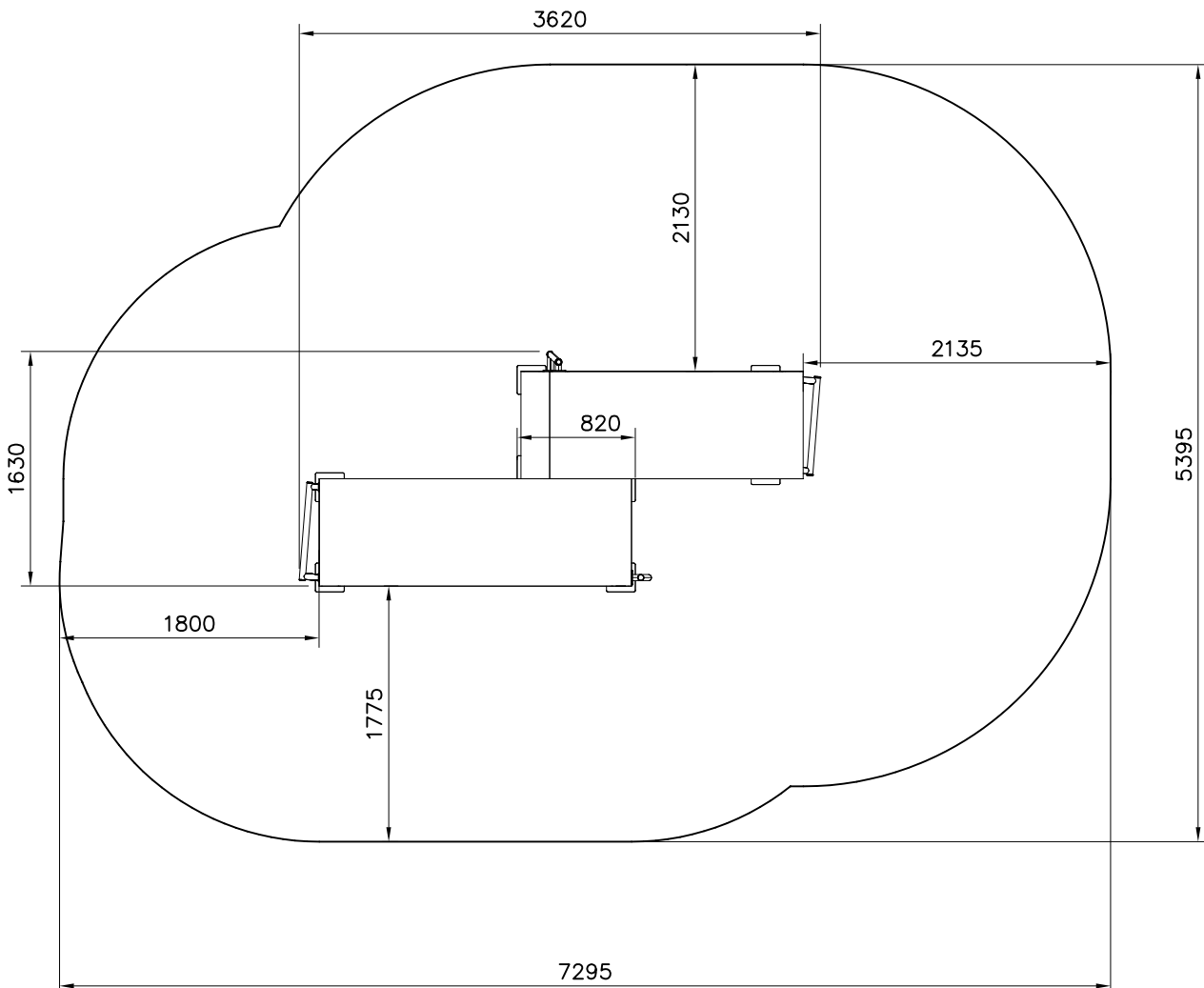
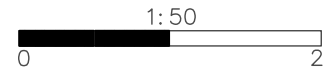
① 707210	PCS	② 707213	PCS
	8		2
118x118x503		118x118x1490	
③ 707517	PCS	④ 708346	PCS
	4		4
118x118x1892		118x118x1736	
⑤ 708522	PCS	⑥ 708688	PCS
	2		2
118x118x2139		118x118x2279	
⑦ 708721	PCS	⑧ 708722	PCS
	1		1
15x745x1766		15x745x2280	
⑨ 708836	PCS	⑩ 708837	PCS
	2		1
15x745x1736		15x745x2168	
⑪ 708839	PCS	⑫ 708857	PCS
	1		1
15x745x1897		20x133x149	
⑬ 900240	PCS	⑭ 903093	PCS
	120		24
Ø8x70		Ø8x90	
⑮ 905103	PCS	⑯ 905112	PCS
	16		24
PT-28/32-H		Ø22	

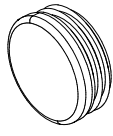
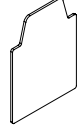

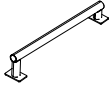
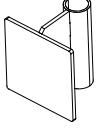


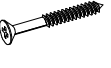




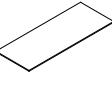
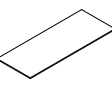


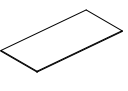
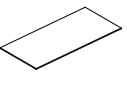
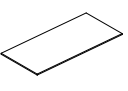
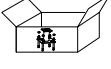


FOOT OPTIONS

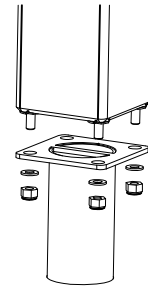
709261+		709261+		709262+	
○ 910267	PCS	○ 910330	PCS	○ 910567	PCS
SURFACE	4	SURFACE	4	CONCRETE	8
					
152x200x200		152x200x200		117x117x715	

- EN Impact Attenuating Surface (IAS) 32.7 m²
- - - Falling Space 32.7 m²
Max Falling Height 2450 mm

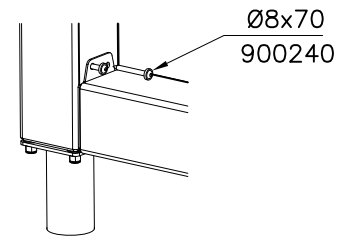
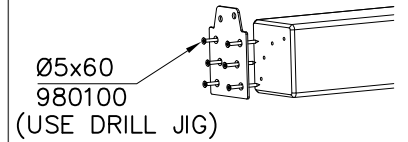


<p>⑰ 908371 PCS 12</p>  <p>42-38/40</p>	<p>⑱ 908698 PCS 16</p>  <p>3x114x108</p>	<p>⑳ 980114 PCS 4</p>  <p>Ø4x20</p>
<p>⑲ 910056 PCS 6</p>  <p>140x690</p>	<p>㉑ 910266 PCS 12</p>  <p>90x108x118</p>	<p>㉒ 905086 PCS 3</p>  <p>Ø44/13.5x3.9</p>
<p>㉓ 910328 PCS 2</p>  <p>L 1466</p>	<p>㉔ 980100 PCS 96</p>  <p>Ø5x60</p>	<p>㉕ 909248 PCS 1</p>  <p>M12</p>
<p>㉖ 980123 PCS 121</p>  <p>Ø7x60</p>	<p>㉗ 702286 PCS 1</p>  <p>65x65</p>	<p>㉘ 909132 PCS 1</p>  <p>M12x280</p>
<p>㉙ 911288 COLOR PCS 2</p>  <p>15x745x1465</p>	<p>㉚ 911289 COLOR PCS 1</p>  <p>15x745x1897</p>	
<p>㉛ 909225 PCS 1</p>  <p>Ø12x180</p>	<p>㉜ 911297 MURAL PCS 1</p>  <p>12x745x2140</p>	
<p>㉝ 911293 COLOR PCS 1</p>  <p>15x745x2145</p>	<p>㉞ 911295 COLOR PCS 1</p>  <p>15x745x2004</p>	
<p>㉟ 911301 COLOR PCS 1</p>  <p>15x745x1495</p>	<p>㊱ 709261 PCS 8</p> 	

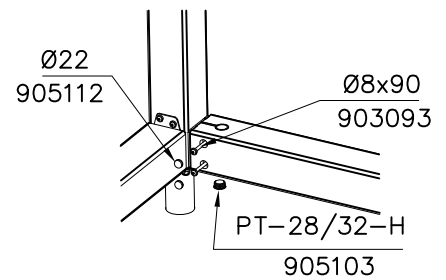
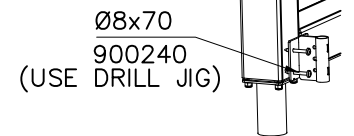
DET 1



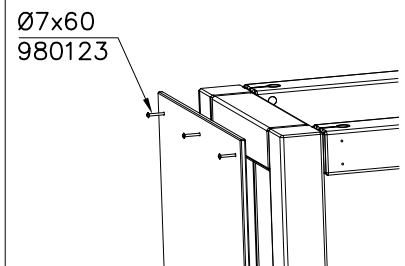
DET 2

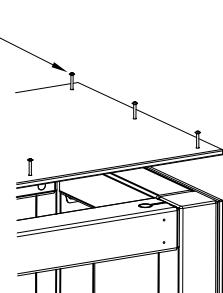
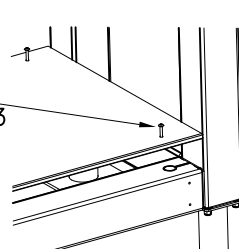
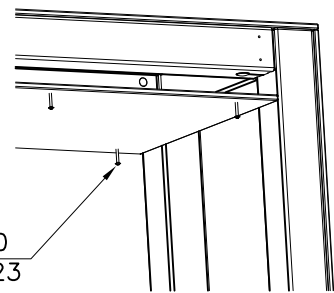
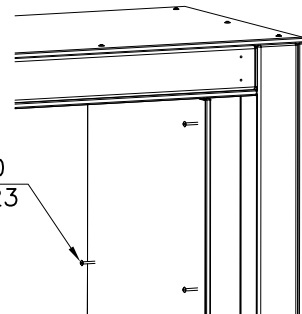
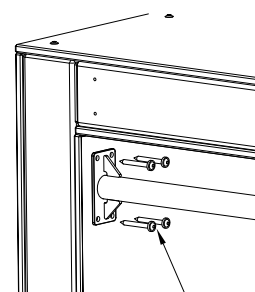
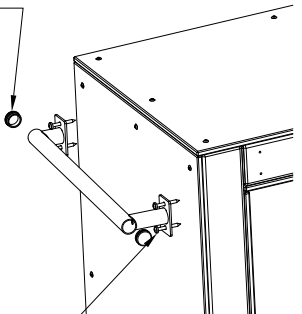
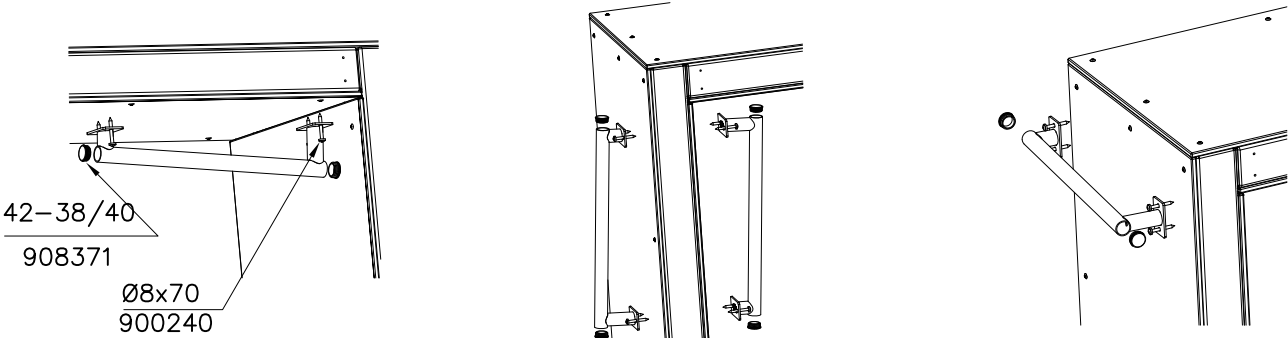
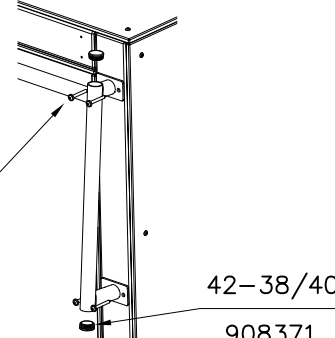


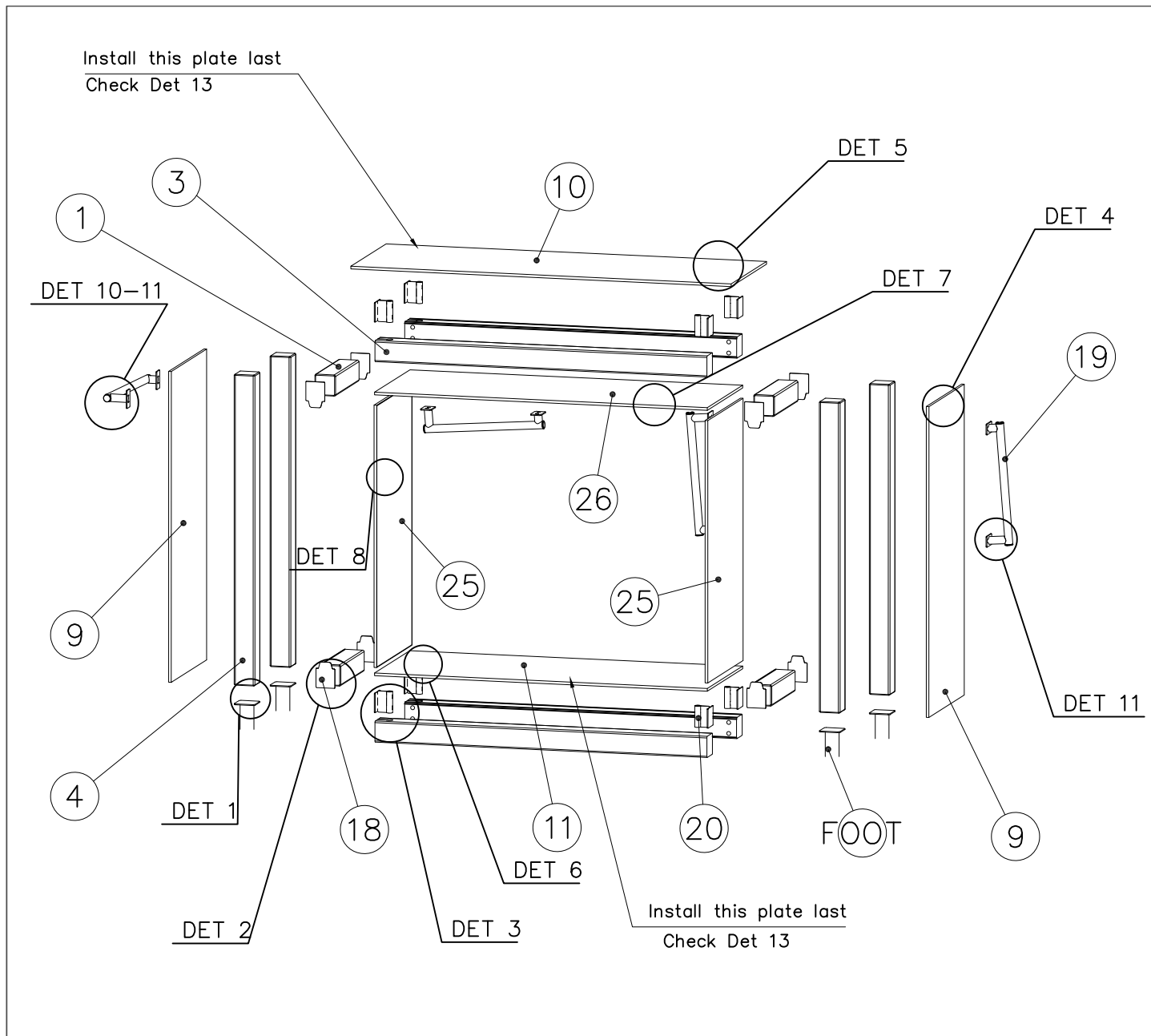
DET 3



DET 4



<p>DET 5</p> <p>Ø7x60 980123</p> 	<p>DET 6</p> <p>Ø7x60 980123</p> 	<p>DET 7</p> <p>Ø7x60 980123</p> 
<p>DET 8</p> <p>Ø7x60 980123</p> 	<p>DET 9</p> <p>Ø8x70 900240</p> 	<p>DET 10</p> <p>42-38/40 908371</p> <p>Ø8x70 900240</p> 
<p>DET 11 DRILL PREHOLES BEFORE INSTALLING HANDLES</p>  <p>42-38/40 908371</p> <p>Ø8x70 900240</p>		
<p>DET 12 DRILL PREHOLES BEFORE INSTALLING HANDLES</p>  <p>Ø8x70 900240</p> <p>42-38/40 908371</p>		



JIG DET A (USE DET 2-3)

NOTE:

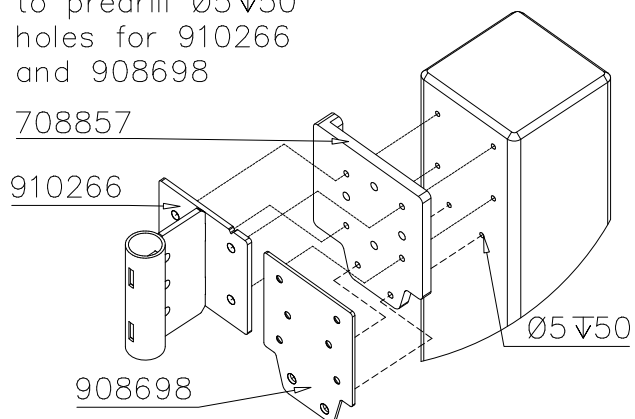
Use drill jig 708857 to predrill $\text{Ø}5 \nabla 50$ holes for 910266 and 908698

708857

910266

908698

$\text{Ø}5 \nabla 50$



JIG DET B (USE DET 10-11)

Plywood

Frame

708857

910056

$\text{Ø}8 \times 70$
(900240)

$\text{Ø}8 \nabla 15$

