

WINAM GROUP

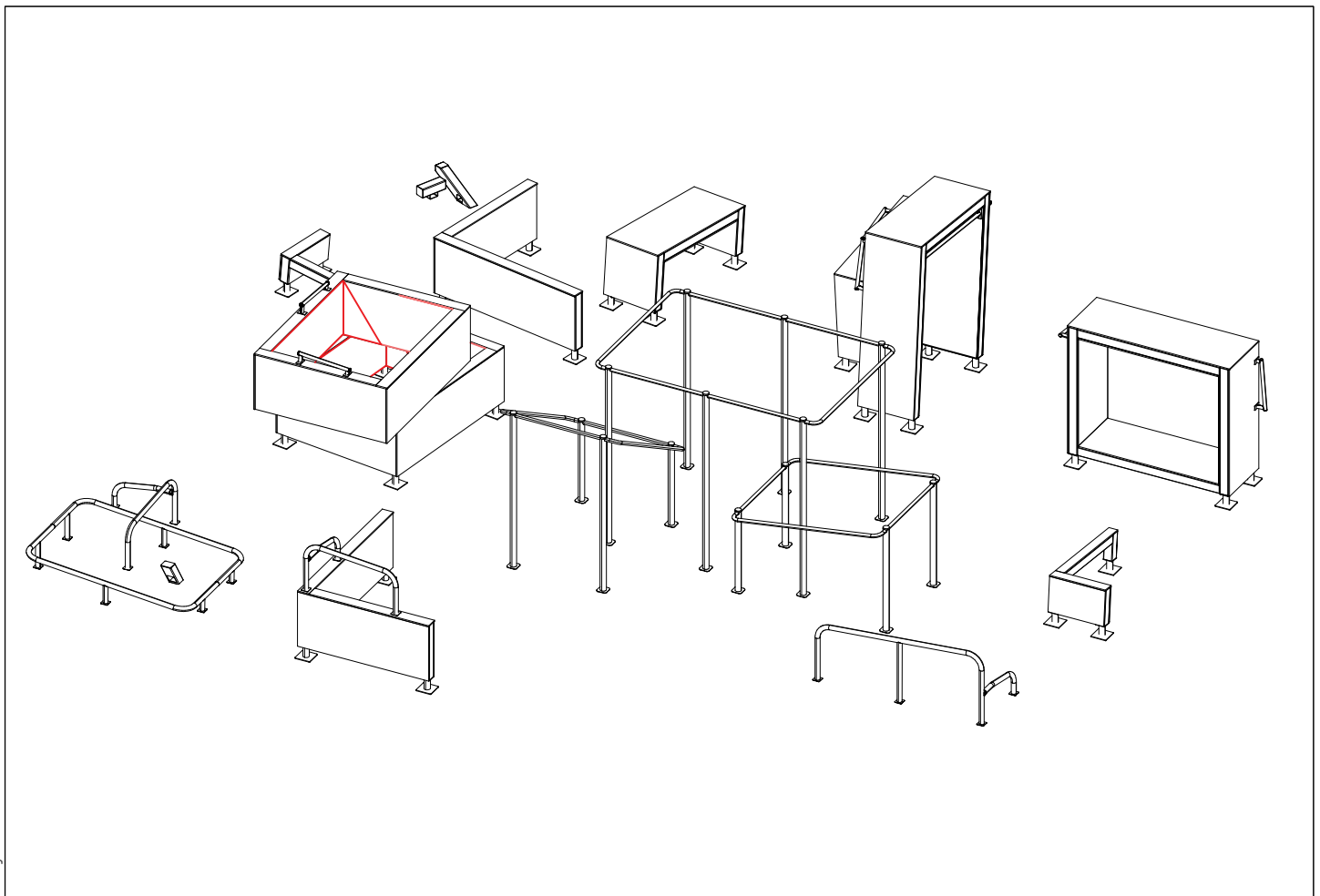
DASH PARKOUR



ASENNUSOHJE
MONTERINGSANSVISNING
INSTALLATION INSTRUCTION
AUFBAUANLEITUNG
NOTICE D'INSTALLATION

DATE: 27.2.2020

081786M



WINAM GROUP

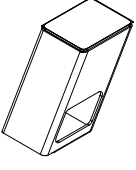

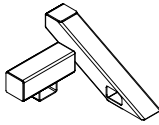

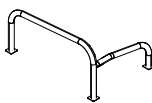

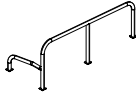

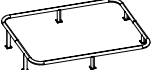

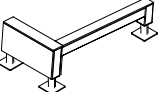

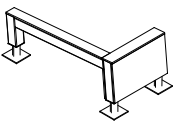

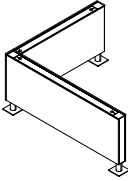

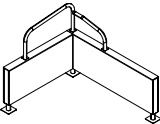

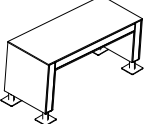

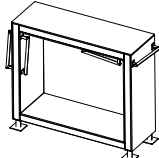

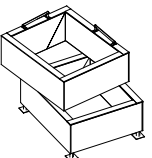

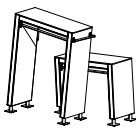



DASH PARKOUR

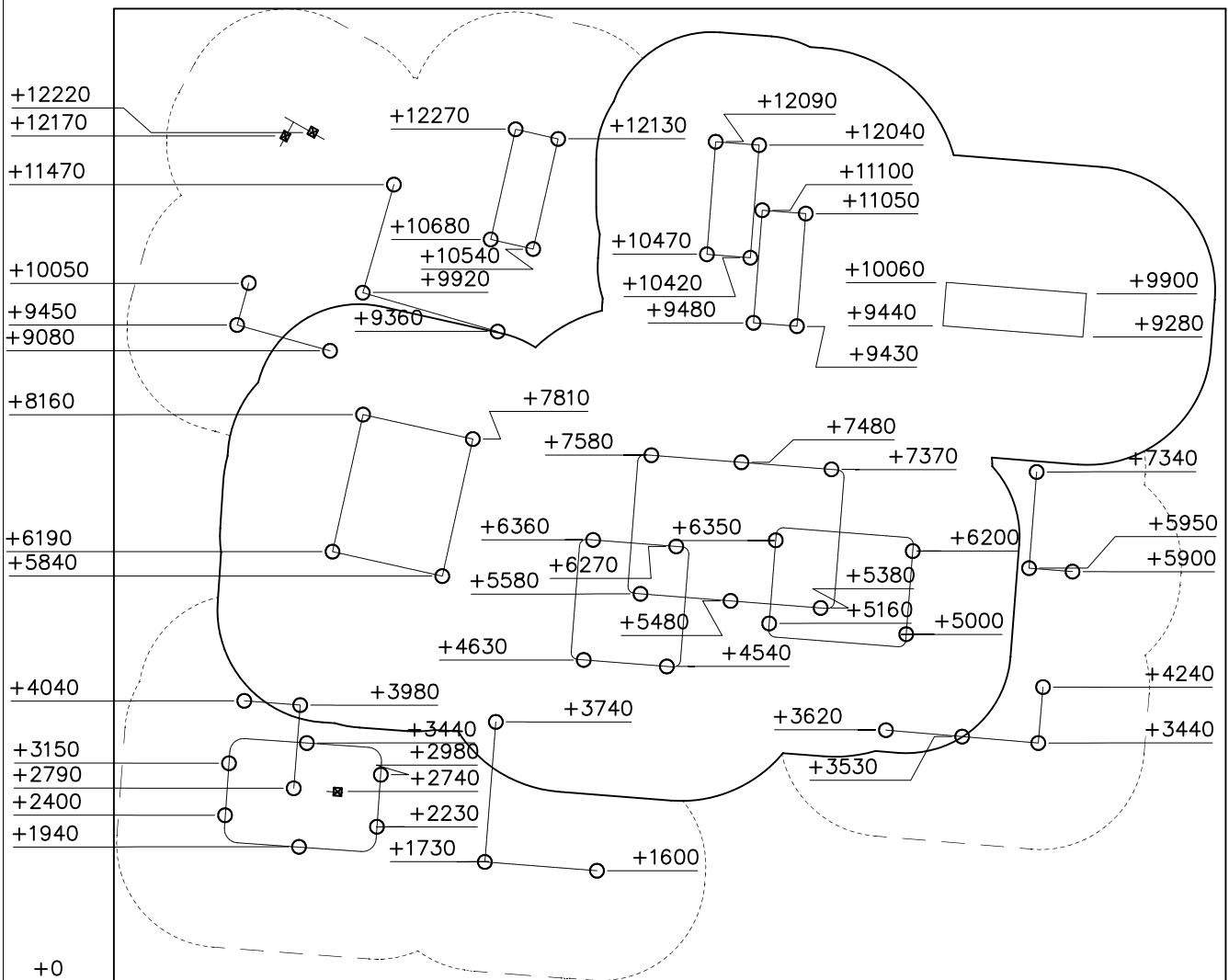
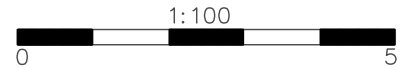
081786M

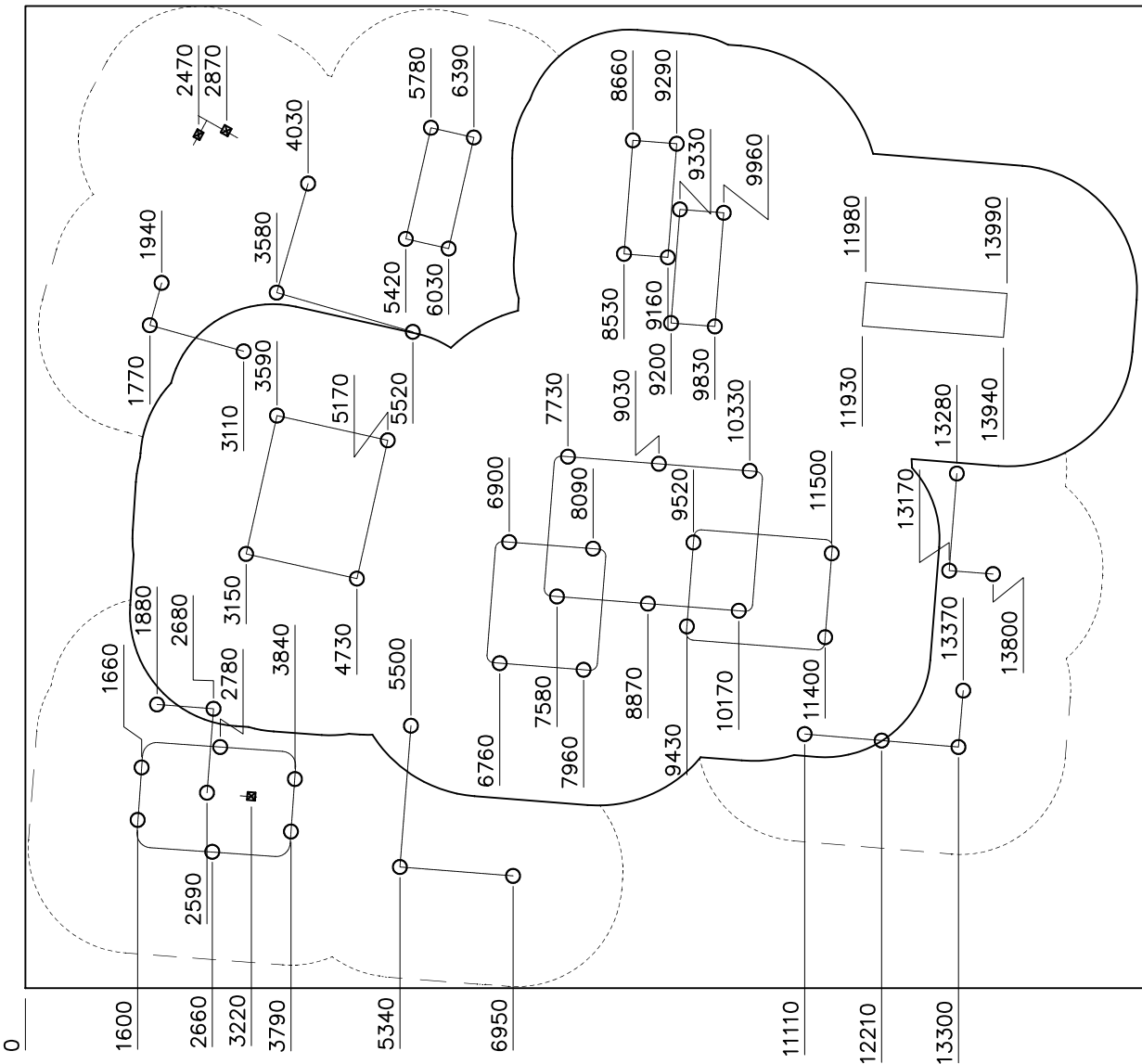
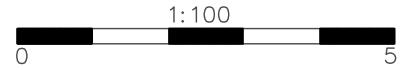
DATE: 27.2.2020



1(1)
3

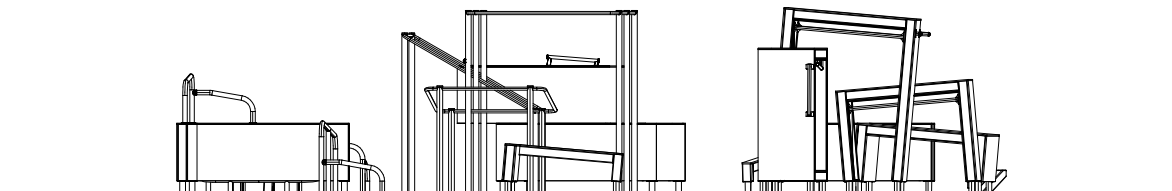
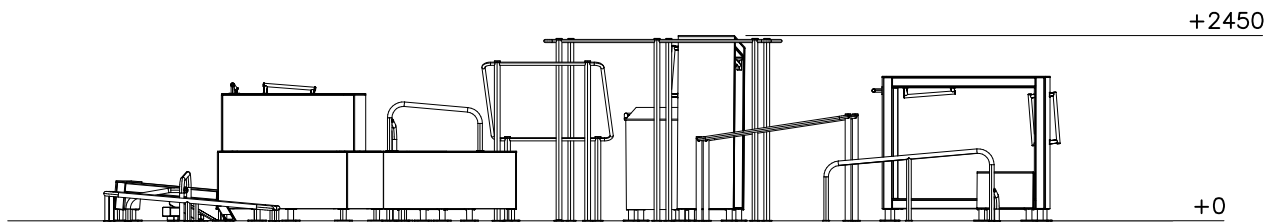
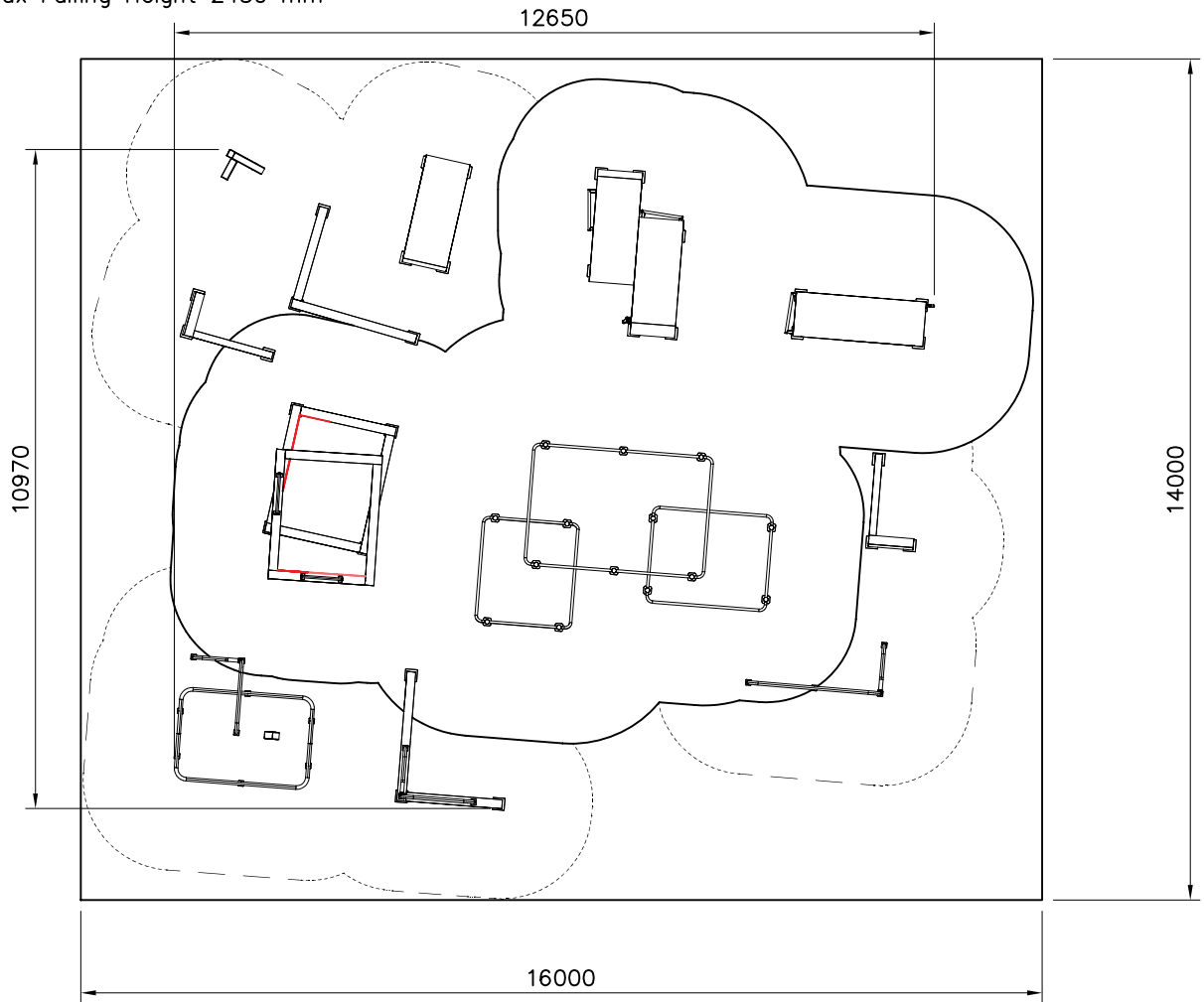
081700M  	PCS 1	081701M  	PCS 1	081711M  	PCS 1	081712M  	PCS 1	081713M  	PCS 1	081720M  	PCS 1
081721M  	PCS 1	081722M  	PCS 1	081726M  	PCS 1	081730M  	PCS 1	081733M  	PCS 1	081734M  	PCS 1
081737M  	PCS 1	081751M  	PCS 1		PCS		PCS		PCS		PCS
	PCS		PCS		PCS		PCS		PCS		PCS
	PCS		PCS		PCS		PCS		PCS		PCS
	PCS		PCS		PCS		PCS		PCS		PCS
	PCS		PCS		PCS		PCS		PCS		PCS

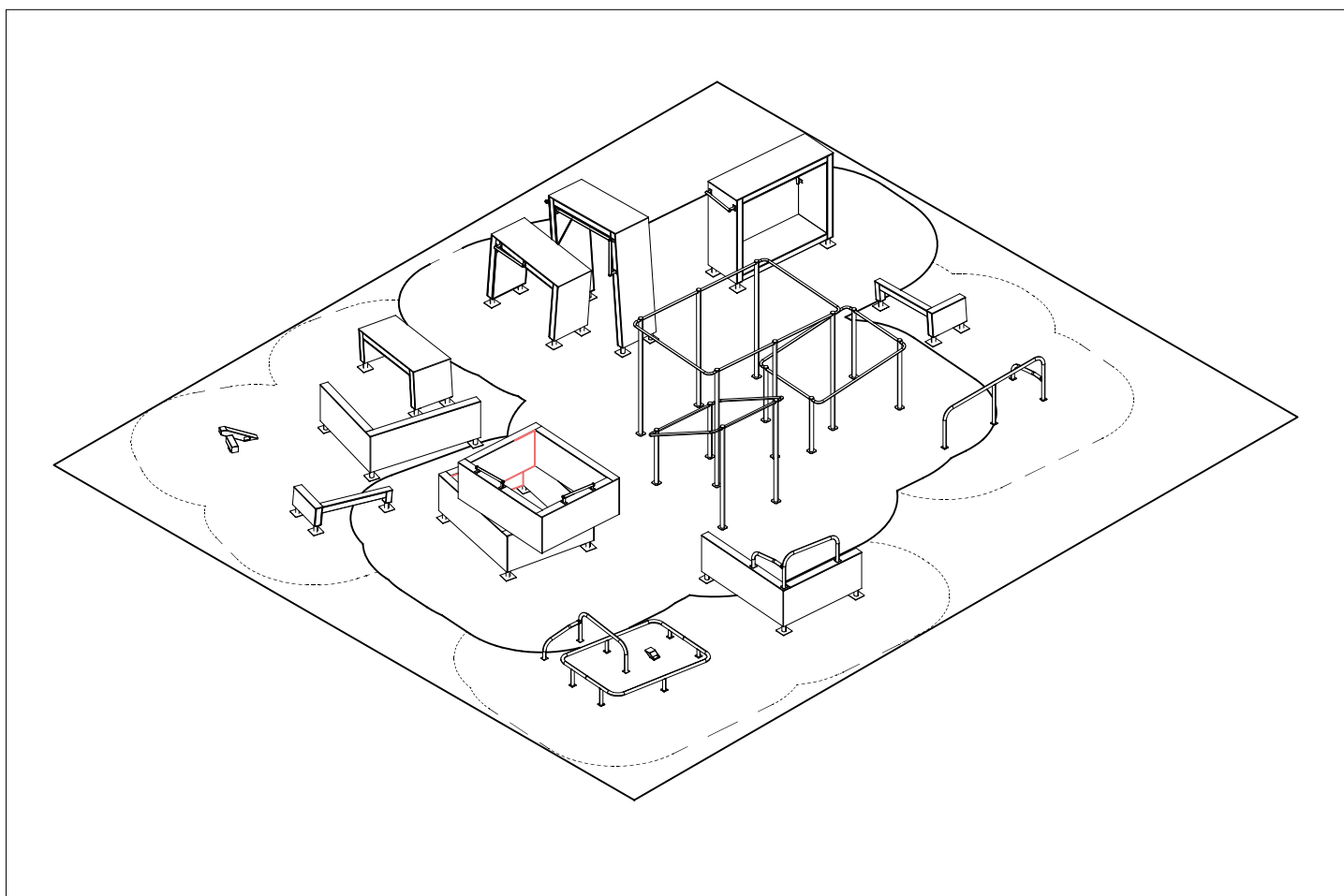
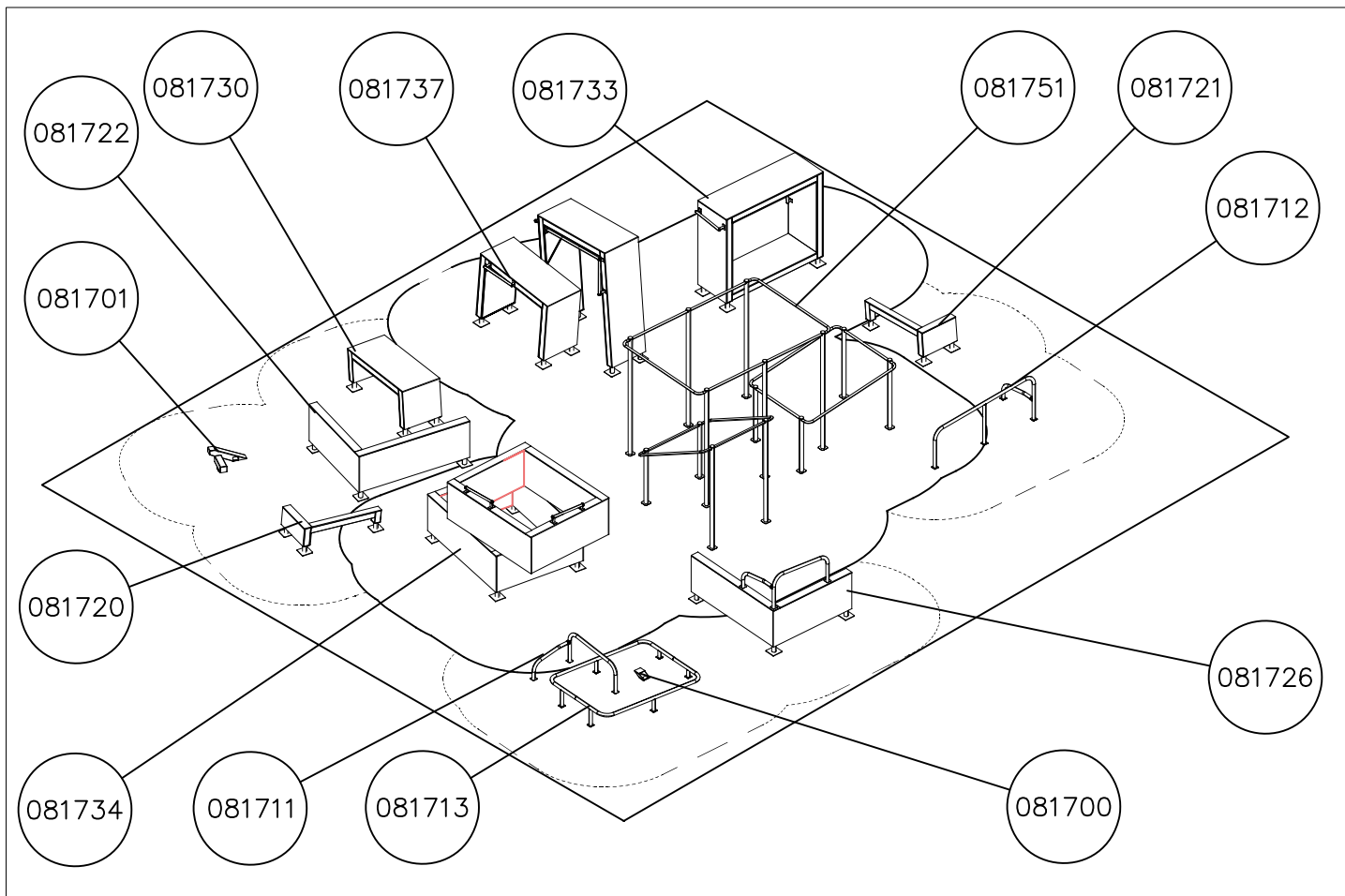


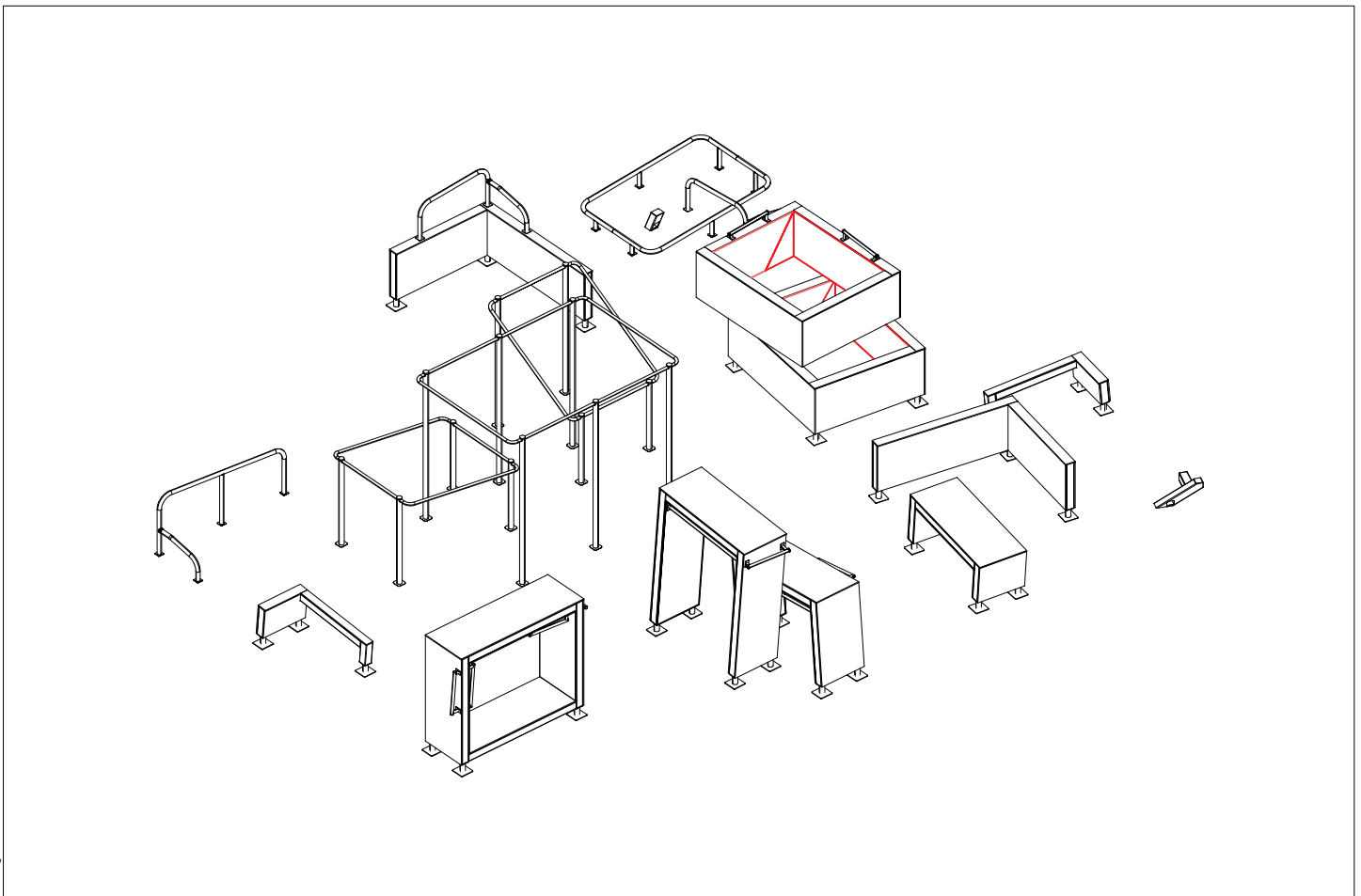
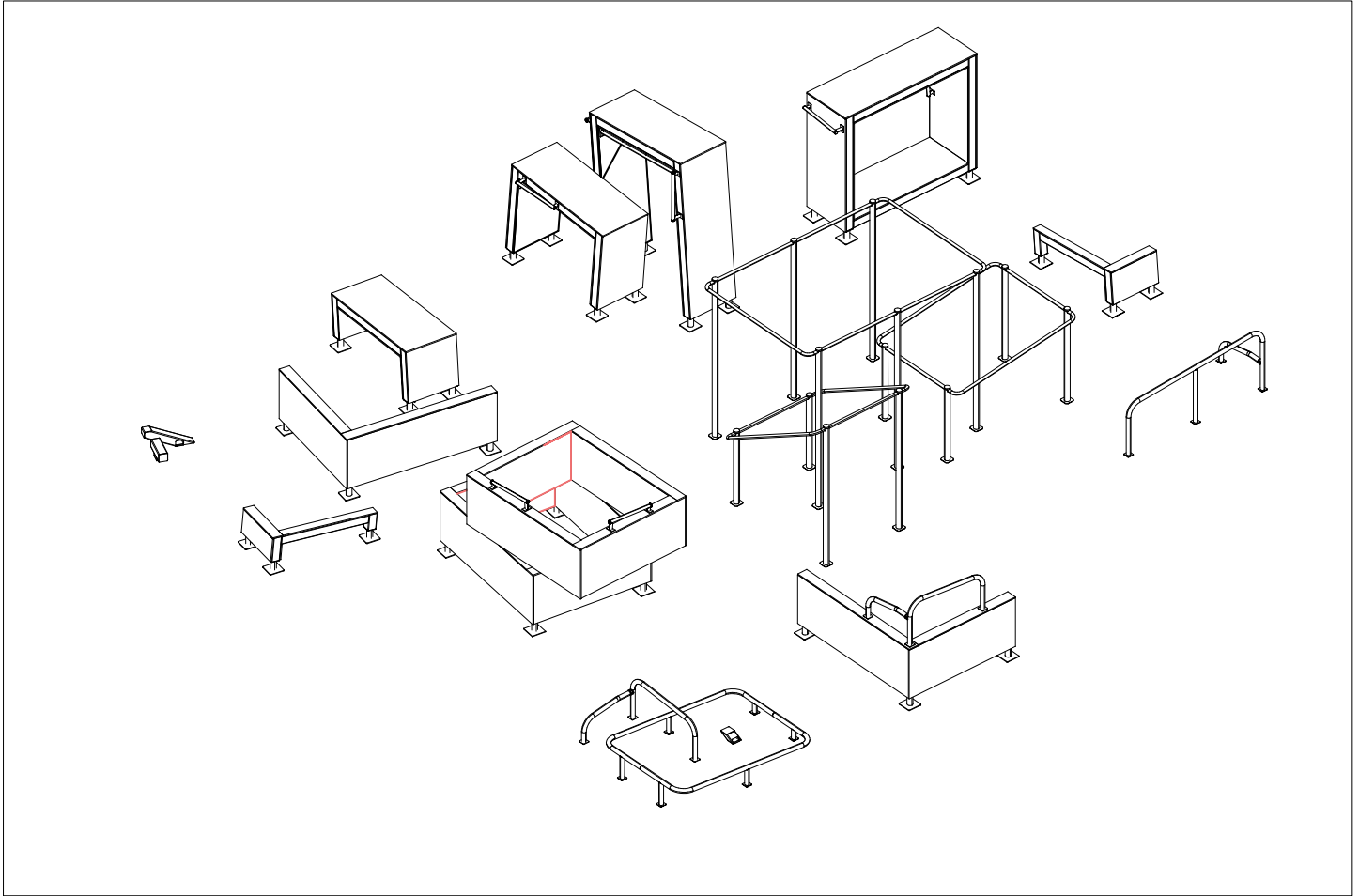


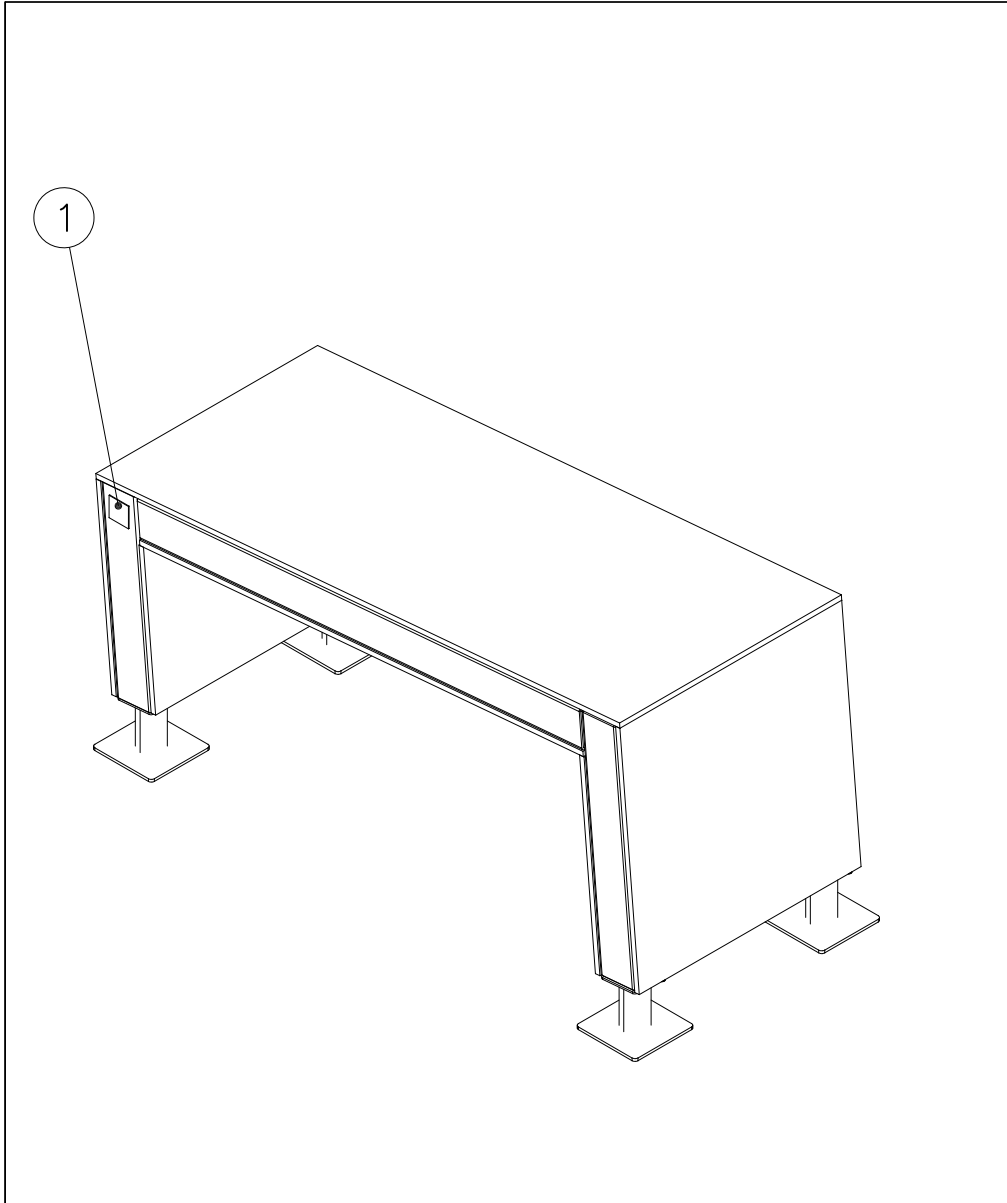
- EN Impact Attenuating Surface (IAS) 102.1 m²
- Falling Space 173.6 m²
- Max Falling Height 2450 mm

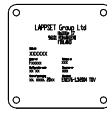
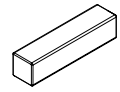


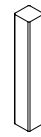
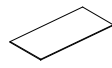


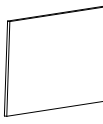

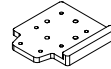



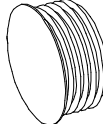
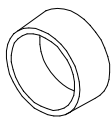
1:125

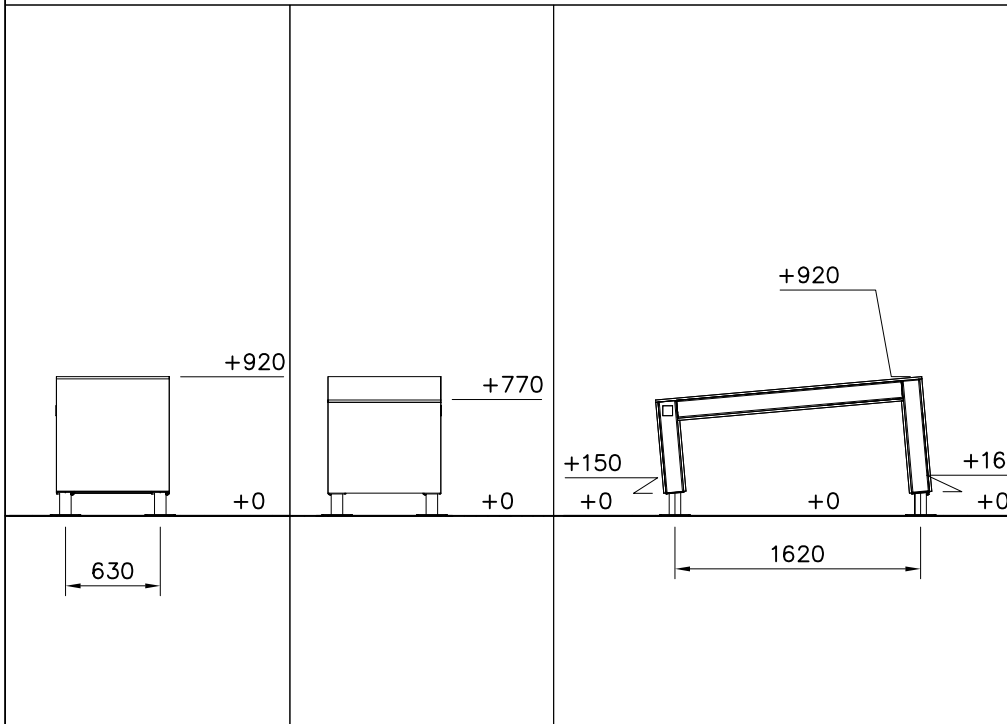


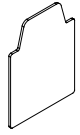
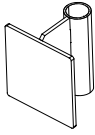


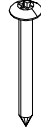




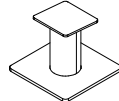



① 702286  65x65	PCS 1	② 707210  118x118x503	PCS 4
③ 707213  118x118x1490	PCS 2	④ 708127  118x118x603	PCS 2
⑤ 708137  118x118x745	PCS 2	⑥ 708721  15x745x1766	PCS 1
⑦ 708725  15x603x745	PCS 1	⑧ 708726  15x745x745	PCS 1
⑨ 708834  15x745x470	PCS 1	⑩ 708835  15x745x612	PCS 1
⑪ 708857 JIG  20x133x149	PCS 1	⑫ 709204  15x745x1495	PCS 1
⑬ 900240  Ø8x70	PCS 32	⑭ 903093  Ø8x90	PCS 8
⑮ 905103  PT-28/32-H	PCS 8	⑯ 905112  Ø22	PCS 8

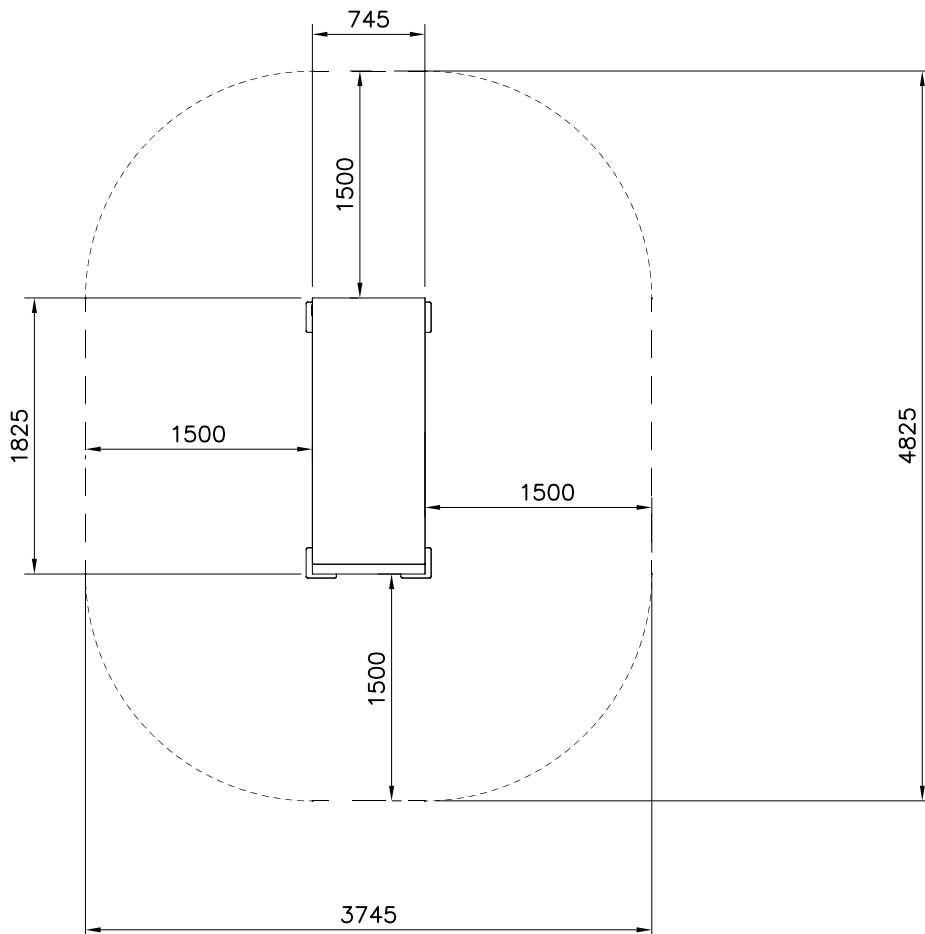
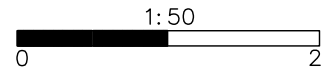


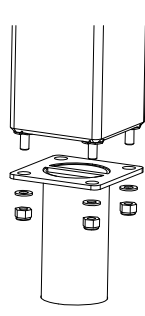
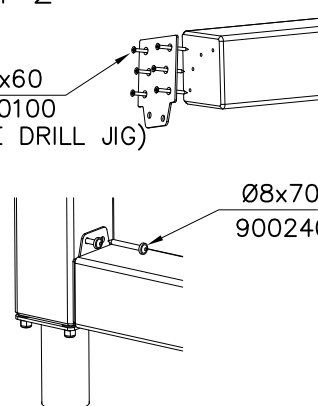
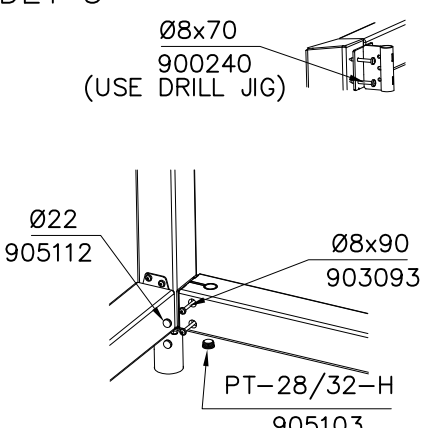
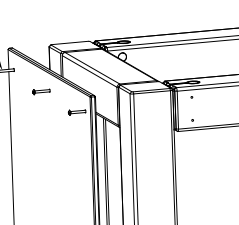
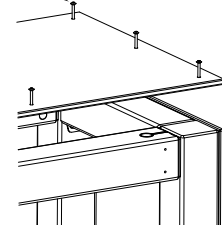
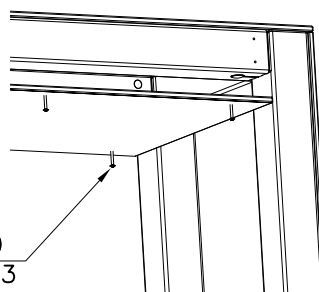
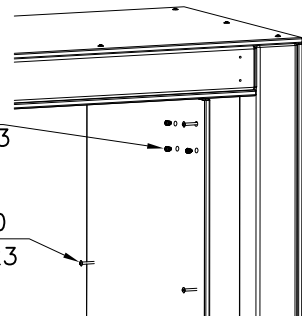
⑰ 908698	PCS	⑱ 910266	PCS	⑲ 980114	PCS	⑳ 980100	PCS	㉑ 980123	PCS		PCS		PCS
	8		4		4		48		38				
3x114x108		90x108x118		Ø4x20		Ø5x60		Ø7x60					
	PCS		PCS		PCS								

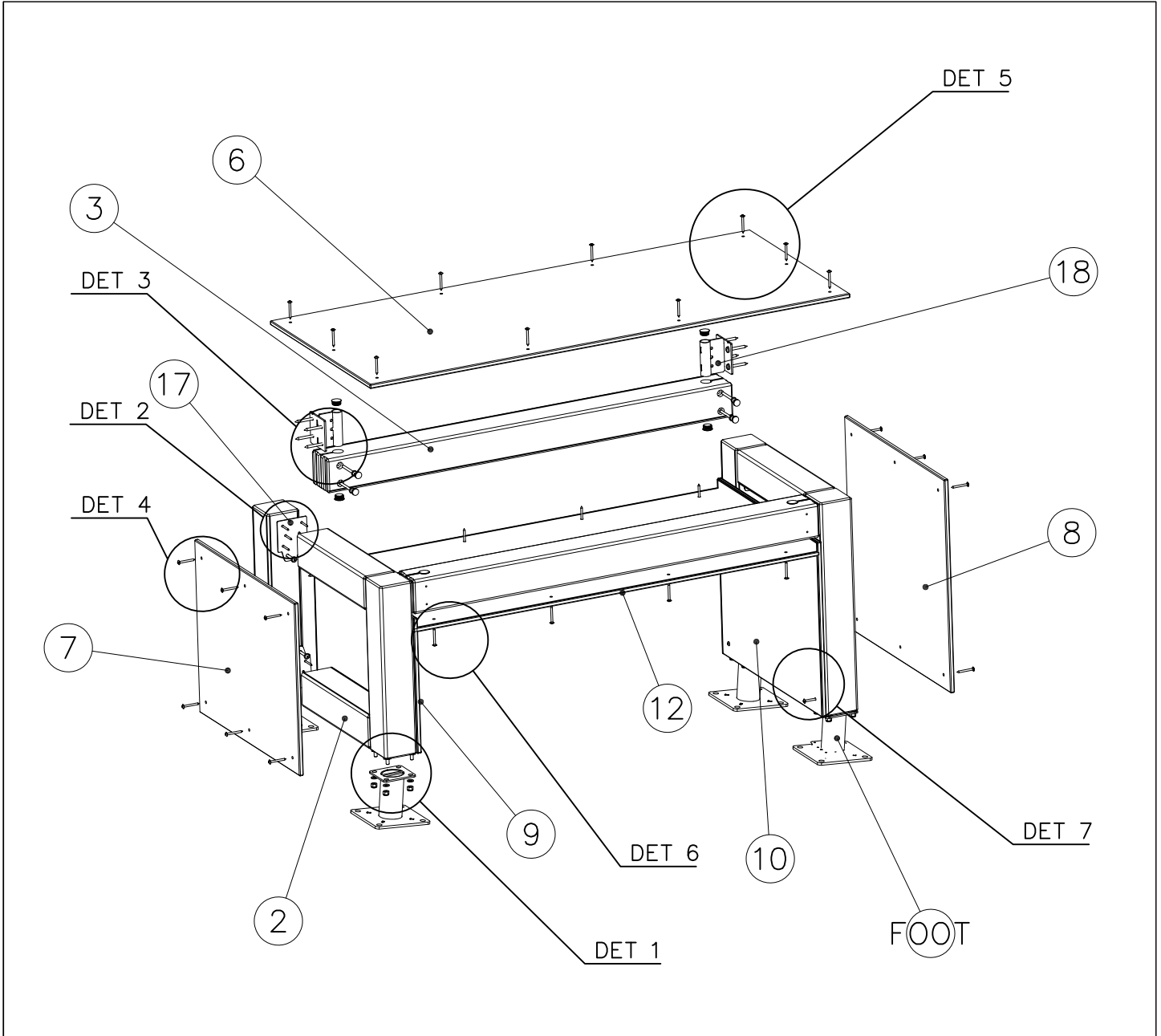
FOOT OPTIONS

709261+		709262+	
○ 910267	PCS	○ 910567	PCS
SURFACE	4	CONCRETE	4
			
152x200x200		117x117x715	

----- Falling Space 16.1 m2
Max Falling Height 920 mm



<p>DET 1</p> 	<p>DET 2</p>  <p>Ø5x60 980100 (USE DRILL JIG)</p> <p>Ø8x70 900240</p>	<p>DET 3</p>  <p>Ø8x70 900240 (USE DRILL JIG)</p> <p>Ø22 905112</p> <p>Ø8x90 903093</p> <p>PT-28/32-H 905103</p>
<p>DET 4</p>  <p>Ø7x60 980123</p>	<p>DET 5</p>  <p>Ø7x60 980123</p>	<p>DET 6</p>  <p>Ø7x60 980123</p>
<p>DET 7</p>  <p>SRL12 903533</p> <p>Ø7x60 980123</p>		



JIG DET A (USE DET 2-3)

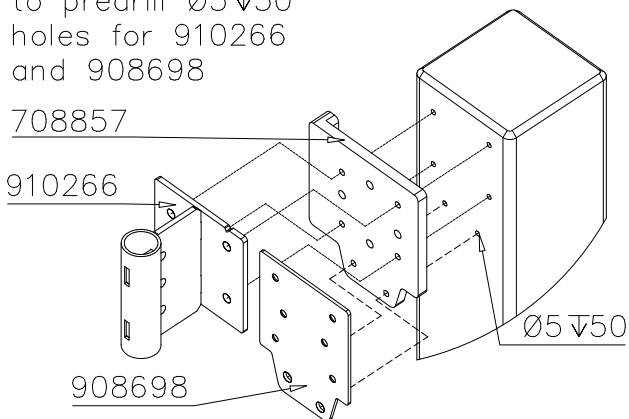
NOTE:

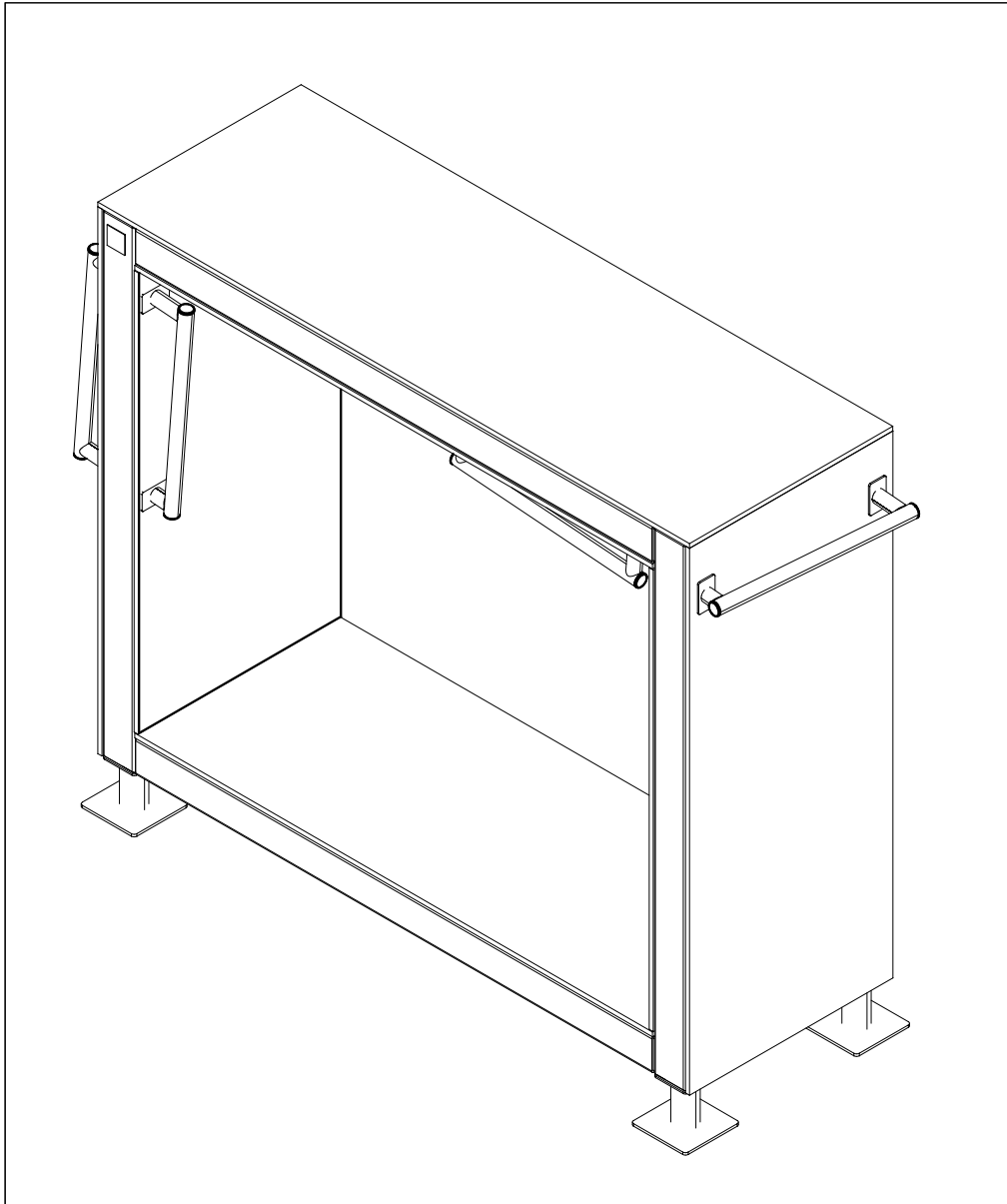
Use drill jig 708857
to predrill $\text{Ø}5 \nabla 50$
holes for 910266
and 908698

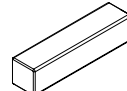
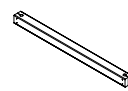


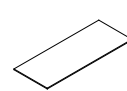
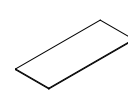
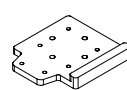
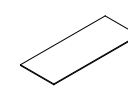
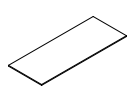

708857

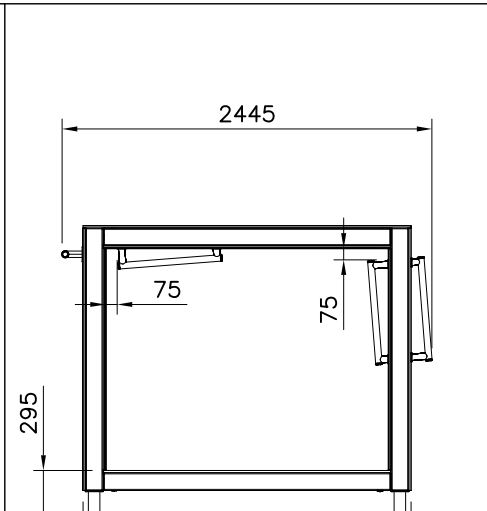
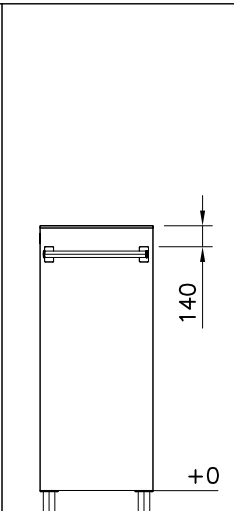
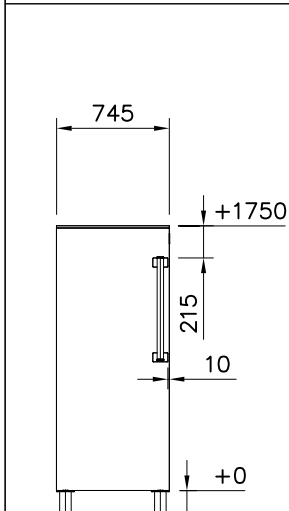
910266





908698

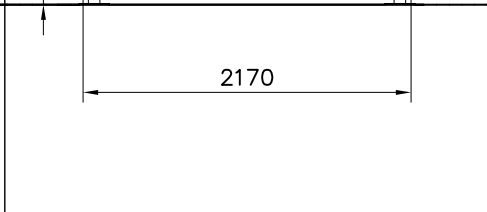
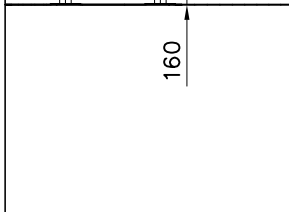



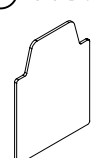


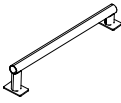
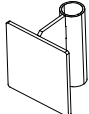


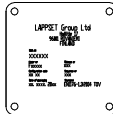
① 707210	PCS	② 707517	PCS
	4		4
118x118x503		118x118x1892	
③ 708346	PCS	④ 708836	PCS
	4		2
118x118x1736		15x745x1736	
⑤ 708837	PCS	⑥ 708839	PCS
	1		1
15x745x2168		15x745x1897	
⑦ 708857 JIG	PCS	⑧ 911288 COLOR	PCS
	1		2
20x133x149		15x745x1465	
⑨ 911289 COLOR	PCS	⑩ 980114	PCS
	1		4
15x745x1897		Ø4x20	



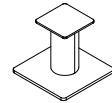
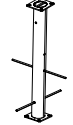
⑪ 900240	PCS	⑫ 903093	PCS
	64		16
Ø8x70		Ø8x90	
⑬ 905103	PCS	⑭ 905112	PCS
	8		16
PT-28/32-H		Ø22	



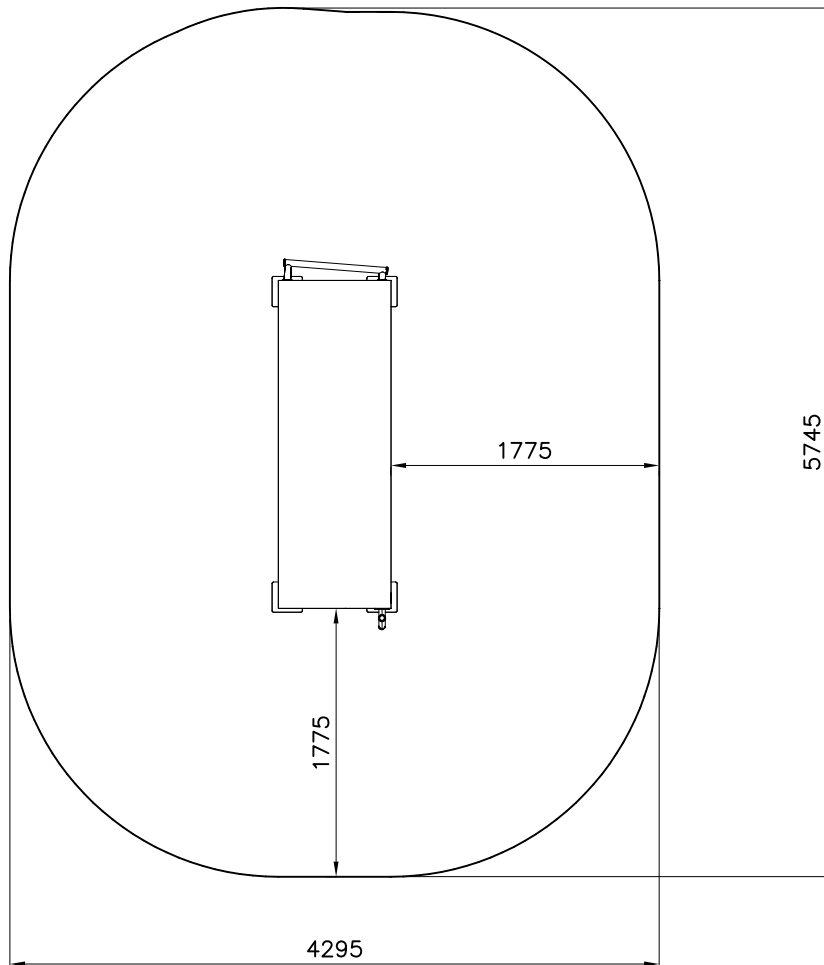
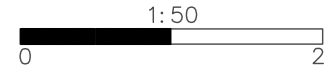
⑮ 908371	PCS	⑯ 908698	PCS
	8		8
42-38/40		3x114x108	

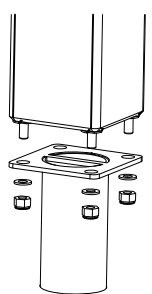
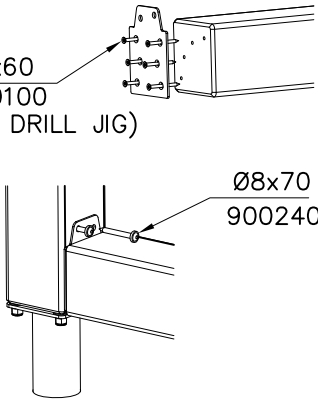
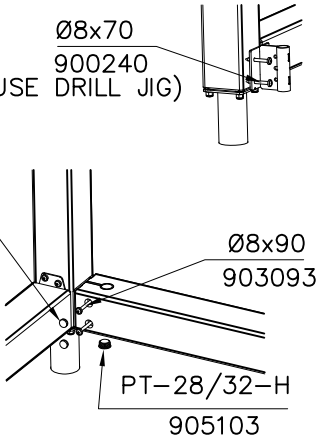
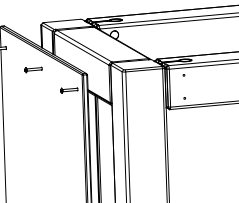
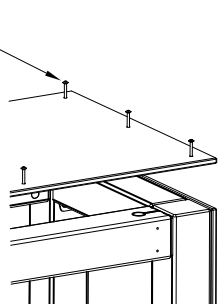
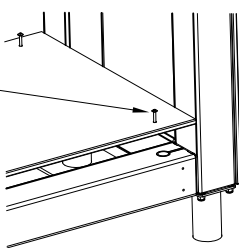
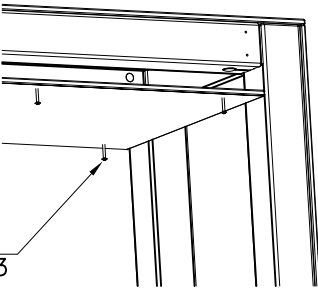
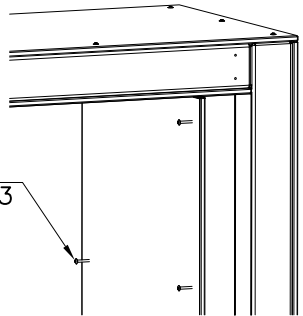
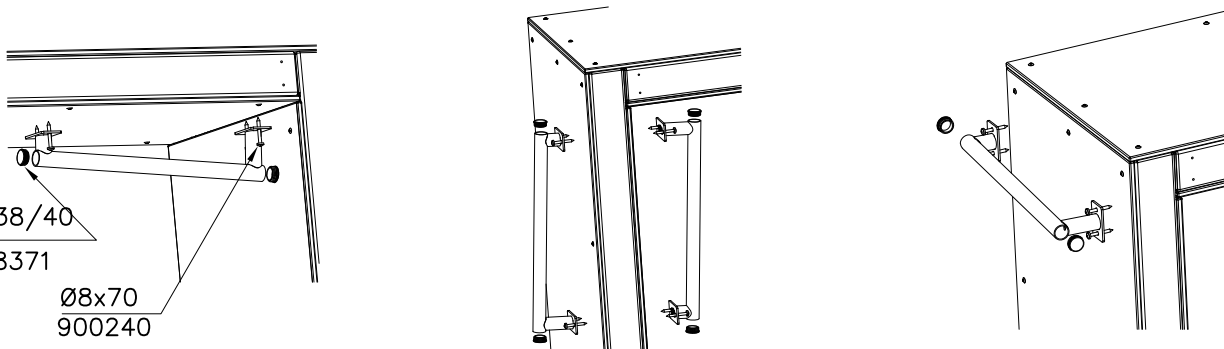
17	910056	PCS	18	910266	PCS	19	980100	PCS	20	980123	PCS	21	702286	PCS		PCS		PCS
		4			8			48			65			1				
	140x690			90x108x118			Ø5x60			Ø7x60			65x65					

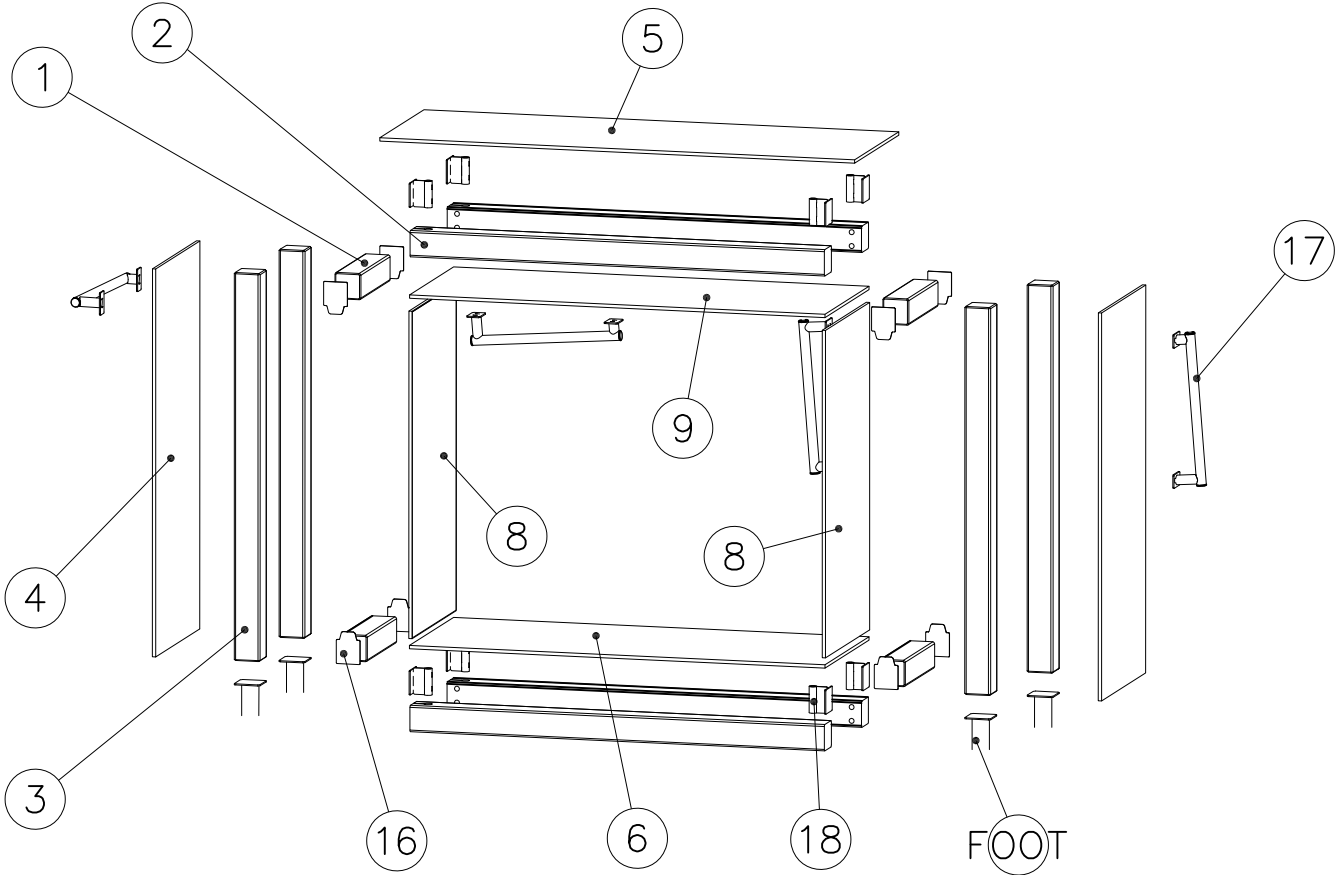
FOOT OPTIONS

709261+		709262+	
<input type="radio"/> 910330	PCS	<input type="radio"/> 910567	PCS
SURFACE	4	CONCRETE	4
			
152x200x200		117x117x715	

- EN Impact Attenuating Surface (IAS) 21.9 m²
- Falling Space 21.9 m²
- Max Falling Height 1910 mm

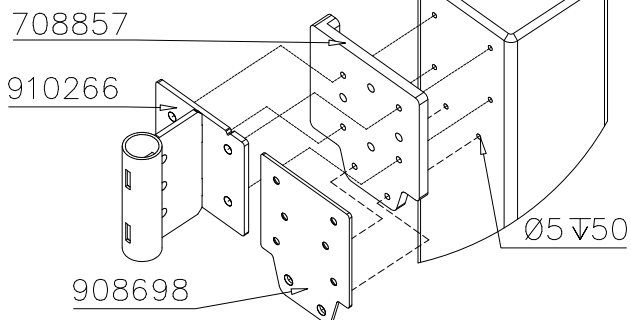


<p>DET 1</p> 	<p>DET 2</p>  <p>Ø5x60 980100 (USE DRILL JIG)</p> <p>Ø8x70 900240</p>	<p>DET 3</p>  <p>Ø8x70 900240 (USE DRILL JIG)</p> <p>Ø22 905112</p> <p>Ø8x90 903093</p> <p>PT-28/32-H 905103</p>
<p>DET 4</p>  <p>Ø7x60 980123</p>	<p>DET 5</p>  <p>Ø7x60 980123</p>	<p>DET 6</p>  <p>Ø7x60 980123</p>
<p>DET 7</p>  <p>Ø7x60 980123</p>	<p>DET 8</p>  <p>Ø7x60 980123</p>	
<p>DET 9 DRILL PREHOLES BEFORE INSTALLING HANDLES</p>  <p>42-38/40 908371</p> <p>Ø8x70 900240</p>		

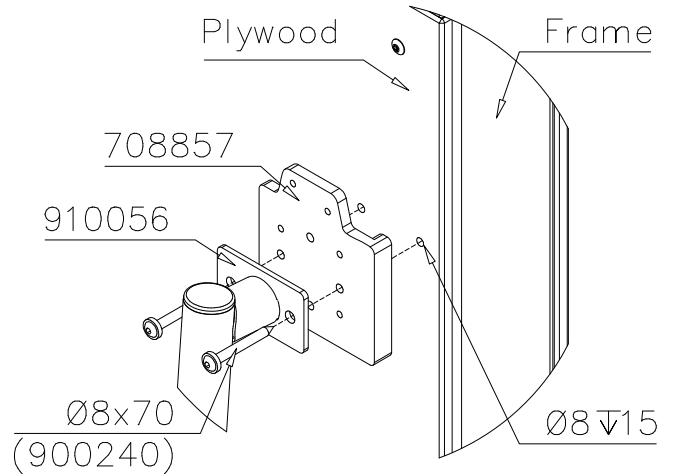


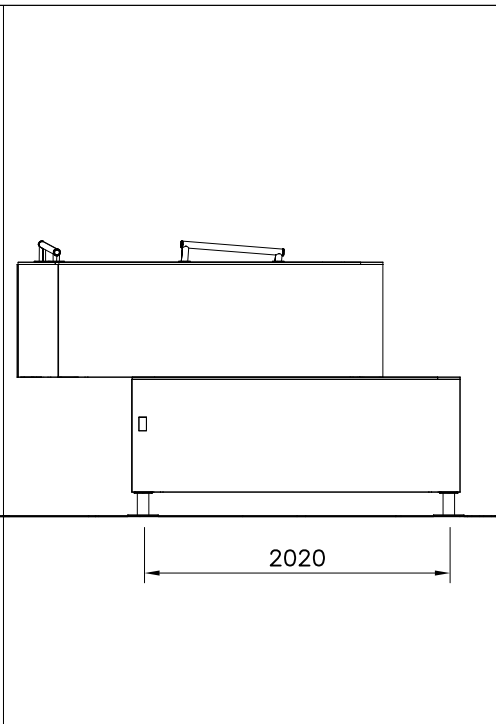
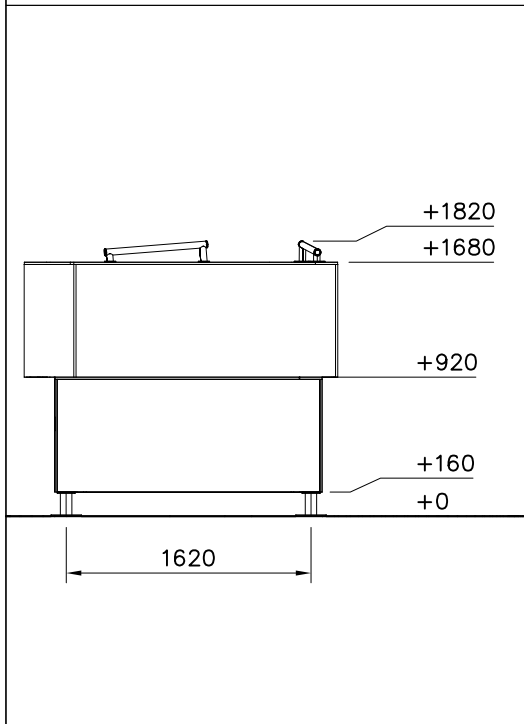
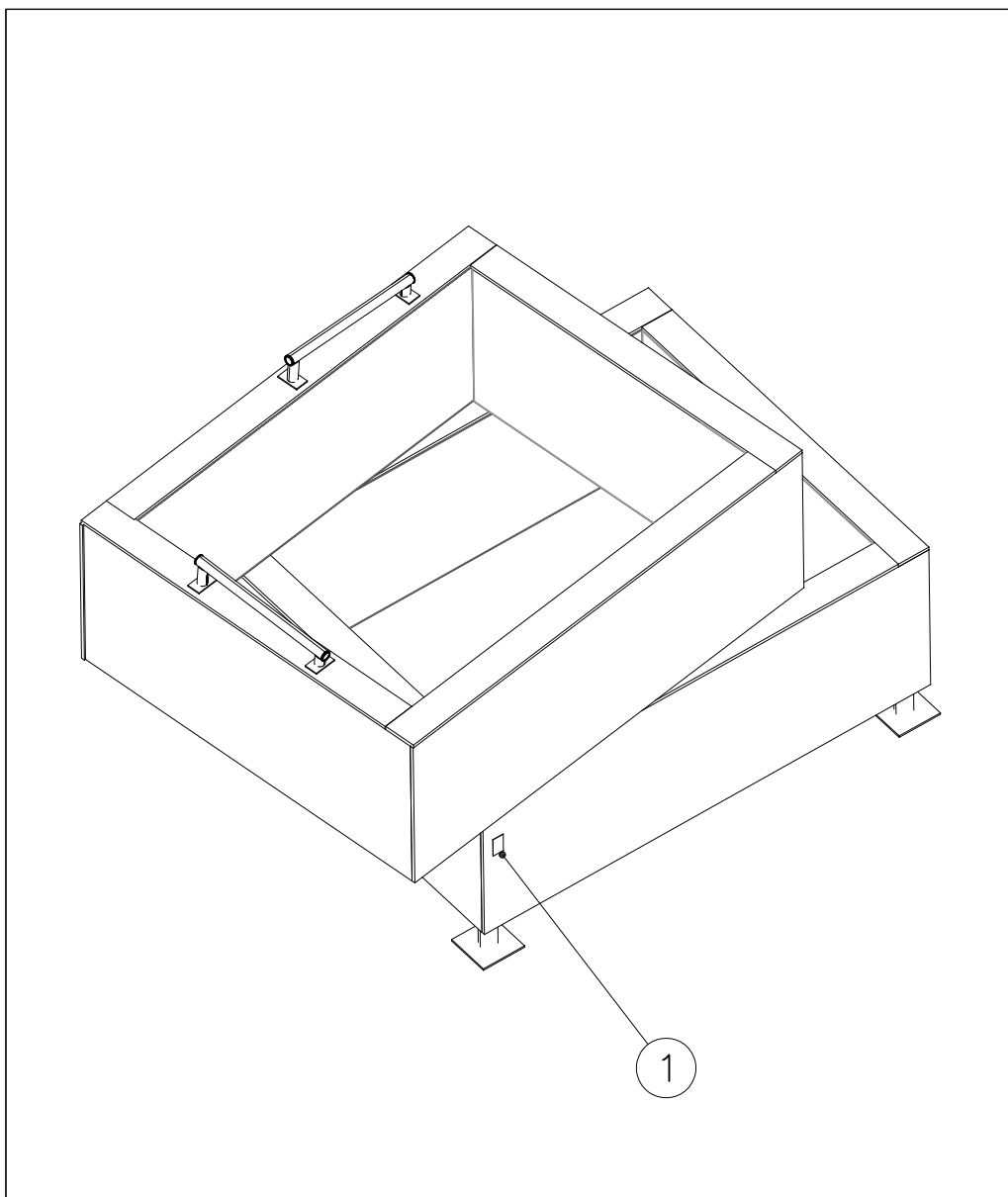
JIG DET A (USE DET 2-3)



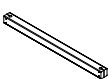

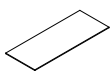
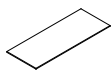
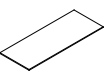


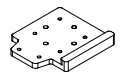
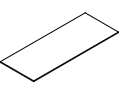
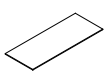
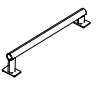



NOTE:
Use drill jig 708857
to predrill $\text{Ø}5 \nabla 50$
holes for 910266
and 908698



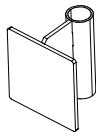









JIG DET B (USE DET 9)

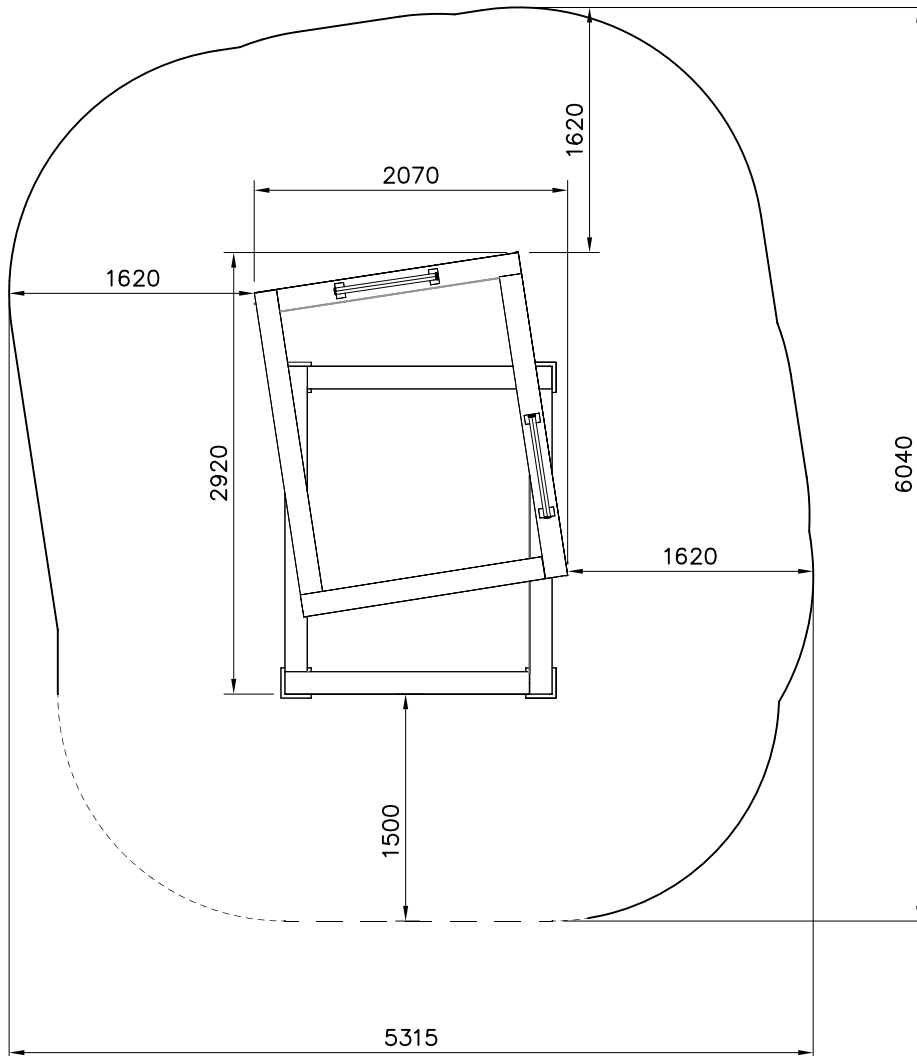
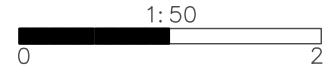




① 702341  90x50	PCS 1	② 707213  118x118x1490	PCS 8
③ 707517  118x118x1892	PCS 8	④ 708137  118x118x745	PCS 4
⑤ 708836  15x745x1736	PCS 4	⑥ 708837  15x745x2168	PCS 4
⑦ 708839  15x745x1897	PCS 2	⑧ 708840  15x148x2018	PCS 4
⑨ 708841  15x148x1616	PCS 4	⑩ 708857 JIG  20x133x149	PCS 1
⑪ 911288 COLOR  15x745x1465	PCS 4	⑫ 911289 COLOR  15x745x1897	PCS 2
⑬ 910056  140x690	PCS 2	⑭ 980123  Ø7x60	PCS 216
⑮ 900240  Ø8x70	PCS 128	⑯ 903093  Ø8x90	PCS 72

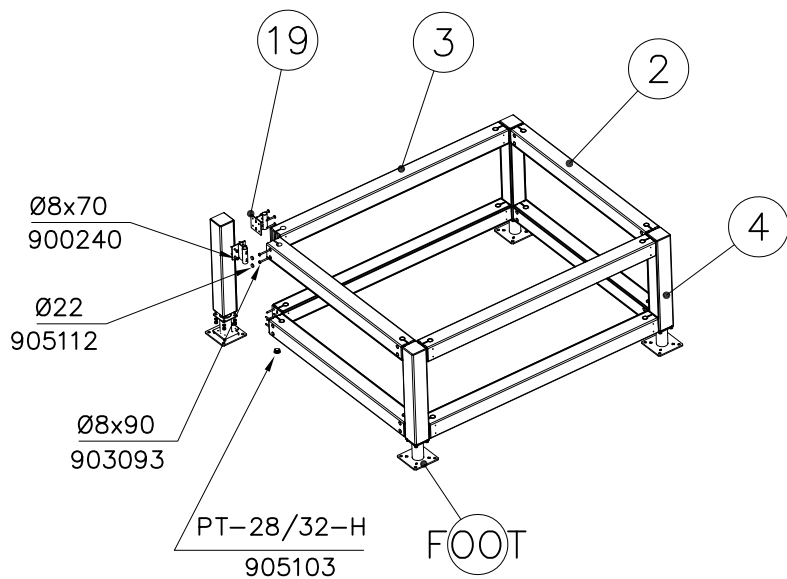
⑰ 905103  PT-28/32-H PCS 24	⑱ 905112  Ø22 PCS 64	⑲ 910266  90x108x118 PCS 32	⑳ 709110  118x118x745 PCS 4	㉑ 905086  Ø44/13.5 x 3.9 PCS 8	㉒ 908371  42-38/40 PCS 4
㉓ 909132  M12x280 PCS 4	㉔ 909248  M12 PCS 4	FOOT OPTIONS 709261+ 709262+			
		㉕ 910330 SURFACE  152x200x200 PCS 4		㉖ 910567 CONCRETE  117x117x715 PCS 4	

- EN Impact Attenuating Surface (IAS) 27.3 m²
- - - - Falling Space 27.3 m²
- Max Falling Height 1820 mm

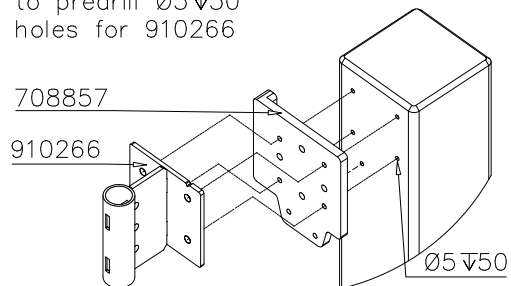


DET 1

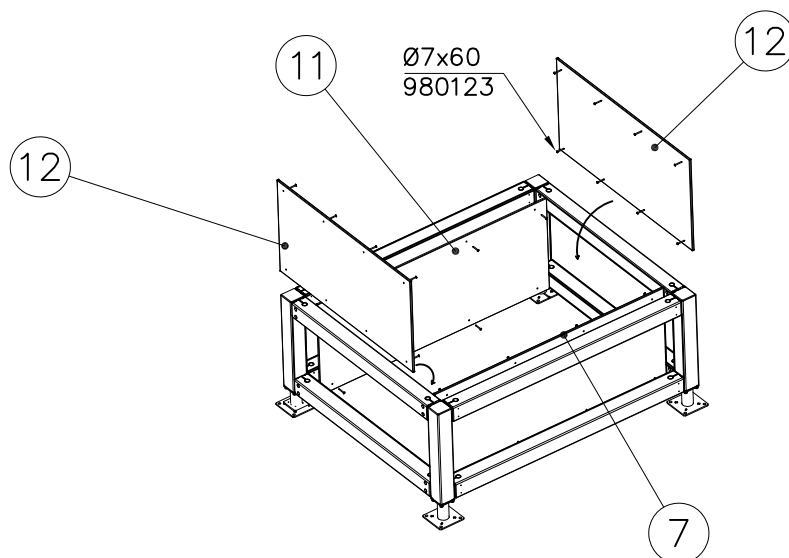
FIRST FLOOR



NOTE:
Use drill jig 708857
to predrill $\text{Ø}5\sqrt{50}$
holes for 910266

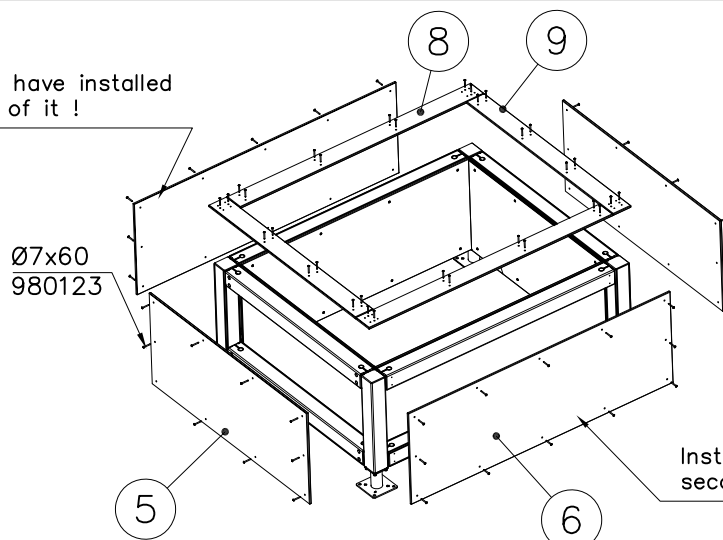


DET 2



DET 3

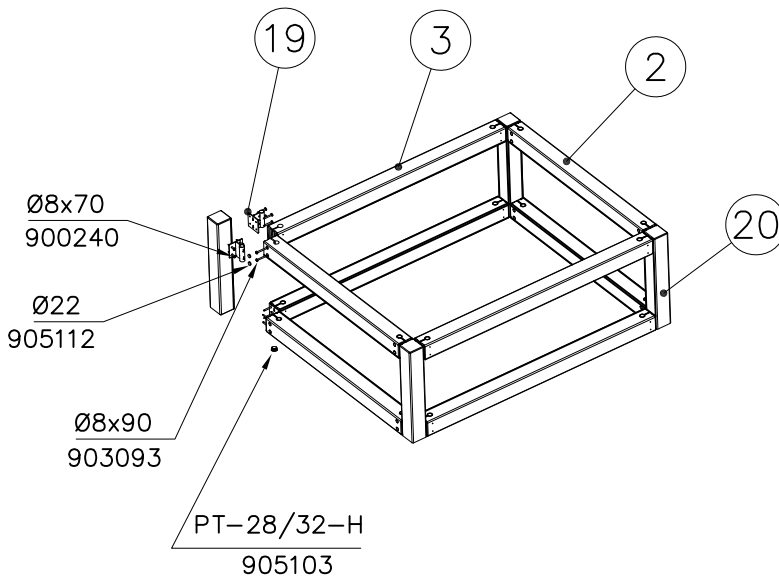
Install this once you have installed
second floor on top of it !



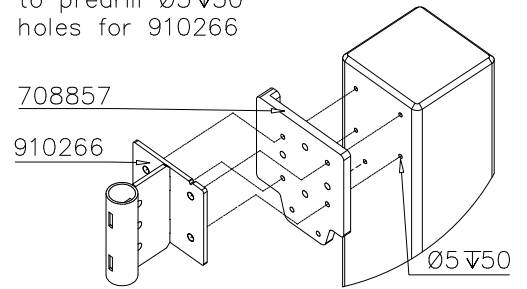
Install this once you have installed
second floor on top of it !

DET 4

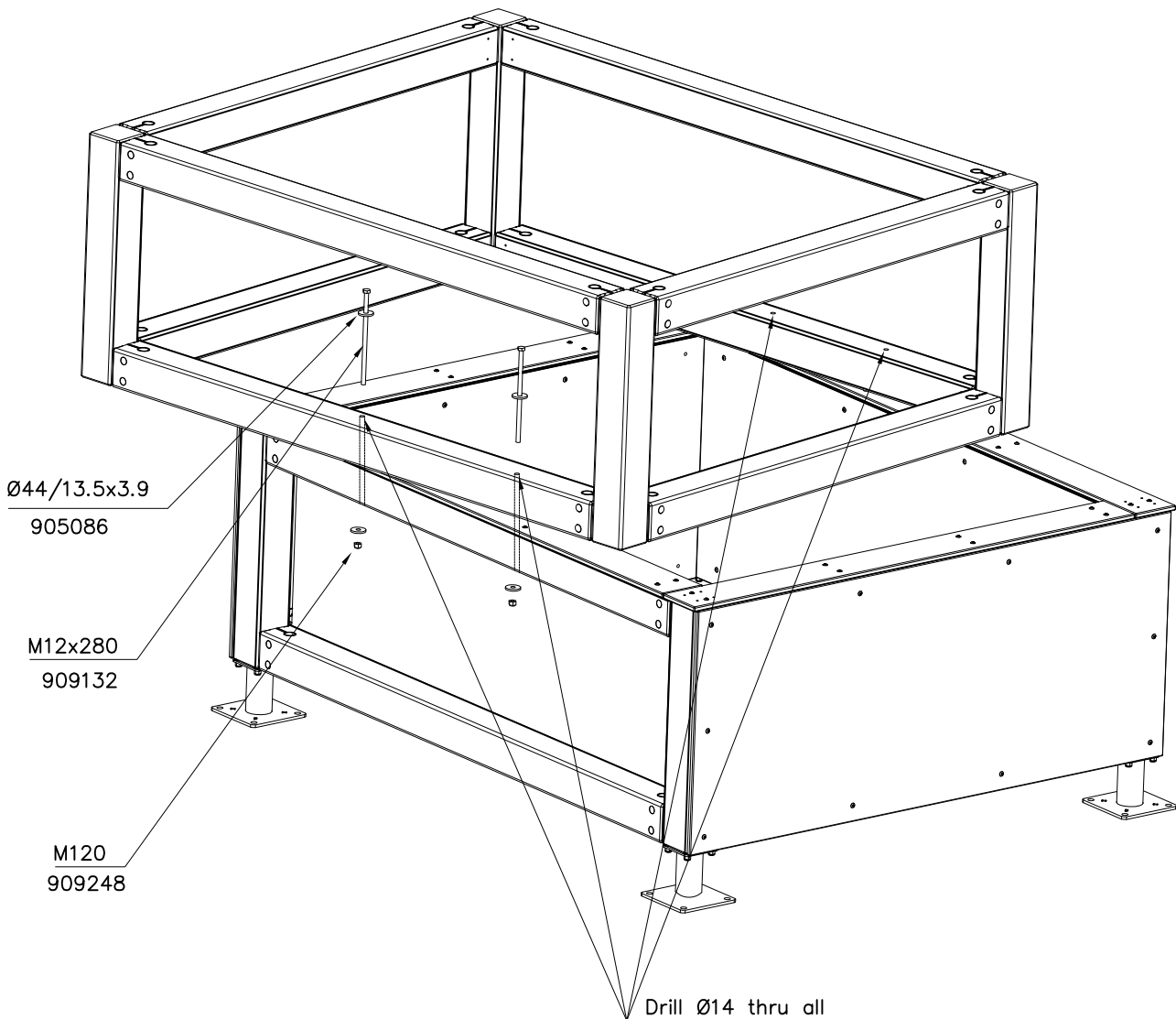
SECOND FLOOR



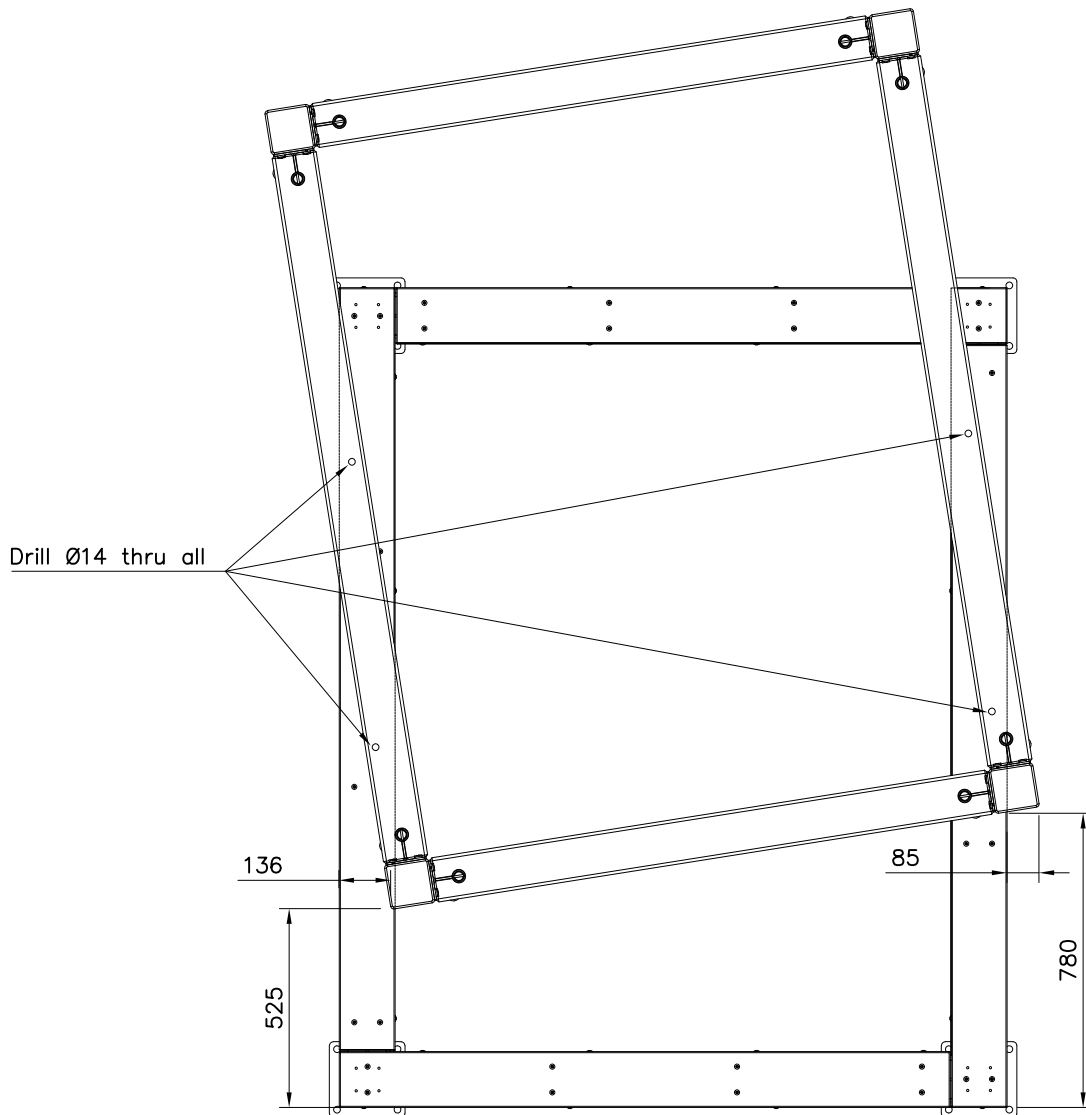
NOTE:
Use drill jig 708857
to predrill $\text{Ø}5\checkmark 50$
holes for 910266



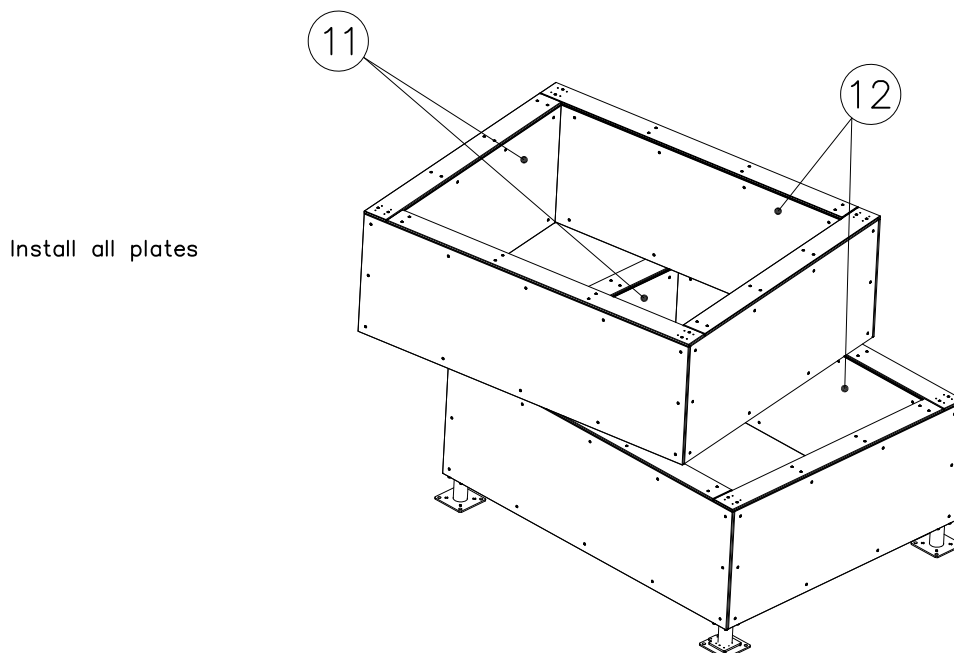
DET 5



DET 6

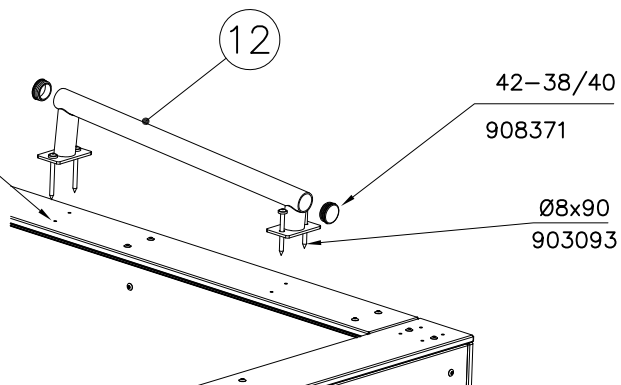


DET 7

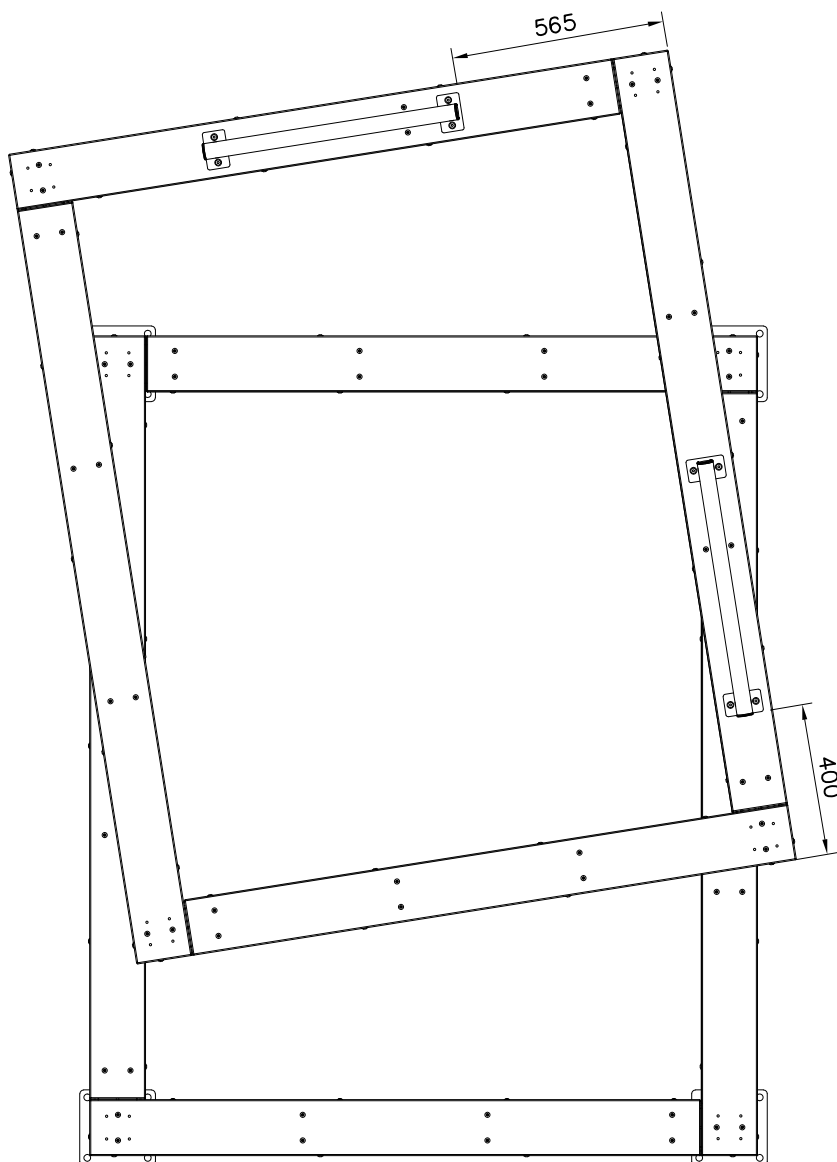


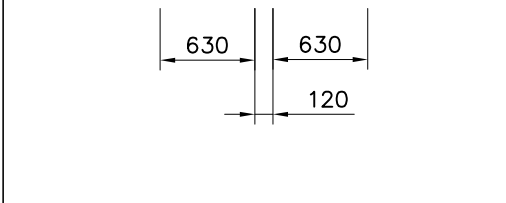
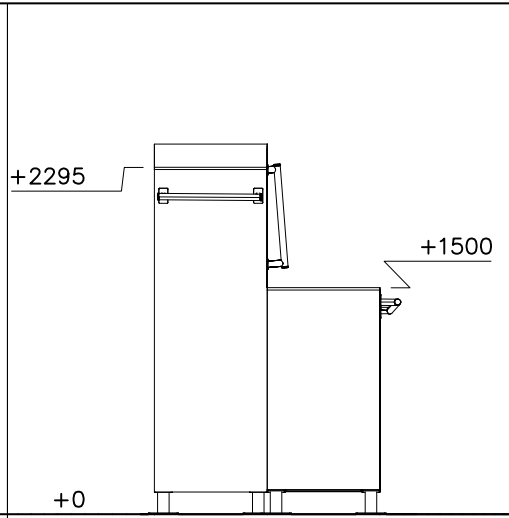
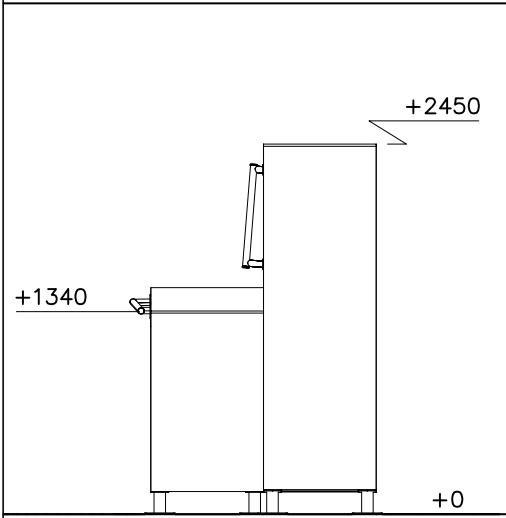
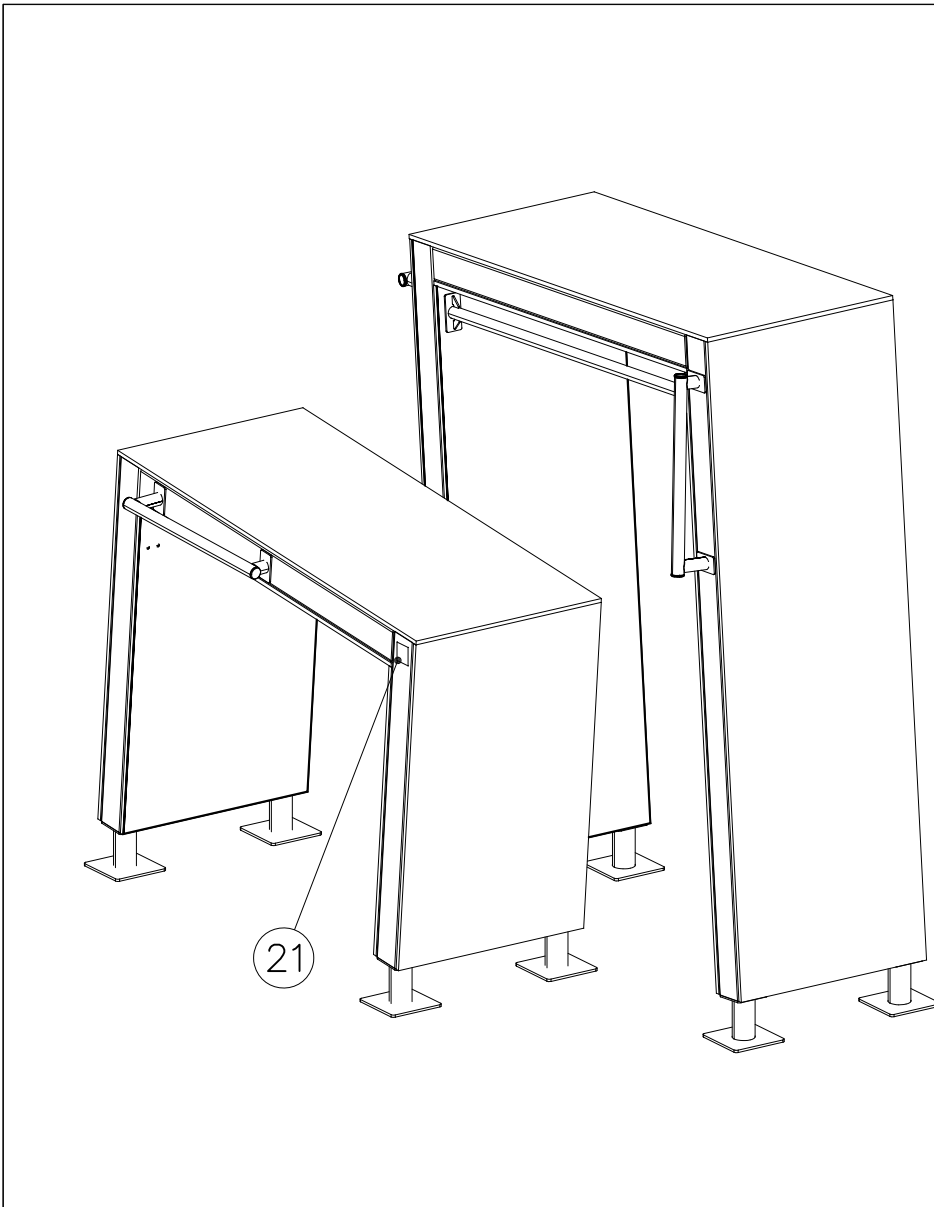
DET 8

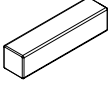





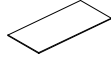
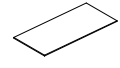
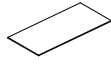
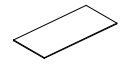
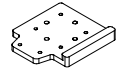





DRILL PREHOLES $\varnothing 6\text{mm}$
BEFORE INSTALLING HANDLES


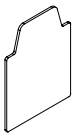
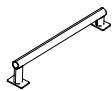
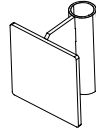





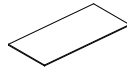
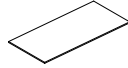
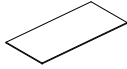


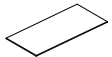




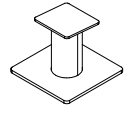
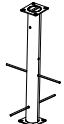


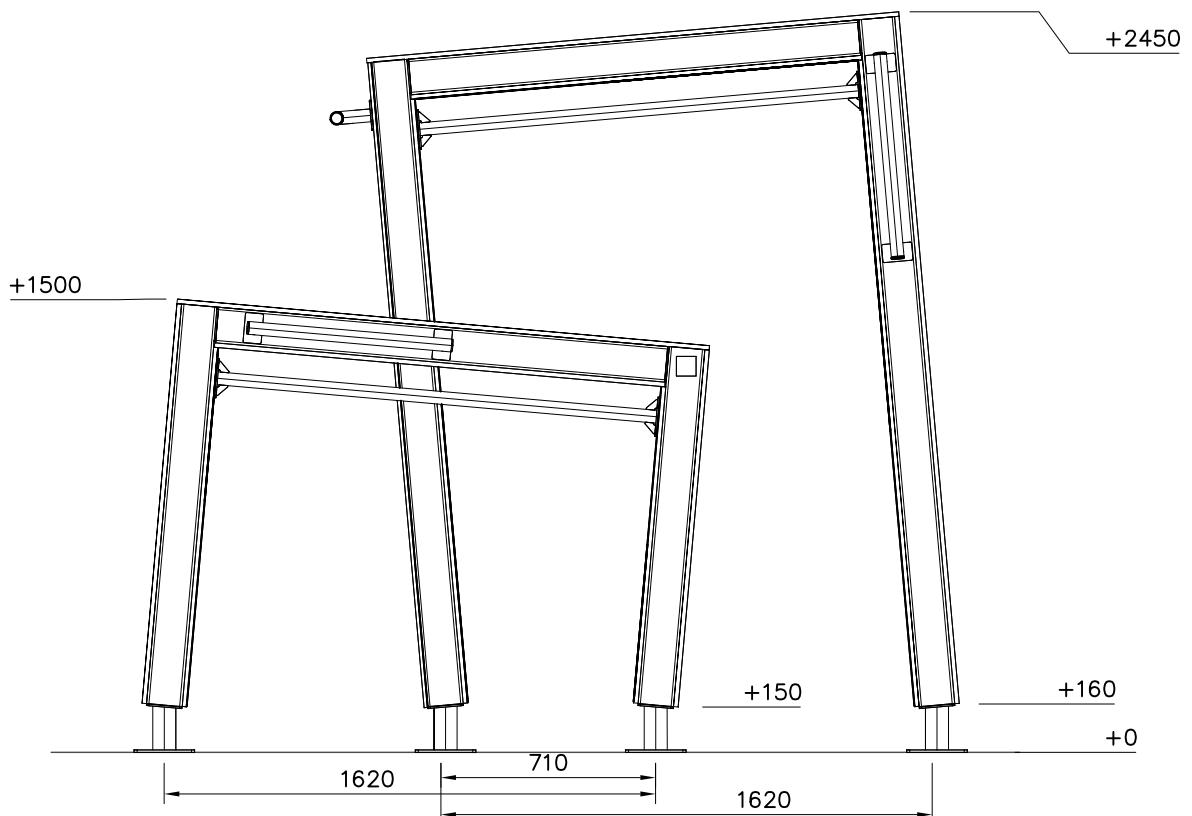
DET 9



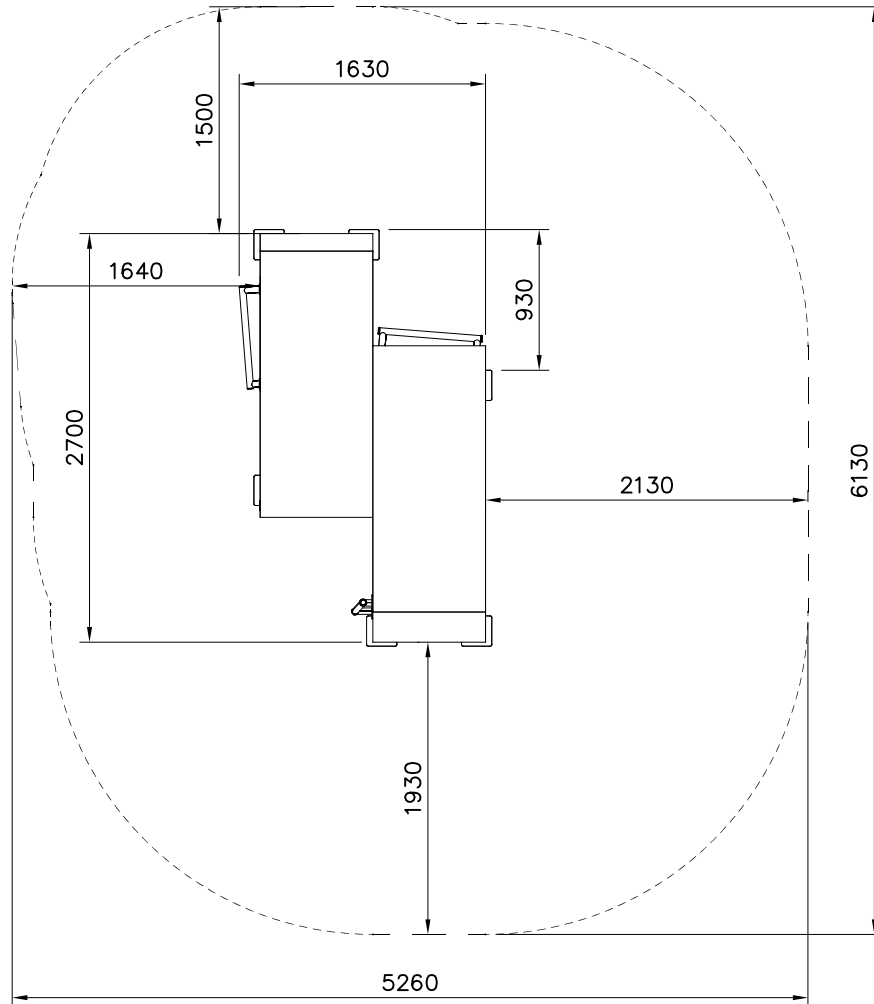
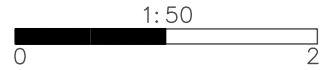


① 707210	PCS	② 707213	PCS
	8		4
118x118x503		118x118x1490	
③ 708042	PCS	④ 708125	PCS
	2		2
118x118x1185		118x118x1326	
⑤ 708522	PCS	⑥ 708688	PCS
	2		2
118x118x2139		118x118x2279	
⑦ 708721	PCS	⑧ 708722	PCS
	2		1
15x745x1766		15x745x2280	
⑨ 708723	PCS	⑩ 708724	PCS
	1		1
15x745x1185		15x745x1326	
⑪ 708857 JIG	PCS	⑫ 900240	PCS
	1		100
20x133x149		Ø8x70	
⑬ 903093	PCS	⑭ 903533	PCS
	16		6
Ø8x90		SRL12	
⑮ 905103	PCS	⑯ 905112	PCS
	16		16
PT-28/32-H		Ø22	

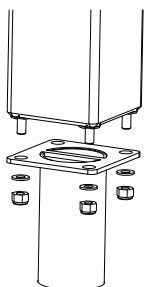
17 908371 PCS  42-38/40 6	18 908698 PCS  3x114x108 16	19 910056 PCS  140x690 3	20 910266 PCS  90x108x118 8	21 702286 PCS  65x65 1	22 910328 PCS  L 1466 3	23 980100 PCS  Ø5x60 96	24 980123 PCS  Ø7x60 106	25 911297 MURAL  12x745x2140 1	26 911293 COLOR  15x745x2145 1	27 911295 COLOR  15x745x2004 1	28 911301 COLOR  15x745x1495 1	29 911103 COLOR  15x745x1495 1	30 911305 COLOR  15x745x1192 1	31 911307 COLOR  15x745x1050 1	32 905086 PCS  Ø44/13.5x3.9 31	33 909132 PCS  M12x280 2	34 909248 PCS  M12 1	35 980114 PCS  Ø4x20 4	FOOT OPTIONS 709261+ 709262+ 910267 SURFACE  152x200x200 8	910567 CONCRETE  117x117x715 8
---	---	--	---	---	---	---	--	--	--	---	--	---	--	--	--	---	--	--	---	--



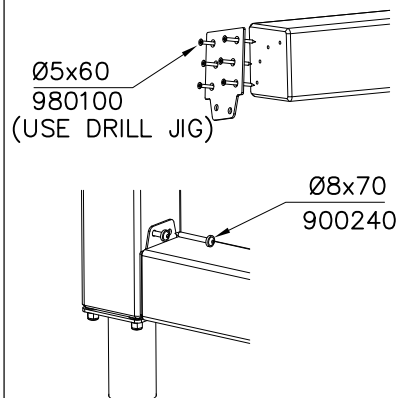
- EN Impact Attenuating Surface (IAS) 27.6 m²
- - - - Falling Space 27.6 m²
- Max Falling Height 2450 mm



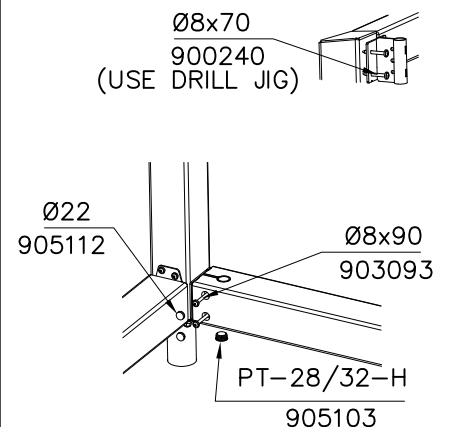
DET 1

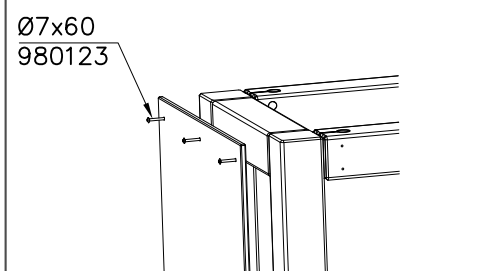
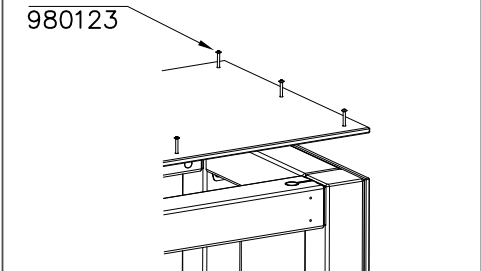
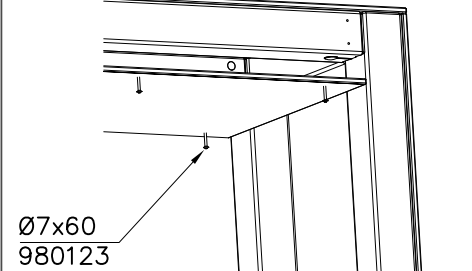
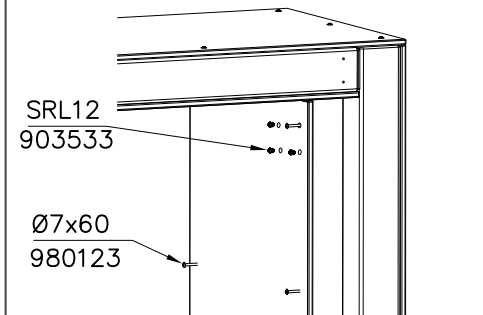
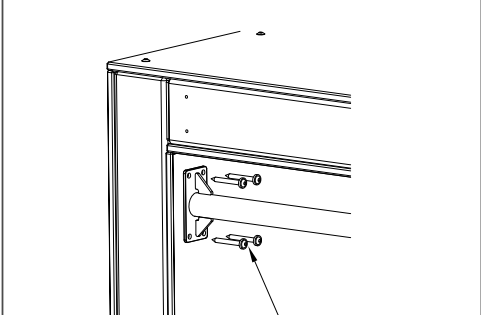
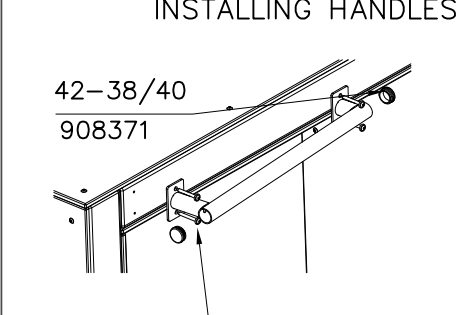
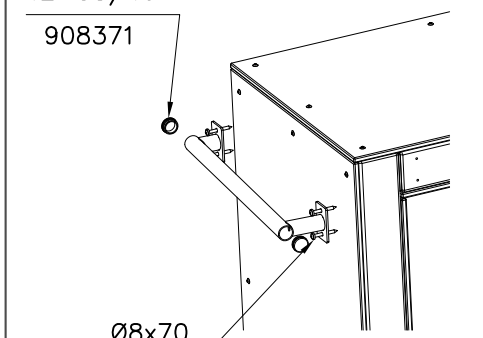



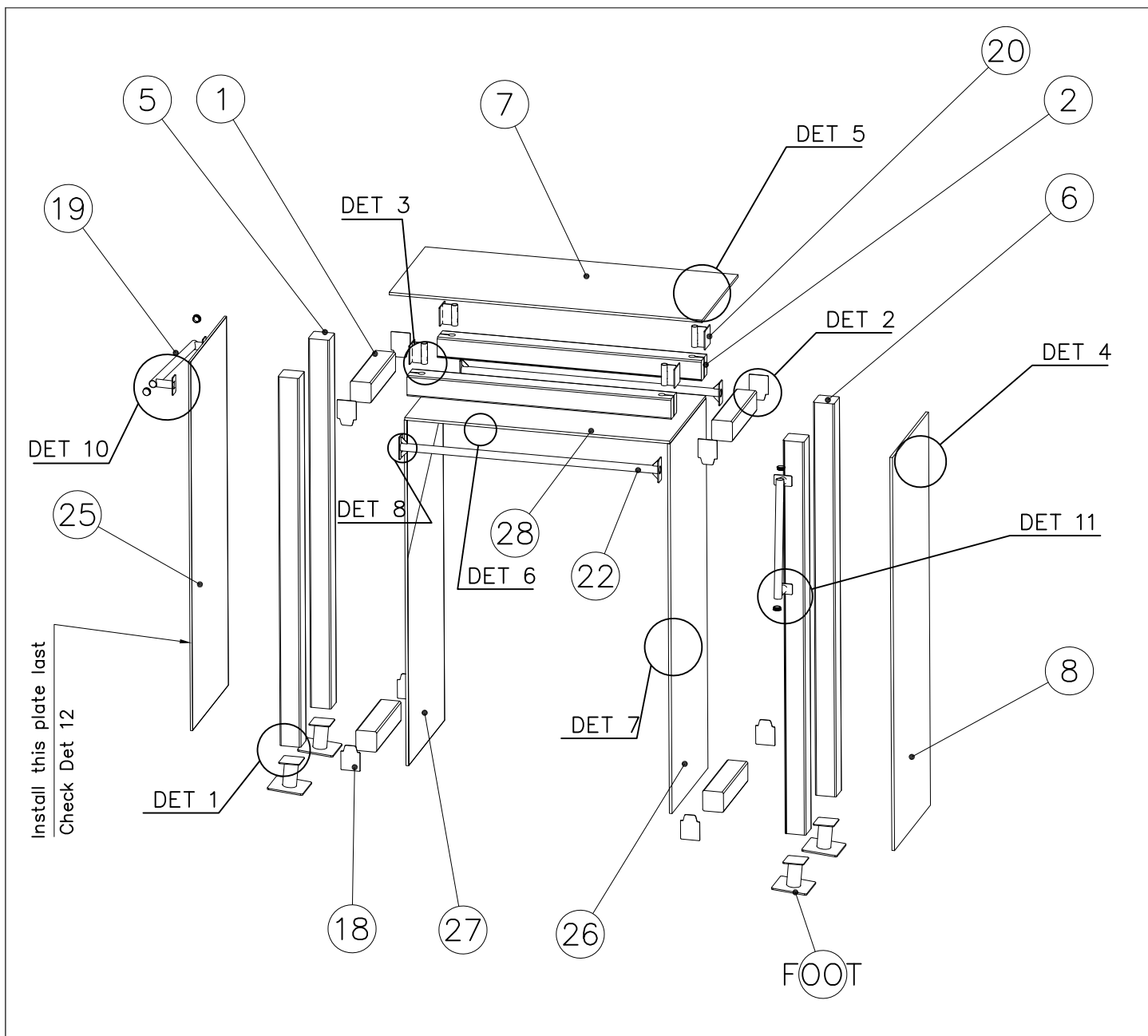
DET 2



DET 3



<p>DET 4</p>  <p>Ø7x60 980123</p>	<p>DET 5</p>  <p>Ø7x60 980123</p>	<p>DET 6</p>  <p>Ø7x60 980123</p>
<p>DET 7</p>  <p>SRL12 903533</p> <p>Ø7x60 980123</p>	<p>DET 8</p>  <p>Ø8x70 900240</p>	<p>DET 9 DRILL PREHOLES Ø6mm BEFORE INSTALLING HANDLES</p>  <p>42-38/40 908371</p> <p>Ø8x70 900240</p>
<p>DET 10</p> <p>42-38/40 908371</p>  <p>Ø8x70 900240</p>	<p>DET 11 DRILL PREHOLES BEFORE INSTALLING HANDLES</p>  <p>Ø8x70 900240</p> <p>42-38/40 908371</p>	



JIG DET A (USE DET 2-3)

NOTE:

Use drill jig 708857 to predrill $\varnothing 5 \nabla 50$ holes for 910266 and 908698

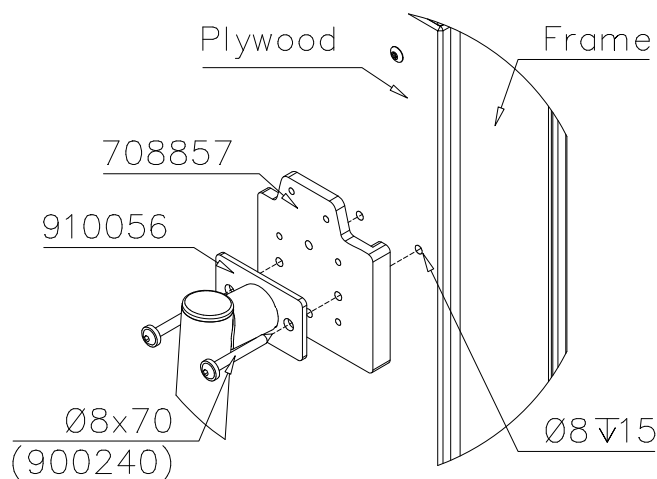
708857

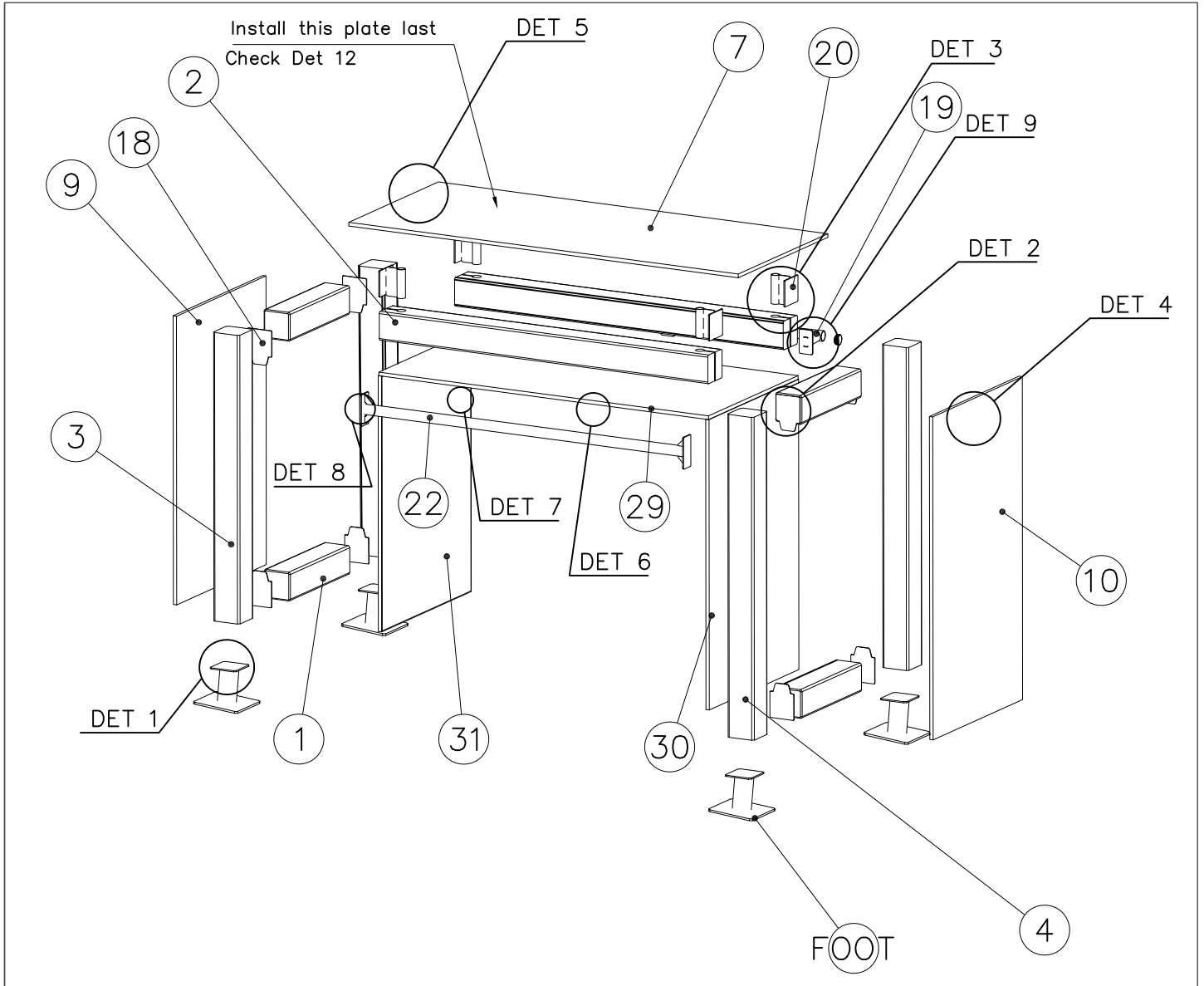
910266

908698

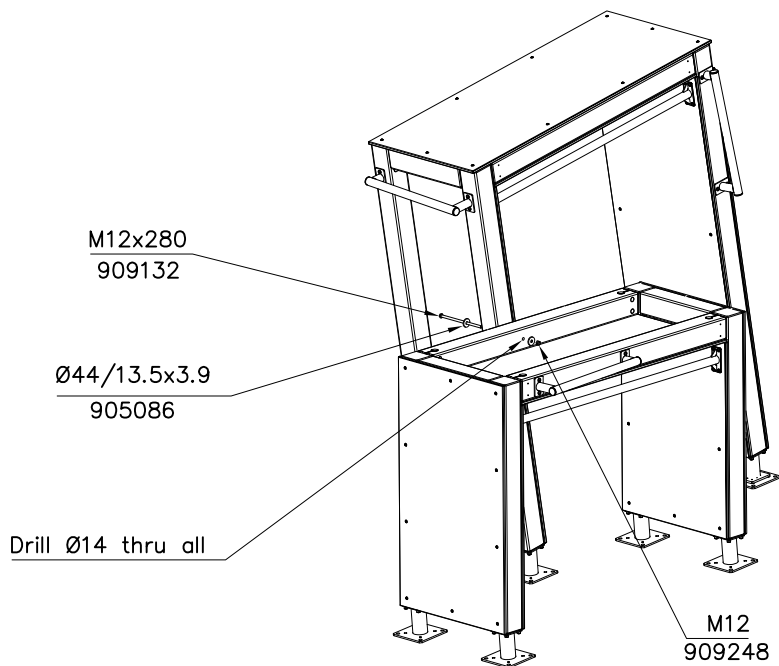
$\varnothing 5 \nabla 50$

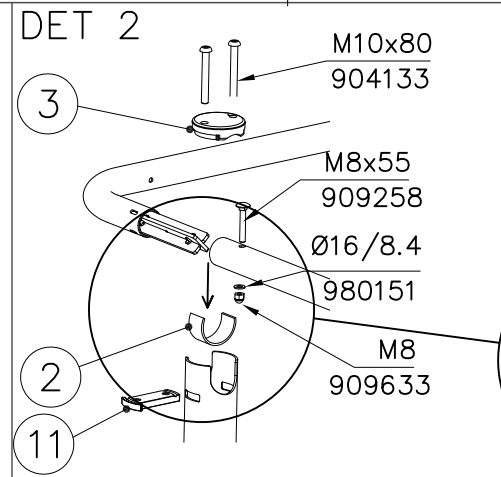
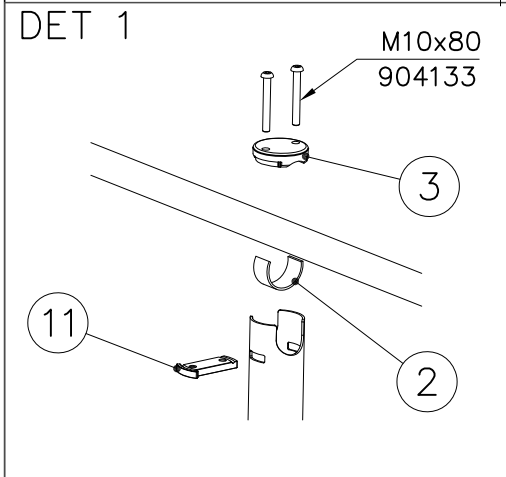
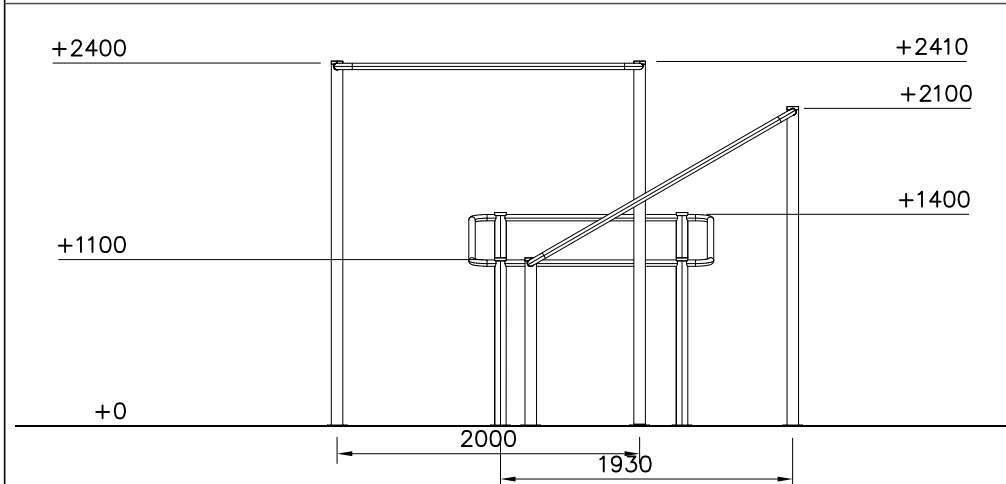
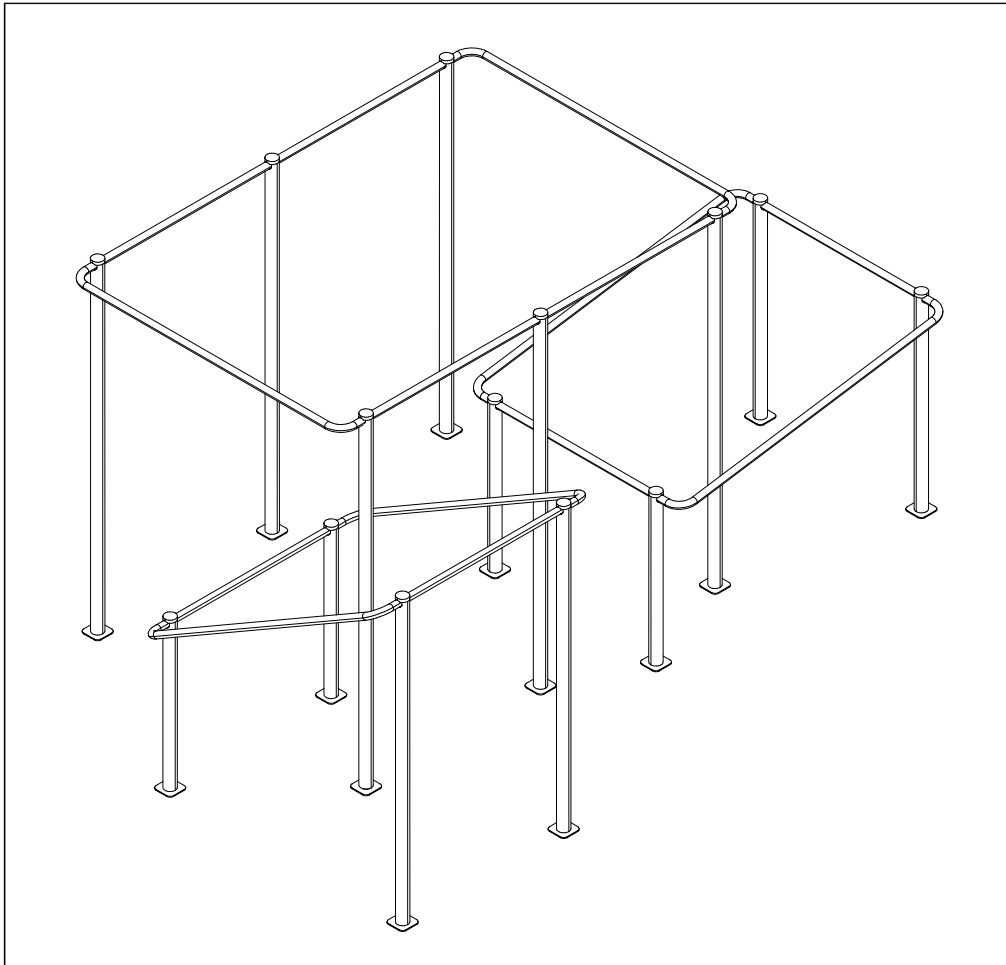
JIG DET B (USE DET 11)

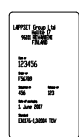
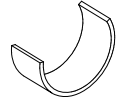


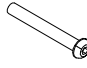


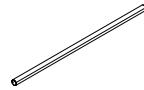


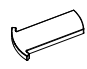


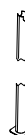



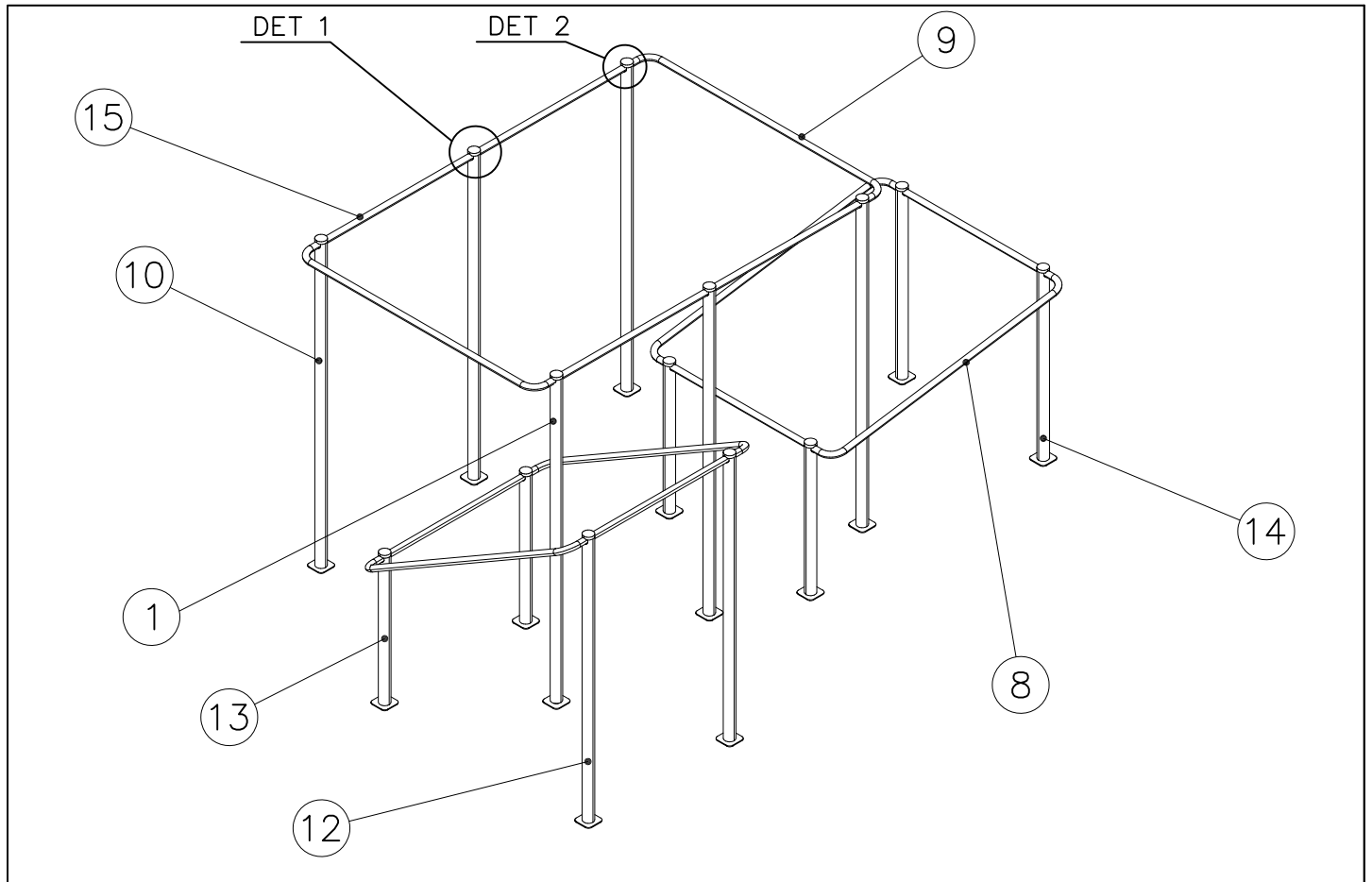


DET 12





① 702341	PCS	② 704879	PCS
	1		14
90x50		3x30x120mm	
③ 708880	PCS	④ 980151	PCS
	14		12
Ø77x20		Ø16/8.4	
⑤ 904133	PCS	⑥ 909258	PCS
	28		12
M10x80		M8x55	
⑦ 909633	PCS	⑧ 910547	PCS
	12		4
M8		Ø42.4x1200	
⑨ 910549	PCS	⑩ 910556	PCS
	6		6
Ø42.4x286x2042		L 2400	
⑪ 910557	PCS	⑫ 910563	PCS
	14		2
10x45x87		L 2100	
⑬ 910564	PCS	⑭ 910565	PCS
	4		2
L 1100		L 1400	
		⑮ 910704	PCS
			2
		Ø42.4x2600	



— EN Impact Attenuating Surface (IAS) 48.8 m²

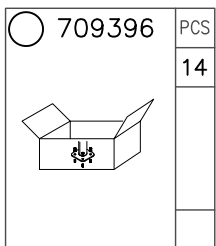
- - - Falling Space 48.8 m²

Max Falling Height 2410 mm

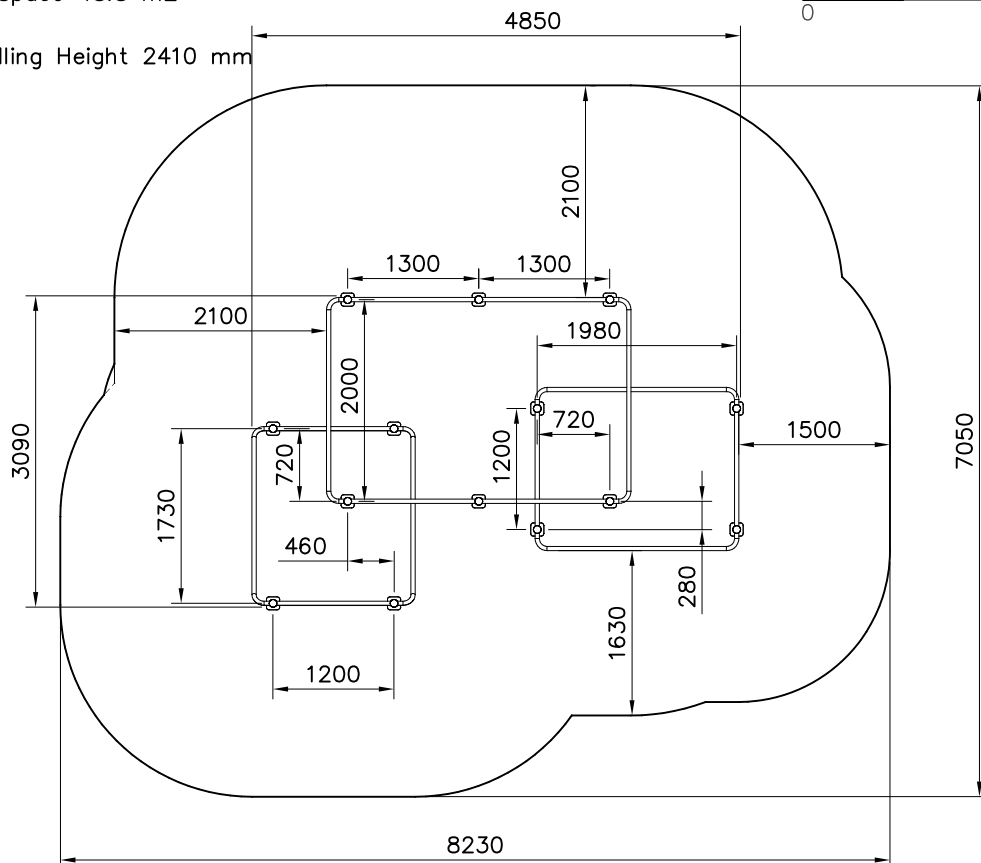
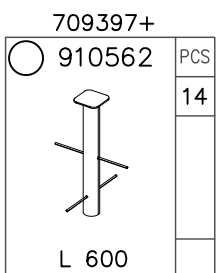
1:75

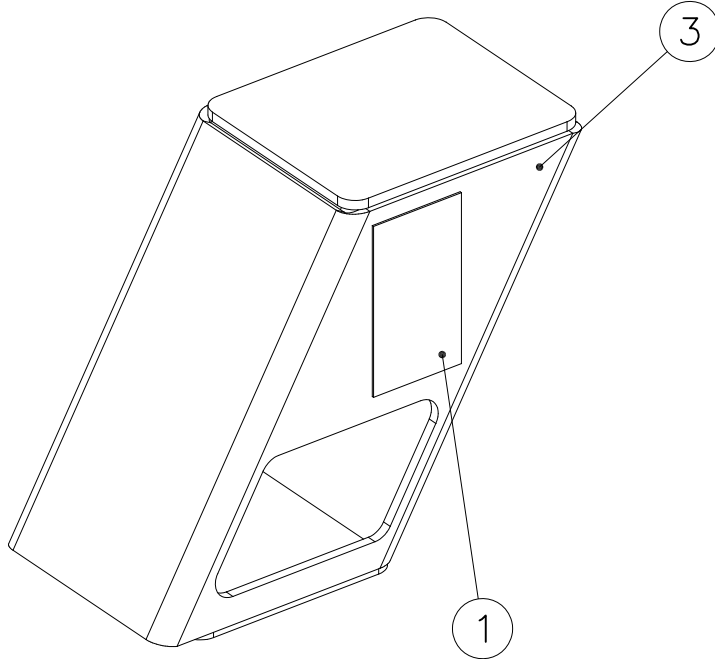


INSTALLING FOR SURFACE MOUNTING



FOOT OPTION FOR DEEP MOUNTING




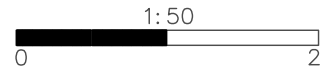


① 702341	PCS	② 709381	PCS
	1		2
90x50		SURFACE	

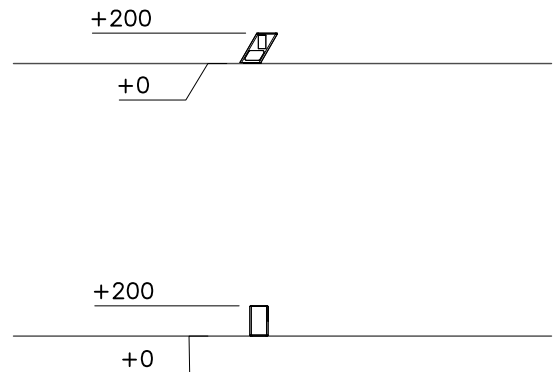
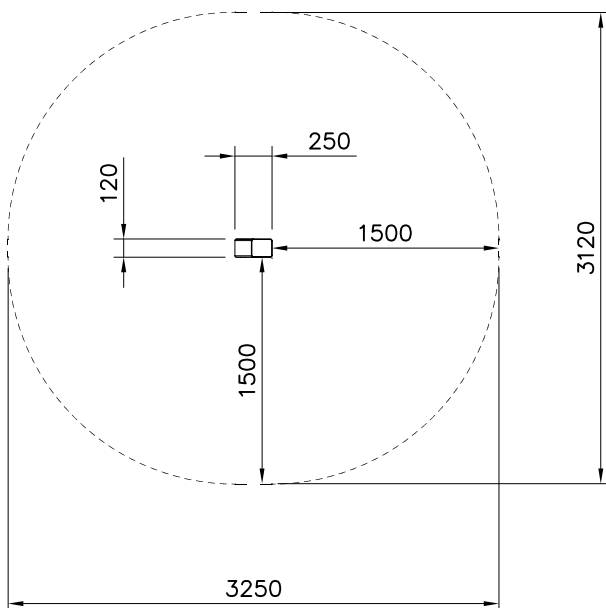
③ 910219	PCS
	1
120x120x200	

FOOT OPTION FOR DEEP MOUNTING

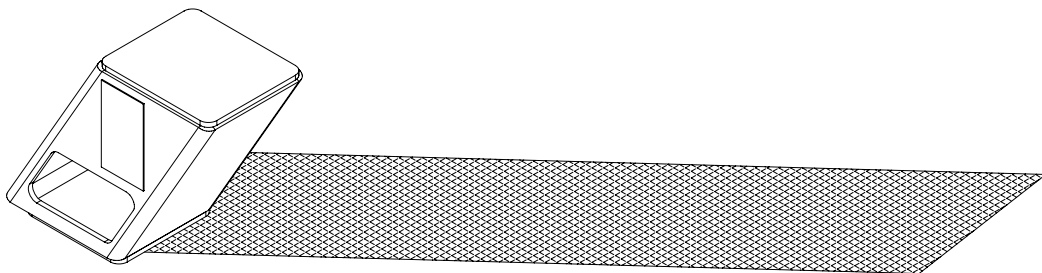
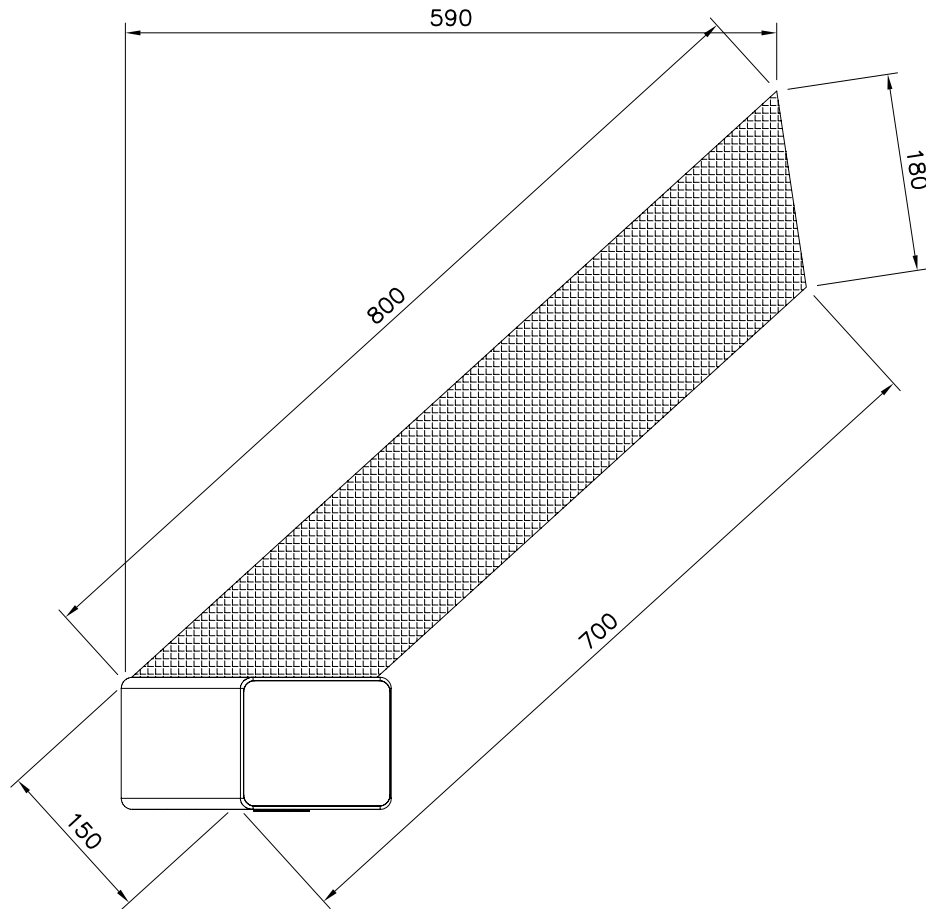
709379+	
④ 902564	PCS
	1
L 550	

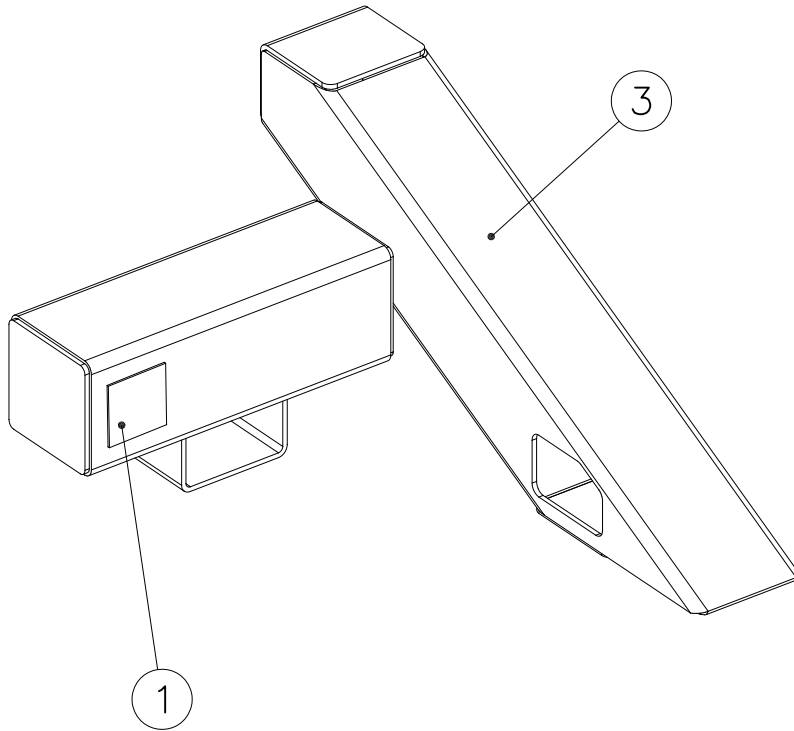


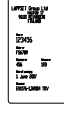

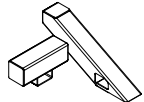
----- Falling Space 8.2 m²
Max Falling Height 200 mm




Shadow lines

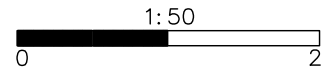




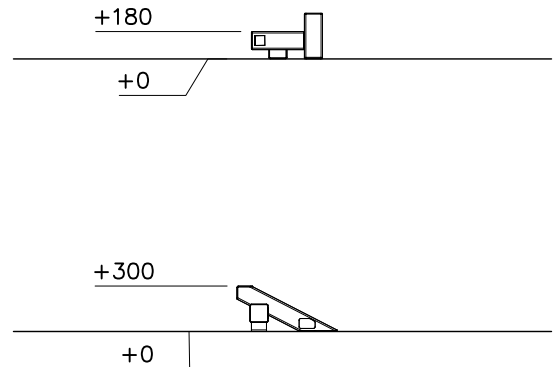
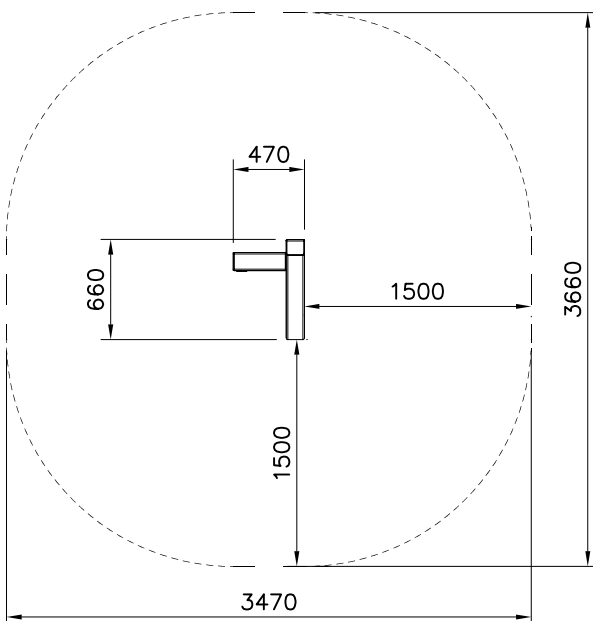
① 702341	PCS	② 709381	PCS
	1		2
 90x50		 SURFACE	
		③ 910220	PCS
		 300x470x662	1

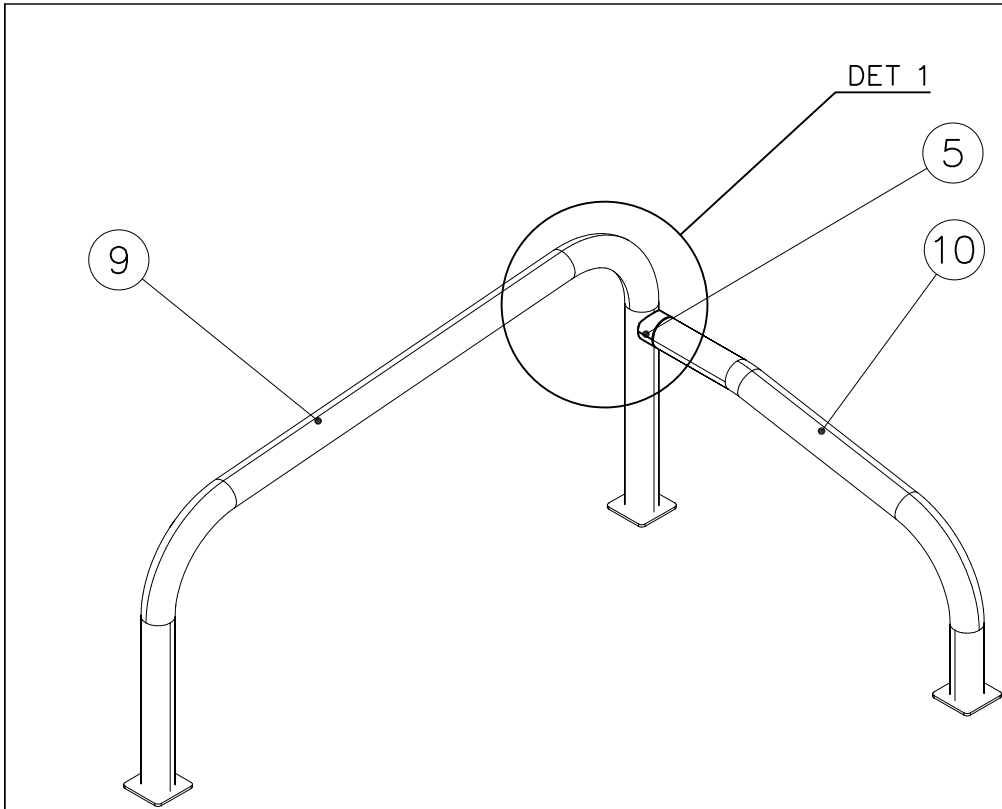
FOOT OPTION FOR DEEP MOUNTING

709379+	
④ 902564	PCS
 L 550	2

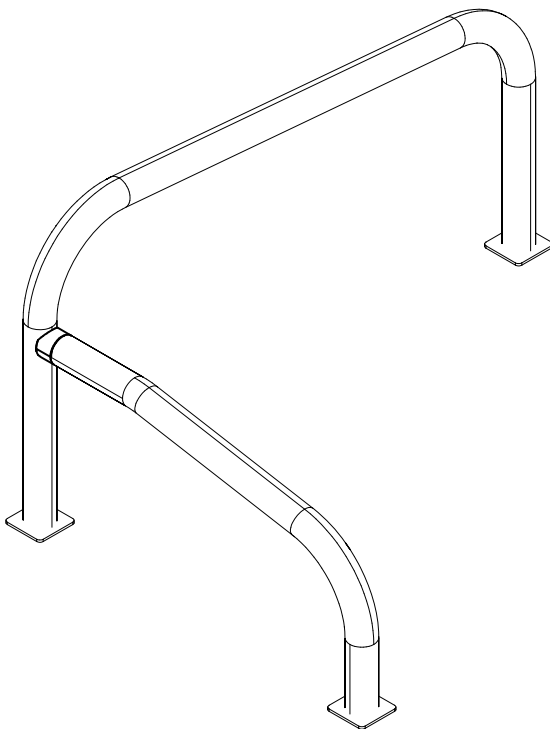





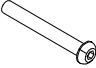
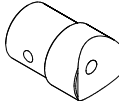
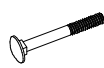


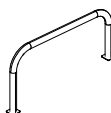


----- Falling Space 10.8 m²
Max Falling Height 300 mm






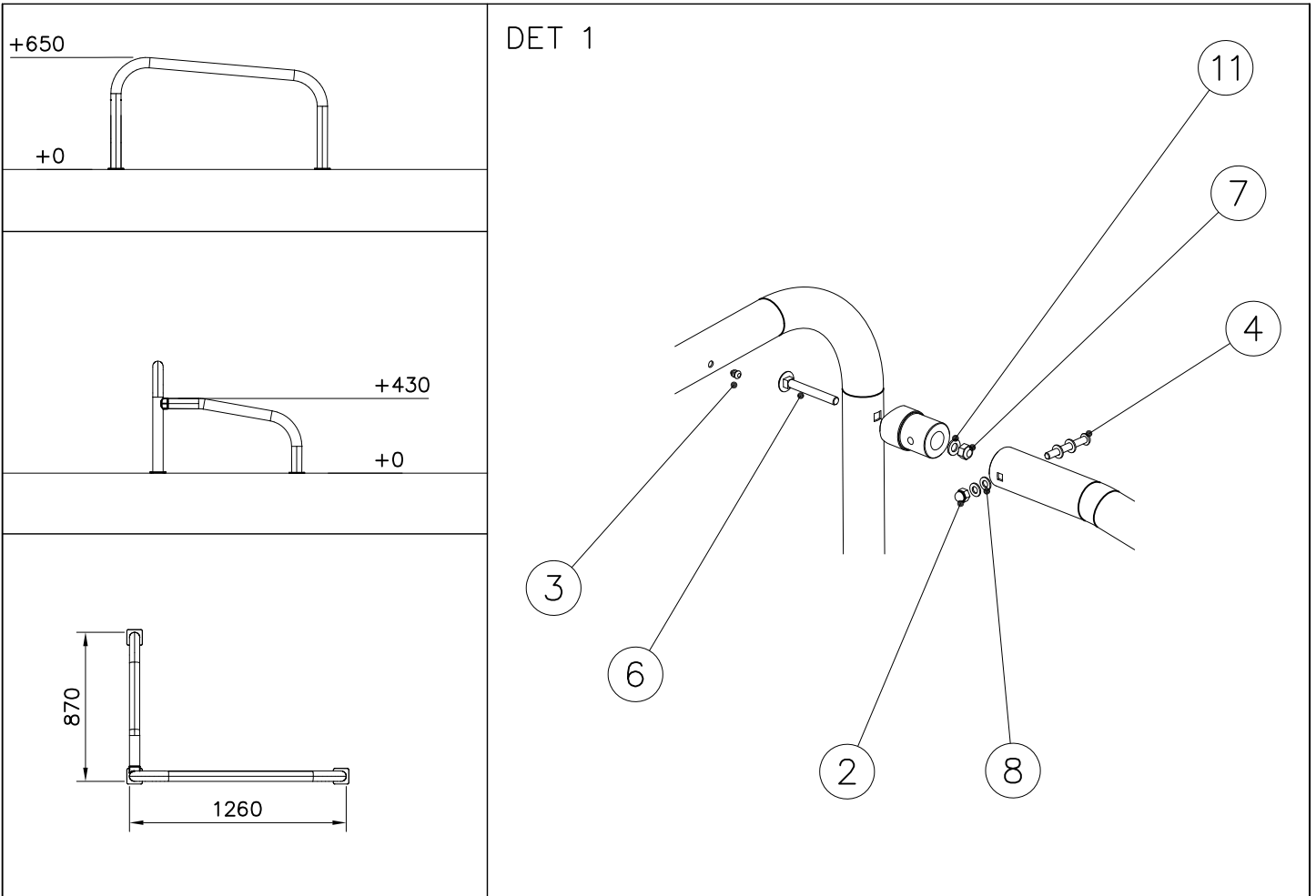
OPTION LEFT-HANDED



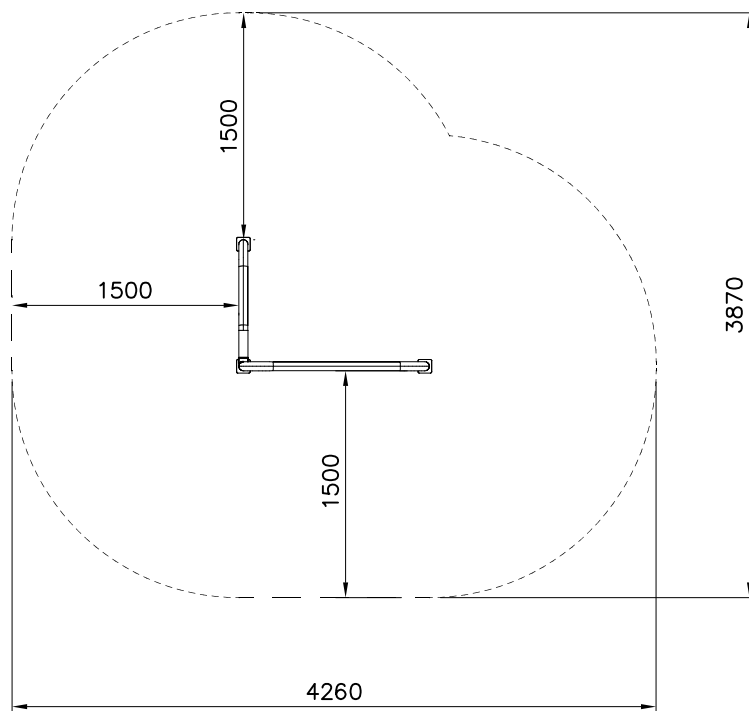
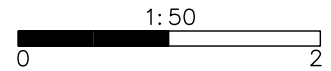
①	702341	PCS	②	900965	PCS
		1			1
	90x50			M10	
③	903533	PCS	④	904133	PCS
		4			1
	SRL12			M10x80	
⑤	908069	PCS	⑥	909111	PCS
		1			1
	Ø60x87.6			M12x100	
⑦	909248	PCS	⑧	909638	PCS
		1			4
	M12			Ø20/10.5	
⑨	910254	PCS	⑩	910262	PCS
		1			1
	Ø60x650x1290			Ø60x435x795	
⑪	980154	PCS			PCS
		1			
	Ø24/13				

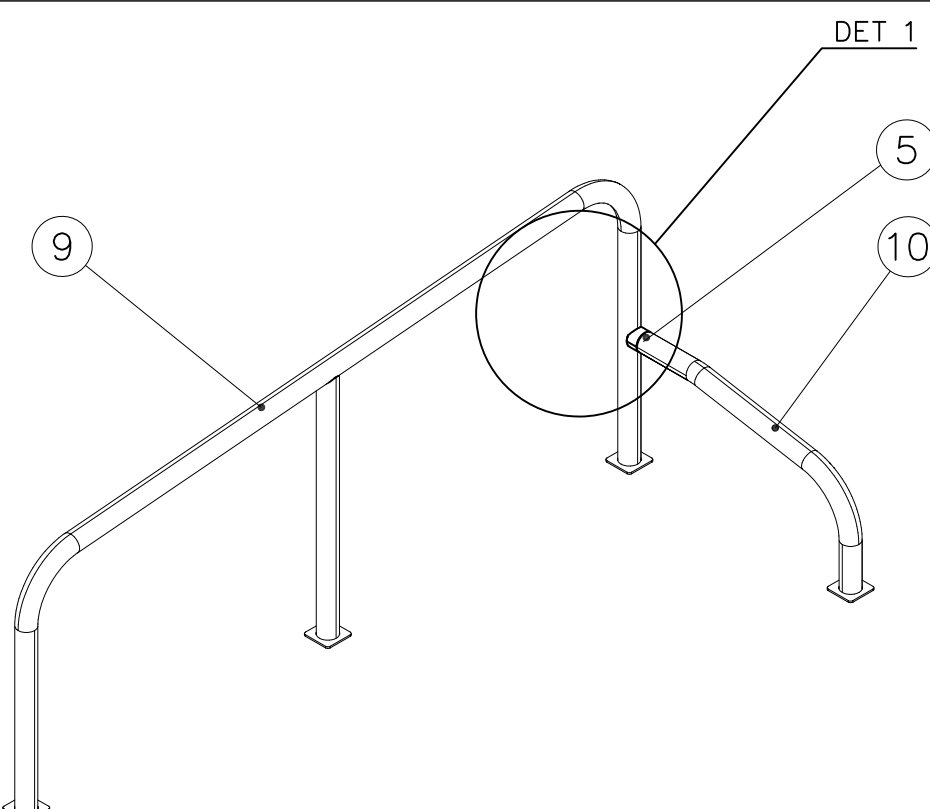
FOOT OPTION FOR DEEP MOUNTING

709379+	⑬	902564	PCS
			3
		L 550	

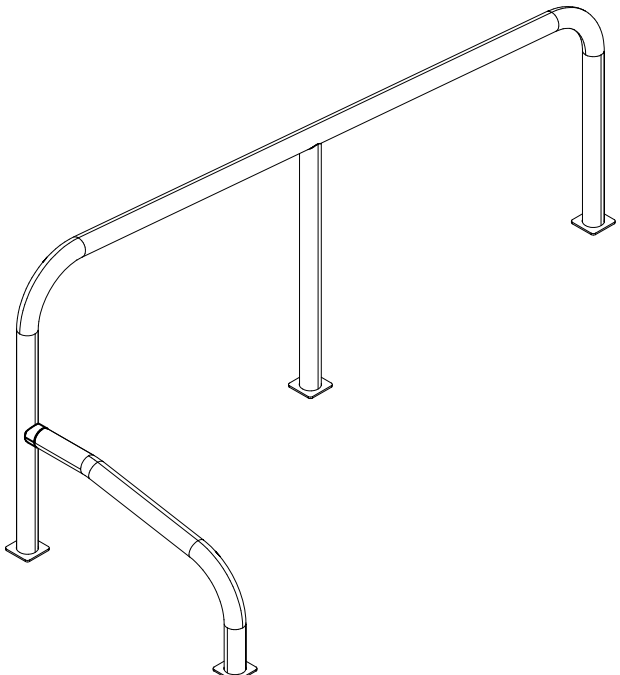


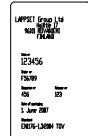

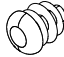
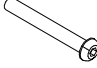
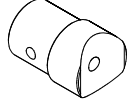
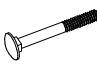


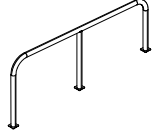
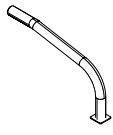

----- Falling Space 13.1 m²
Max Falling Height 650 mm

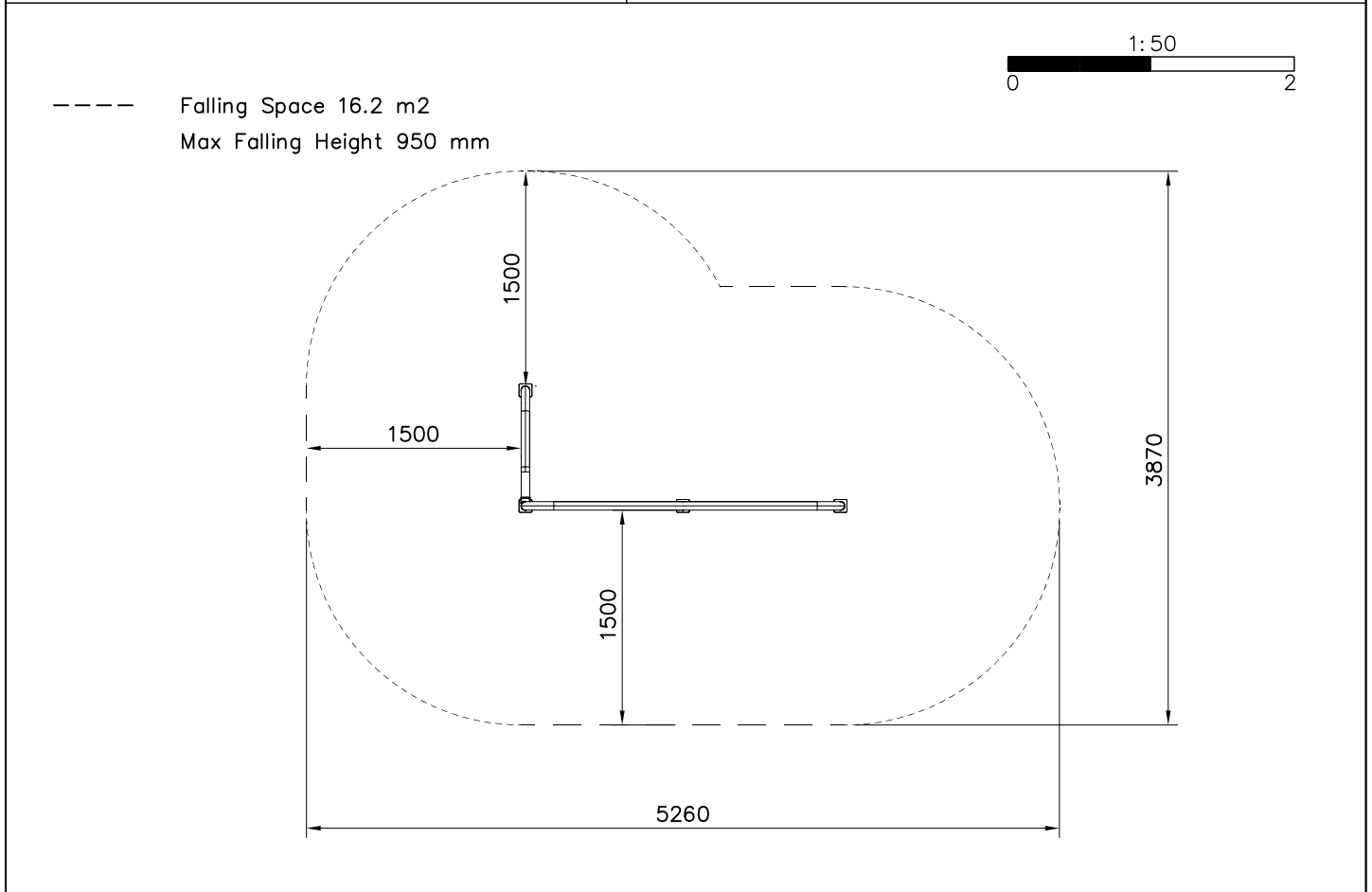
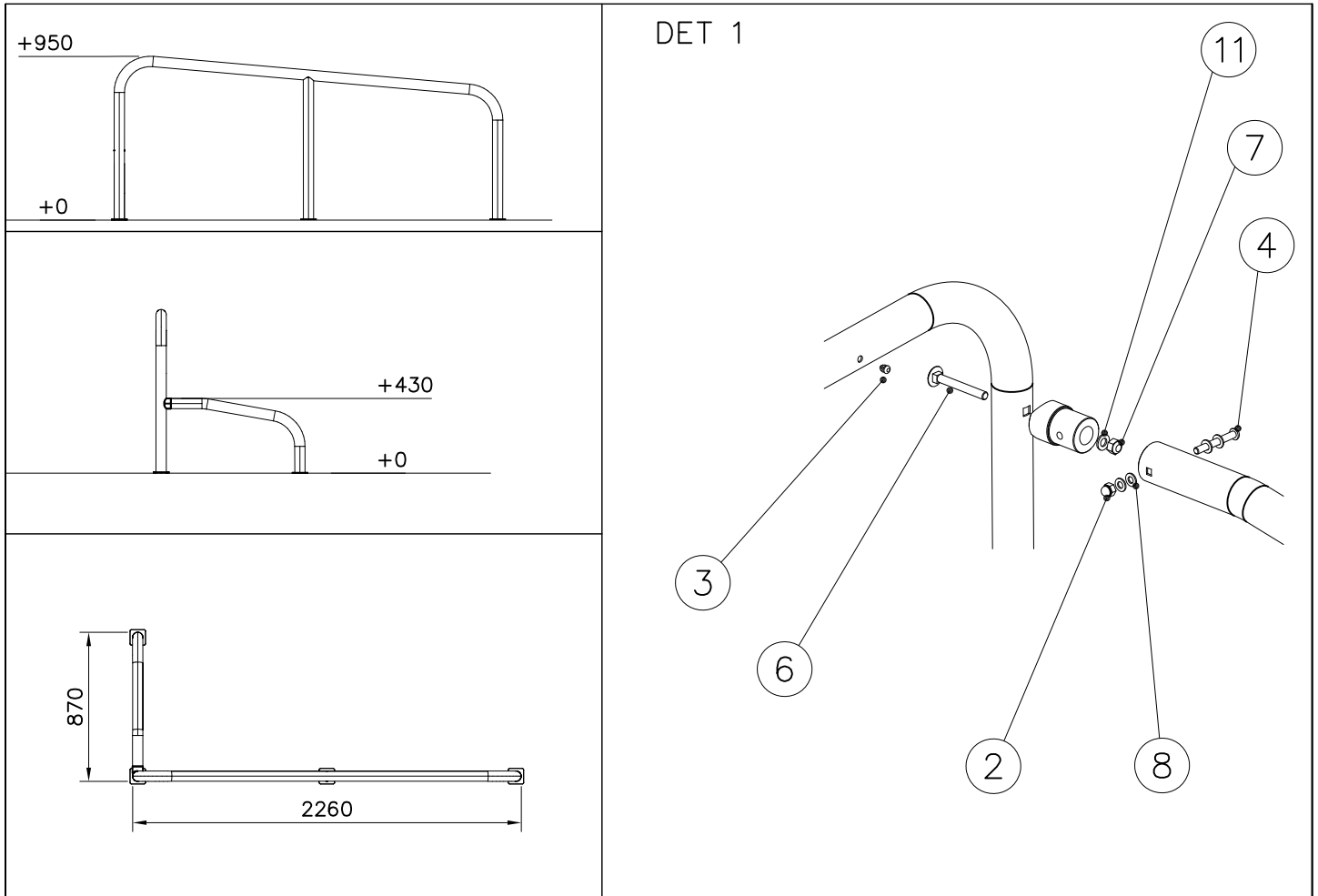


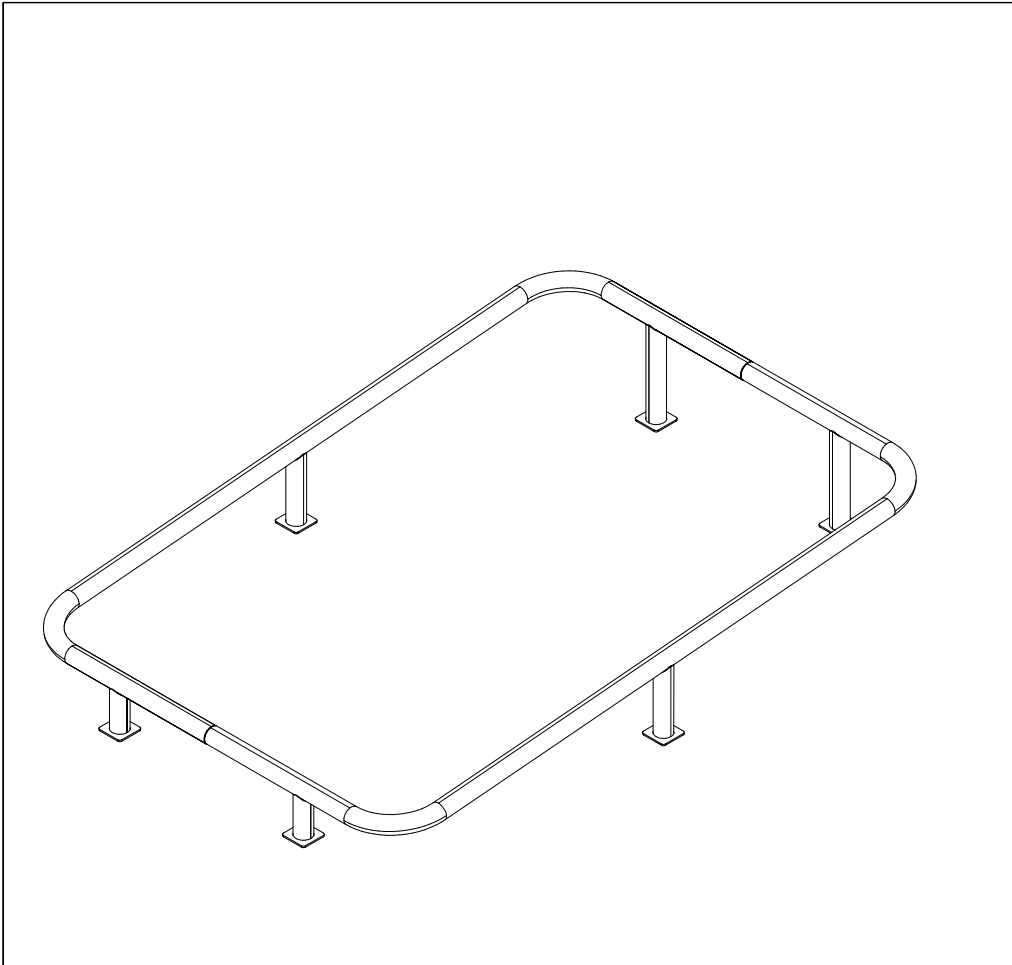




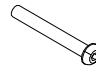

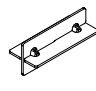
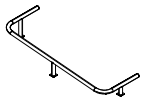
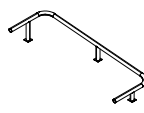
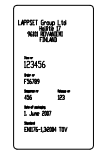
OPTION LEFT-HANDED

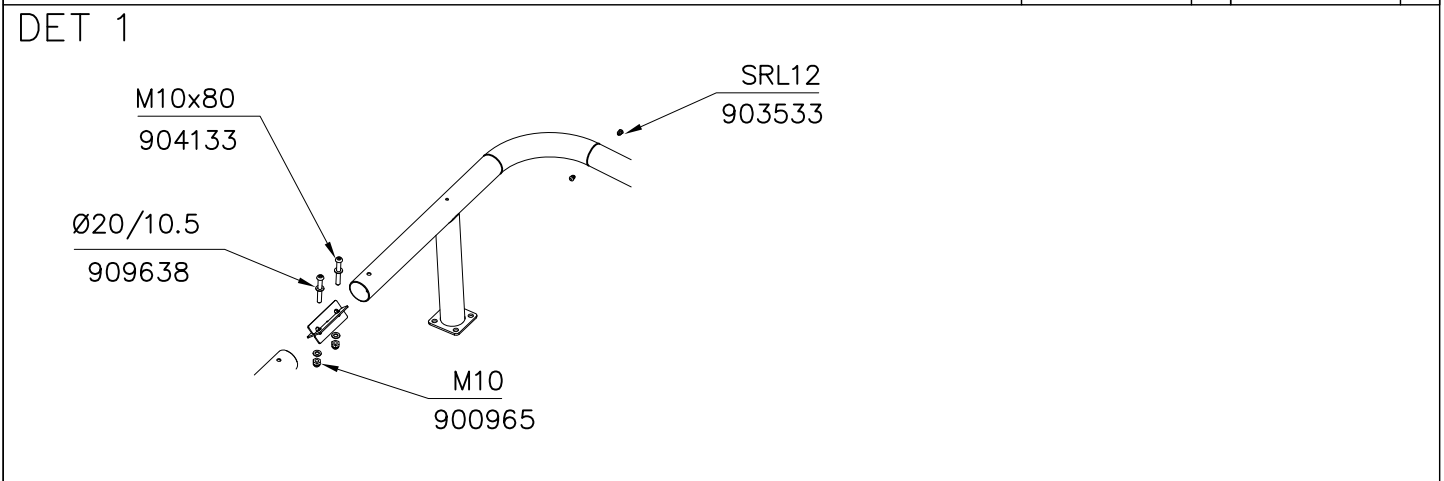
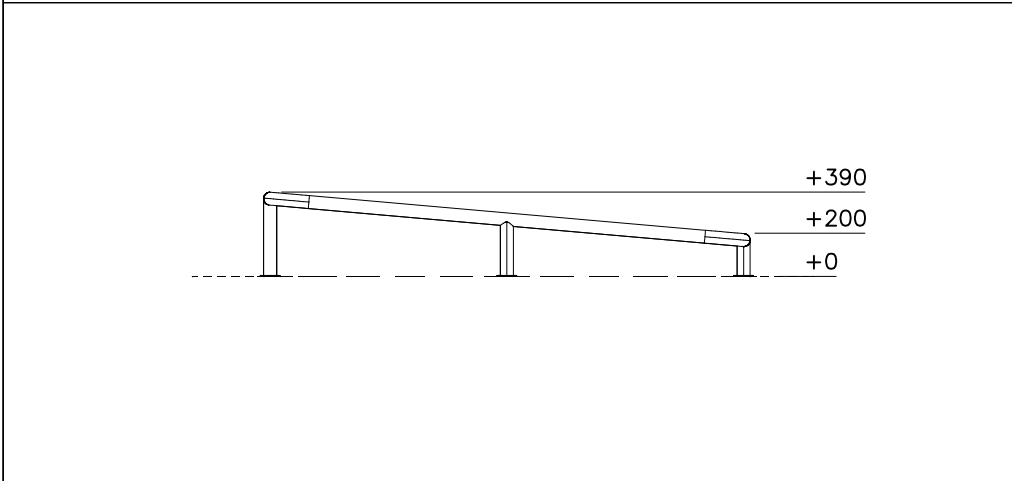


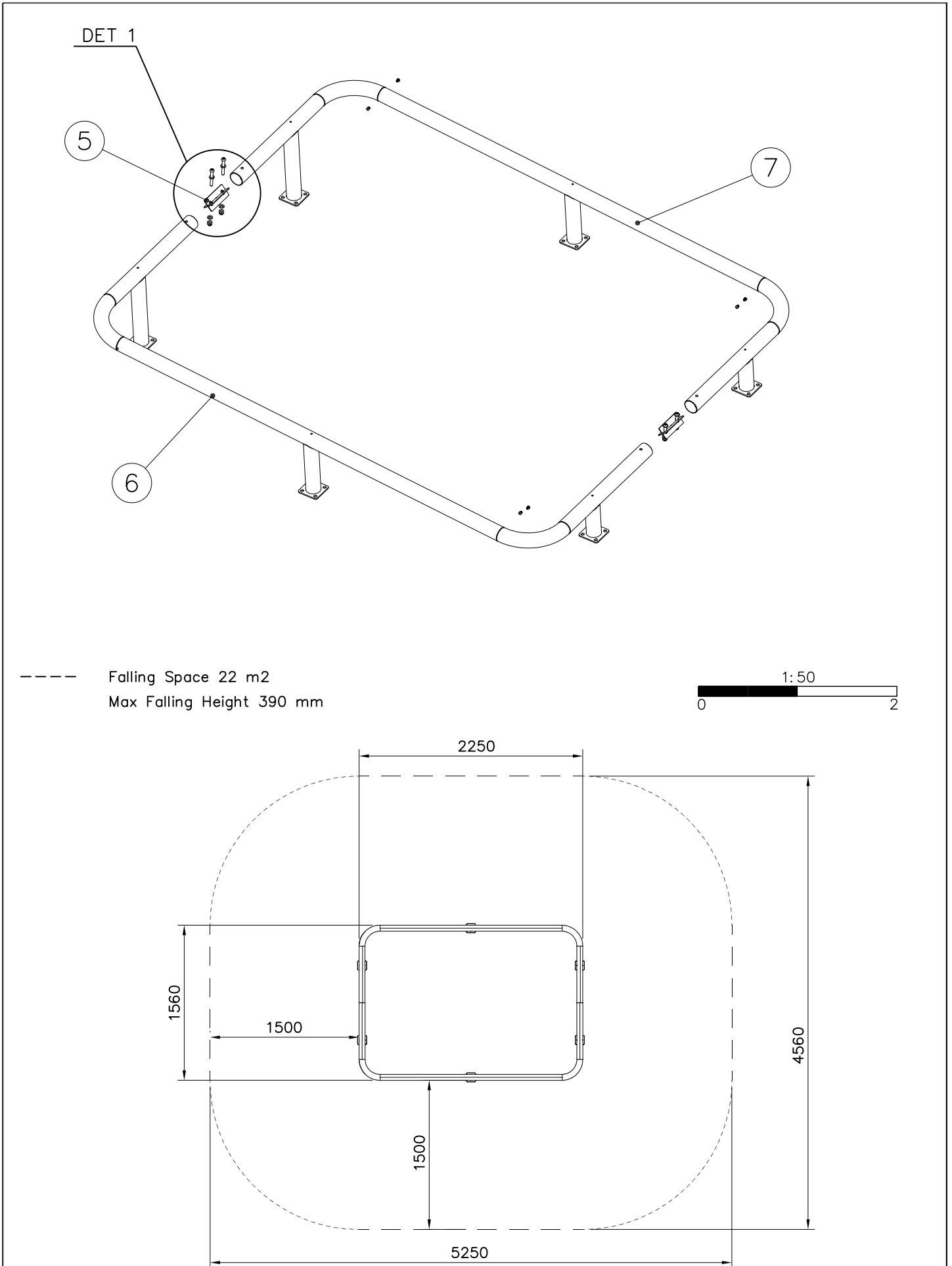
①	702341	PCS	②	900965	PCS
		1			1
	90x50			M10	
③	903533	PCS	④	904133	PCS
		4			1
	SRL12			M10x80	
⑤	908069	PCS	⑥	909111	PCS
		1			1
	Ø60x87.6			M12x100	
⑦	909248	PCS	⑧	909638	PCS
		1			4
	M12			Ø20/10.5	
⑨	910255	PCS	⑩	910262	PCS
		1			1
	Ø60x950x2290			Ø60x435x795	
⑪	980154	PCS			PCS
		1			
	Ø24/13				

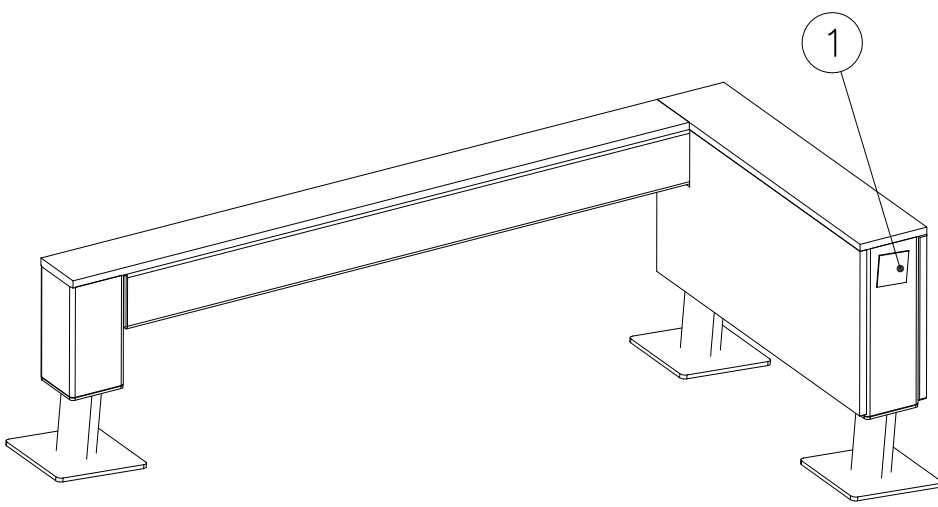

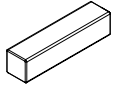
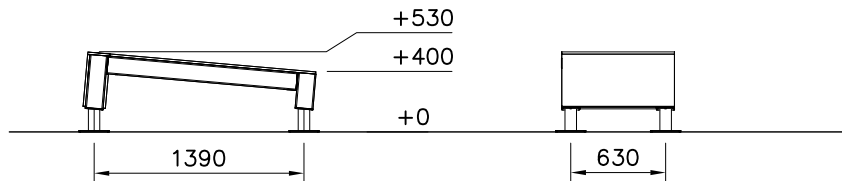
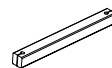
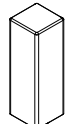
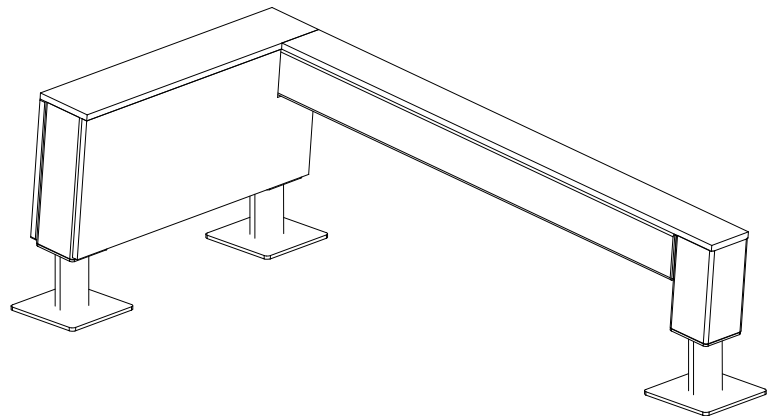
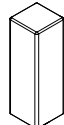
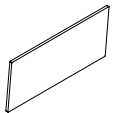
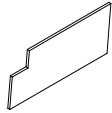
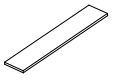

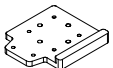
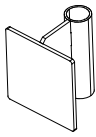




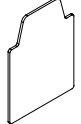







①	900965	PCS	②	903533	PCS
		4			8
	M10			SRL12	
③	904133	PCS	④	909638	PCS
		4			8
	M10x80			Ø20/10.5	
⑤	910052	PCS	⑥	910054	PCS
		2			1
	53x53x120			390x780x2282	
⑦	910055	PCS	⑧	702341	PCS
		1			1
	390x780x2282			90x50	

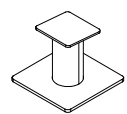





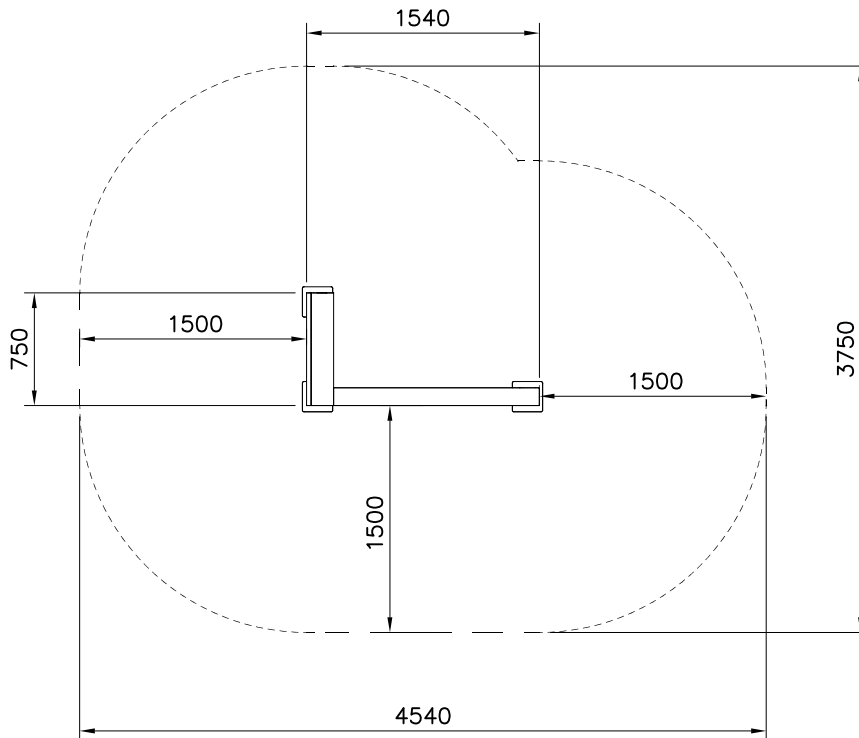
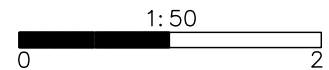
	<p>① 702286 PCS 1 65x65</p> 	<p>② 707210 PCS 2 118x118x503</p> 
	<p>③ 707212 PCS 1 118x118x1254</p> 	<p>④ 708347 PCS 1 118x118x231</p> 
<p>INSTALLATION OF A SECOND HAND</p> 	<p>⑤ 708443 PCS 2 118x118x352</p> 	<p>⑥ 708727 PCS 1 15x346x745</p> 
	<p>⑦ 708730 PCS 1 15x346x745</p> 	<p>⑧ 708733 PCS 1 15x148x745</p> 
	<p>⑨ 708734 PCS 1 15x118x1365</p> 	<p>⑩ 708857 JIG PCS 1 20x133x149</p> 
	<p>⑪ 910266 PCS 2 90x108x118</p> 	<p>⑫ 900240 PCS 16 Ø8x70</p> 
	<p>⑬ 903093 PCS 4 Ø8x90</p> 	<p>⑭ 905103 PCS 2 PT-28/32-H</p> 
	<p>⑮ 905112 PCS 4 Ø22</p> 	<p>⑯ 908698 PCS 4 3x114x108</p> 

17	980100	PCS	18	980114	PCS	19	980123	PCS
		28			4			25
								
	Ø5x60			Ø4x20			Ø7x60	

FOOT OPTIONS

709261+		709262+	
○ 910267	PCS	○ 910567	PCS
SURFACE	3	CONCRETE	3
			
152x200x200		117x117x715	

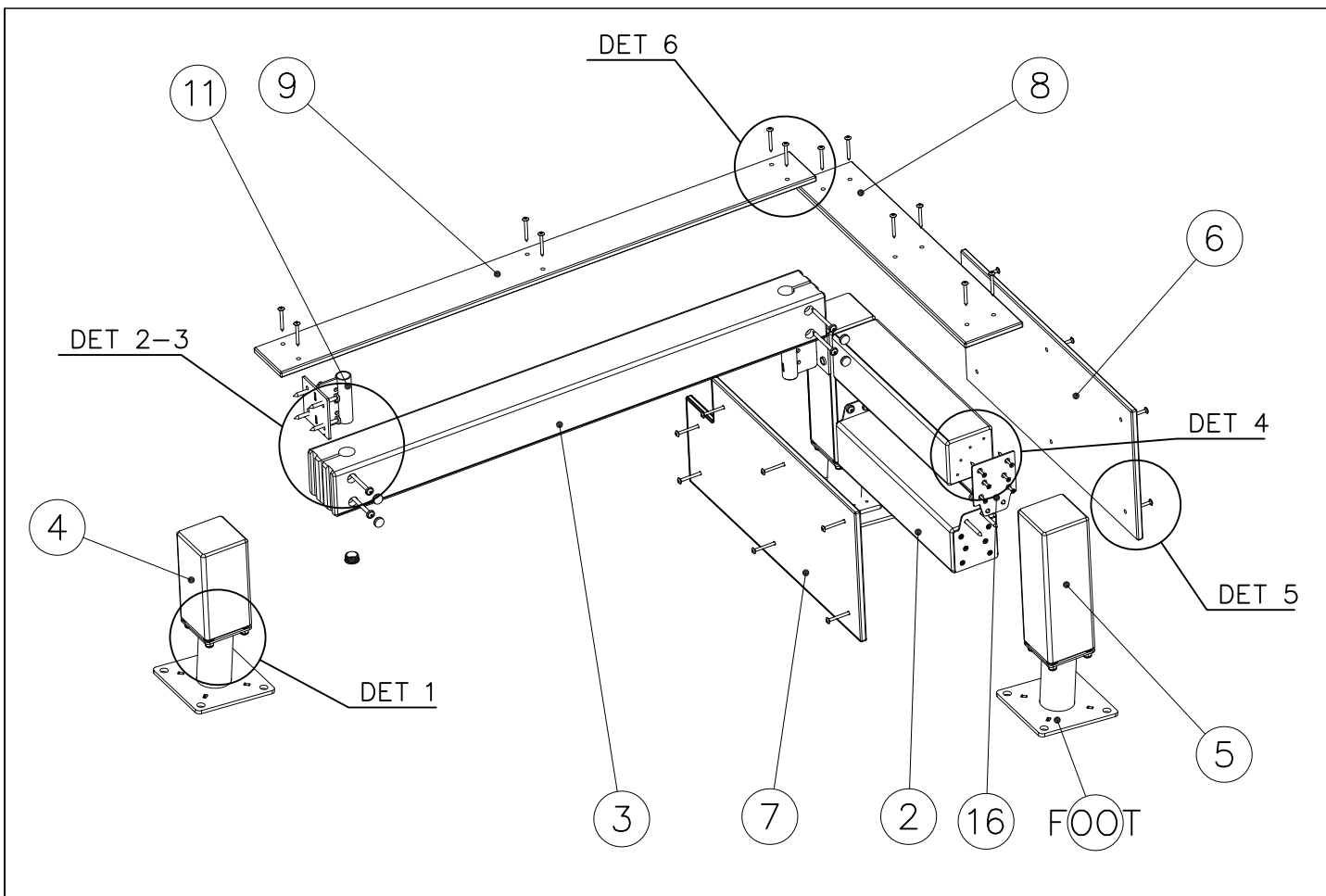
----- Falling Space 13.8 m²
Max Falling Height 530 mm

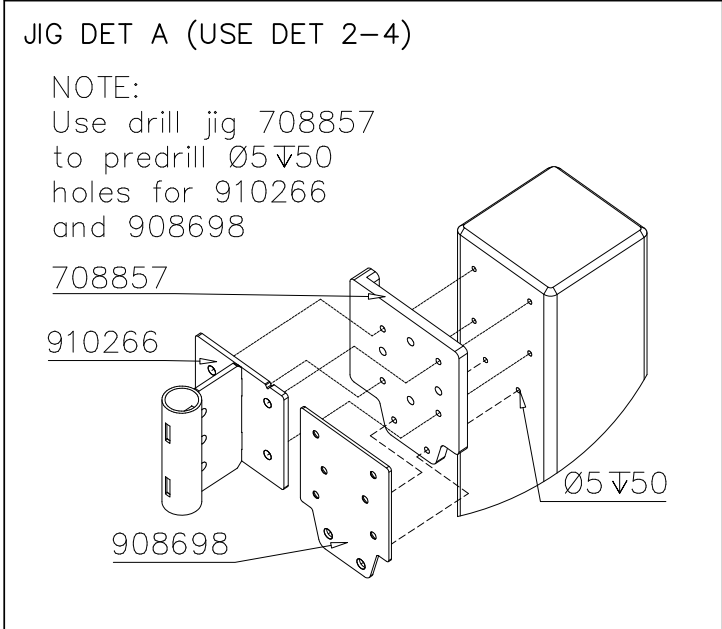
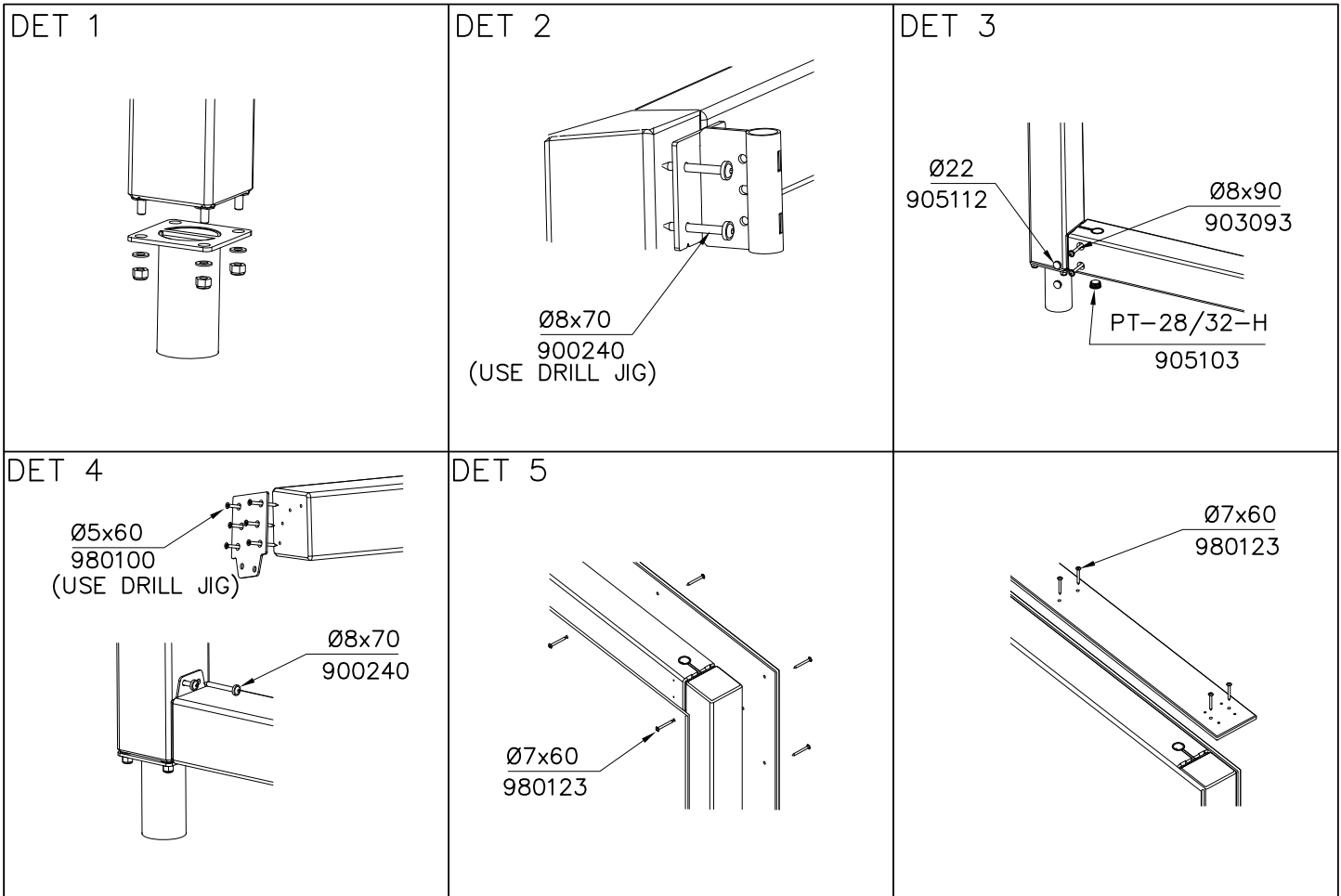


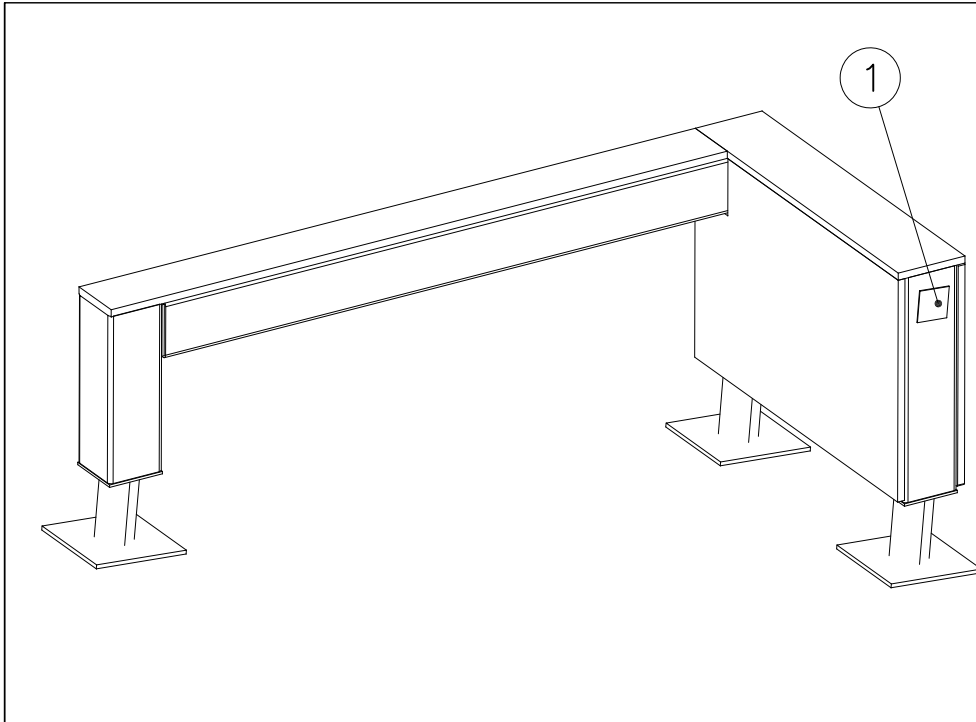
WINAM GROUP FLORA


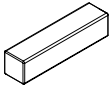

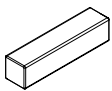
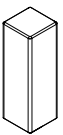
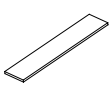
081720M

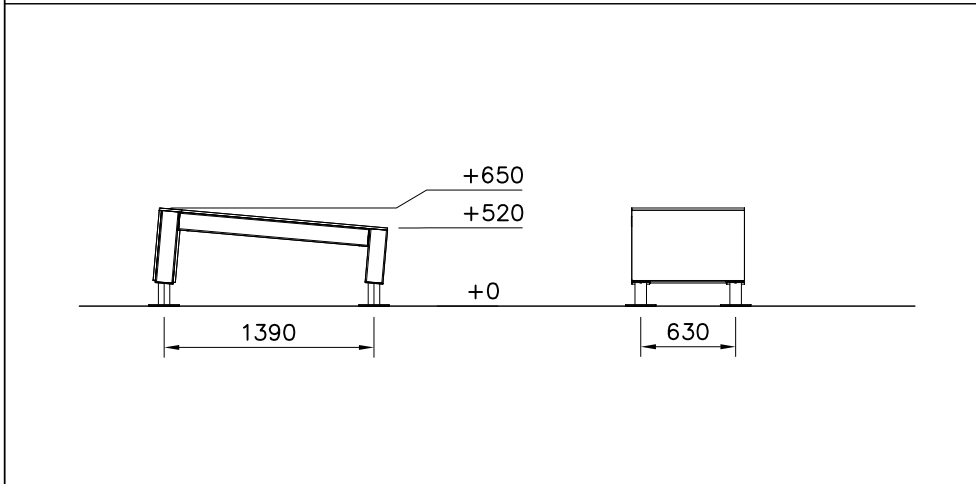
DATE: 5.9.2019


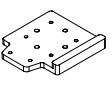
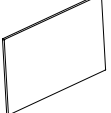





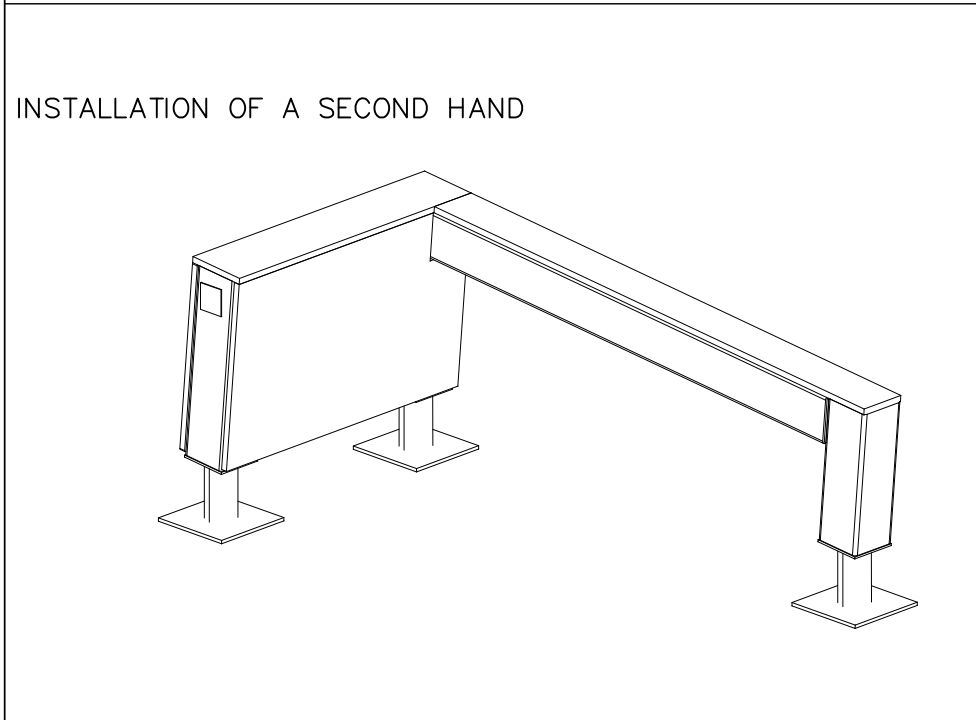



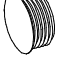

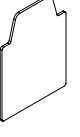
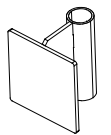
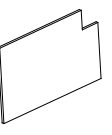
① 702286  65x65	PCS 1	② 707210  118x118x503	PCS 2
③ 707212  118x118x1254	PCS 1	④ 707889  118x118x472	PCS 2
⑤ 708443  118x118x352	PCS 1	⑥ 708733  15x148x745	PCS 1






⑦ 708734  15x118x1365	PCS 1	⑧ 708857 JIG  20x133x149	PCS 1
⑨ 708731  15x466x745	PCS 1	⑩ 900240  Ø8x70	PCS 16

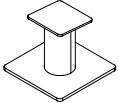

INSTALLATION OF A SECOND HAND



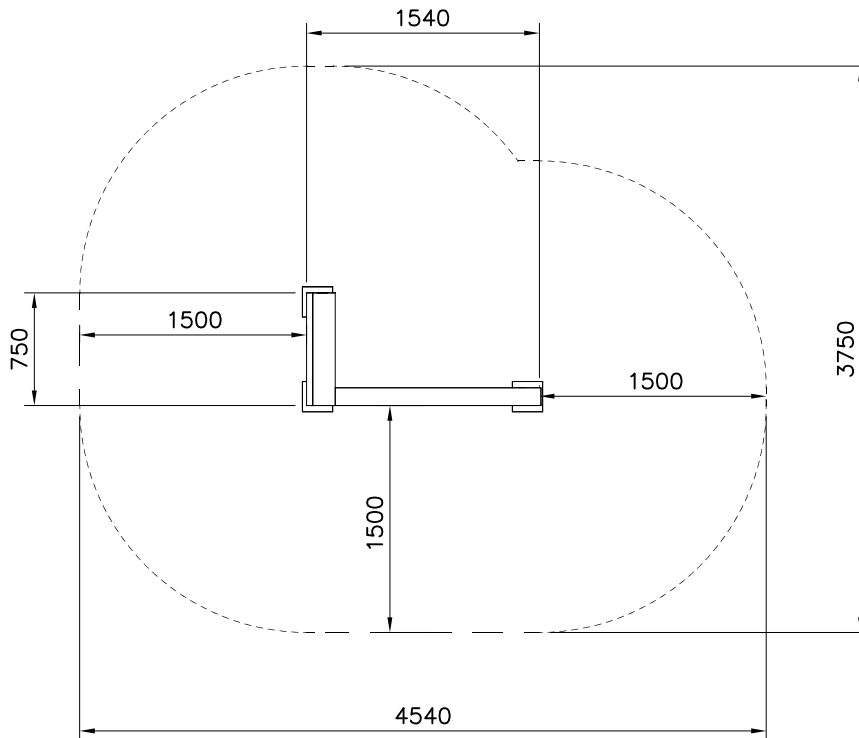
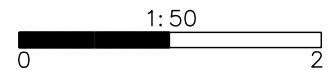
⑪ 903093  Ø8x90	PCS 4	⑫ 905103  PT-28/32-H	PCS 2
⑬ 905112  Ø22	PCS 4	⑭ 908698  3x114x108	PCS 4
⑮ 910266  90x108x118	PCS 2	⑯ 708732  15x466x745	PCS 1

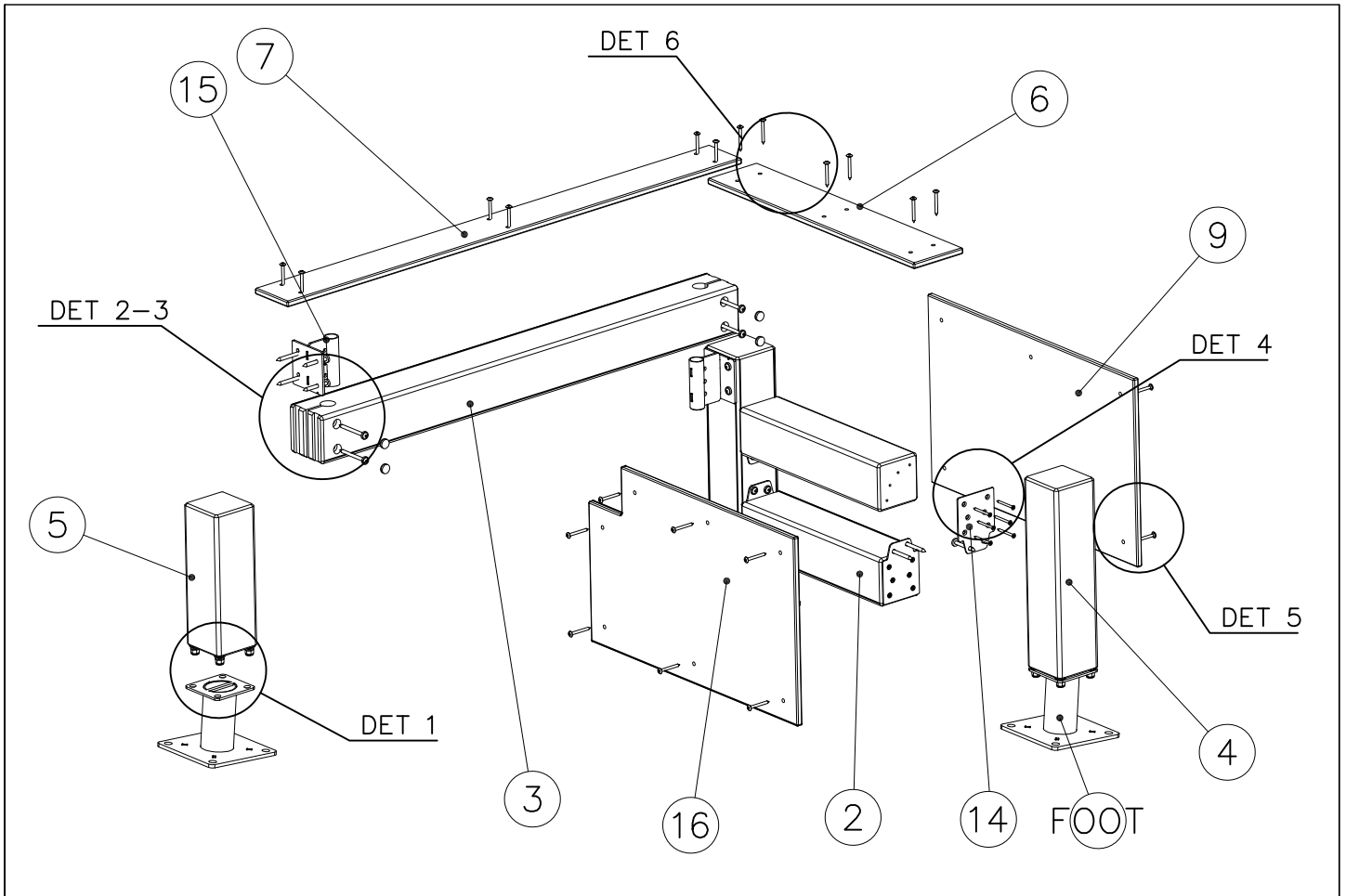
17	980100	PCS	18	980114	PCS	19	980123	PCS
		28			4			25
								
	Ø5x60			Ø4x20			Ø7x60	

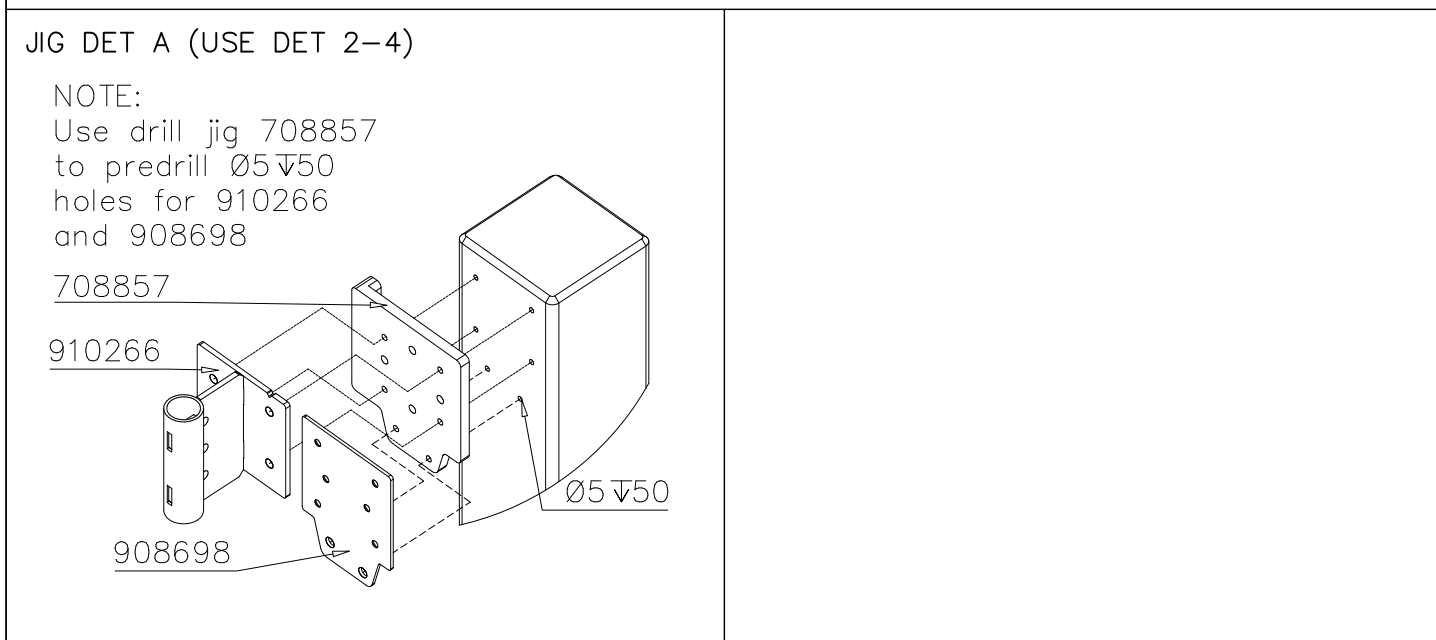
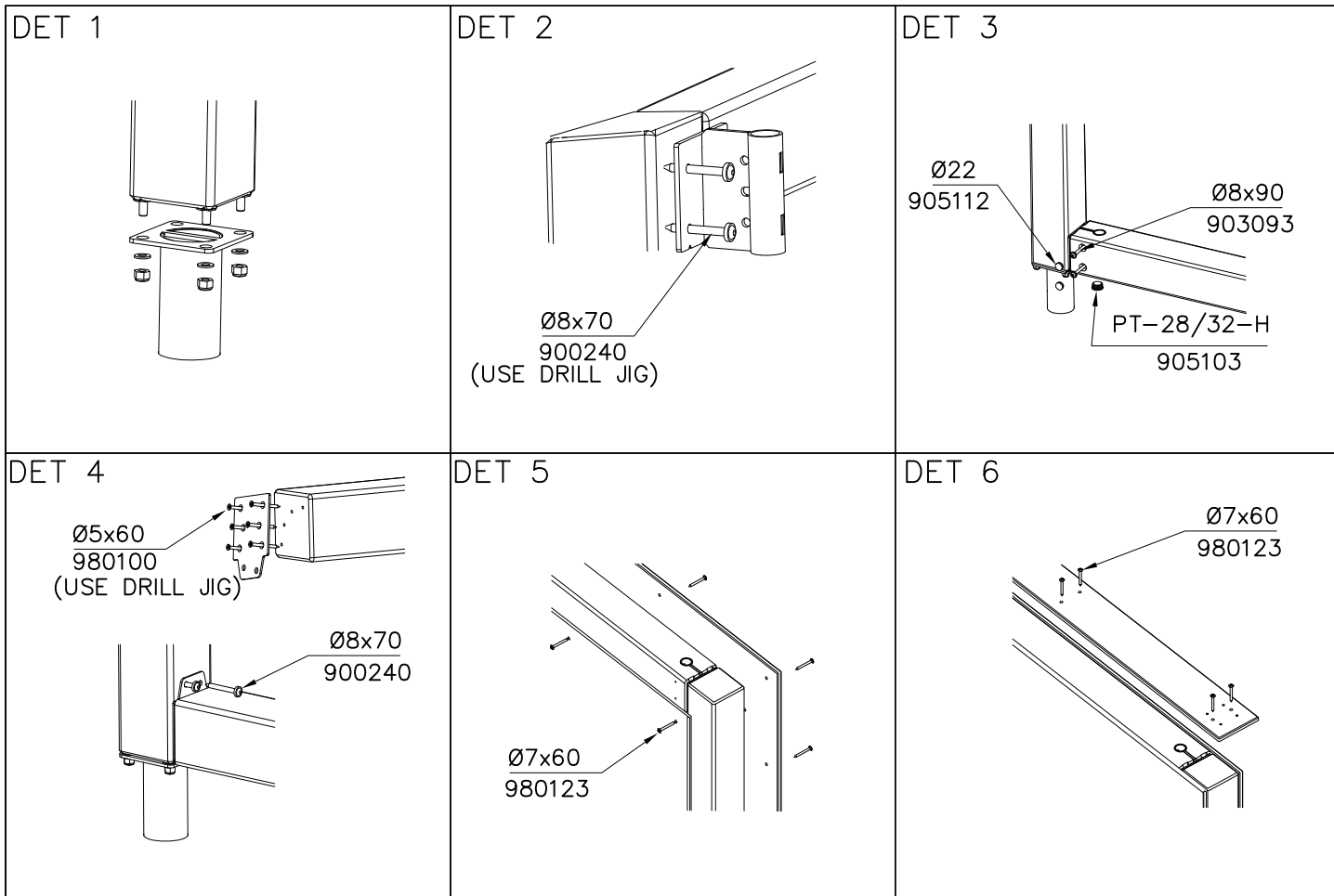
FOOT OPTIONS

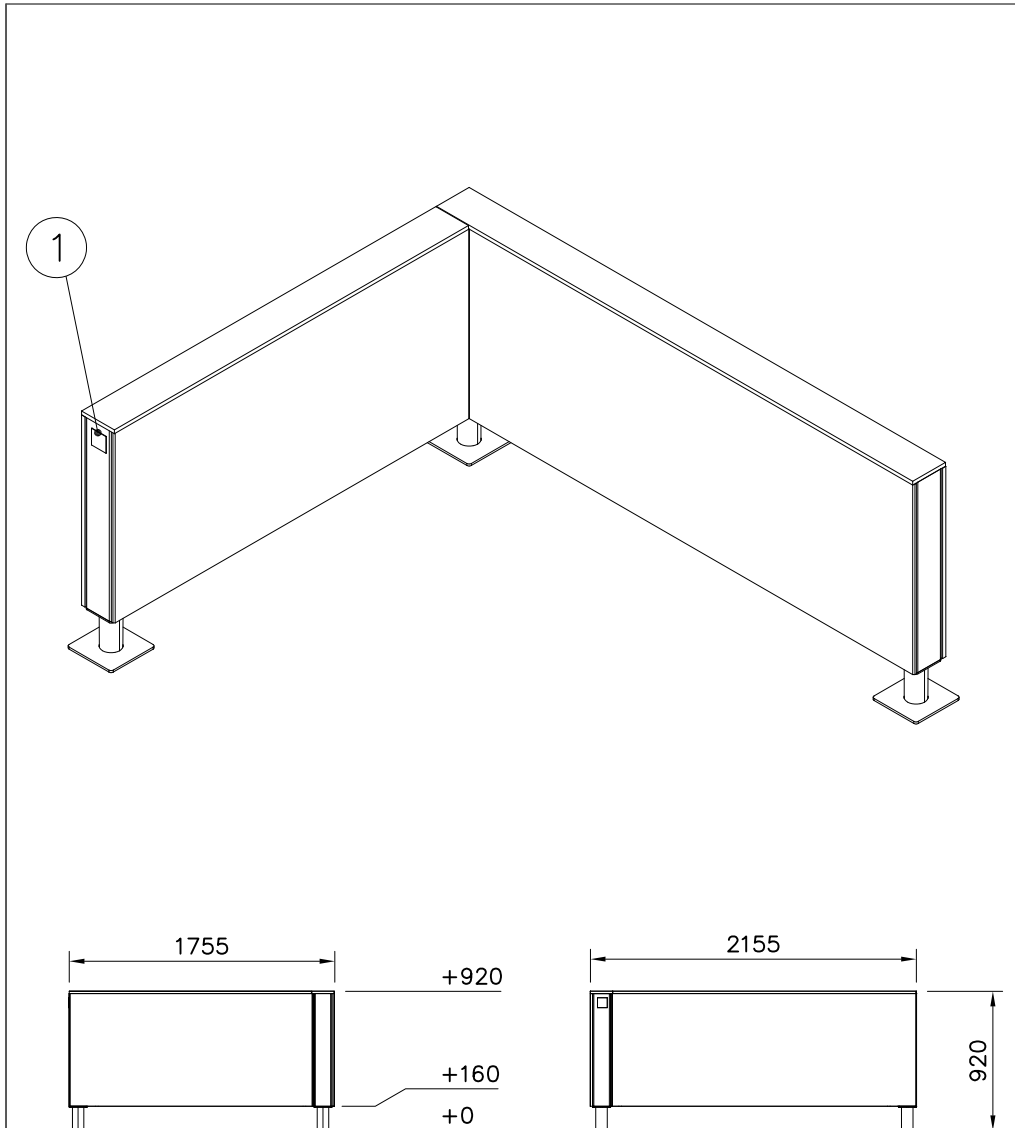
709261+		709262+	
910267	PCS	910567	PCS
SURFACE	3	CONCRETE	3
			
152x200x200		117x117x715	

----- Falling Space 13.8 m²
Max Falling Height 650 mm

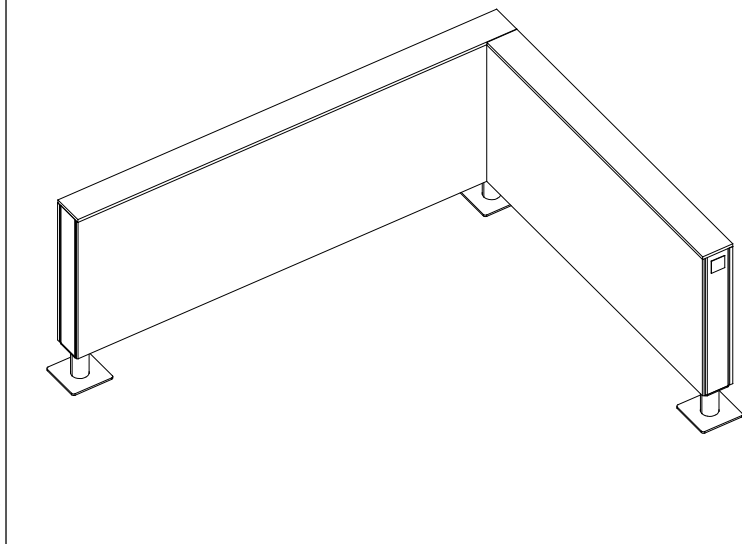




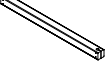
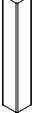

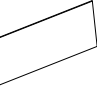

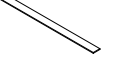
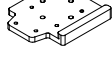




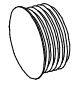

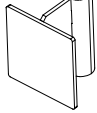






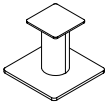
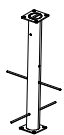


INSTALLATION OF A SECOND HAND

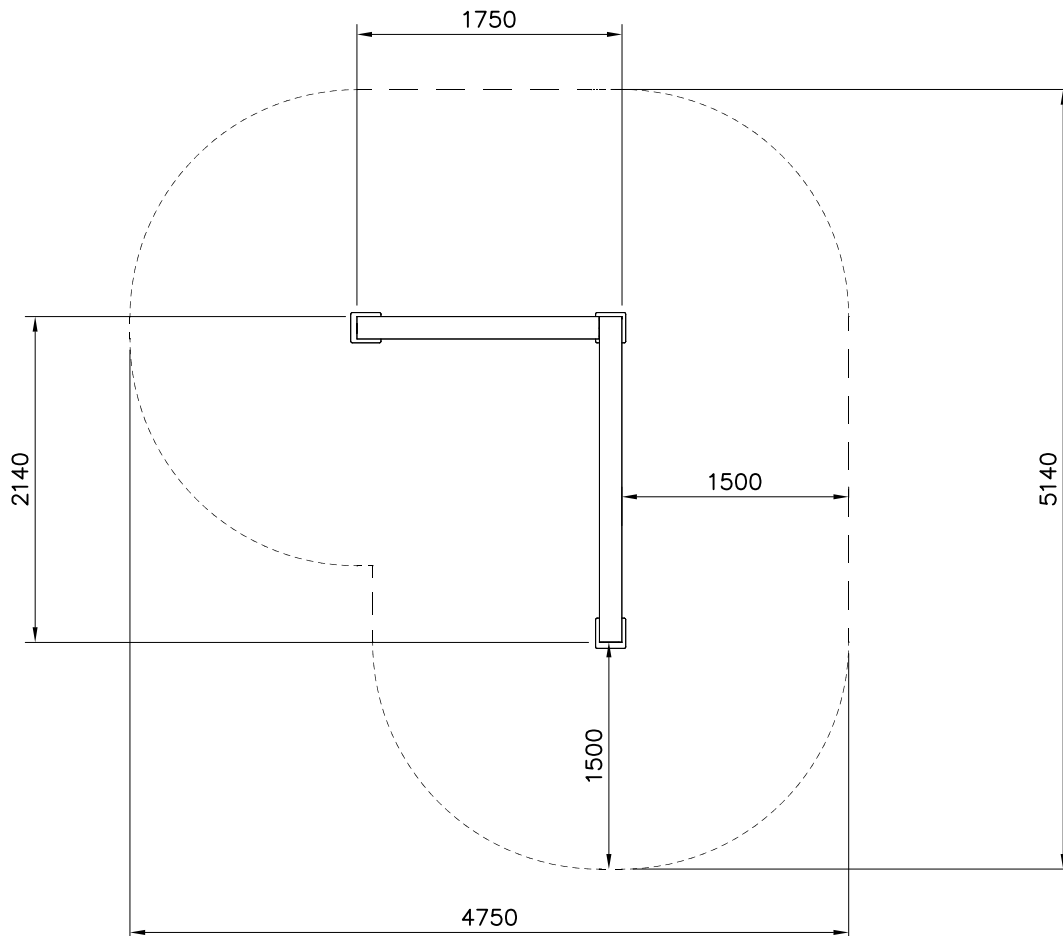
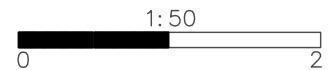


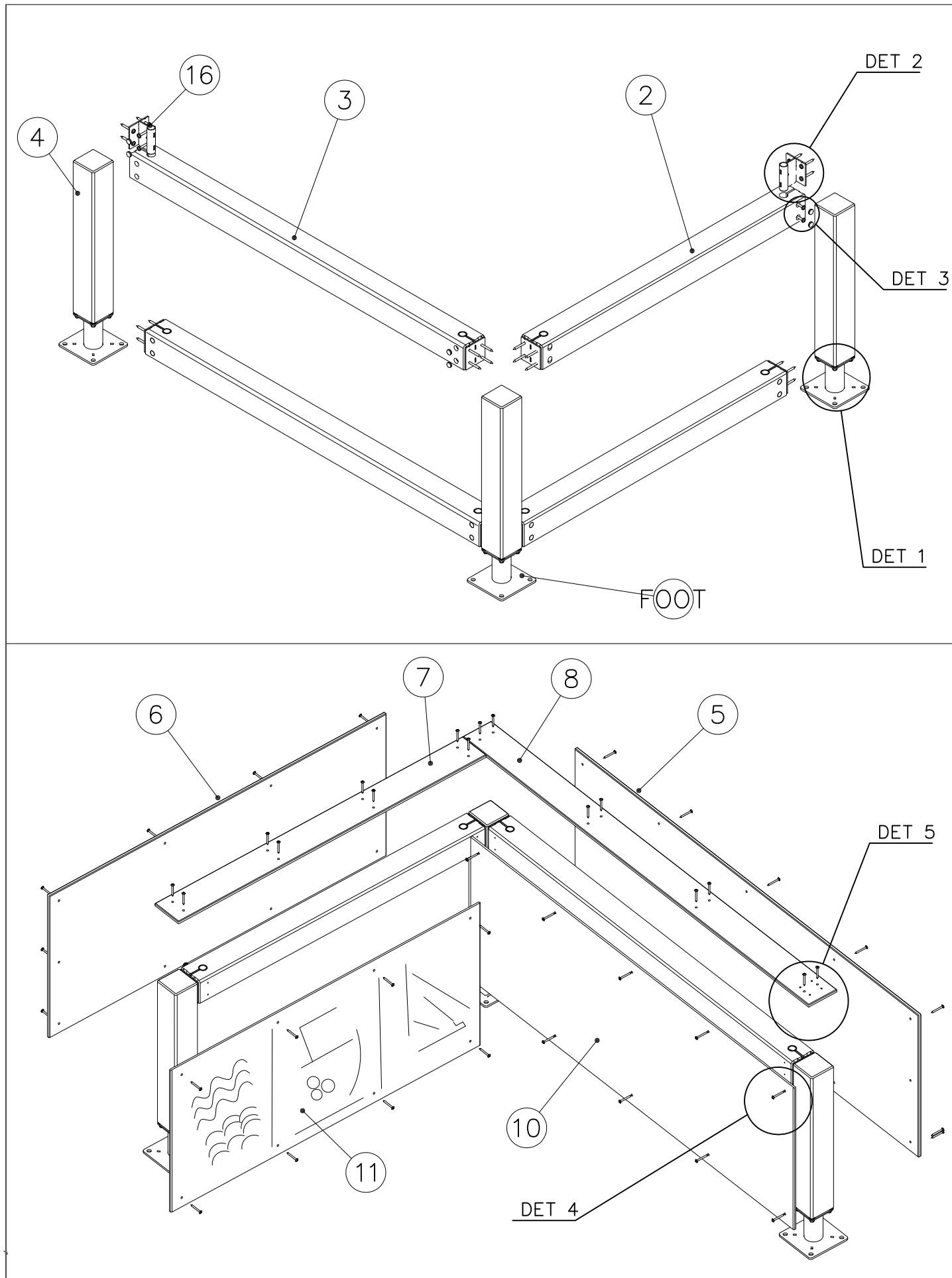
① 702286  65x65	PCS 1	② 707213  118x118x1490	PCS 2
③ 707517  118x118x1892	PCS 2	④ 708137  118x118x745	PCS 3
⑤ 708715  15x745x2140	PCS 1	⑥ 708716  15x745x1753	PCS 1
⑦ 708737  15x148x1601	PCS 1	⑧ 708738  15x148x2153	PCS 1
⑨ 708857 JIG  20x133x149	PCS 1	⑩ 911309 COLOR  12x745x2015	PCS 1
⑪ 911311 MURAL  12x745x1610	PCS 1	⑫ 900240  Ø8x70	PCS 32
⑬ 903093  Ø8x90	PCS 16	⑭ 905103  PT-28/32-H	PCS 8
⑮ 905112  Ø22	PCS 16	⑯ 901266  90x108x118	PCS 8
⑰ 980123  Ø7x60	PCS 56	⑱ 980114  Ø4x20	PCS 4

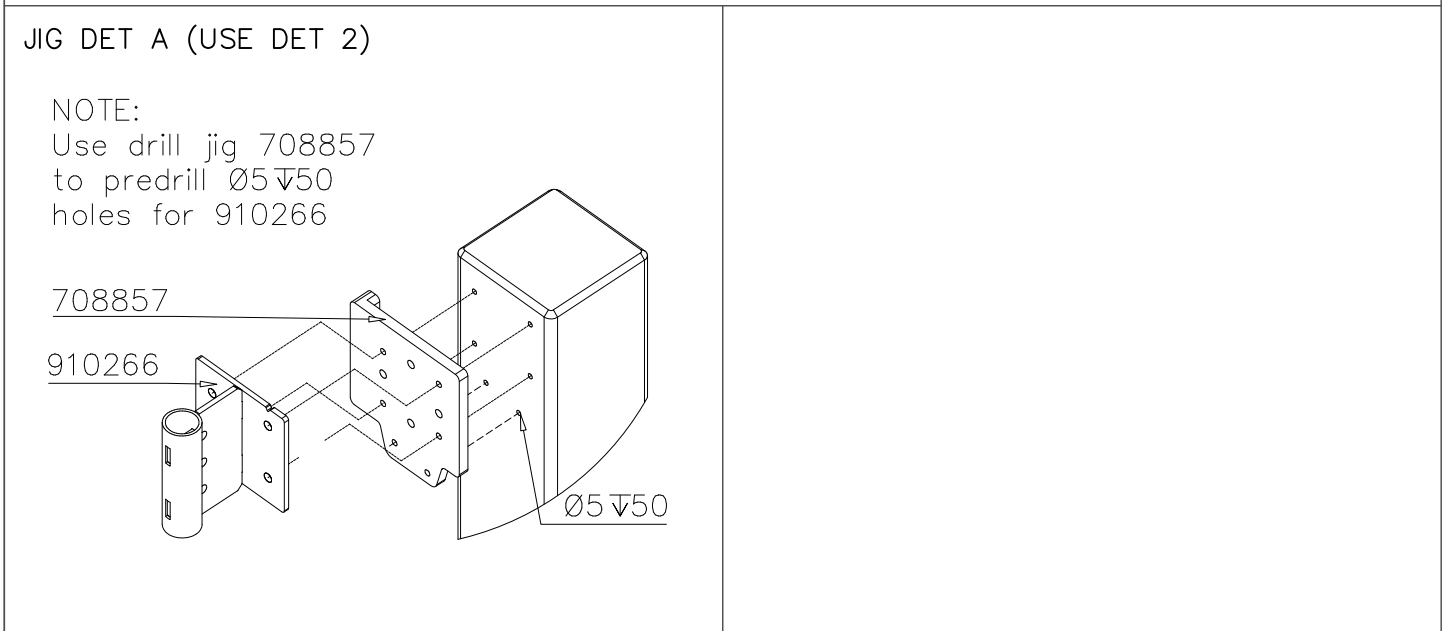
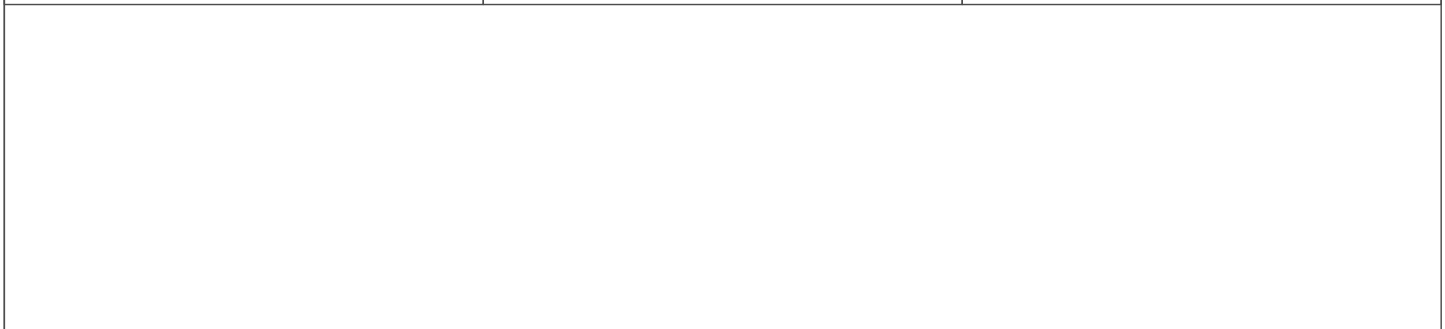
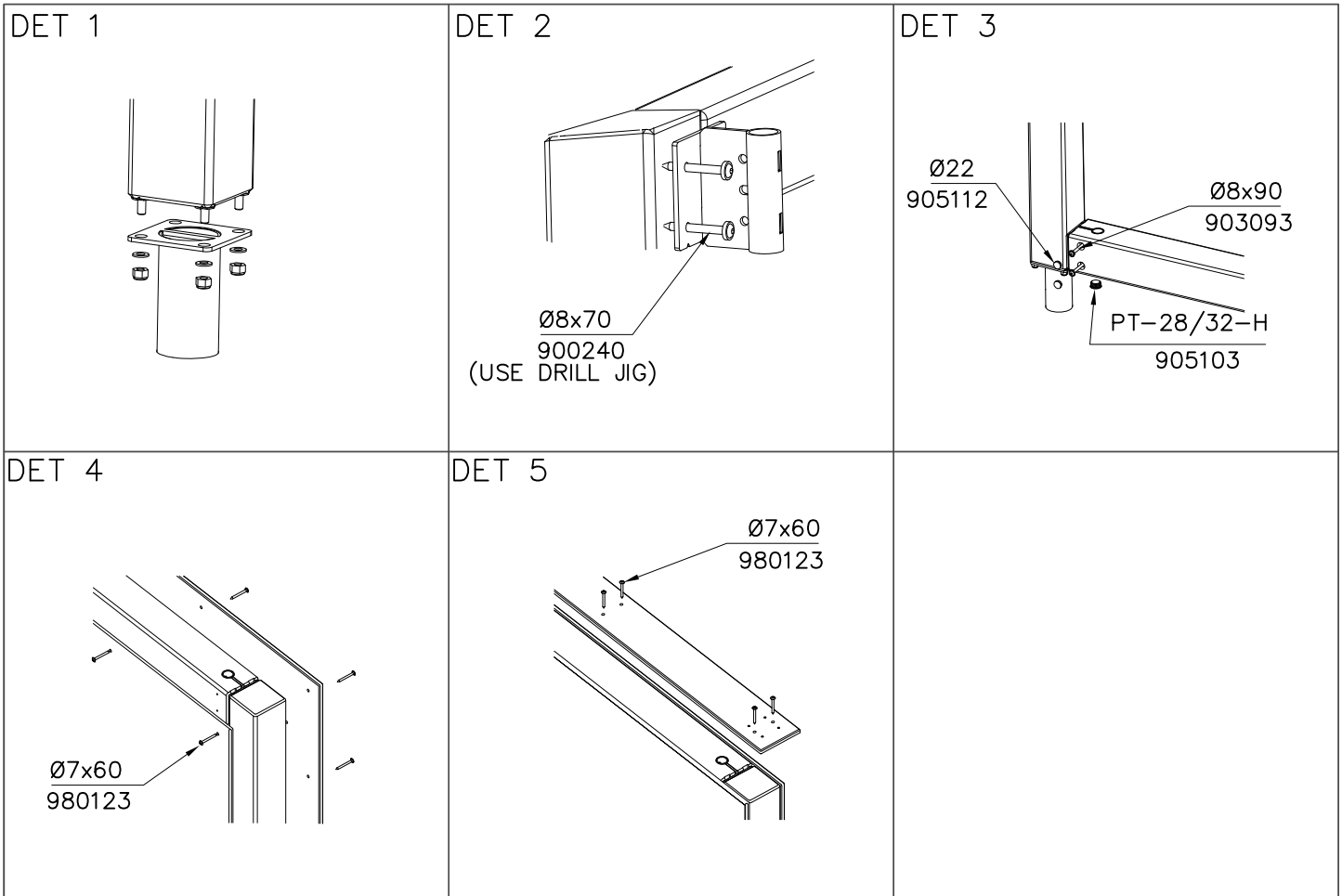
FOOT OPTIONS

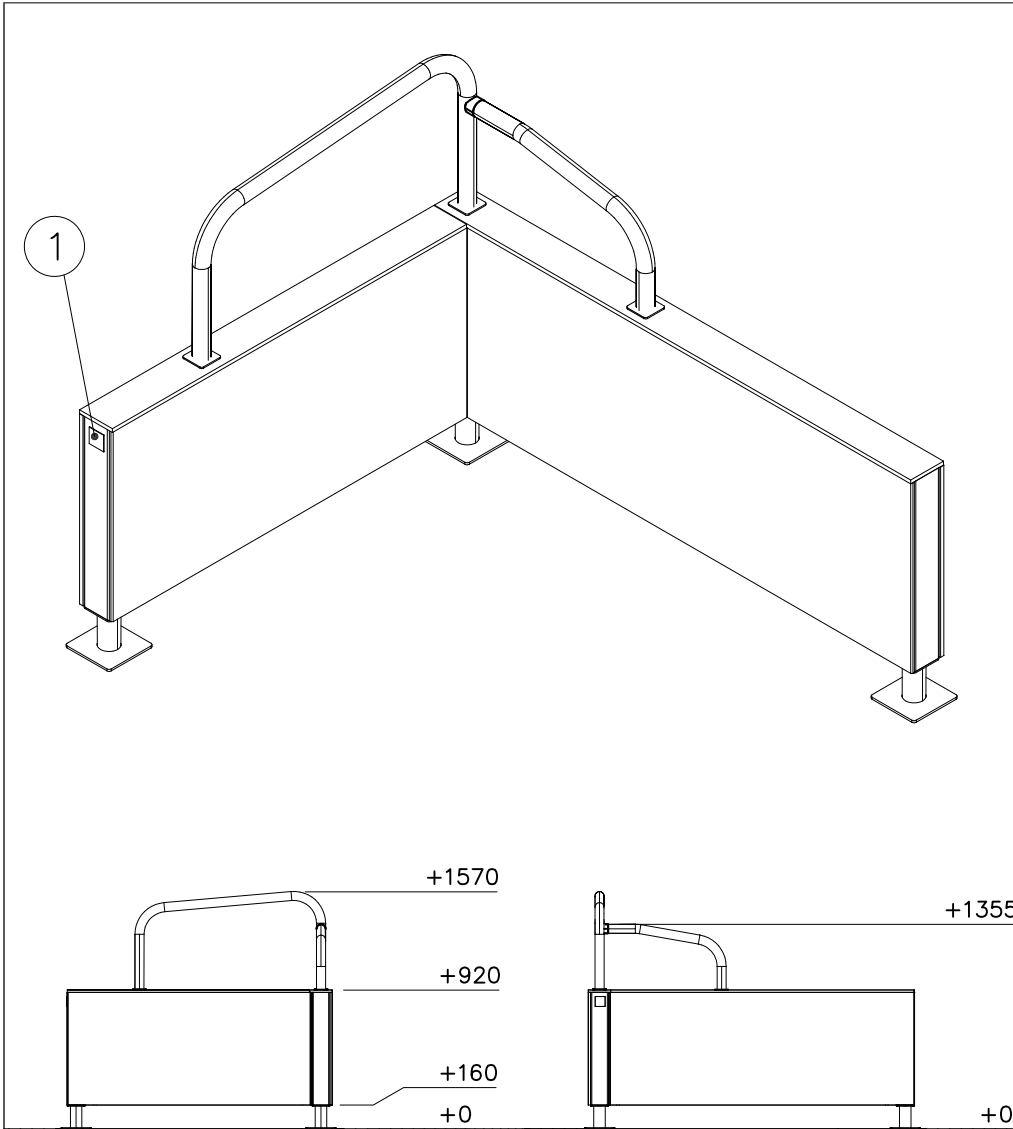
709261+		709262+	
○ 910330	PCS	○ 910567	PCS
SURFACE	3	CONCRETE	3
			
152x200x200		117x117x715	

----- Falling Space 18.8 m²
Max Falling Height 920 mm

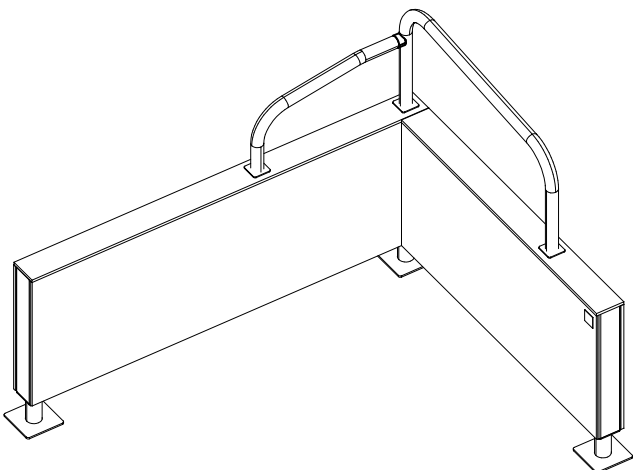


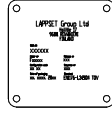

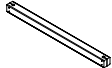

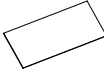


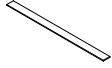
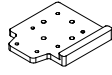
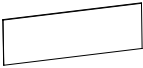



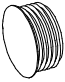

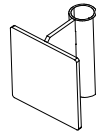





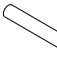
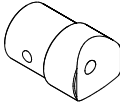





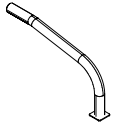

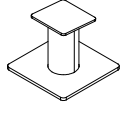





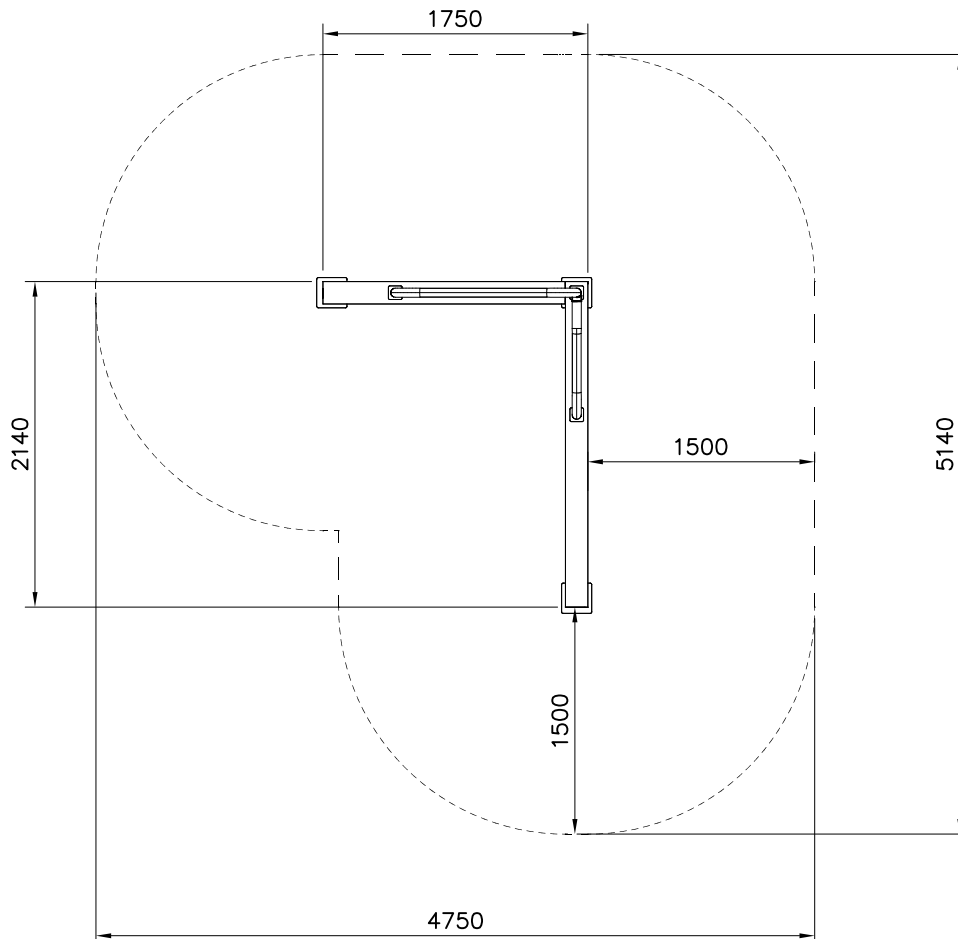
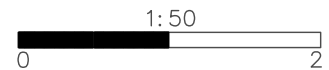
INSTALLATION OF A SECOND HAND

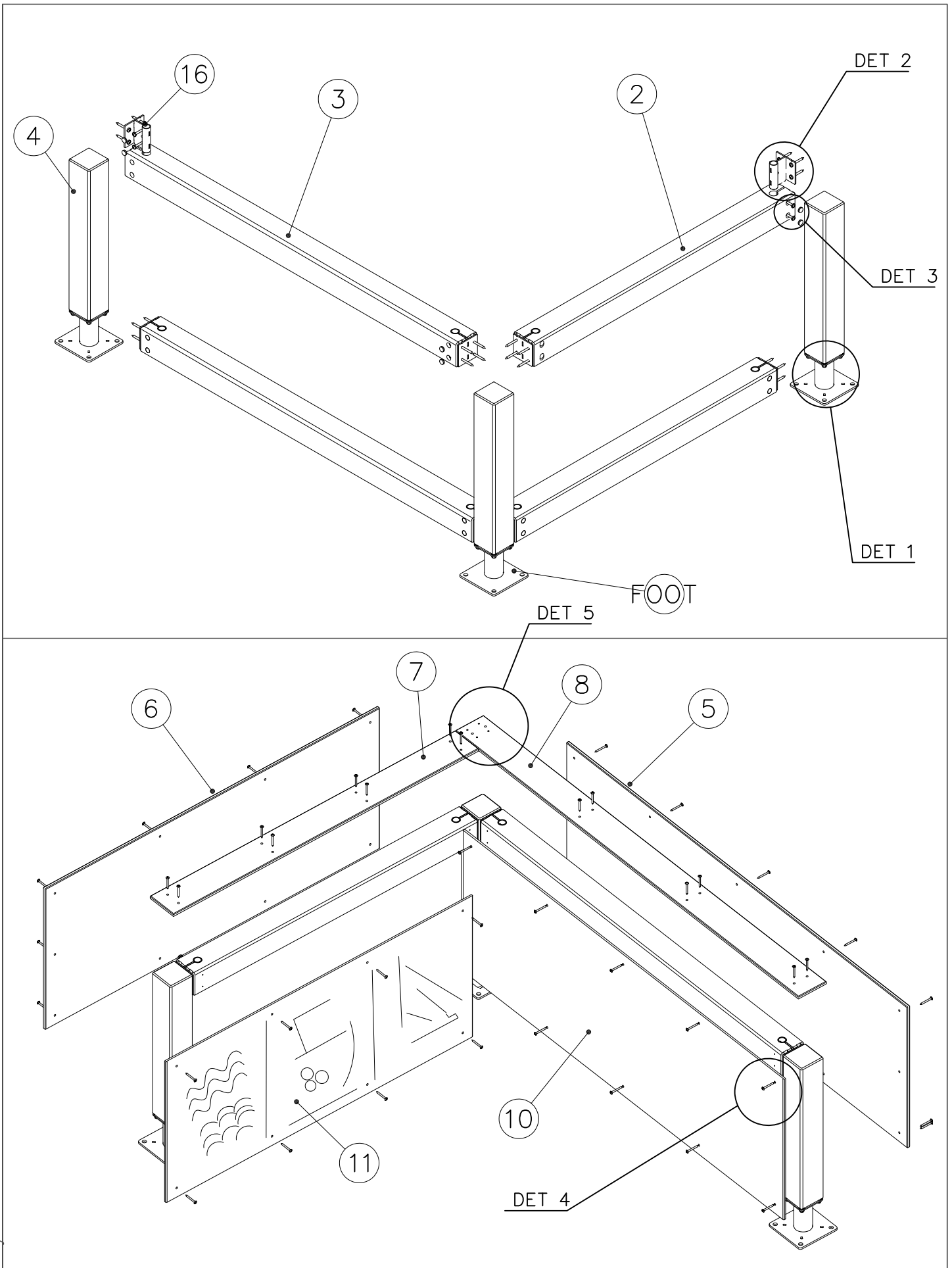


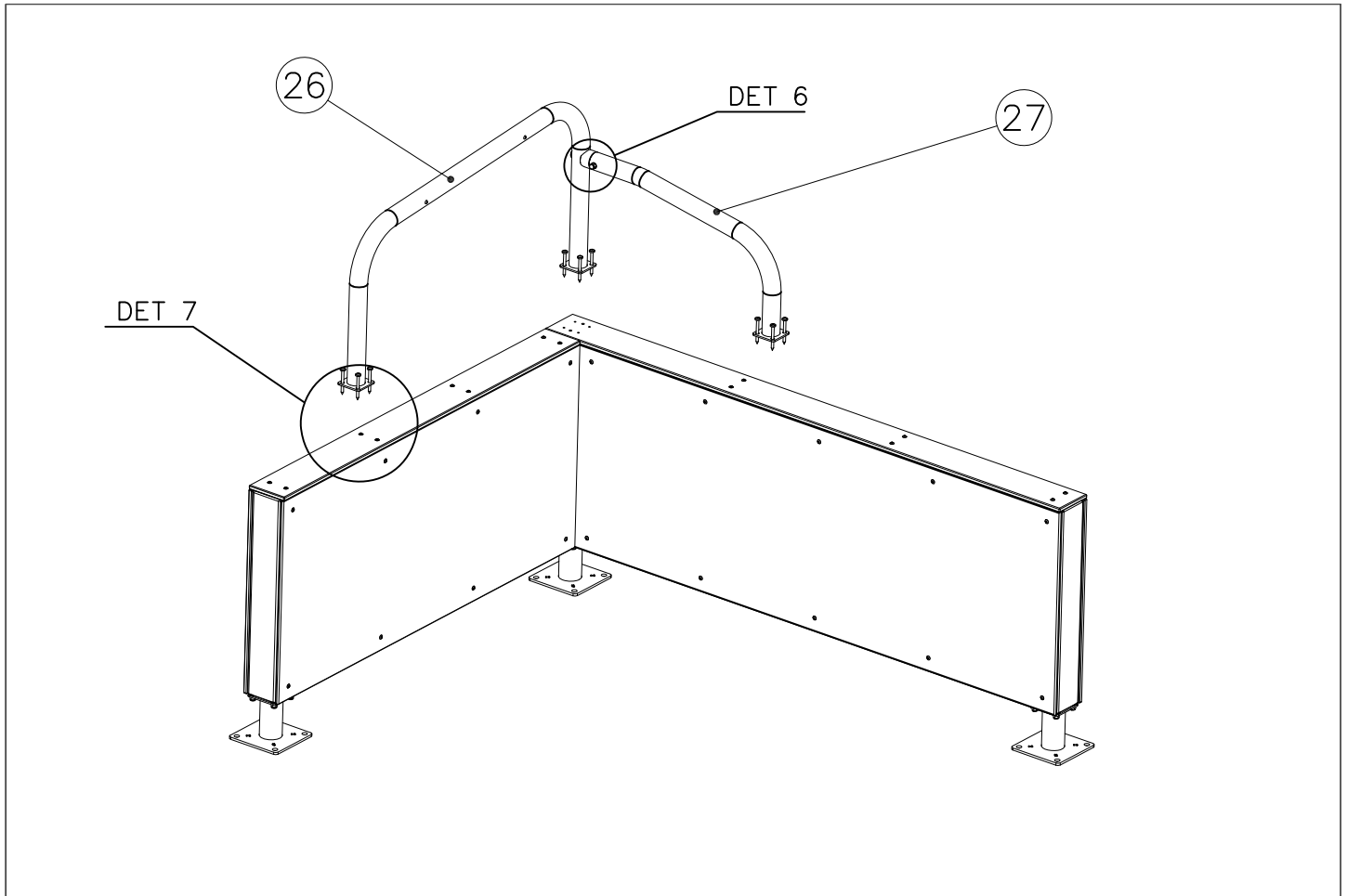
① 702286	PCS	② 707213	PCS
	1		2
65x65		118x118x1490	
③ 707517	PCS	④ 708137	PCS
	2		3
118x118x1892		118x118x745	
⑤ 708715	PCS	⑥ 708716	PCS
	1		1
15x745x2140		15x745x1753	
⑦ 708737	PCS	⑧ 708738	PCS
	1		1
15x148x1601		15x148x2153	
⑨ 708857	PCS	⑩ 911309	PCS
JIG	1	COLOR	1
			
20x133x149		12x745x2015	
⑪ 911311	PCS	⑫ 900240	PCS
MURAL	1		32
		Ø8x70	
12x745x1610			
⑬ 903093	PCS	⑭ 905103	PCS
	28		8
Ø8x90		PT-28/32-H	
⑮ 905112	PCS	⑯ 910266	PCS
	16		8
Ø22		90x108x118	
		⑰ 980123	PCS
			54
		Ø7x60	

18 900965  M10	PCS 1	19 903533  SRL12	PCS 4	20 904133  M10x80	PCS 1	21 908069  Ø60x87.6	PCS 1	22 909111  M12x100	PCS 1	23 909248  M12	PCS 1	24 980114  Ø4x20	PCS 4
25 909638  Ø20/10.5	PCS 4	26 910254  Ø60x650x1290	PCS 1	27 910262  Ø60x435x795	PCS 1	28 980154  Ø24/13	PCS 1	FOOT OPTIONS 709261+ 709262+					
		910330 SURFACE  152x200x200		PCS 3	910567 CONCRETE  117x117x715		PCS 3						

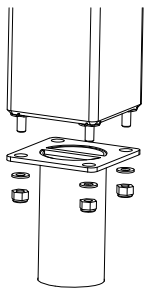
----- Falling Space 18.8 m²
 Max Falling Height 1570 mm



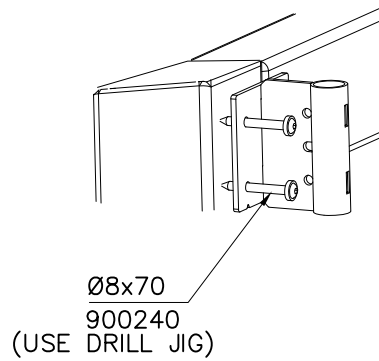




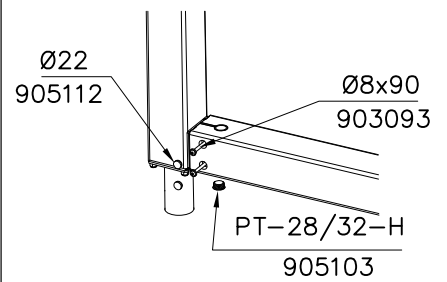
DET 1



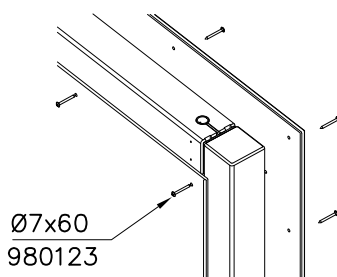
DET 2



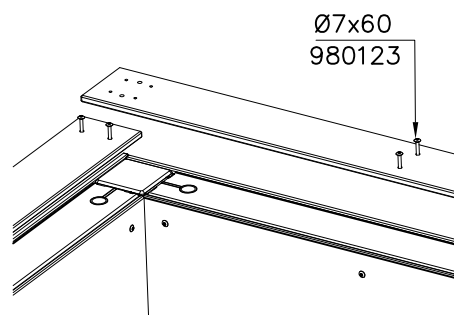
DET 3



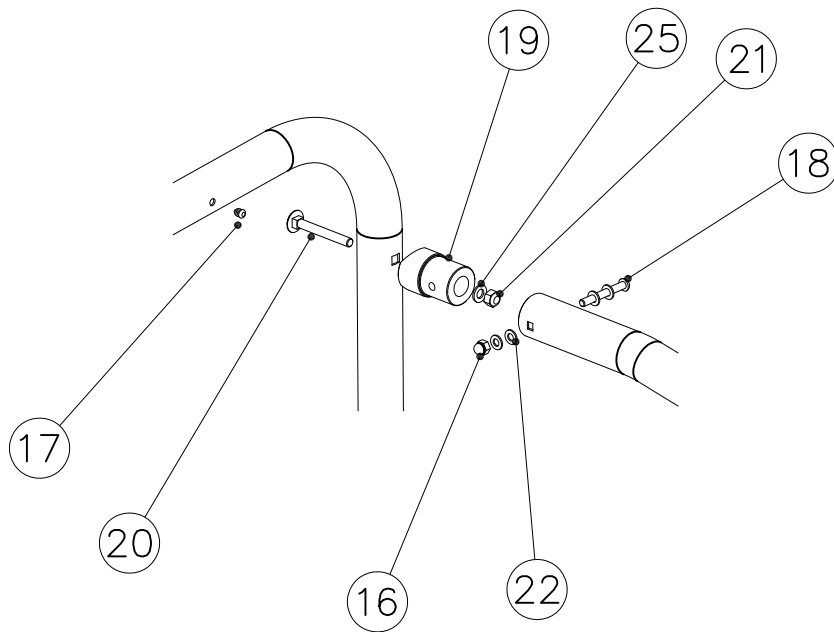
DET 4



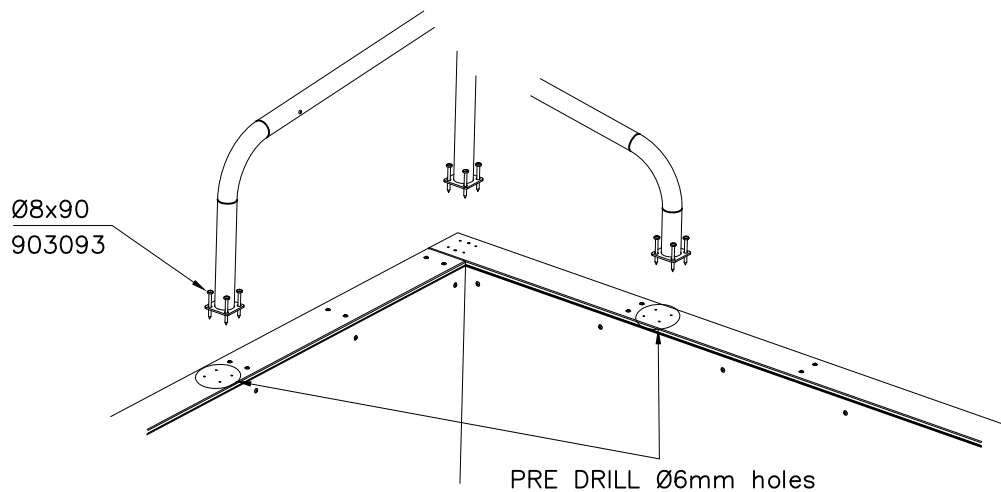
DET 5



DET 6



DET 7



JIG DET A (USE DET 2)

NOTE:
Use drill jig 708857
to predrill $\text{Ø}5 \nabla 50$
holes for 910266

