

# WINAM GROUP

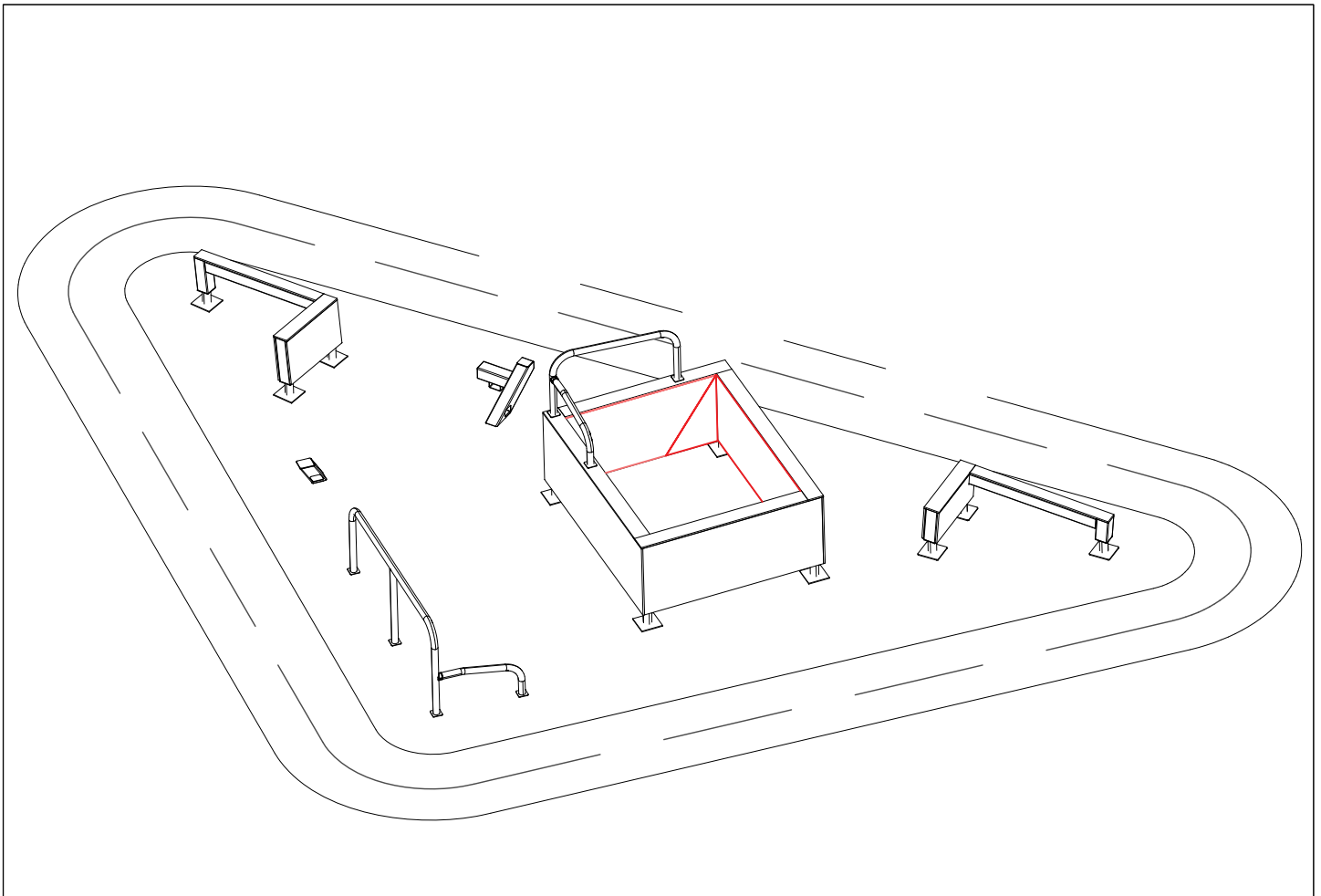
## DASH PARKOUR



ASENNUSOHJE  
MONTERINGSANSVISNING  
INSTALLATION INSTRUCTION  
AUFBAUANLEITUNG  
NOTICE D'INSTALLATION

DATE: 17.2.2020

### 081760M



# WINAM GROUP

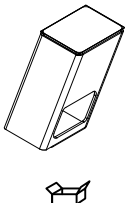
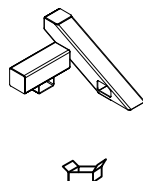
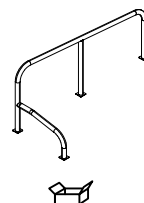
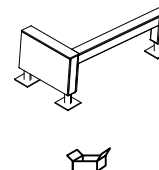
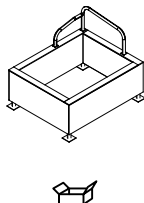
## DASH PARKOUR

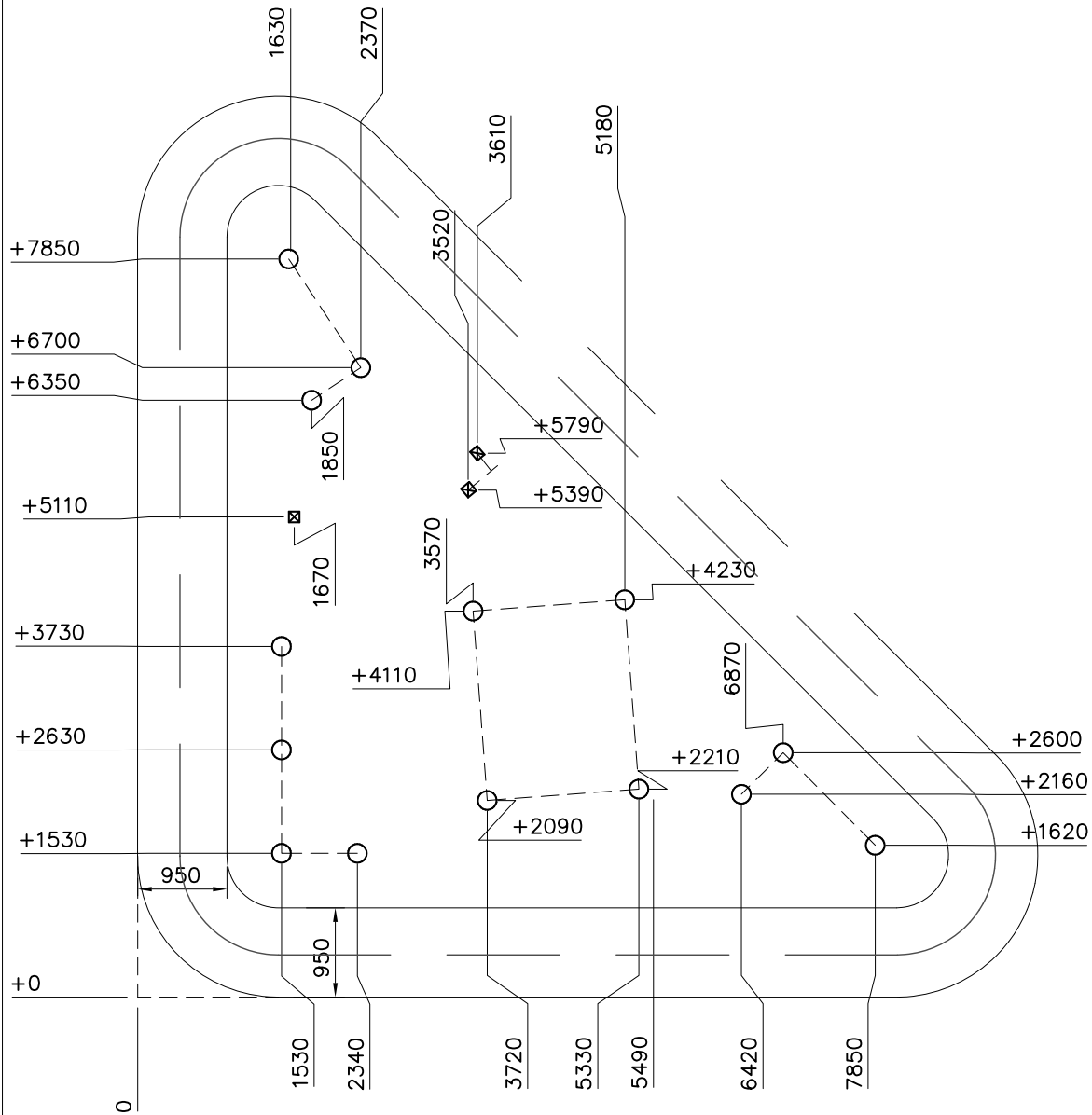
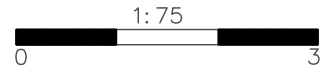
# 081760M

DATE: 17.2.2020

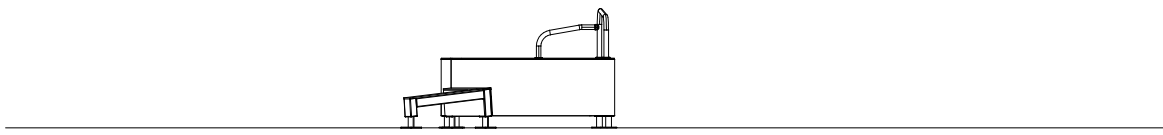
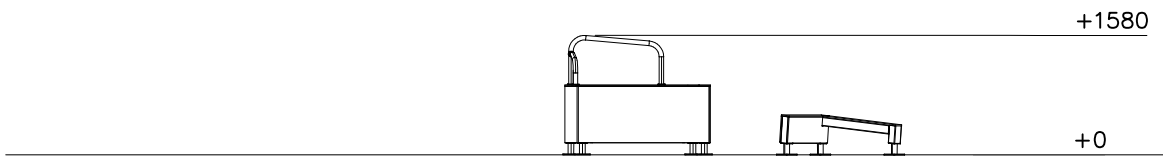
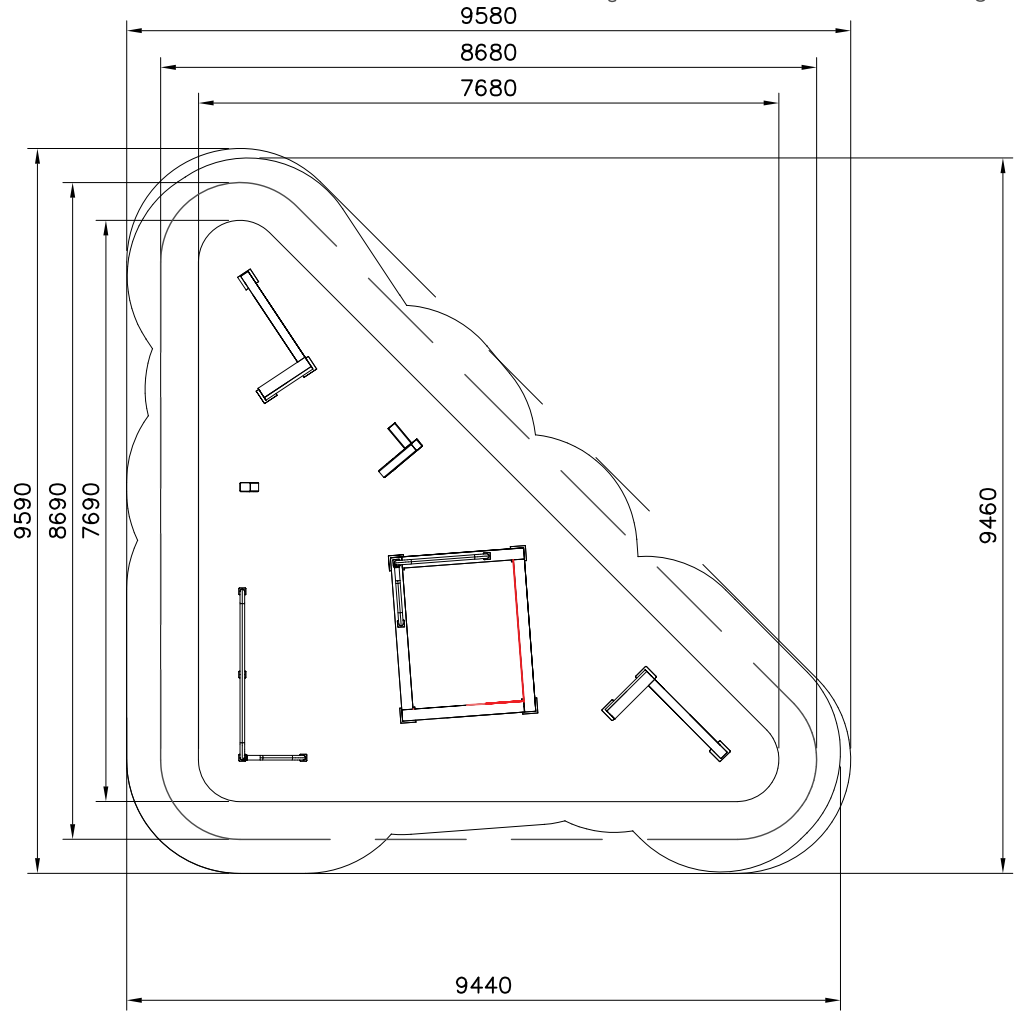


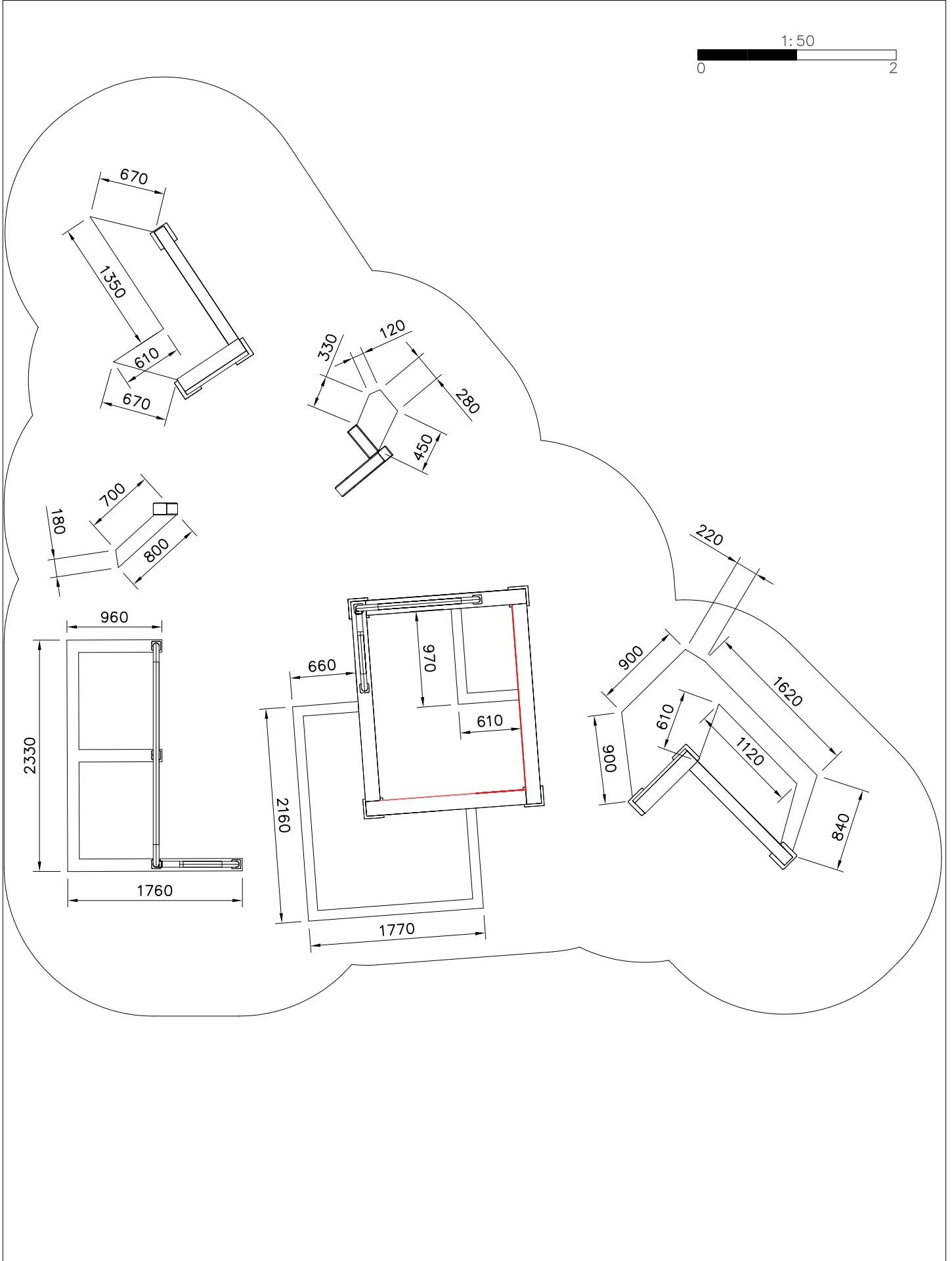
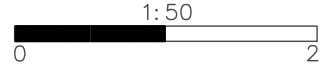
1(1)  
3

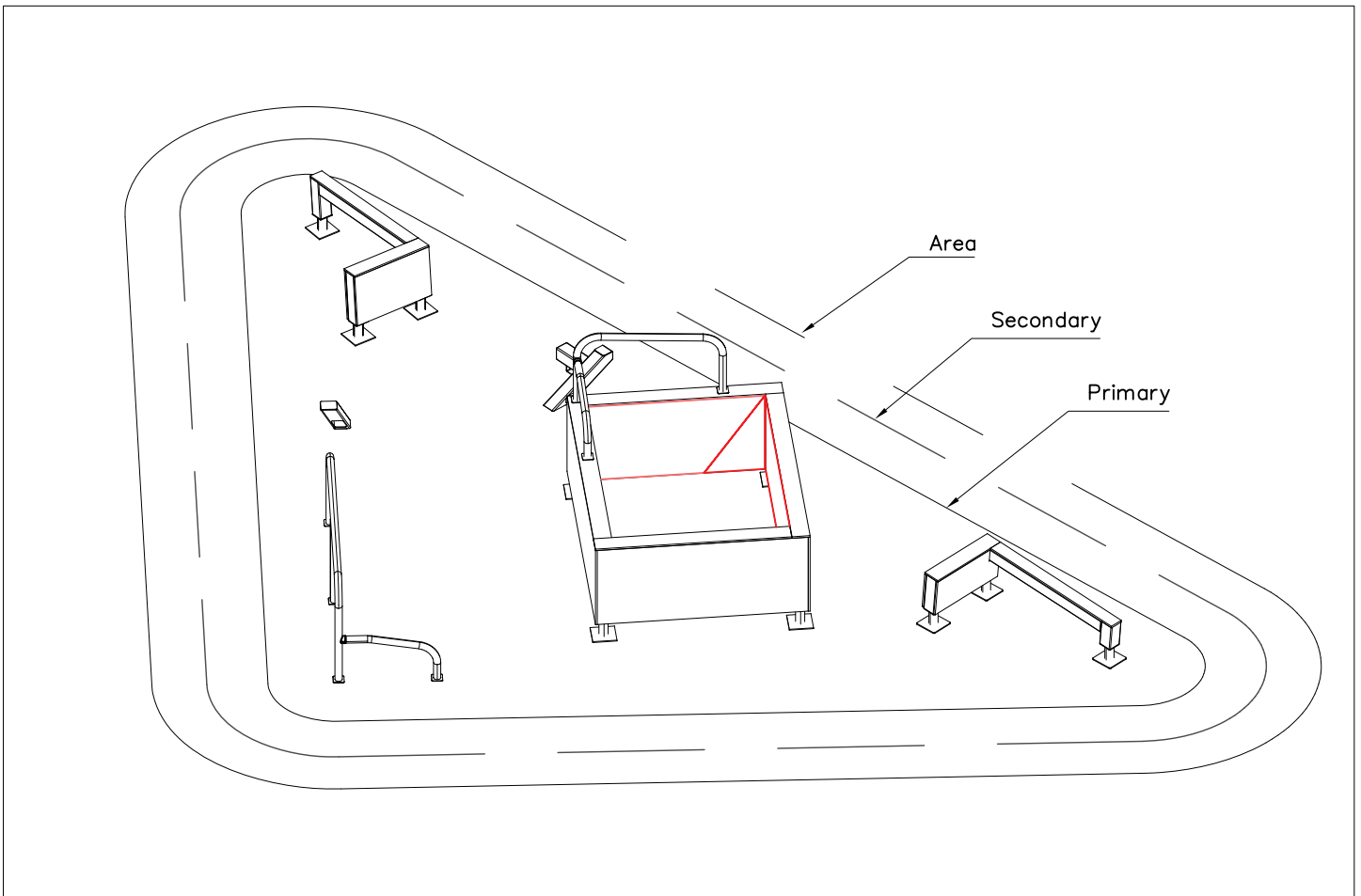
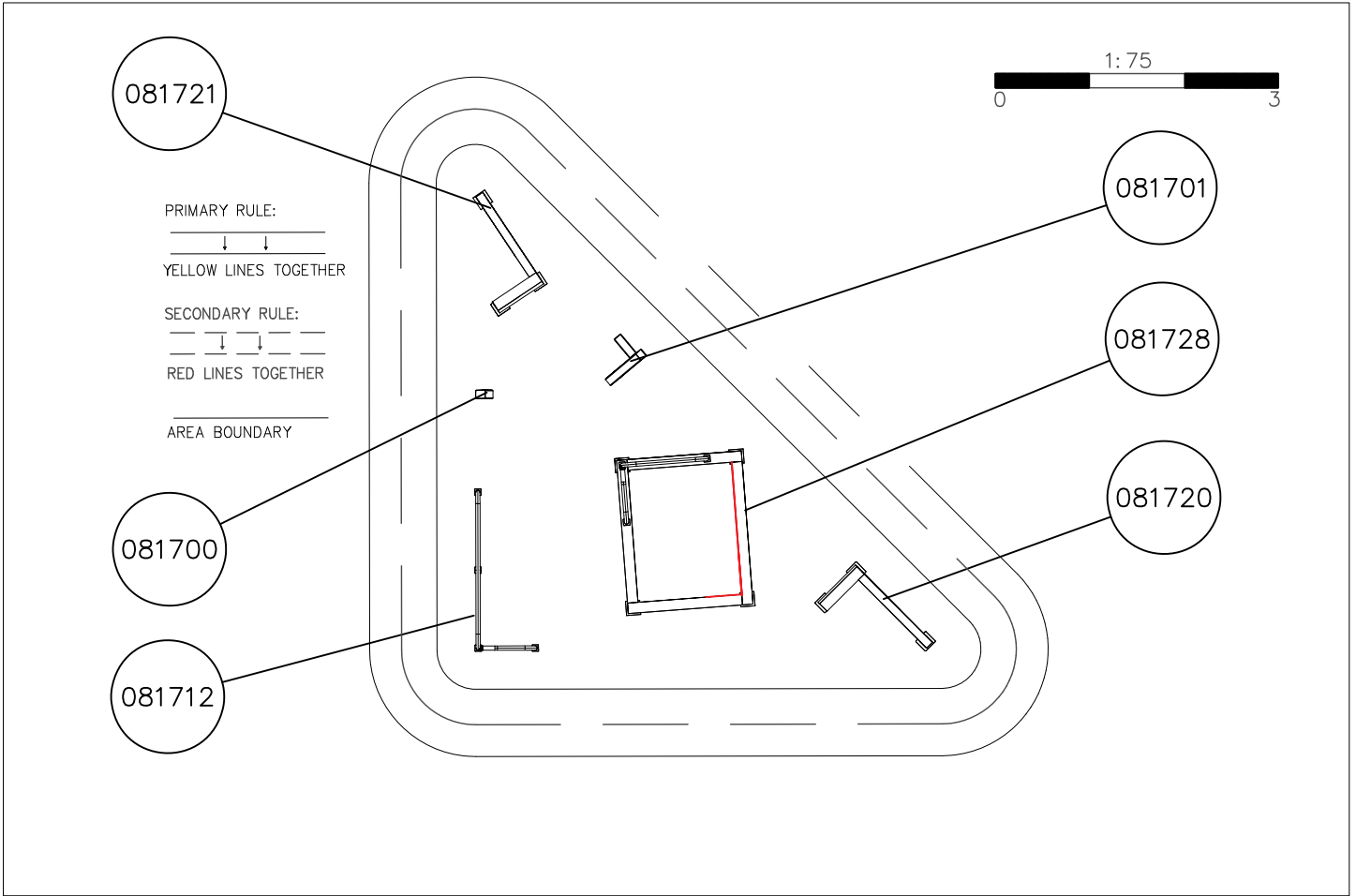
081700M	PCS	081701M	PCS	081712M	PCS	081720M	PCS	081721M	PCS	081728M	PCS
	1		1		1		1		1		1
	PCS		PCS		PCS		PCS		PCS		PCS
	PCS		PCS		PCS		PCS		PCS		PCS
	PCS		PCS		PCS		PCS		PCS		PCS
	PCS		PCS		PCS		PCS		PCS		PCS
	PCS		PCS		PCS		PCS		PCS		PCS

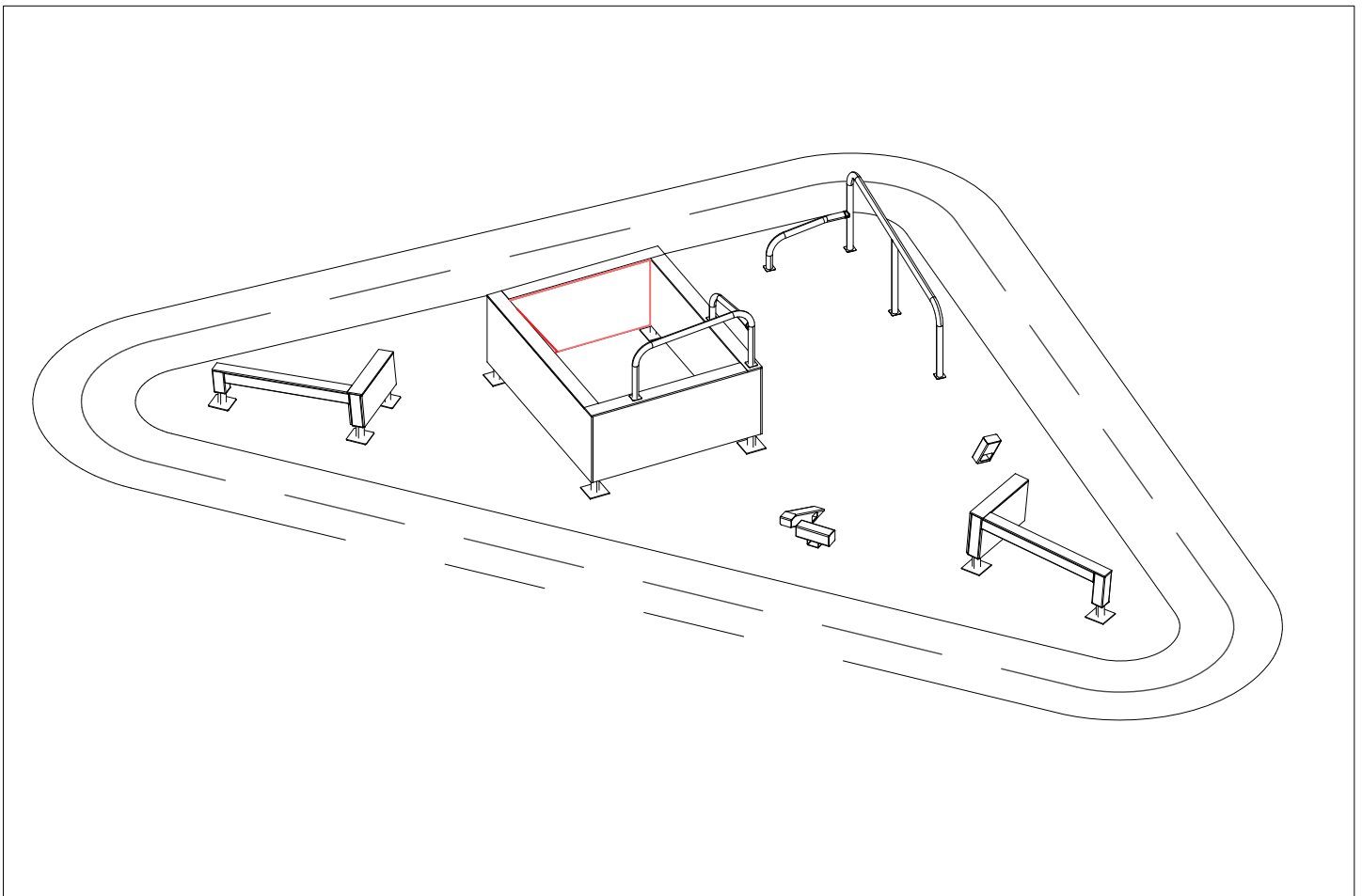
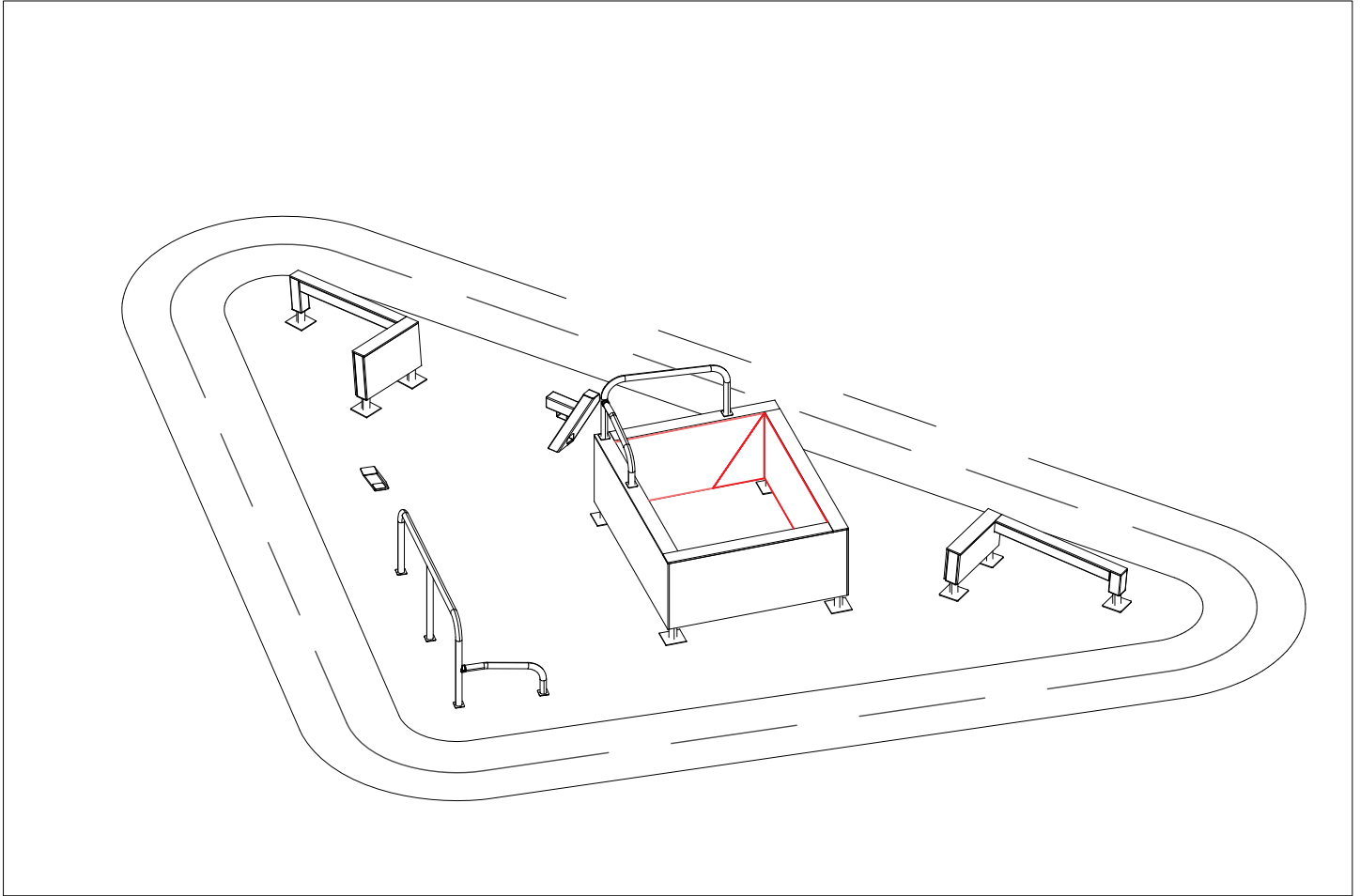


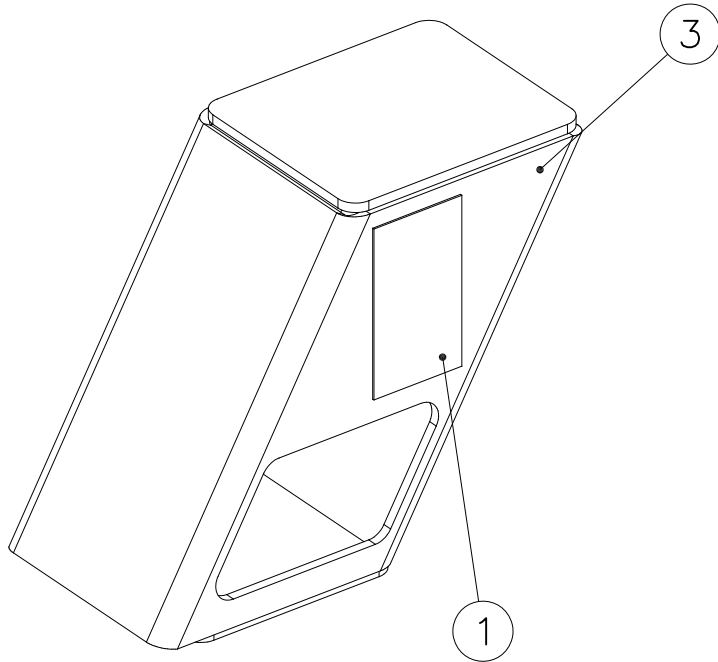
— Falling Space 57.9 m<sup>2</sup>  
Max Falling Height 1580 mm

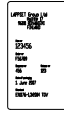











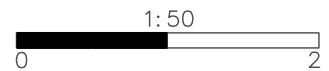


① 702341	PCS	② 709381	PCS
	1		2
90x50		SURFACE	

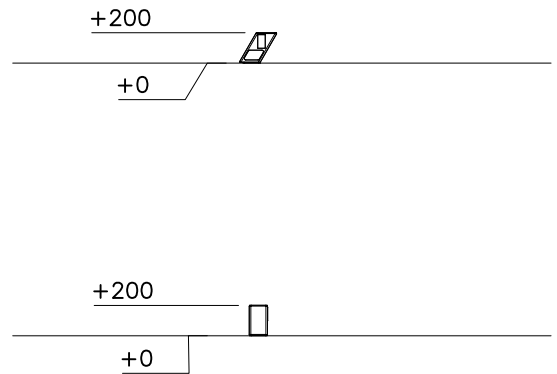
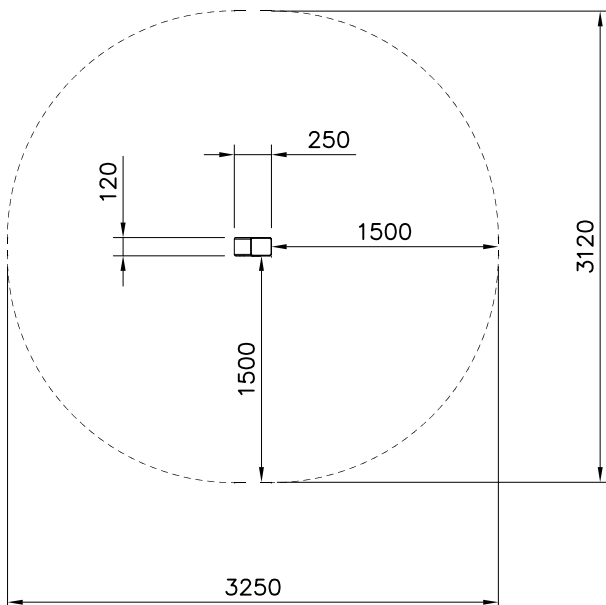
③ 910219	PCS
	1
120x120x200	

FOOT OPTION FOR DEEP MOUNTING

709379+	
○ 902564	PCS
	1
L 550	

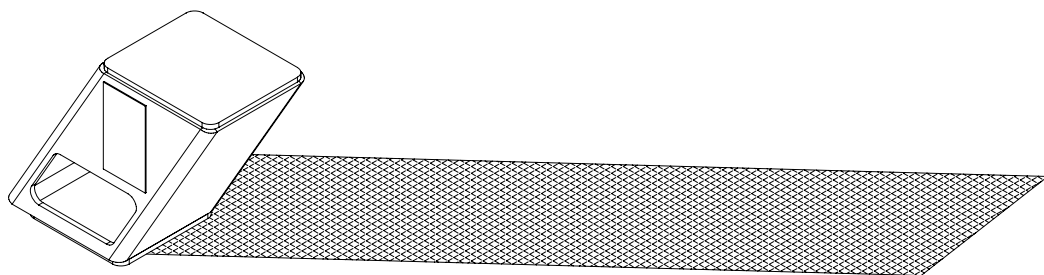
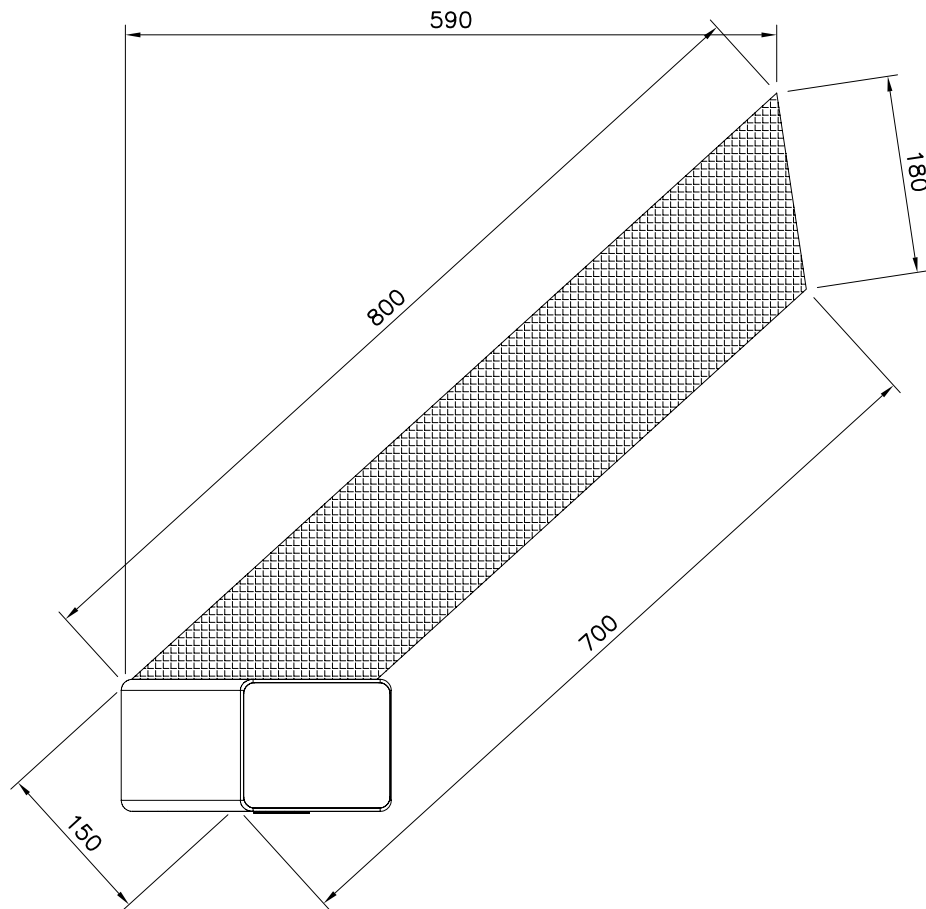


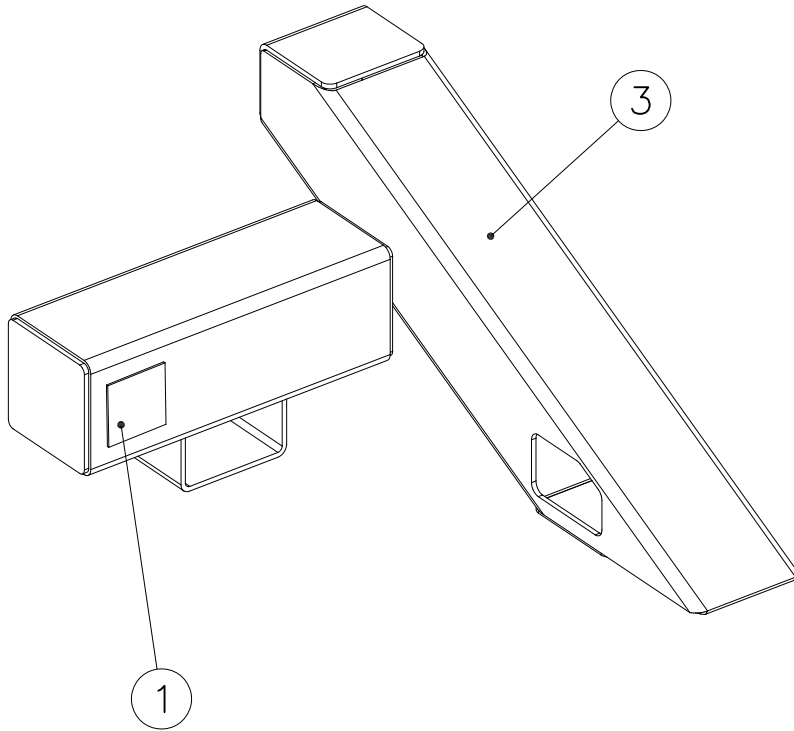
----- Falling Space 8.2 m<sup>2</sup>  
Max Falling Height 200 mm

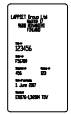

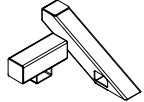





Shadow lines

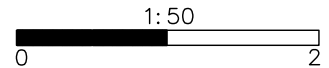




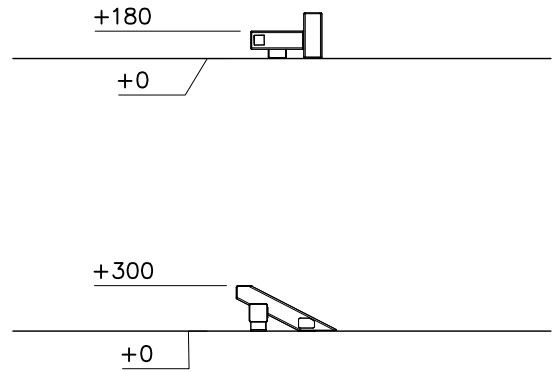
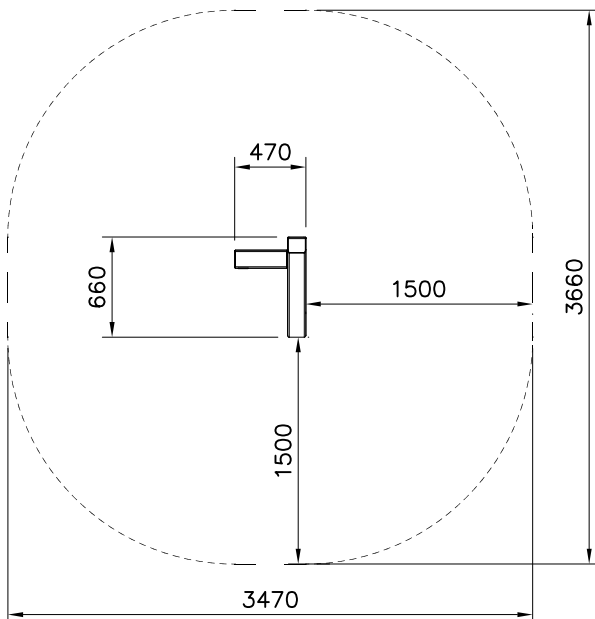
① 702341	PCS	② 709381	PCS
	1		2
90x50		SURFACE	
		③ 910220	PCS
			1
		300x470x662	

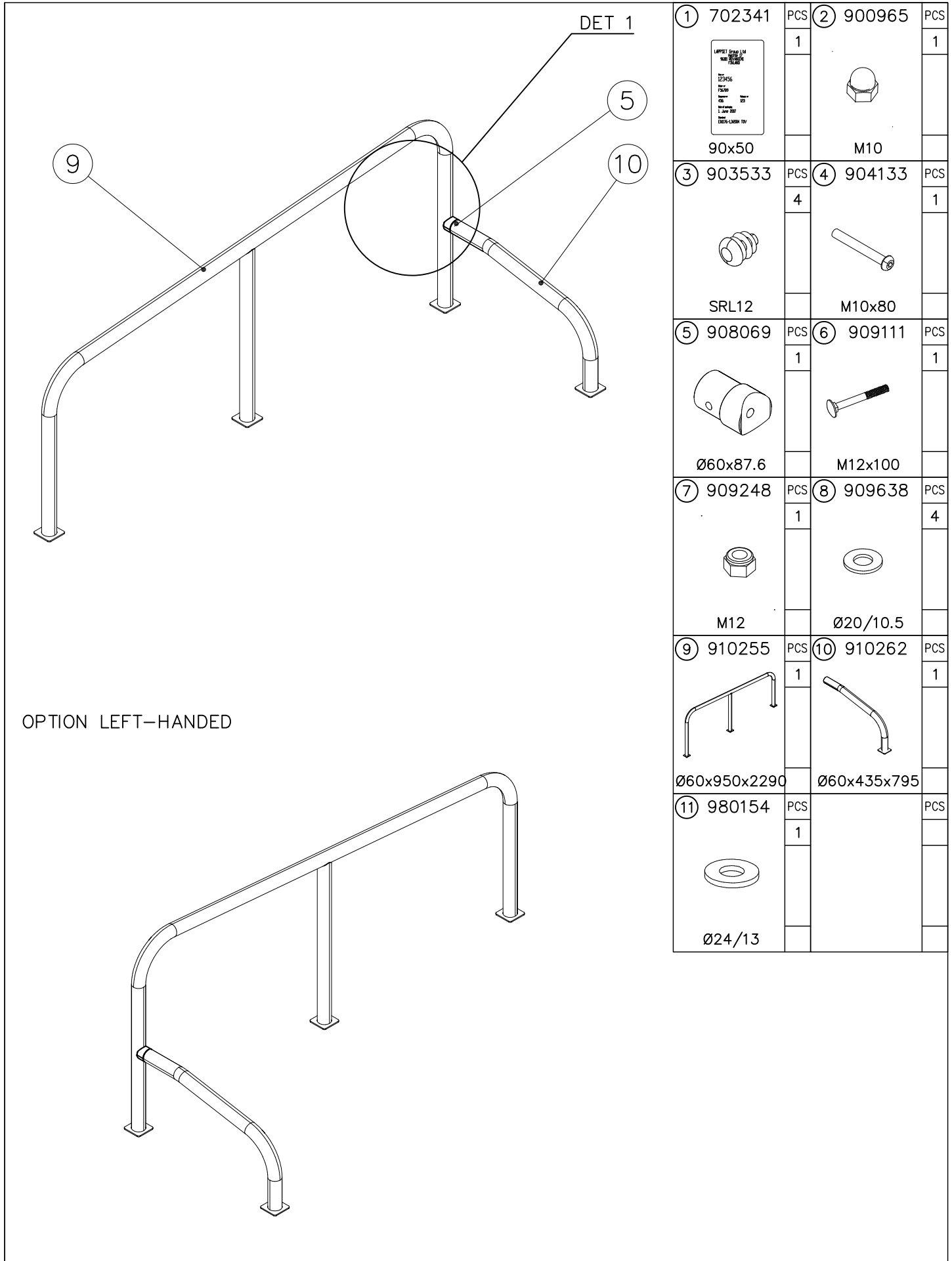
FOOT OPTION FOR DEEP MOUNTING



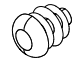
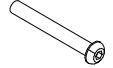
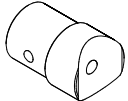
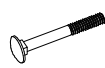


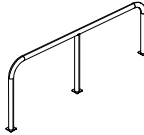
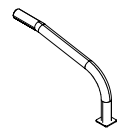

709379+	
○ 902564	PCS
	2
L 550	

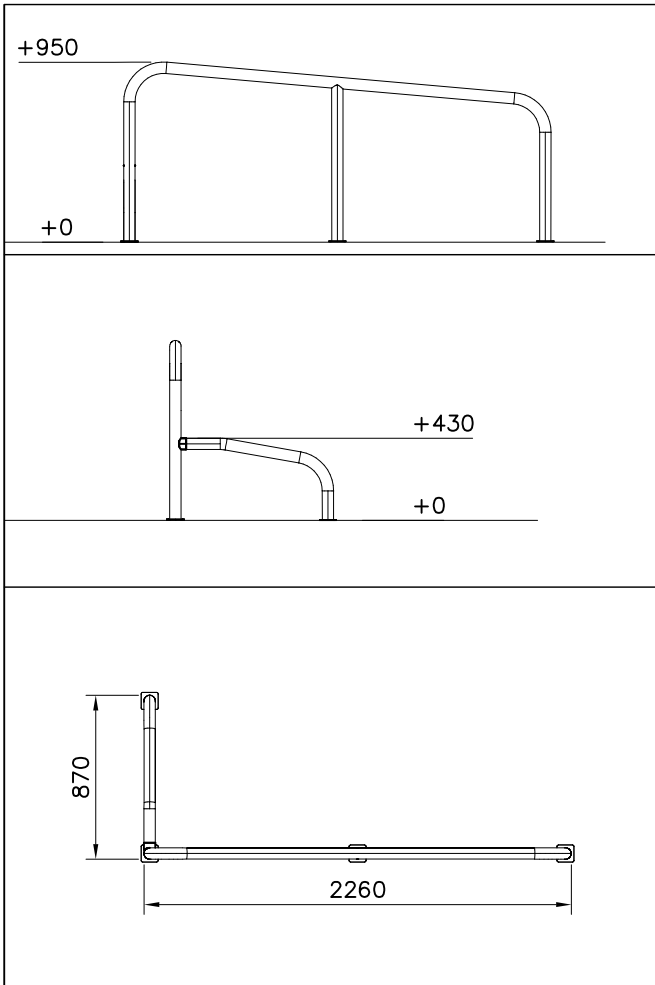


----- Falling Space 10.8 m<sup>2</sup>  
 Max Falling Height 300 mm

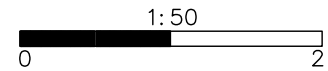
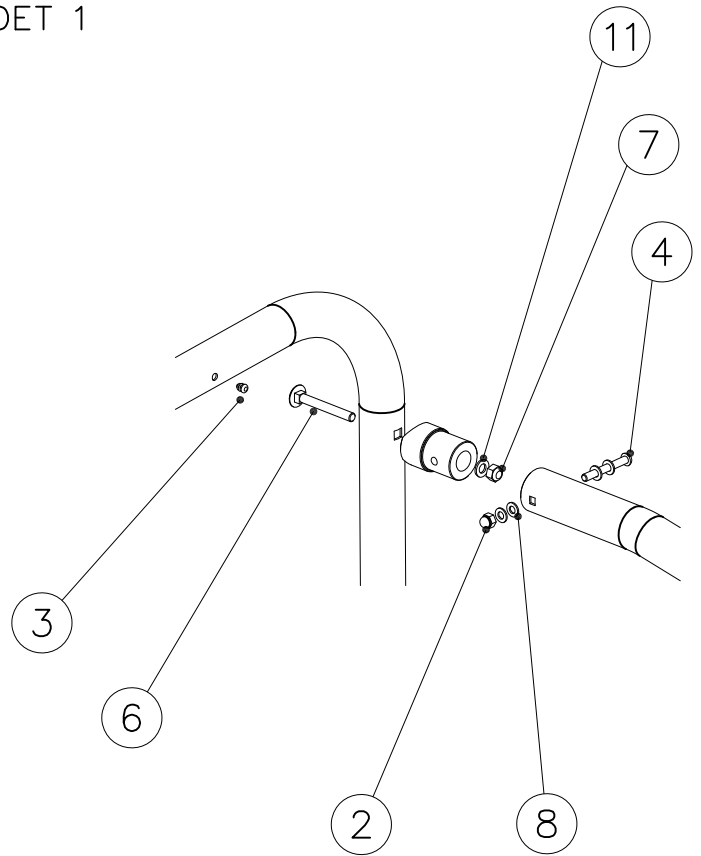




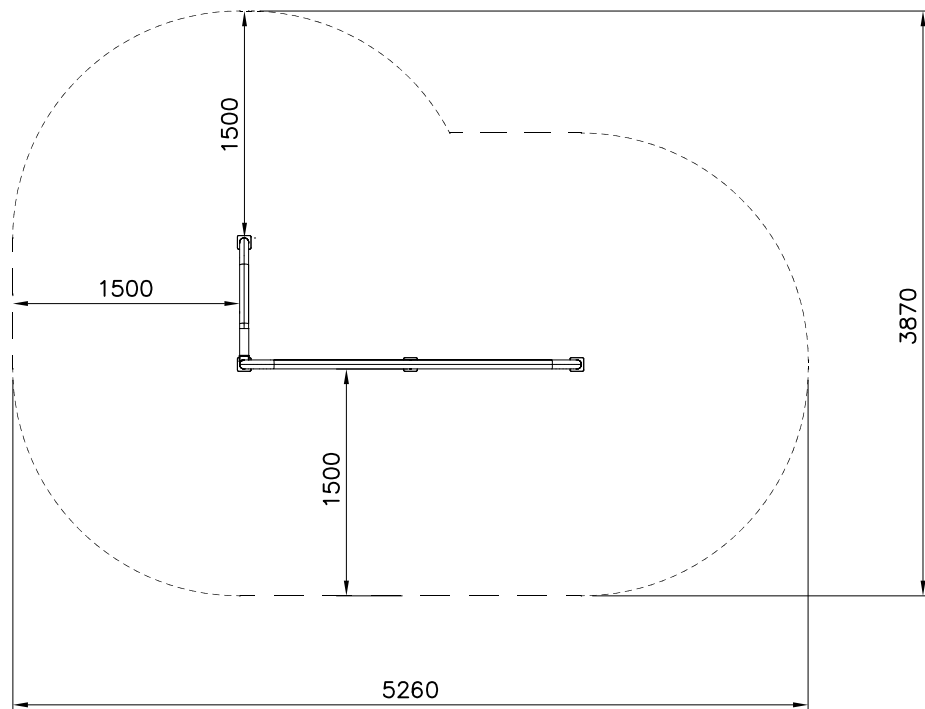
①	702341	PCS	②	900965	PCS
		1			1
	90x50			M10	
③	903533	PCS	④	904133	PCS
		4			1
	SRL12			M10x80	
⑤	908069	PCS	⑥	909111	PCS
		1			1
	Ø60x87.6			M12x100	
⑦	909248	PCS	⑧	909638	PCS
		1			4
	M12			Ø20/10.5	
⑨	910255	PCS	⑩	910262	PCS
		1			1
	Ø60x950x2290			Ø60x435x795	
⑪	980154	PCS			PCS
		1			
	Ø24/13				

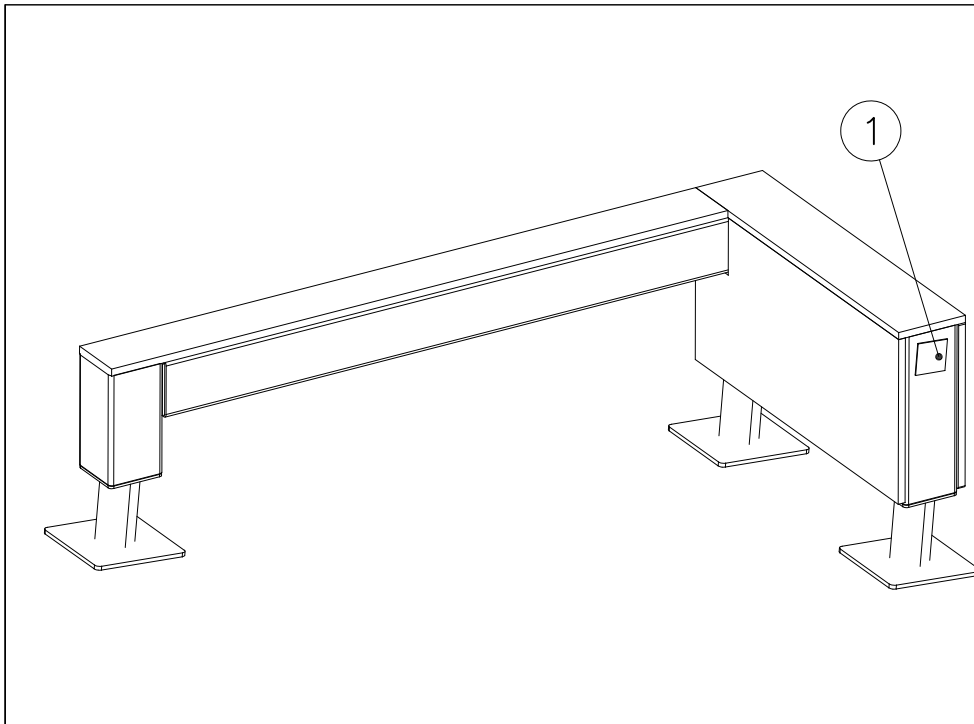



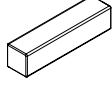

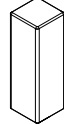

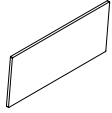
DET 1

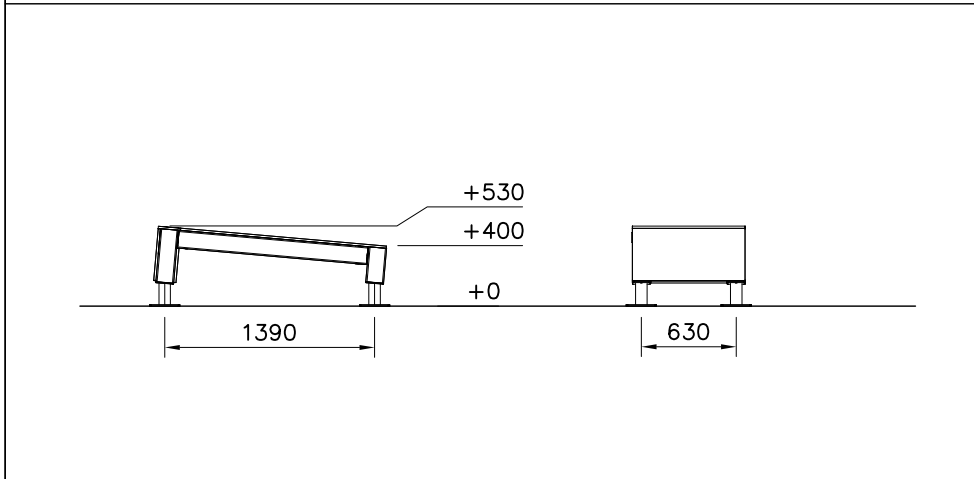


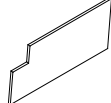
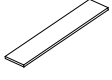

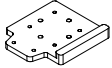
----- Falling Space 16.2 m<sup>2</sup>  
Max Falling Height 950 mm

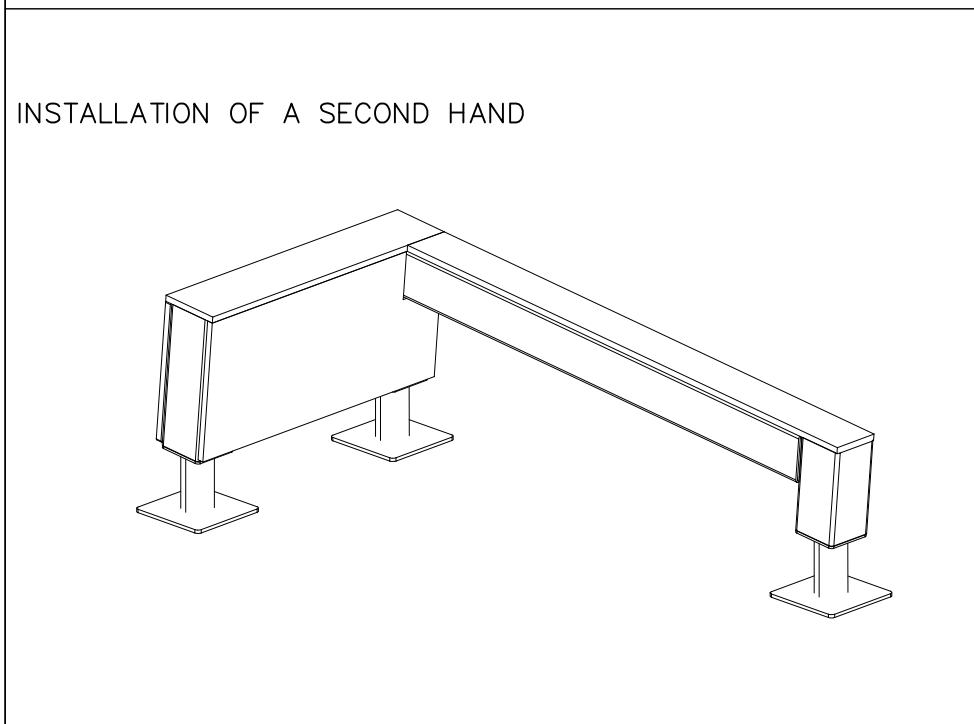


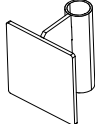




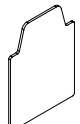





① 702286	PCS	② 707210	PCS
	1		2
65x65		118x118x503	
③ 707212	PCS	④ 708347	PCS
	1		1
118x118x1254		118x118x231	
⑤ 708443	PCS	⑥ 708727	PCS
	2		1
118x118x352		15x346x745	



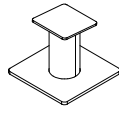

⑦ 708730	PCS	⑧ 708733	PCS
	1		1
15x346x745		15x148x745	
⑨ 708734	PCS	⑩ 708857	PCS
	1	JIG	1
15x118x1365			
		20x133x149	



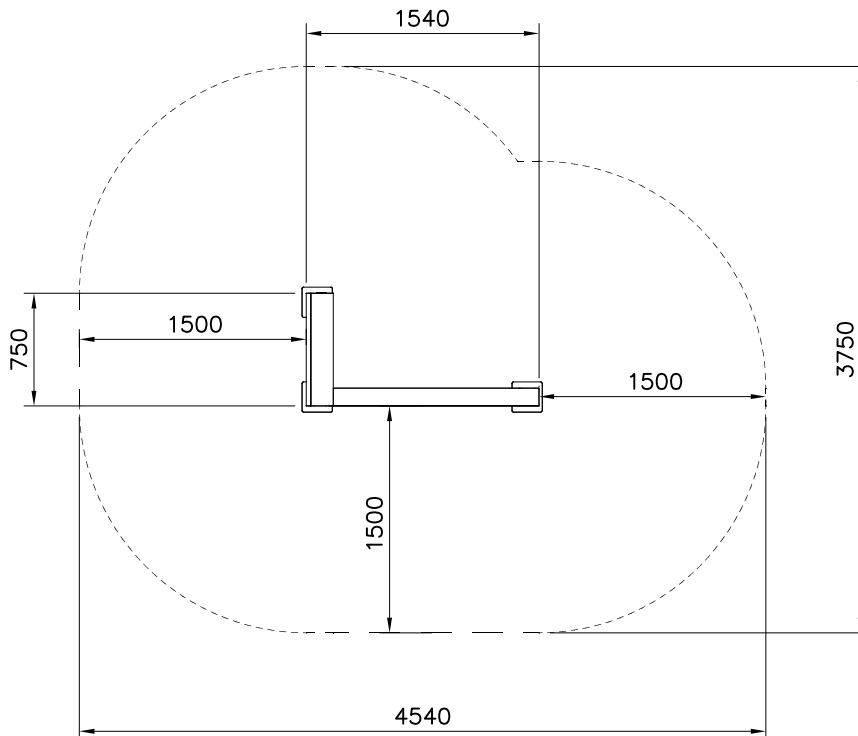
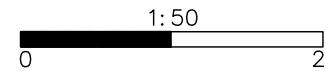
⑪ 910266	PCS	⑫ 900240	PCS
	2		16
90x108x118		Ø8x70	
⑬ 903093	PCS	⑭ 905103	PCS
	4		2
Ø8x90		PT-28/32-H	
⑮ 905112	PCS	⑯ 908698	PCS
	4		4
Ø22		3x114x108	

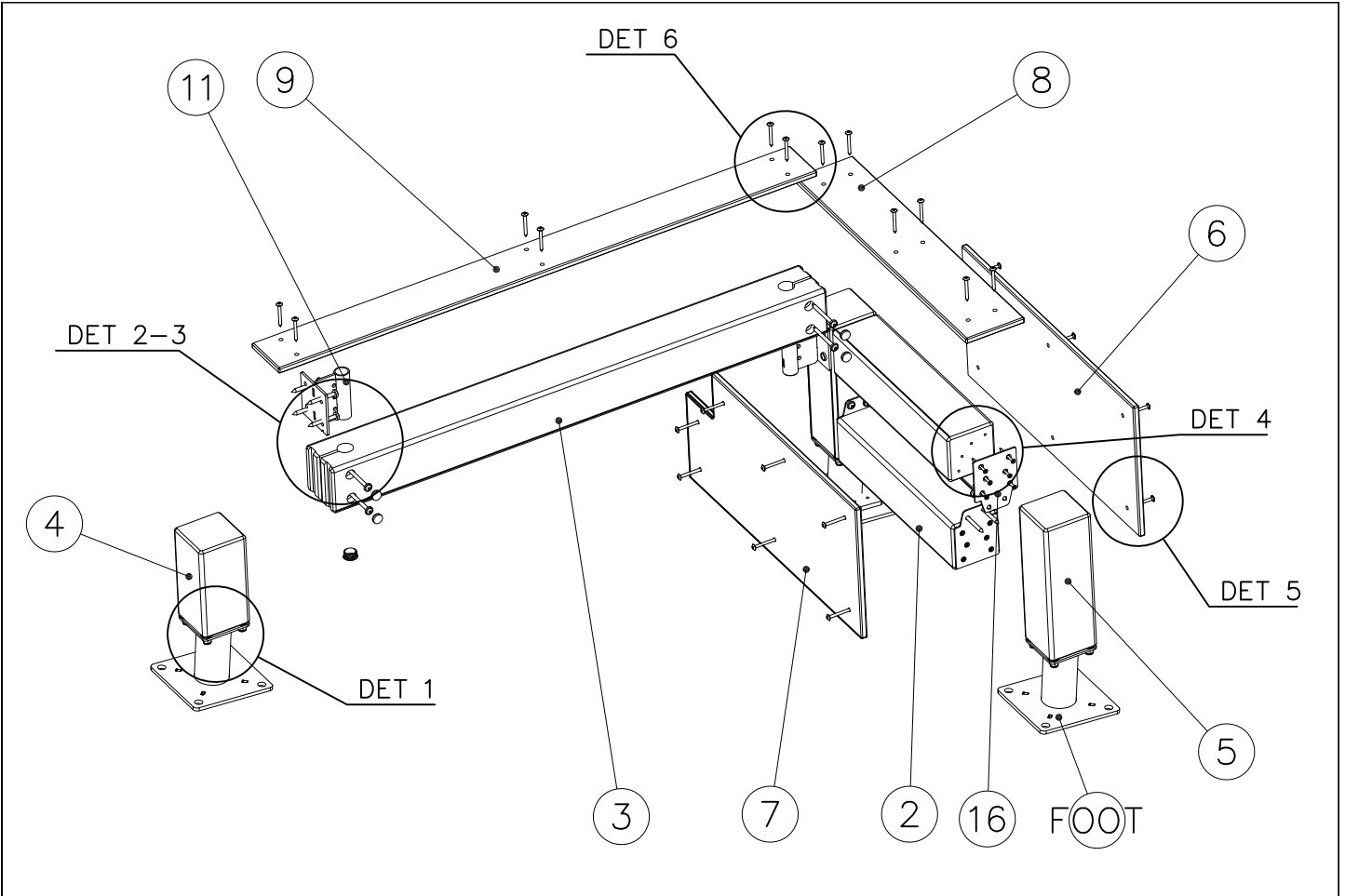
17	980100	PCS	18	980114	PCS	19	980123	PCS
		28			4			25
								
	Ø5x60			Ø4x20			Ø7x60	

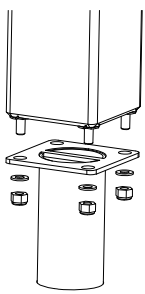
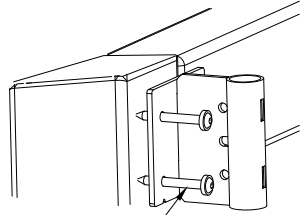
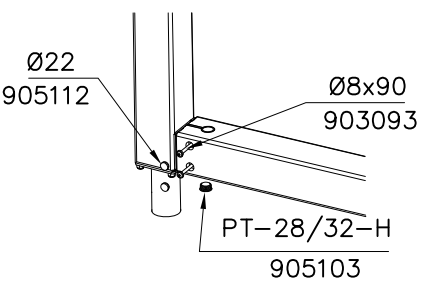
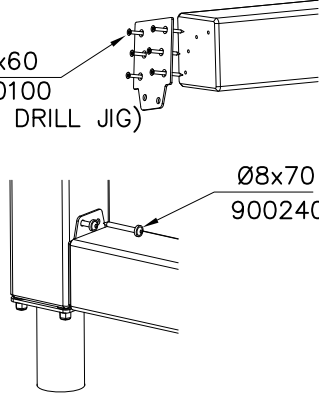
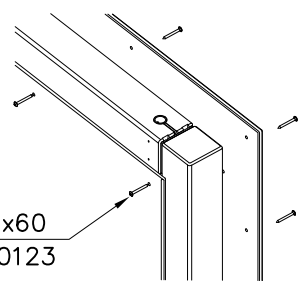
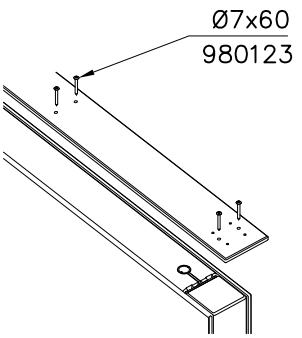
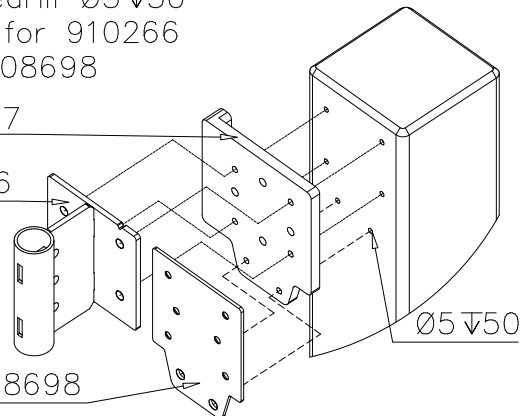
### FOOT OPTIONS

709261+		709262+	
910267	PCS	910567	PCS
SURFACE	3	CONCRETE	3
			
152x200x200		117x117x715	

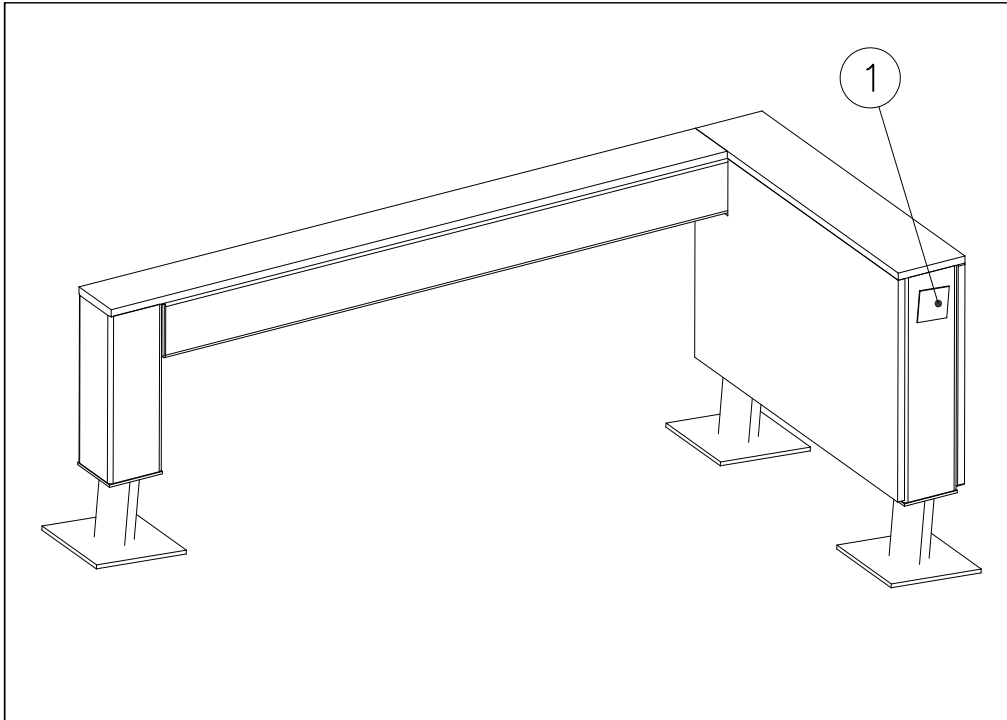
----- Falling Space 13.8 m<sup>2</sup>  
Max Falling Height 530 mm


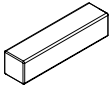

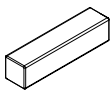
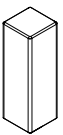
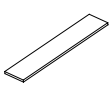


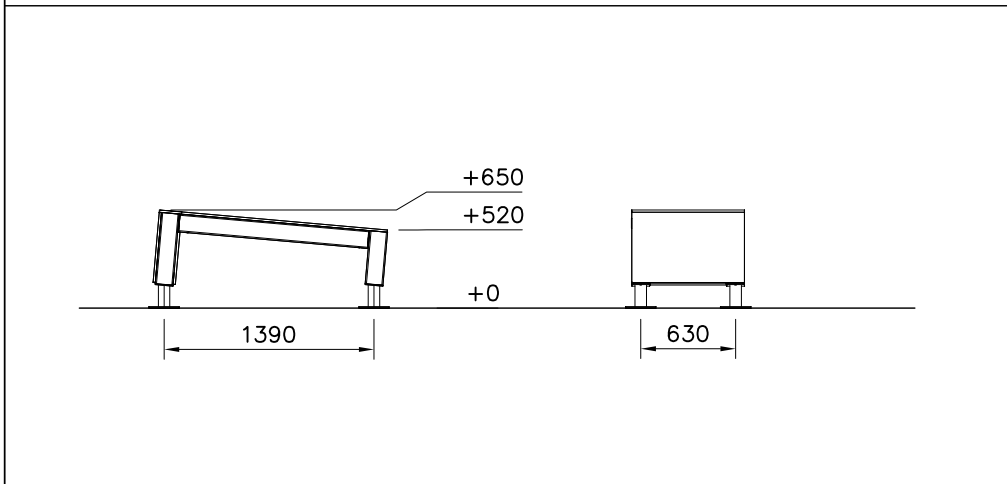



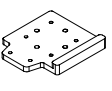
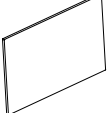

<p>DET 1</p> 	<p>DET 2</p>  <p>Ø8x70 900240 (USE DRILL JIG)</p>	<p>DET 3</p>  <p>Ø22 905112</p> <p>Ø8x90 903093</p> <p>PT-28/32-H 905103</p>
<p>DET 4</p>  <p>Ø5x60 980100 (USE DRILL JIG)</p> <p>Ø8x70 900240</p>	<p>DET 5</p>  <p>Ø7x60 980123</p>	 <p>Ø7x60 980123</p>
<p>JIG DET A (USE DET 2-4)</p> <p>NOTE: Use drill jig 708857 to predrill Ø5▽50 holes for 910266 and 908698</p> <p>708857</p> <p>910266</p> <p>908698</p> <p>Ø5▽50</p> 		

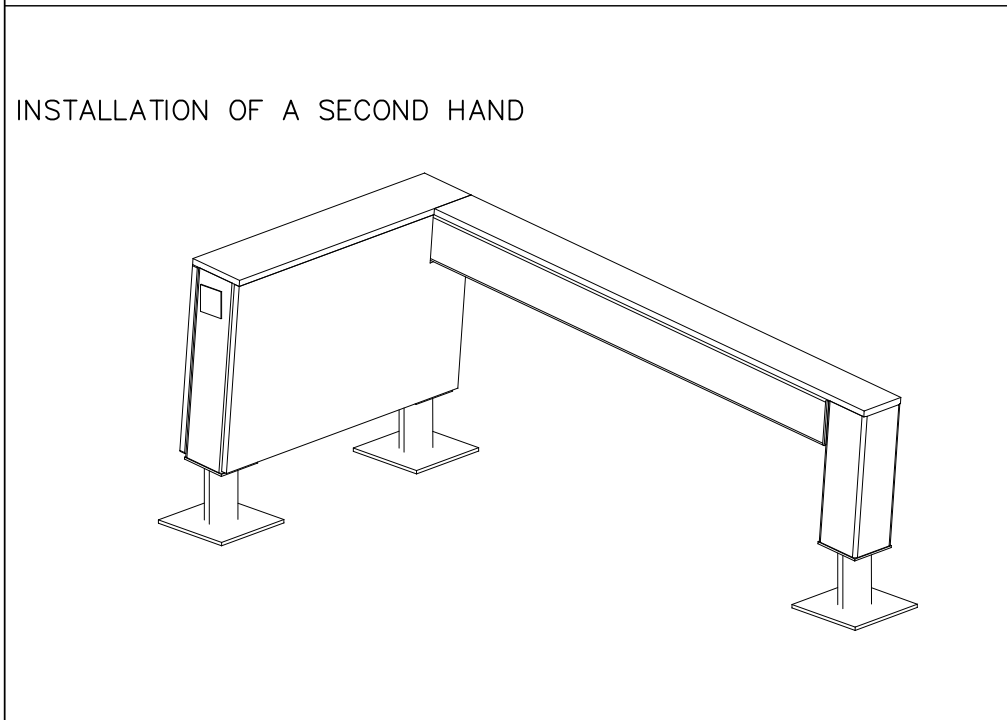



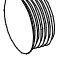

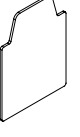
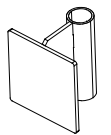
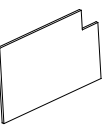





① 702286  65x65	PCS 1	② 707210  118x118x503	PCS 2
③ 707212  118x118x1254	PCS 1	④ 707889  118x118x472	PCS 2
⑤ 708443  118x118x352	PCS 1	⑥ 708733  15x148x745	PCS 1



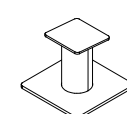

⑦ 708734  15x118x1365	PCS 1	⑧ 708857 JIG  20x133x149	PCS 1
⑨ 708731  15x466x745	PCS 1	⑩ 900240  Ø8x70	PCS 16



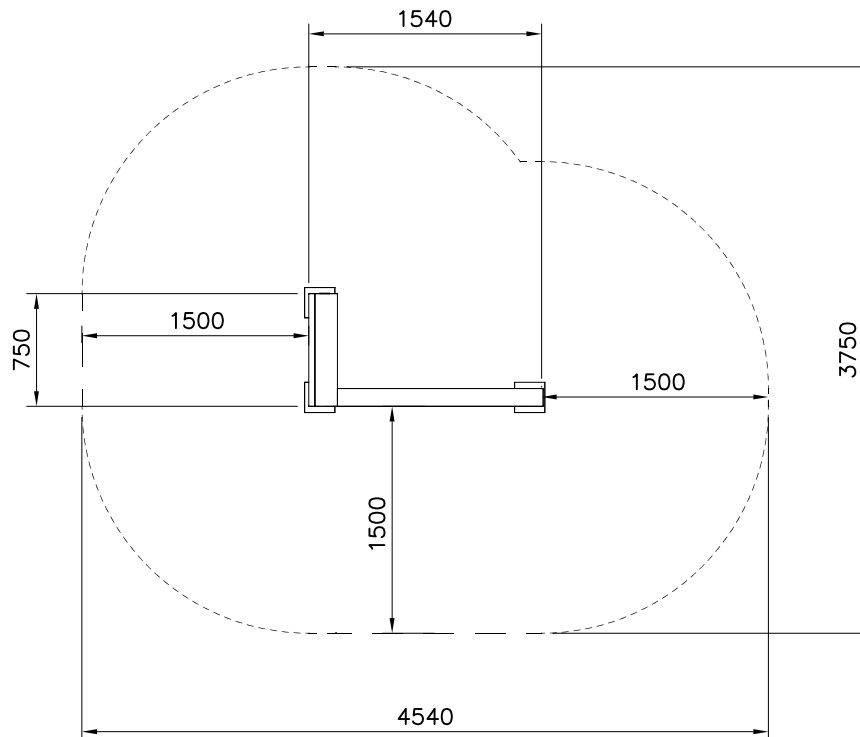
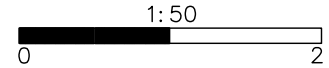
⑪ 903093  Ø8x90	PCS 4	⑫ 905103  PT-28/32-H	PCS 2
⑬ 905112  Ø22	PCS 4	⑭ 908698  3x114x108	PCS 4
⑮ 910266  90x108x118	PCS 2	⑯ 708732  15x466x745	PCS 1

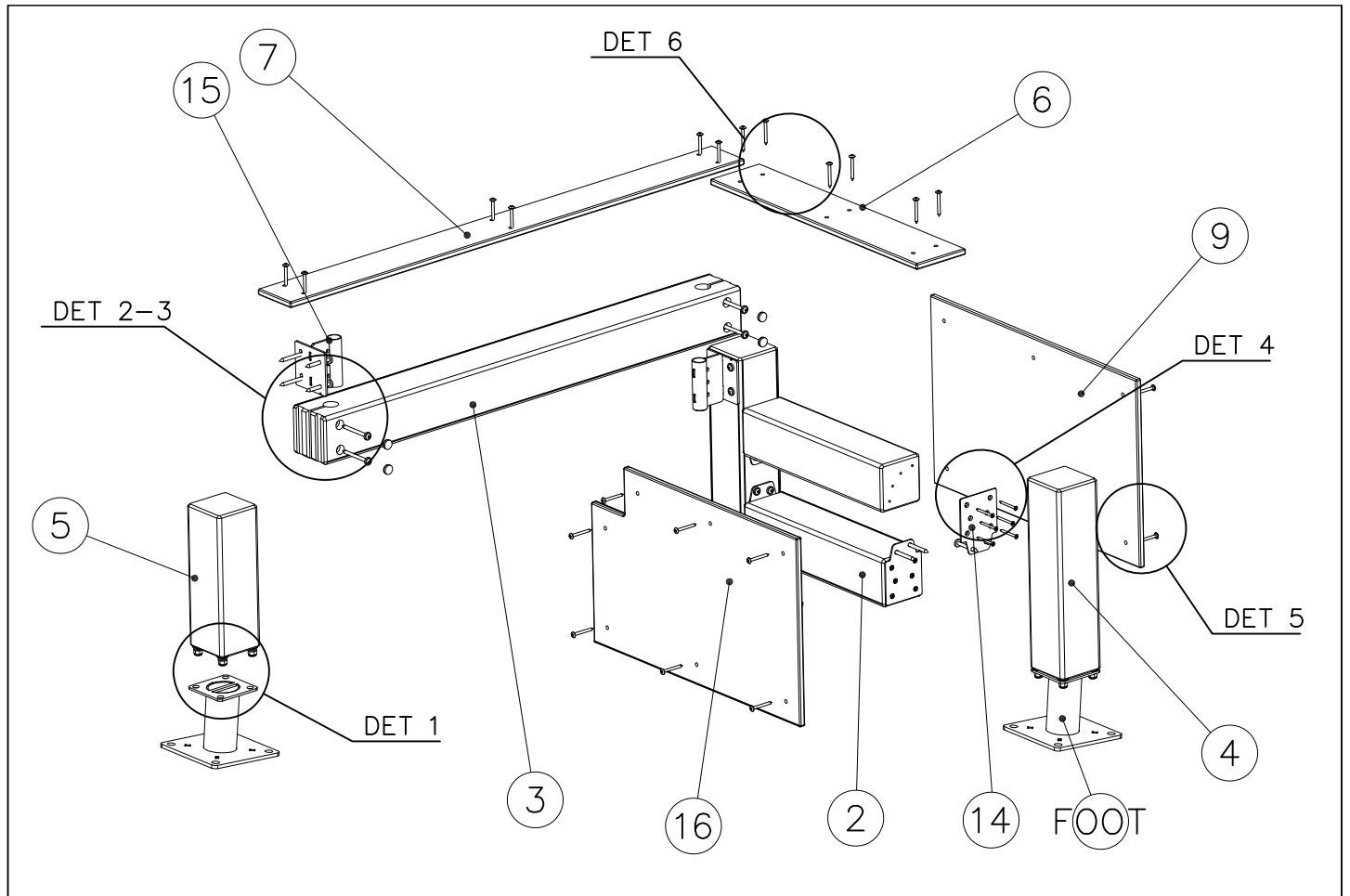
⑰ 980100	PCS	⑱ 980114	PCS	⑲ 980123	PCS
	28		4		25
Ø5x60		Ø4x20		Ø7x60	

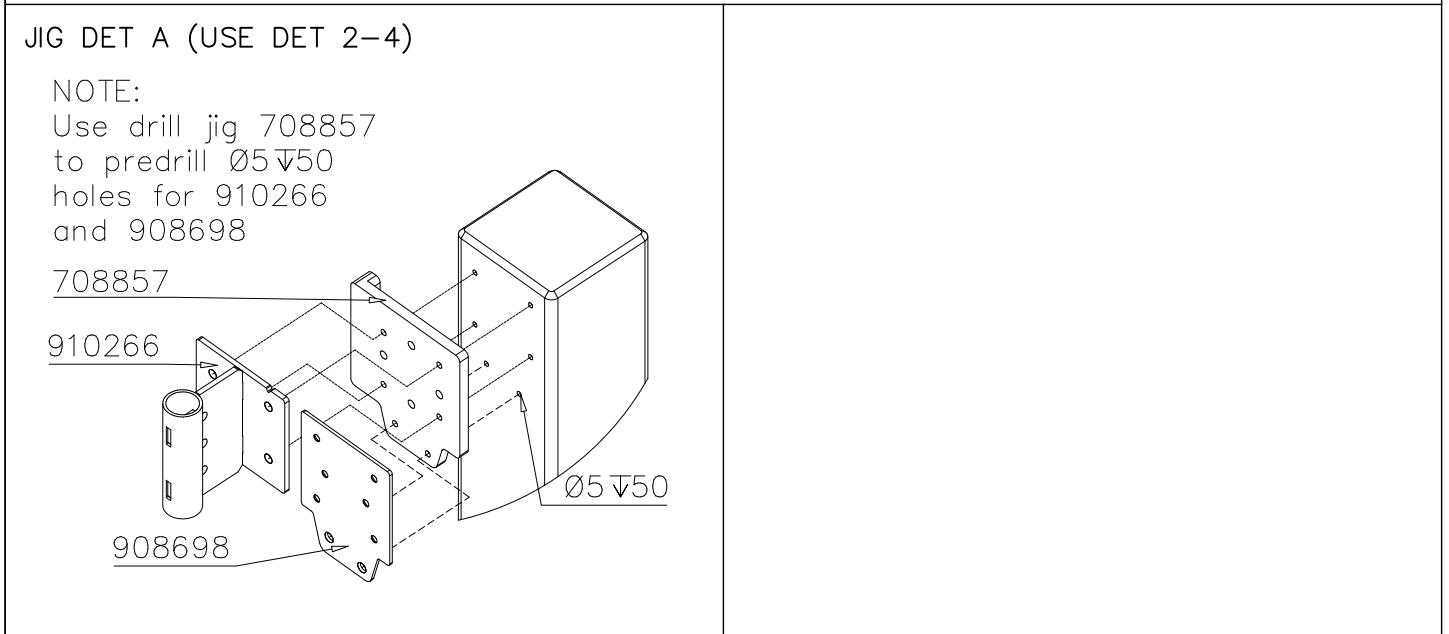
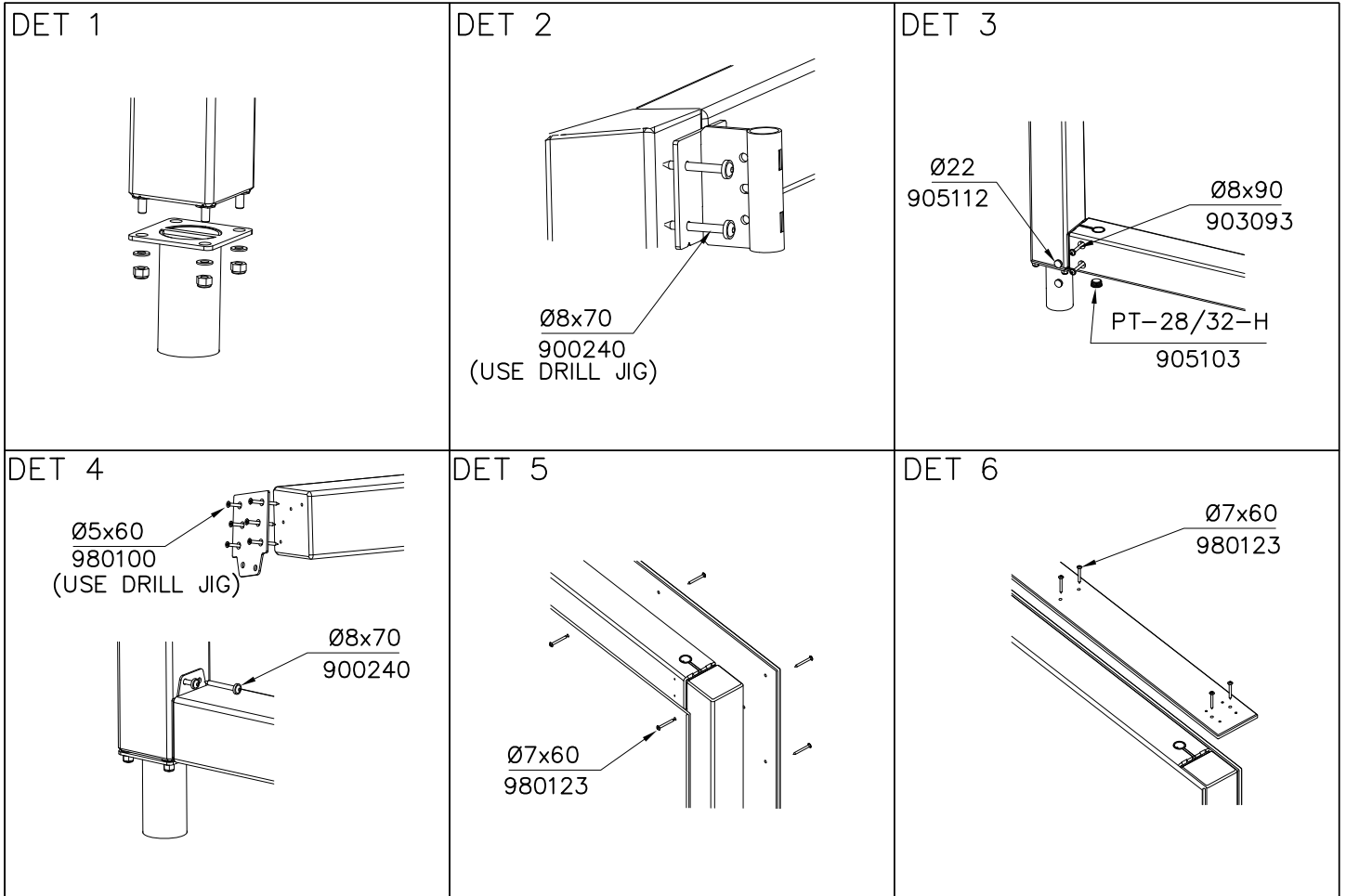
### FOOT OPTIONS

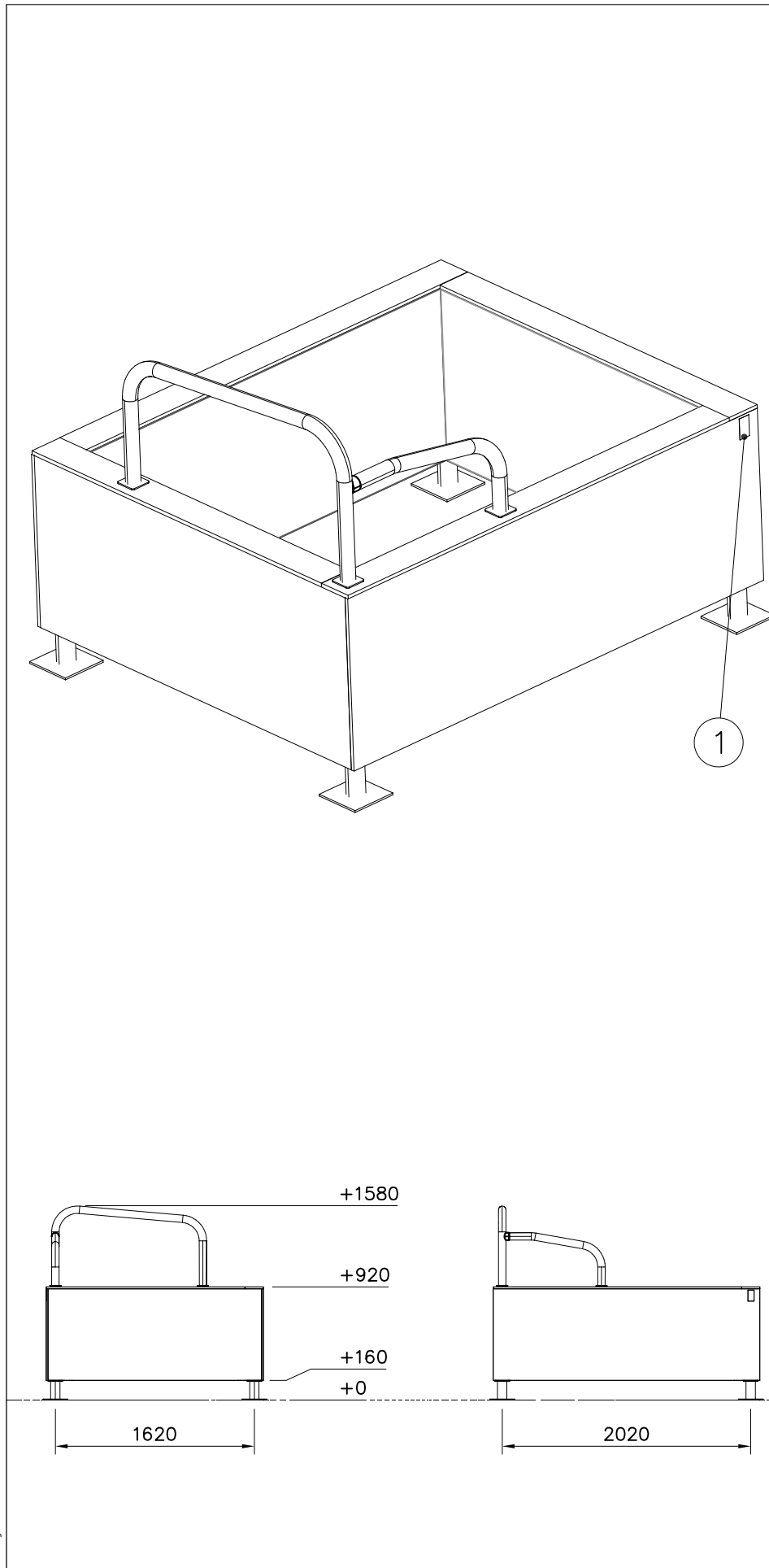
709261+		709262+	
○ 910267	PCS	○ 910567	PCS
SURFACE	3	CONCRETE	3
			
152x200x200		117x117x715	

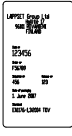
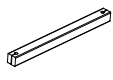
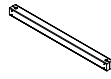

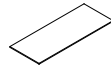
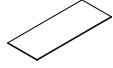
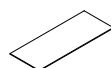
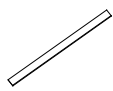

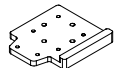





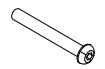
----- Falling Space 13.8 m<sup>2</sup>  
Max Falling Height 650 mm



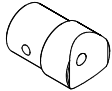




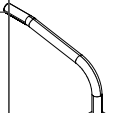
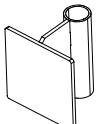


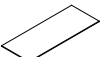




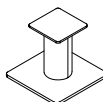
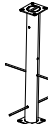




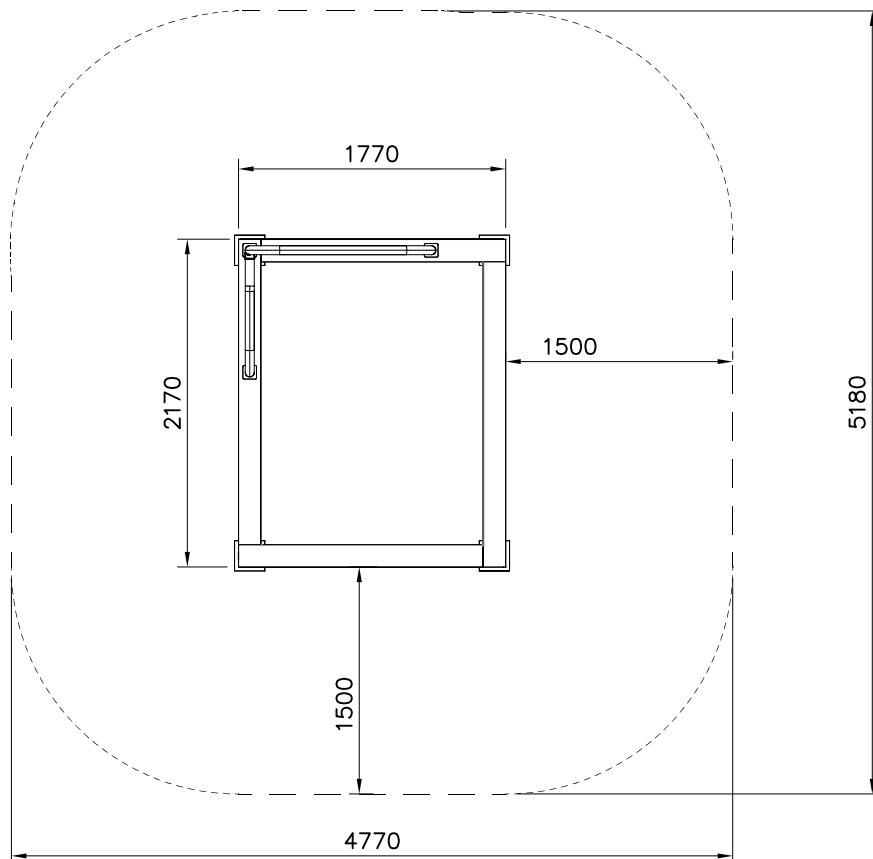
①	702341	PCS	②	707213	PCS
		1			4
	90x50			118x118x1490	
③	707517	PCS	④	708137	PCS
		4			4
	118x118x1892			118x118x745	
⑤	708836	PCS	⑥	708837	PCS
		2			2
	15x745x1736			15x745x2168	
⑦	708839	PCS	⑧	708840	PCS
		1			2
	15x745x1897			15x148x2018	
⑨	708841	PCS	⑩	708857 JIG	PCS
		2			1
	15x148x1616			20x133x149	
⑪	980154	PCS	⑫	900240	PCS
		1			64
	Ø24/13			Ø8x70	
⑬	900965	PCS	⑭	903093	PCS
		1			44
	M10			Ø8x90	
⑮	903533	PCS	⑯	904133	PCS
		4			1
	SRL12			M10x80	

⑰ 905103  PT-28/32-H PCS 16	⑱ 905112  Ø22 PCS 32	⑲ 908069  Ø60x87.6 PCS 1	⑳ 909111  M12x100 PCS 1	㉑ 909248  M12 PCS 1	㉒ 909638  Ø20/10.5 PCS 4
㉓ 910254  Ø60x650x1290 PCS 1	㉔ 910262  Ø60x435x795 PCS 1	㉕ 910266  90x108x118 PCS 16	㉖ 980123  Ø7x60 PCS 108	㉗ 911288 COLOR  15x745x1465 PCS 2	㉘ 911289 COLOR  15x745x1897 PCS 1

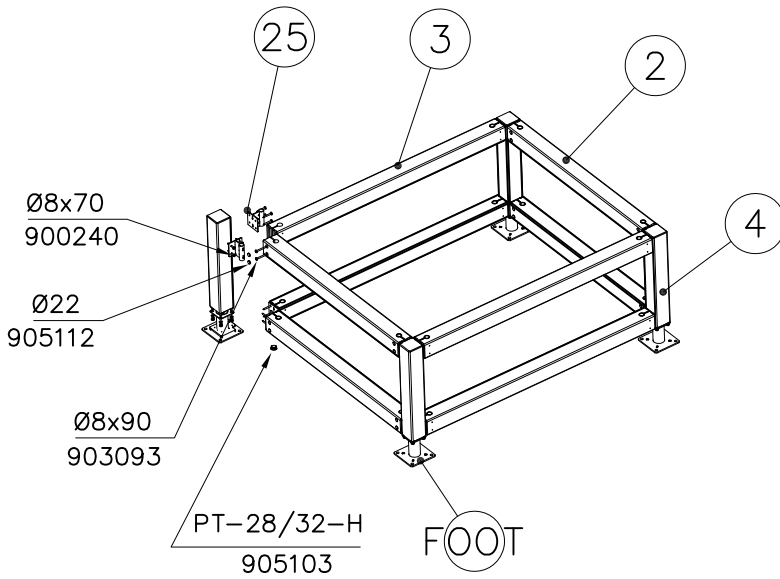
**FOOT OPTIONS**

709261+	709262+
① 910330 SURFACE  152x200x200 PCS 4	② 910567 CONCRETE  117x117x715 PCS 4

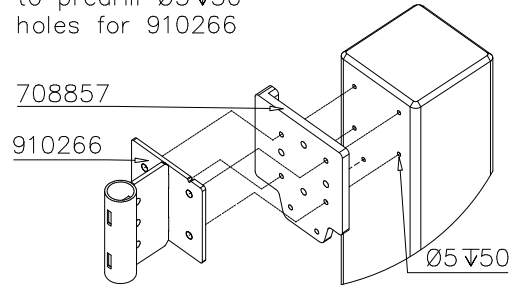
----- Falling Space 22.7 m2  
 Max Falling Height 1580 mm



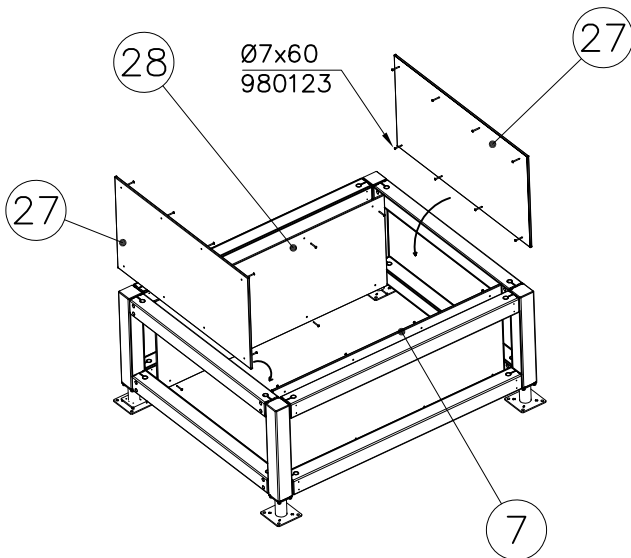
DET 1



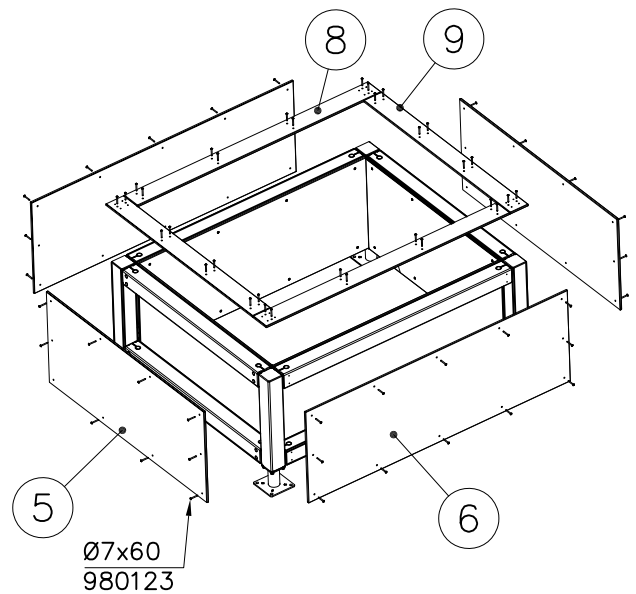
NOTE:  
Use drill jig 708857  
to predrill  $\varnothing 5 \nabla 50$   
holes for 910266



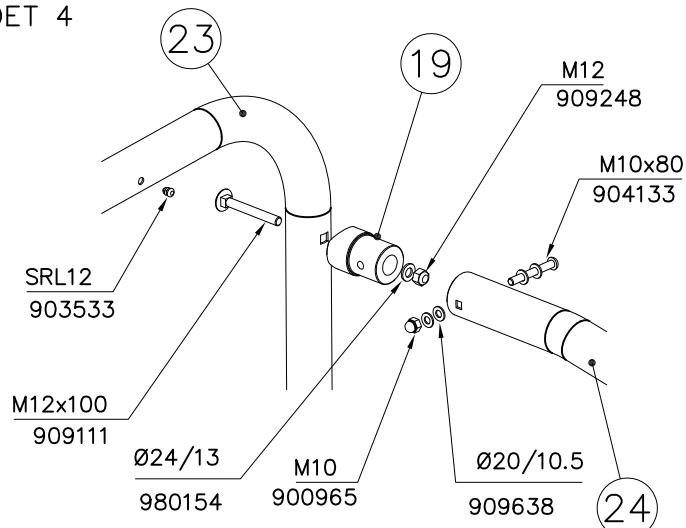
DET 2



DET 3



DET 4



DET 5

