

WINAM GROUP

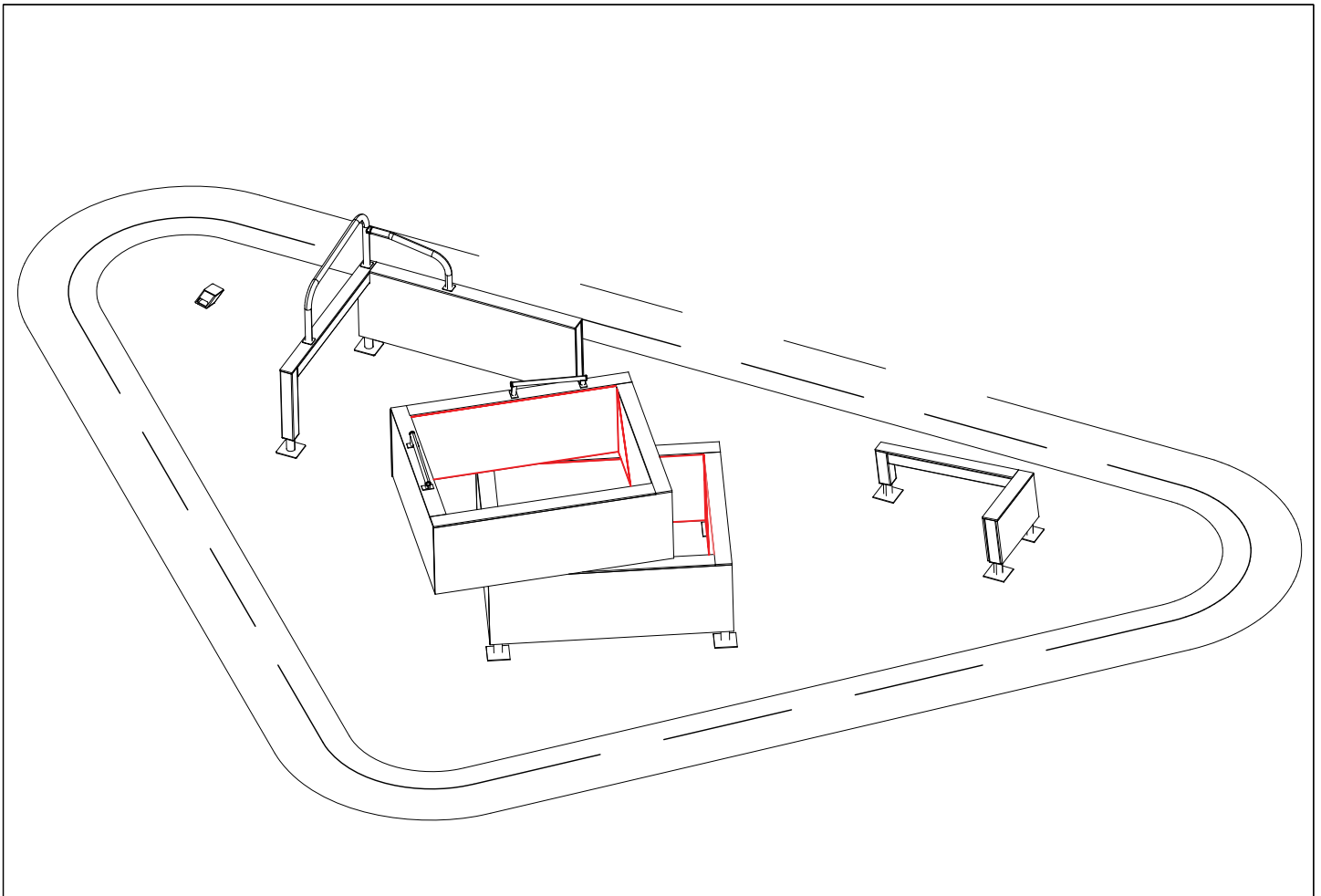
DASH PARKOUR



ASENNUSOHJE
MONTERINGSANSVISNING
INSTALLATION INSTRUCTION
AUFBAUANLEITUNG
NOTICE D'INSTALLATION

DATE: 12.12.2019

081763M



WINAM GROUP

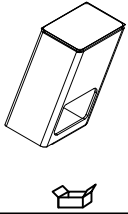
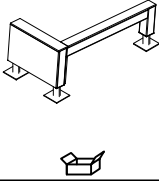
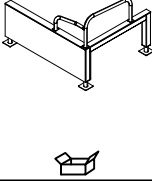
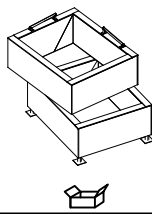
DASH PARKOUR

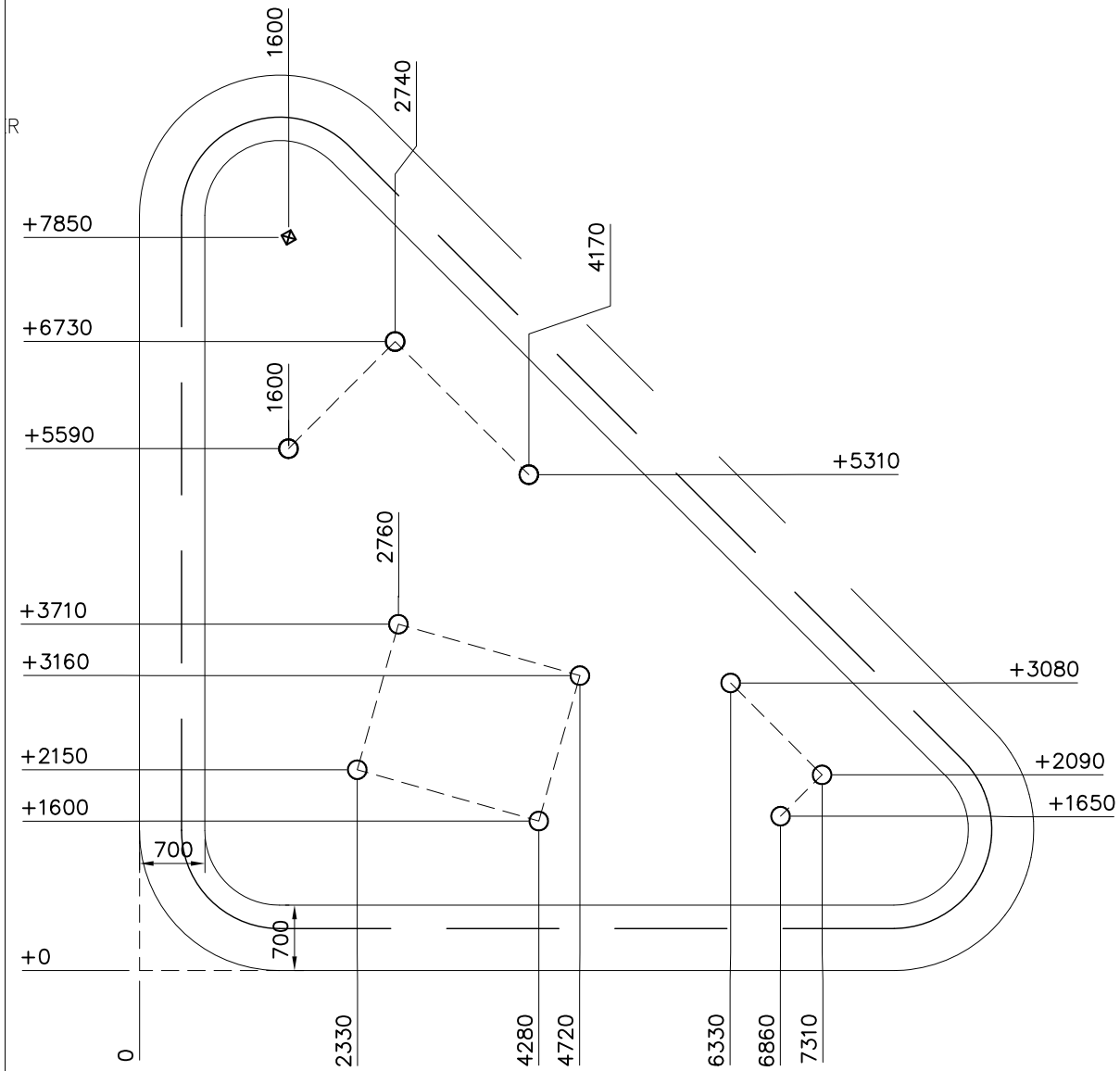
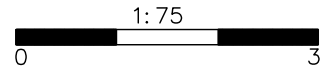
081763M

DATE: 12.12.2019



1(1)
3

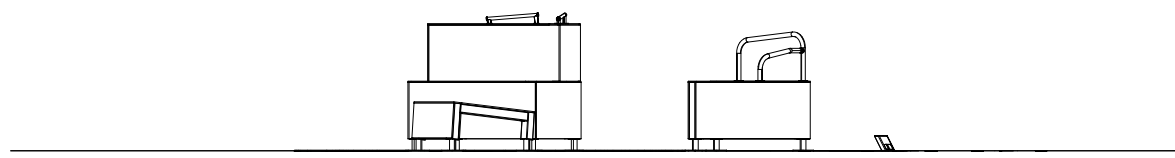
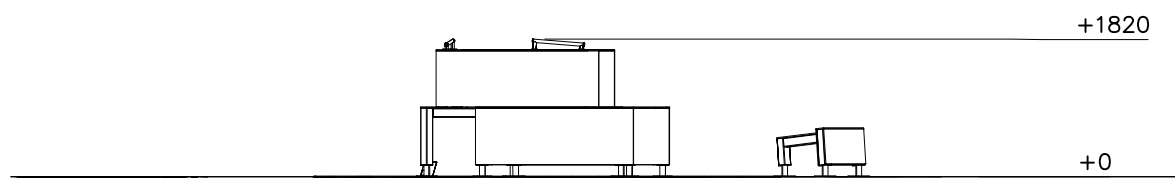
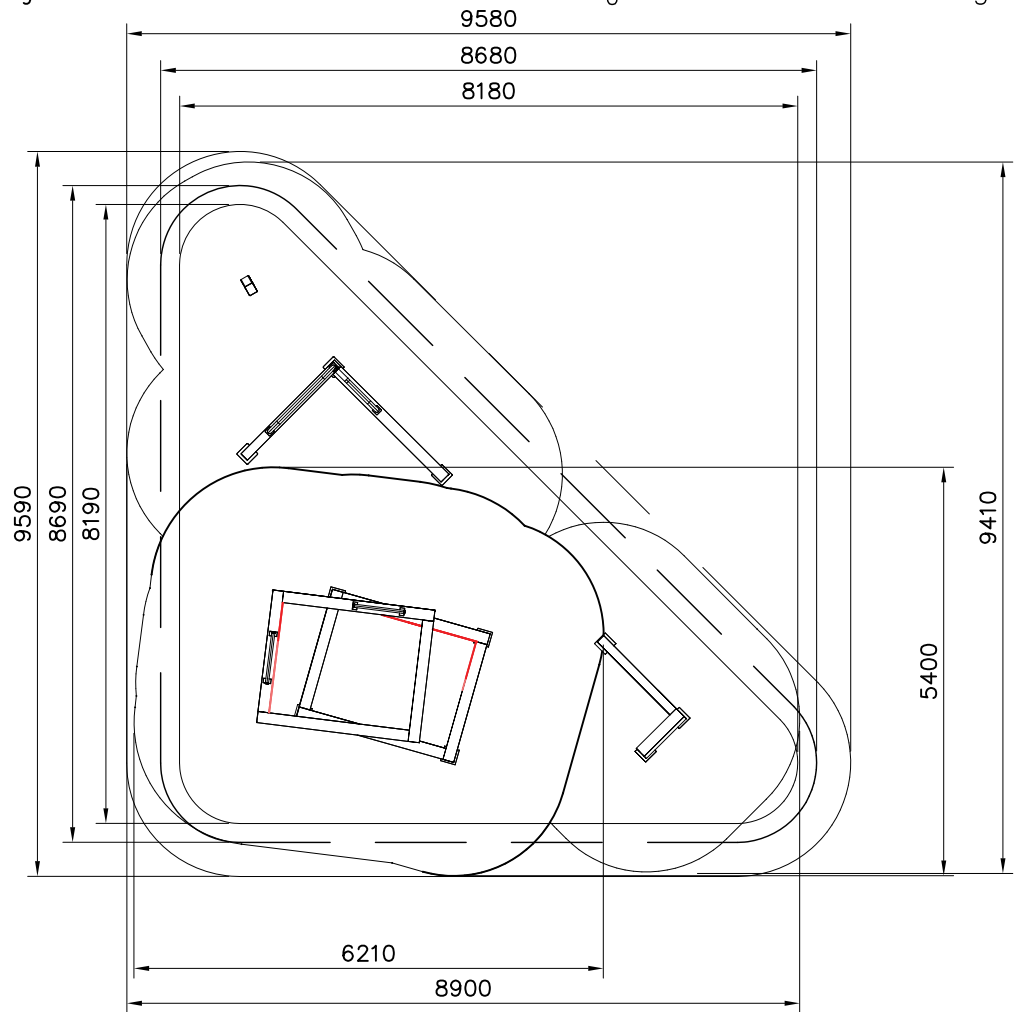
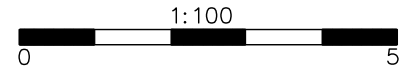
081700M 	PCS 1	081721M 	PCS 1	081727M 	PCS 1	081734M 	PCS 1		PCS		PCS
	PCS		PCS		PCS		PCS		PCS		PCS
	PCS		PCS		PCS		PCS		PCS		PCS
	PCS		PCS		PCS		PCS		PCS		PCS
	PCS		PCS		PCS		PCS		PCS		PCS
	PCS		PCS		PCS		PCS		PCS		PCS
	PCS		PCS		PCS		PCS		PCS		PCS

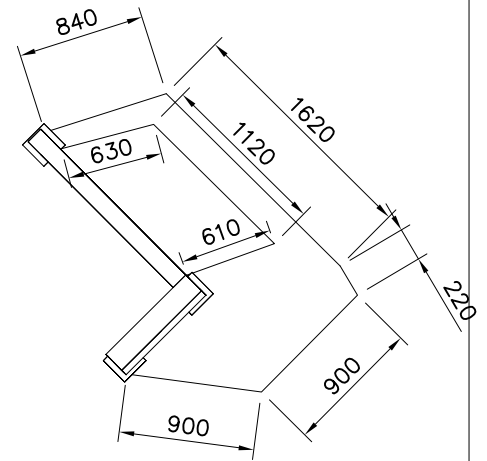
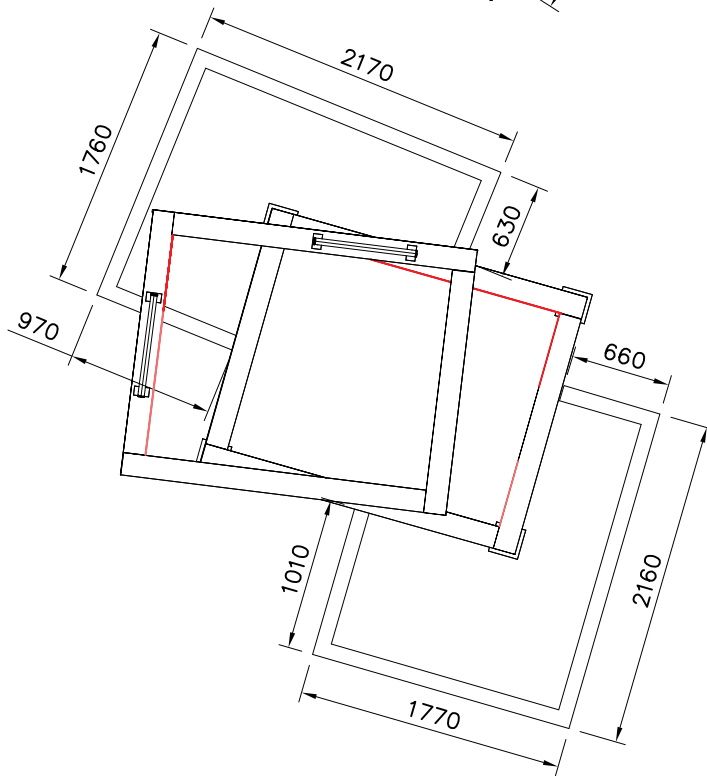
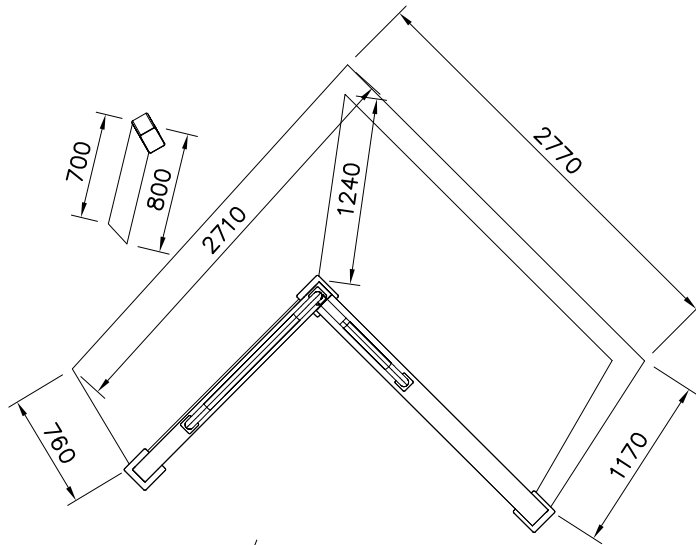
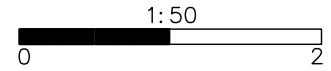


DASH PARKOUR

DATE: 12.12.2019

- EN Impact Attenuating Surface (IAS) 27.3 m²
- Falling Space 55.2 m²
- Max Falling Height 1820 mm

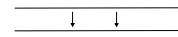




DASH PARKOUR

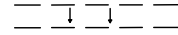
DATE: 12.12.2019

PRIMARY RULE:



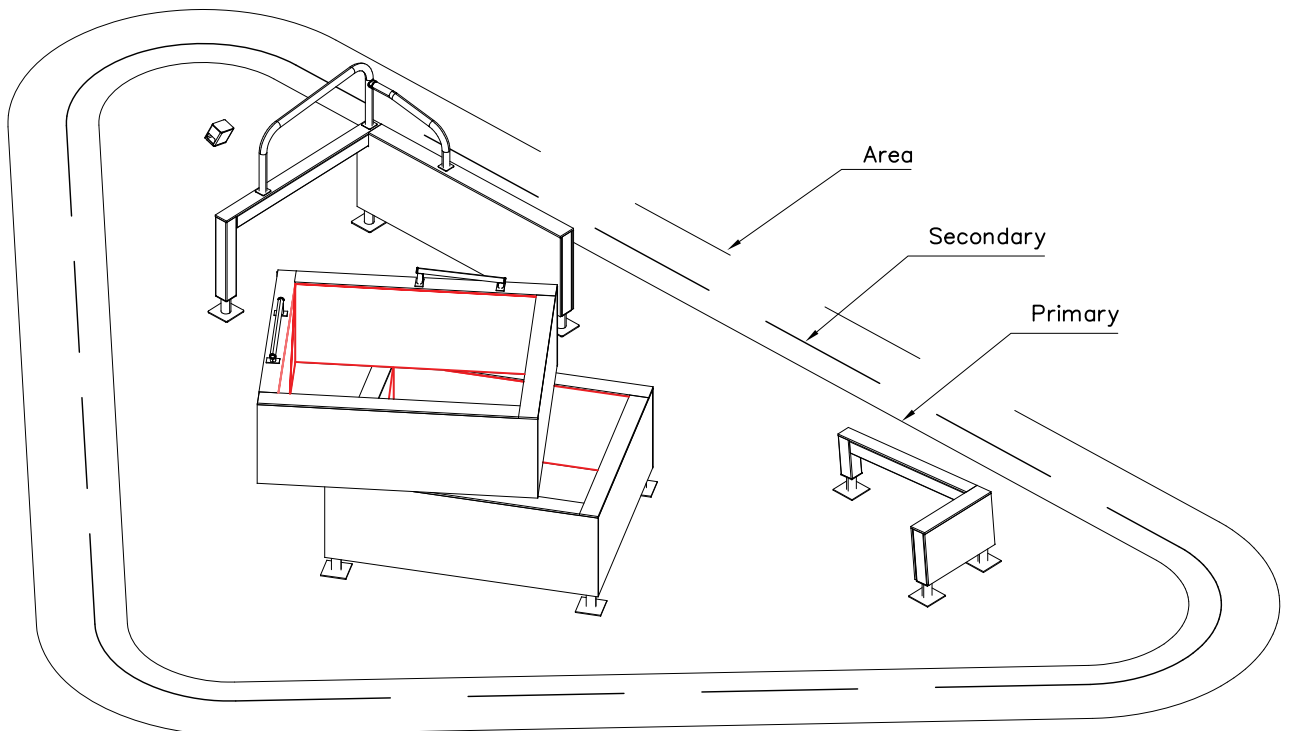
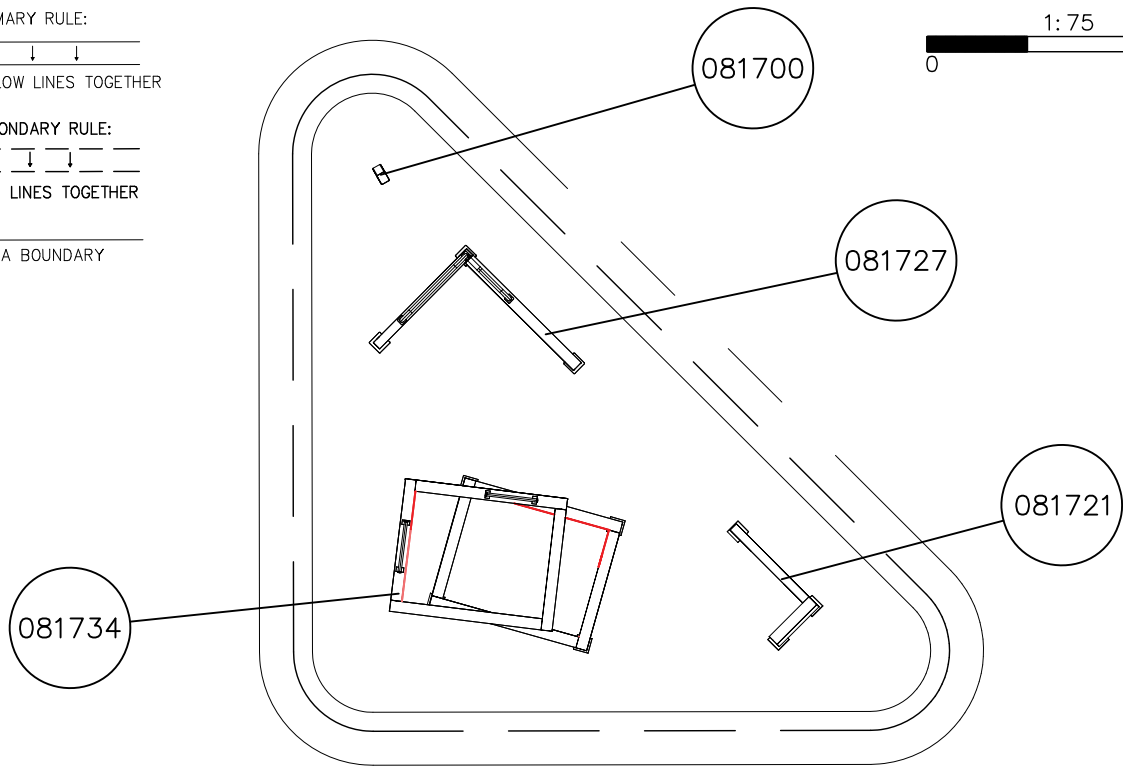
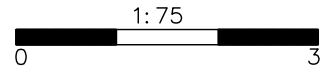
YELLOW LINES TOGETHER

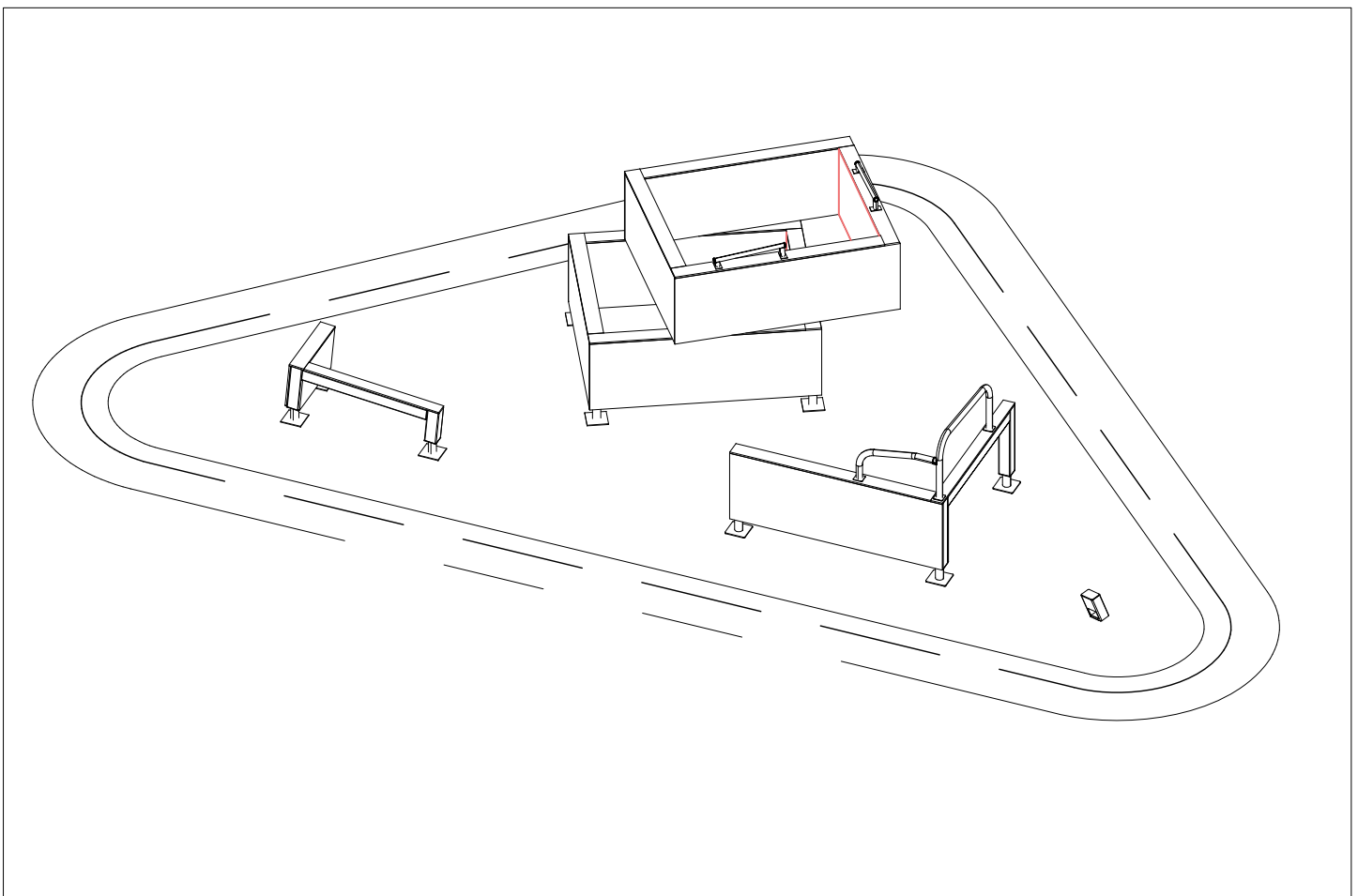
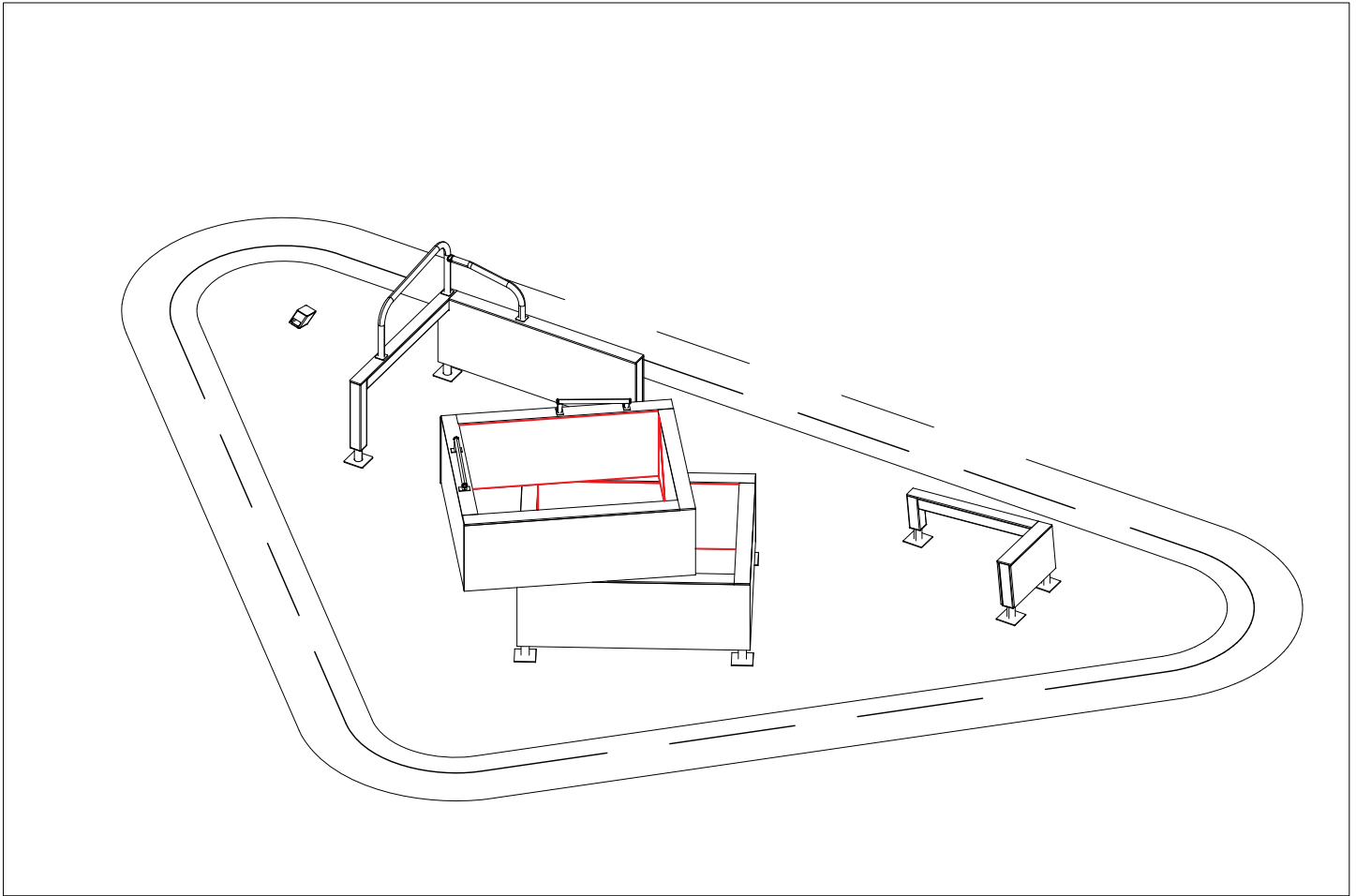
SECONDARY RULE:

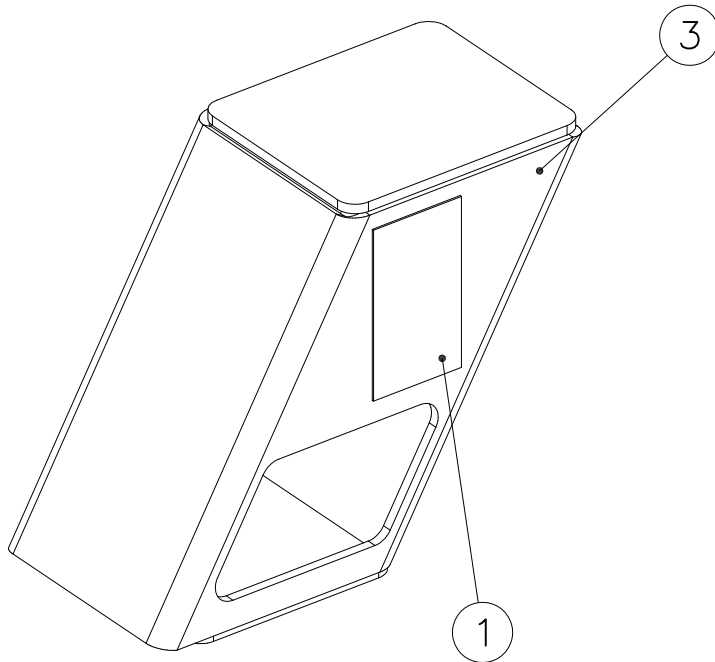


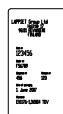

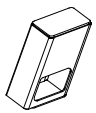
RED LINES TOGETHER

AREA BOUNDARY






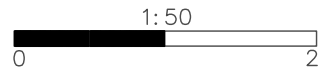


① 702341	PCS	② 709381	PCS
	1		2
90x50		SURFACE	
		③ 910219	PCS
			1
		120x120x200	

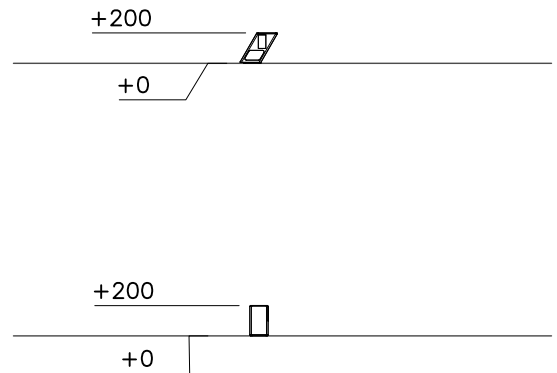
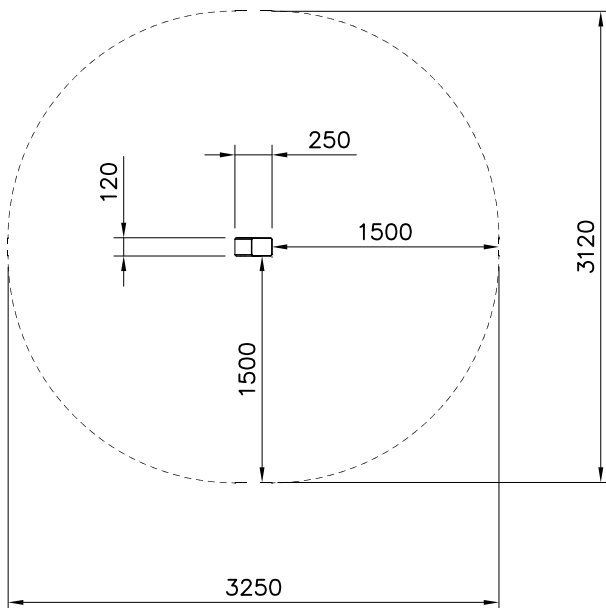
FOOT OPTION FOR DEEP MOUNTING

709379+

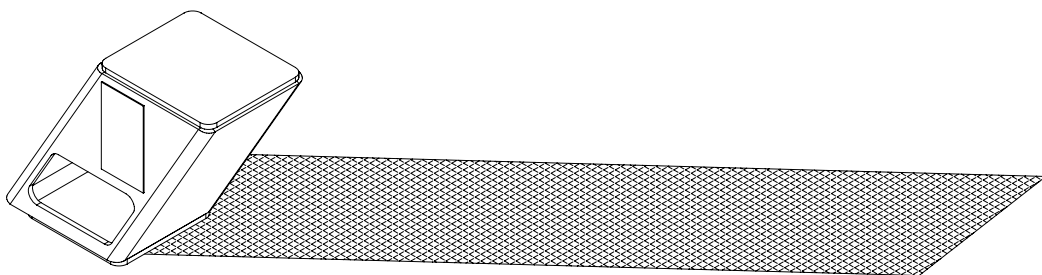
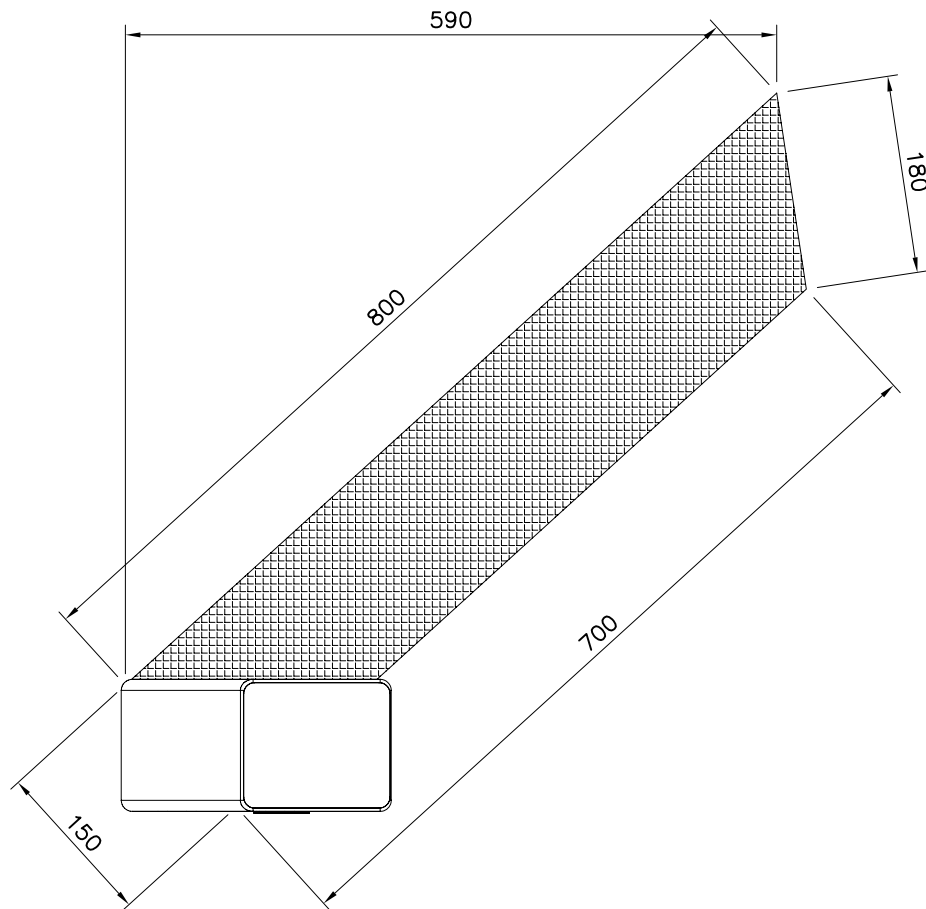
○ 902564	PCS
	1
L 550	

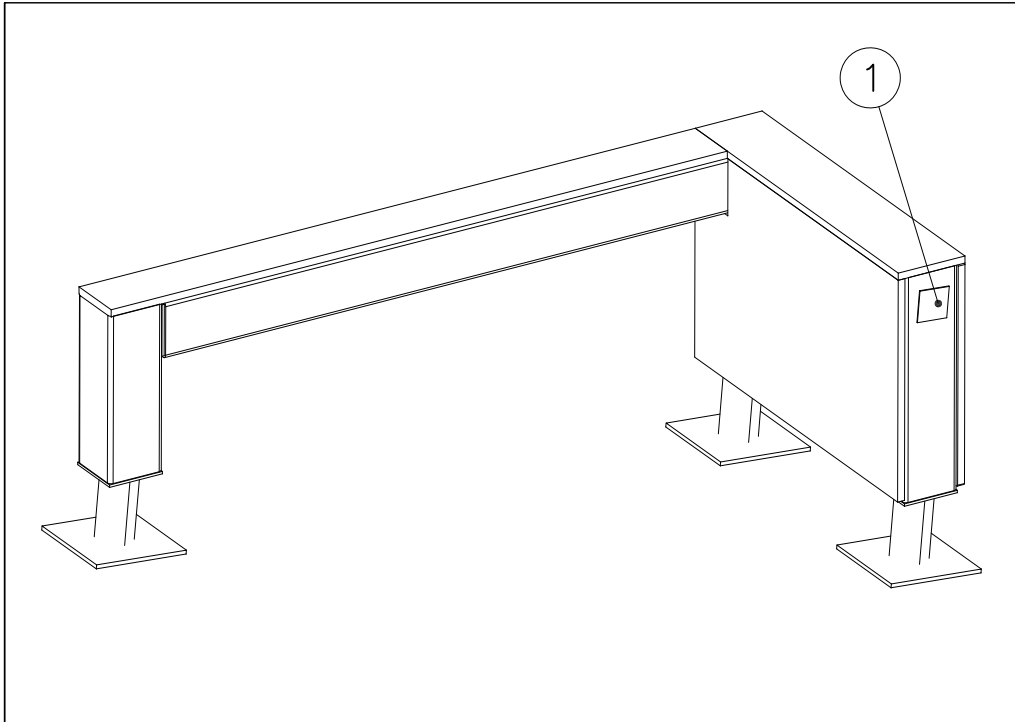



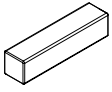

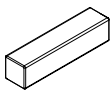
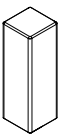
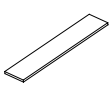
----- Falling Space 8.2 m2
Max Falling Height 200 mm

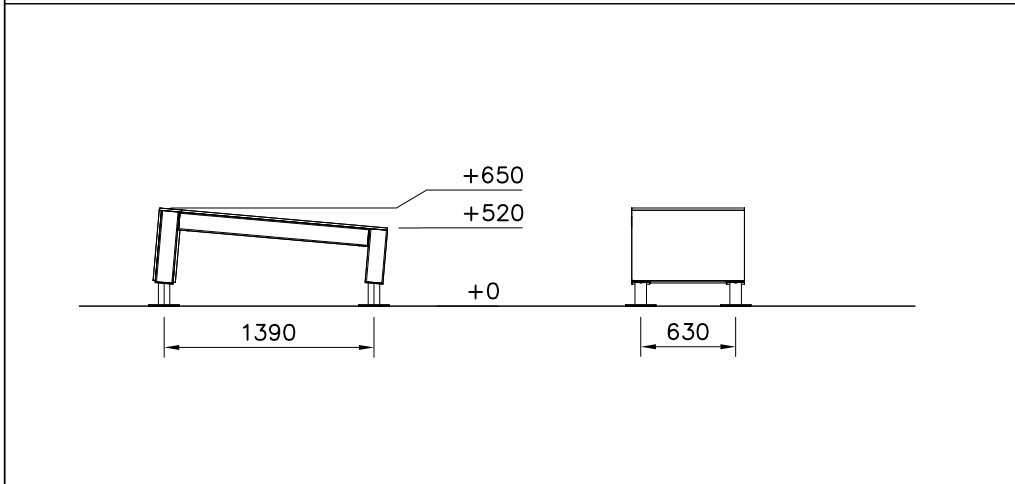



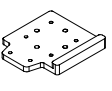
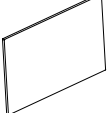

Shadow lines



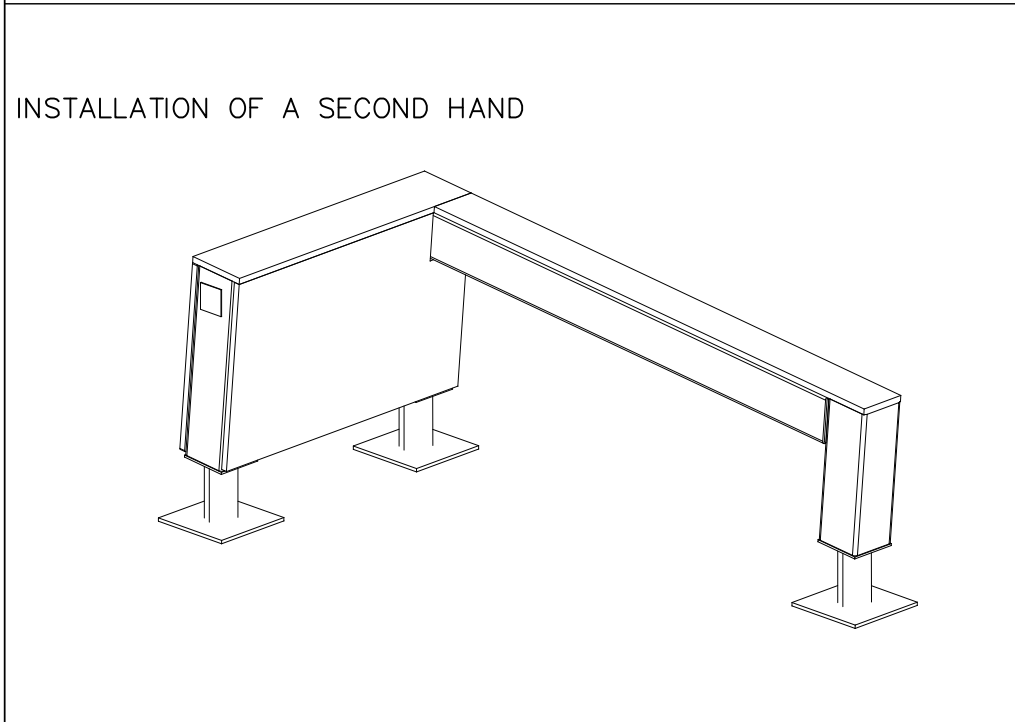



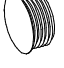

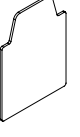
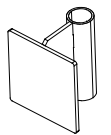
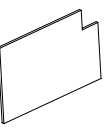
① 702286  65x65	PCS 1	② 707210  118x118x503	PCS 2
③ 707212  118x118x1254	PCS 1	④ 707889  118x118x472	PCS 2
⑤ 708443  118x118x352	PCS 1	⑥ 708733  15x148x745	PCS 1






⑦ 708734  15x118x1365	PCS 1	⑧ 708857 JIG  20x133x149	PCS 1
⑨ 708731  15x466x745	PCS 1	⑩ 900240  Ø8x70	PCS 16

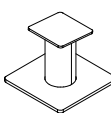

INSTALLATION OF A SECOND HAND



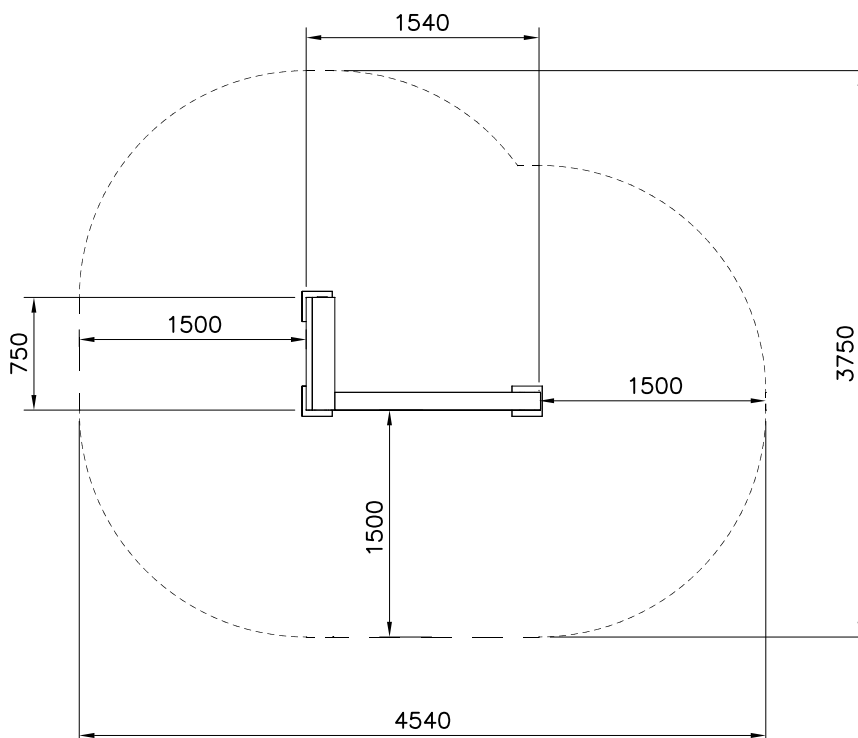
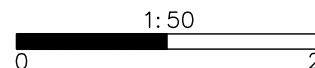
⑪ 903093  Ø8x90	PCS 4	⑫ 905103  PT-28/32-H	PCS 2
⑬ 905112  Ø22	PCS 4	⑭ 908698  3x114x108	PCS 4
⑮ 910266  90x108x118	PCS 2	⑯ 708732  15x466x745	PCS 1

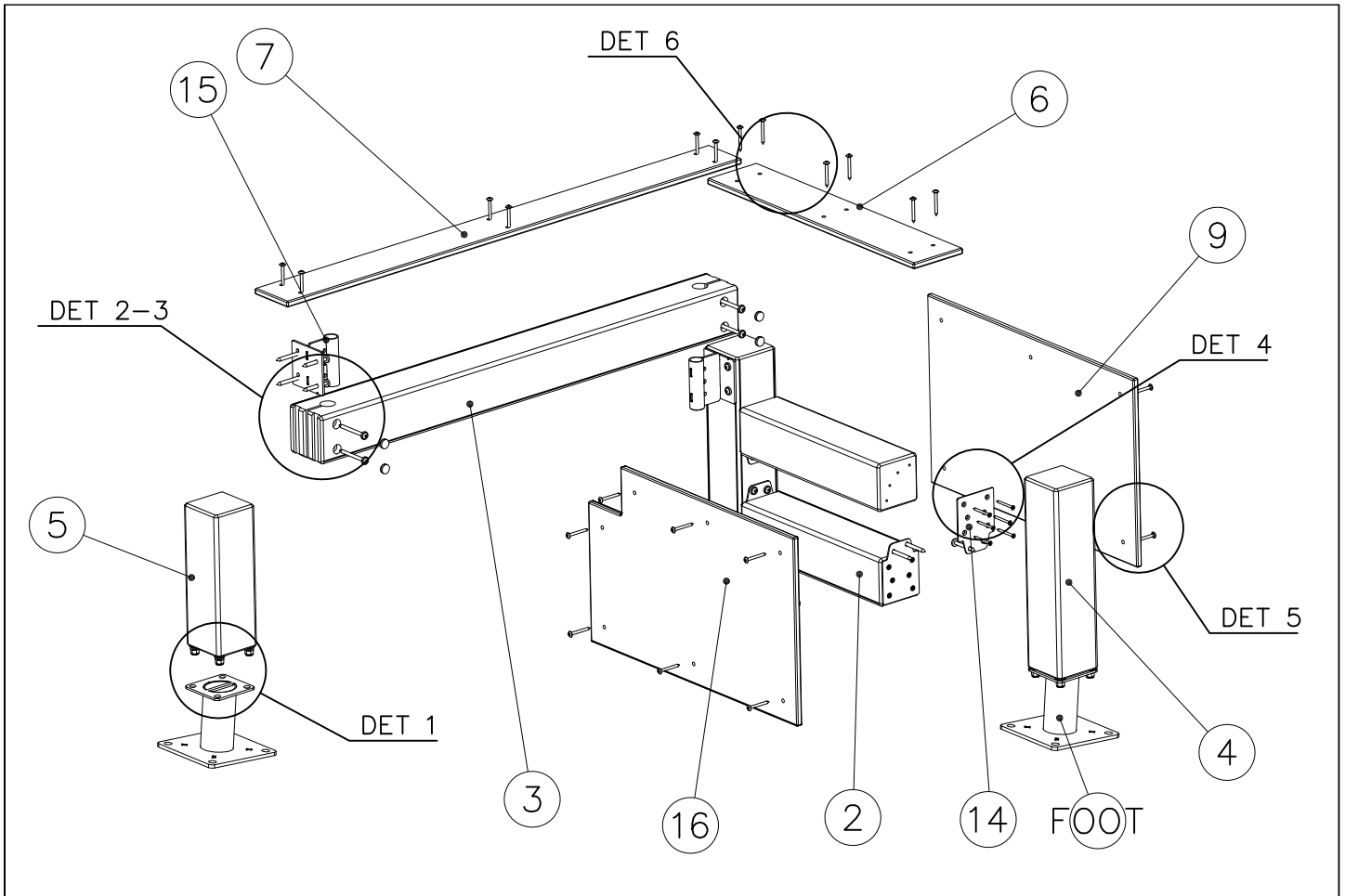
⑰ 980100	PCS	⑱ 980114	PCS	⑲ 980123	PCS
	28		4		25
Ø5x60		Ø4x20		Ø7x60	

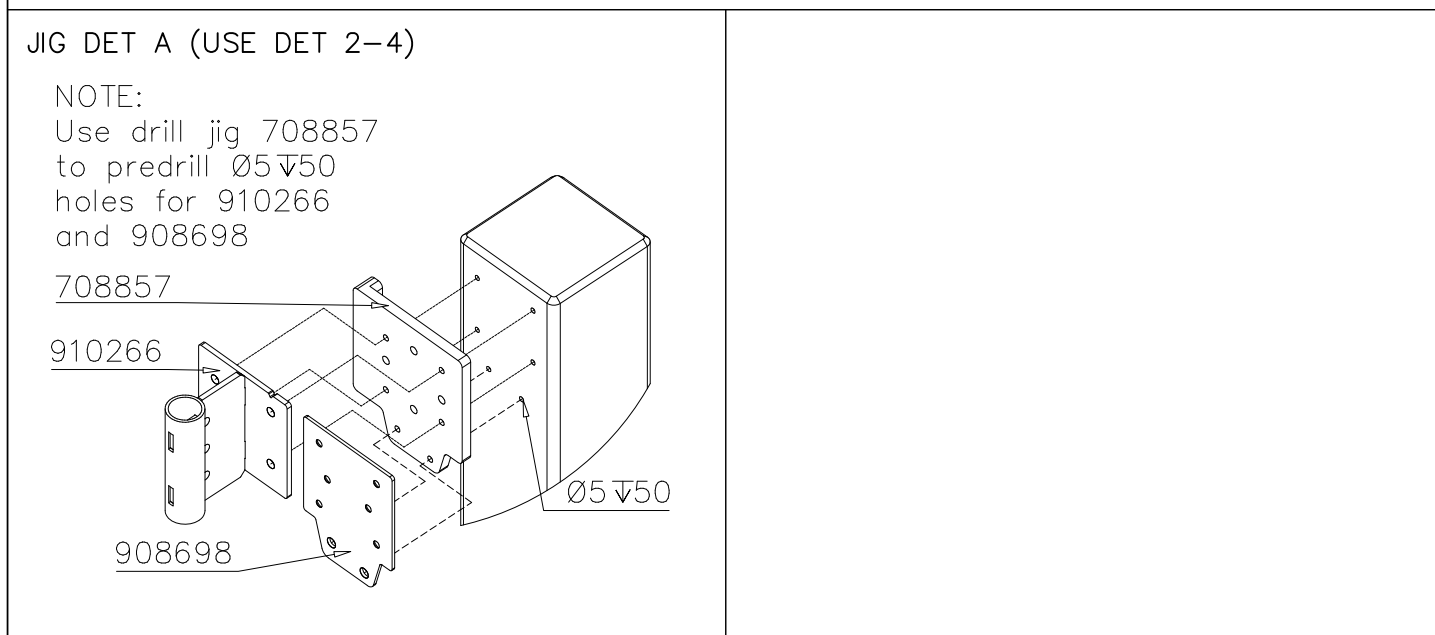
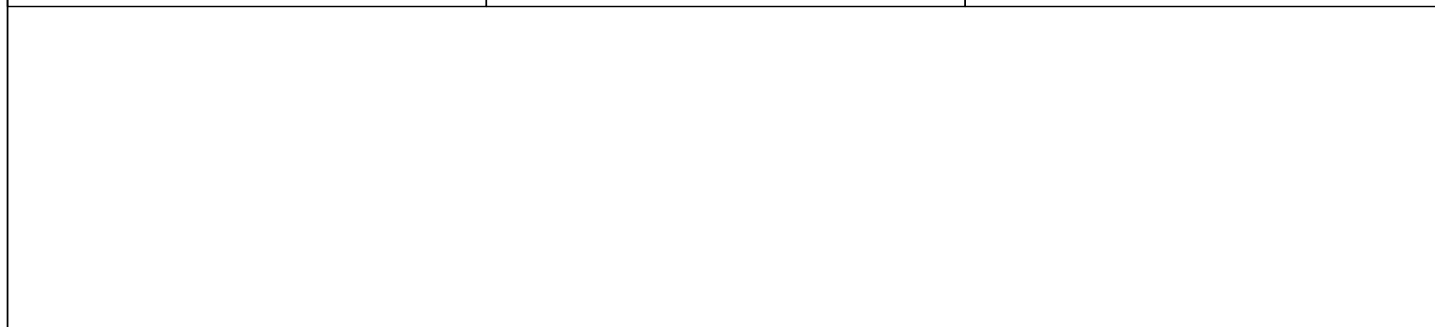
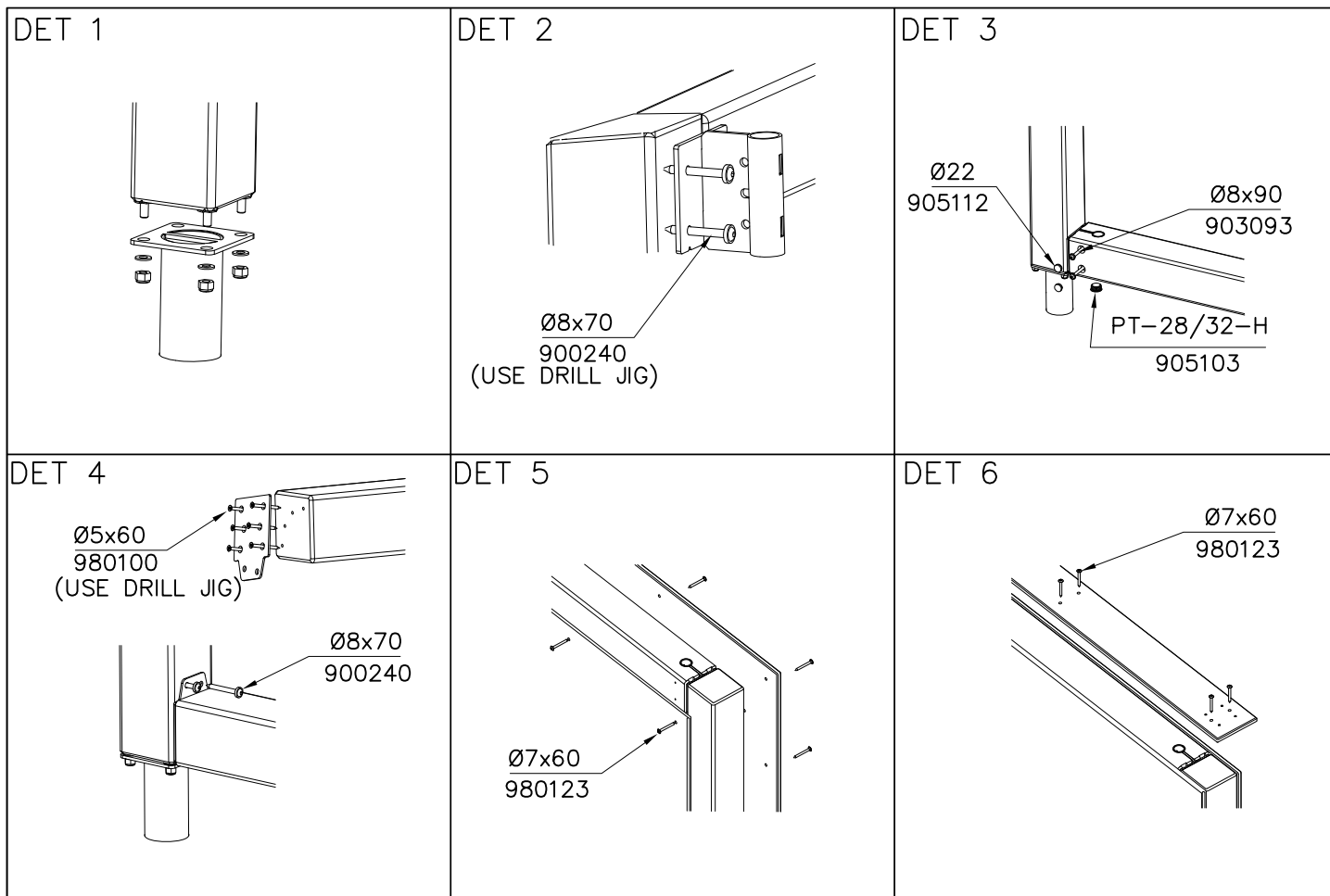
FOOT OPTIONS

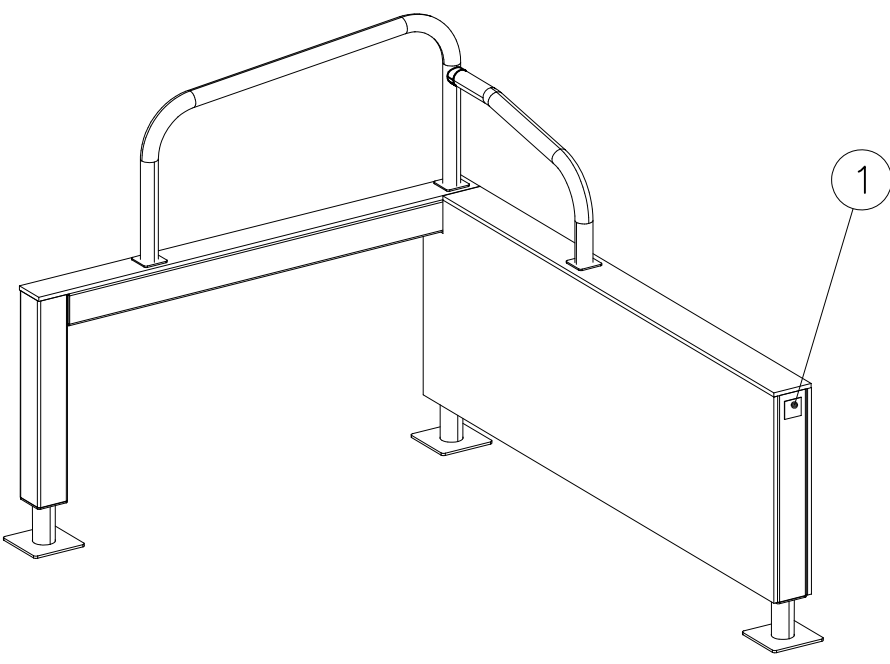
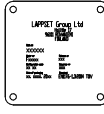

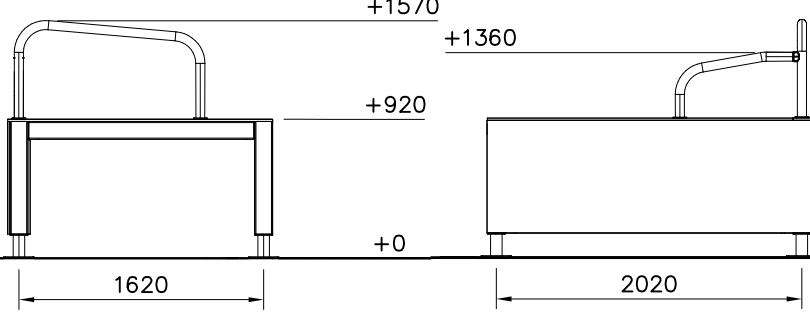
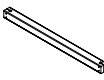
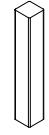
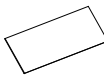

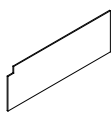

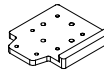

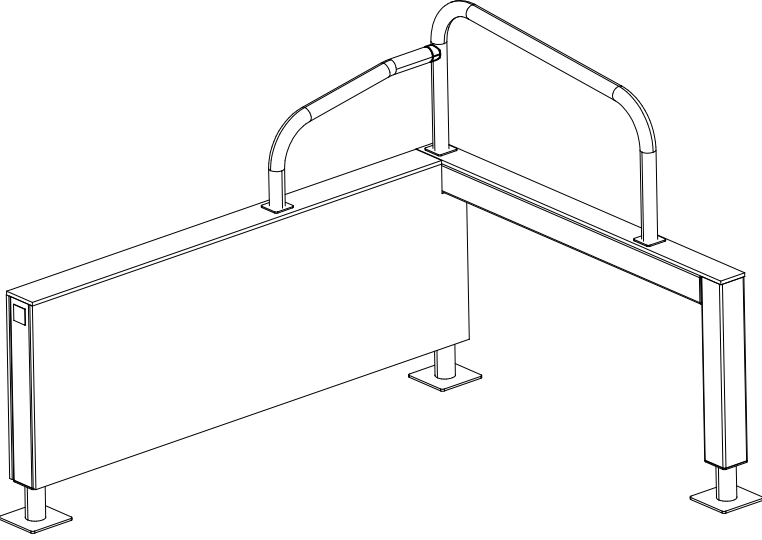




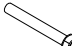

709261+		709262+	
○ 910267	PCS	○ 910567	PCS
SURFACE	3	CONCRETE	3
			
152x200x200		117x117x715	


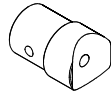
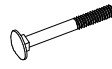


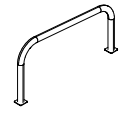

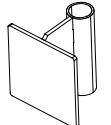


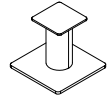
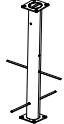
----- Falling Space 13.8 m²
Max Falling Height 650 mm



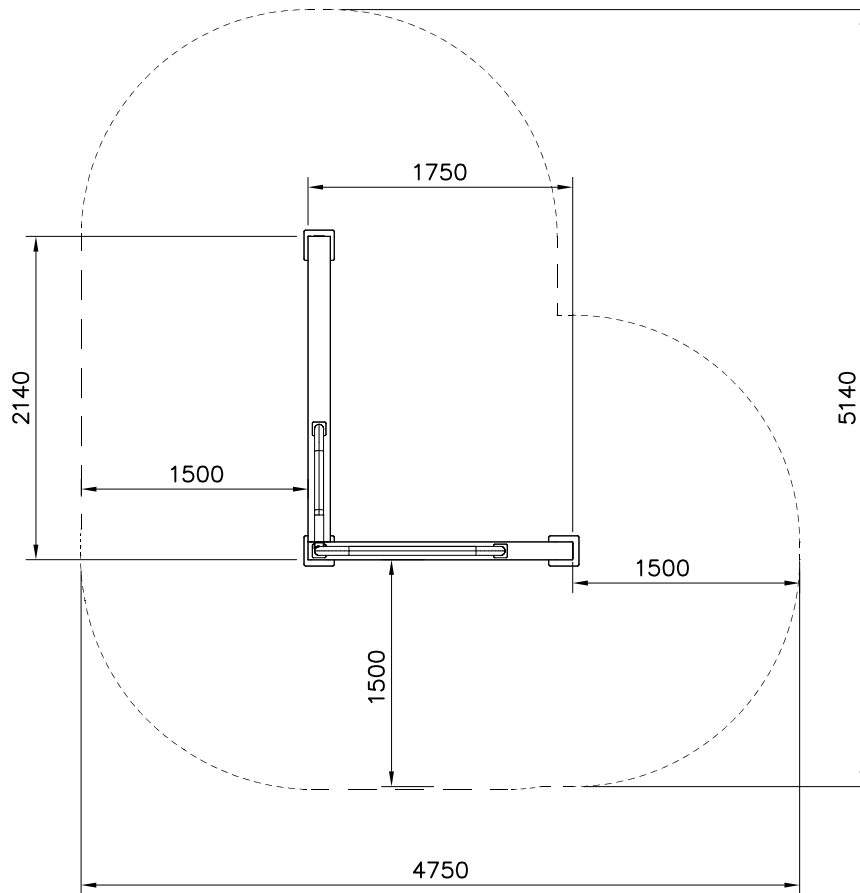
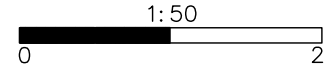


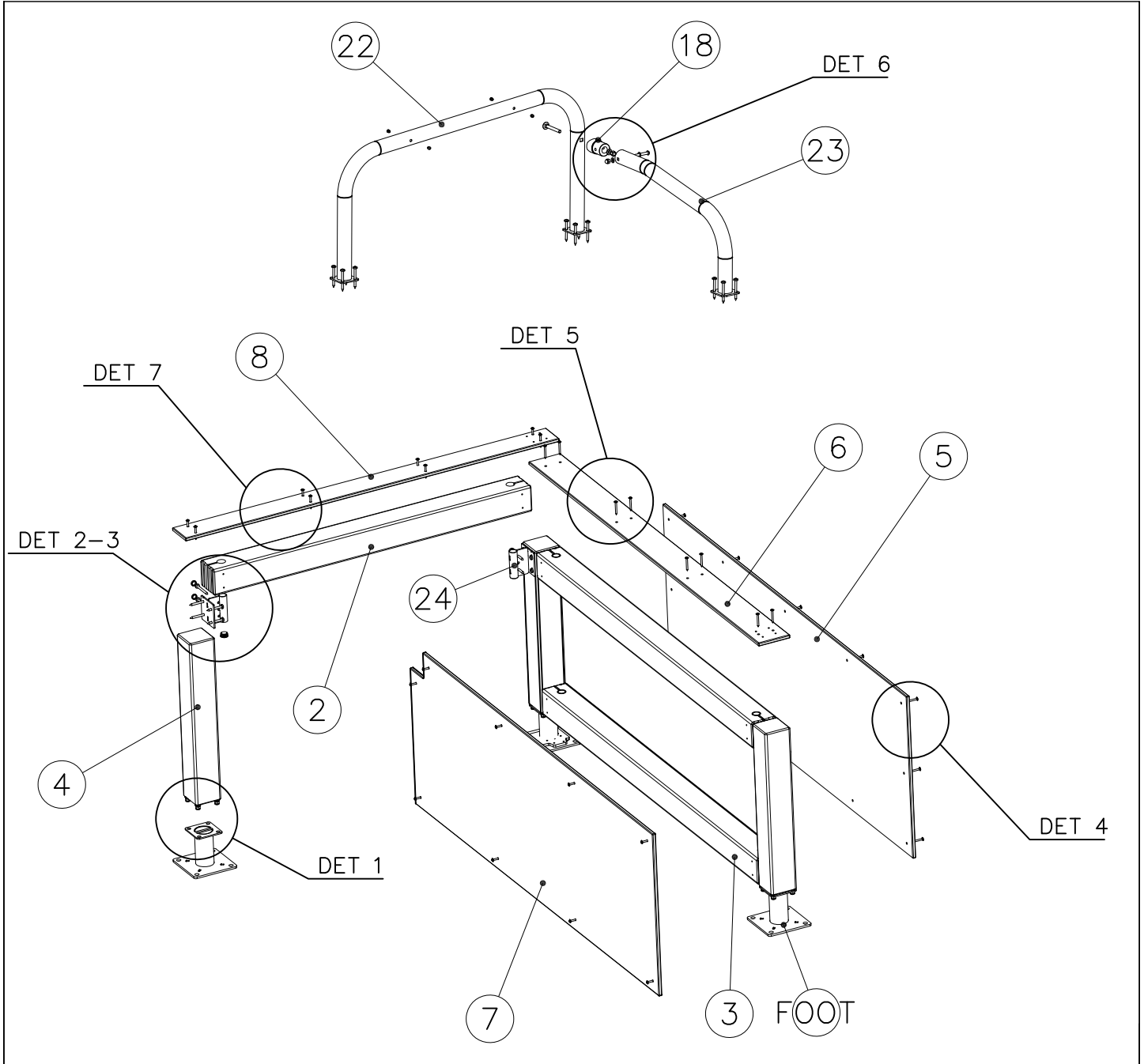


	<p>① 702286 PCS 1</p>  <p>65x65</p>	<p>② 707213 PCS 1</p>  <p>118x118x1490</p>
	<p>③ 707517 PCS 2</p>  <p>118x118x1892</p>	<p>④ 708137 PCS 3</p>  <p>118x118x745</p>
	<p>⑤ 708715 PCS 1</p>  <p>15x745x2140</p>	<p>⑥ 708840 PCS 1</p>  <p>15x148x2018</p>
	<p>⑦ 708845 PCS 1</p>  <p>15x745x2138</p>	<p>⑧ 708846 PCS 1</p>  <p>15x118x1751</p>
<p>INSTALLATION OF A SECOND HAND</p>	<p>⑨ 708857 PCS 1</p>  <p>20x133x149</p>	<p>⑩ 980154 PCS 1</p>  <p>Ø24/13</p>
	<p>⑪ 900240 PCS 24</p>  <p>Ø8x70</p>	<p>⑫ 900965 PCS 1</p>  <p>M10</p>
	<p>⑬ 903093 PCS 24</p>  <p>Ø8x90</p>	<p>⑭ 903533 PCS 4</p>  <p>SRL12</p>
	<p>⑮ 904133 PCS 1</p>  <p>M10x80</p>	<p>⑯ 905103 PCS 6</p>  <p>PT-28/32-H</p>

17 905112  Ø22	PCS 12	18 908069  Ø60x87.6	PCS 1	19 909111  M12x100	PCS 1	20 909248  M12	PCS 1	21 909638  Ø20/10.5	PCS 4	22 910254  Ø60x650x1290	PCS 1
23 910262  Ø60x435x795	PCS 1	24 910266  90x108x118	PCS 6	25 980123  Ø7x60	PCS 37	26 980114  Ø4x20	PCS 4	FOOT OPTIONS 709261+ 709262+			
		910330 SURFACE  152x200x200		PCS 3			910567 CONCRETE  117x117x715		PCS 3		

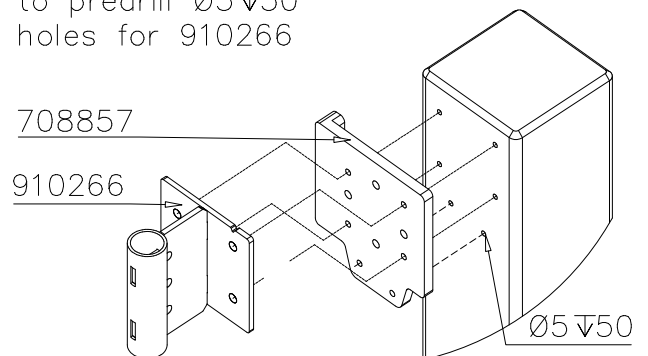
----- Falling Space 18.8 m2
 Max Falling Height 920 mm

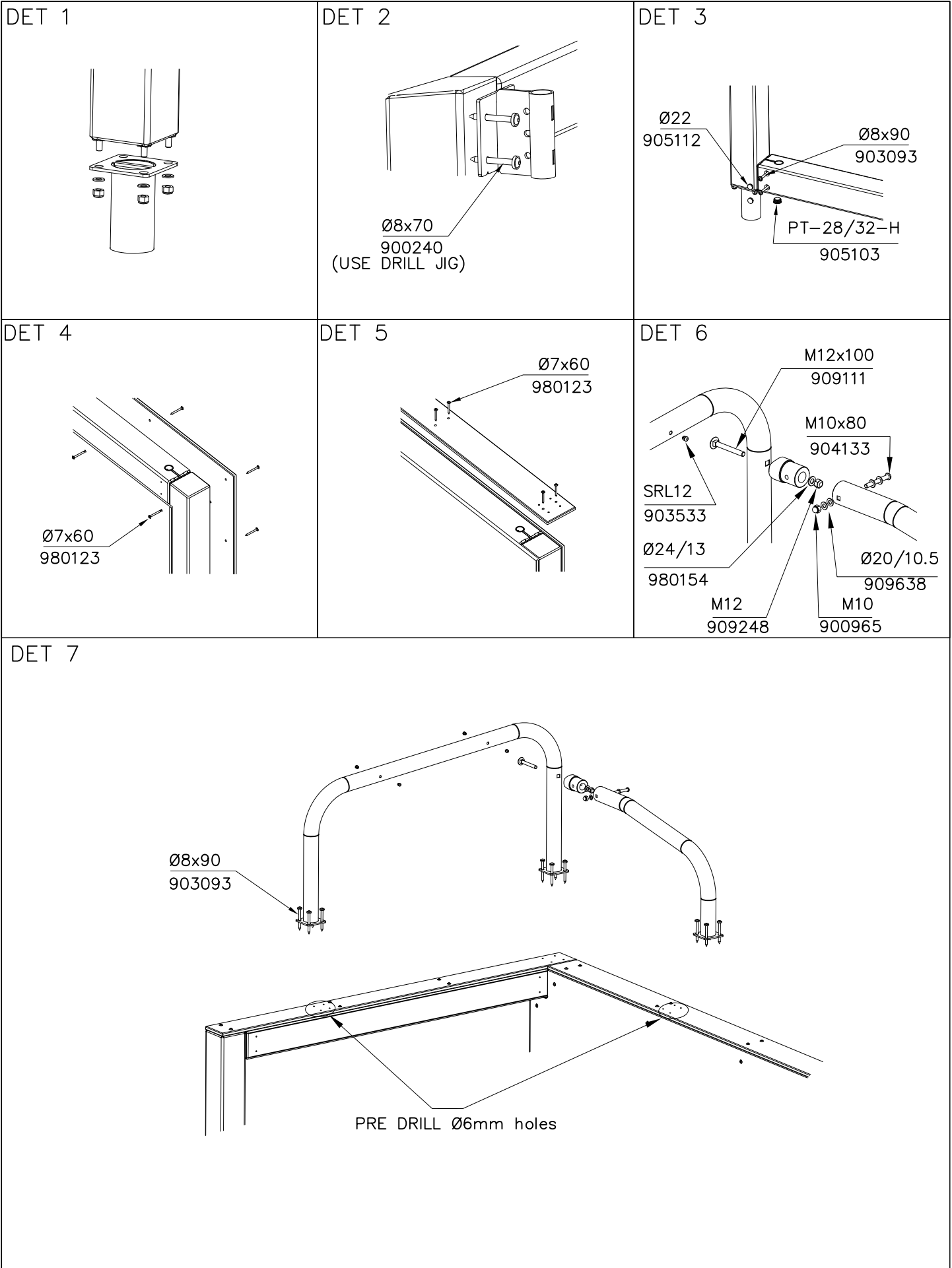


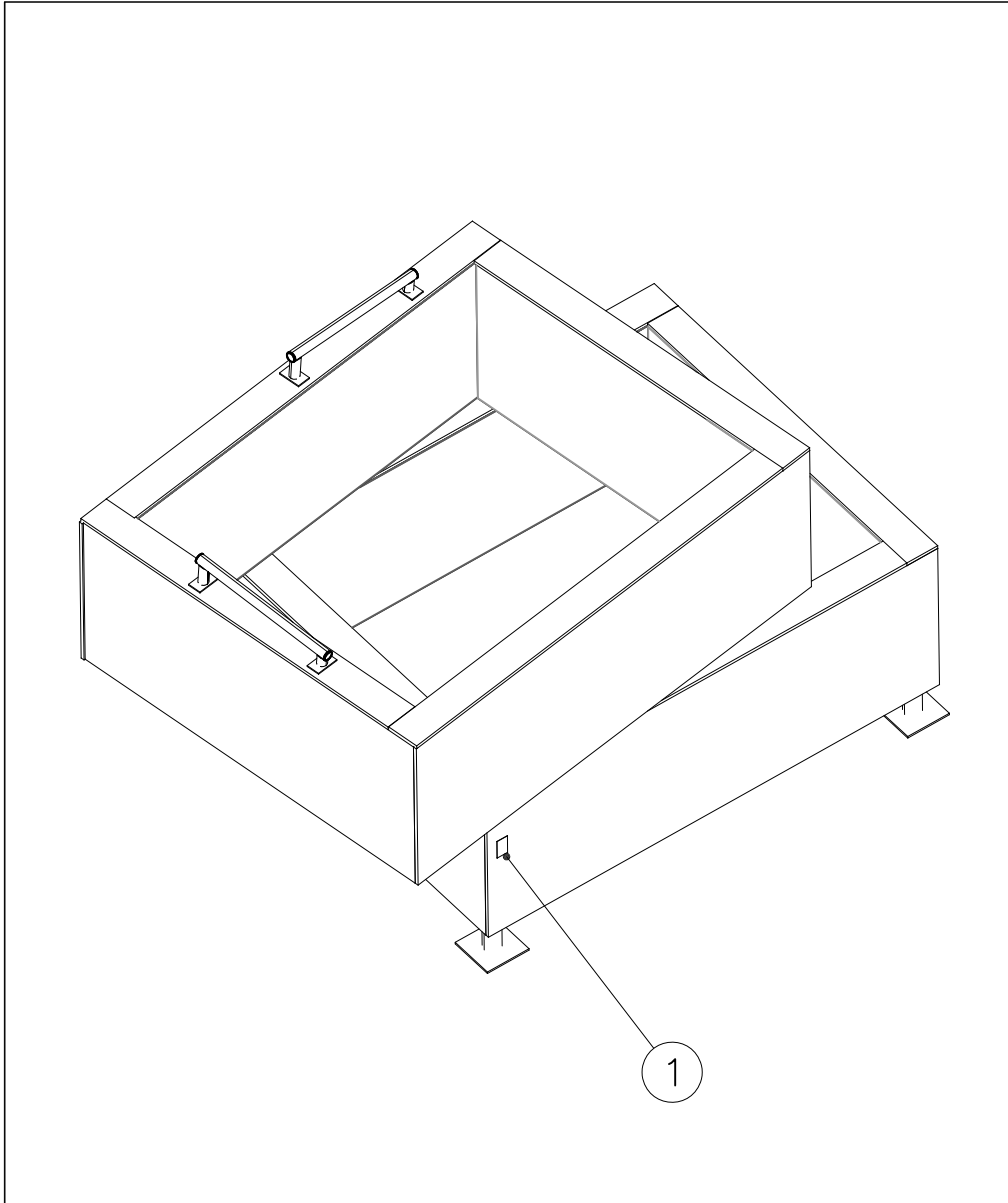




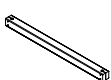






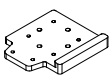
JIG DET A (USE DET 2)

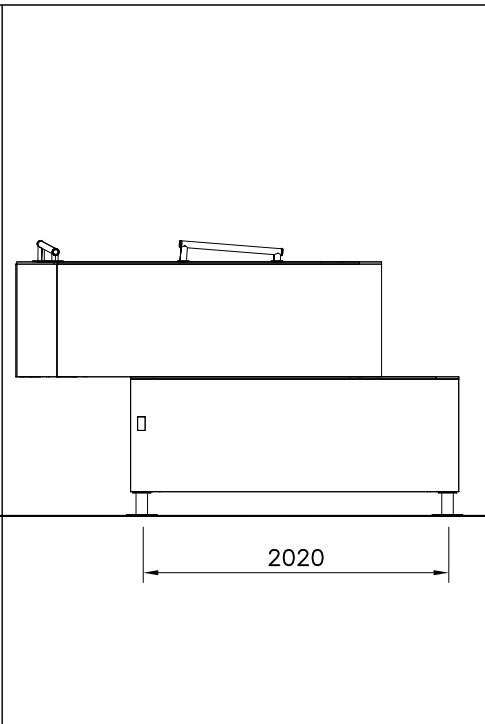
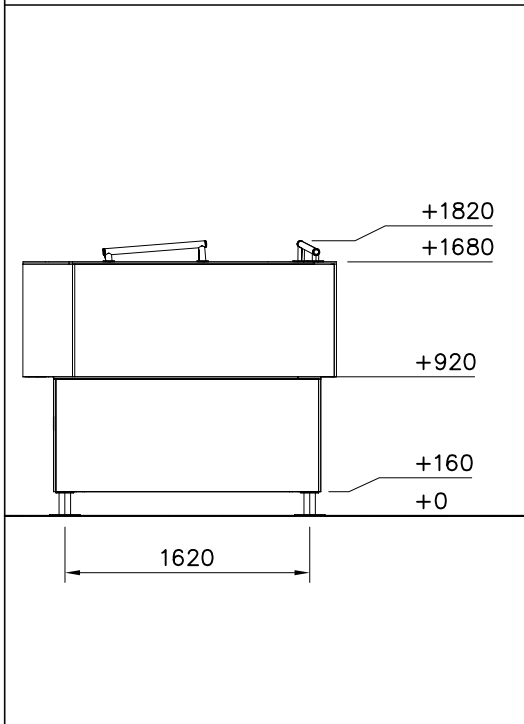
NOTE:
Use drill jig 708857
to predrill $\text{Ø}5 \nabla 50$
holes for 910266


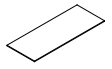
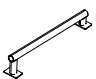





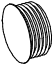

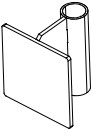









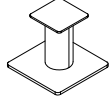
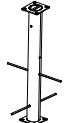
① 702341  90x50	PCS 1	② 707213  118x118x1490	PCS 8
③ 707517  118x118x1892	PCS 8	④ 708137  118x118x745	PCS 4
⑤ 708836  15x745x1736	PCS 4	⑥ 708837  15x745x2168	PCS 4
⑦ 708839  15x745x1897	PCS 2	⑧ 708840  15x148x2018	PCS 4
⑨ 708841  15x148x1616	PCS 4	⑩ 708857 JIG  20x133x149	PCS 1



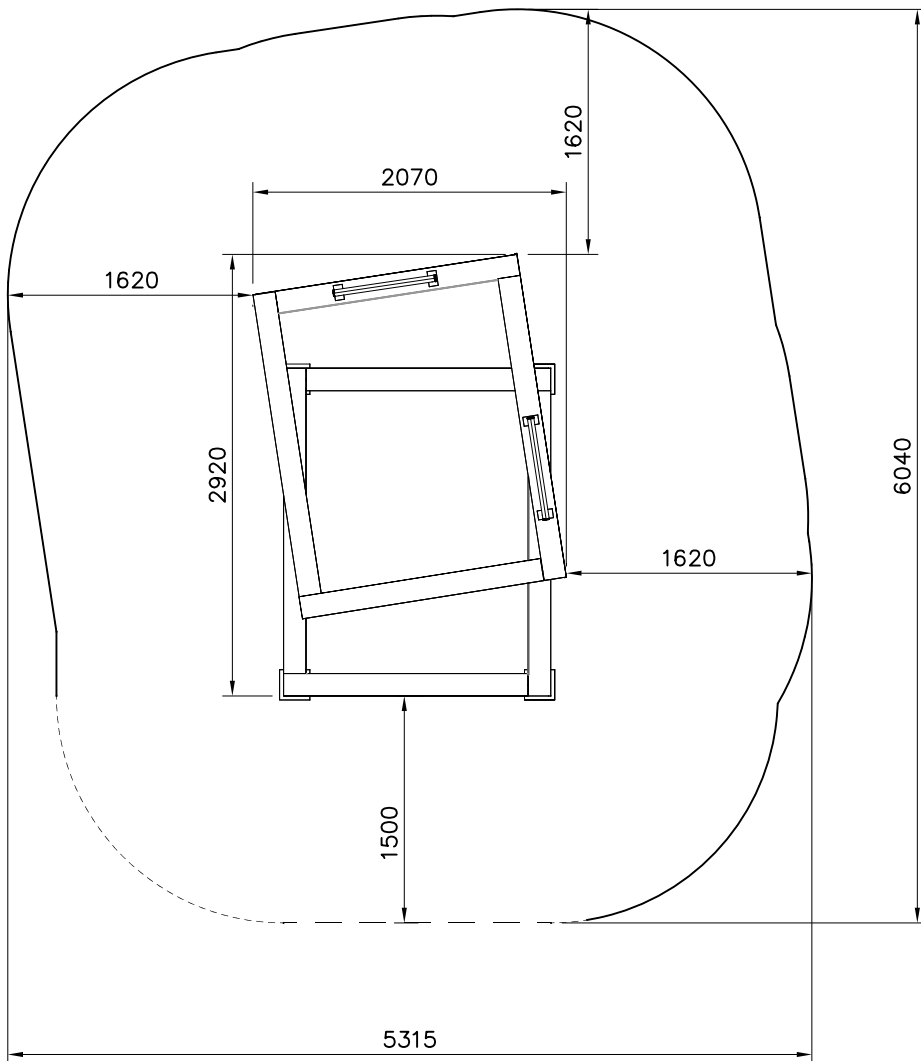
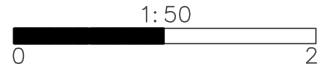
⑪ 911288 COLOR  15x745x1465	PCS 4	⑫ 911289 COLOR  15x745x1897	PCS 2
⑬ 910056  140x690	PCS 2	⑭ 980123  Ø7x60	PCS 216
⑮ 900240  Ø8x70	PCS 128	⑯ 903093  Ø8x90	PCS 72

⑰ 905103	PCS 24	⑱ 905112	PCS 64	⑲ 910266	PCS 32	⑳ 709110	PCS 4	㉑ 905086	PCS 8	㉒ 908371	PCS 4
											
PT-28/32-H		Ø22		90x108x118		118x118x745		Ø44/13.5 x 3.9		42-38/40	
⑳ 909132	PCS 4	㉔ 909248	PCS 4								
											
M12x280		M12									

FOOT OPTIONS

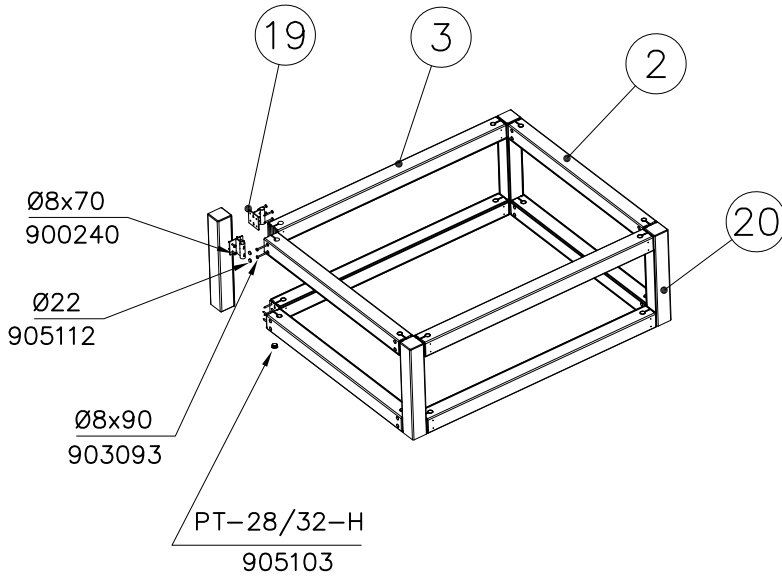
709261+		709262+	
○ 910330	PCS 4	○ 910567	PCS 4
SURFACE		CONCRETE	
			
152x200x200		117x117x715	

- EN Impact Attenuating Surface (IAS) 27.3 m²
- - - - Falling Space 27.3 m²
- Max Falling Height 1820 mm

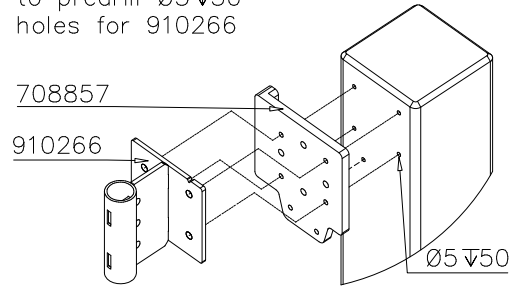


DET 4

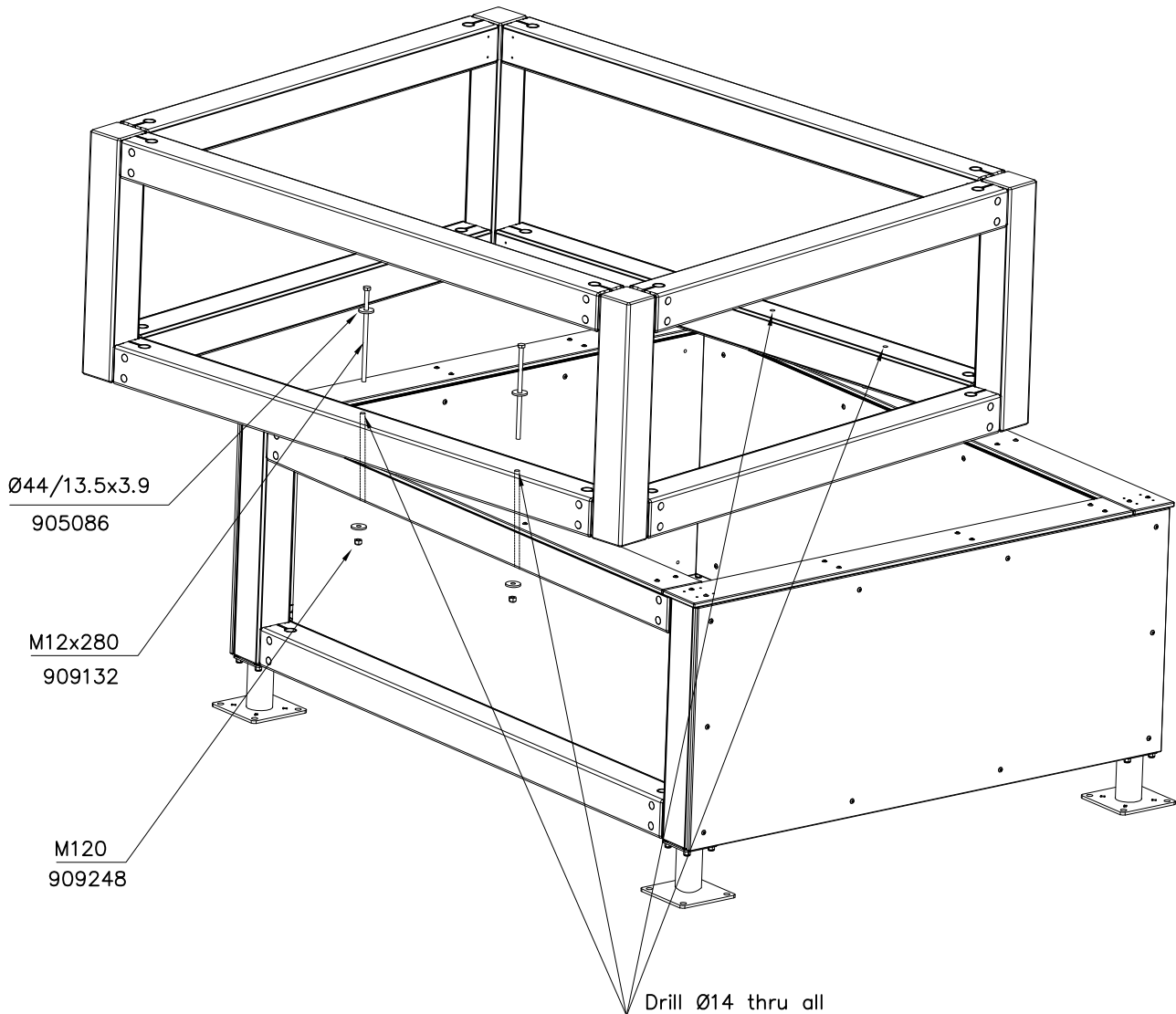
SECOND FLOOR



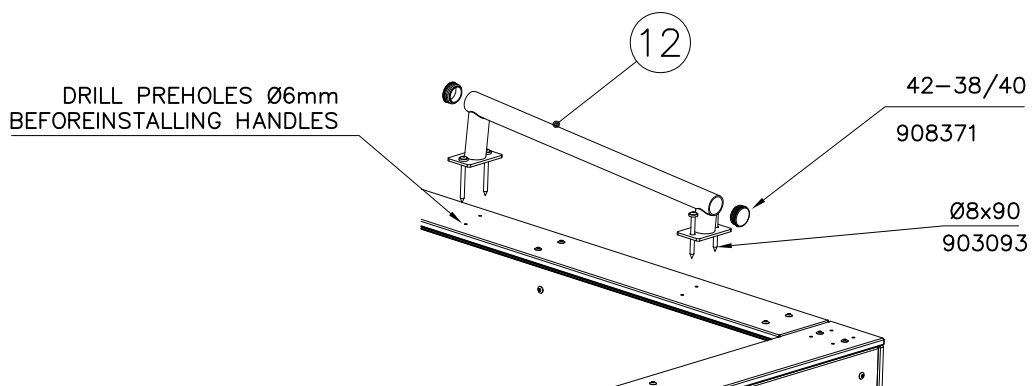
NOTE:
Use drill jig 708857
to predrill Ø5∇50
holes for 910266



DET 5



DET 8



DET 9

