

WINAM GROUP

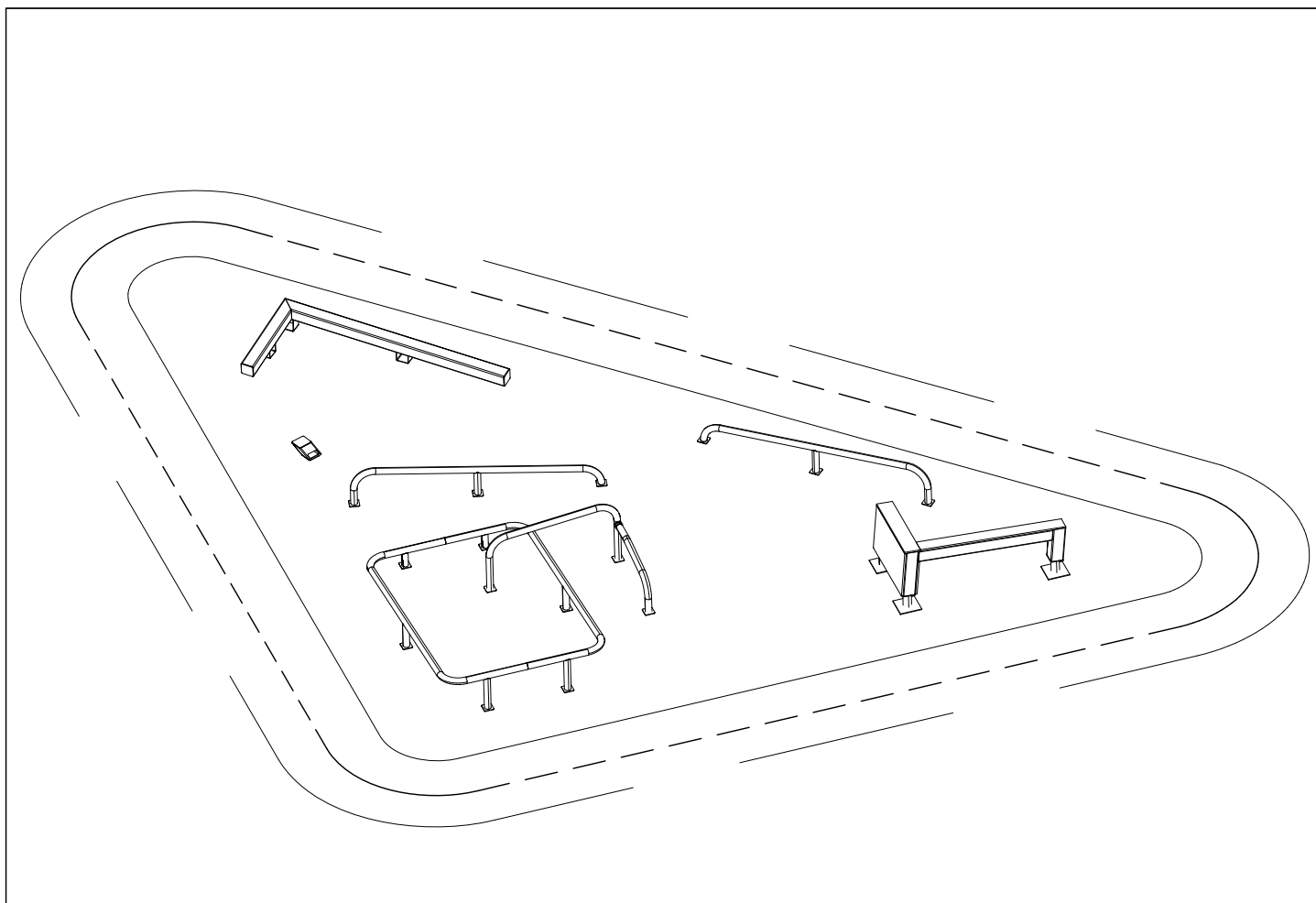


DASH PARKOUR

ASENNUSOHJE
MONTERINGSANSVISNING
INSTALLATION INSTRUCTION
AUFBAUANLEITUNG
NOTICE D'INSTALLATION

DATE: 11.12.2019

081761M



WINAM GROUP

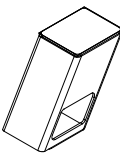
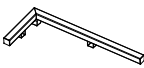
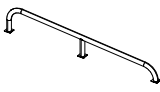
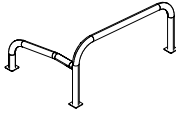
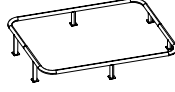
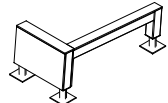






DASH PARKOUR

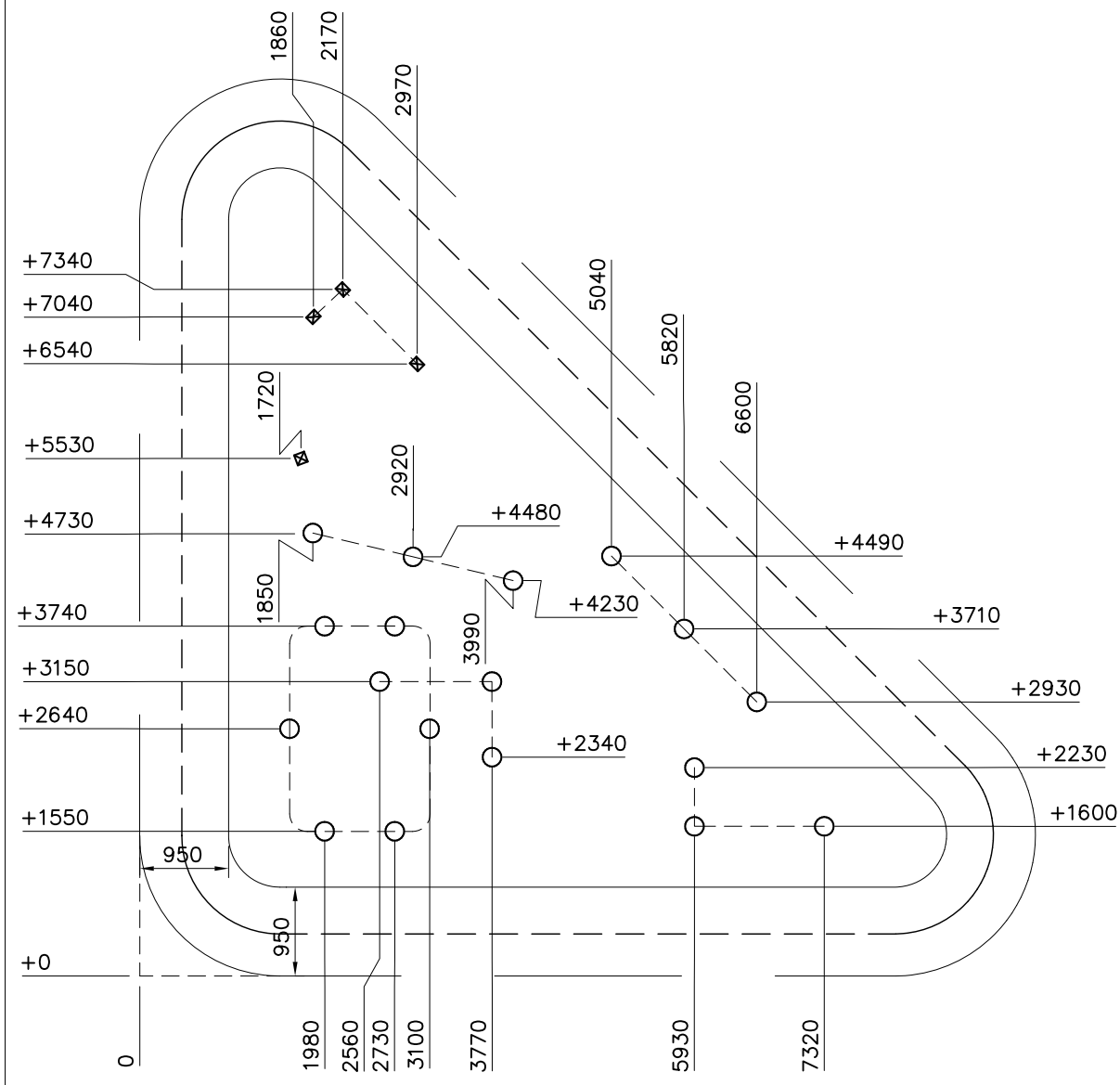
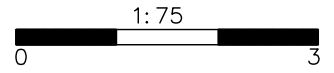
081761M

DATE: 11.12.2019

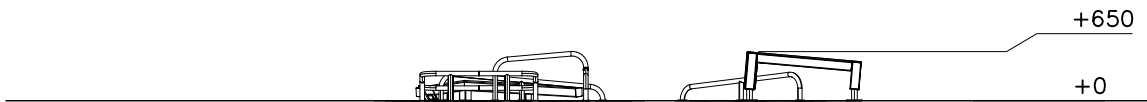
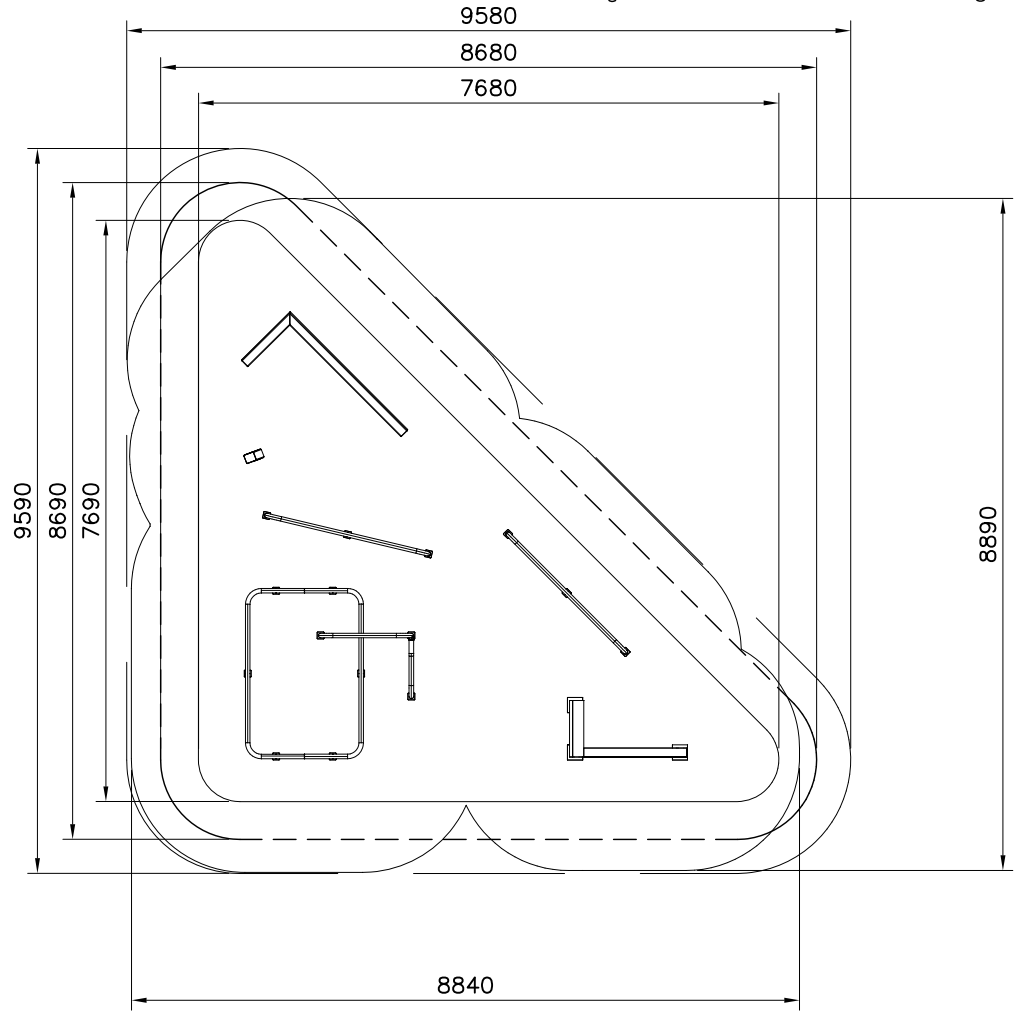
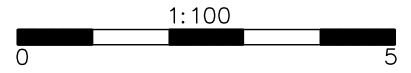


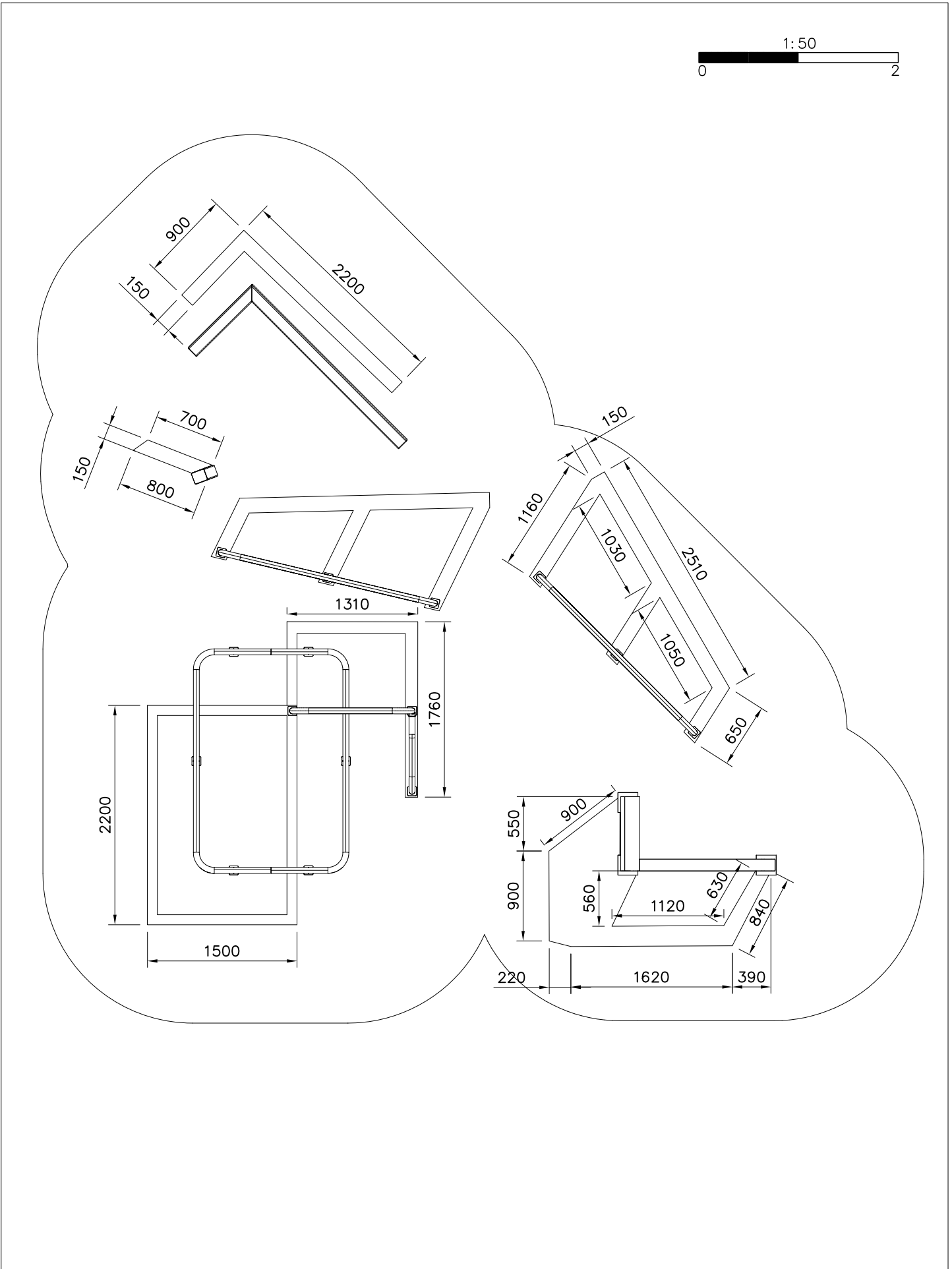
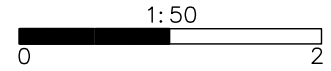
1(1)
3

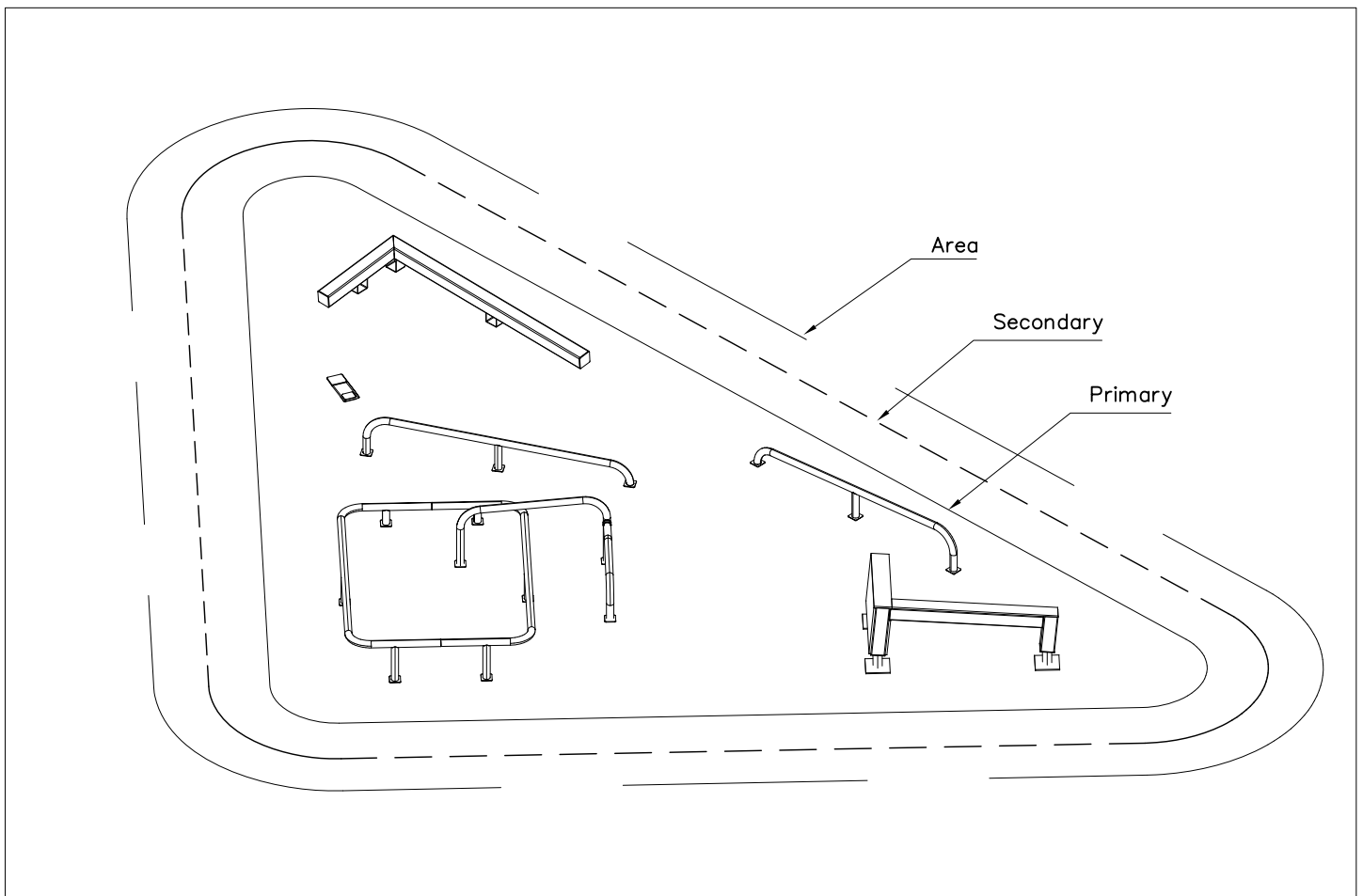
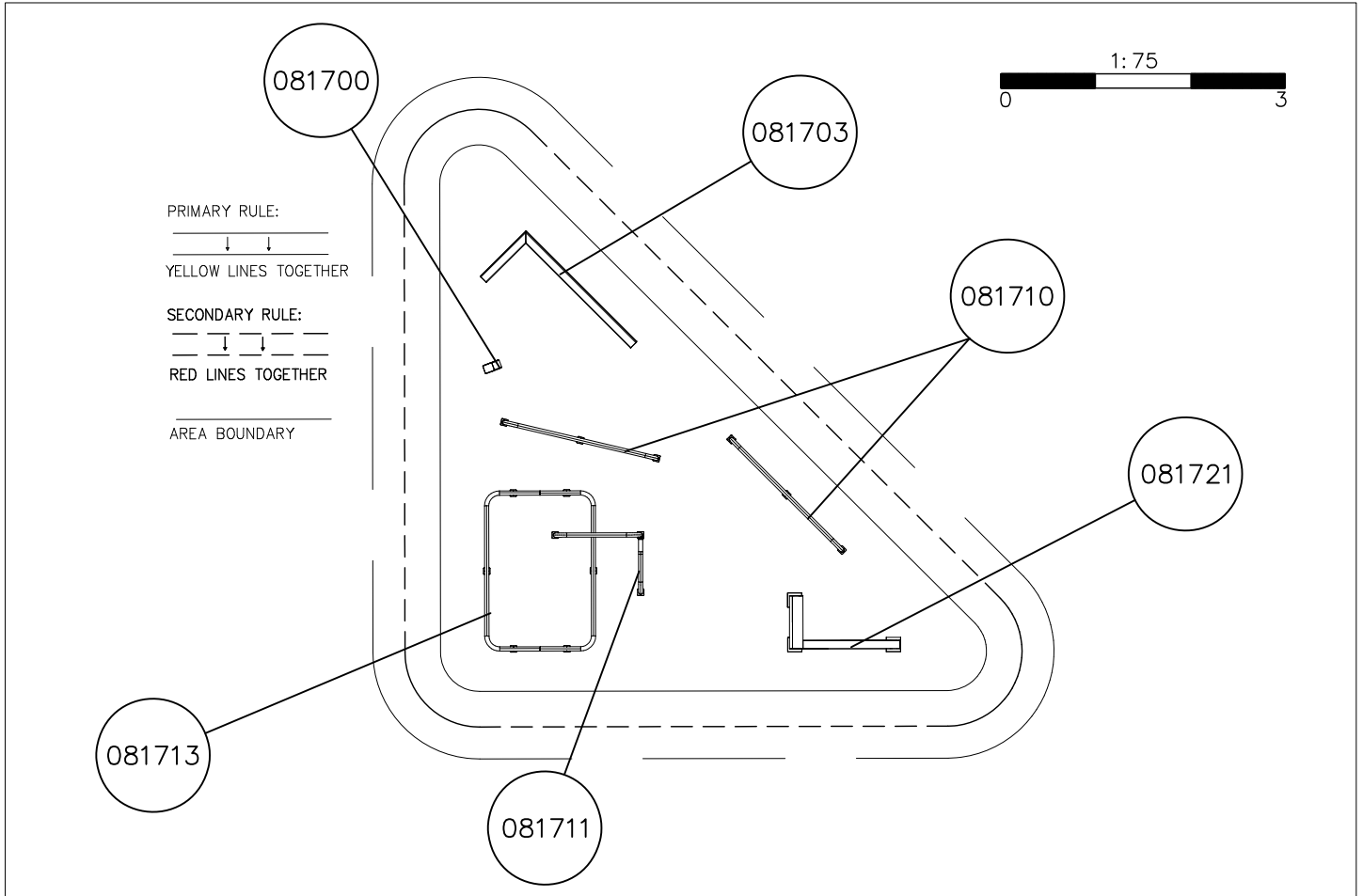
081700M	PCS	081703M	PCS	081710M	PCS	081711M	PCS	081713M	PCS	081721M	PCS
	1		1		2		1		1		1
											
	PCS		PCS		PCS		PCS		PCS		PCS
	PCS		PCS		PCS		PCS		PCS		PCS
	PCS		PCS		PCS		PCS		PCS		PCS
	PCS		PCS		PCS		PCS		PCS		PCS

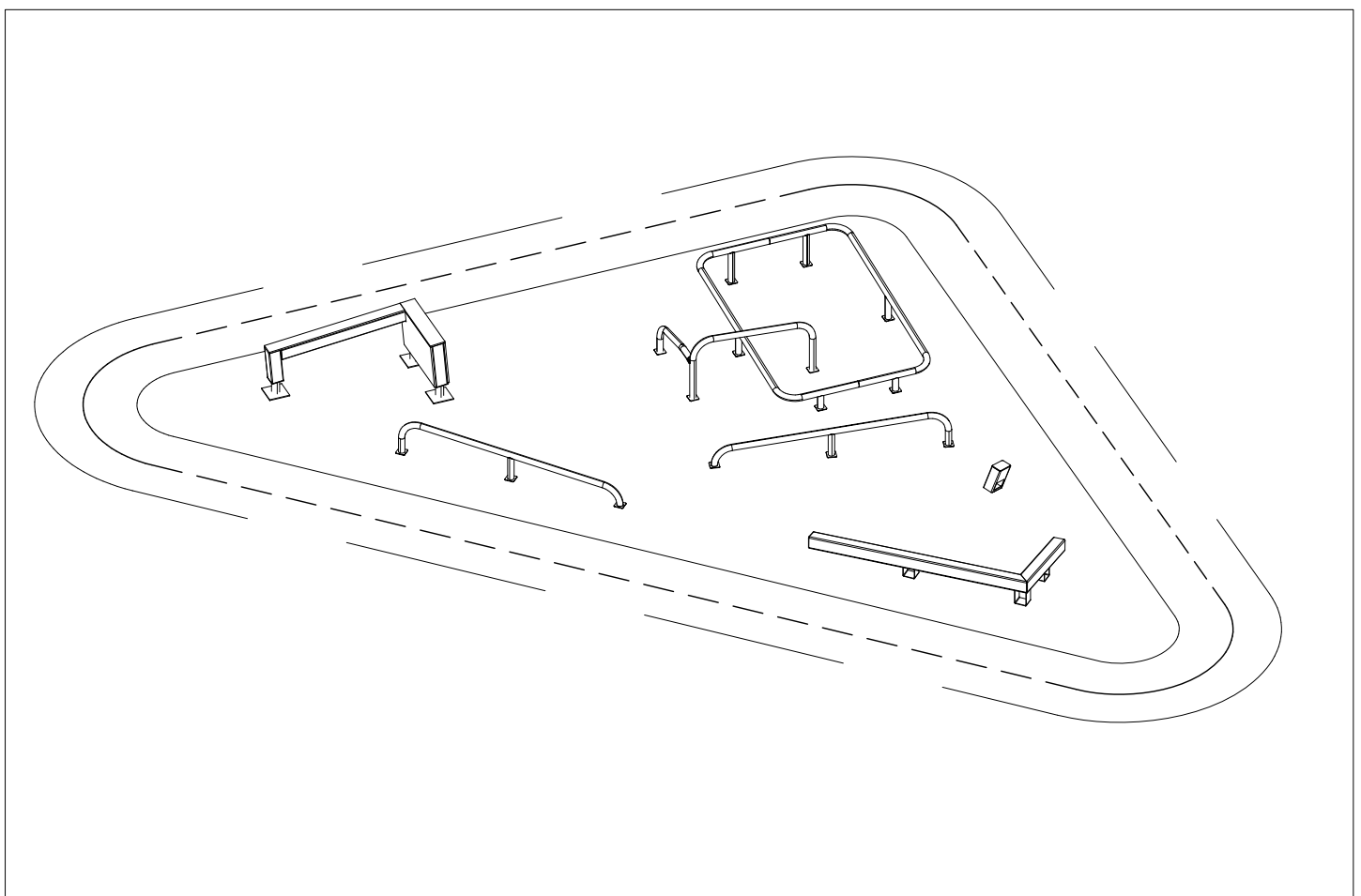
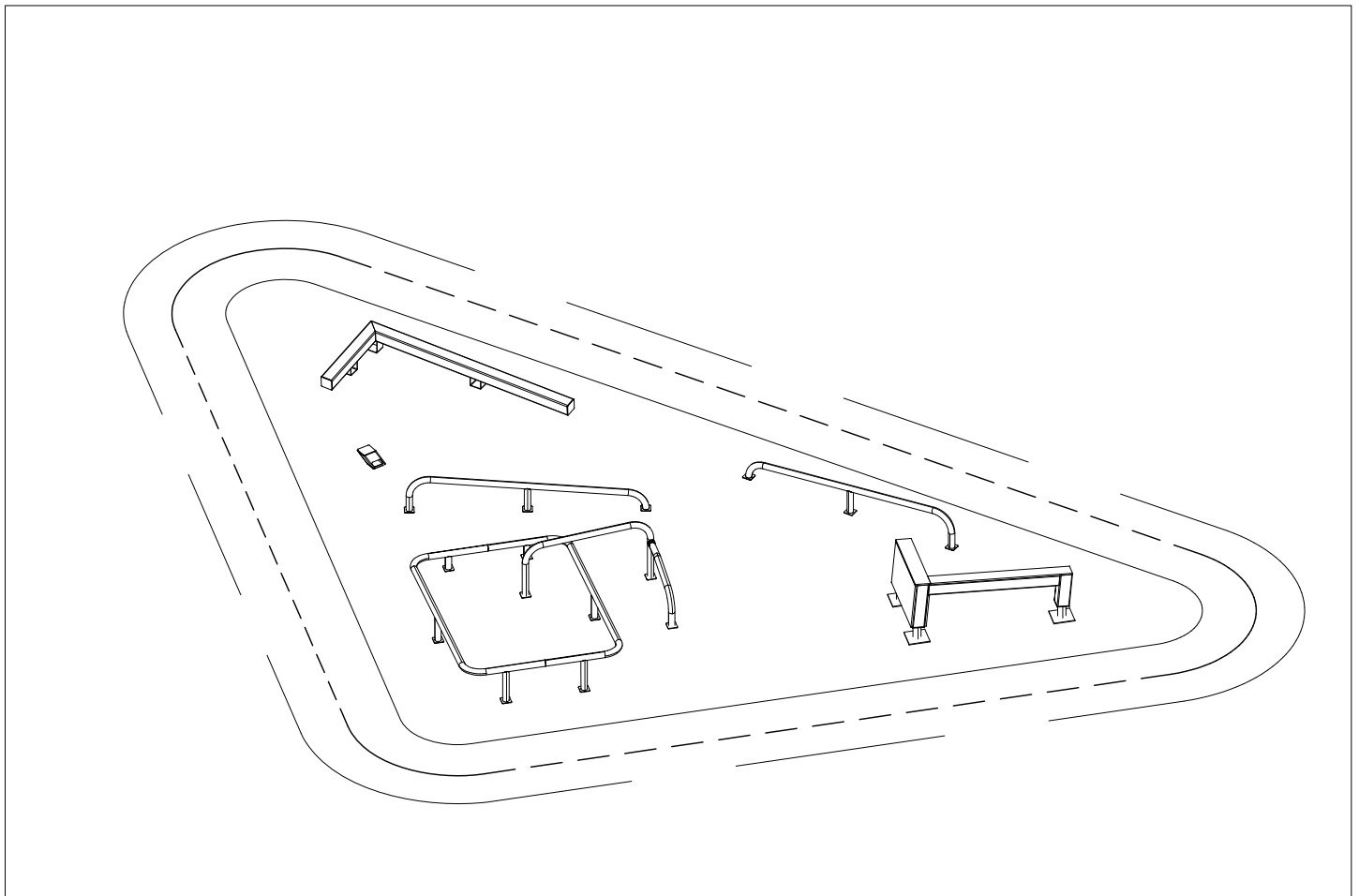


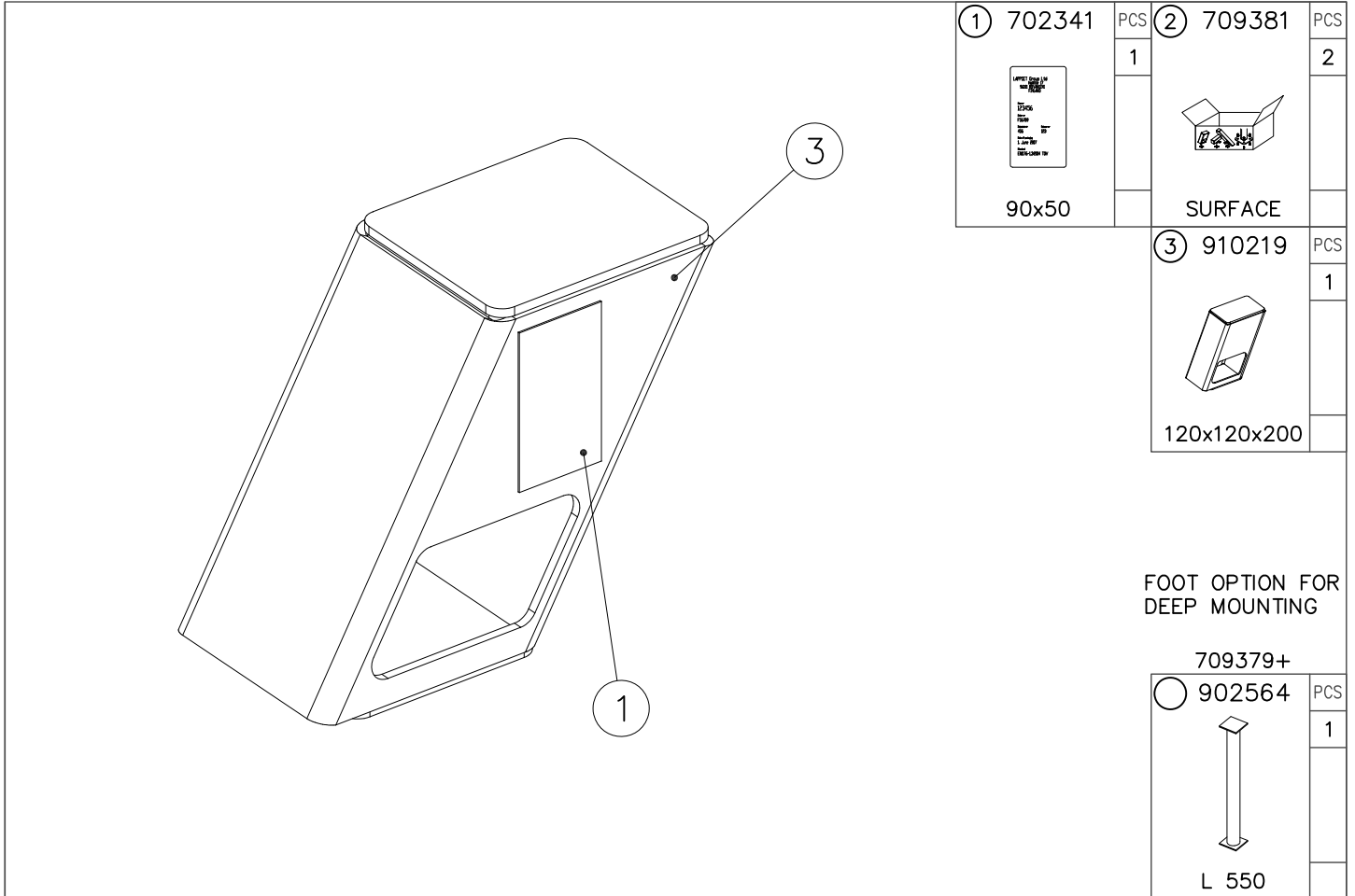
— Falling Space 56.1 m²
Max Falling Height 650 mm



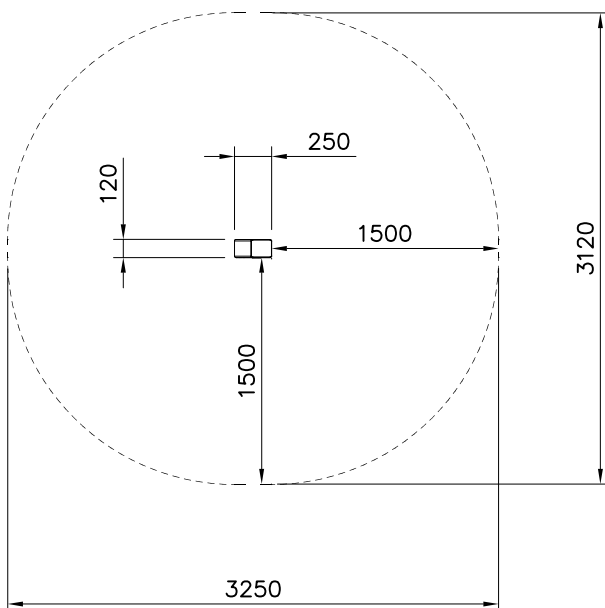
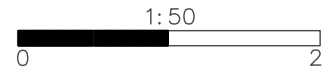




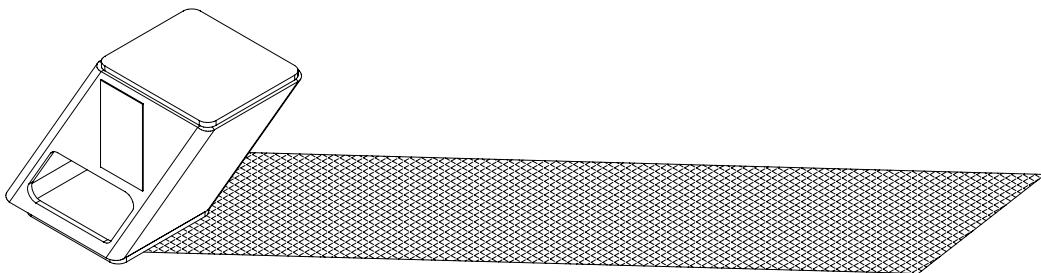
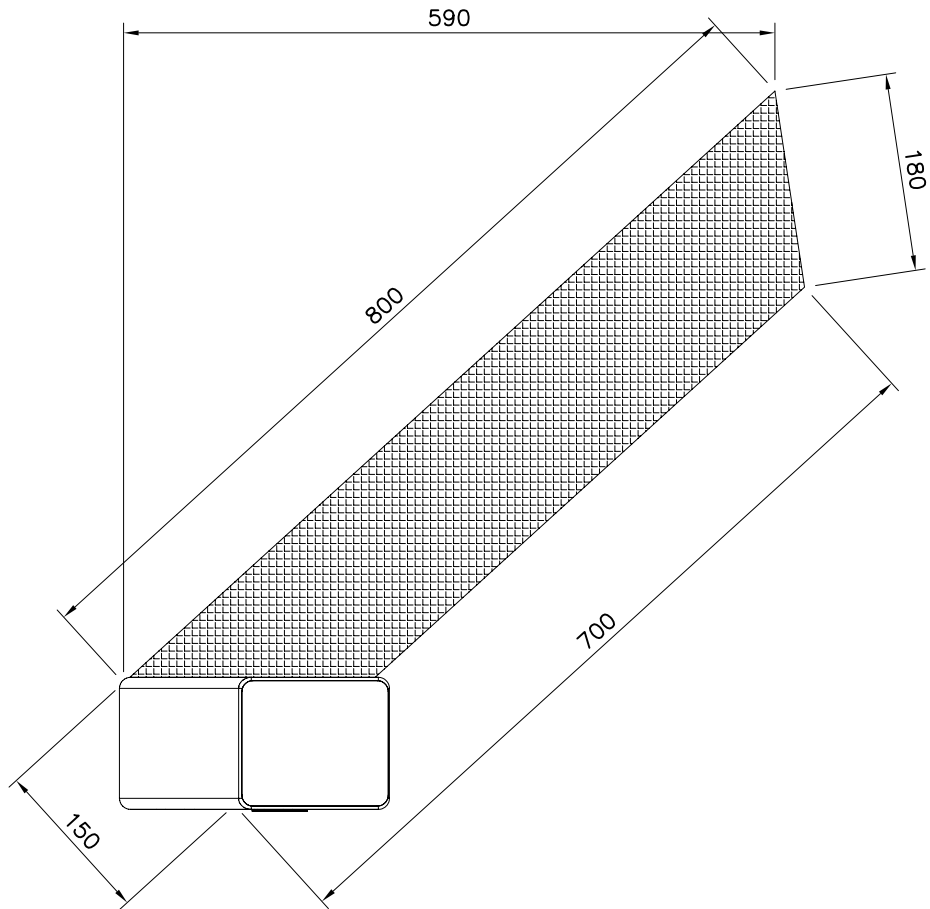


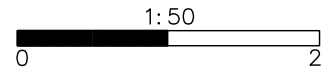
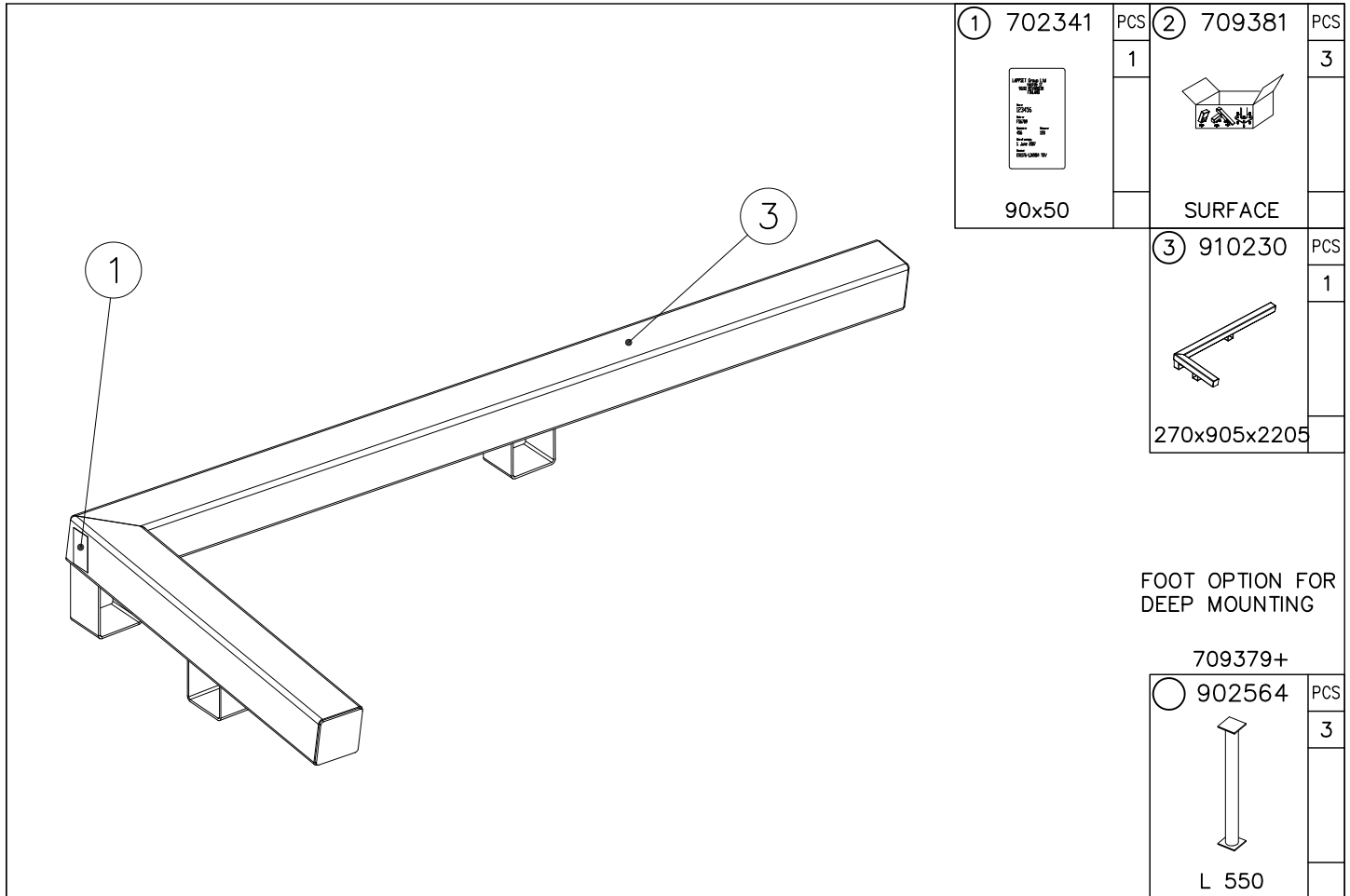


----- Falling Space 8.2 m2
Max Falling Height 200 mm

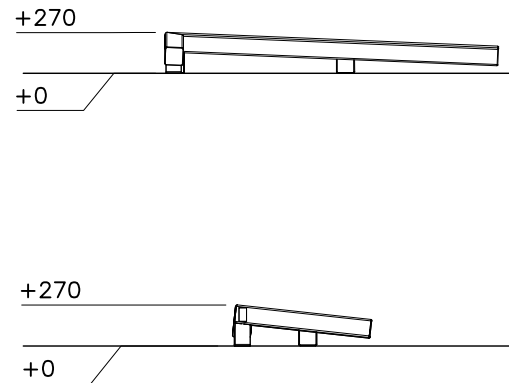
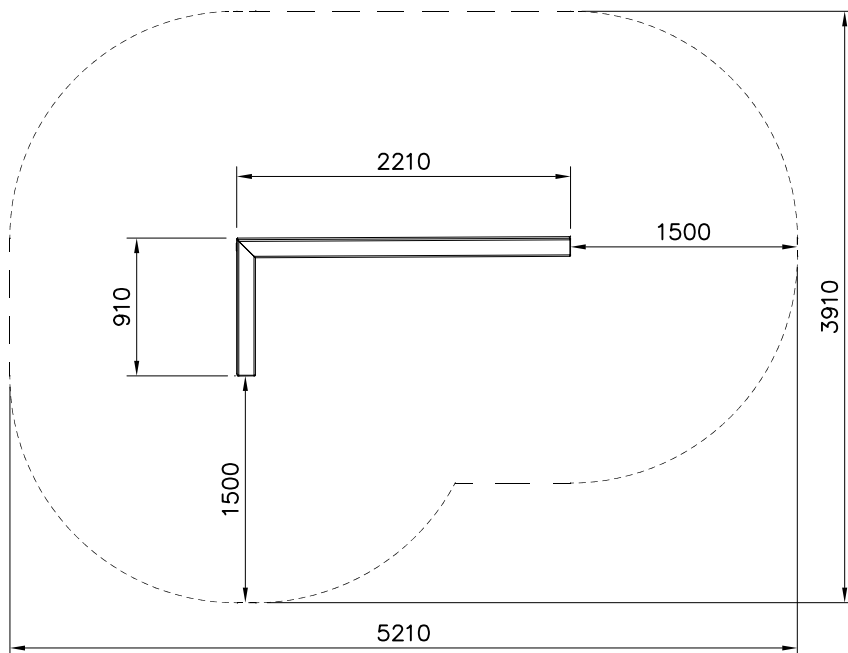


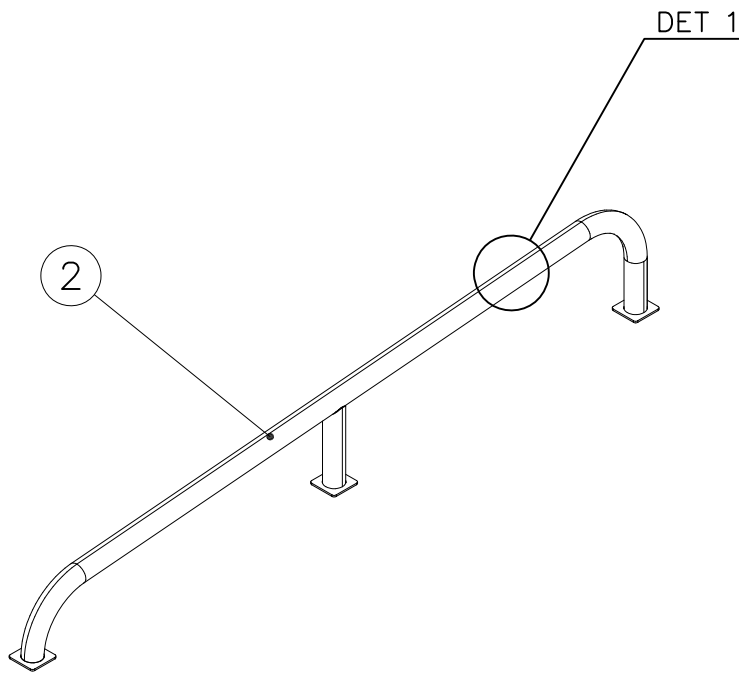
Shadow lines

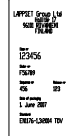
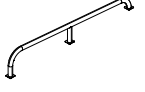





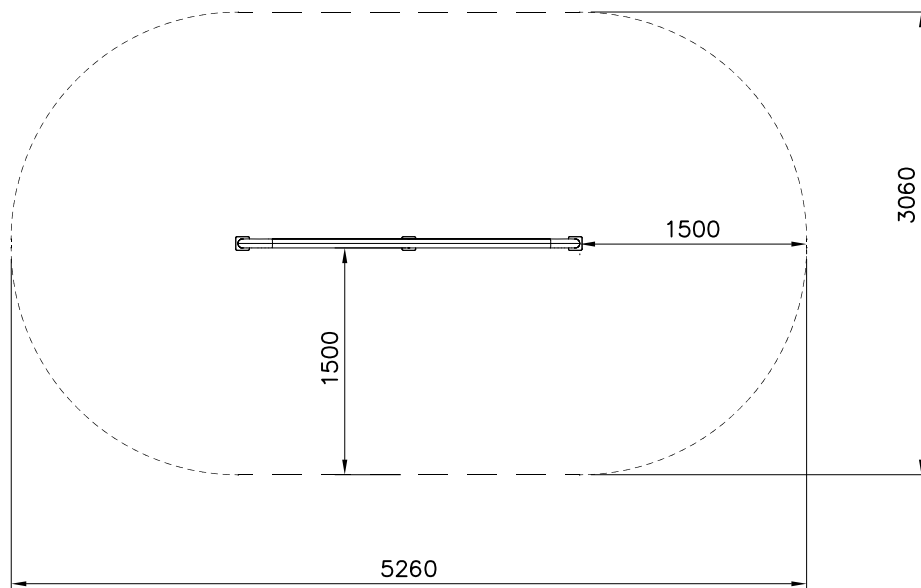
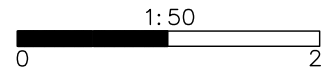
--- Falling Space 16.3 m²
Max Falling Height 270 mm

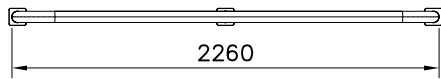
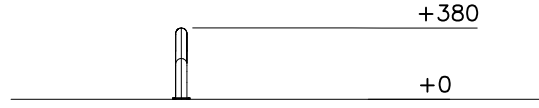
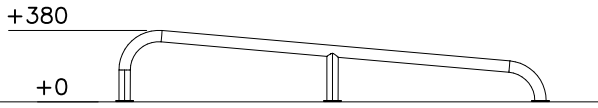




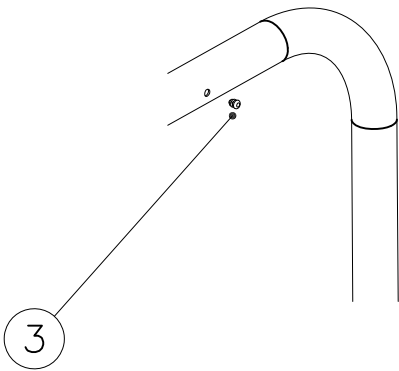
① 702341	PCS	② 910253	PCS
	1		1
90x50		Ø60x376x2290	
③ 903533	PCS		PCS
	4		
SRL12			

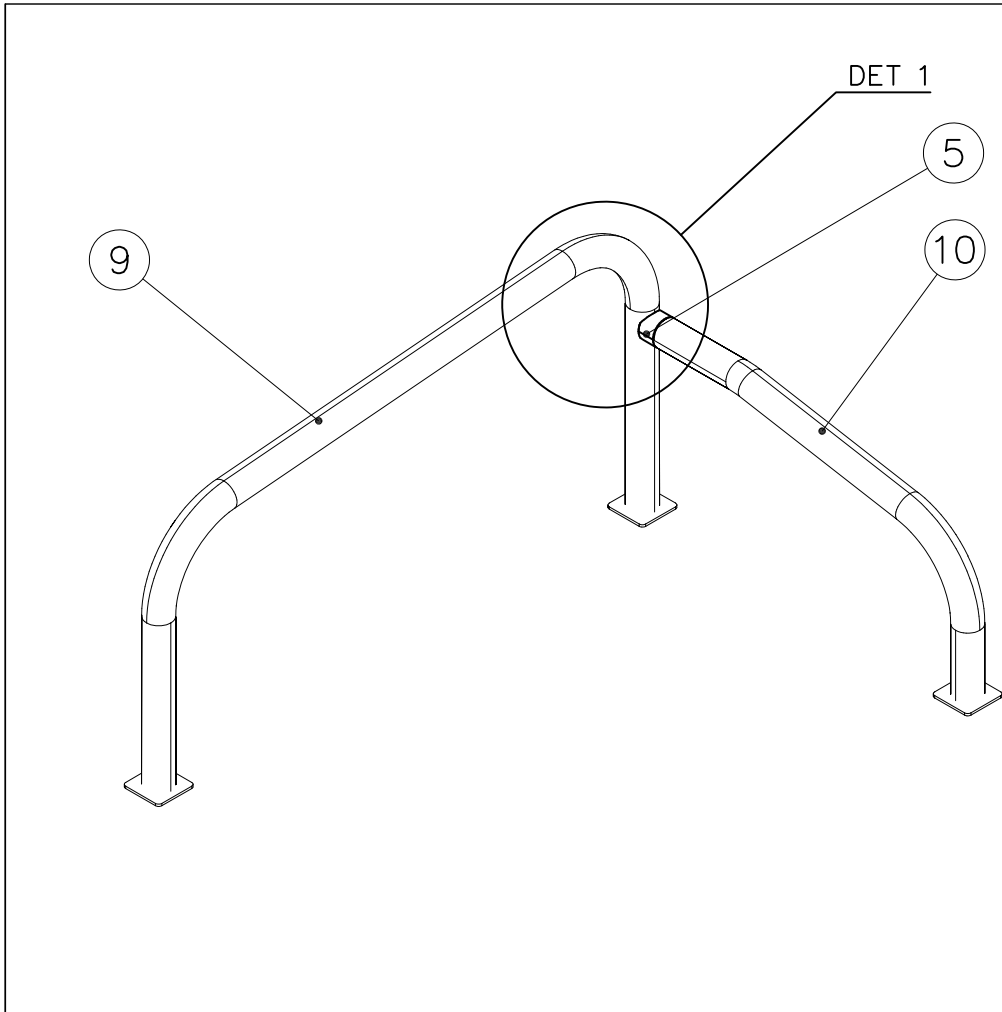
----- Falling Space 14.2 m²
Max Falling Height 380 mm

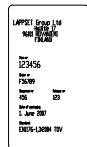

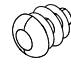

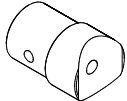
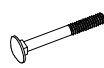



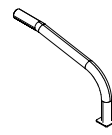





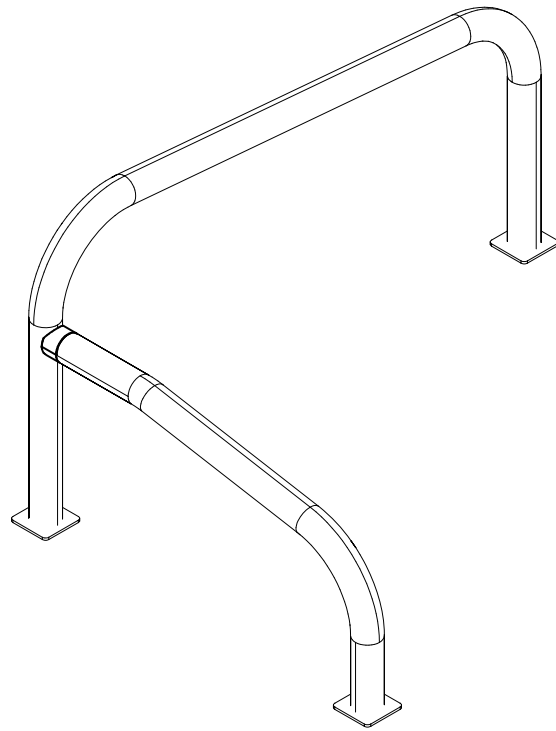
DET 1






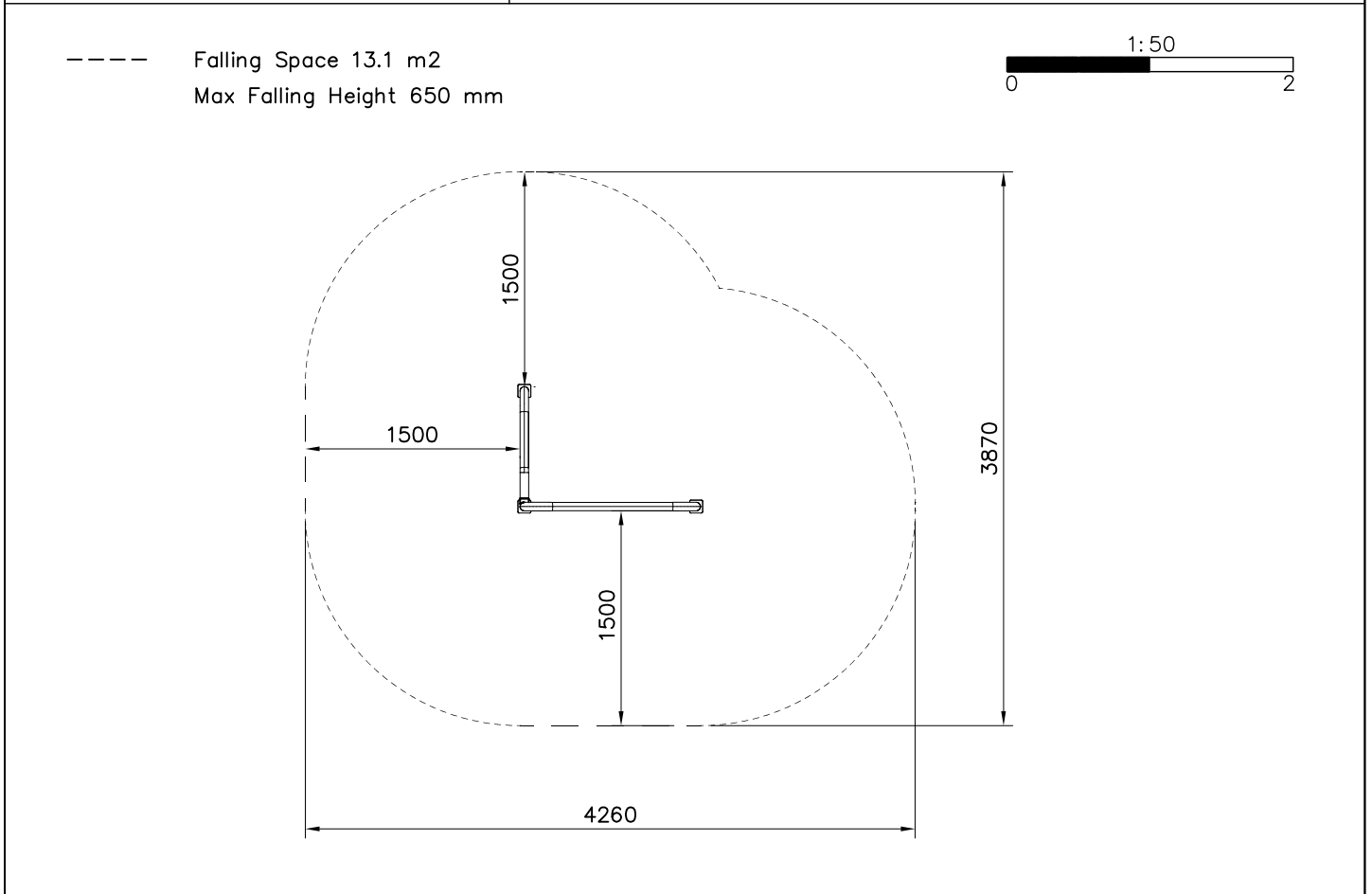
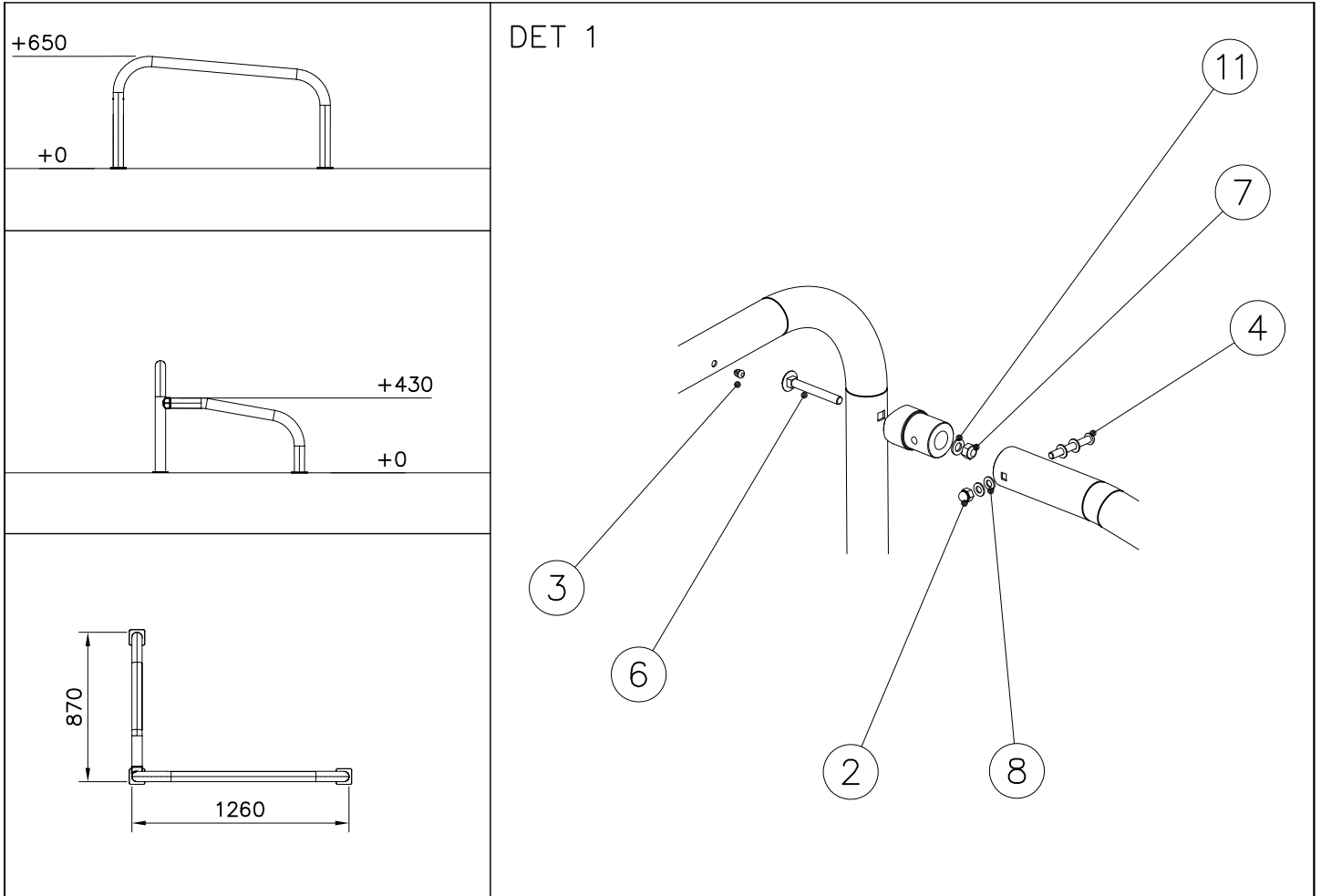
①	702341	PCS	②	900965	PCS
 <p>90x50</p>		1	 <p>M10</p>		1
③	903533	PCS	④	904133	PCS
 <p>SRL12</p>		4	 <p>M10x80</p>		1
⑤	908069	PCS	⑥	909111	PCS
 <p>Ø60x87.6</p>		1	 <p>M12x100</p>		1
⑦	909248	PCS	⑧	909638	PCS
 <p>M12</p>		1	 <p>Ø20/10.5</p>		4
⑨	910254	PCS	⑩	910262	PCS
 <p>Ø60x650x1290</p>		1	 <p>Ø60x435x795</p>		1
⑪	980154	PCS			PCS
 <p>Ø24/13</p>		1			

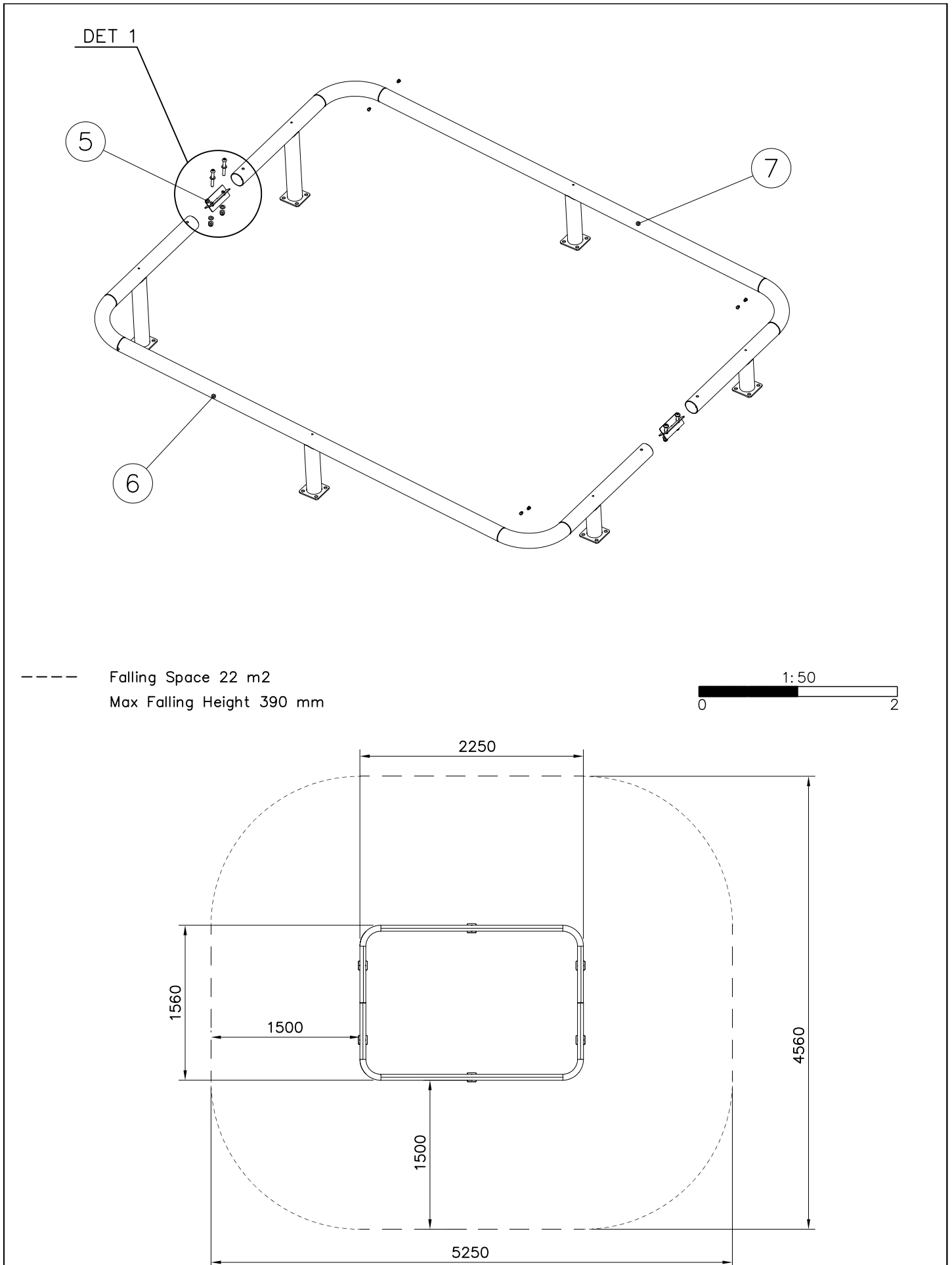
OPTION LEFT-HANDED

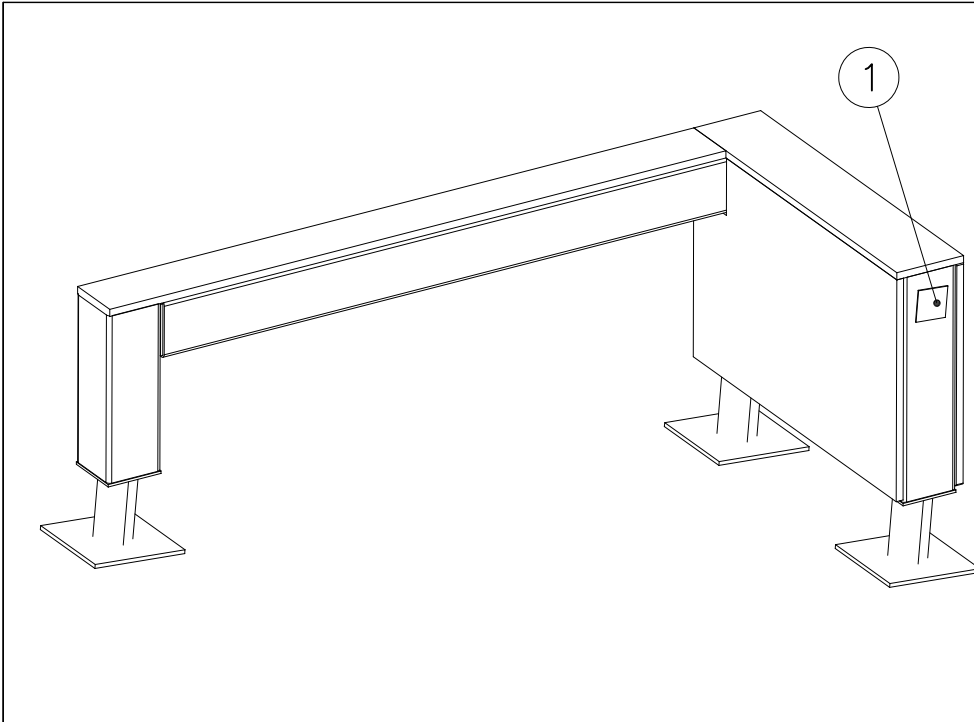


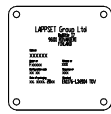
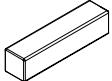

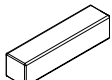
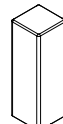

FOOT OPTION FOR DEEP MOUNTING

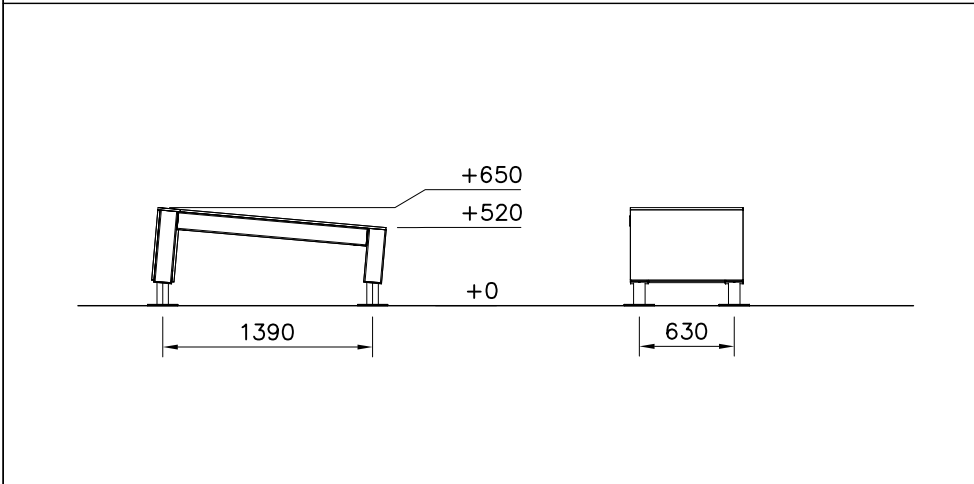
709379+	
○ 902564	PCS
 <p>L 550</p>	3


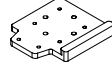
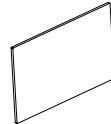



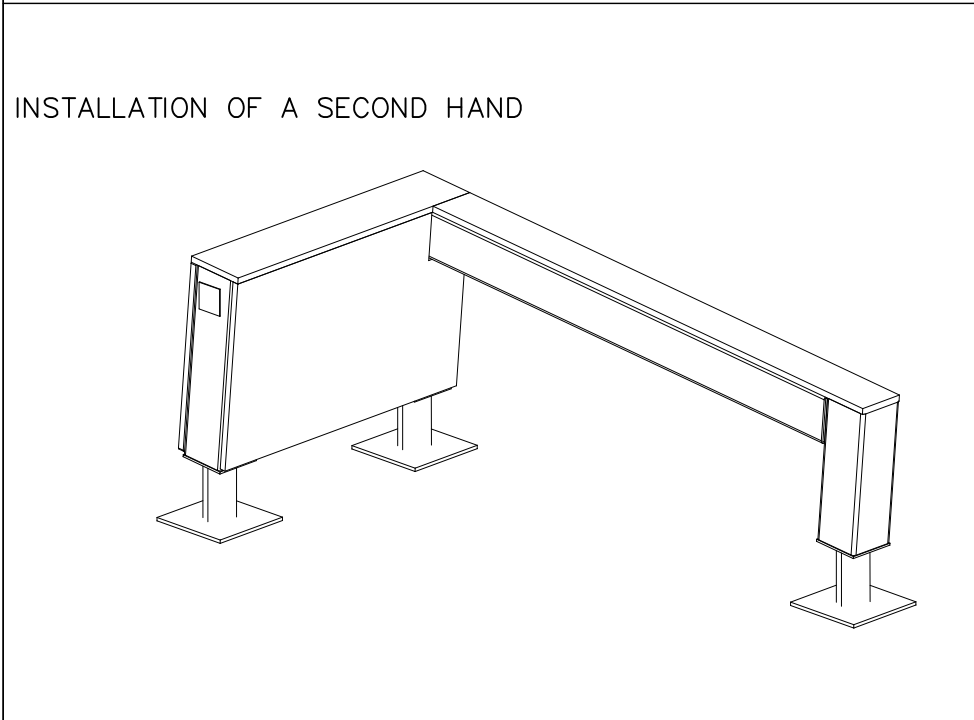





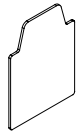
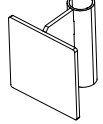
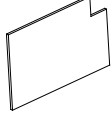





① 702286	PCS	② 707210	PCS
	1		2
65x65		118x118x503	
③ 707212	PCS	④ 707889	PCS
	1		2
118x118x1254		118x118x472	
⑤ 708443	PCS	⑥ 708733	PCS
	1		1
118x118x352		15x148x745	



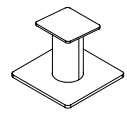
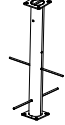
⑦ 708734	PCS	⑧ 708857 JIG	PCS
	1		1
15x118x1365		20x133x149	
⑨ 708731	PCS	⑩ 900240	PCS
	1		16
15x466x745		Ø8x70	



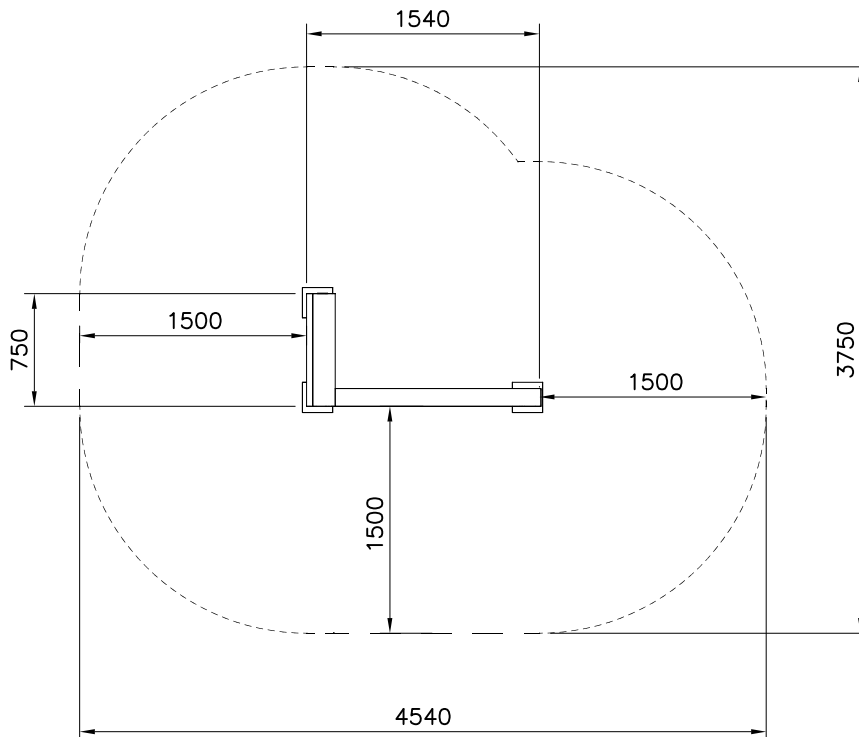
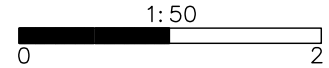
⑪ 903093	PCS	⑫ 905103	PCS
	4		2
Ø8x90		PT-28/32-H	
⑬ 905112	PCS	⑭ 908698	PCS
	4		4
Ø22		3x114x108	
⑮ 910266	PCS	⑯ 708732	PCS
	2		1
90x108x118		15x466x745	

⑰ 980100	PCS	⑱ 980114	PCS	⑲ 980123	PCS
	28		4		25
Ø5x60		Ø4x20		Ø7x60	

FOOT OPTIONS

709261+		709262+	
○ 910267	PCS	○ 910567	PCS
SURFACE	3	CONCRETE	3
			
152x200x200		117x117x715	

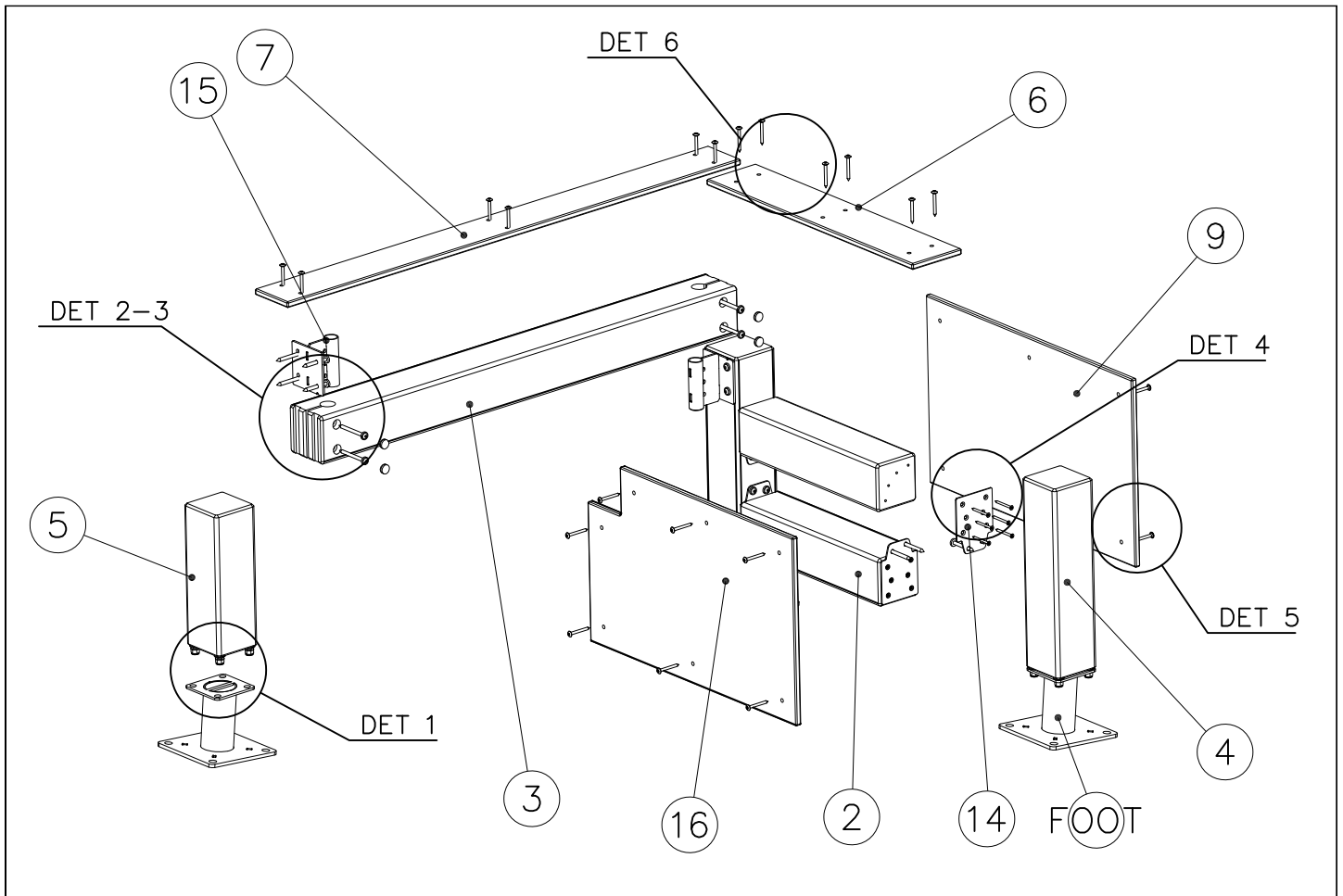
----- Falling Space 13.8 m²
Max Falling Height 650 mm

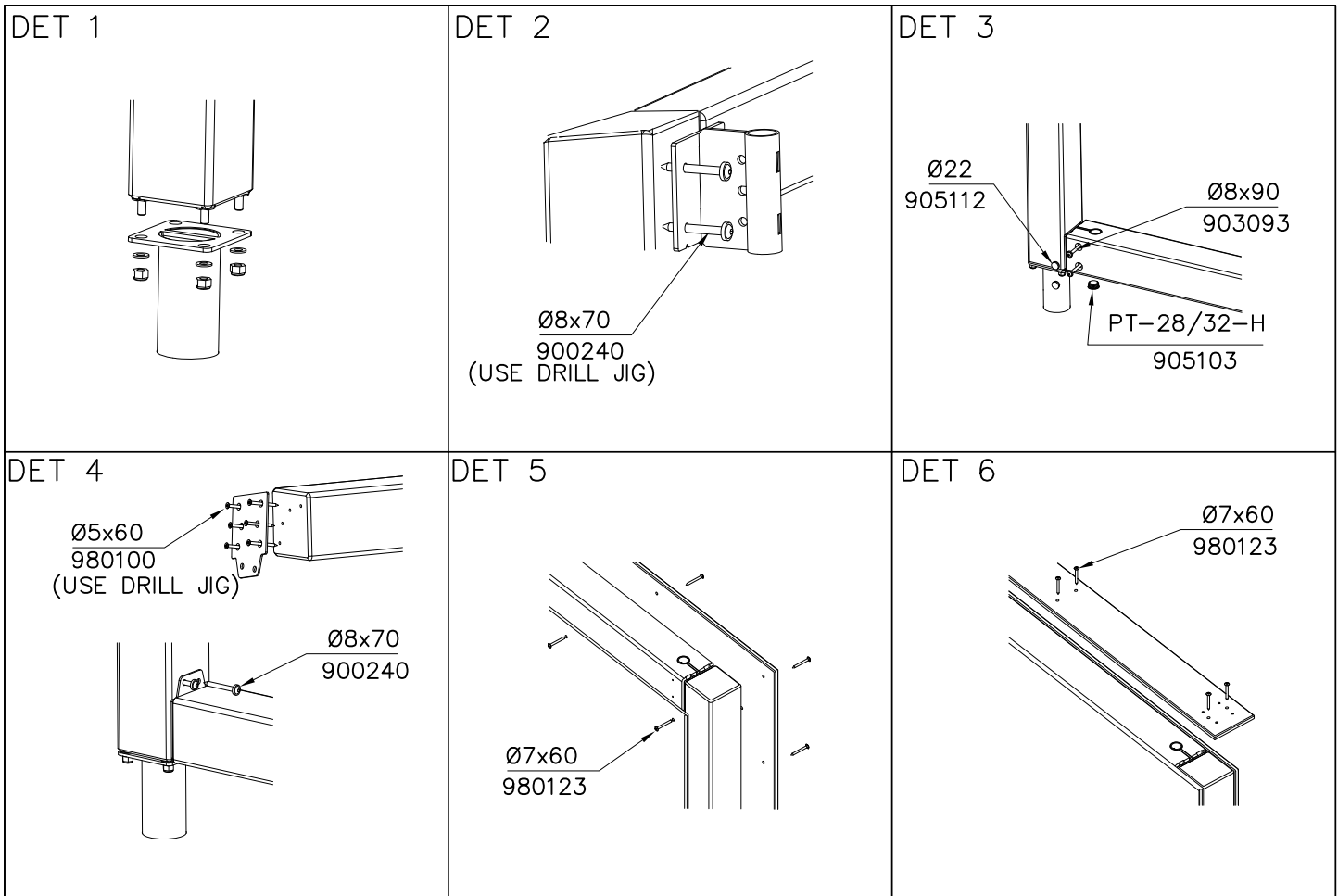


WINAM GROUP FLORA

081721M

DATE: 10.9.2019





JIG DET A (USE DET 2-4)

NOTE:

Use drill jig 708857 to predrill Ø5 ∇ 50 holes for 910266 and 908698

