

WINAM GROUP

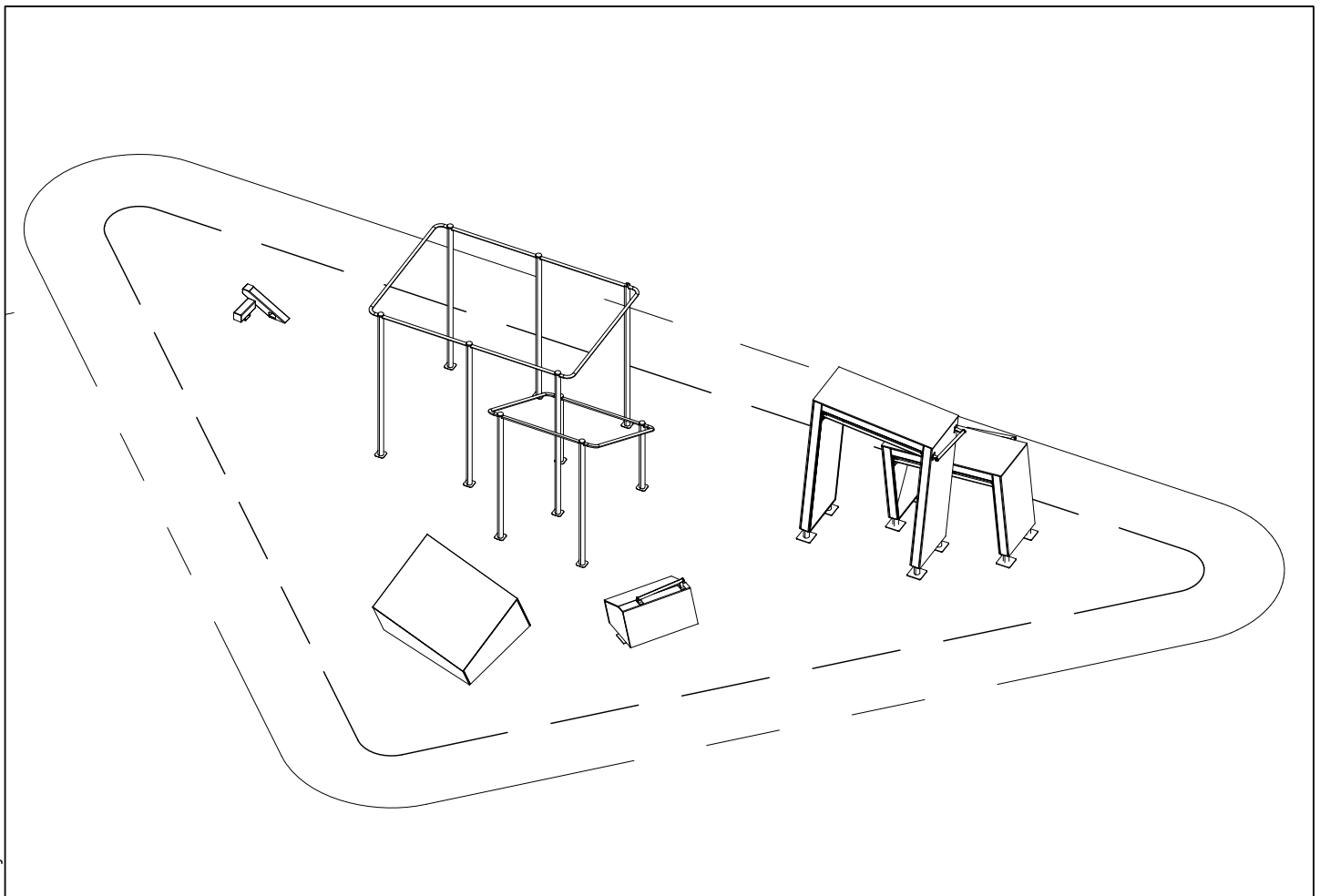
DASH PARKOUR



ASENNUSOHJE
MONTERINGSANSVISNING
INSTALLATION INSTRUCTION
AUFBAUANLEITUNG
NOTICE D'INSTALLATION

DATE: 7.11.2019

081765M



WINAM GROUP

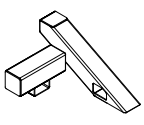
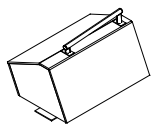
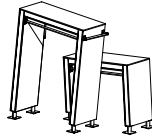
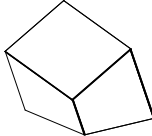
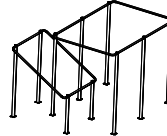





DASH PARKOUR

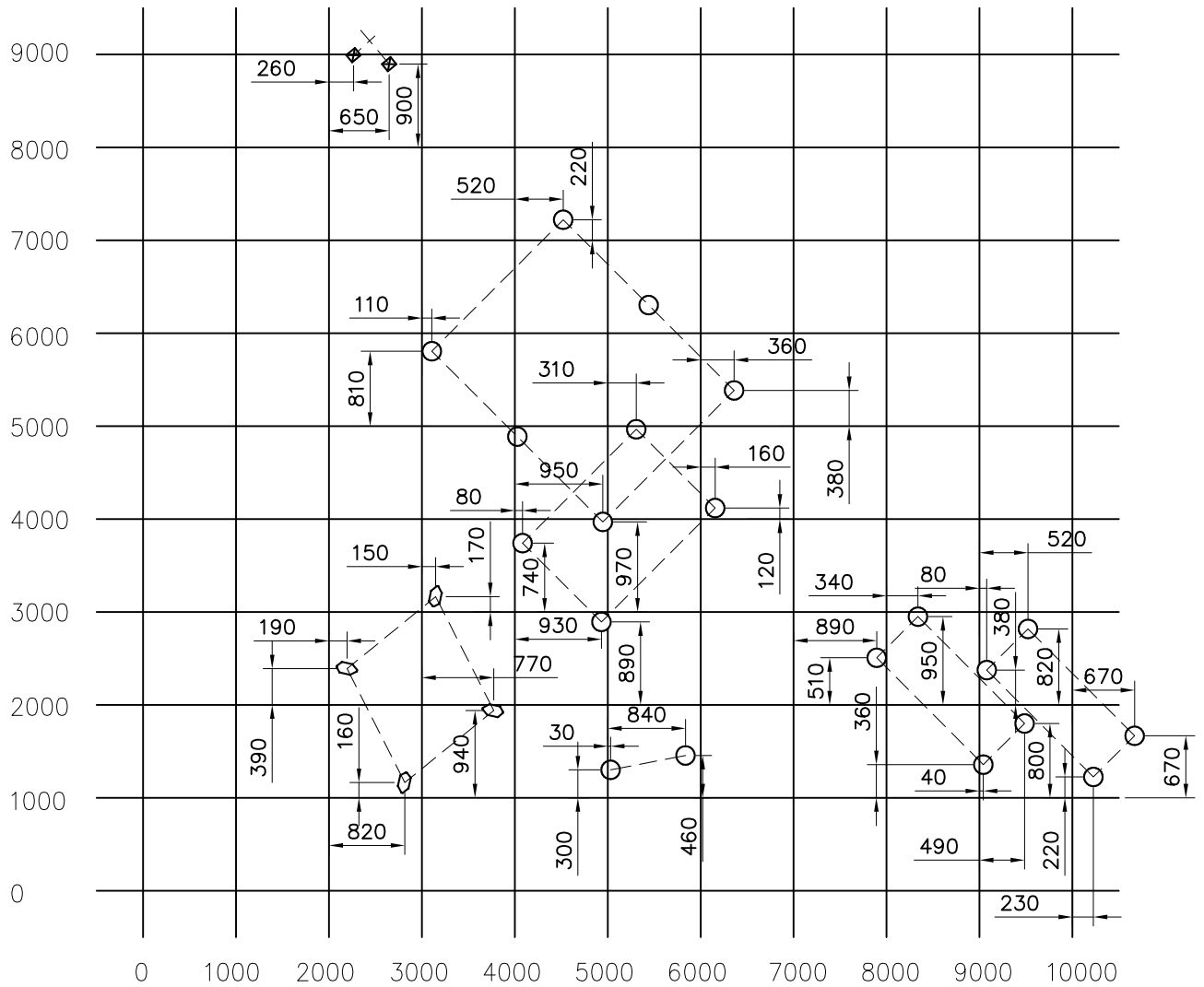
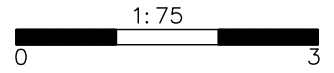
081765M

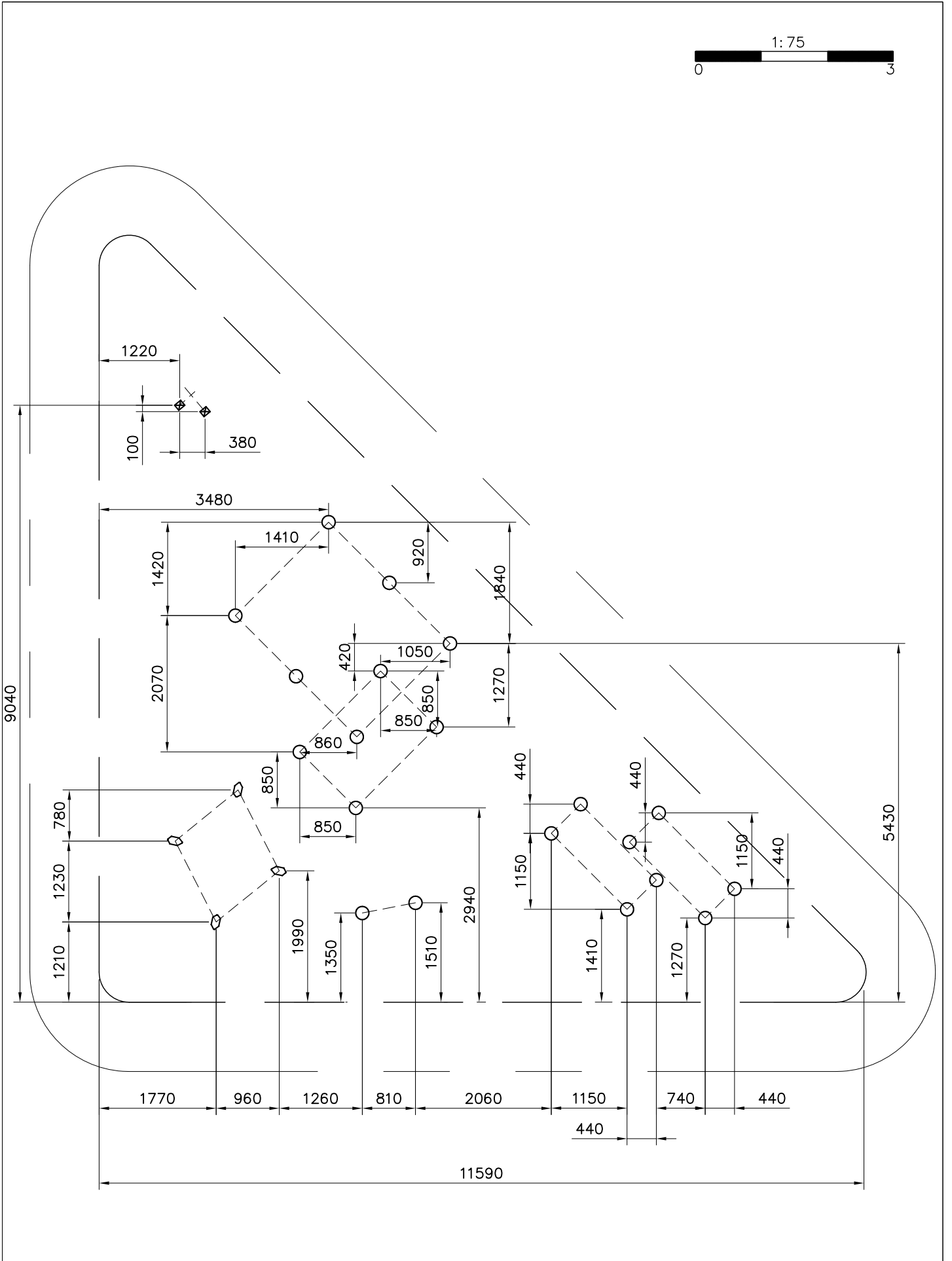
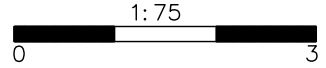
DATE: 7.11.2019

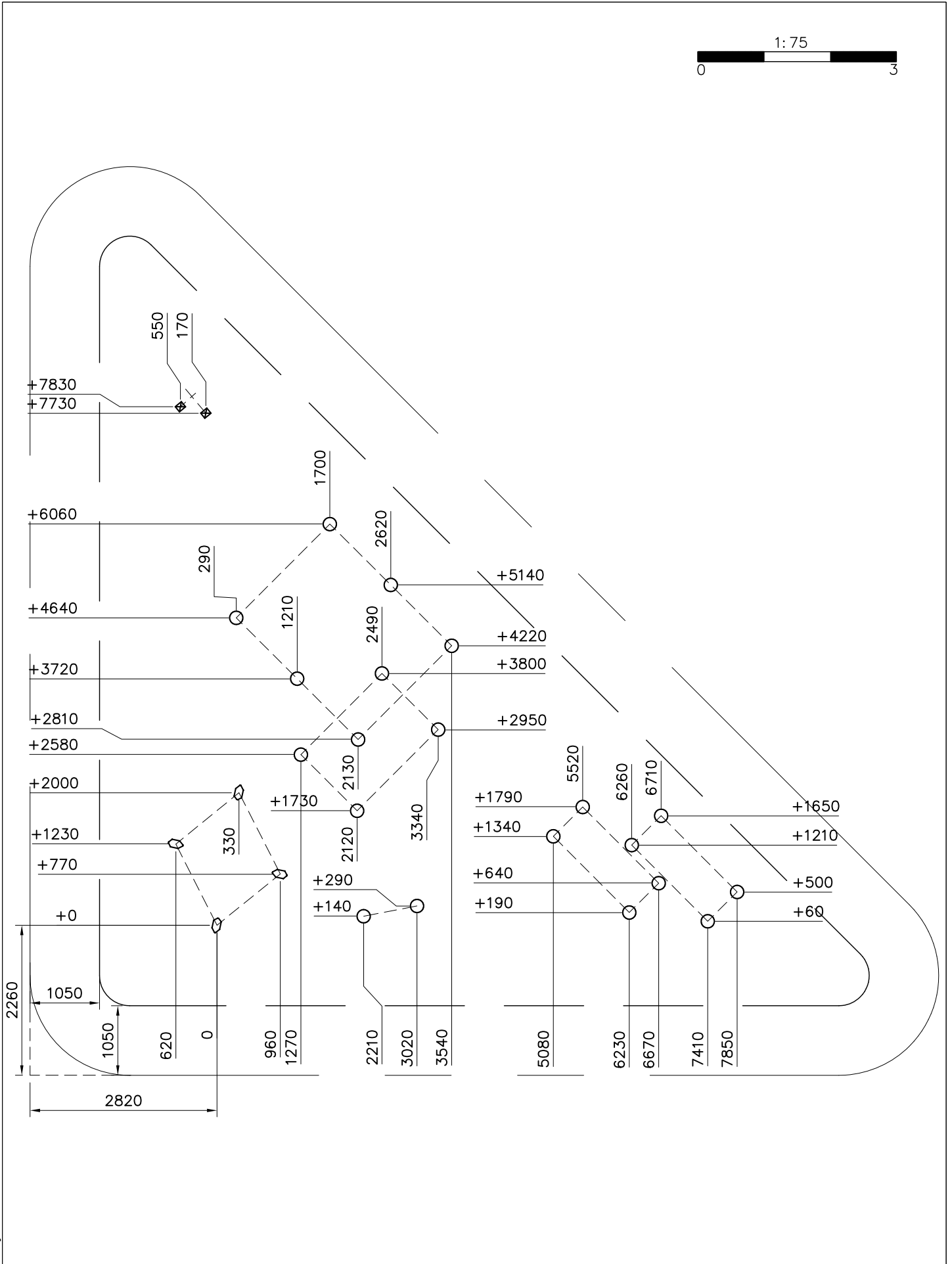


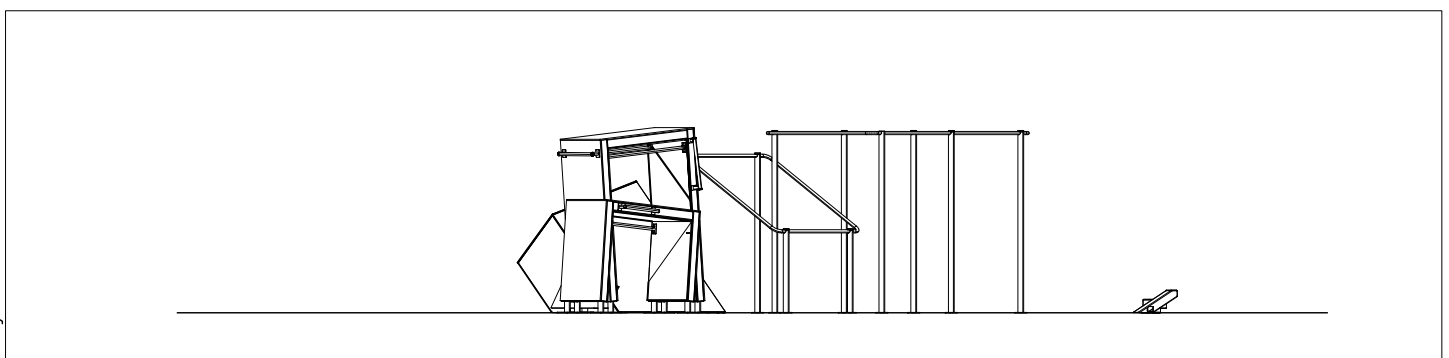
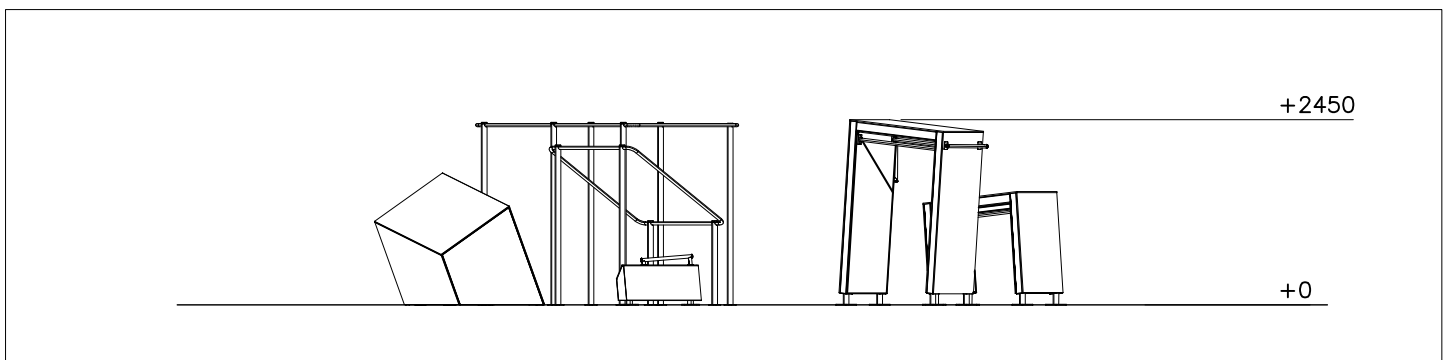
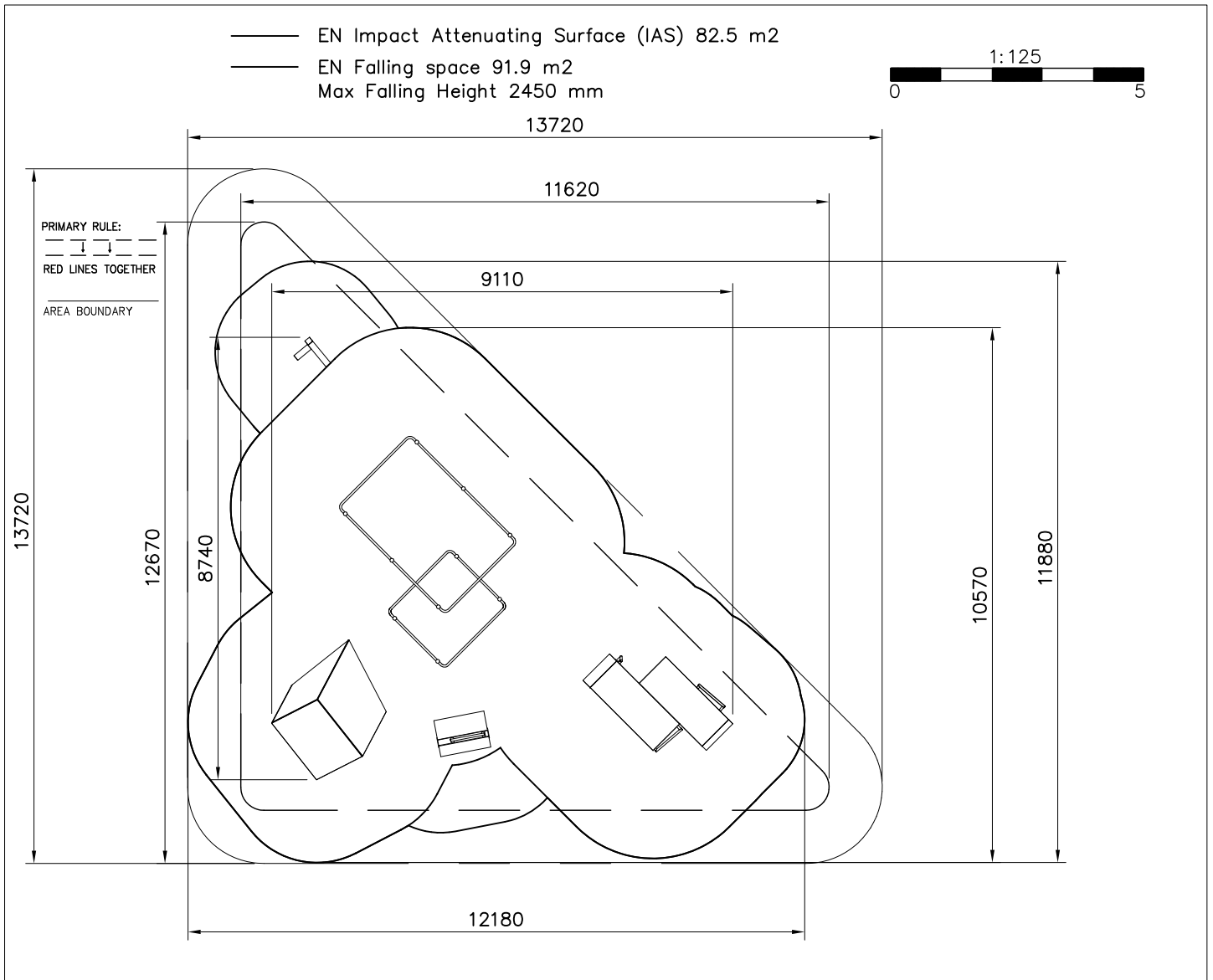
1(1)
3

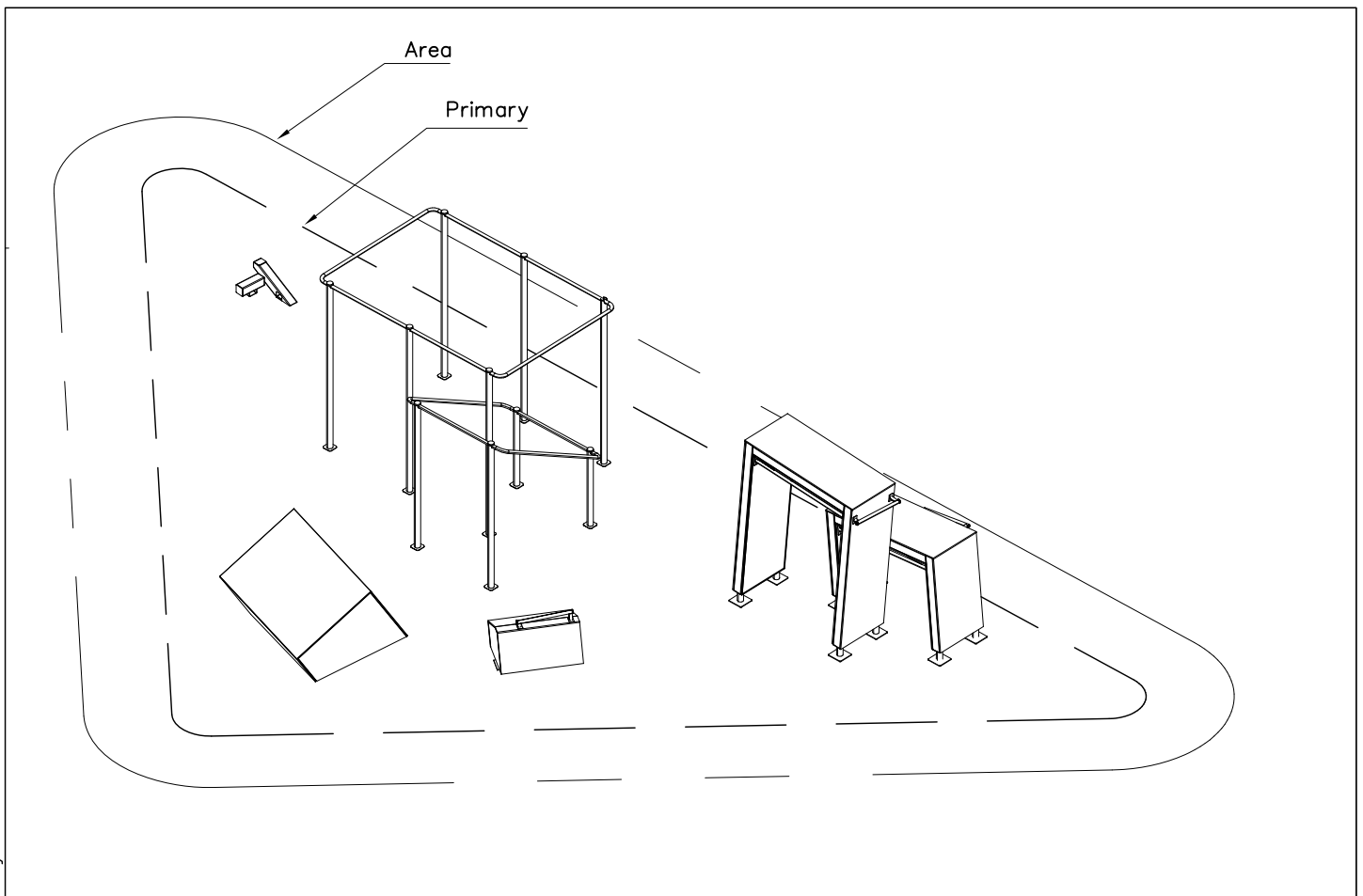
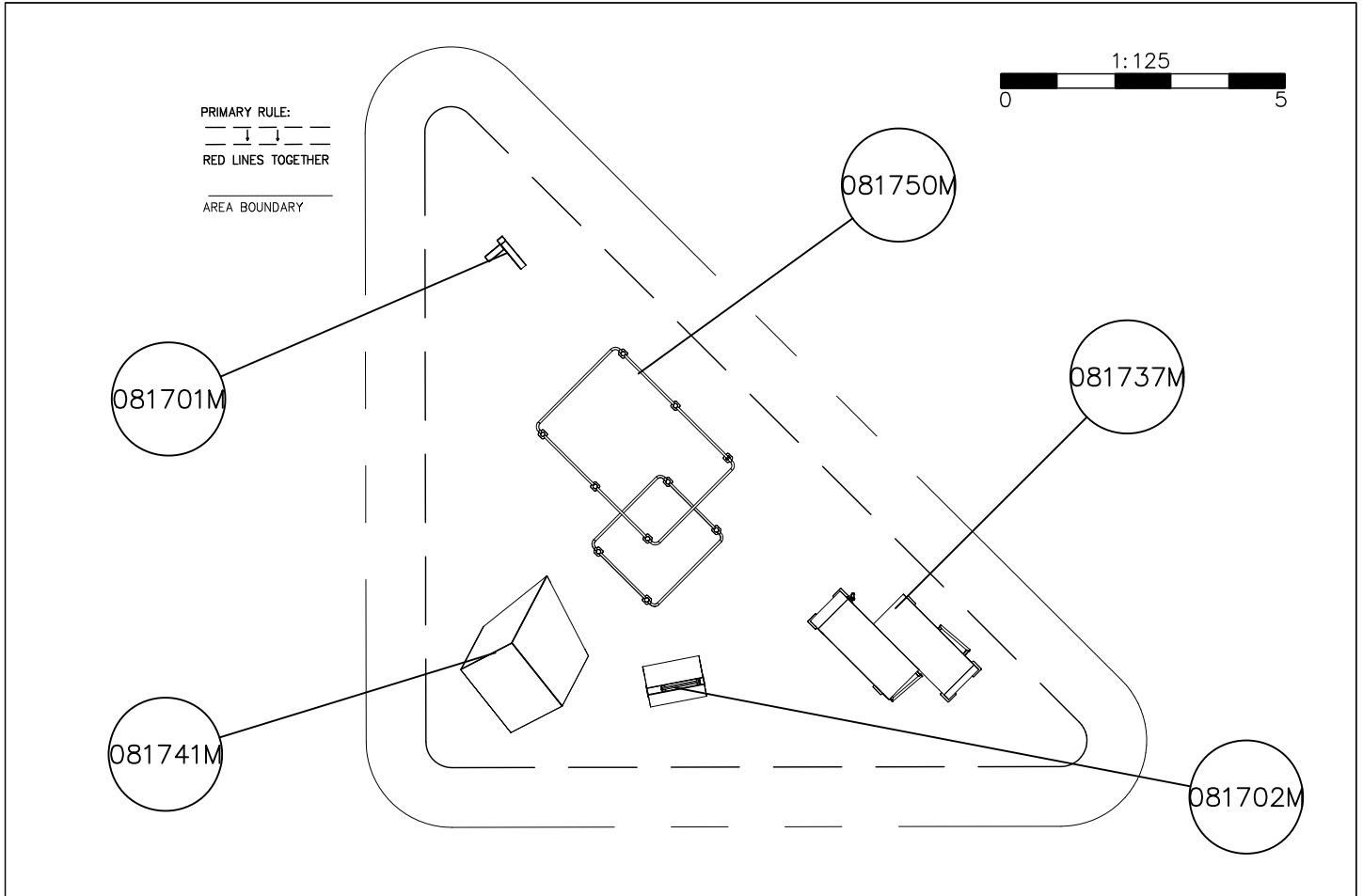
081701M	PCS	081702M	PCS	081737M	PCS	081741M	PCS	081750M	PCS		PCS
	1		1		1		1		1		
											
	PCS		PCS		PCS		PCS		PCS		PCS
	PCS		PCS		PCS		PCS		PCS		PCS
	PCS		PCS		PCS		PCS		PCS		PCS
	PCS		PCS		PCS		PCS		PCS		PCS
	PCS		PCS		PCS		PCS		PCS		PCS

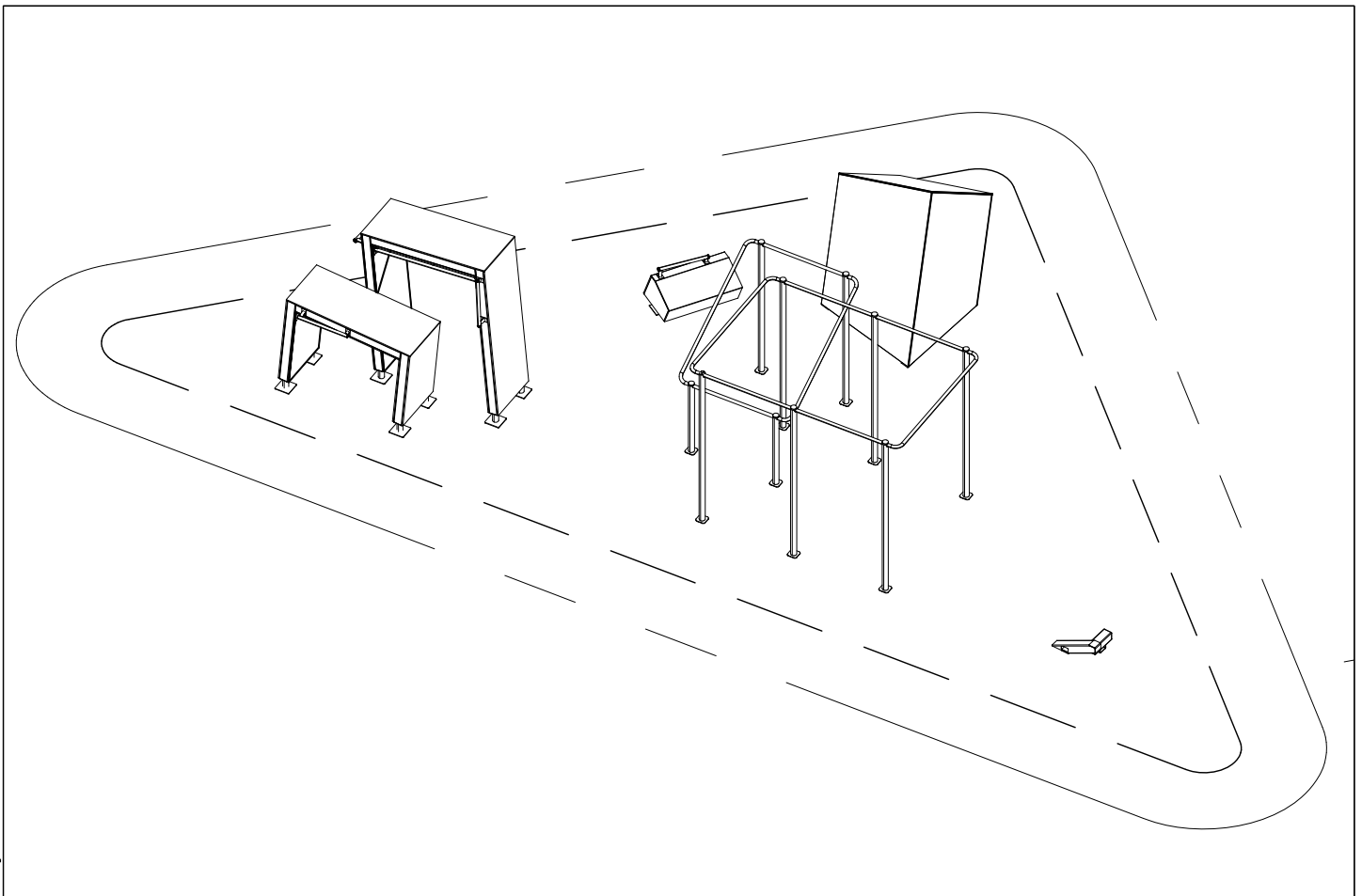
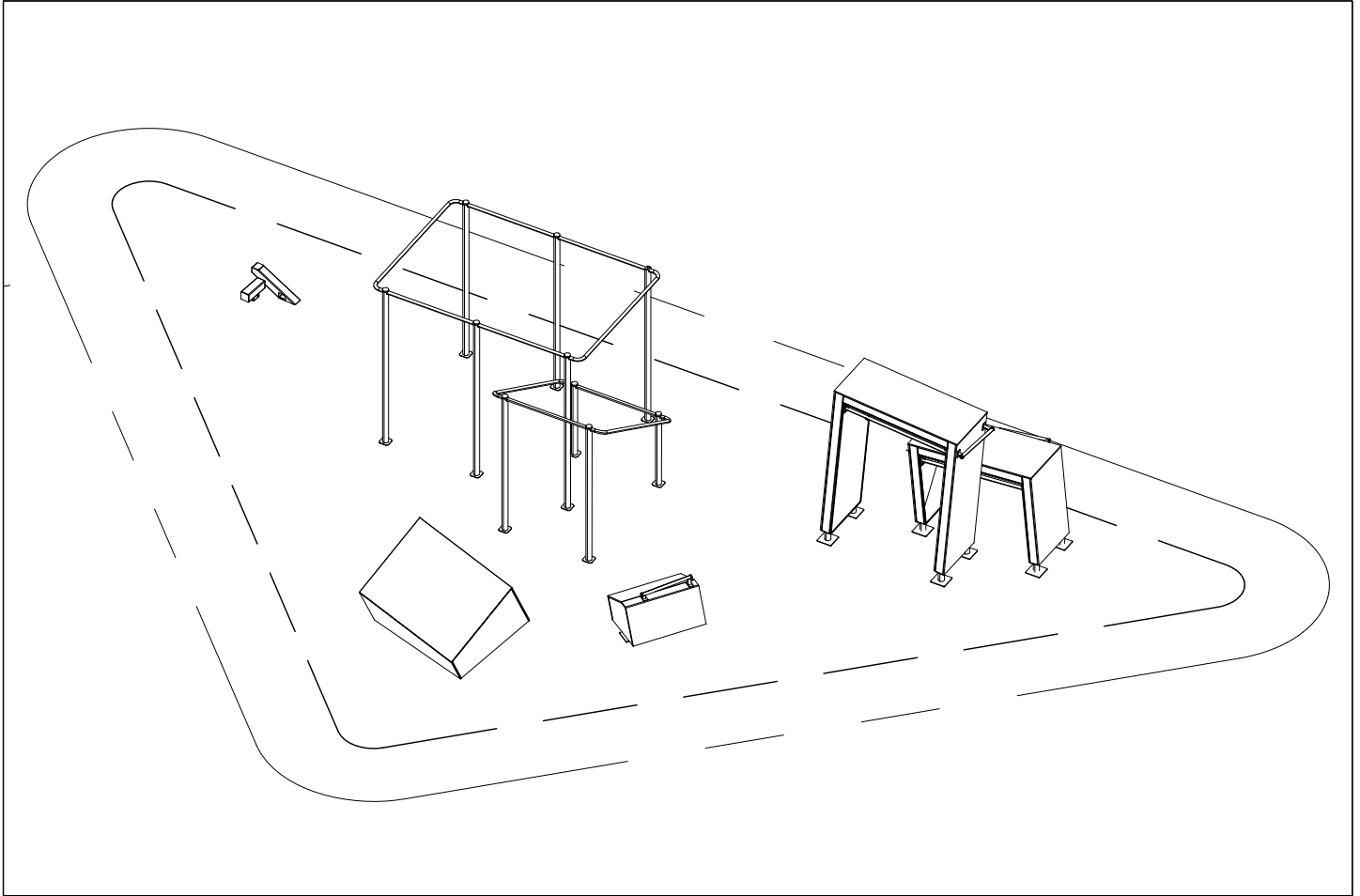


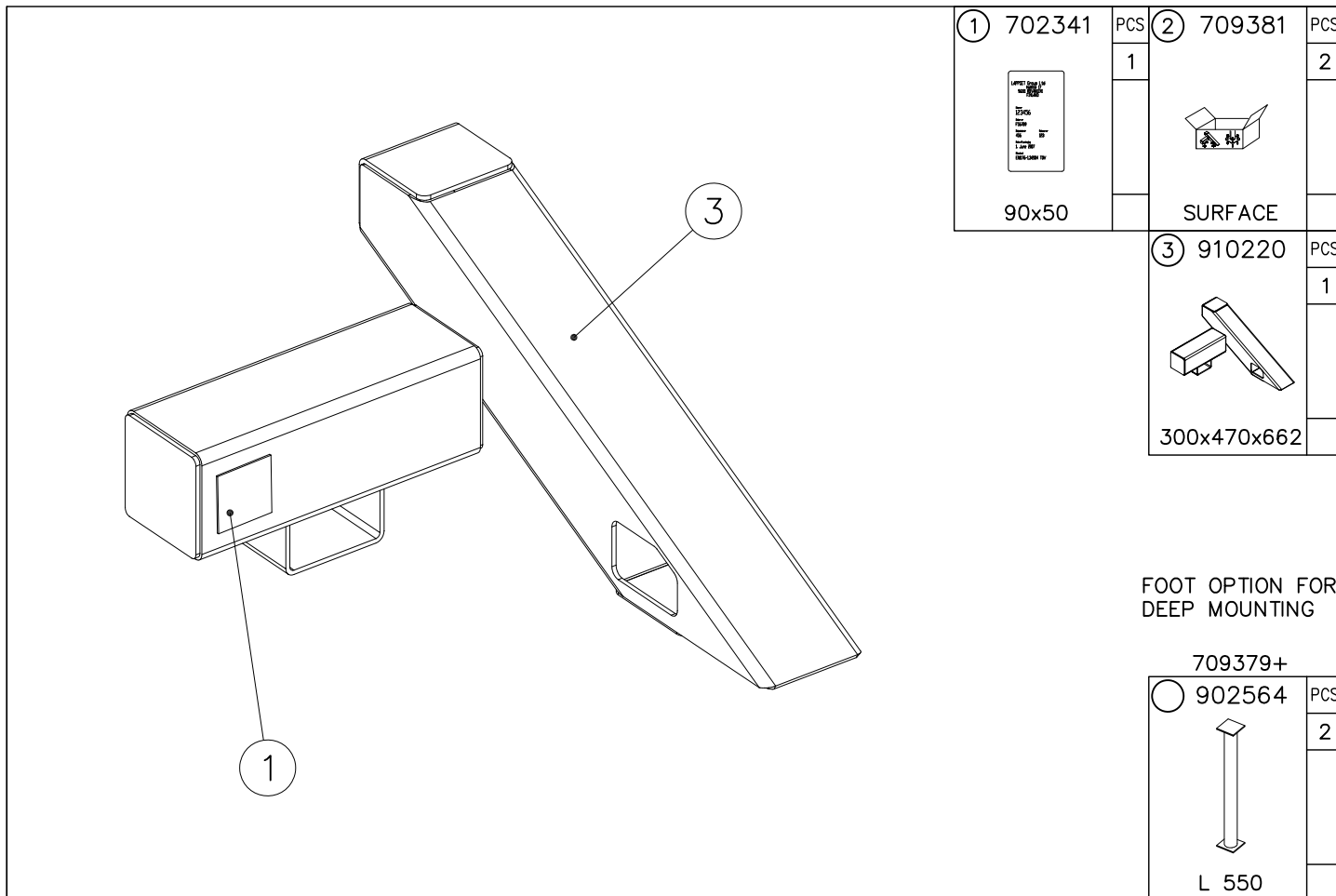




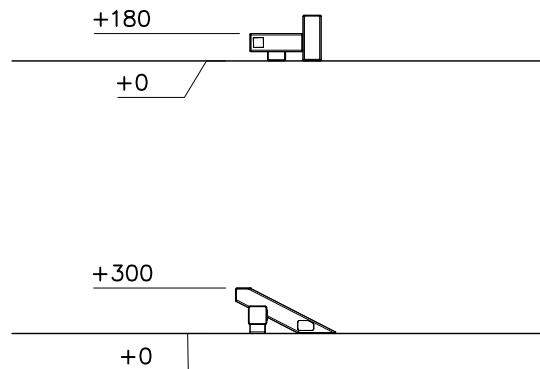
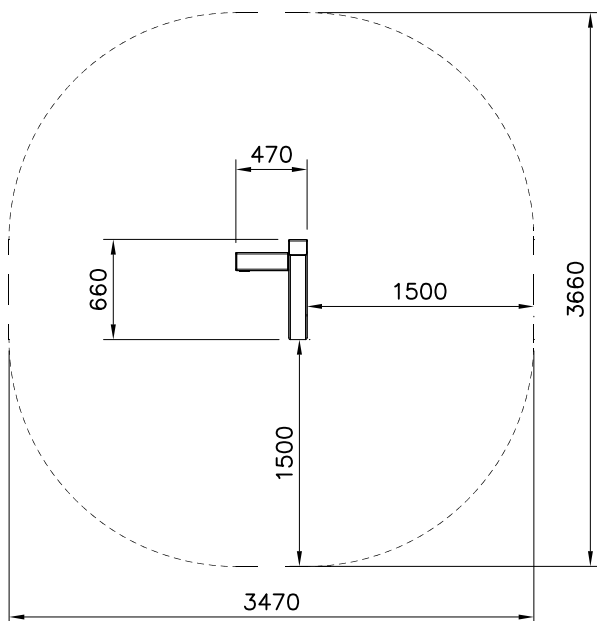
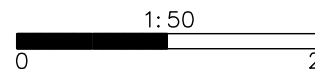


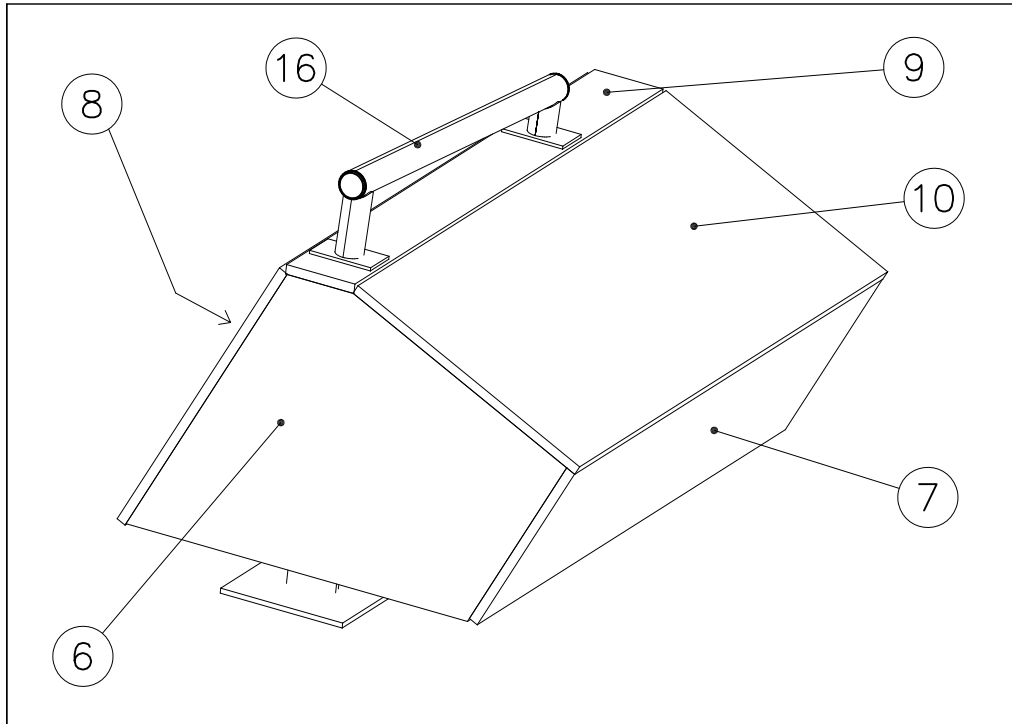


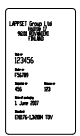


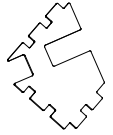
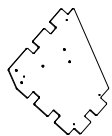
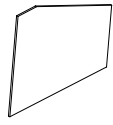


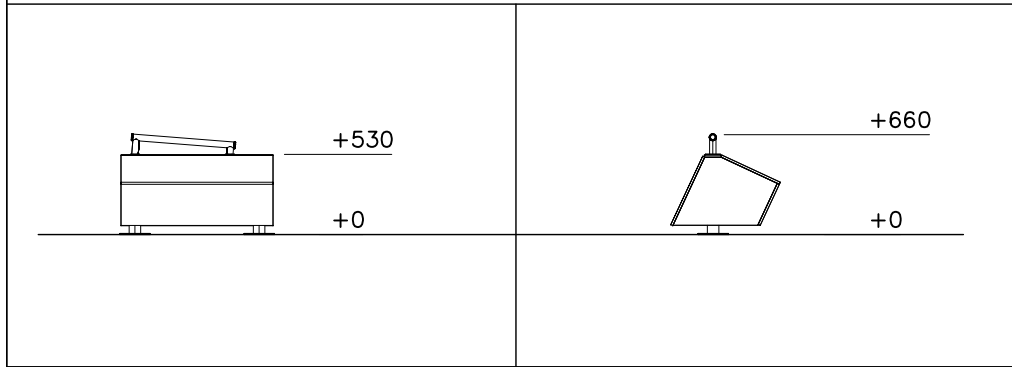


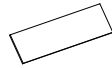


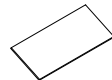
----- Falling Space 10.8 m²
 Max Falling Height 300 mm



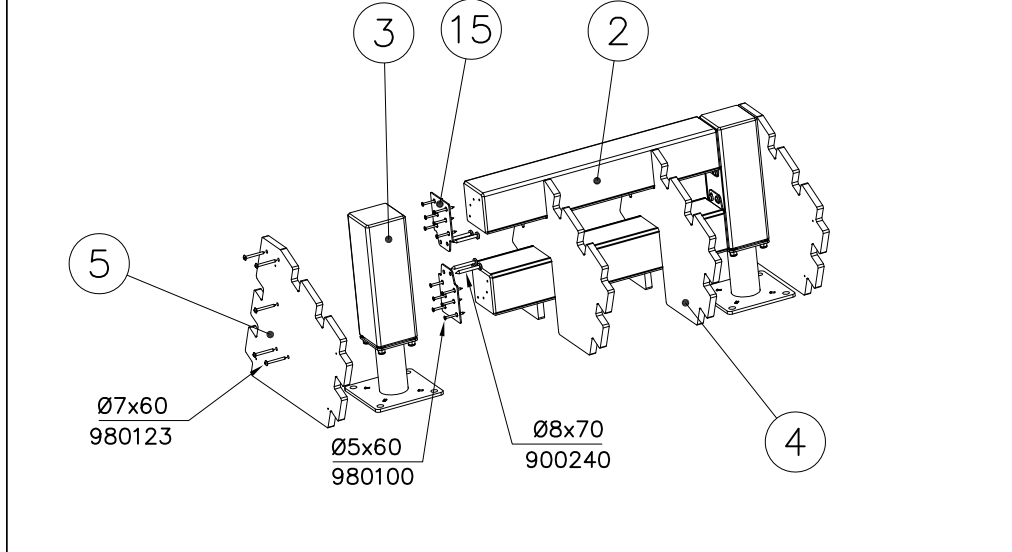






① 702341  90x50	PCS 1	② 708109  118x118x697	PCS 2
③ 708443  118x118x352	PCS 2	④ 708848  18x450x690	PCS 2
⑤ 708849  18x450x690	PCS 2	⑥ 708850  15x450x690	PCS 2

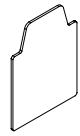
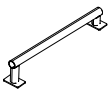






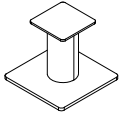

⑦ 708851  15x300x1005	PCS 1	⑧ 708852  15x500x1005	PCS 1
⑨ 708853  15x112x1005	PCS 1	⑩ 708854  15x425x1005	PCS 1

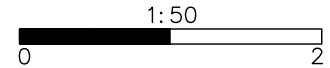
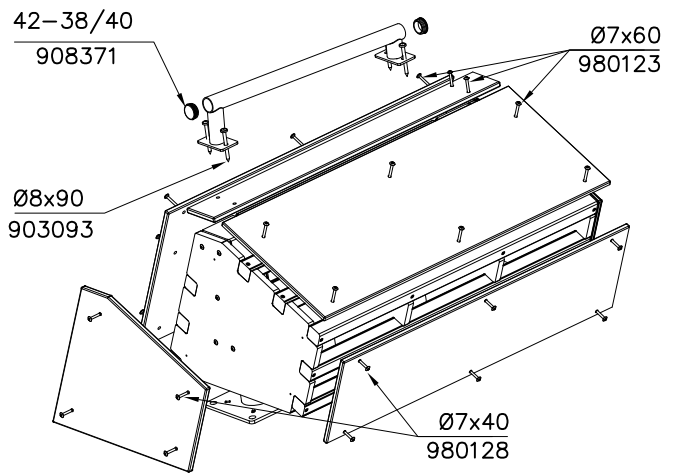
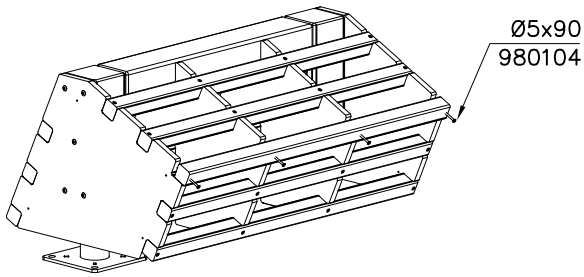
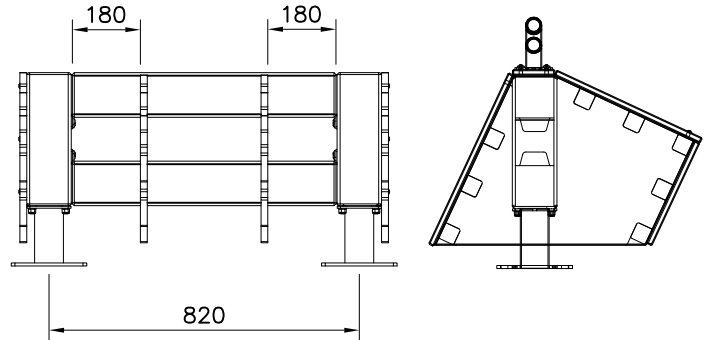
DET 1



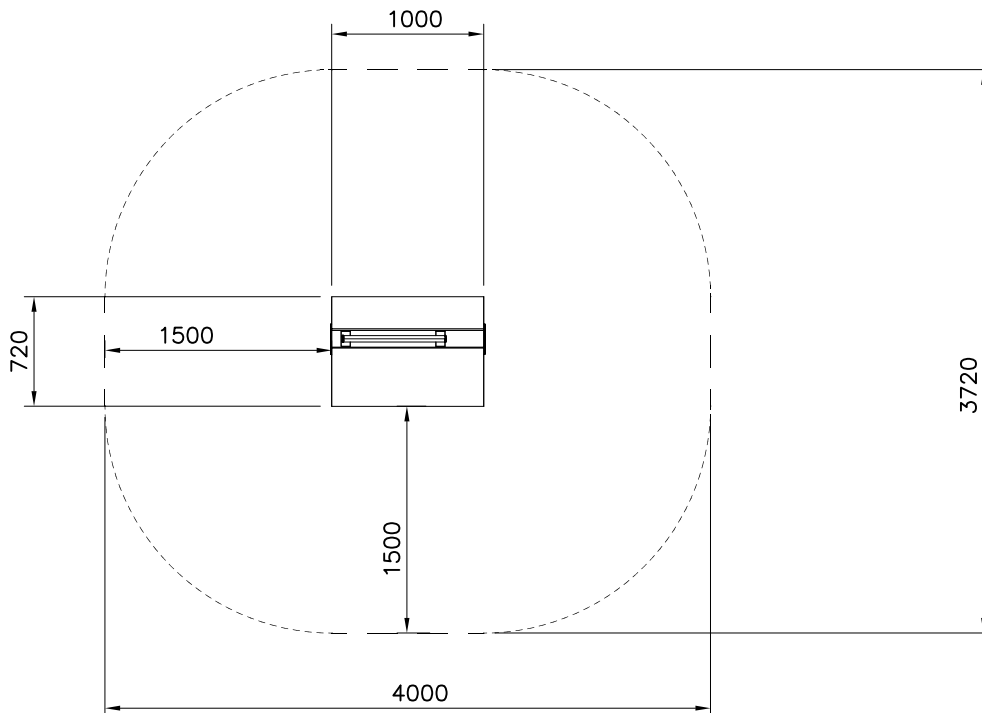
⑪ 708855  45x45x975	PCS 8	⑫ 900240  $\varnothing 8 \times 70$	PCS 8
⑬ 903093  $\varnothing 8 \times 90$	PCS 4	⑭ 908371  42-38/40	PCS 2

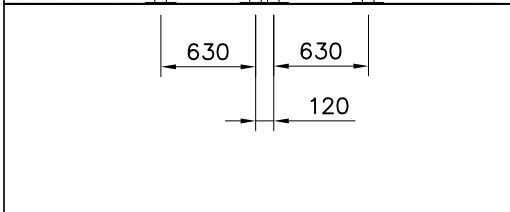
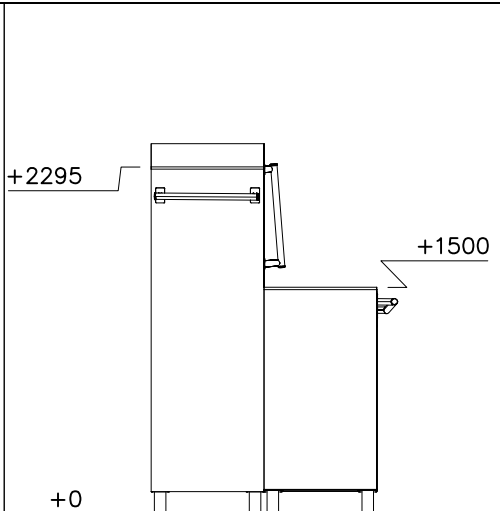
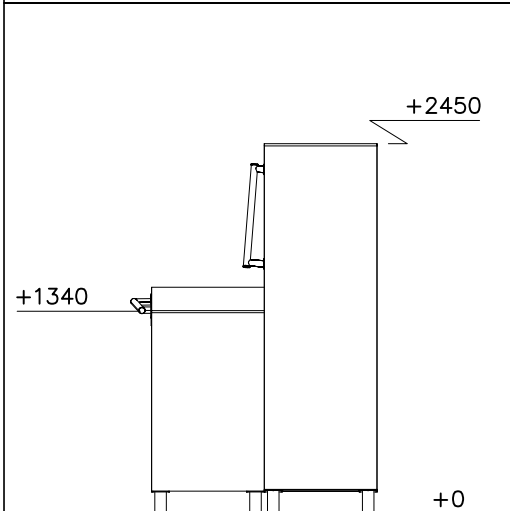
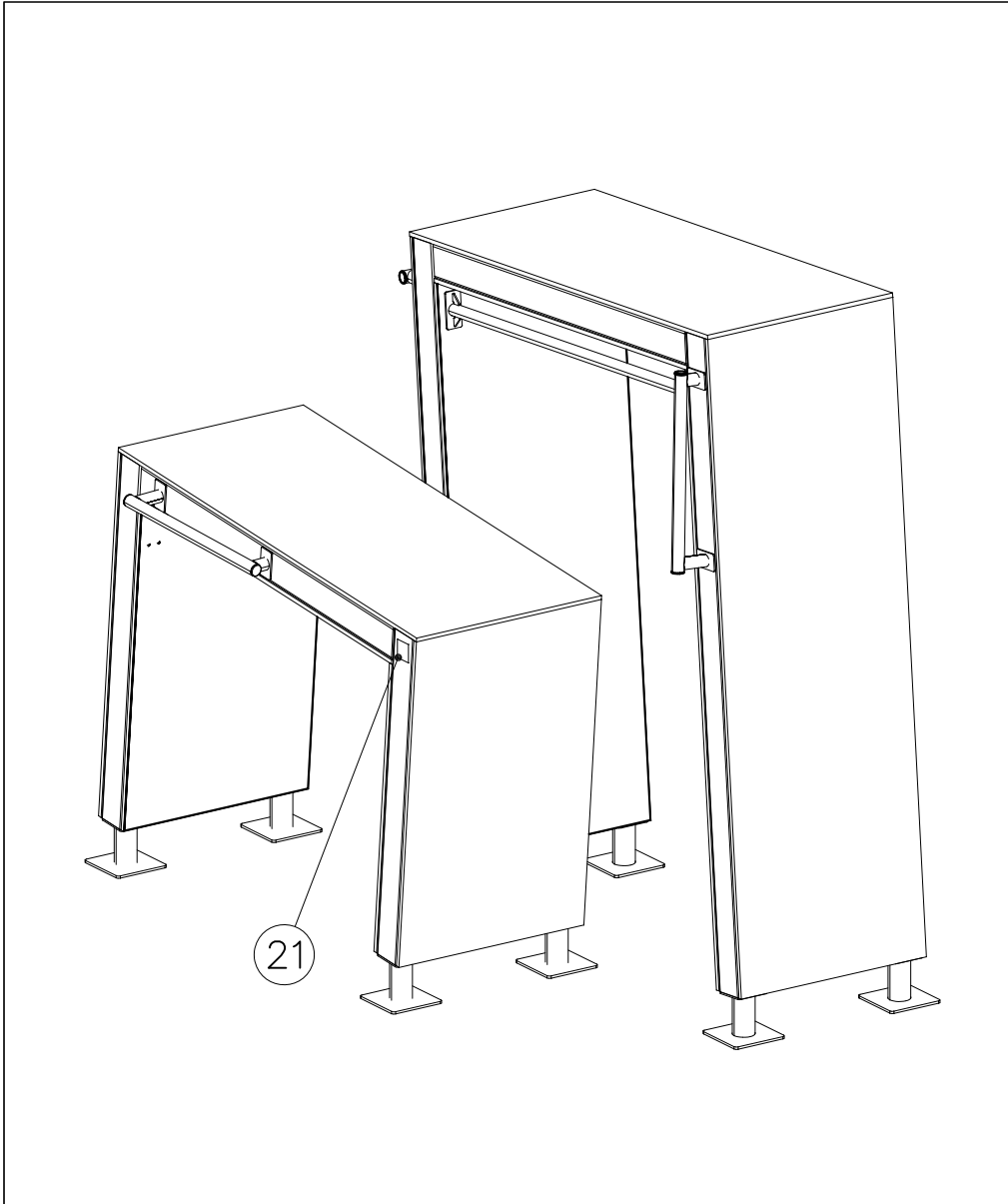
⑮ 908698  3x114x108	PCS 4	⑯ 910056  140x690	PCS 1	⑰ 980100  $\varnothing 5 \times 60$	PCS 24	⑱ 980104  $\varnothing 5 \times 90$	PCS 32	⑲ 980123  $\varnothing 7 \times 60$	PCS 27	⑳ 980128  $\varnothing 7 \times 40$	PCS 14
--	----------	--	----------	--	-----------	---	-----------	--	-----------	--	-----------

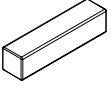





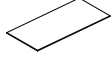
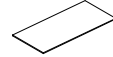
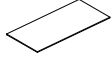

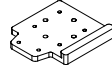



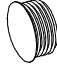

709261+		709262+	
○ 910330	PCS	○ 910567	PCS
SURFACE	2	CONCRETE	2
			
152x200x200		117x117x715	


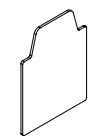
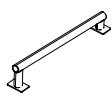
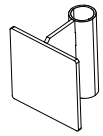





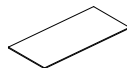
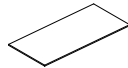
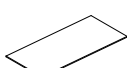
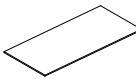
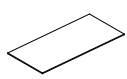
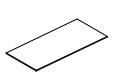




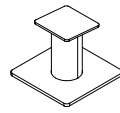

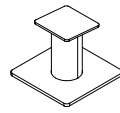

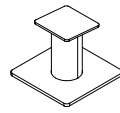



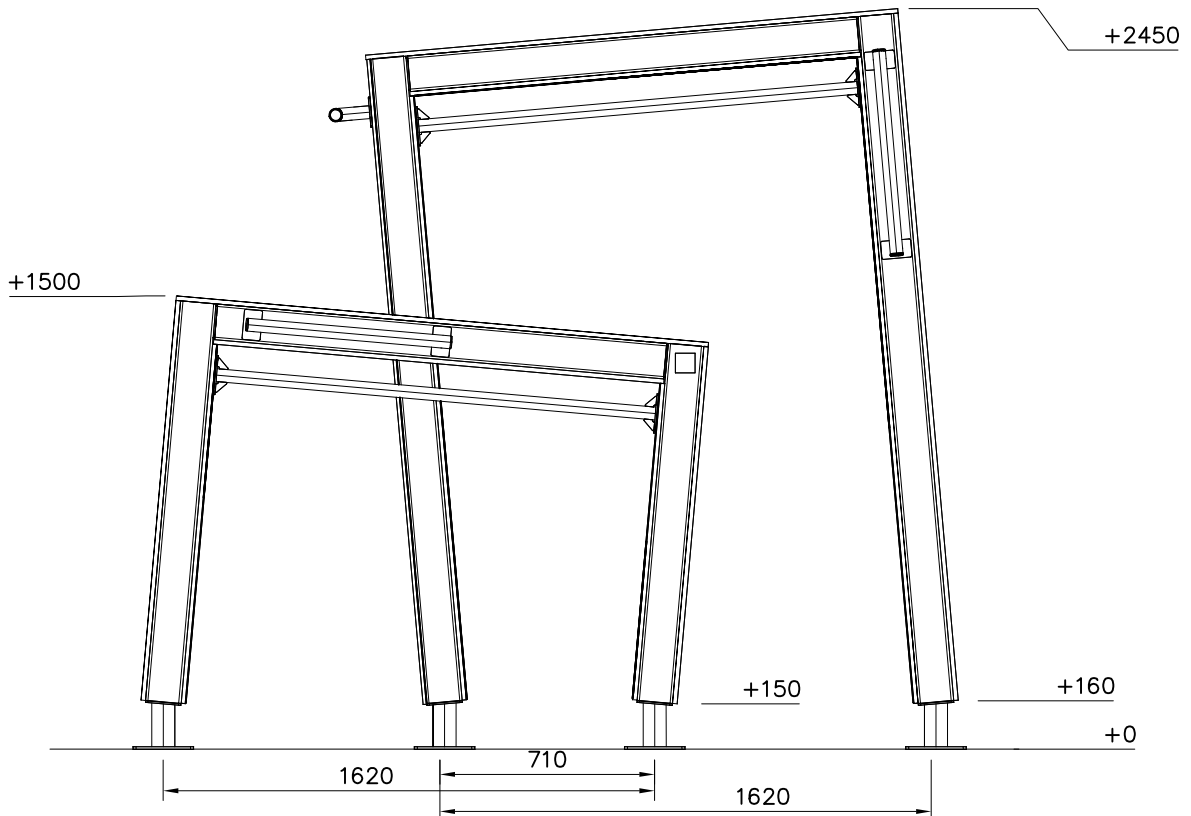
----- Falling Space 13 m²
 Max Falling Height 660 mm



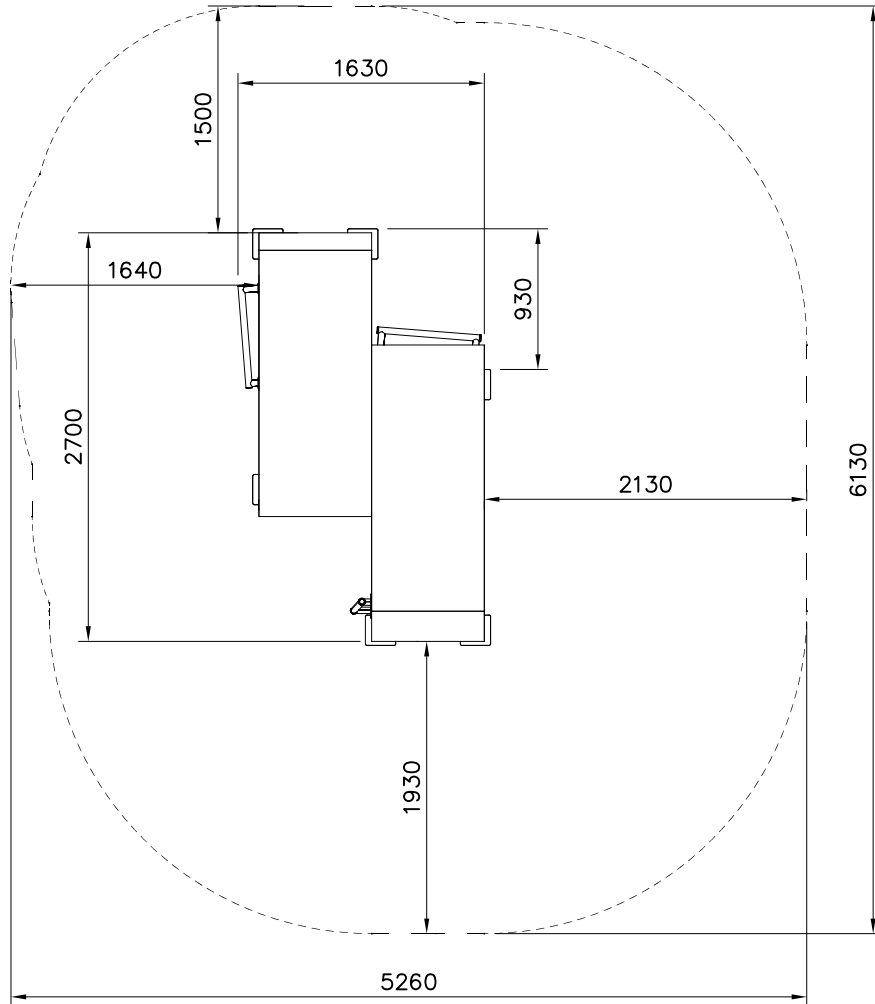
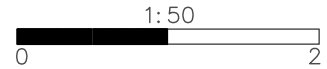


① 707210  118x118x503	PCS 8	② 707213  118x118x1490	PCS 4
③ 708042  118x118x1185	PCS 2	④ 708125  118x118x1326	PCS 2
⑤ 708522  118x118x2139	PCS 2	⑥ 708688  118x118x2279	PCS 2
⑦ 708721  15x745x1766	PCS 2	⑧ 708722  15x745x2280	PCS 1
⑨ 708723  15x745x1185	PCS 1	⑩ 708724  15x745x1326	PCS 1
⑪ 708857 JIG  20x133x149	PCS 1	⑫ 900240  Ø8x70	PCS 100
⑬ 903093  Ø8x90	PCS 16	⑭ 903533  SRL12	PCS 6
⑮ 905103  PT-28/32-H	PCS 16	⑯ 905112  Ø22	PCS 16

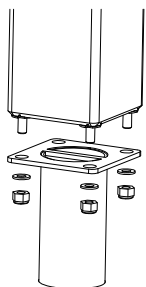
<p>⑰ 908371 PCS 6</p>  <p>42-38/40</p>	<p>⑱ 908698 PCS 16</p>  <p>3x114x108</p>	<p>⑲ 910056 PCS 3</p>  <p>140x690</p>	<p>⑳ 910266 PCS 8</p>  <p>90x108x118</p>	<p>㉑ 702286 PCS 1</p>  <p>65x65</p>	<p>㉒ 910328 PCS 3</p>  <p>L 1466</p>		
<p>㉓ 980100 PCS 96</p>  <p>Ø5x60</p>	<p>㉔ 980123 PCS 106</p>  <p>Ø7x60</p>	<p>㉕ 911297 MURAL PCS 1</p>  <p>12x745x2140</p>	<p>㉖ 911293 COLOR PCS 1</p>  <p>15x745x2145</p>	<p>㉗ 911295 COLOR PCS 1</p>  <p>15x745x2004</p>	<p>㉘ 911301 COLOR PCS 1</p>  <p>15x745x1495</p>		
<p>㉙ 911103 COLOR PCS 1</p>  <p>15x745x1495</p>	<p>㉚ 911305 COLOR PCS 1</p>  <p>15x745x1192</p>	<p>㉛ 911307 COLOR PCS 1</p>  <p>15x745x1050</p>	<p>㉜ 905086 PCS 2</p>  <p>31 Ø44/13.5x3.9</p>	<p>㉝ 909132 PCS 1</p>  <p>M12x280</p>	<p>㉞ 909248 PCS 1</p>  <p>M12</p>		
<p>㉟ 980114 PCS 4</p>  <p>Ø4x20</p>	<p>FOOT OPTIONS</p> <p>709261+ 709262+</p> <table border="1"> <tbody> <tr> <td> <p>○ 910267 SURFACE PCS 8</p>  <p>152x200x200</p> </td> <td> <p>○ 910567 CONCRETE PCS 8</p>  <p>117x117x715</p> </td> </tr> </tbody> </table>					<p>○ 910267 SURFACE PCS 8</p>  <p>152x200x200</p>	<p>○ 910567 CONCRETE PCS 8</p>  <p>117x117x715</p>
<p>○ 910267 SURFACE PCS 8</p>  <p>152x200x200</p>	<p>○ 910567 CONCRETE PCS 8</p>  <p>117x117x715</p>						



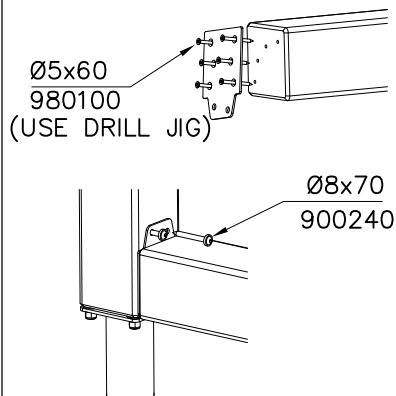
- EN Impact Attenuating Surface (IAS) 27.6 m²
- - - - Falling Space 27.6 m²
- Max Falling Height 2450 mm



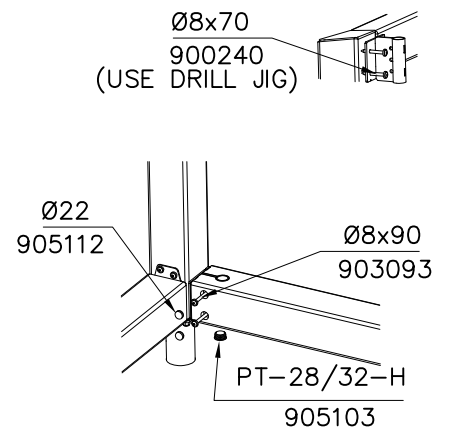
DET 1



DET 2



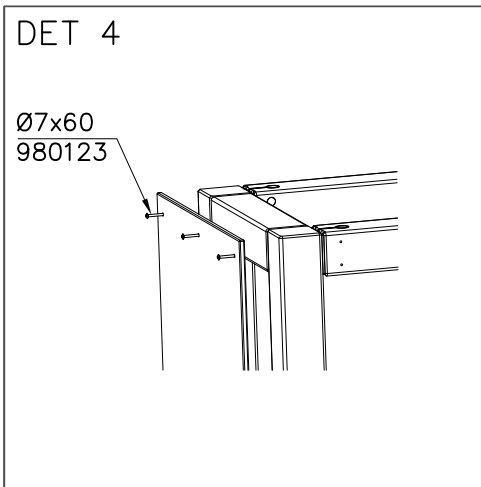
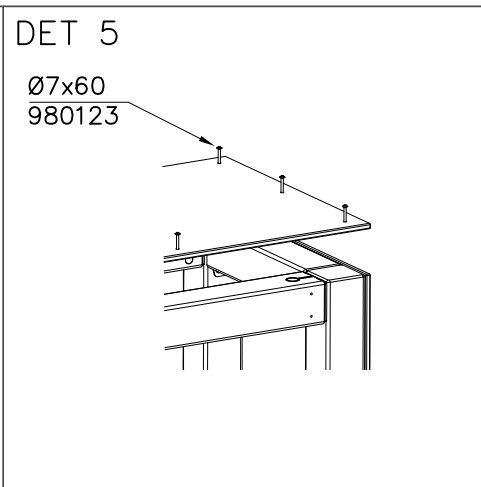
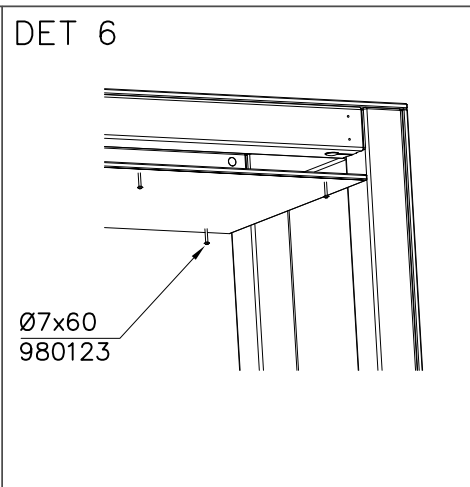
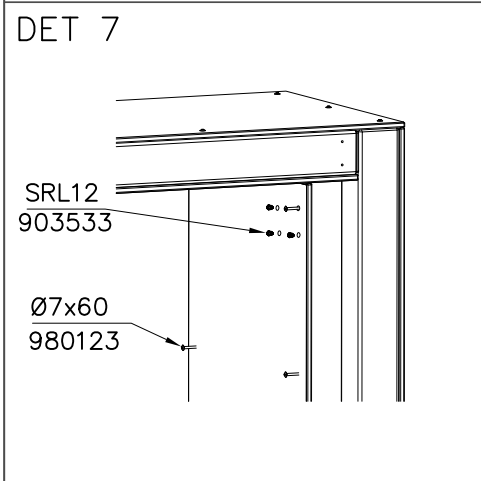
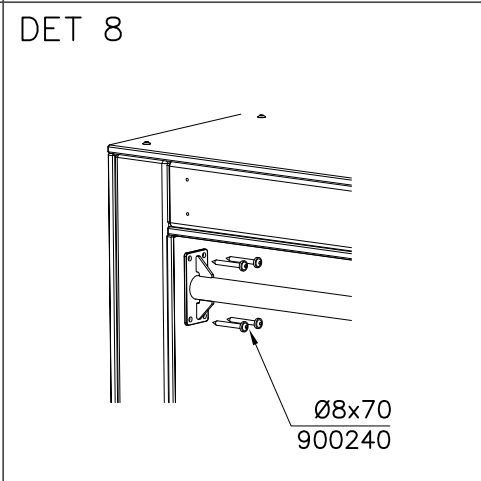

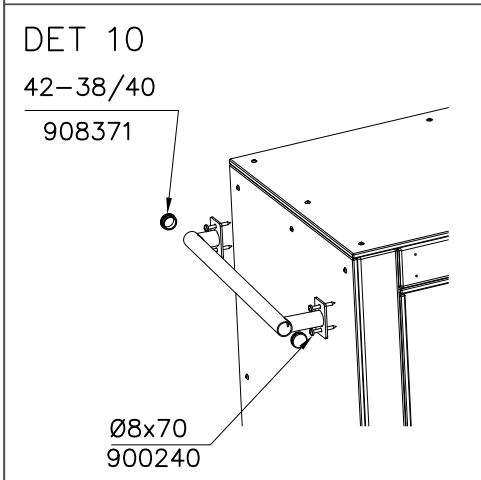
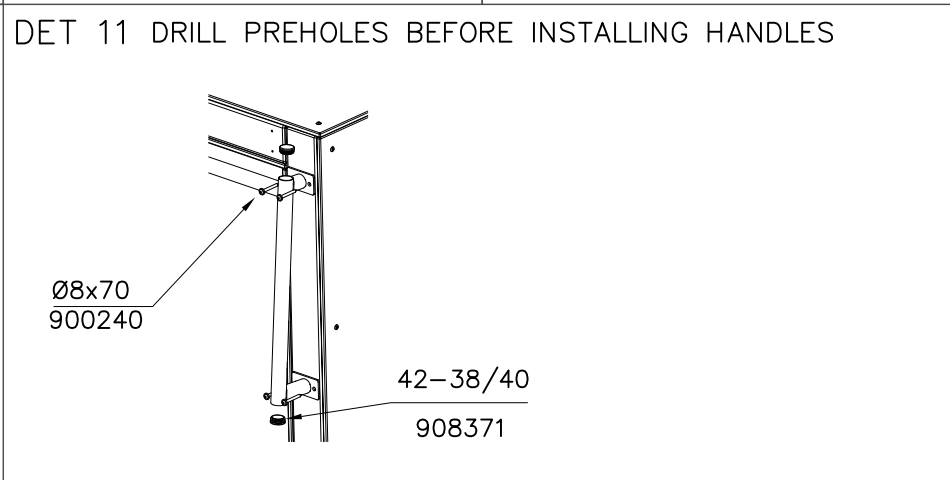
DET 3

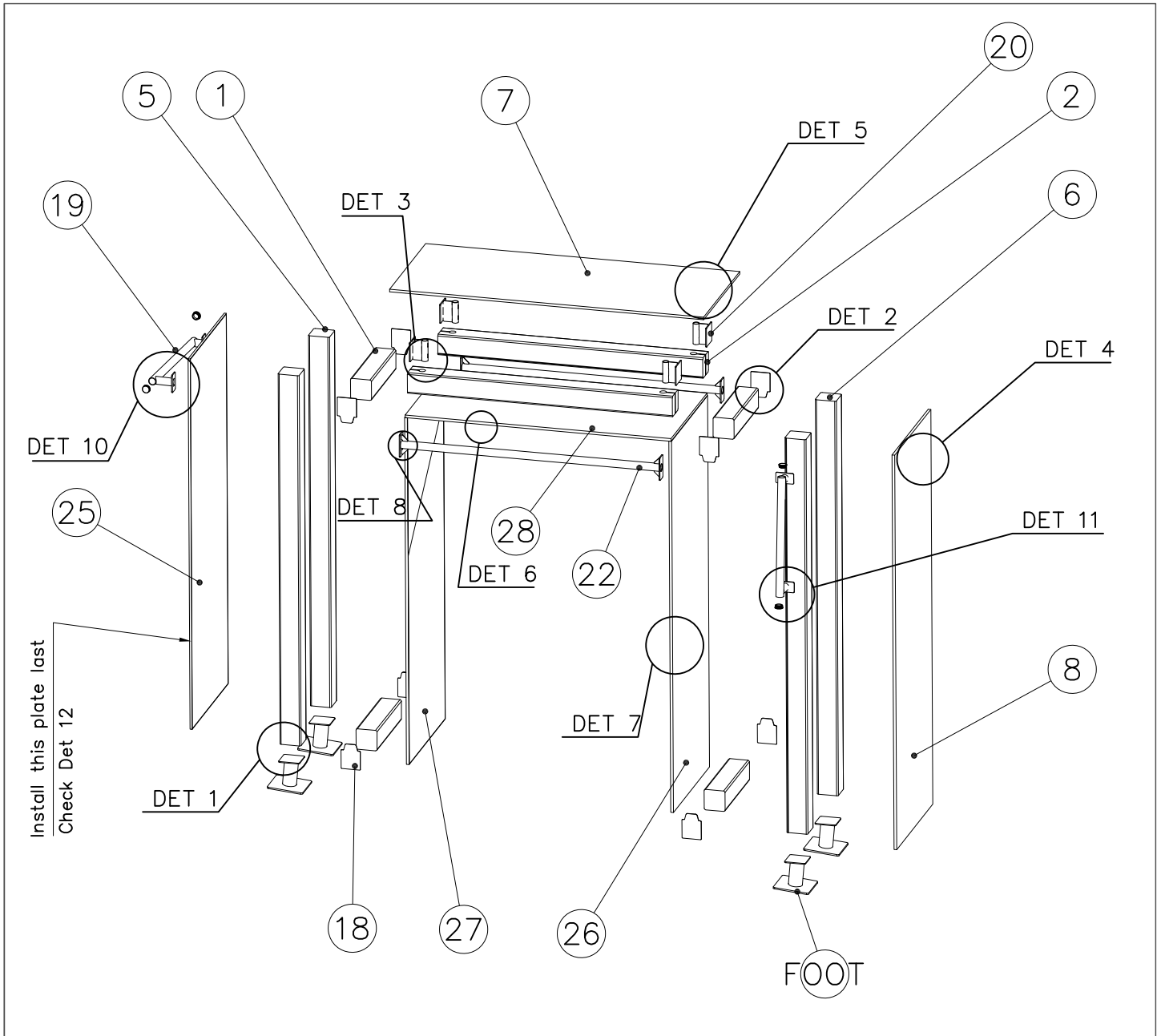


081737M

DATE: 20.4.2020

4(6)

<p>DET 4</p>  <p>Ø7x60 980123</p>	<p>DET 5</p>  <p>Ø7x60 980123</p>	<p>DET 6</p>  <p>Ø7x60 980123</p>
<p>DET 7</p>  <p>SRL12 903533</p> <p>Ø7x60 980123</p>	<p>DET 8</p>  <p>Ø8x70 900240</p>	<p>DET 9 DRILL PREHOLES Ø6mm BEFORE INSTALLING HANDLES</p>  <p>42-38/40 908371</p> <p>Ø8x70 900240</p>
<p>DET 10</p>  <p>42-38/40 908371</p> <p>Ø8x70 900240</p>	<p>DET 11 DRILL PREHOLES BEFORE INSTALLING HANDLES</p>  <p>Ø8x70 900240</p> <p>42-38/40 908371</p>	



JIG DET A (USE DET 2-3)

NOTE:

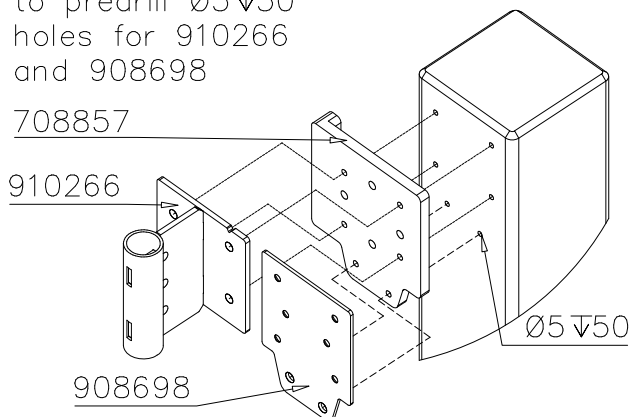
Use drill jig 708857 to predrill $\text{Ø}5 \nabla 50$ holes for 910266 and 908698

708857

910266

908698

$\text{Ø}5 \nabla 50$



JIG DET B (USE DET 11)

Plywood

Frame

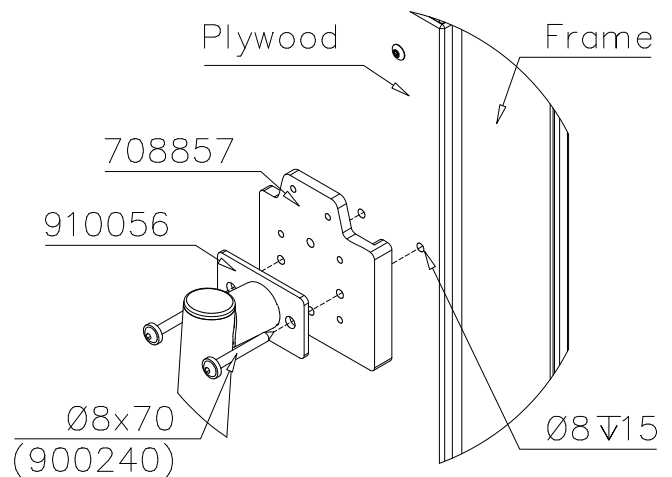
708857

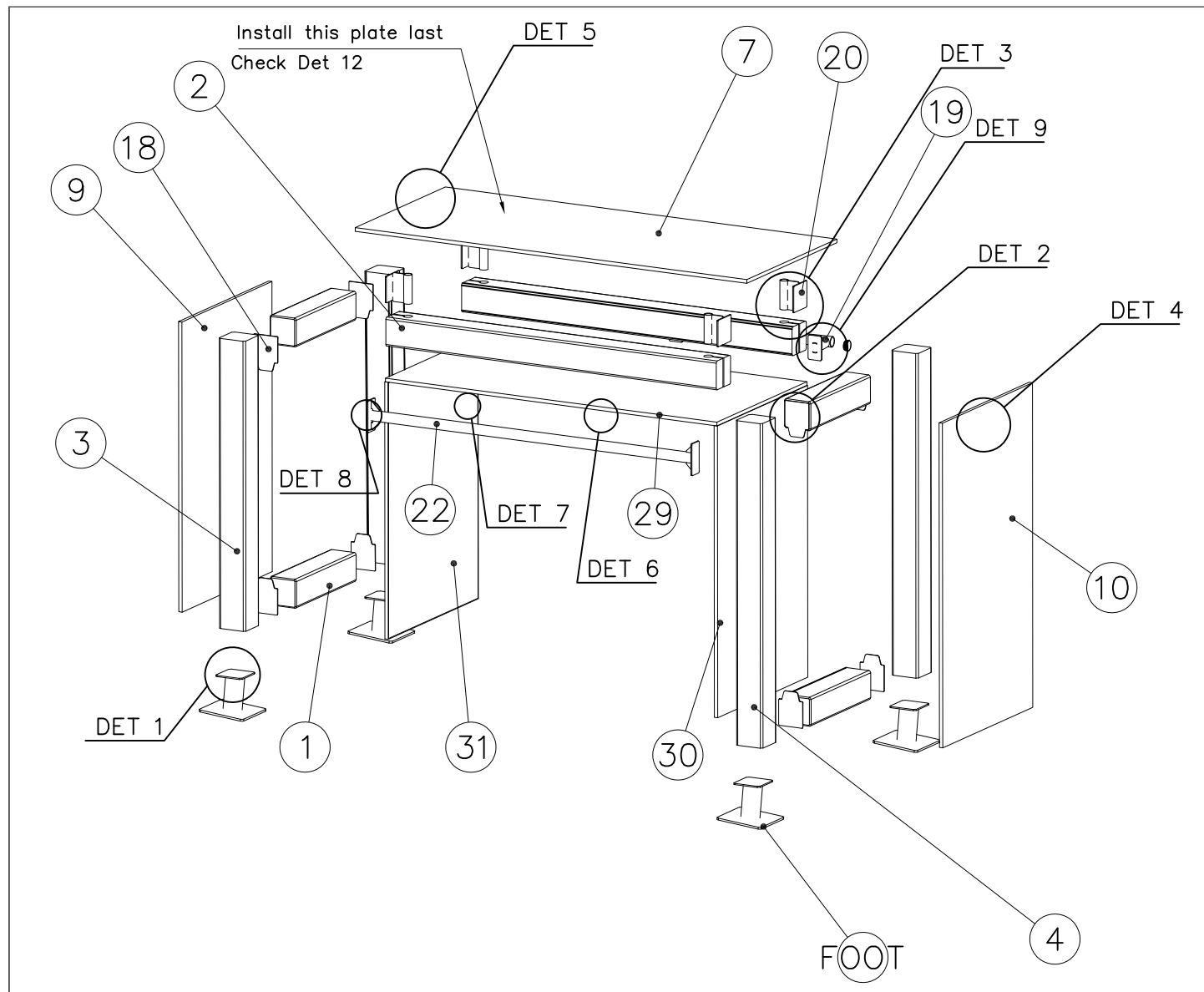
910056

$\text{Ø}8 \times 70$

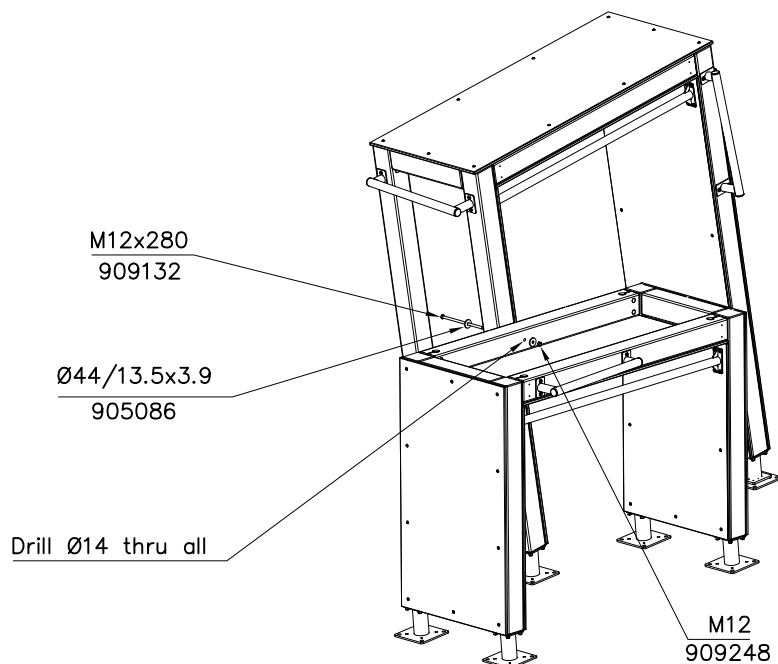
(900240)

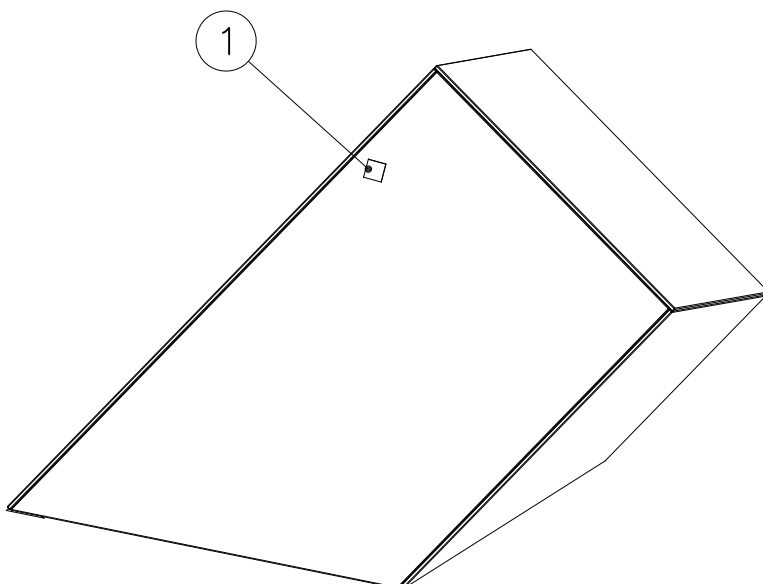

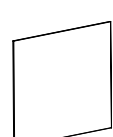
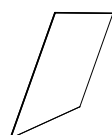
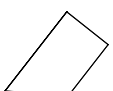

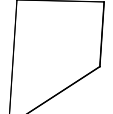


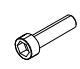

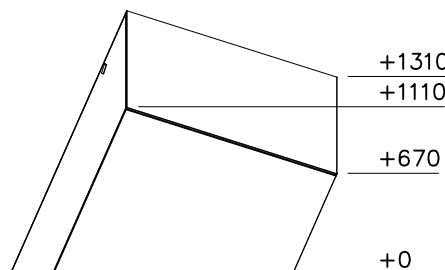
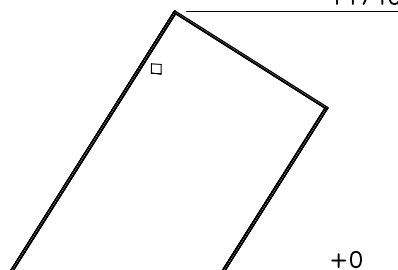
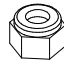


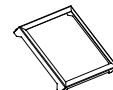
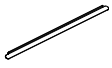
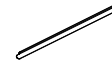

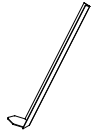

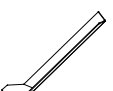
$\text{Ø}8 \nabla 15$



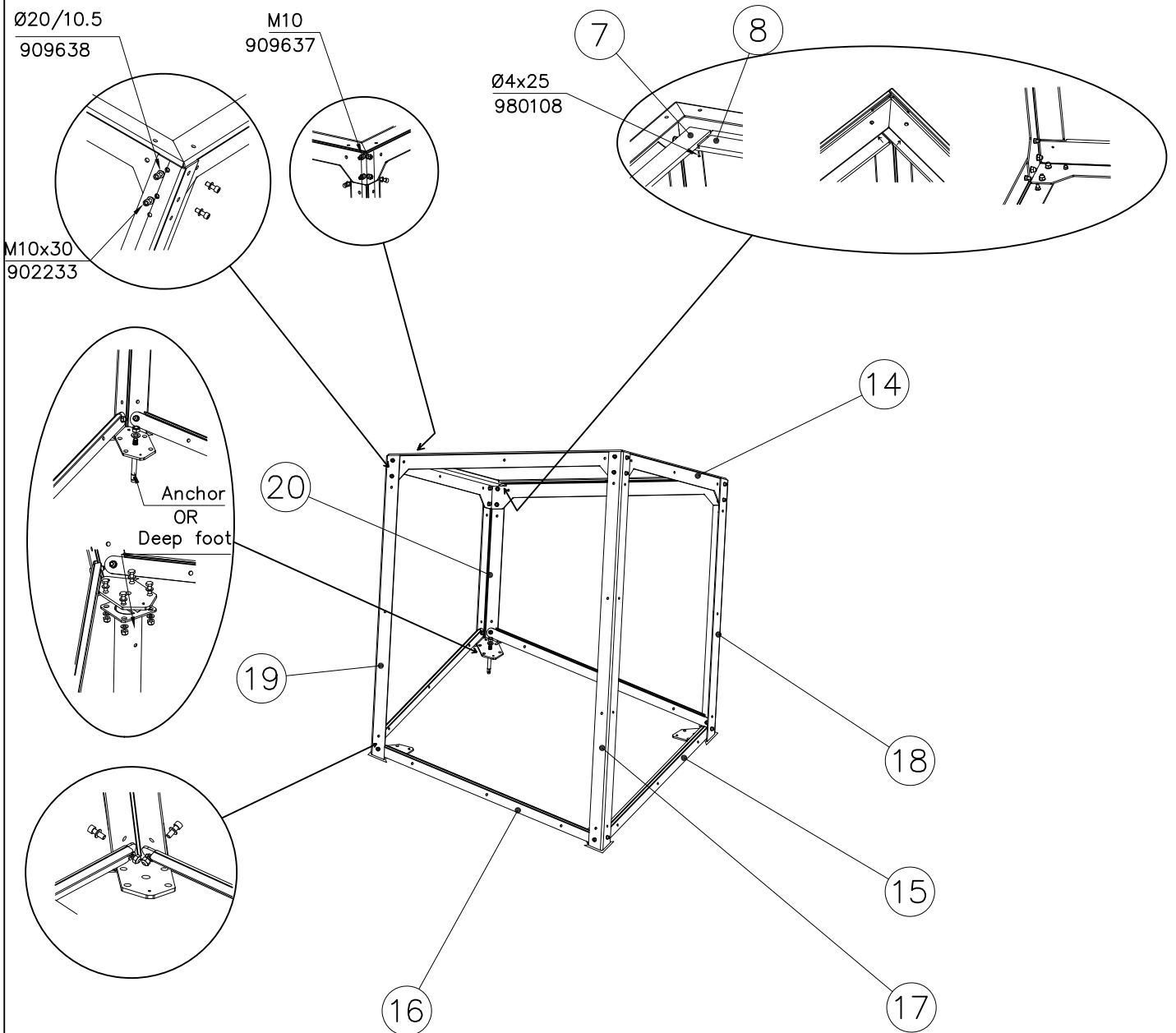


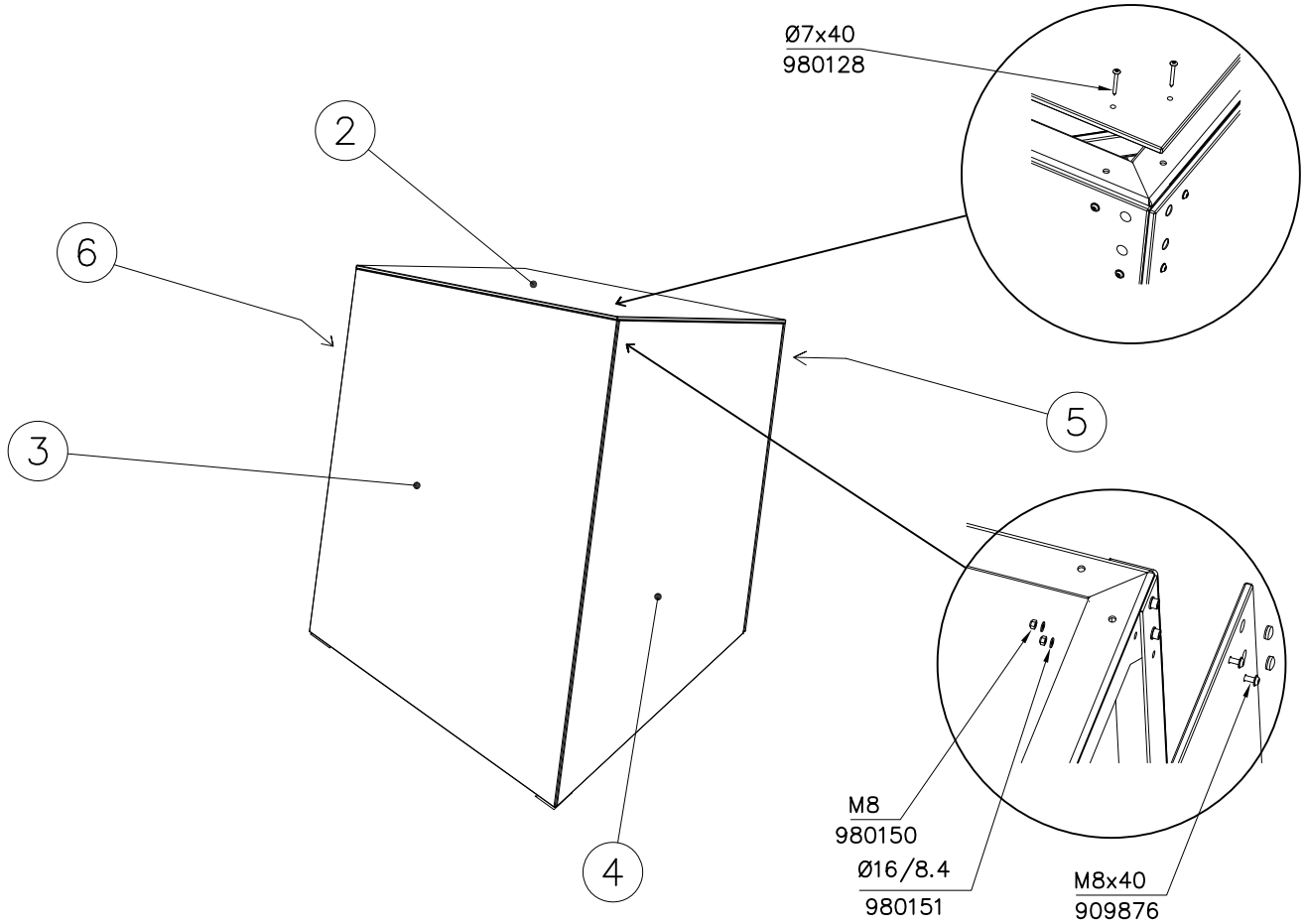
DET 12



		① 702341 PCS  90x50	② 709159 PCS  15x1200x1486		
		③ 709160 PCS  15x1486x2174	④ 709161 PCS  15x1170x2170		
		⑤ 709162 PCS  15x1376x1486	⑥ 709163 PCS  15x1170x1620		
		⑦ 709164 PCS  18x80x1135	⑧ 709165 PCS  18x80x1420		
		⑨ 902233 PCS  M10x30	⑩ 905112 PCS  Ø22		
		⑪ 909637 PCS  M10	⑫ 909638 PCS  Ø20/10.5		
		⑬ 909876 PCS  M8x40	⑭ 910744 PCS  154x1160x1445		
⑮ 910768 PCS  30x60x1349	⑯ 910769 PCS  30x60x1504	⑰ 910793 PCS  L 2158	⑱ 910794 PCS  L 1425	⑲ 910795 PCS  L 1646	⑳ 910796 PCS  L 884

21	980108	PCS	22	980128	PCS	23	980150	PCS	24	980151	PCS	FOOT OPTION	
		4			12			48			48	709387+	
	Ø4x25			Ø7x40			M8			Ø16/8.4		709386	PCS
												SURFACE	1
												910567	PCS
												CONCRETE	4
												117x117x715	

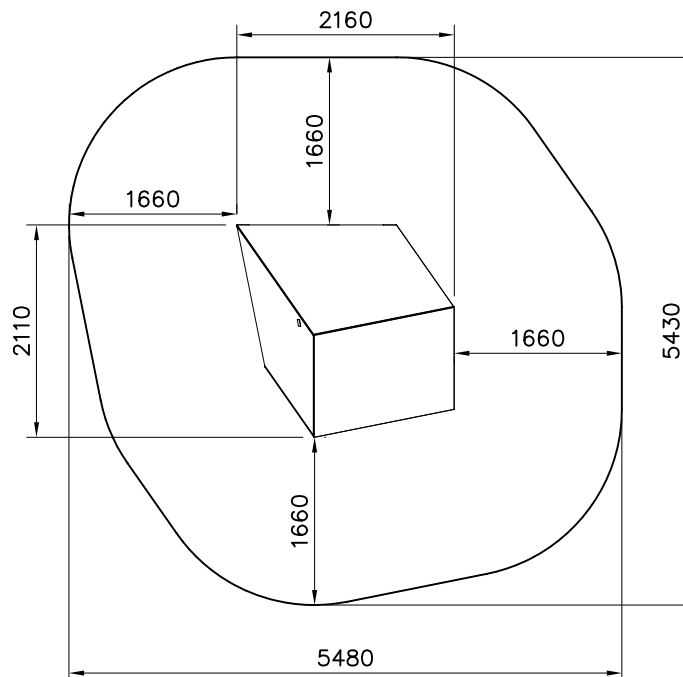
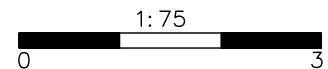


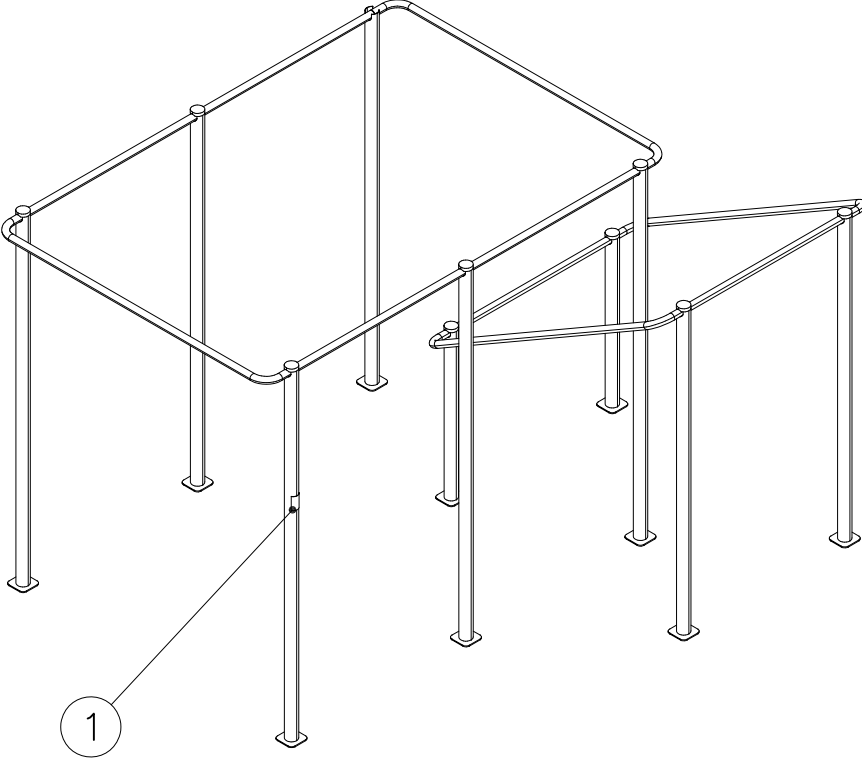


—— EN Impact Attenuating Surface (IAS) 24.4 m²

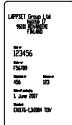

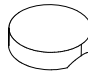

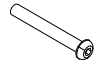


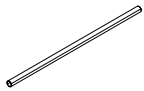


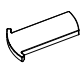



---- Falling Space 24.4 m²

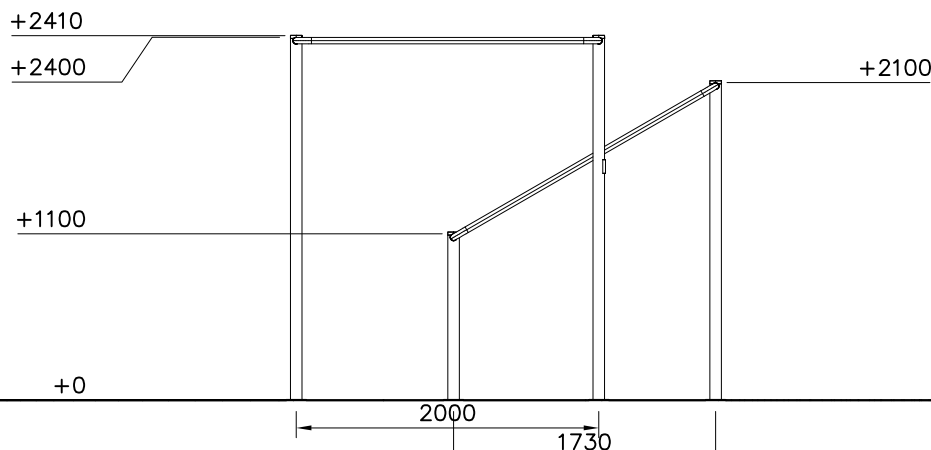
Max Falling Height 1740 mm



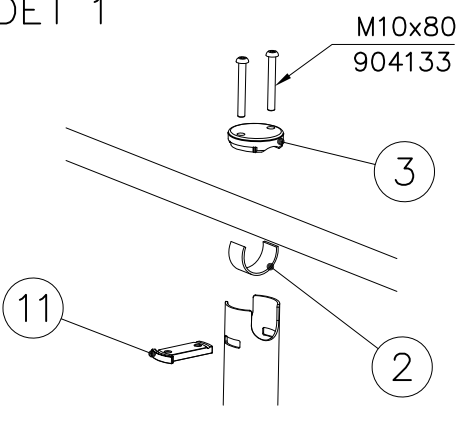


1

① 702341	PCS	② 704879	PCS
	1		10
90x50		3x30x120mm	
③ 708880	PCS	④ 980151	PCS
	10		8
Ø77x20		Ø16/8.4	
⑤ 904133	PCS	⑥ 909258	PCS
	20		8
M10x80		M8x55	
⑦ 909633	PCS	⑧ 910547	PCS
	8		2
M8		Ø42.4x1200	
⑨ 910549	PCS	⑩ 910556	PCS
	4		6
Ø42.4x286x2042		L 2400	
⑪ 910557	PCS	⑫ 910563	PCS
	10		2
10x45x87		L 2100	
⑬ 910564	PCS	⑭ 910704	PCS
	2		2
L 1100		Ø42.4x2600	



DET 1



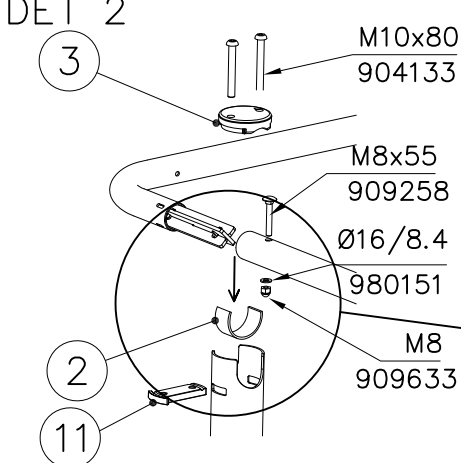
M10x80
904133

3

11

2

DET 2



M10x80
904133

3

M8x55
909258

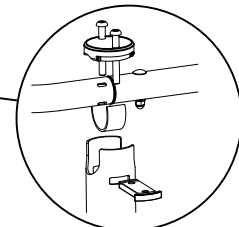
Ø16/8.4
980151

M8
909633

2

11

11



M8x55
909258

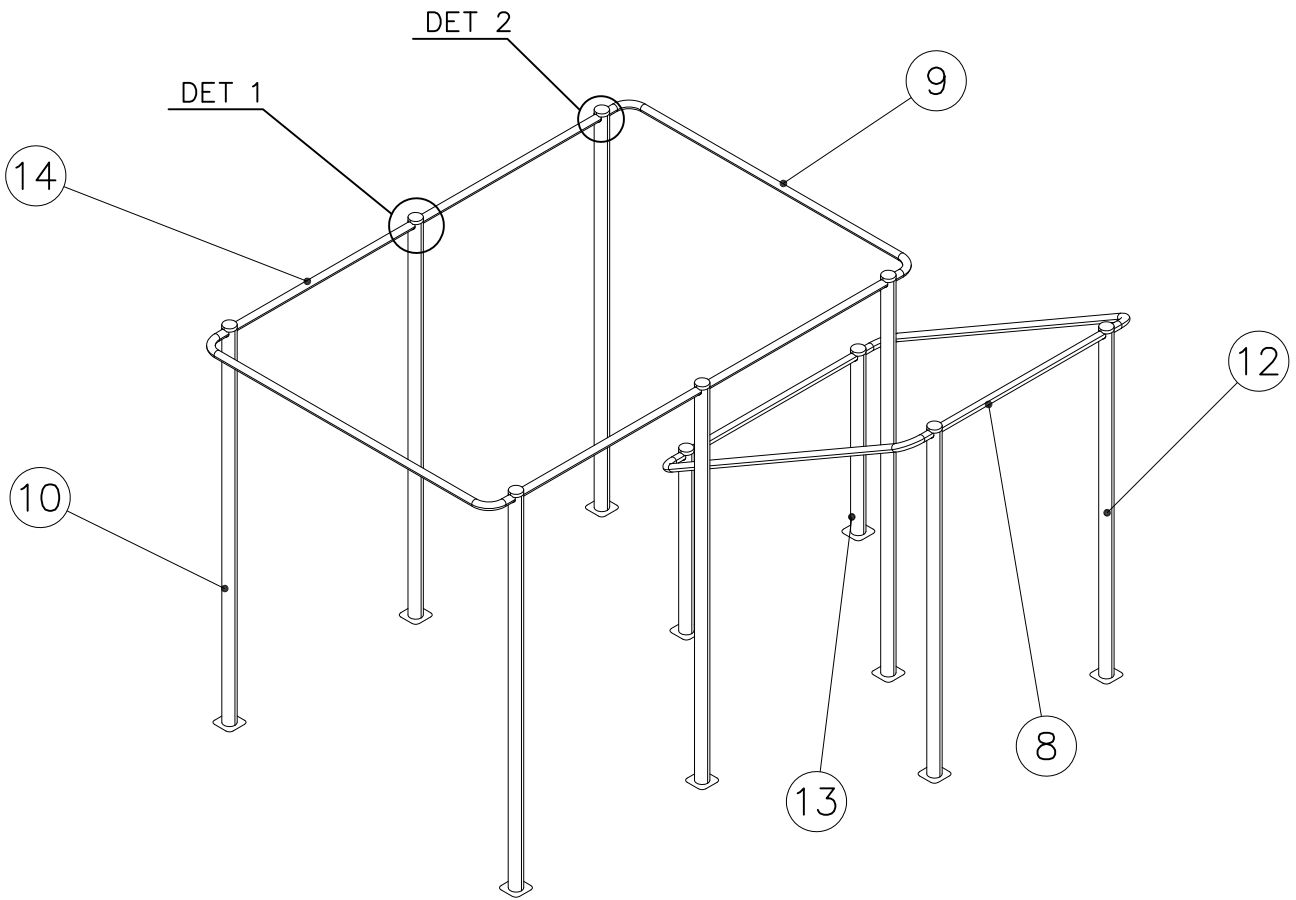
Ø16/8.4
980151

M8
909633

2

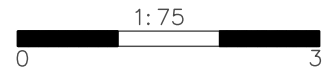
11

11

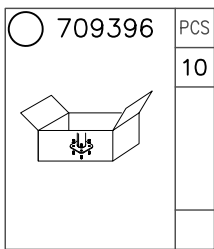


—— EN Impact Attenuating Surface (IAS) 45.7 m²

----- Falling Space 45.7 m²
Max Falling Height 2410 mm



INSTALLING FOR SURFACE MOUNTING



FOOT OPTION FOR DEEP MOUNTING

