

# WINAM GROUP

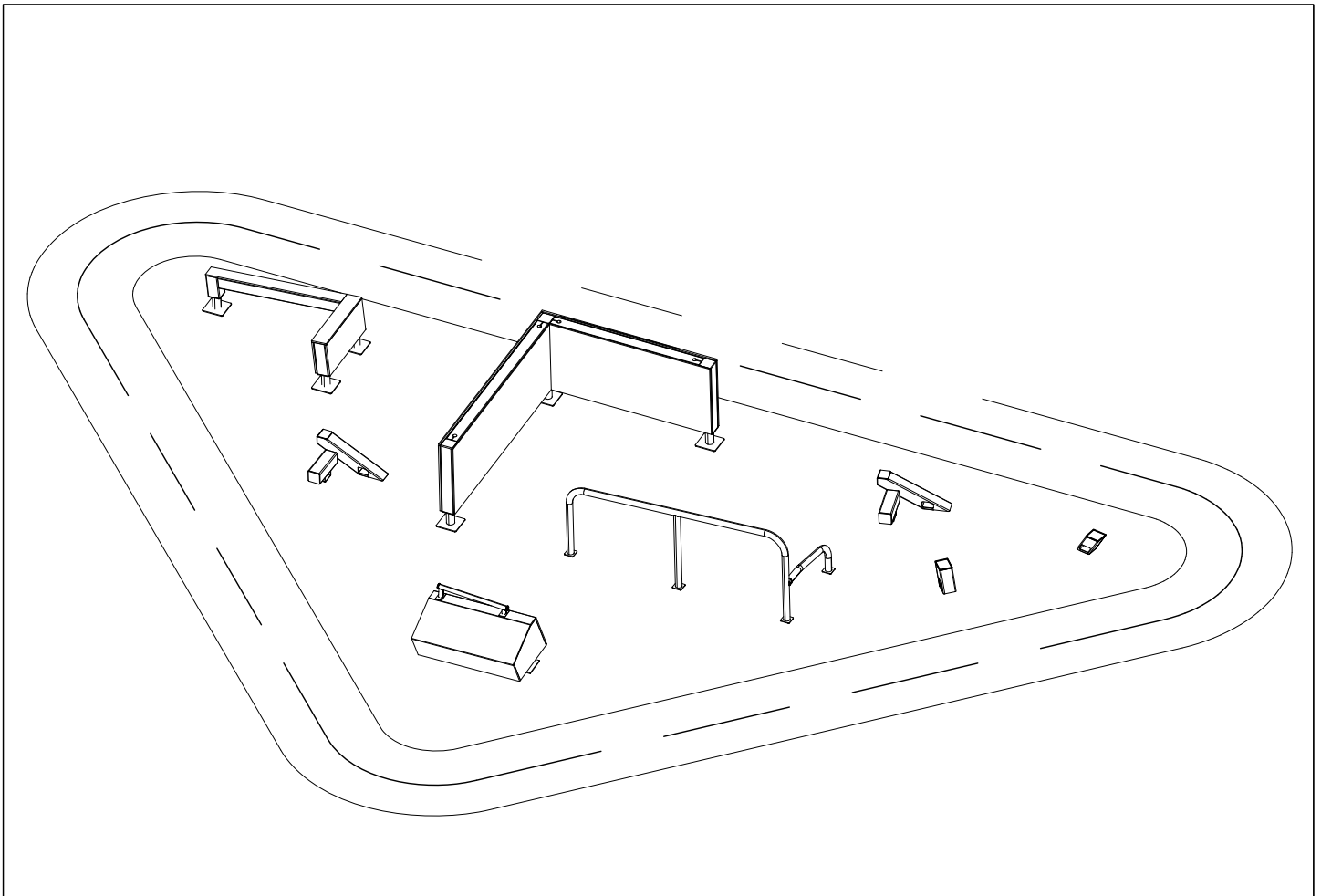
## DASH PARKOUR



ASENNUSOHJE  
MONTERINGSANSVISNING  
INSTALLATION INSTRUCTION  
AUFBAUANLEITUNG  
NOTICE D'INSTALLATION

DATE: 30.10.2019

### 081762M



# WINAM GROUP

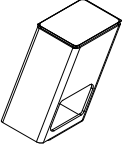
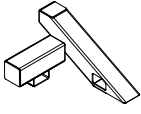
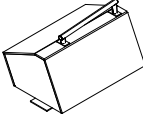
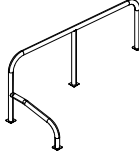
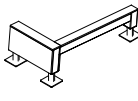
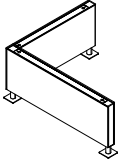
## DASH PARKOUR

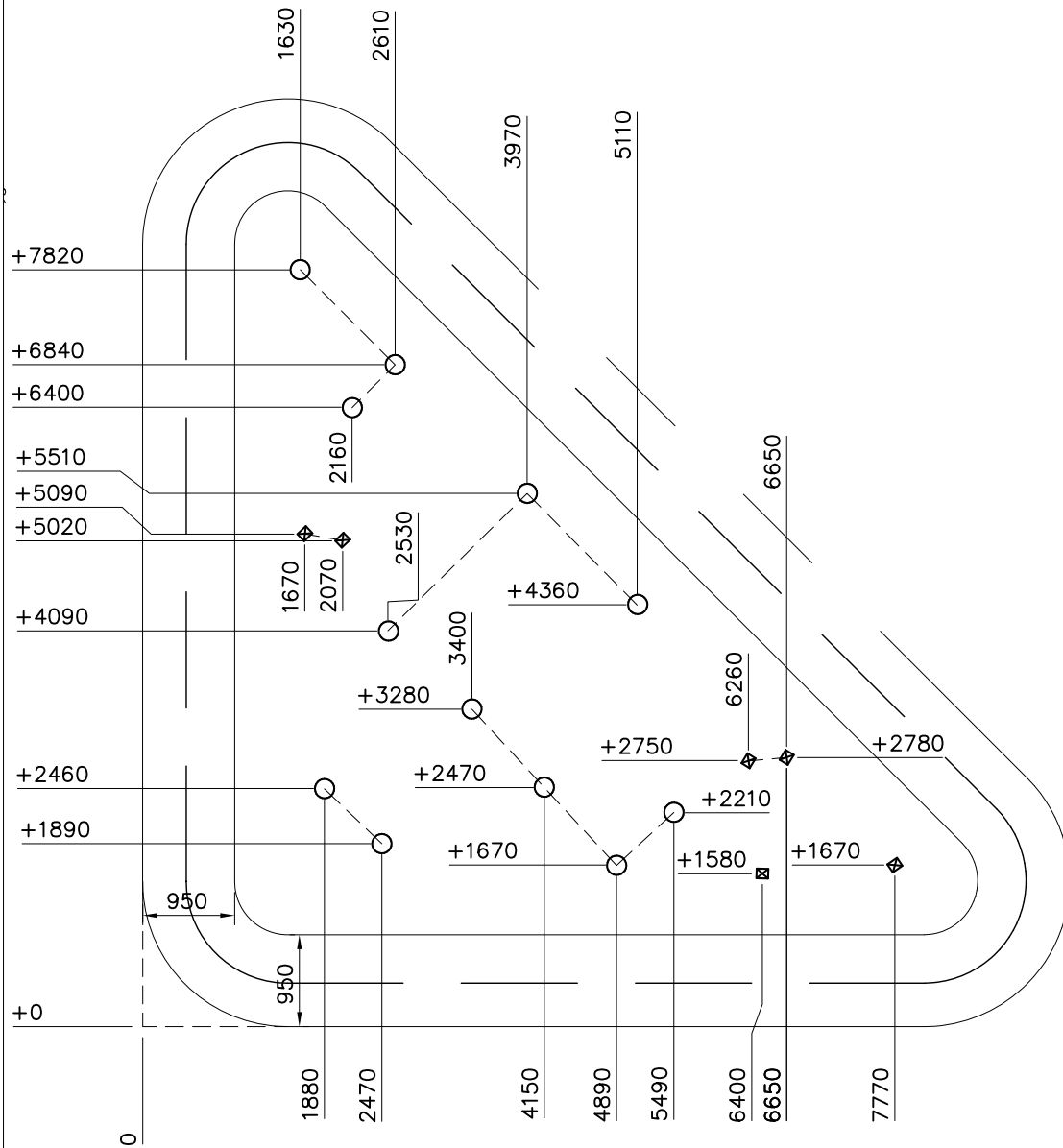
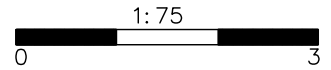
# 081762M

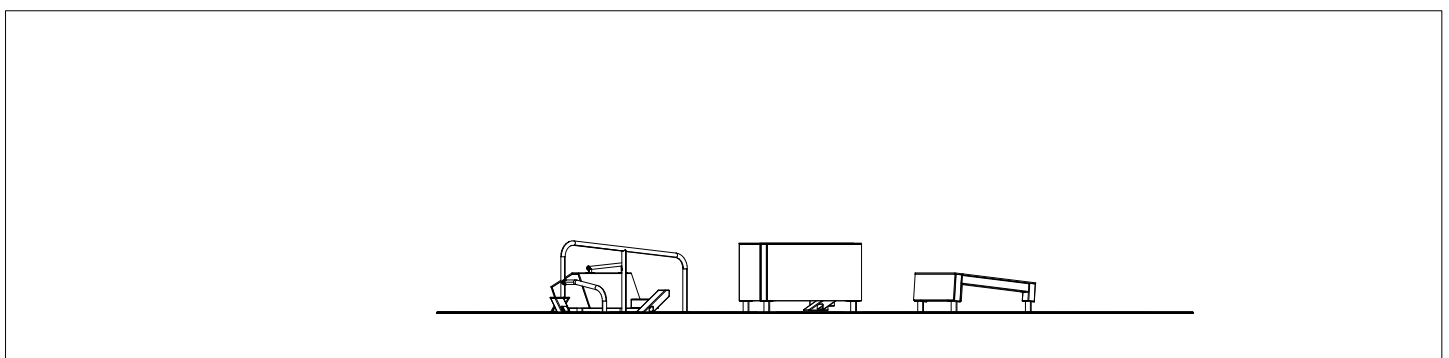
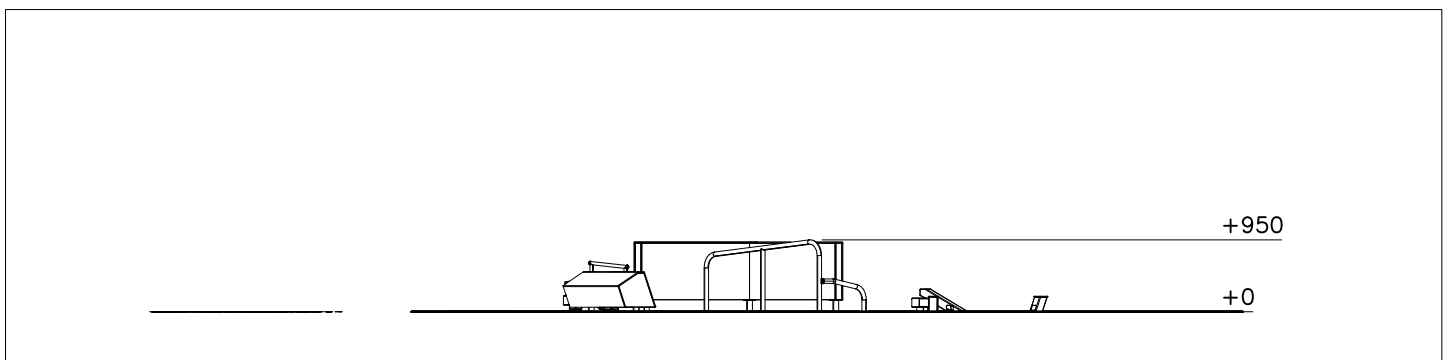
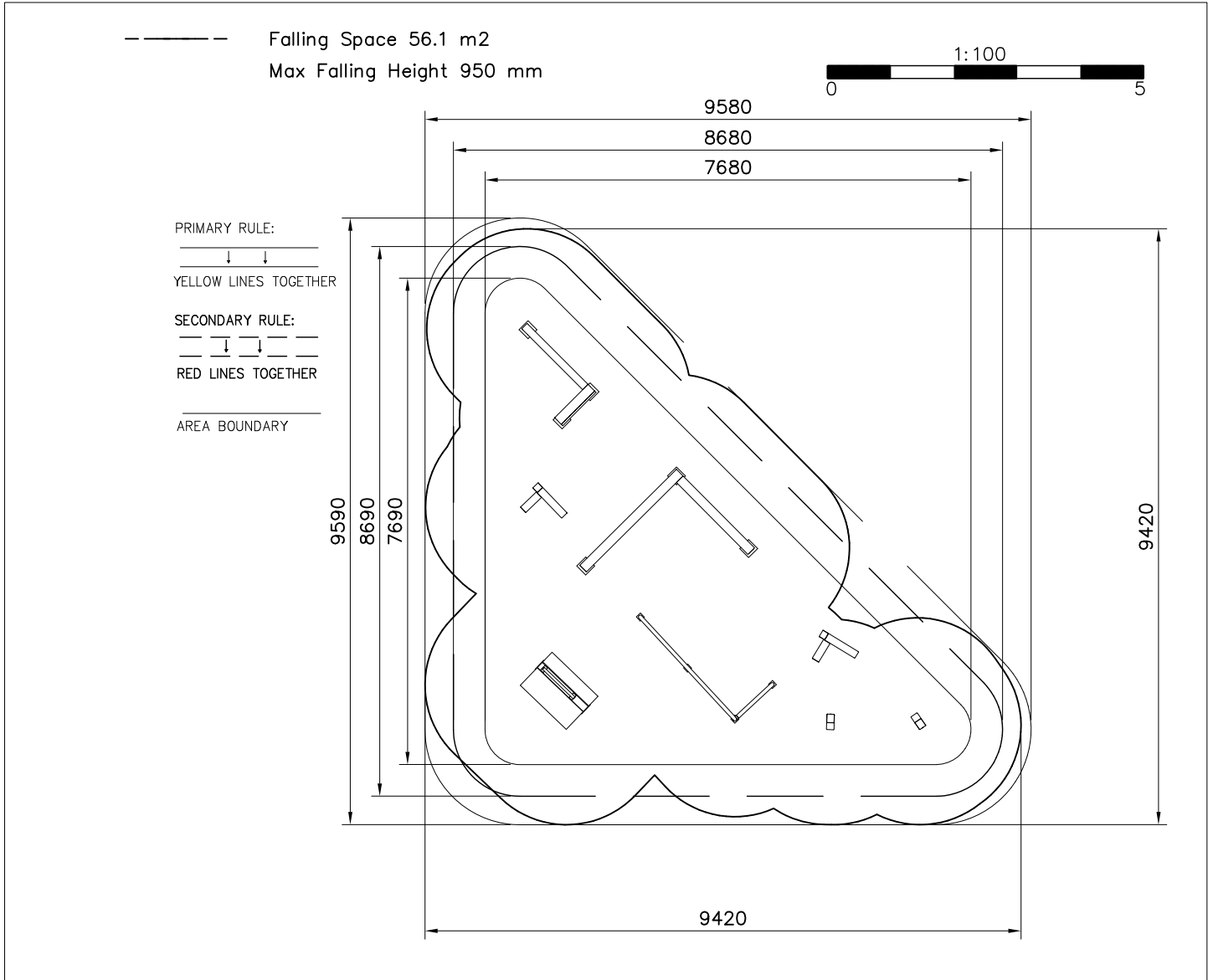
DATE: 30.10.2019

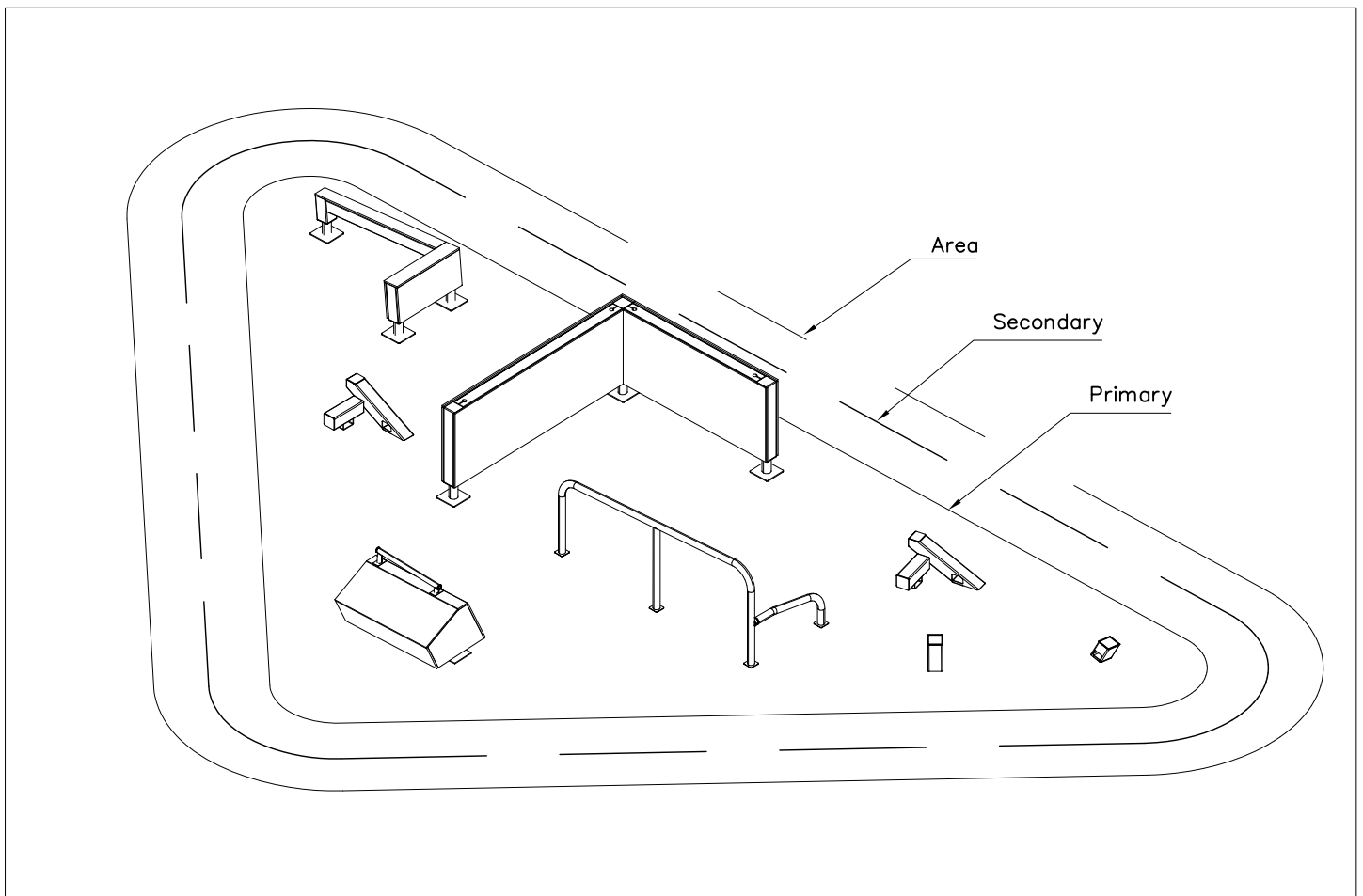
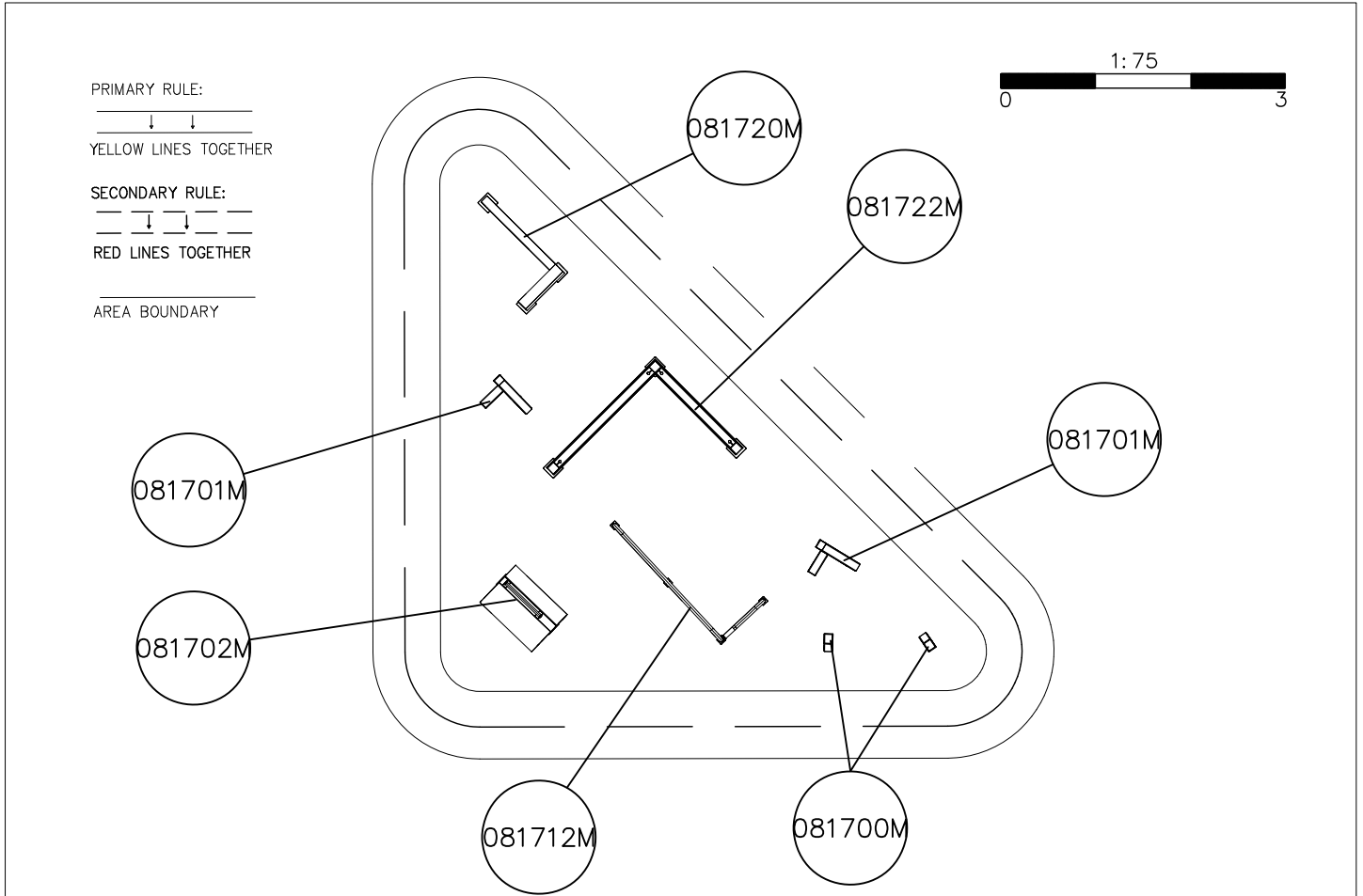


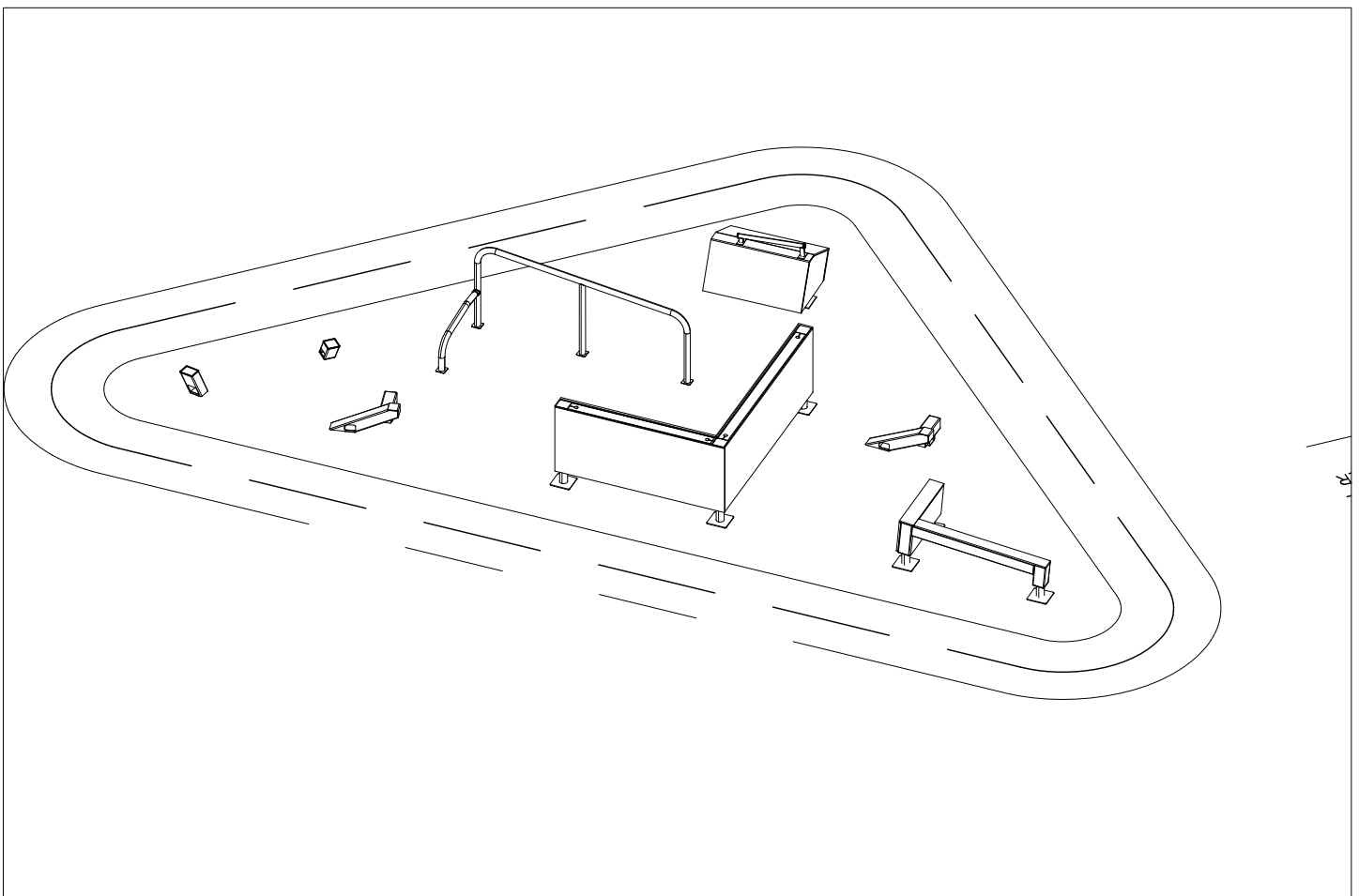
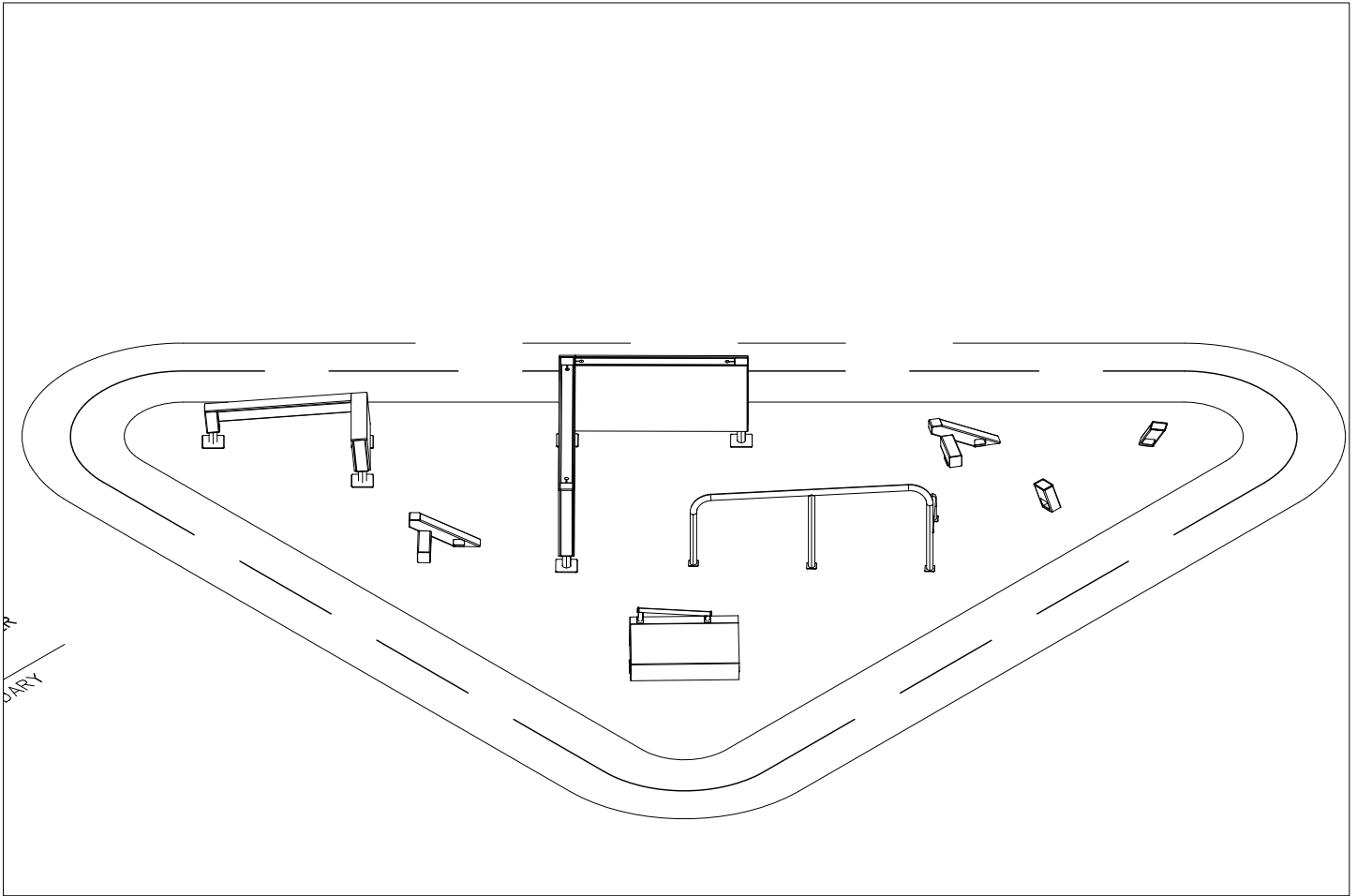
1(1)  
3

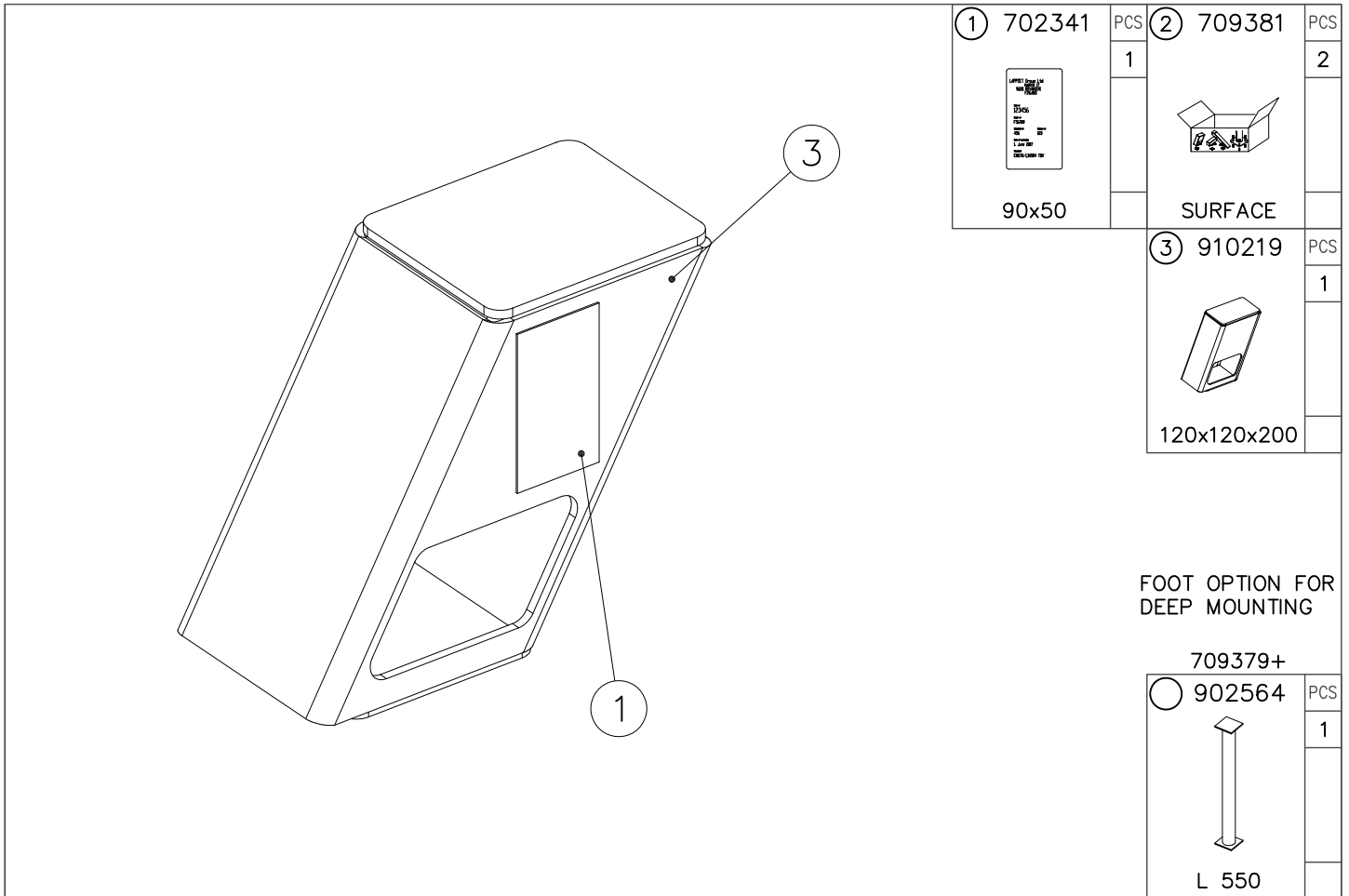
081700M	PCS	081701M	PCS	081702M	PCS	081712M	PCS	081720M	PCS	081722M	PCS
	2		2		1		1		1		1
	PCS		PCS		PCS		PCS		PCS		PCS
	PCS		PCS		PCS		PCS		PCS		PCS
	PCS		PCS		PCS		PCS		PCS		PCS
	PCS		PCS		PCS		PCS		PCS		PCS
	PCS		PCS		PCS		PCS		PCS		PCS
	PCS		PCS		PCS		PCS		PCS		PCS



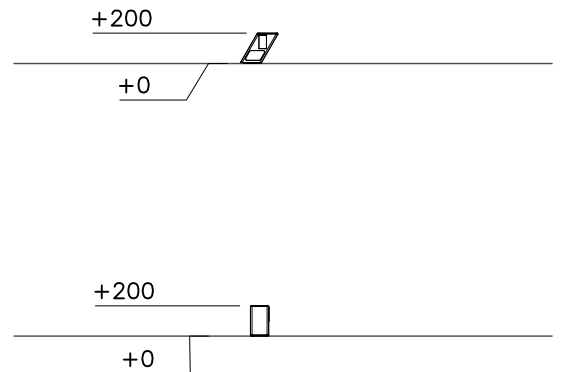
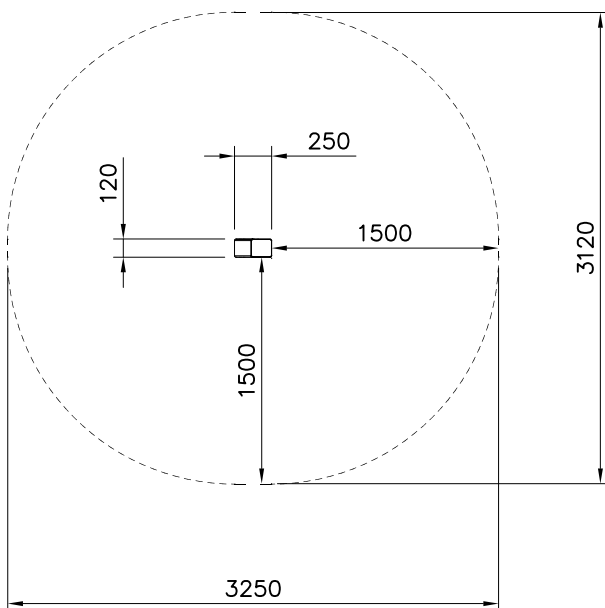
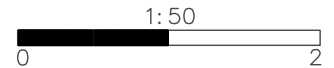




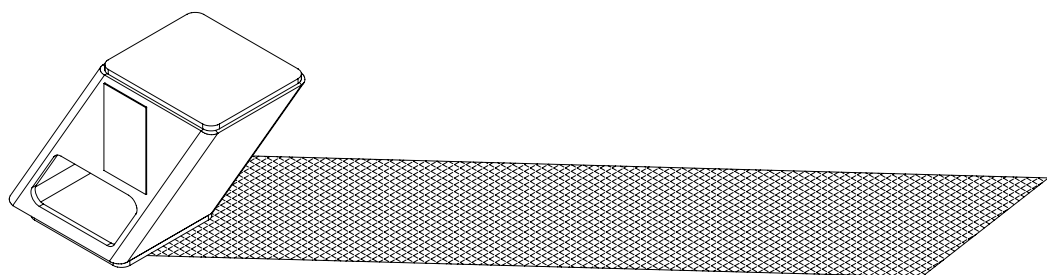
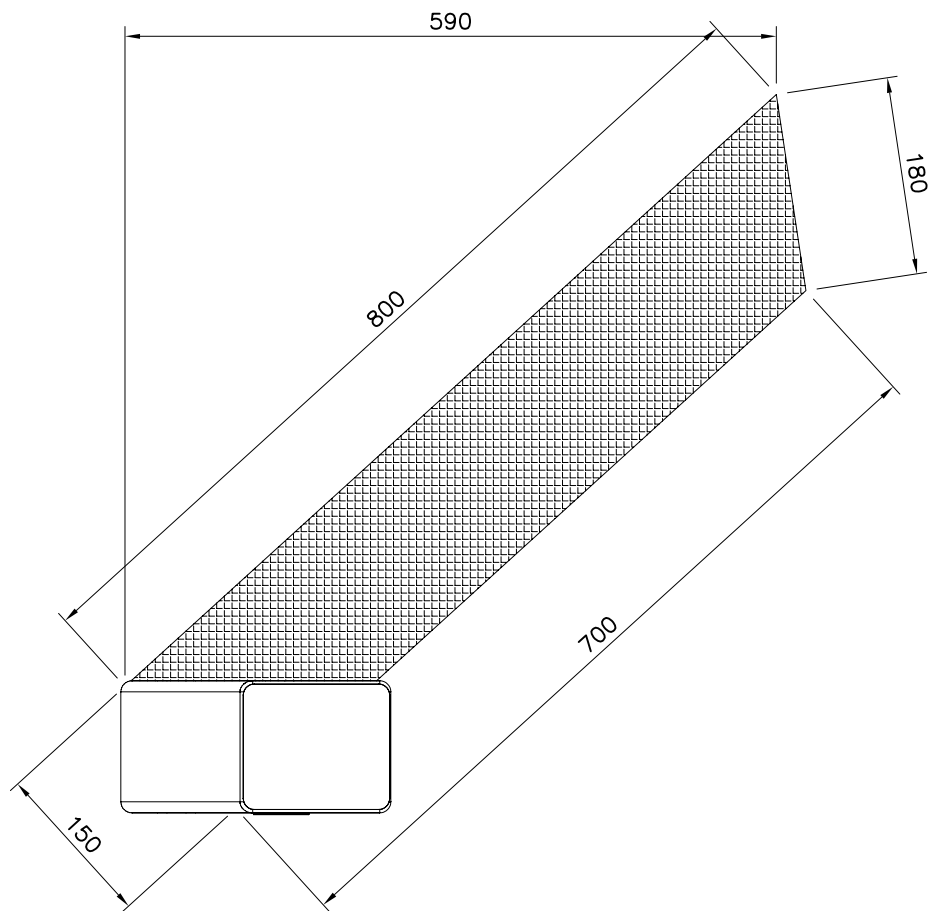




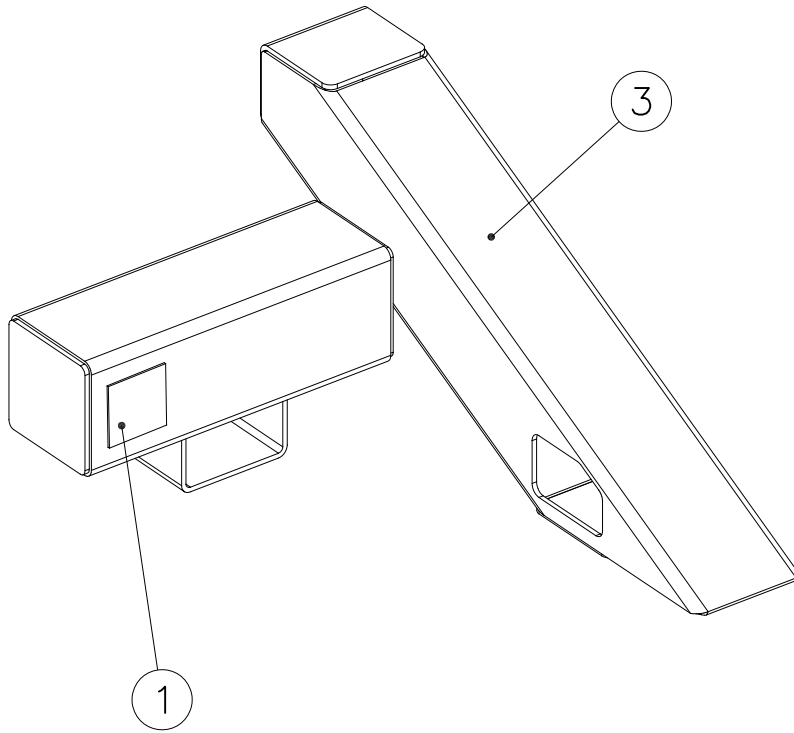
----- Falling Space 8.2 m<sup>2</sup>  
Max Falling Height 200 mm

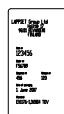

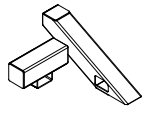


Shadow lines




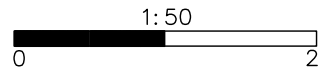




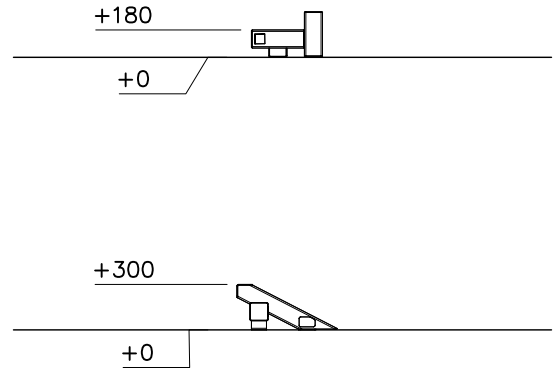
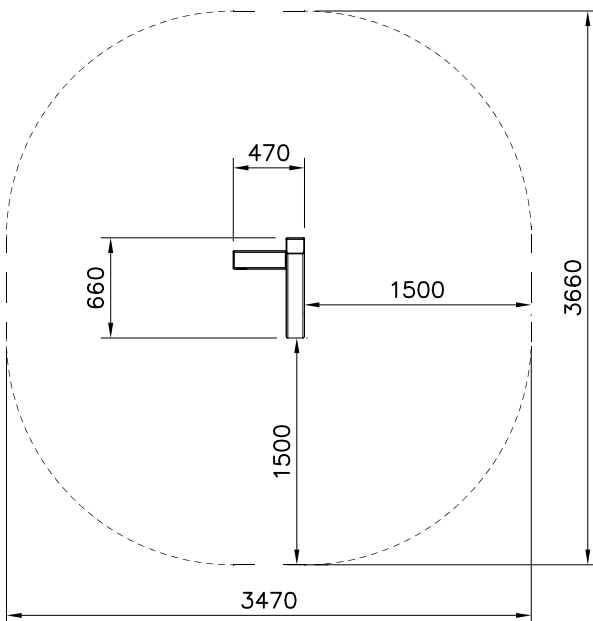
① 702341	PCS	② 709381	PCS
	1		2
90x50		SURFACE	
		③ 910220	PCS
			1
		300x470x662	

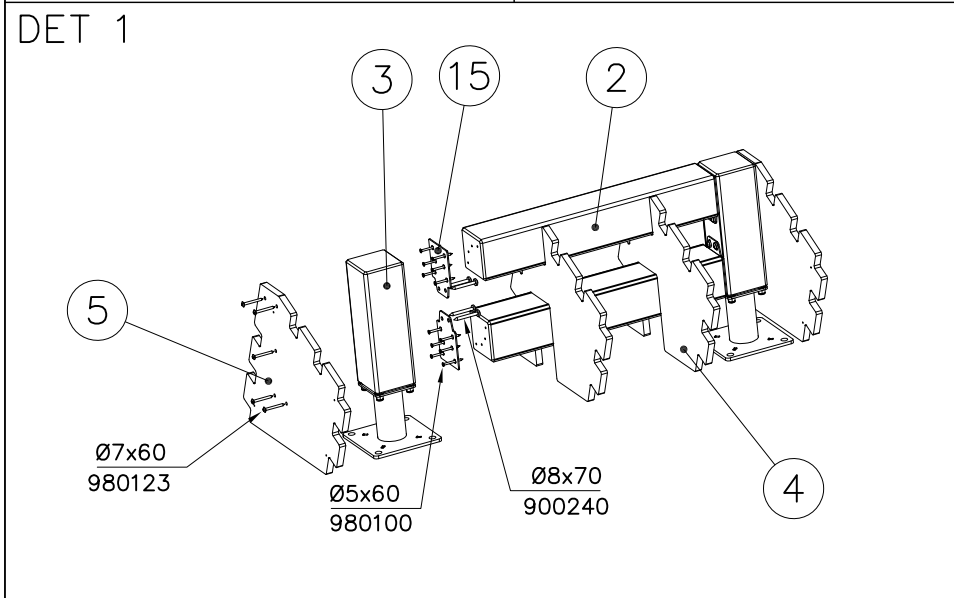
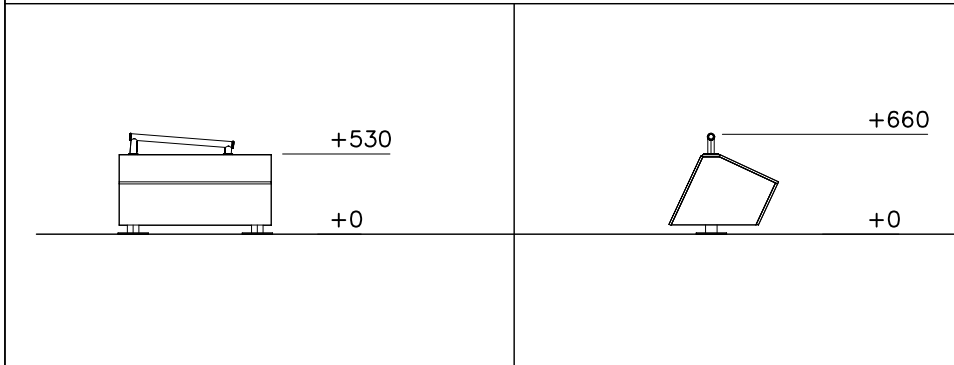
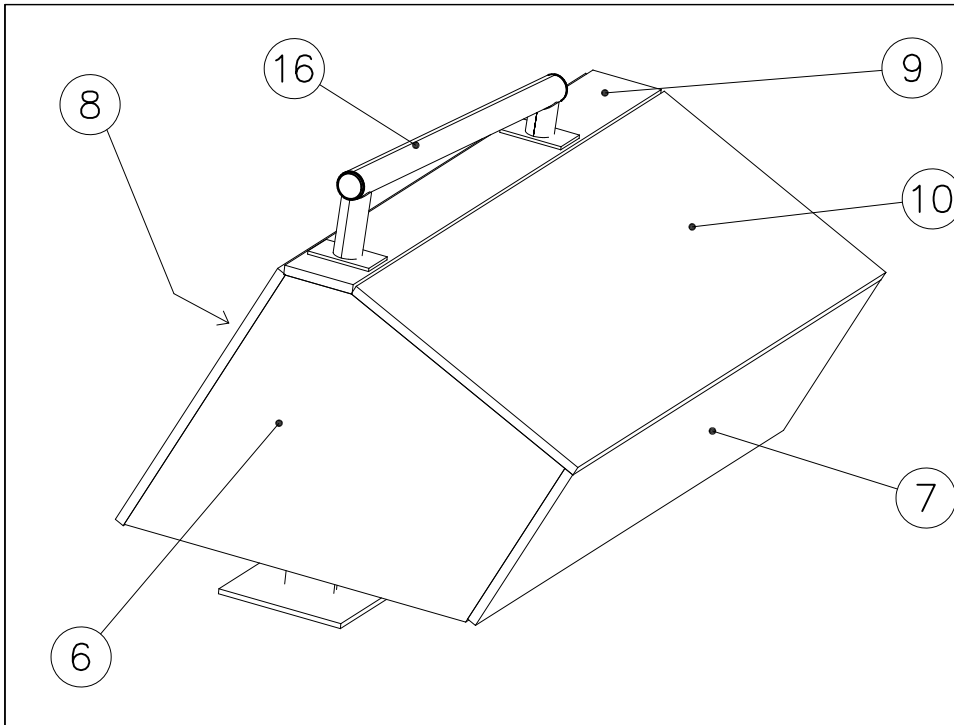
FOOT OPTION FOR DEEP MOUNTING



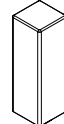
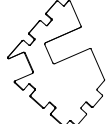
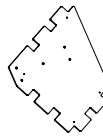
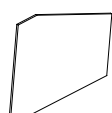

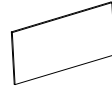

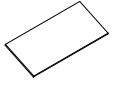




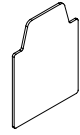
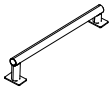




709379+	
○ 902564	PCS
	2
L 550	

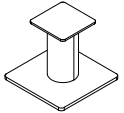



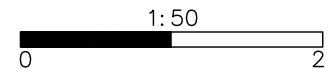
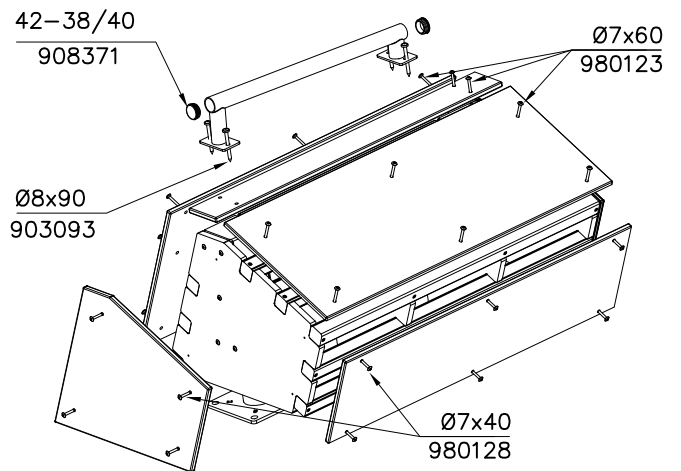
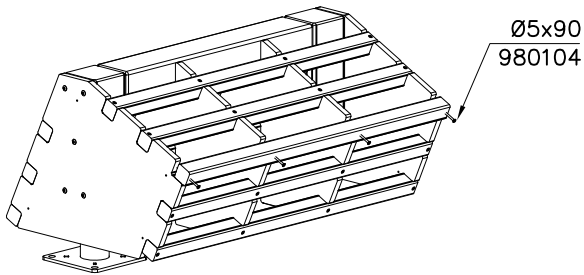
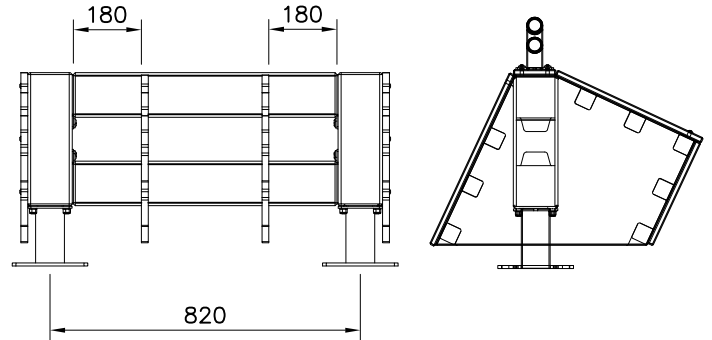
----- Falling Space 10.8 m<sup>2</sup>  
 Max Falling Height 300 mm



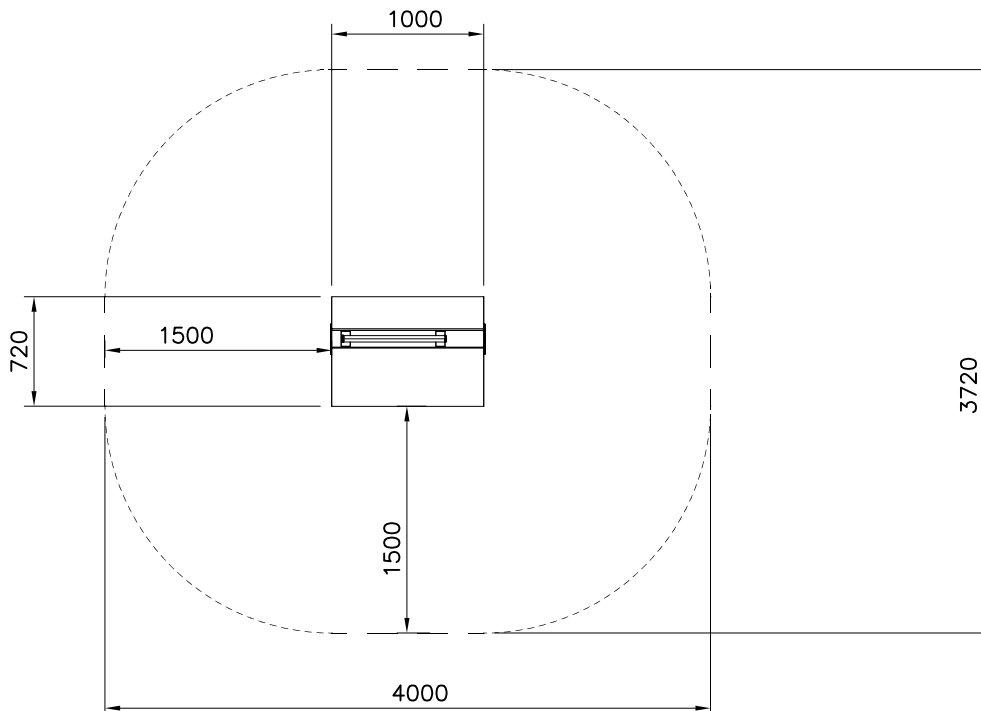


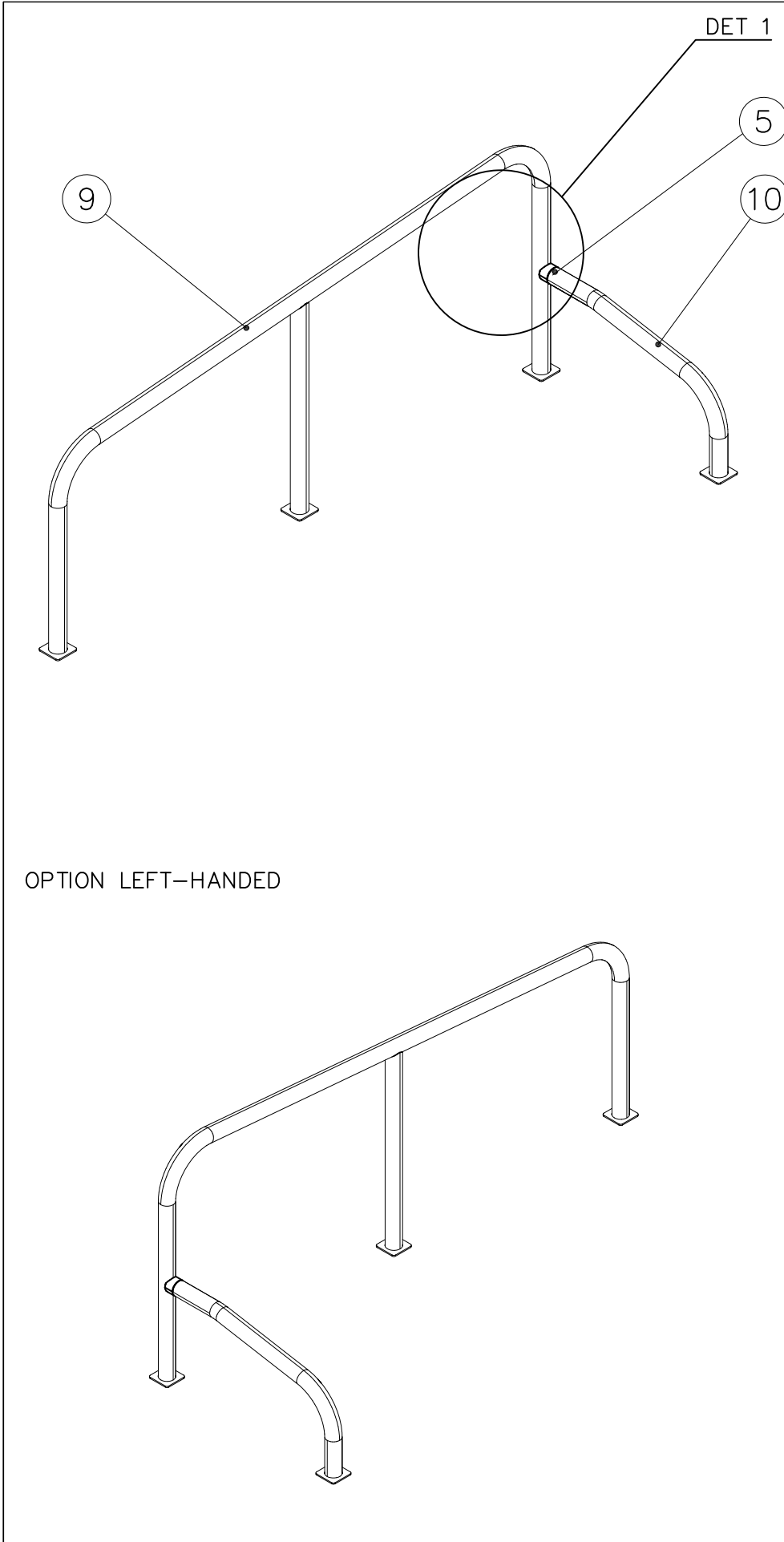
① 702341	PCS	② 708109	PCS
	1		2
90x50		118x118x697	
③ 708443	PCS	④ 708848	PCS
	2		2
118x118x352		18x450x690	
⑤ 708849	PCS	⑥ 708850	PCS
	2		2
18x450x690		15x450x690	
⑦ 708851	PCS	⑧ 708852	PCS
	1		1
15x300x1005		15x500x1005	
⑨ 708853	PCS	⑩ 708854	PCS
	1		1
15x112x1005		15x425x1005	
⑪ 708855	PCS	⑫ 900240	PCS
	8		8
45x45x975		Ø8x70	
⑬ 903093	PCS	⑭ 908371	PCS
	4		2
Ø8x90		42-38/40	
⑮ 908698	PCS	⑯ 910056	PCS
	4		1
3x114x108		140x690	
⑰ 980100	PCS	⑱ 980104	PCS
	24		32
Ø5x60		Ø5x90	
⑲ 980123	PCS	⑳ 980128	PCS
	27		14
Ø7x60		Ø7x40	

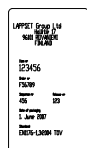


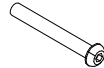
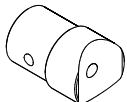



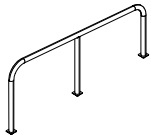
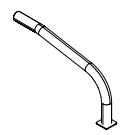

709261+		709262+	
○ 910330	PCS	○ 910567	PCS
SURFACE	2	CONCRETE	2
			
152x200x200		117x117x715	

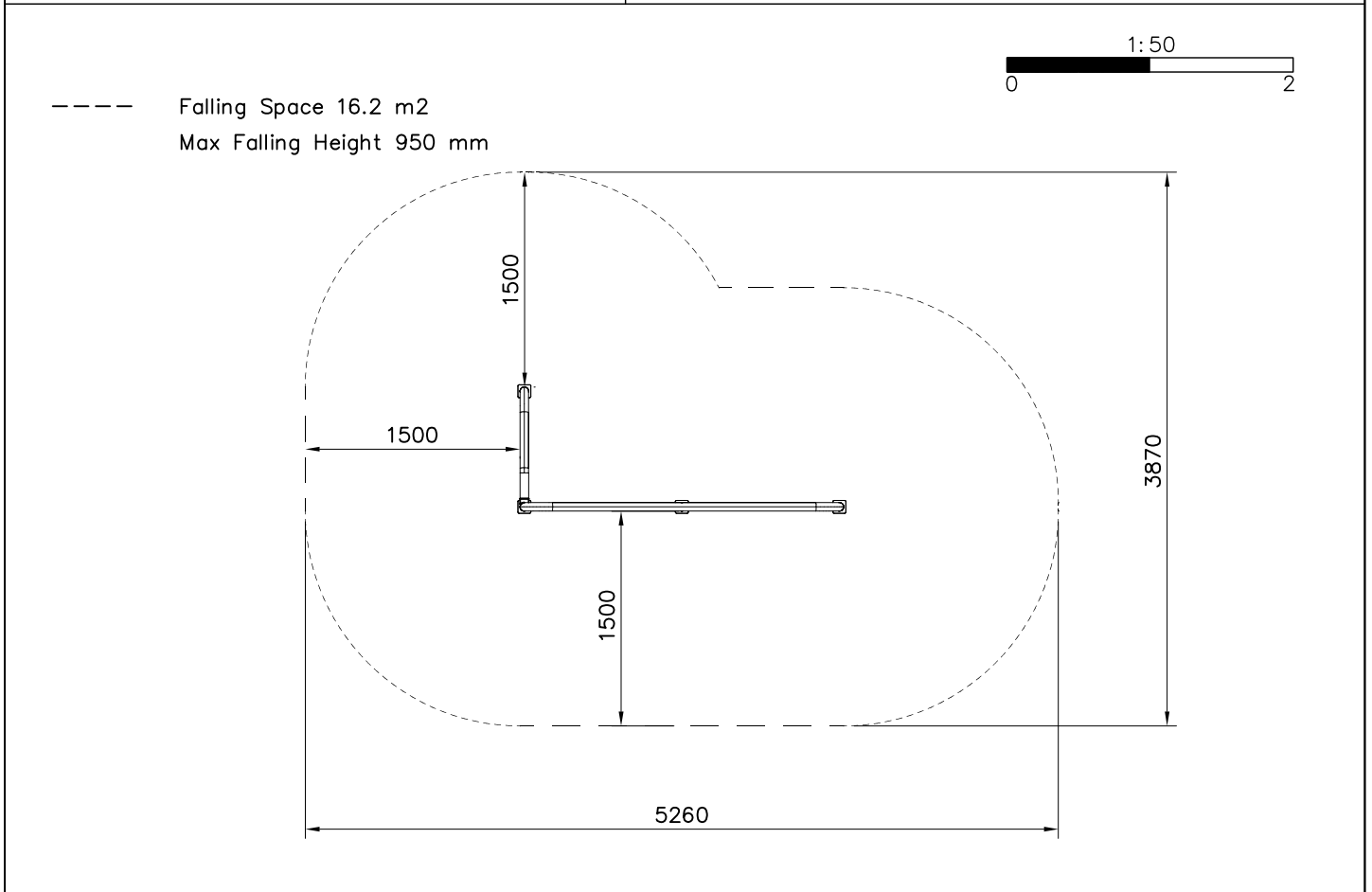
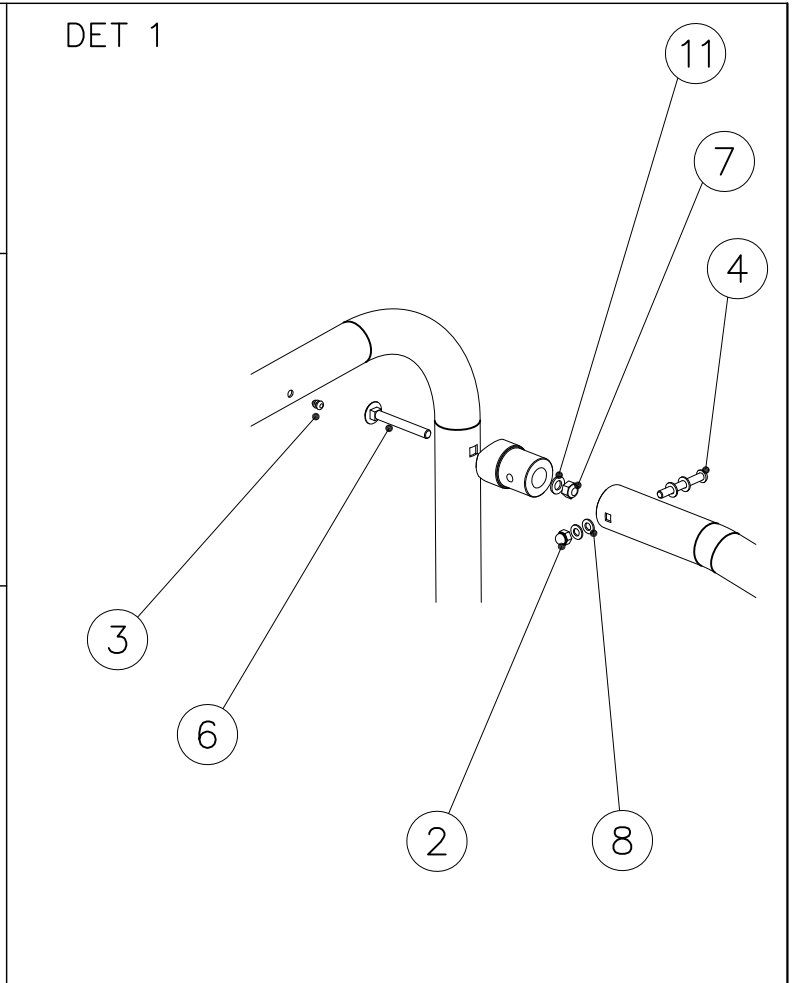
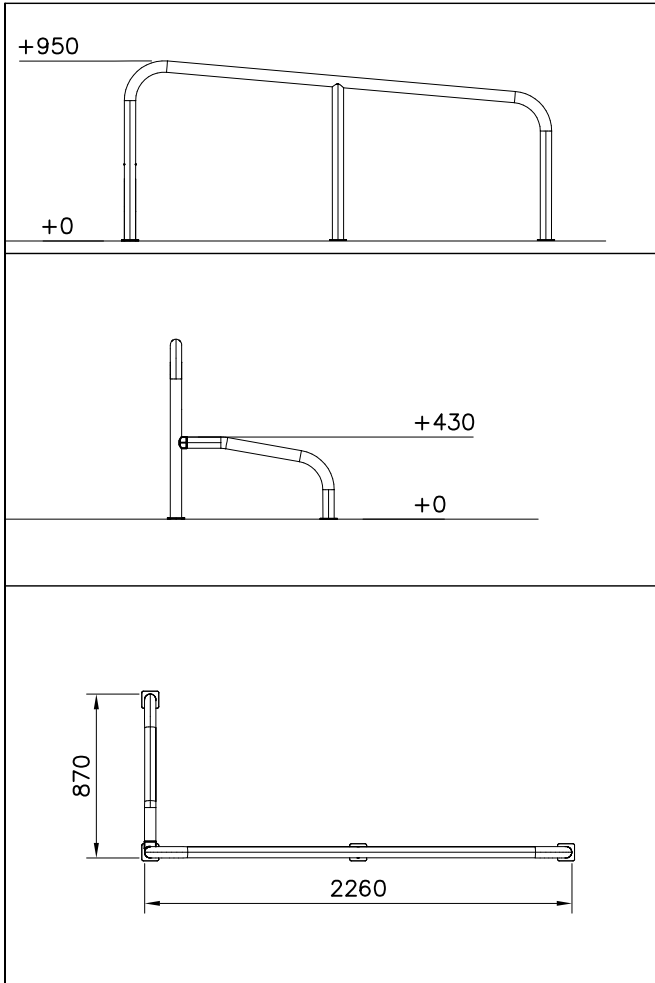


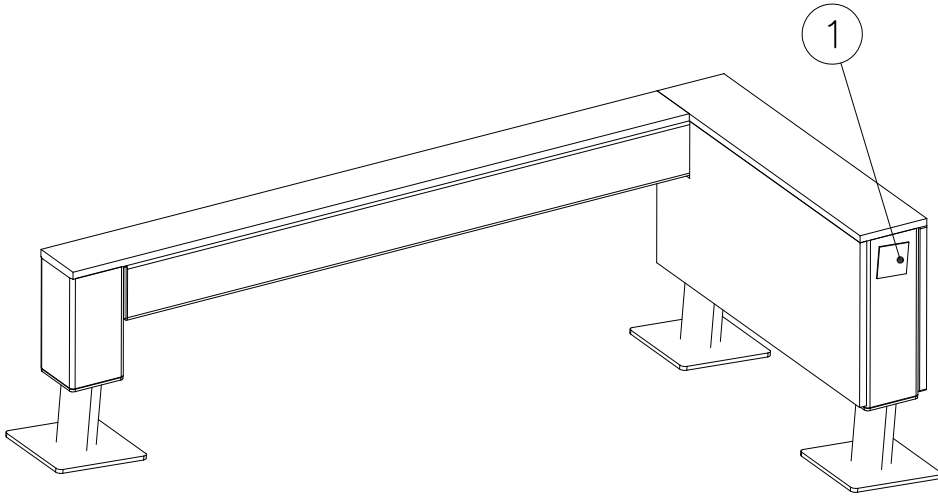
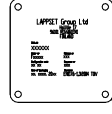
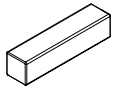
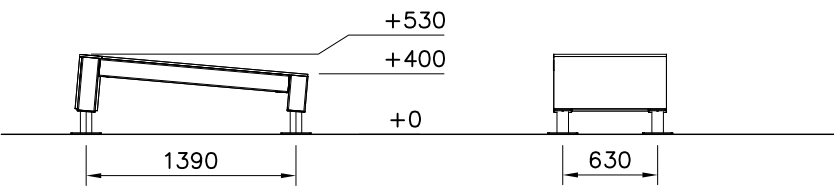
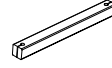
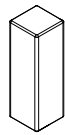
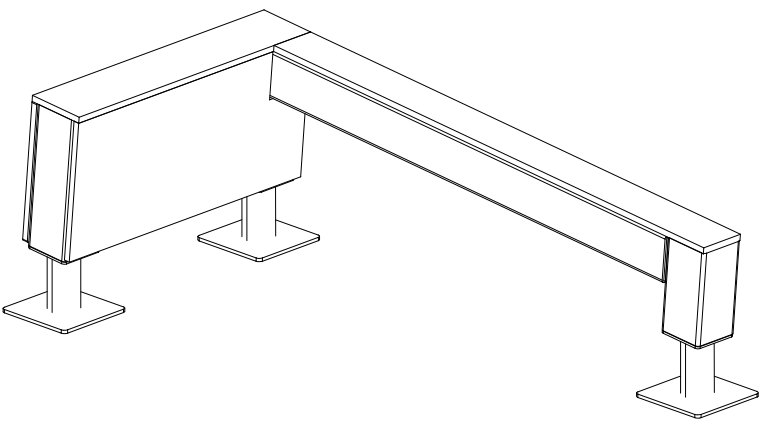
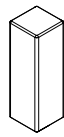
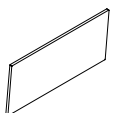
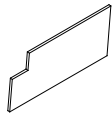
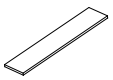

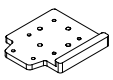
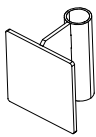




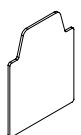
----- Falling Space 13 m<sup>2</sup>  
Max Falling Height 660 mm








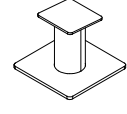
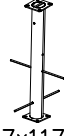
①	702341	PCS	②	900965	PCS
		1			1
	90x50			M10	
③	903533	PCS	④	904133	PCS
		4			1
	SRL12			M10x80	
⑤	908069	PCS	⑥	909111	PCS
		1			1
	Ø60x87.6			M12x100	
⑦	909248	PCS	⑧	909638	PCS
		1			4
	M12			Ø20/10.5	
⑨	910255	PCS	⑩	910262	PCS
		1			1
	Ø60x950x2290			Ø60x435x795	
⑪	980154	PCS			PCS
		1			
	Ø24/13				



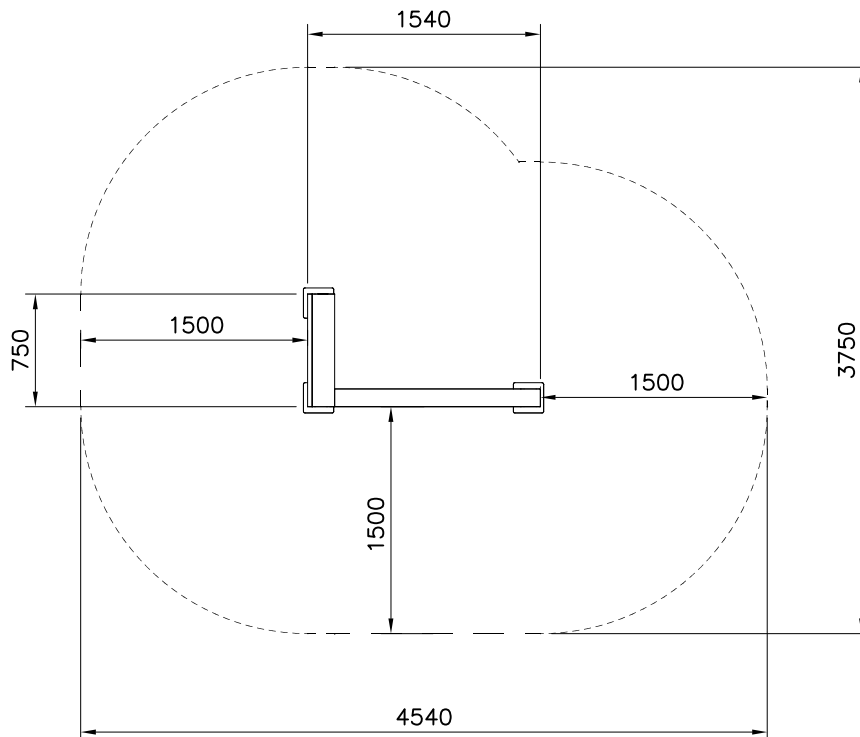
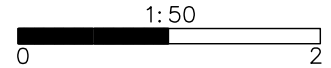
	<p>① 702286 PCS 1</p>  <p>65x65</p>	<p>② 707210 PCS 2</p>  <p>118x118x503</p>
	<p>③ 707212 PCS 1</p>  <p>118x118x1254</p>	<p>④ 708347 PCS 1</p>  <p>118x118x231</p>
<p>INSTALLATION OF A SECOND HAND</p> 	<p>⑤ 708443 PCS 2</p>  <p>118x118x352</p>	<p>⑥ 708727 PCS 1</p>  <p>15x346x745</p>
	<p>⑦ 708730 PCS 1</p>  <p>15x346x745</p>	<p>⑧ 708733 PCS 1</p>  <p>15x148x745</p>
	<p>⑨ 708734 PCS 1</p>  <p>15x118x1365</p>	<p>⑩ 708857 JIG PCS 1</p>  <p>20x133x149</p>
	<p>⑪ 910266 PCS 2</p>  <p>90x108x118</p>	<p>⑫ 900240 PCS 16</p>  <p>Ø8x70</p>
	<p>⑬ 903093 PCS 4</p>  <p>Ø8x90</p>	<p>⑭ 905103 PCS 2</p>  <p>PT-28/32-H</p>
	<p>⑮ 905112 PCS 4</p>  <p>Ø22</p>	<p>⑯ 908698 PCS 4</p>  <p>3x114x108</p>

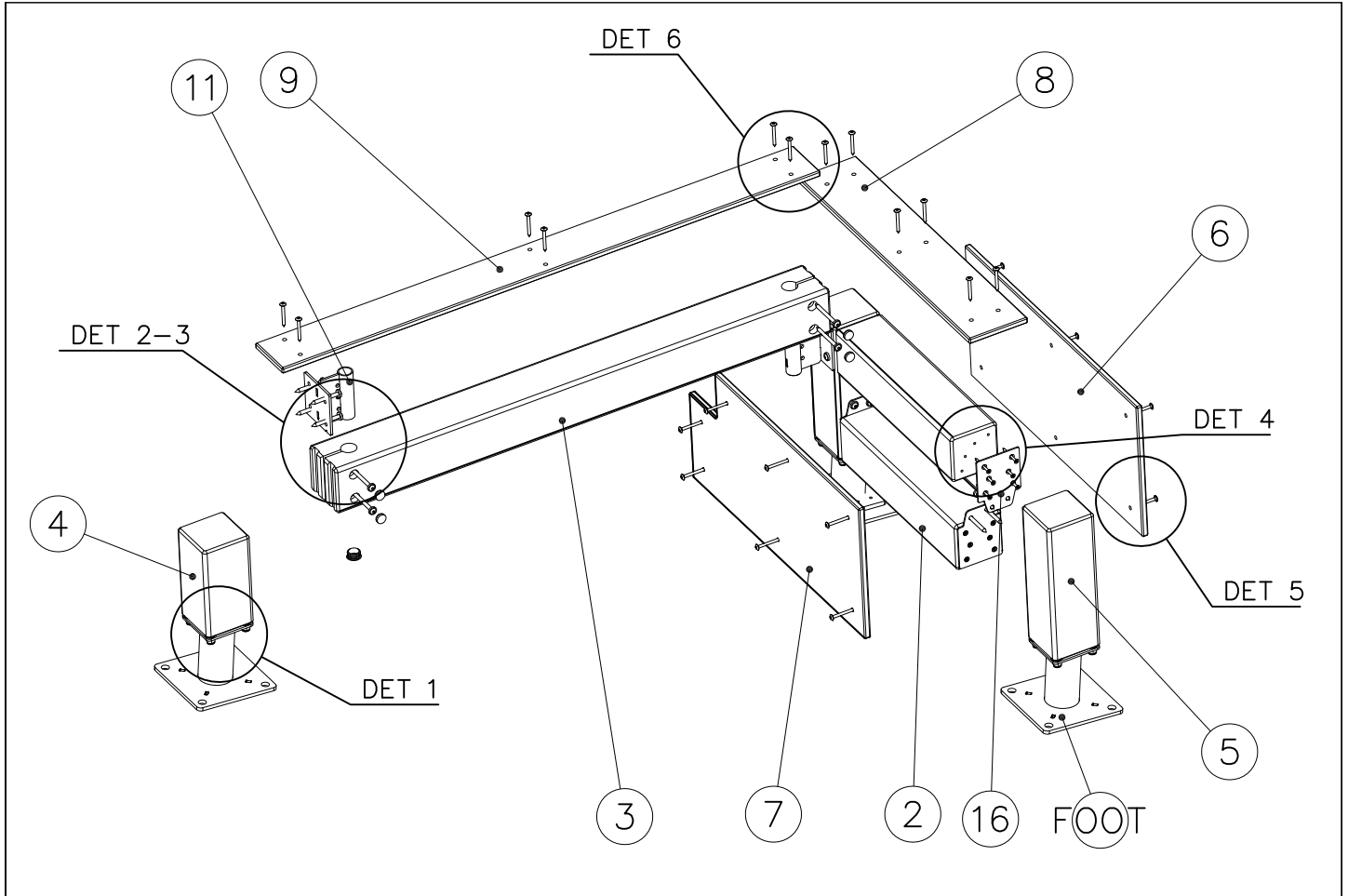
⑰ 980100	PCS	⑱ 980114	PCS	⑲ 980123	PCS
	28		4		25
Ø5x60		Ø4x20		Ø7x60	

### FOOT OPTIONS

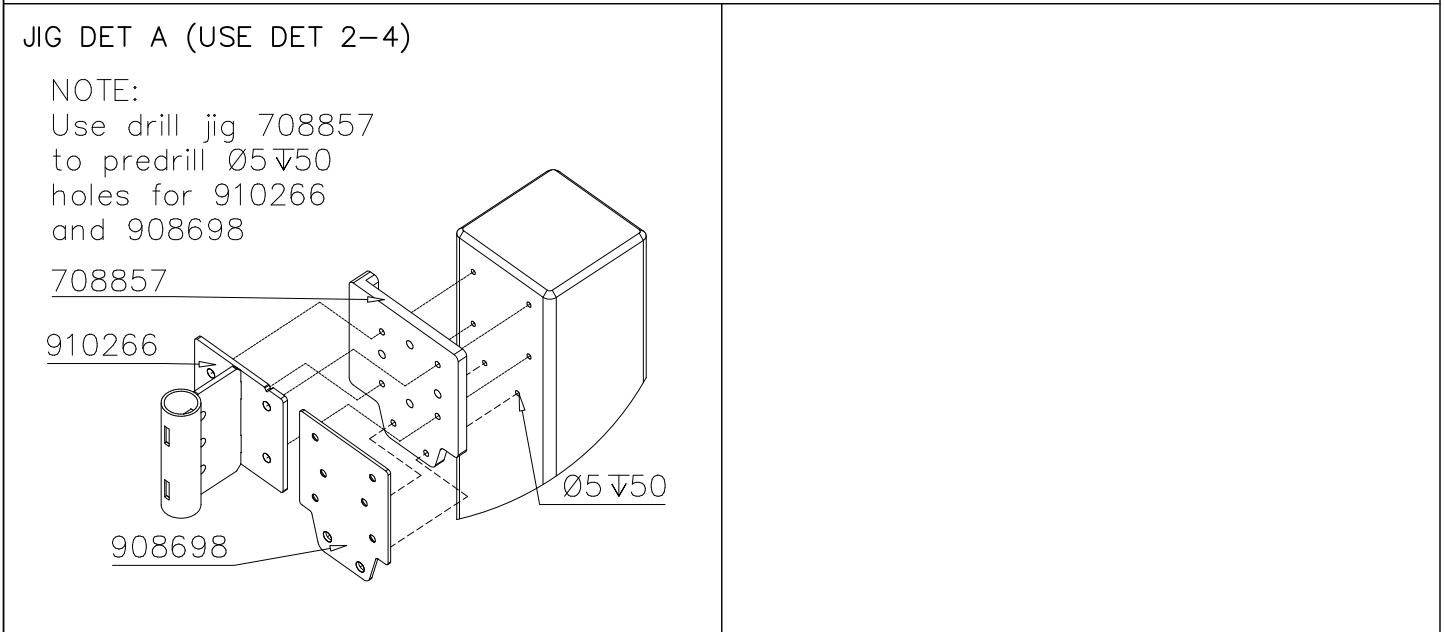
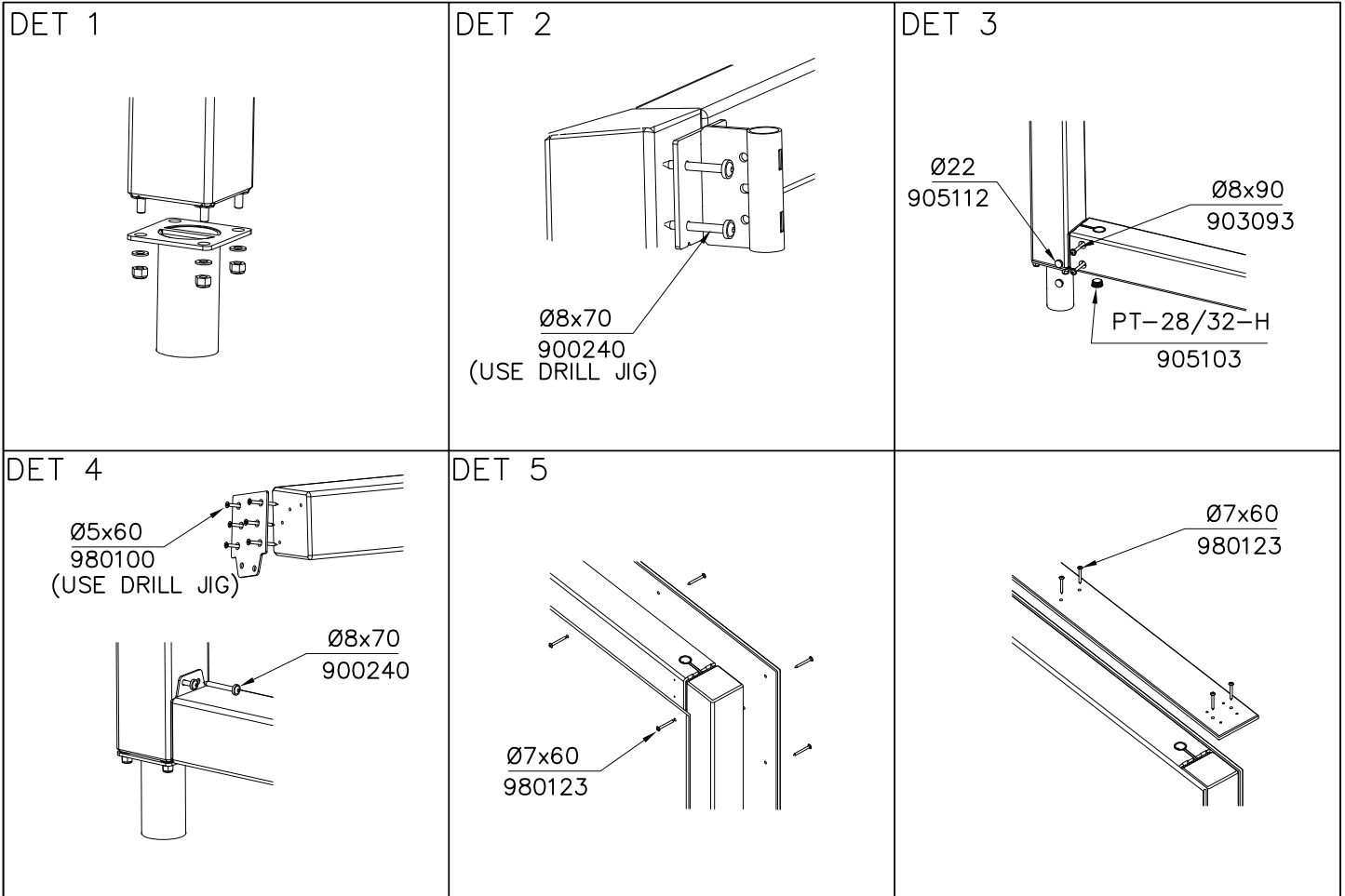
709261+		709262+	
○ 910267	PCS	○ 910567	PCS
SURFACE	3	CONCRETE	3
			
152x200x200		117x117x715	

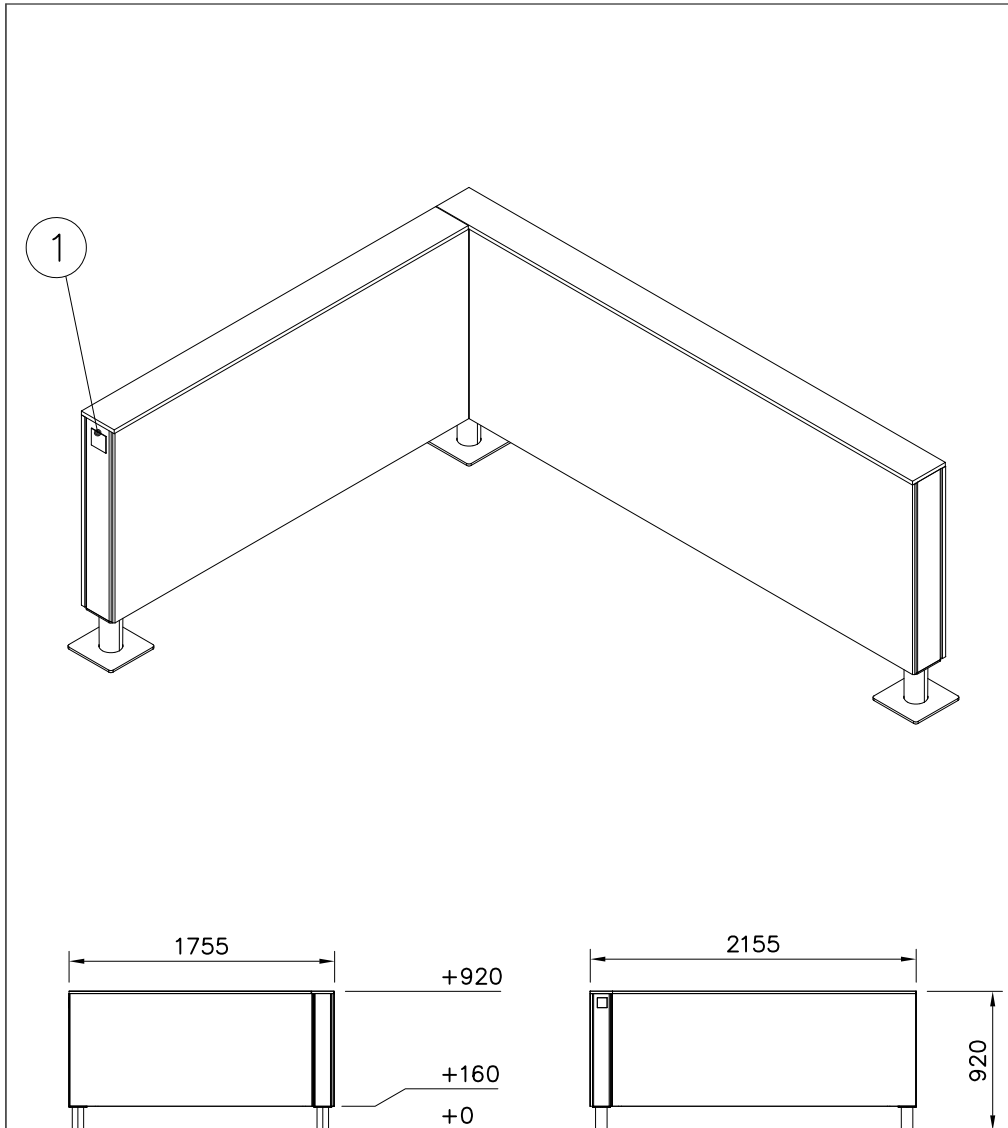
----- Falling Space 13.8 m<sup>2</sup>  
Max Falling Height 530 mm



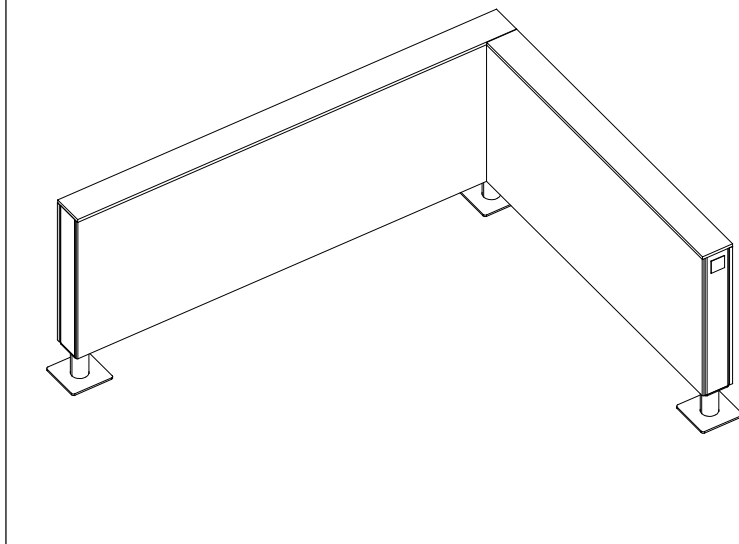


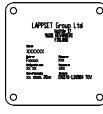

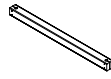
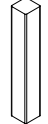
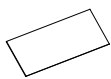



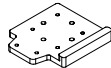
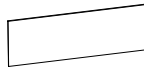



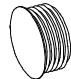

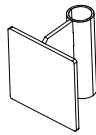






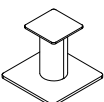
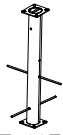


### INSTALLATION OF A SECOND HAND

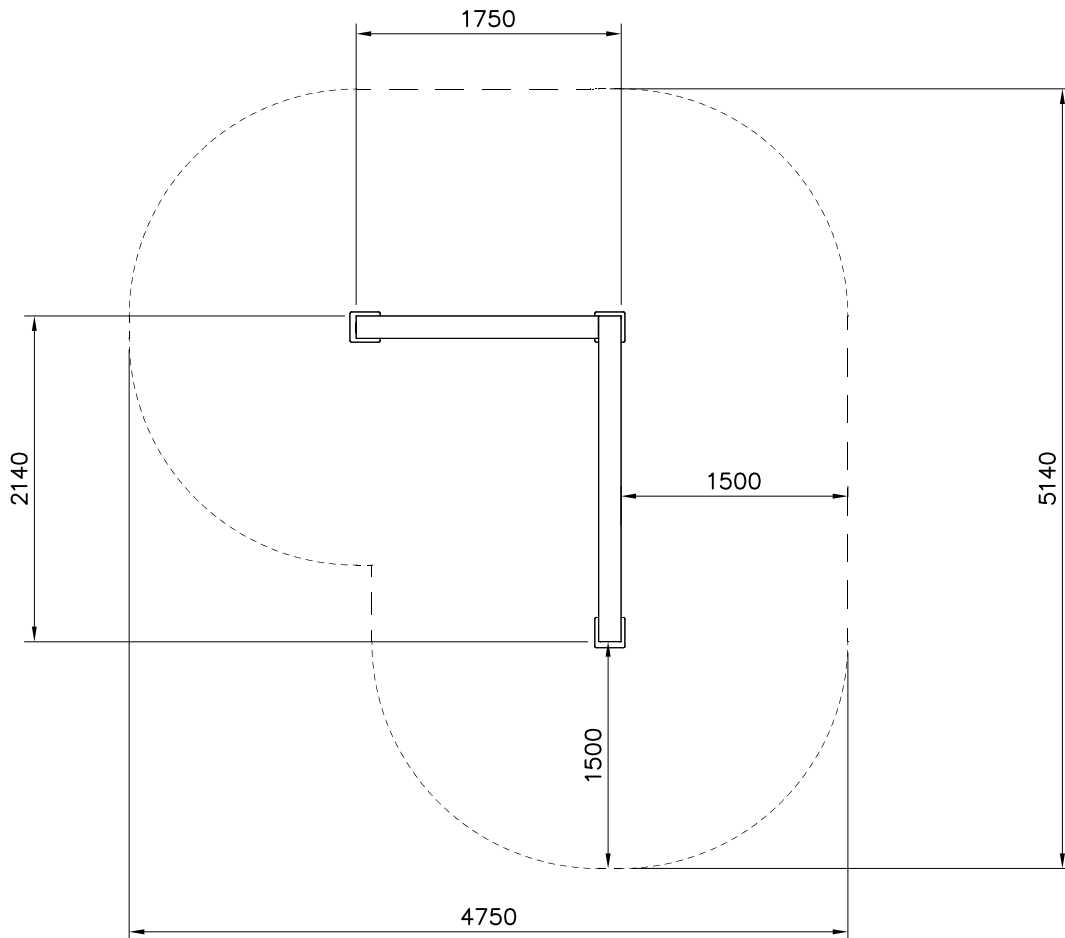
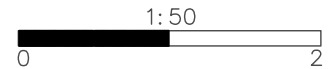


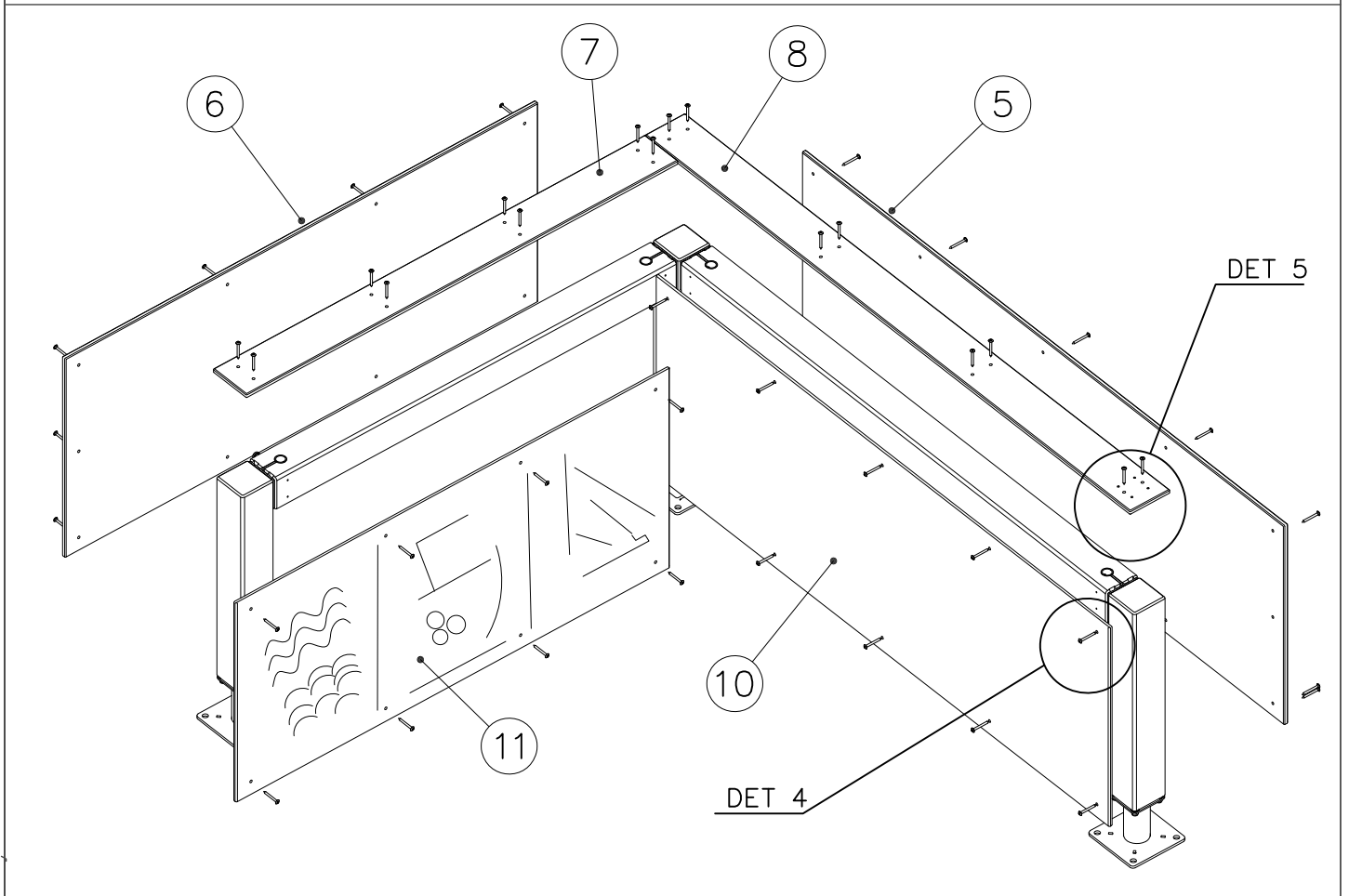
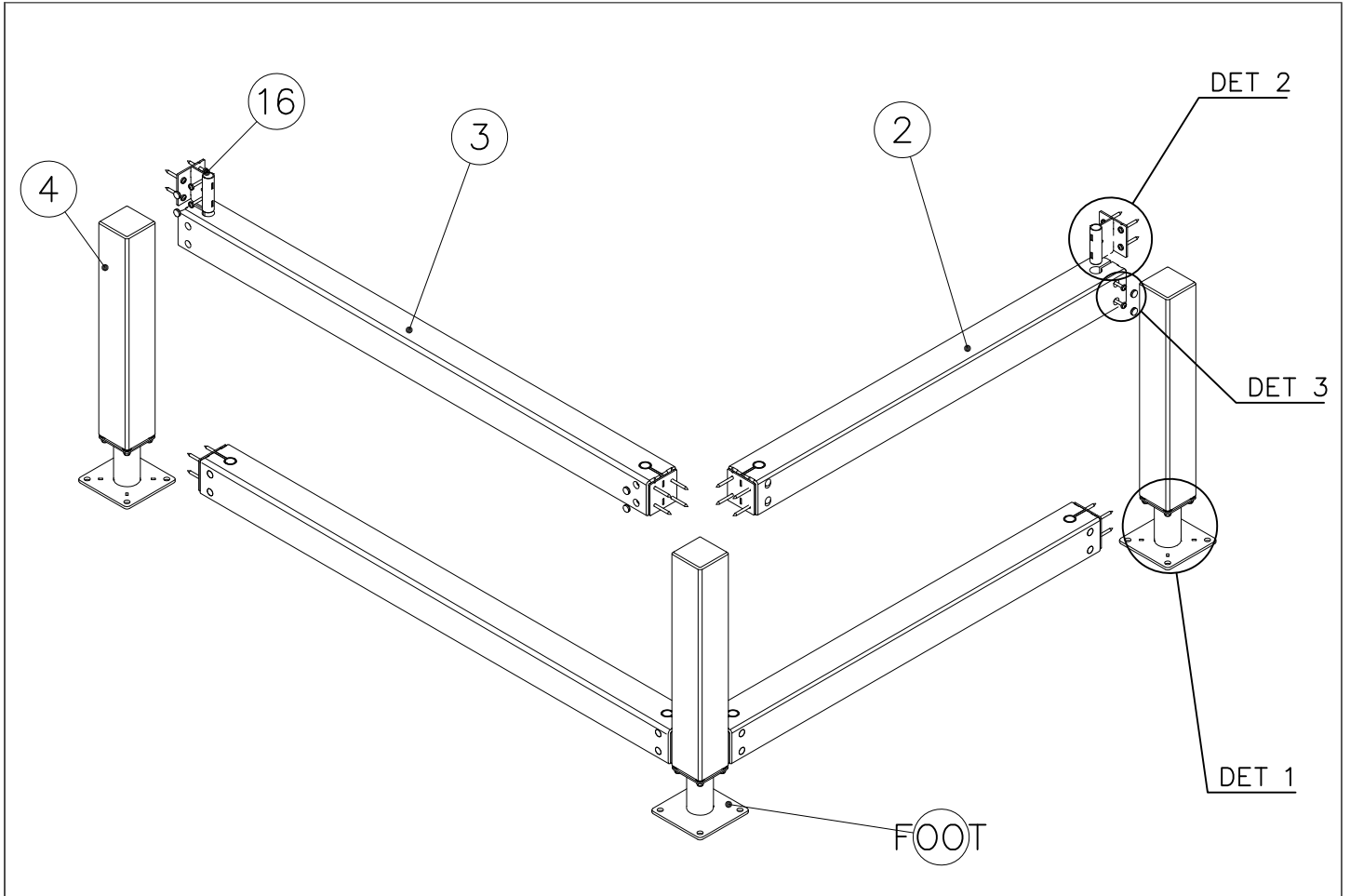
① 702286  65x65	PCS 1	② 707213  118x118x1490	PCS 2
③ 707517  118x118x1892	PCS 2	④ 708137  118x118x745	PCS 3
⑤ 708715  15x745x2140	PCS 1	⑥ 708716  15x745x1753	PCS 1
⑦ 708737  15x148x1601	PCS 1	⑧ 708738  15x148x2153	PCS 1
⑨ 708857 JIG  20x133x149	PCS 1	⑩ 911309 COLOR  12x745x2015	PCS 1
⑪ 911311 MURAL  12x745x1610	PCS 1	⑫ 900240  Ø8x70	PCS 32
⑬ 903093  Ø8x90	PCS 16	⑭ 905103  PT-28/32-H	PCS 8
⑮ 905112  Ø22	PCS 16	⑯ 910266  90x108x118	PCS 8
⑰ 980123  Ø7x60	PCS 56	⑱ 980114  Ø4x20	PCS 4

### FOOT OPTIONS

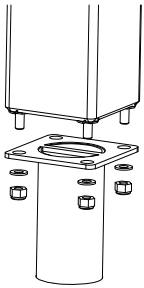
709261+		709262+	
○ 910330	PCS	○ 910567	PCS
SURFACE	3	CONCRETE	3
			
152x200x200		117x117x715	

----- Falling Space 18.8 m<sup>2</sup>  
Max Falling Height 920 mm

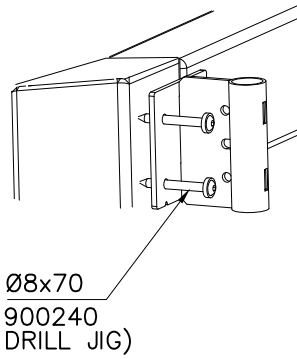




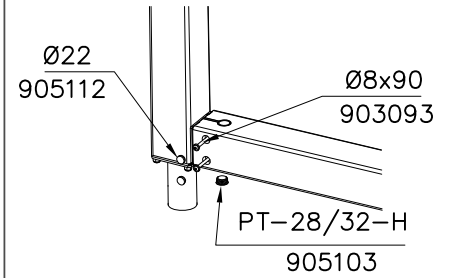
DET 1



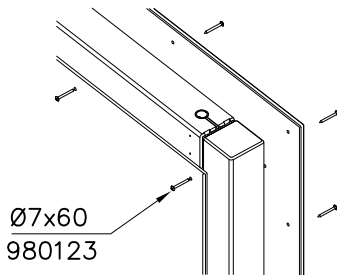
DET 2



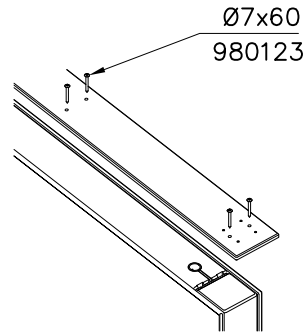
DET 3



DET 4



DET 5



JIG DET A (USE DET 2)

NOTE:  
Use drill jig 708857  
to predrill  $\text{Ø}5 \nabla 50$   
holes for 910266

