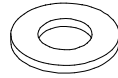
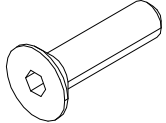



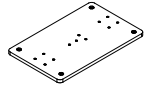
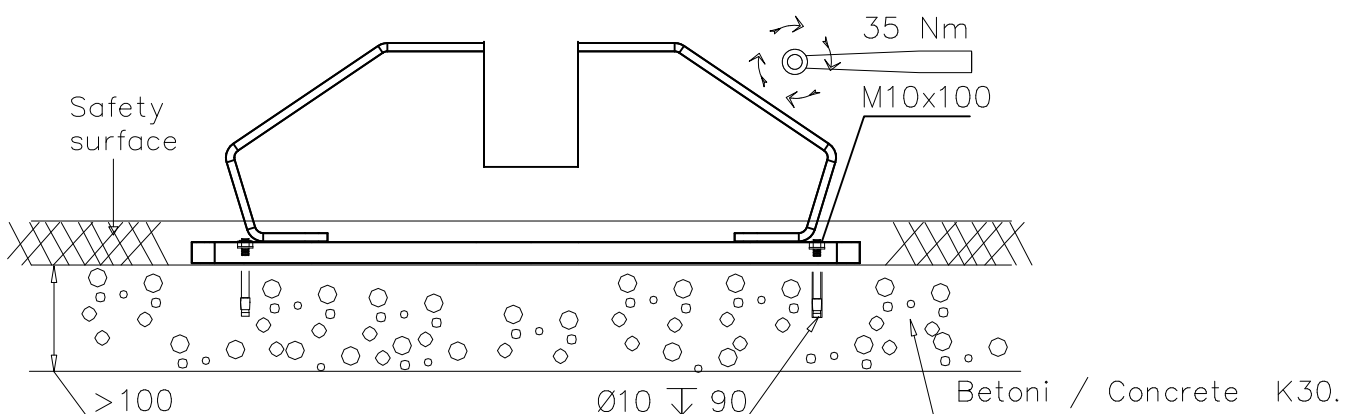
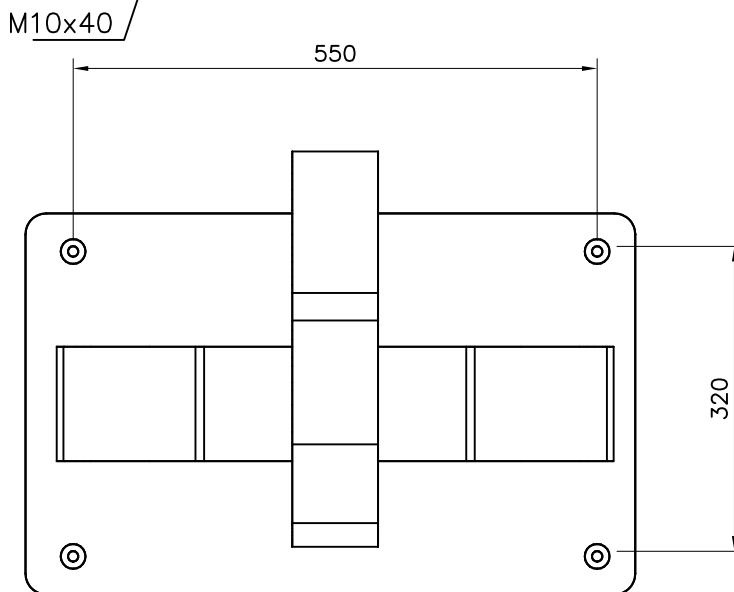
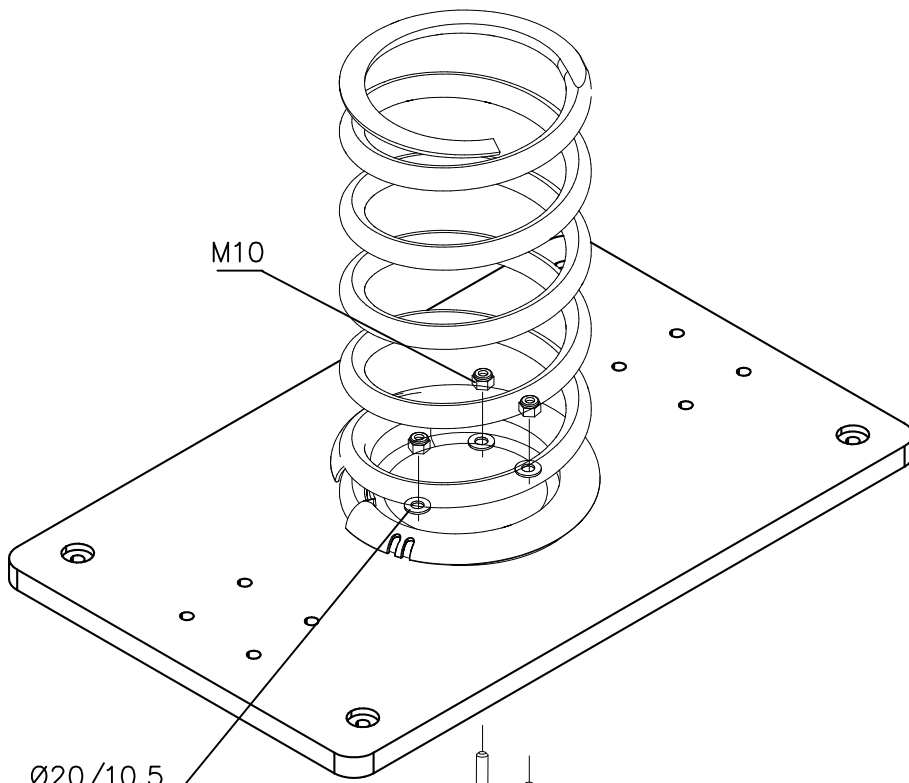
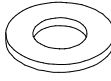
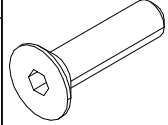


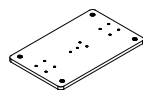
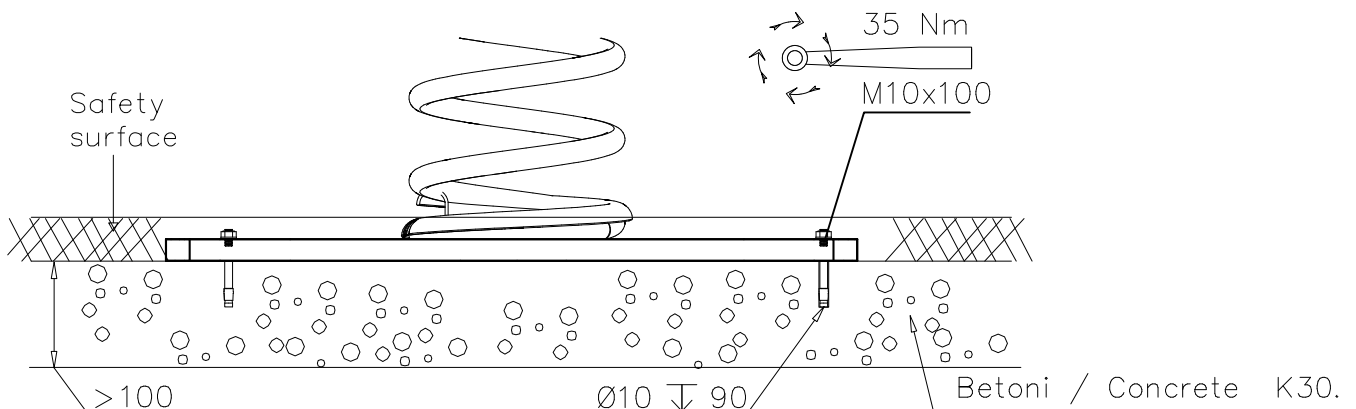
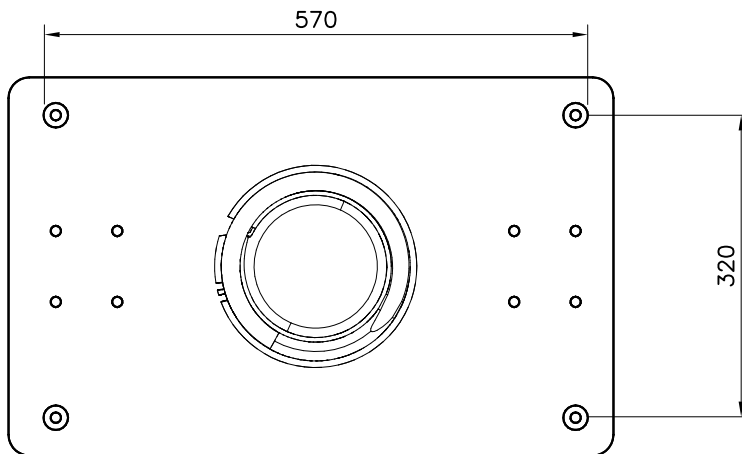


①	901302	PCS	②	901487	PCS
		4			4
	Ø20/10,5			M10x40	
③	909628	PCS	④	980161	PCS
		4			4
				M10	
	M10x100				
⑤	707750	PCS			PCS
		1			
	20x400x640				





① 901302	PCS	② 901487	PCS
	3		3
Ø20/10,5		M10x40	
③ 909628	PCS	④ 980161	PCS
	4		3
M10x100		M10	
⑤ 707750	PCS		PCS
	1		
20x400x640			



In case of concrete block

