
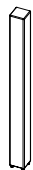
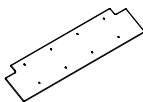

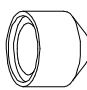

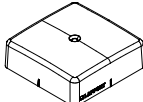

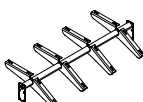

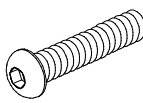


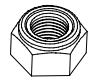
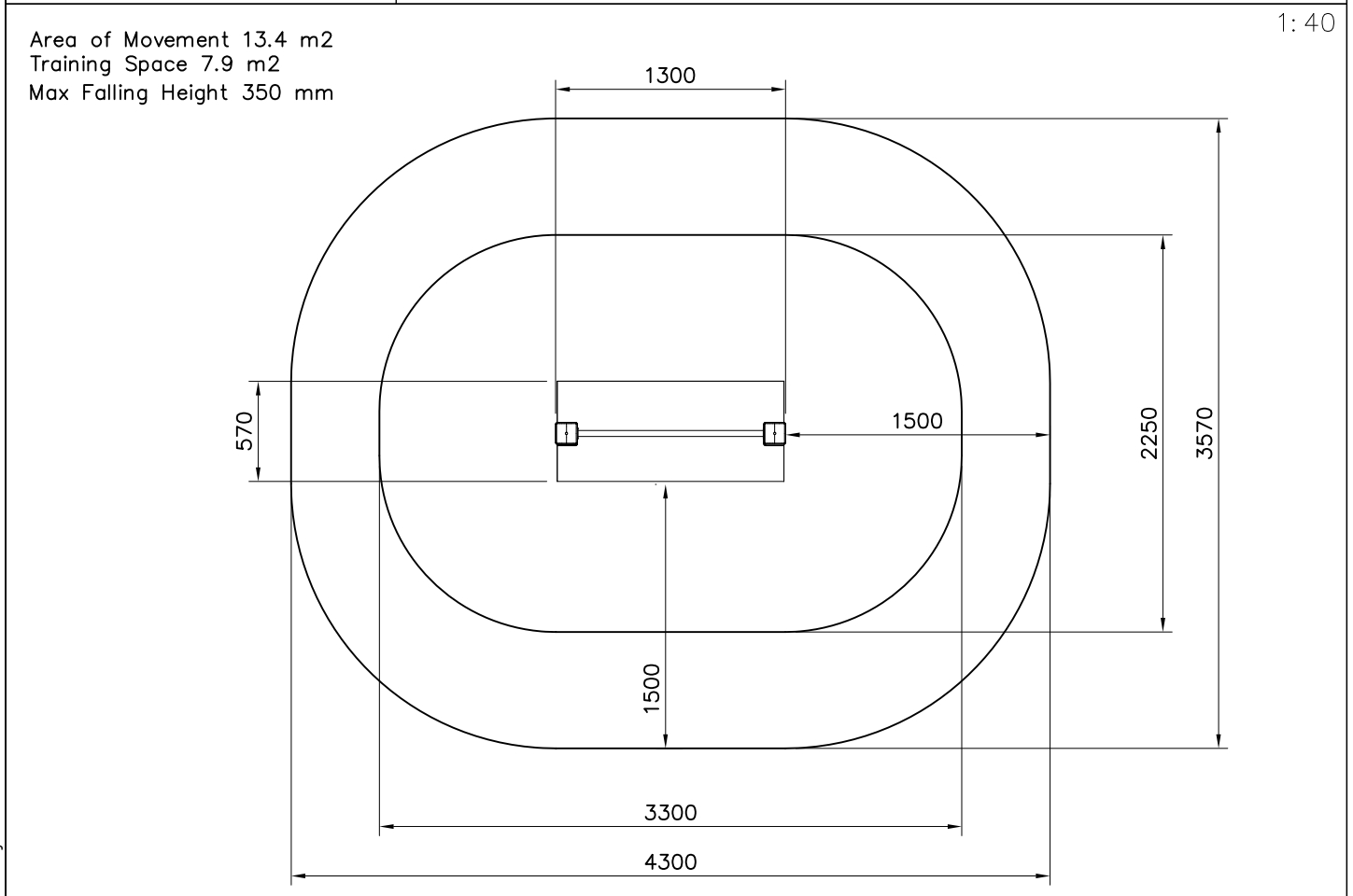
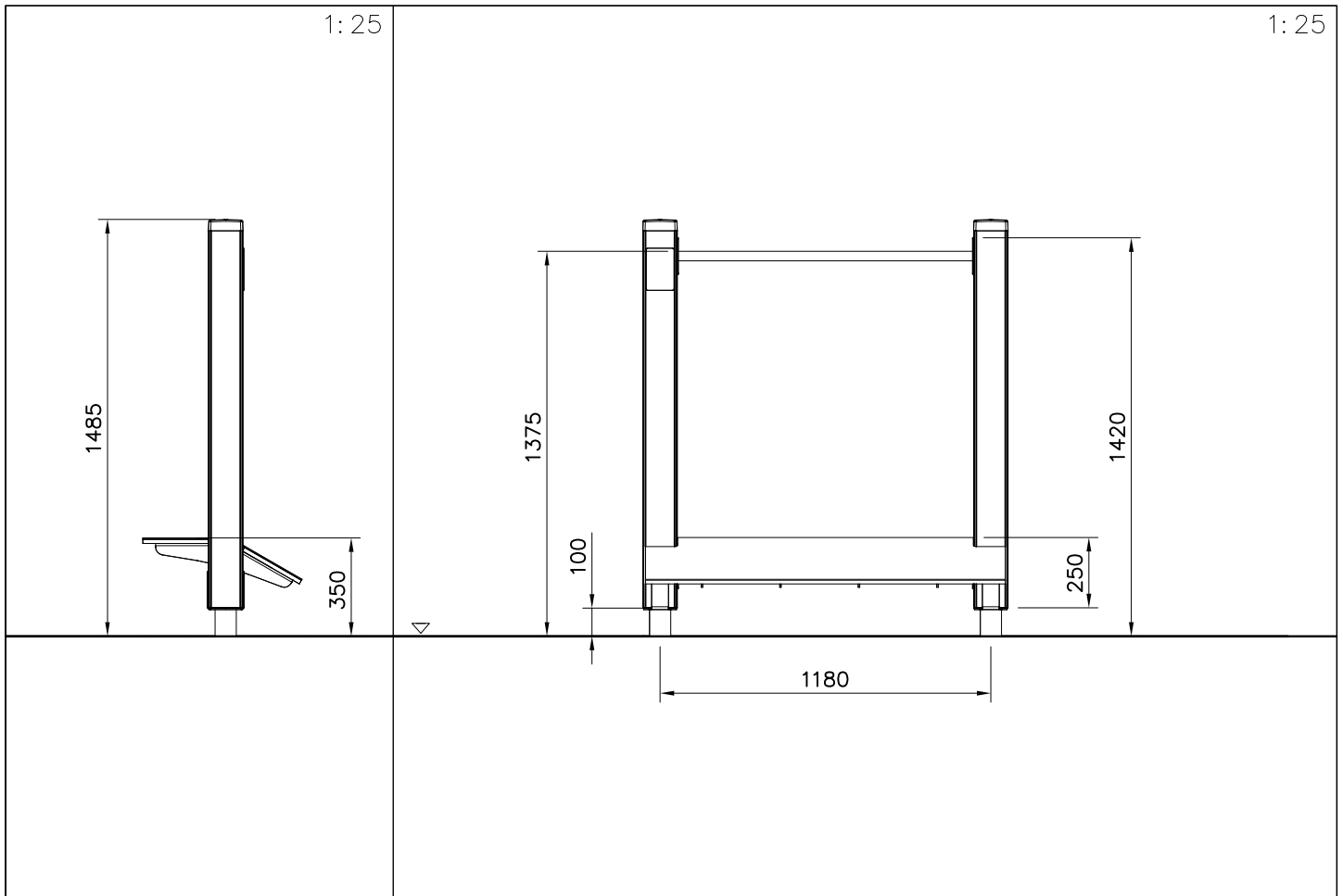
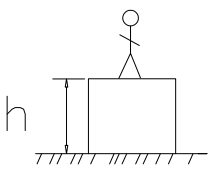



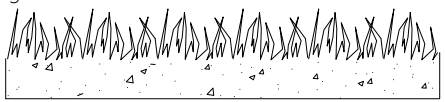
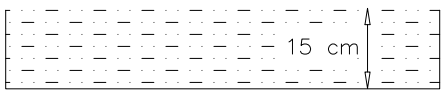
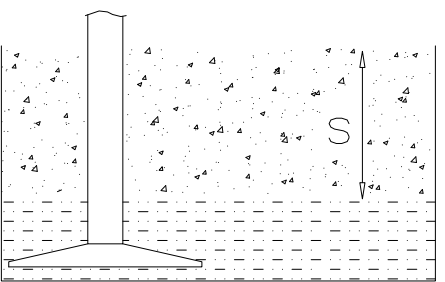
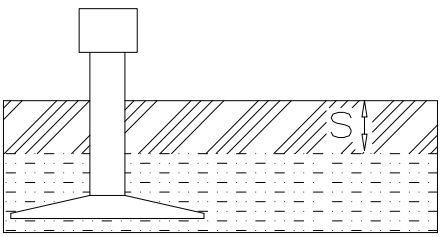
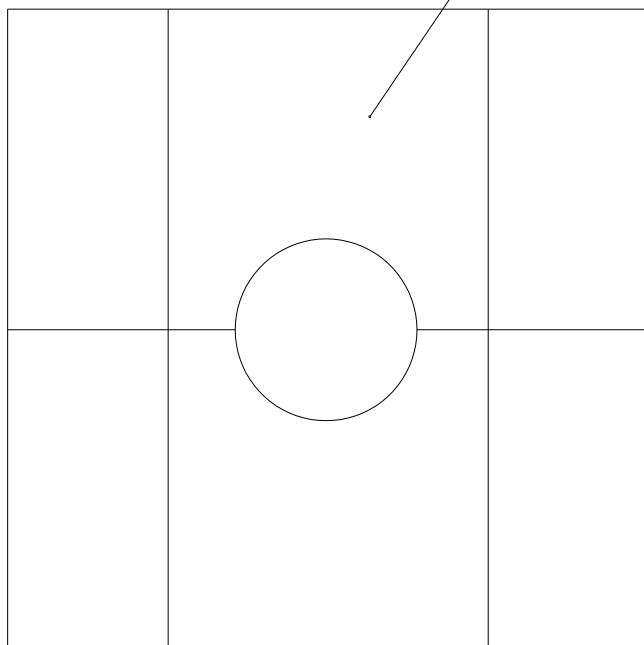


①	706056	PCS	②	704946	PCS
		1			2
				120x120x1350	
③	705585	PCS	④	980114	PCS
		2			4
	1284x298x19			Ø4x20	
⑤	905104	PCS	⑥	905761	PCS
		8			2
	M10			120x120x700	
⑦	905830	PCS	⑧	905838	PCS
		2			1
	123x123x40			1060 Lime	
⑨	906613	PCS	⑩	909256	PCS
		1			56
	1060x490x161			Ø16/8.4x1.6	
⑪	909873	PCS	⑫	980104	PCS
		16			2
	M8x40			Ø5x90	
⑬	980123	PCS	⑭	980160	PCS
		24			16
	Ø7x60			M8	
		PCS			PCS

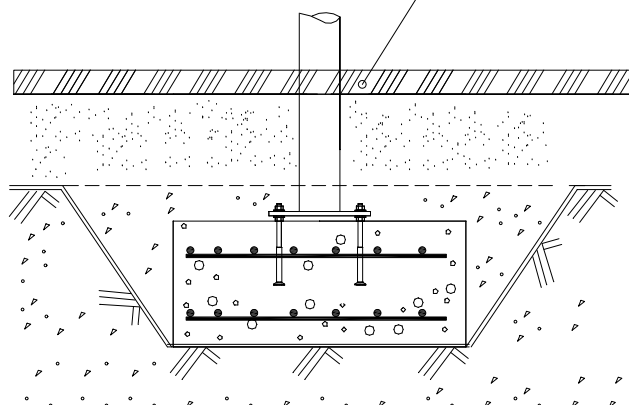


												
<p>$h < 600$</p> <p>Without movement and therefore without Impact Area</p>	<p>Totally hard surfaces.</p> <p>Note. Lappset does <u>not recommend</u> totally hard surfaces at all.</p>	<p>E.g. concrete or asphalt</p> 										
<p>$h < 600$</p> <p>With movement e.g. rocking</p>	<p>Materials with very limited impact attenuating properties.</p>	<p>E.g. wood</p> 										
<p>$h < 1000$</p>	<p>Materials with significant impact attenuating properties.</p>	<p>fine gravel 0–8 mm</p>  <p>grass</p>  <p>unsorted sand</p> 										
<p>$h < 3000$</p>	<p>Loose fill material</p> <p>E.g. sand/gravel 0,25...8 mm D60/D10<3,0 Woodchips 5...30 mm bark 20...80 mm</p>	 <table data-bbox="1021 1680 1356 1792"> <tr> <td>\underline{S}</td> <td>\underline{h}</td> </tr> <tr> <td>30 cm</td> <td>< 2,0 m</td> </tr> <tr> <td>40 cm</td> <td>< 3,0 m</td> </tr> </table>	\underline{S}	\underline{h}	30 cm	< 2,0 m	40 cm	< 3,0 m				
\underline{S}	\underline{h}											
30 cm	< 2,0 m											
40 cm	< 3,0 m											
	<p>Syntethic granulates</p> <table data-bbox="399 1881 766 2060"> <tr> <td>\underline{S}</td> <td>\underline{h}</td> </tr> <tr> <td>40 mm</td> <td>~> 1,2...1,3 m</td> </tr> <tr> <td>50 mm</td> <td>~> 1,5...1,7 m</td> </tr> <tr> <td>60 mm</td> <td>~> 1,8...2,0 m</td> </tr> <tr> <td>70 mm</td> <td>~> 2,1...2,5 m</td> </tr> </table> <p>Note. For accurate values, see manufacturer's instructions.</p>	\underline{S}	\underline{h}	40 mm	~> 1,2...1,3 m	50 mm	~> 1,5...1,7 m	60 mm	~> 1,8...2,0 m	70 mm	~> 2,1...2,5 m	
\underline{S}	\underline{h}											
40 mm	~> 1,2...1,3 m											
50 mm	~> 1,5...1,7 m											
60 mm	~> 1,8...2,0 m											
70 mm	~> 2,1...2,5 m											

REMOVE SAFETY SURFACE/SAND/GRAVEL
TO CHECK FOUNDATION

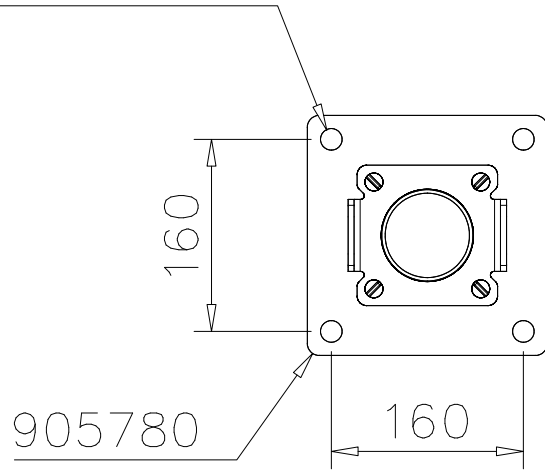


REMOVE SAFETY SURFACE/SAND/GRAVEL
TO CHECK FOUNDATION

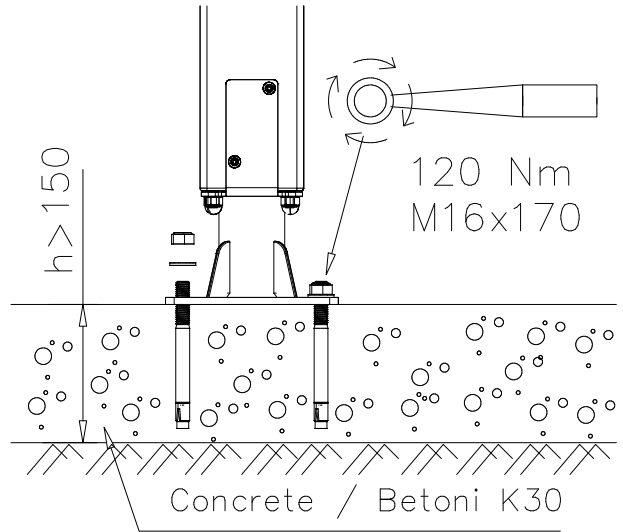


DET 1

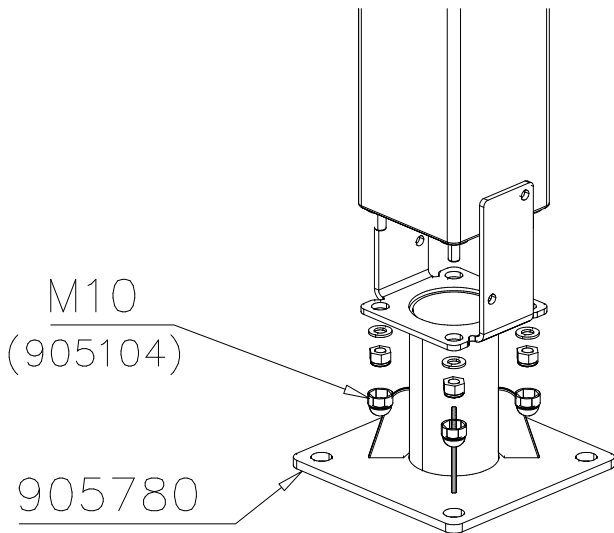
$\varnothing 16 \downarrow > 130$



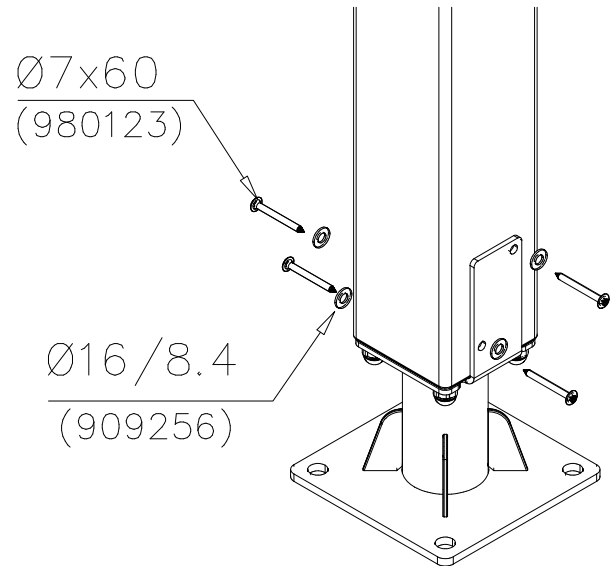
DET 2



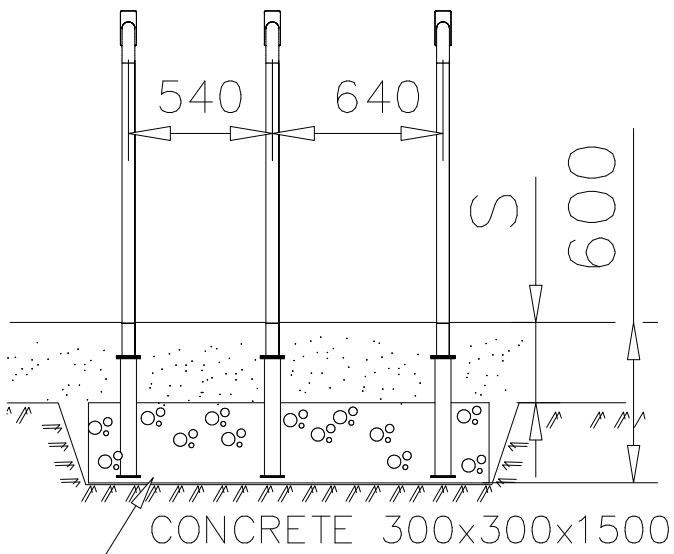
DET 3



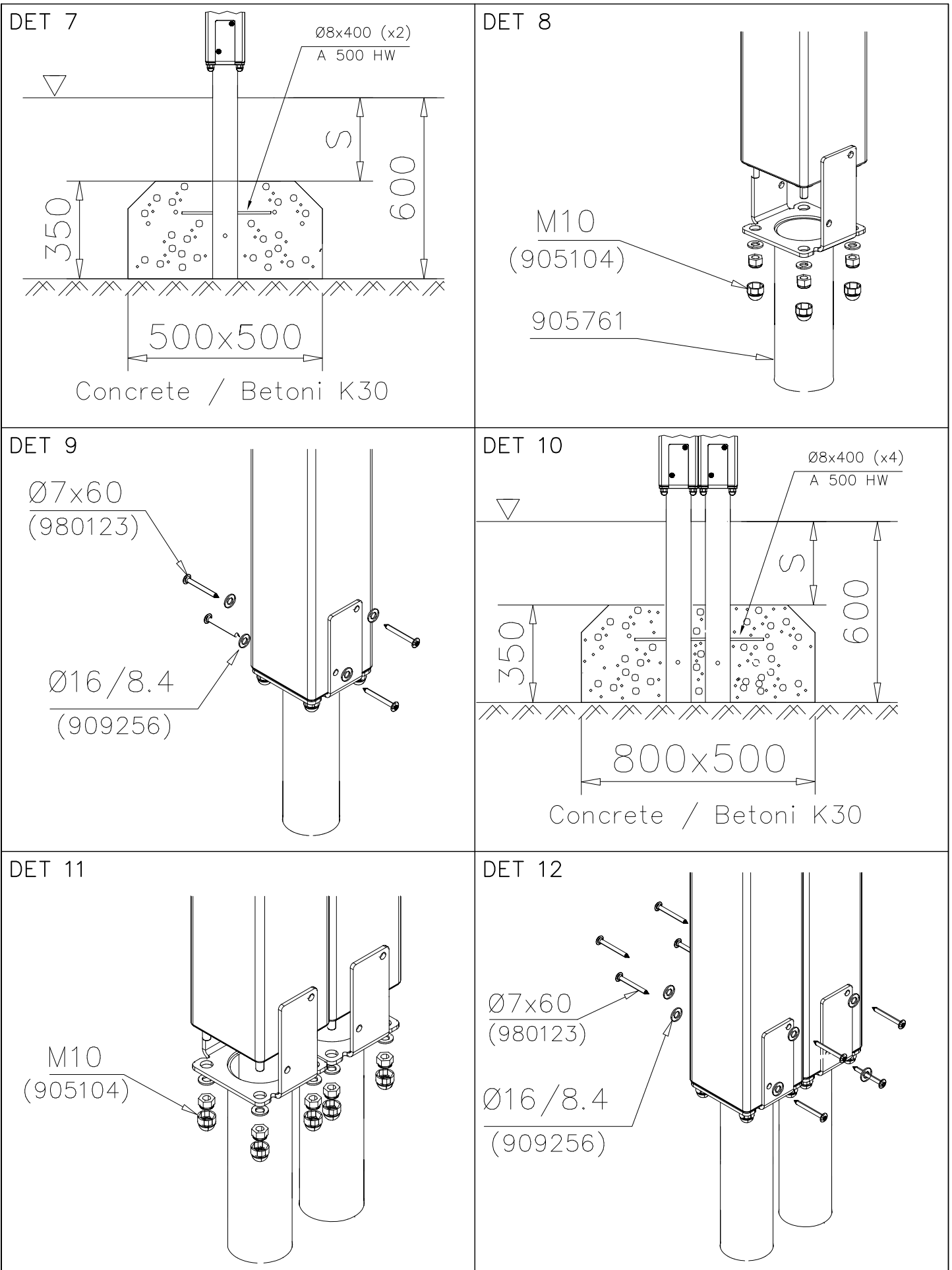
DET 4



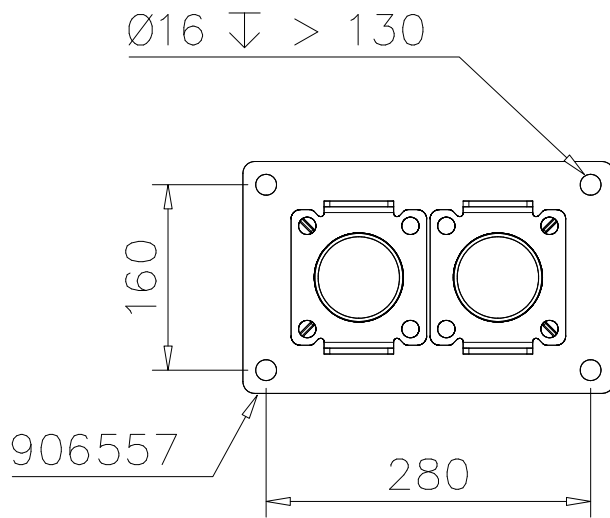
DET 5



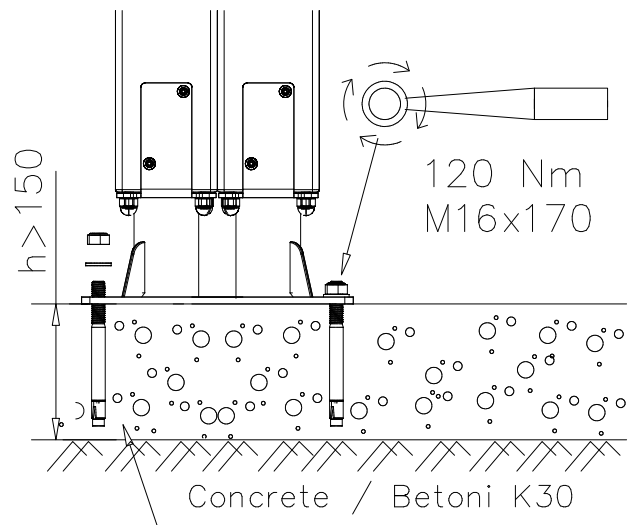
DET 6



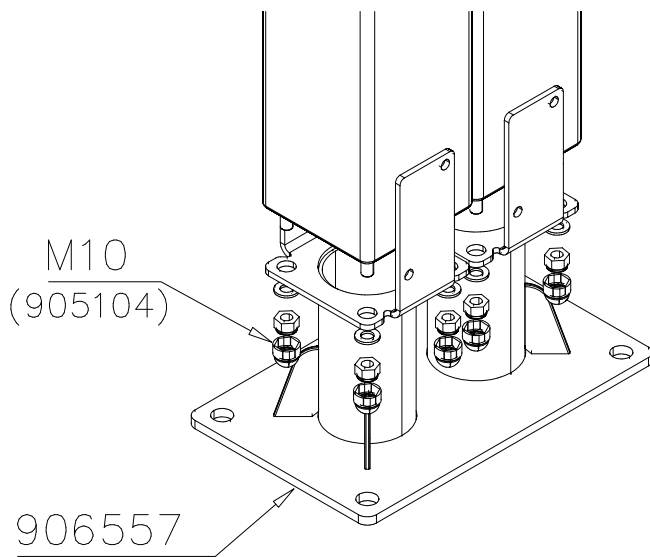
DET 13



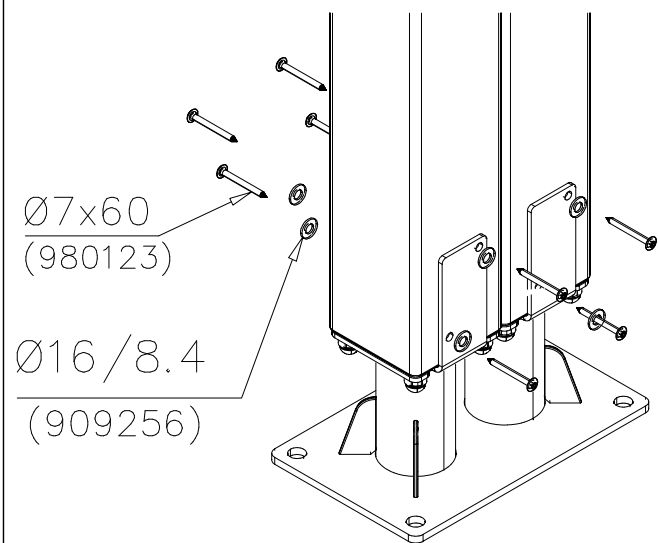
DET 14



DET 15

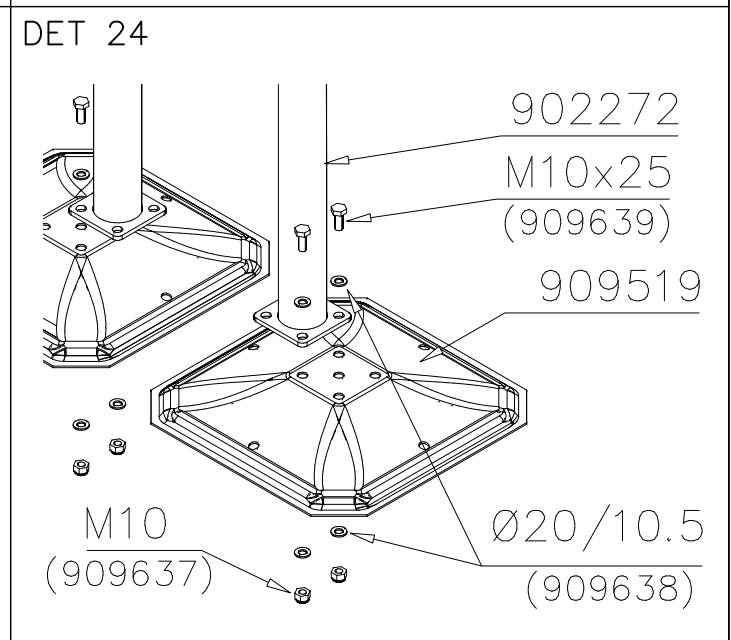
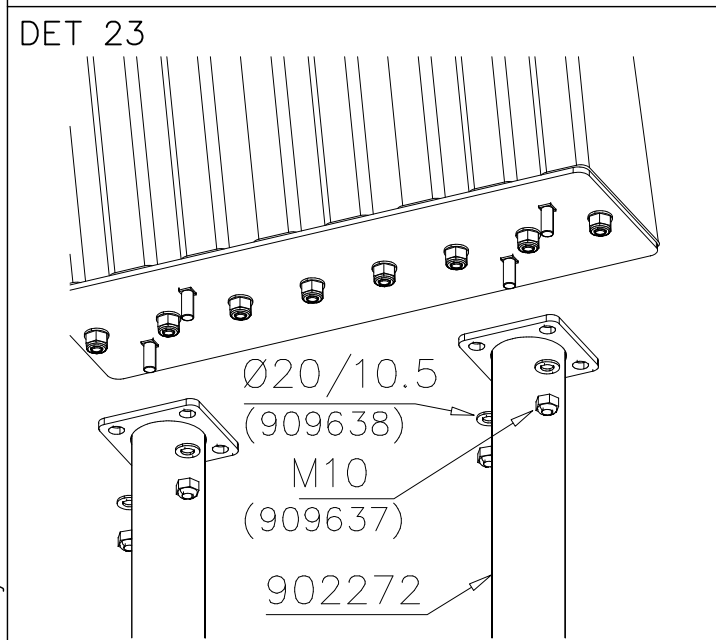
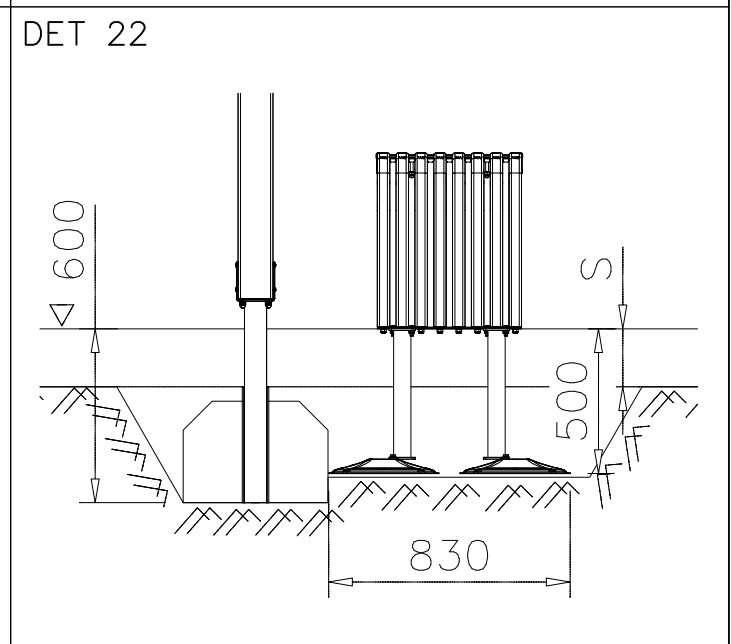
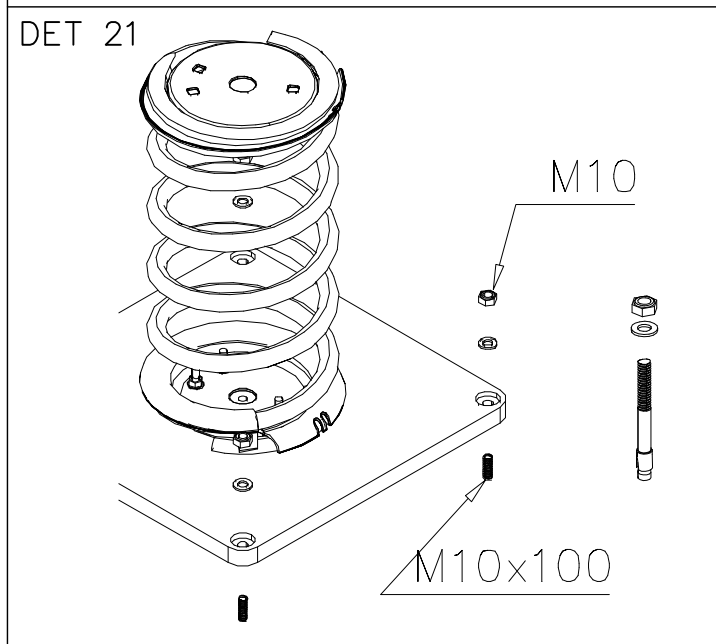
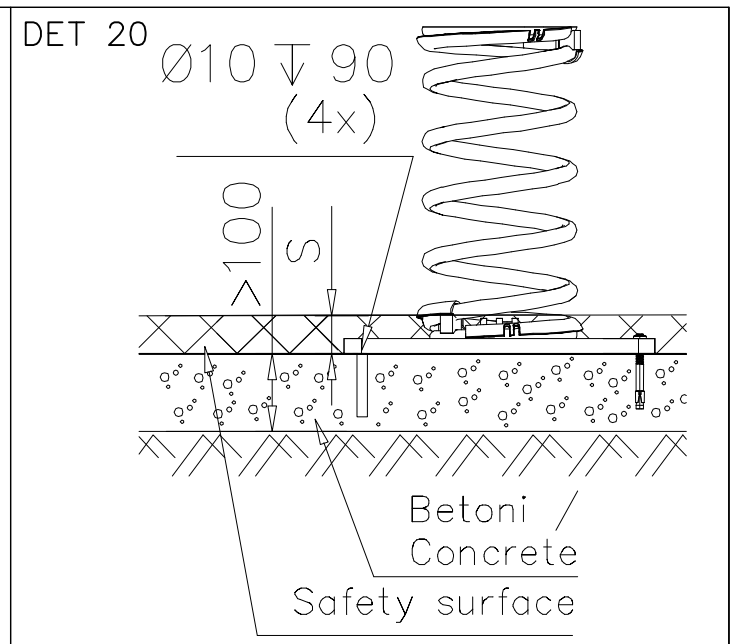
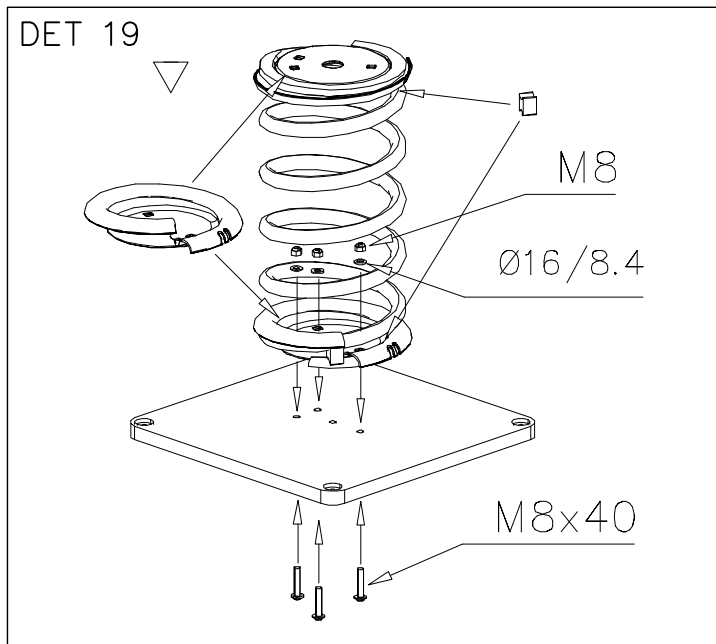


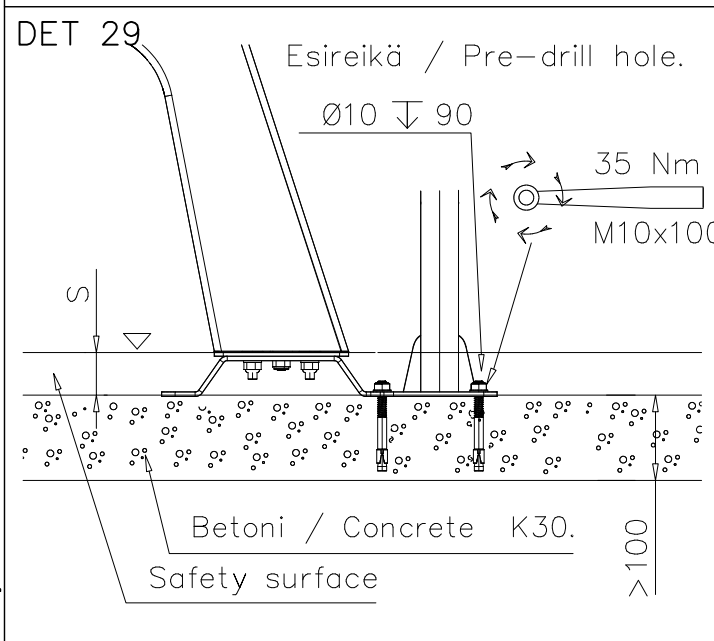
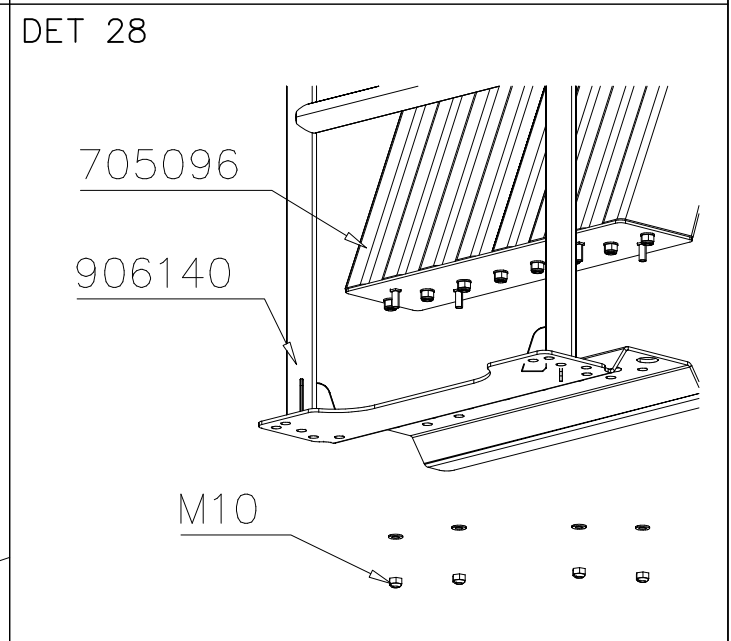
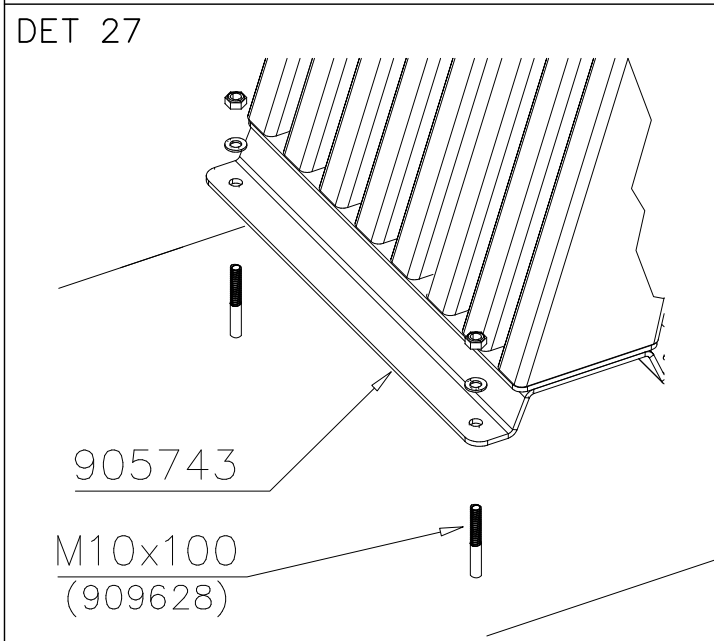
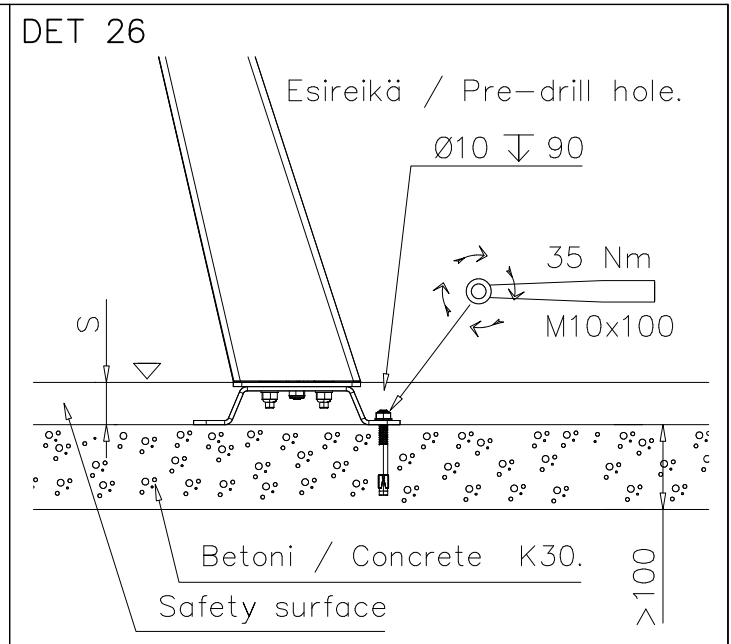
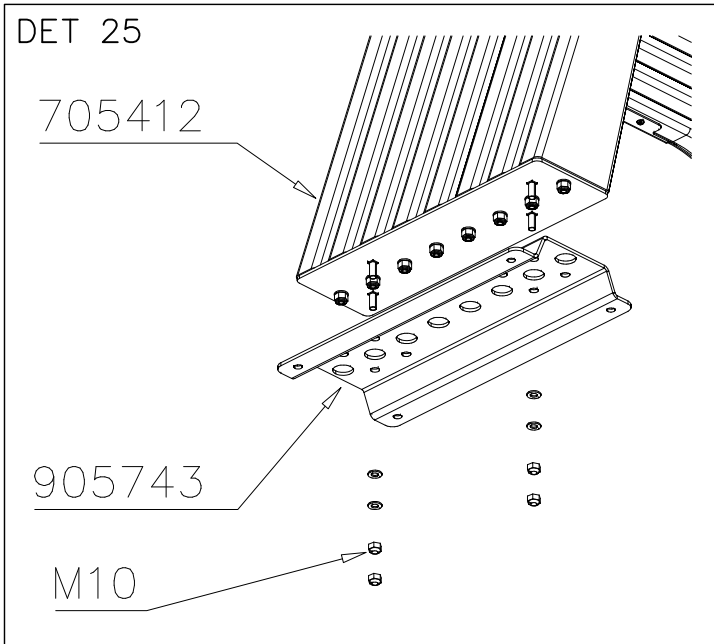
DET 16

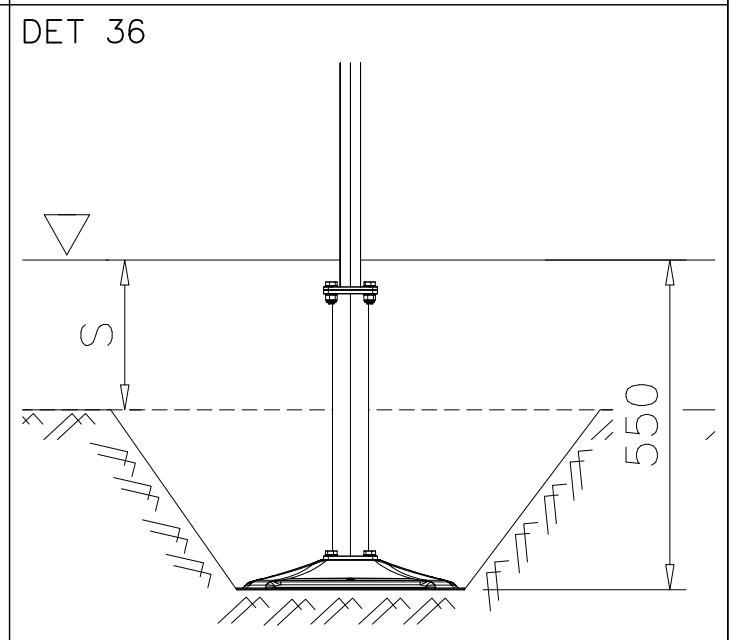
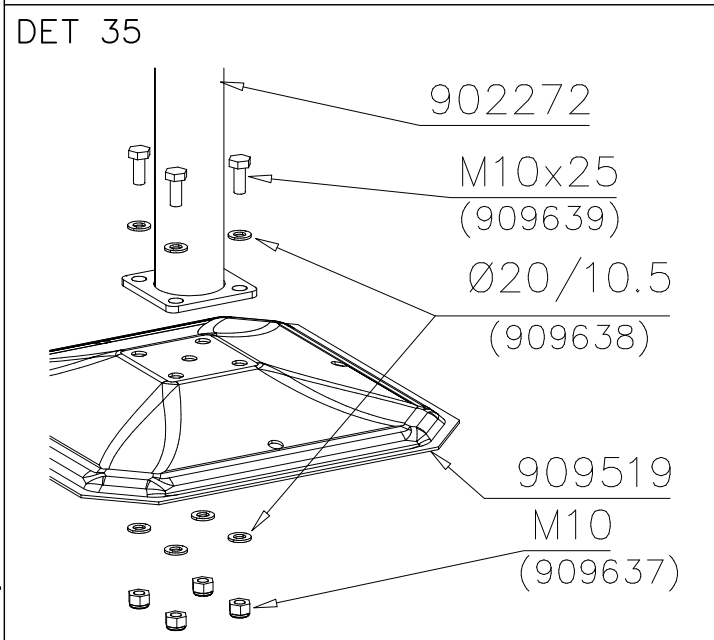
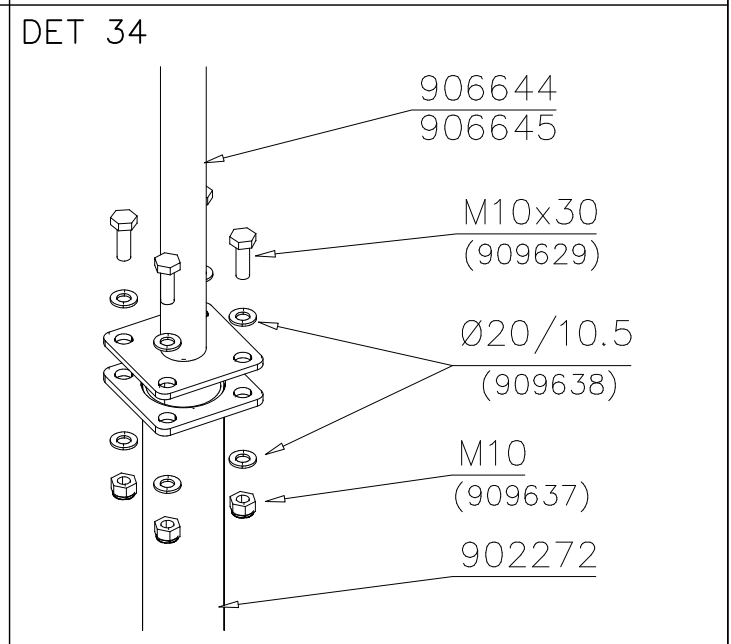
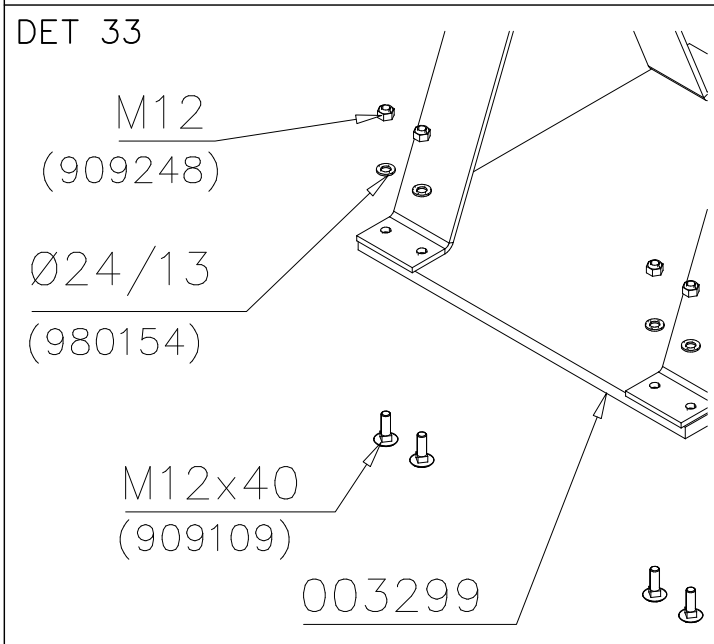
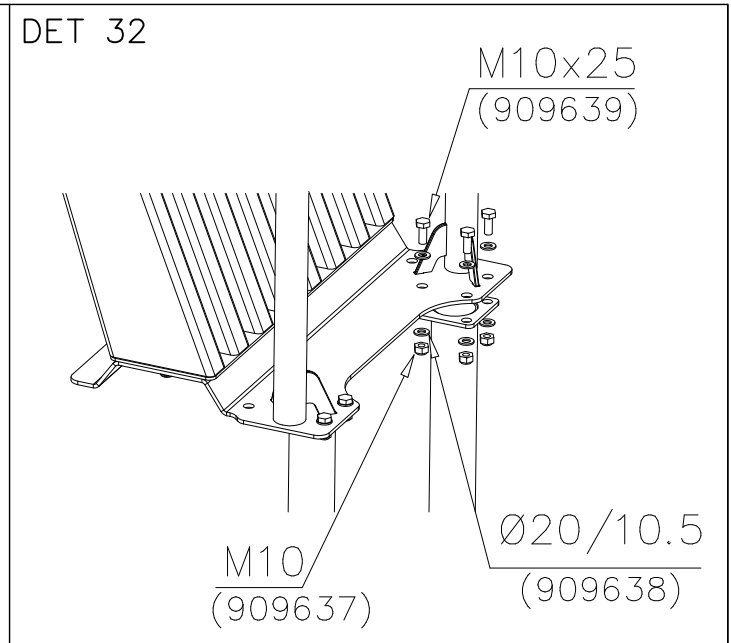
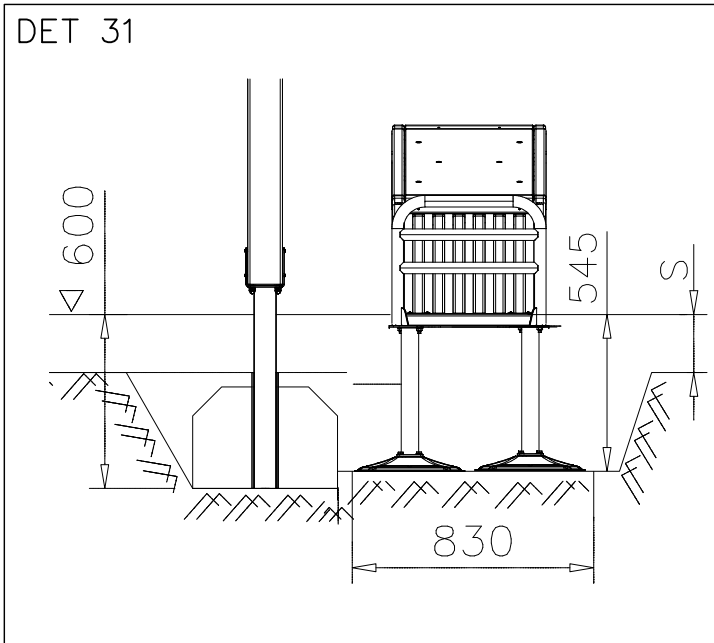


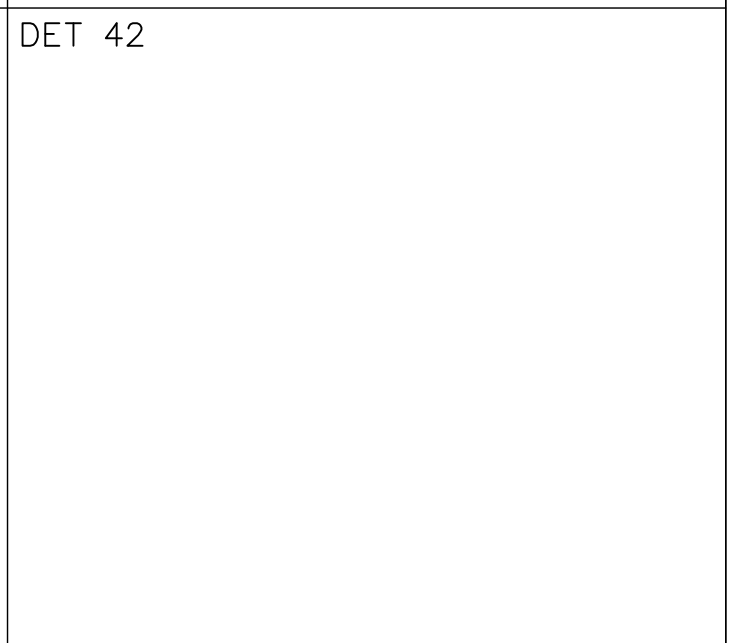
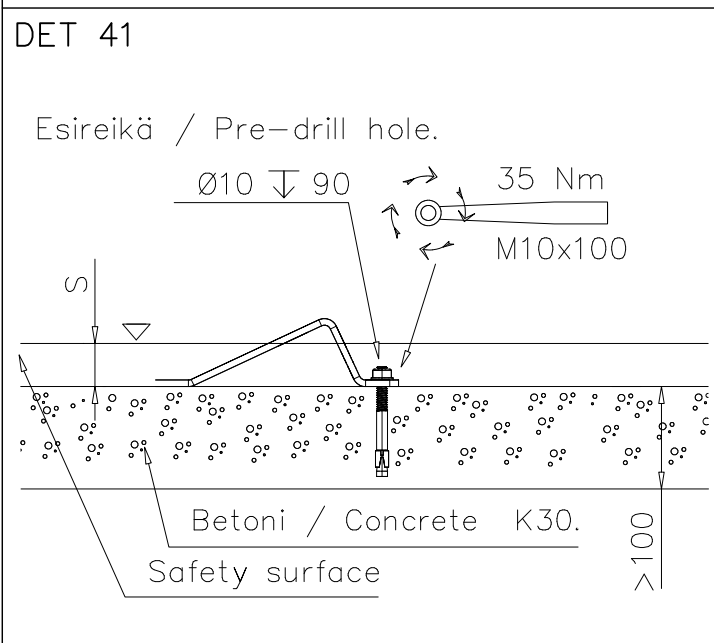
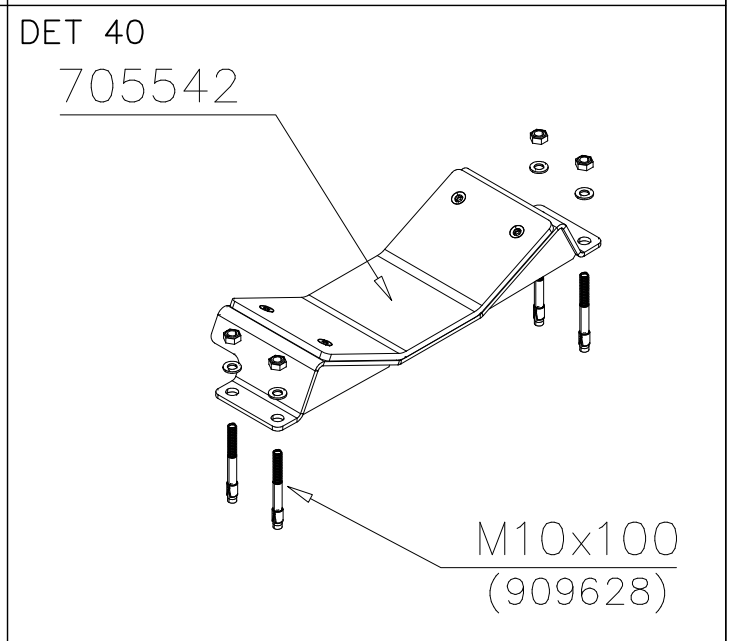
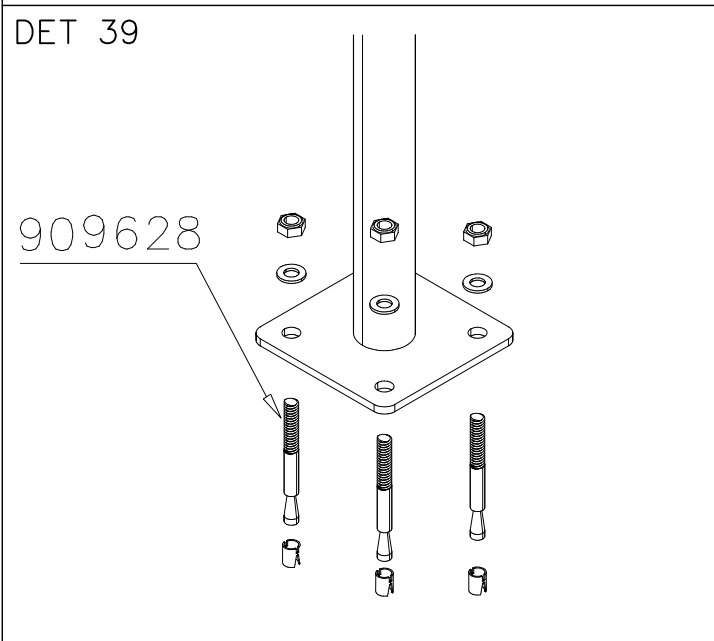
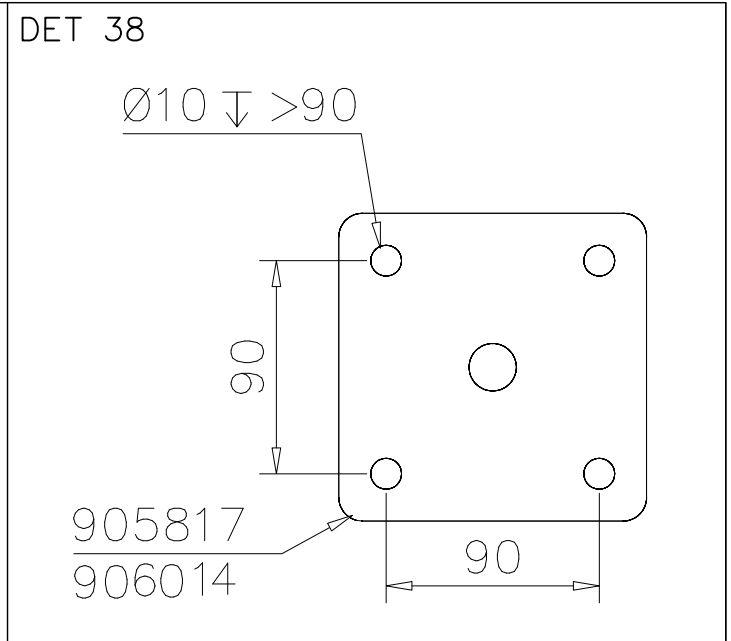
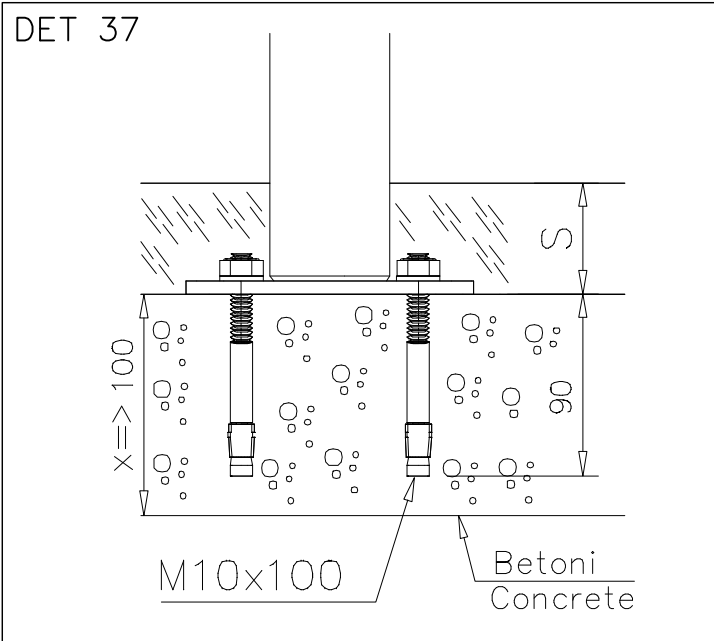
DET 17

DET 18





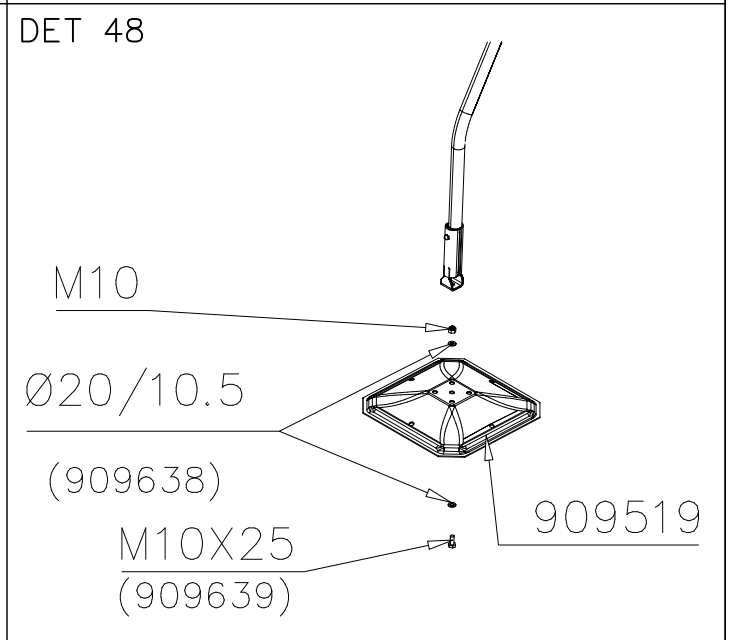
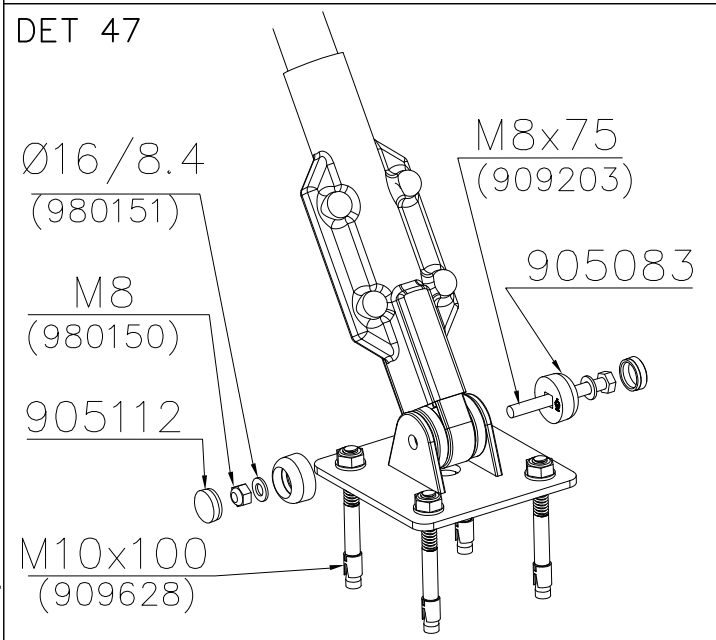
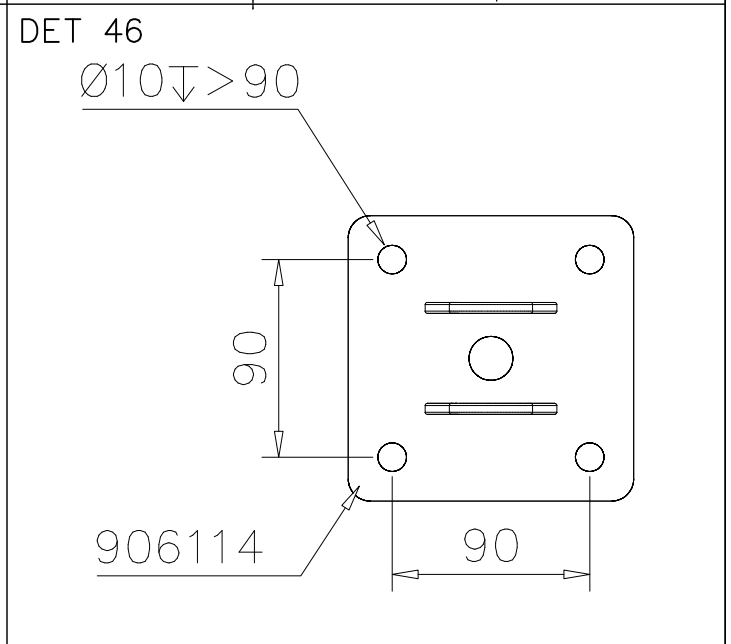
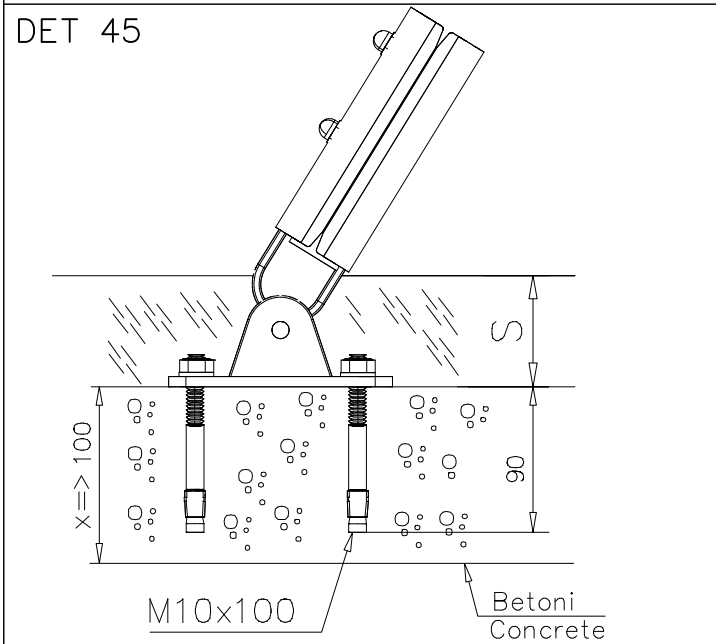
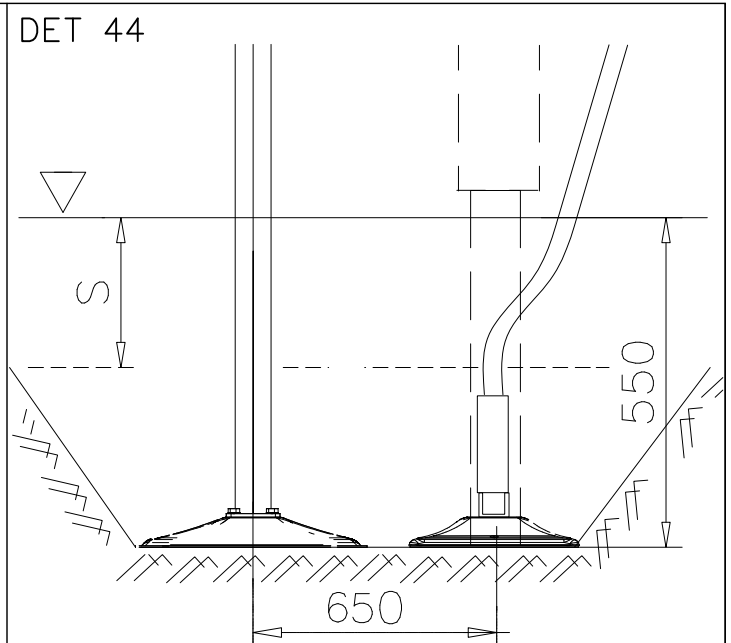
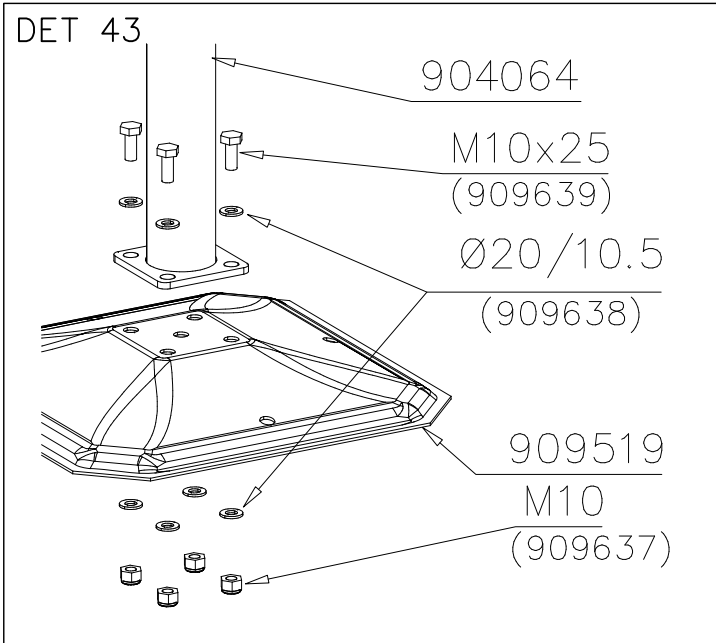


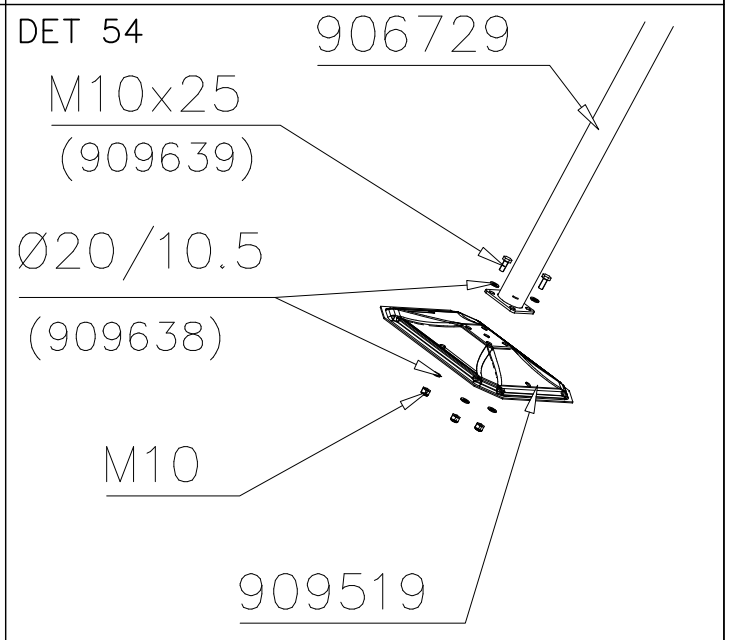
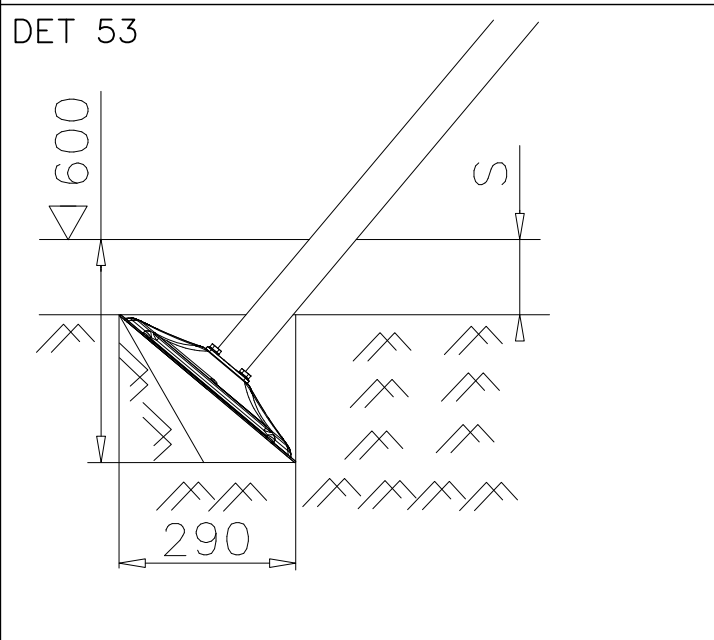
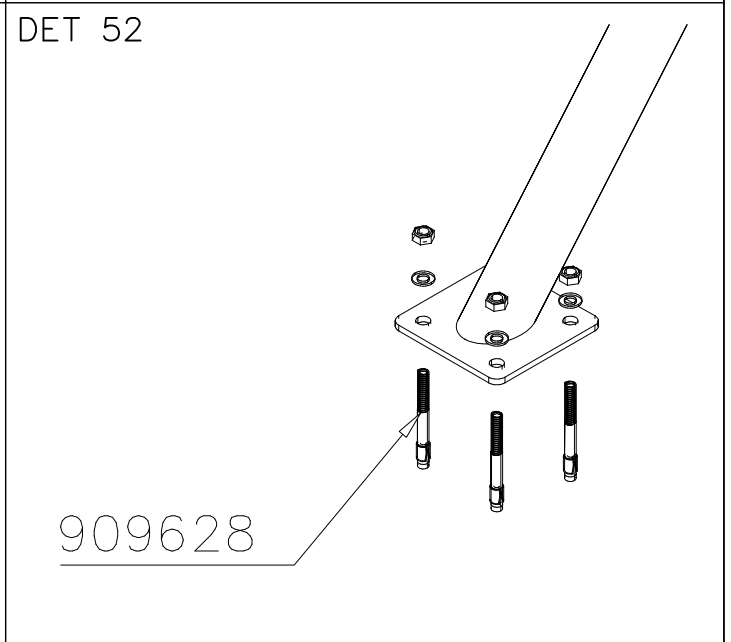
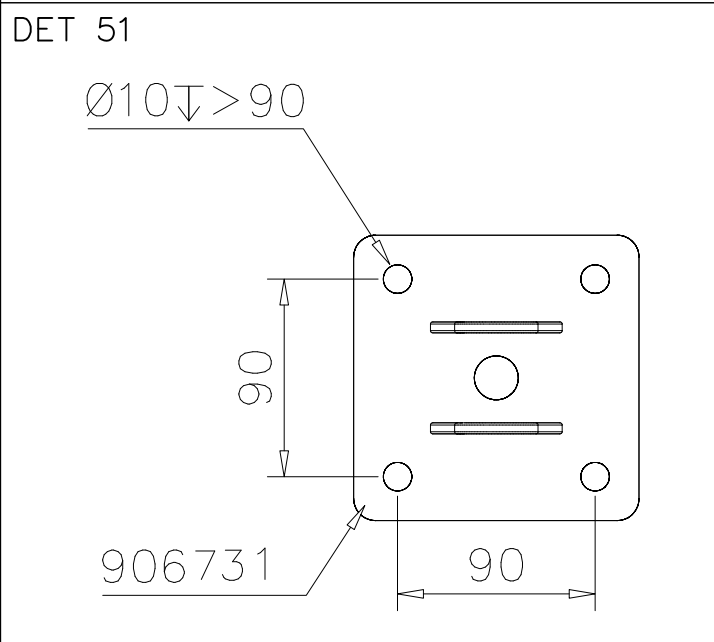
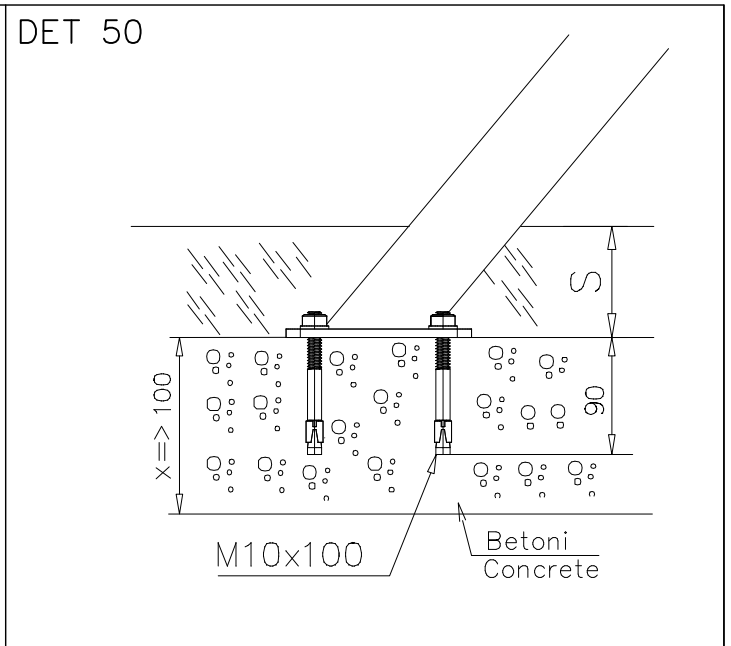
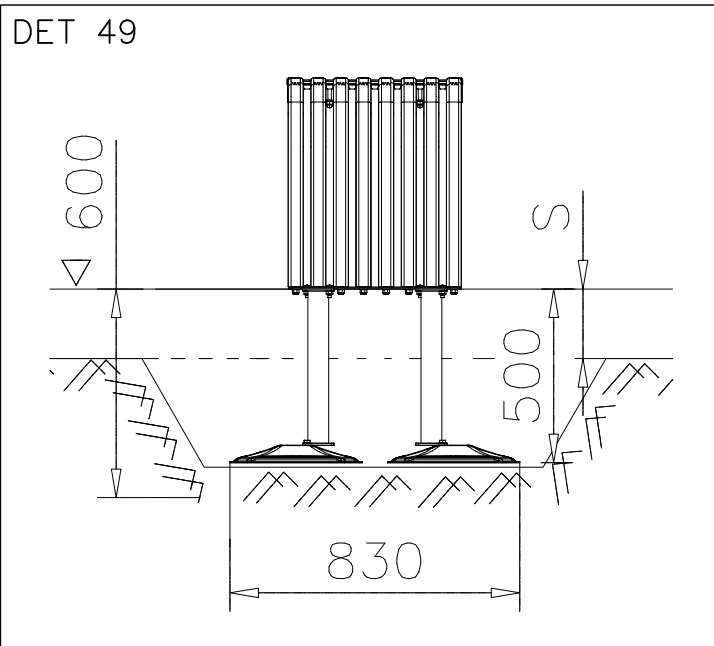


WINAM GROUP SPORT

BASE

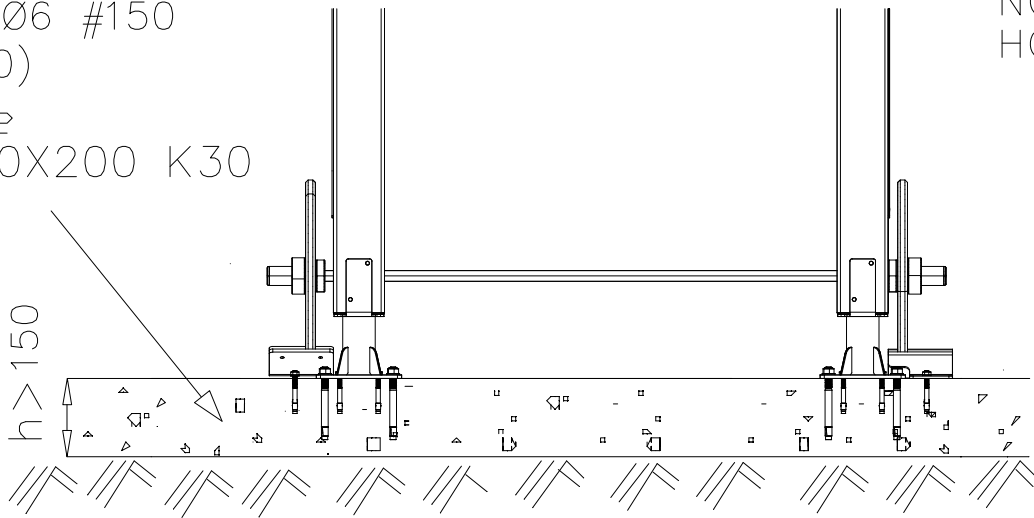
DATE: 15.8.2017



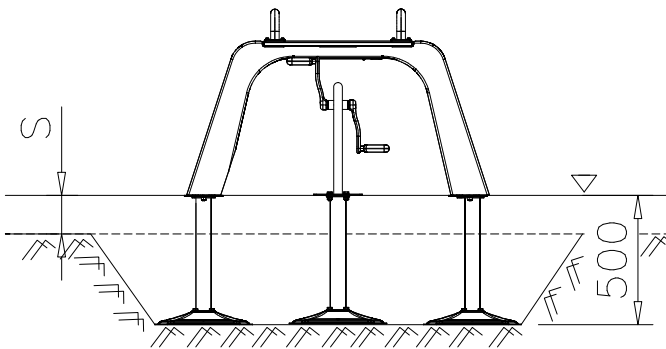


DET 55

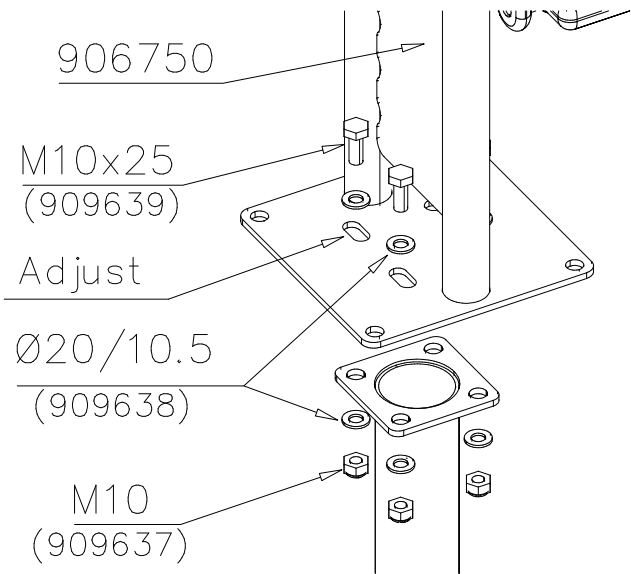
STEELNET Ø6 #150
(1400x2100)
Concrete
1500X2200X200 K30



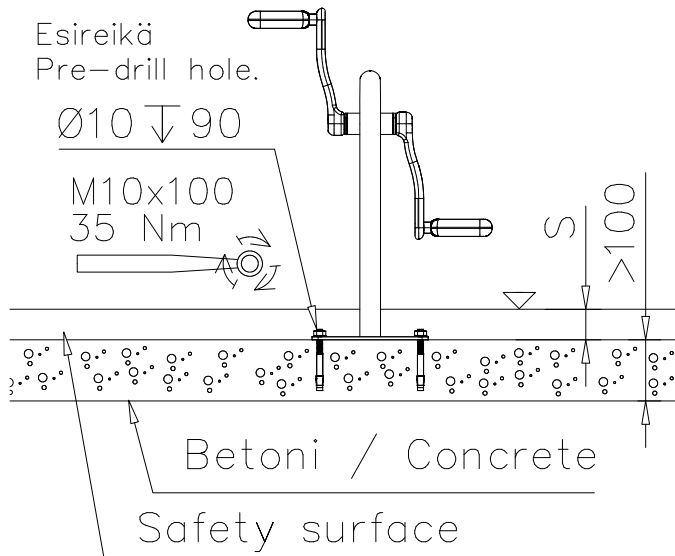
DET 56



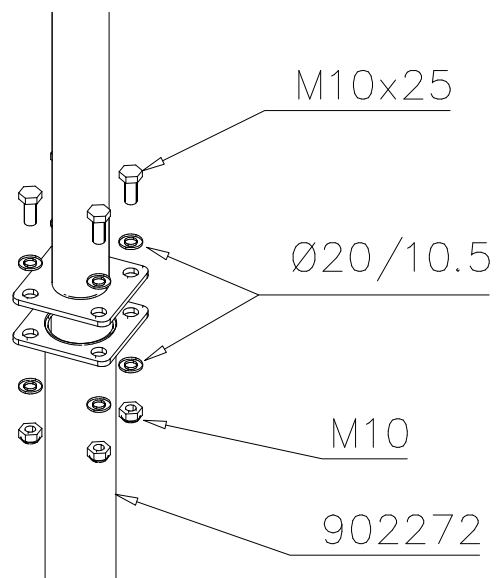
DET 57

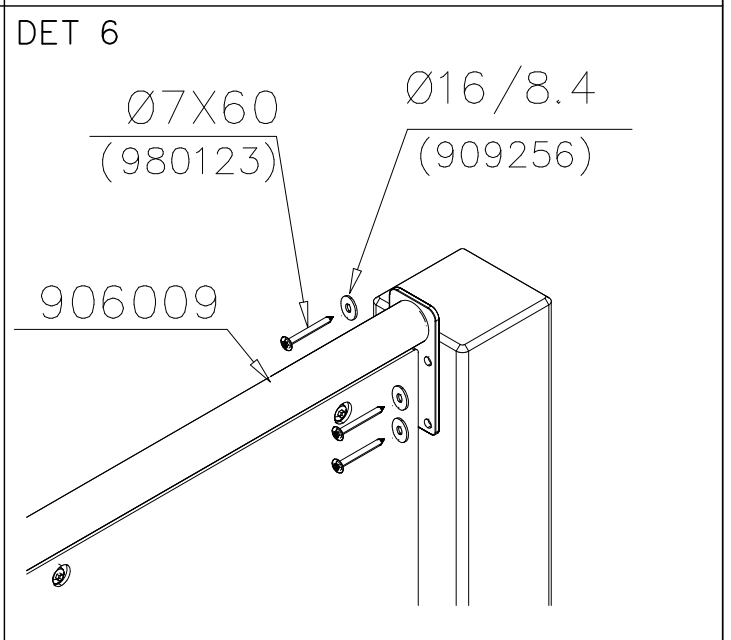
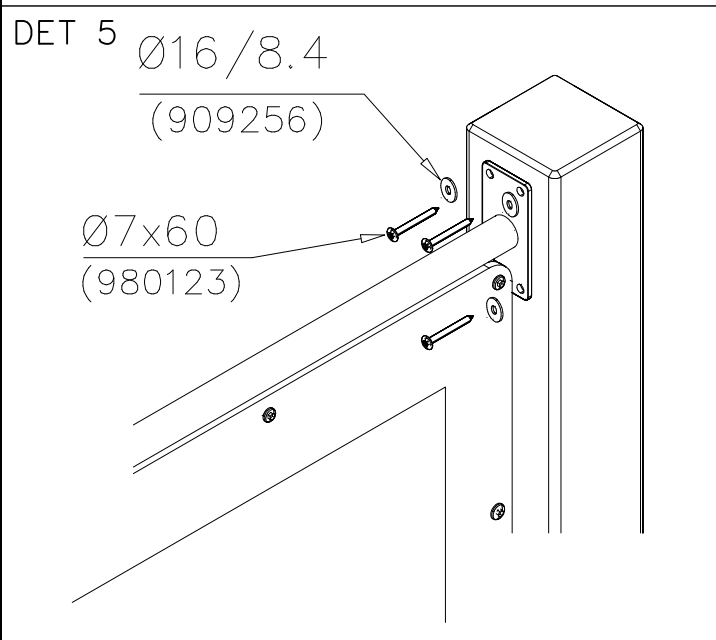
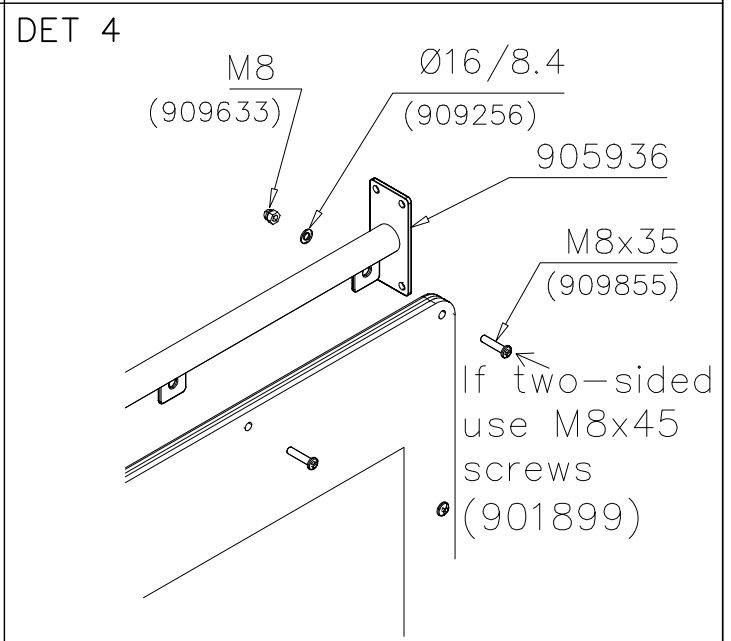
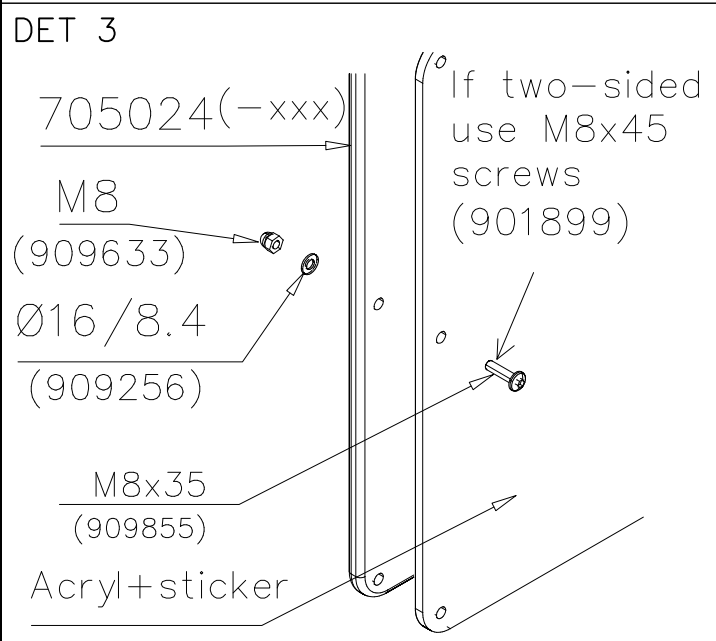
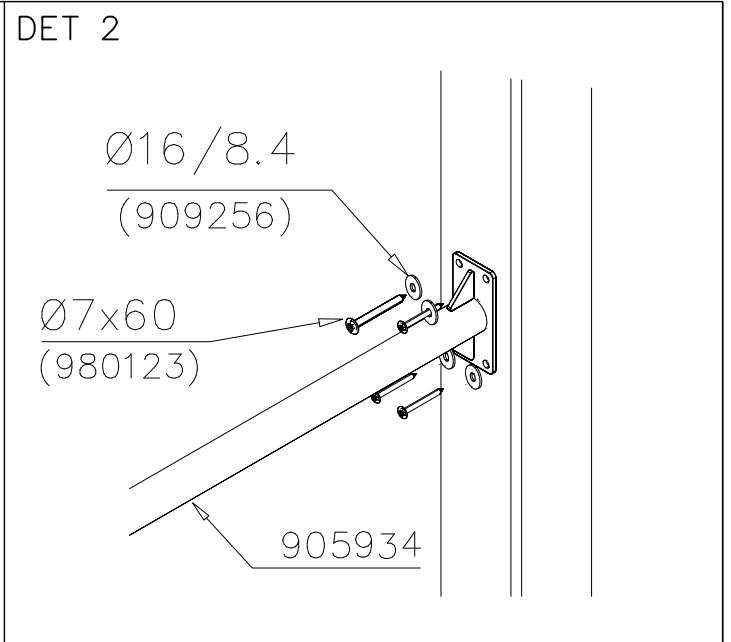
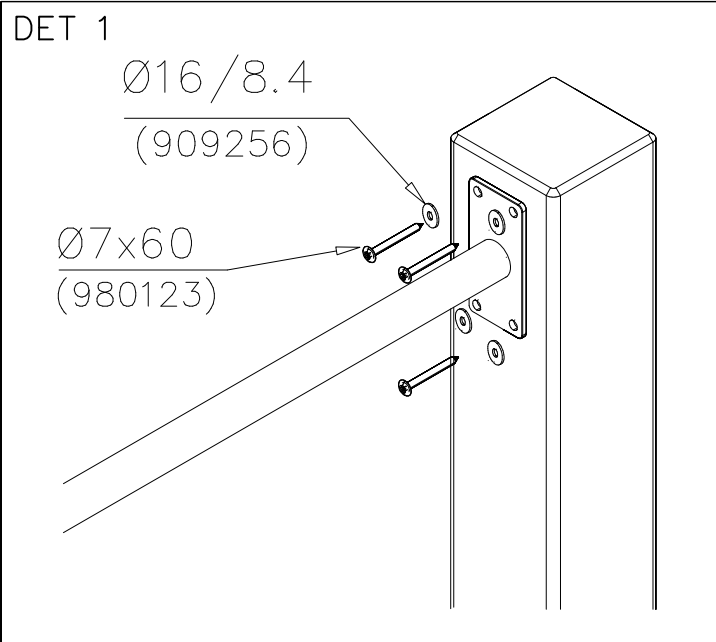


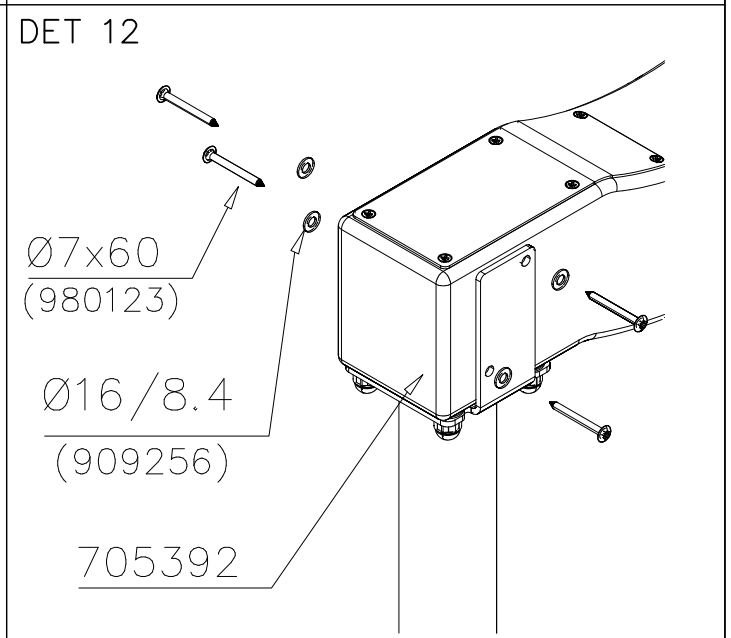
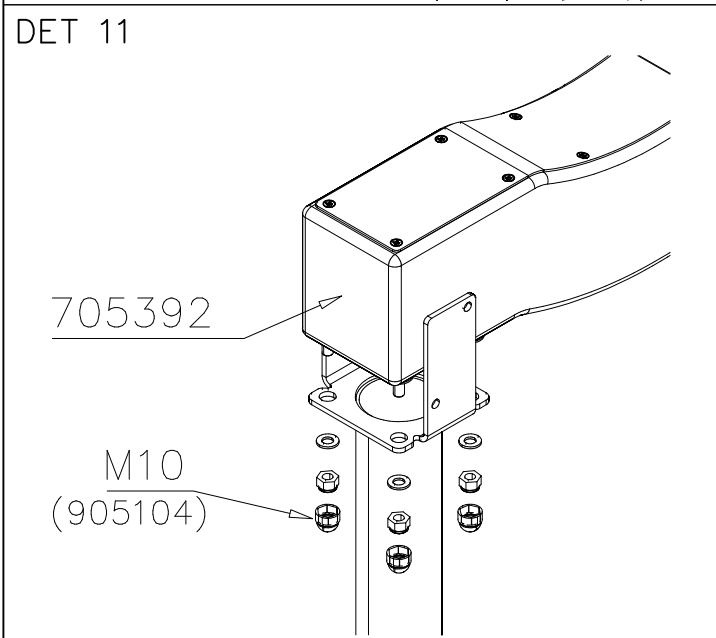
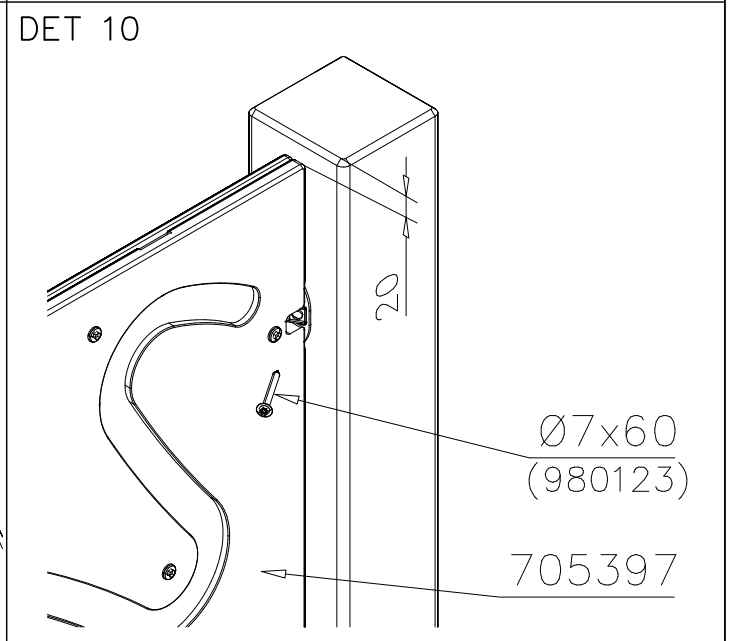
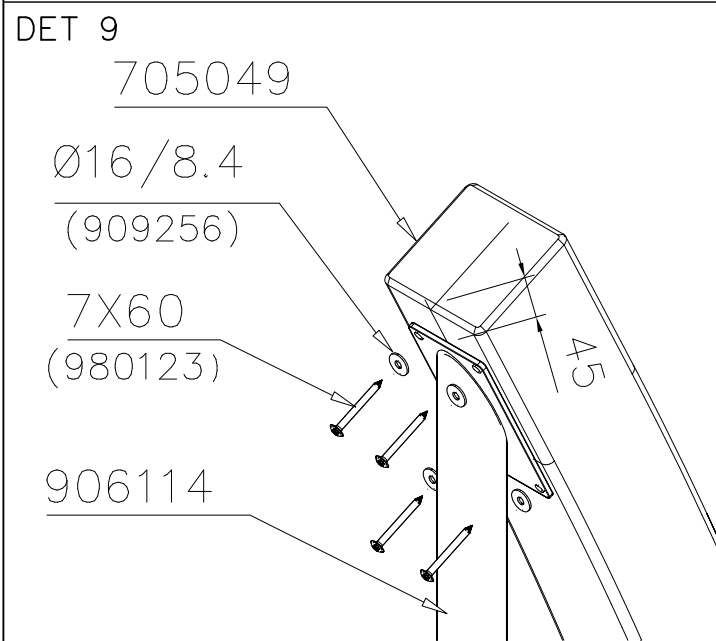
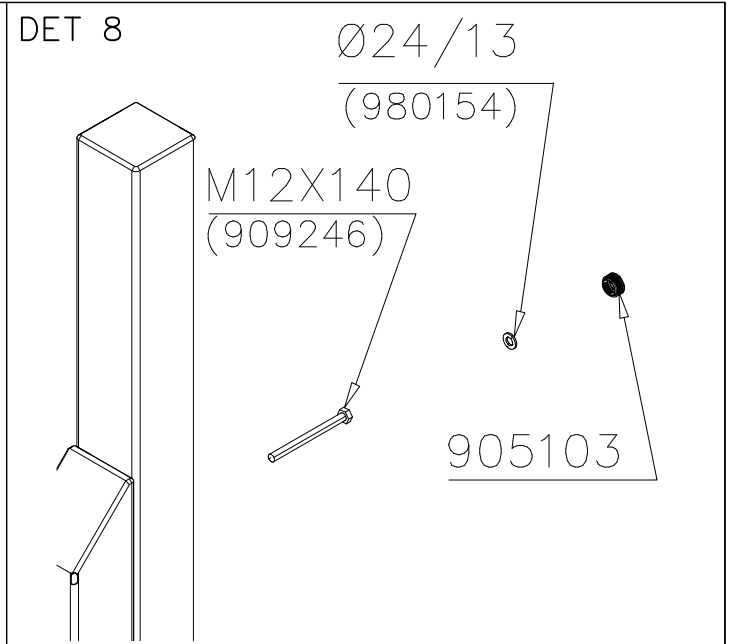
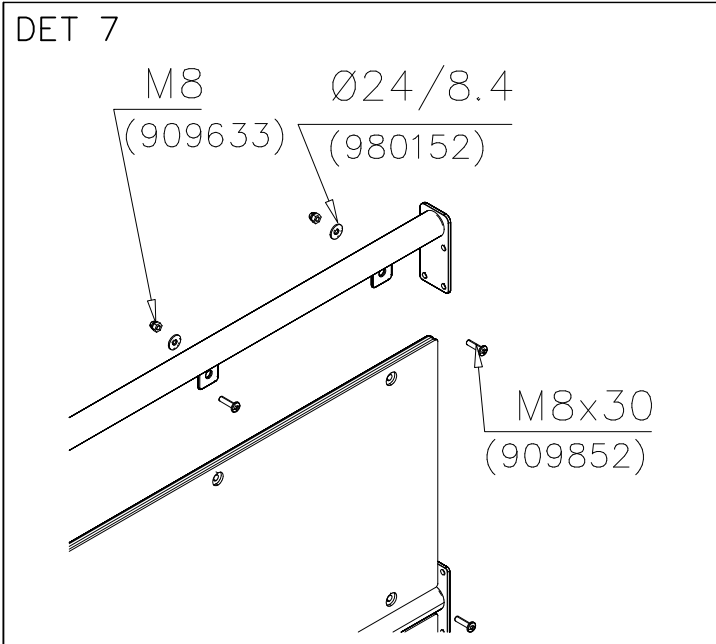
DET 58

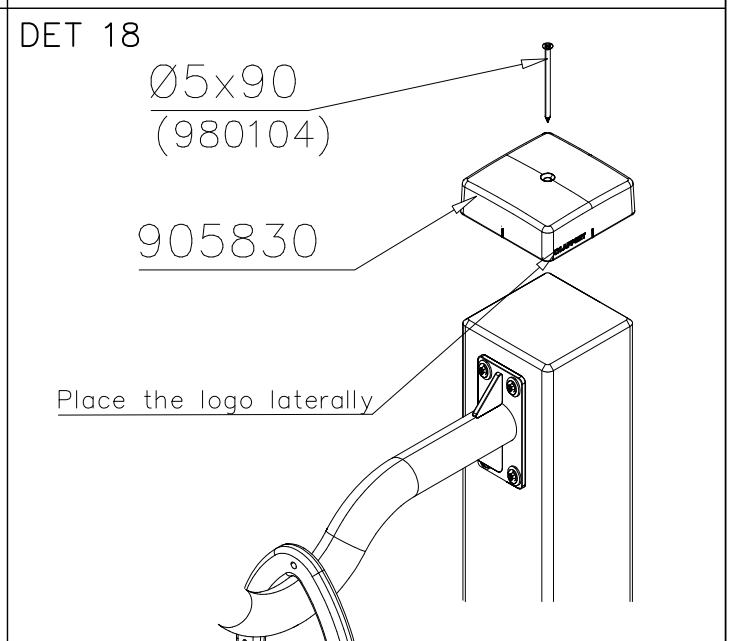
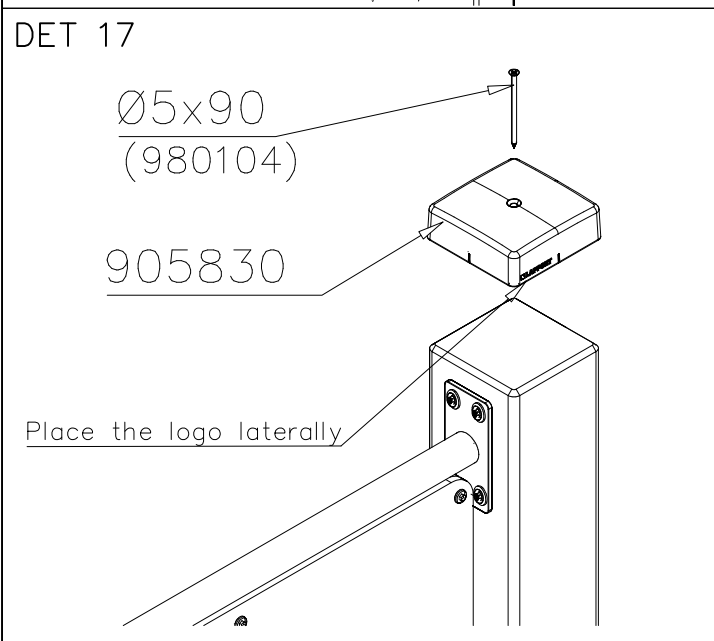
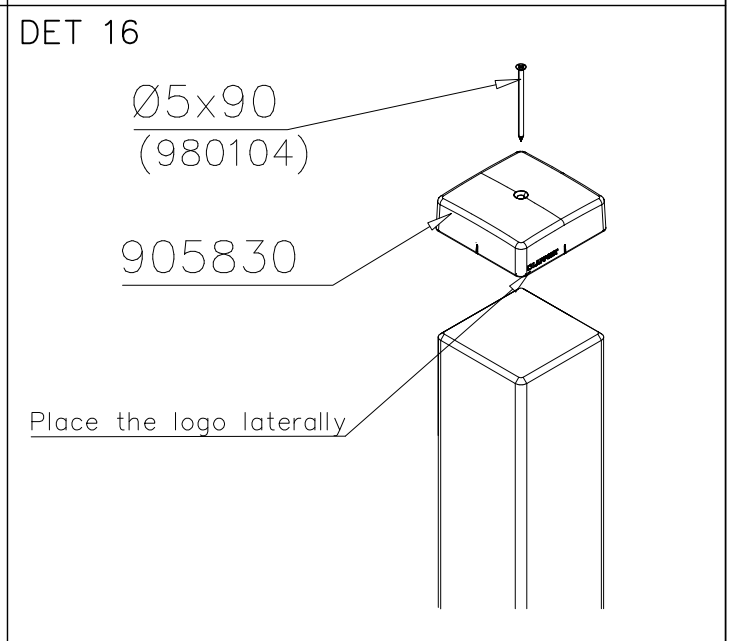
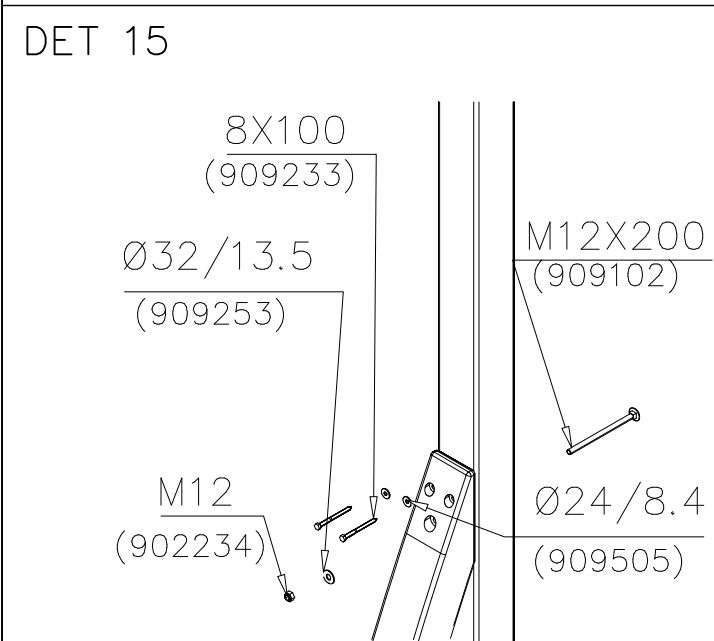
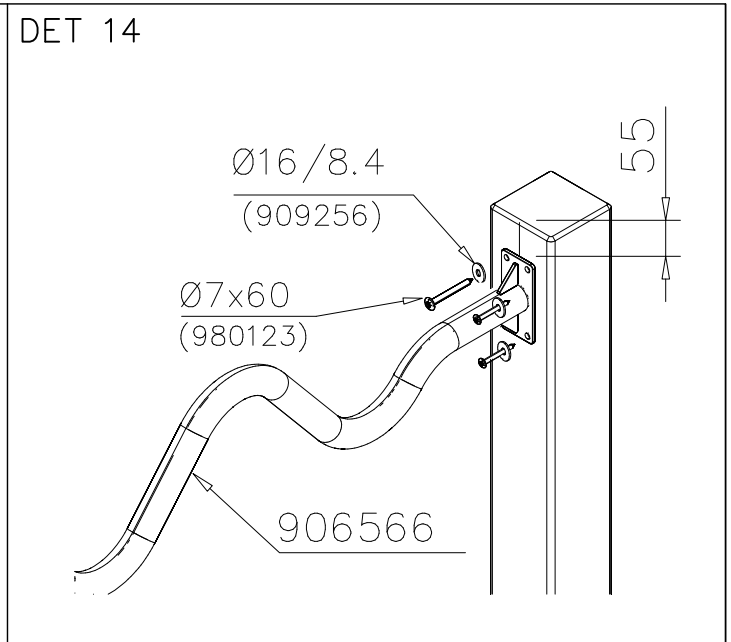
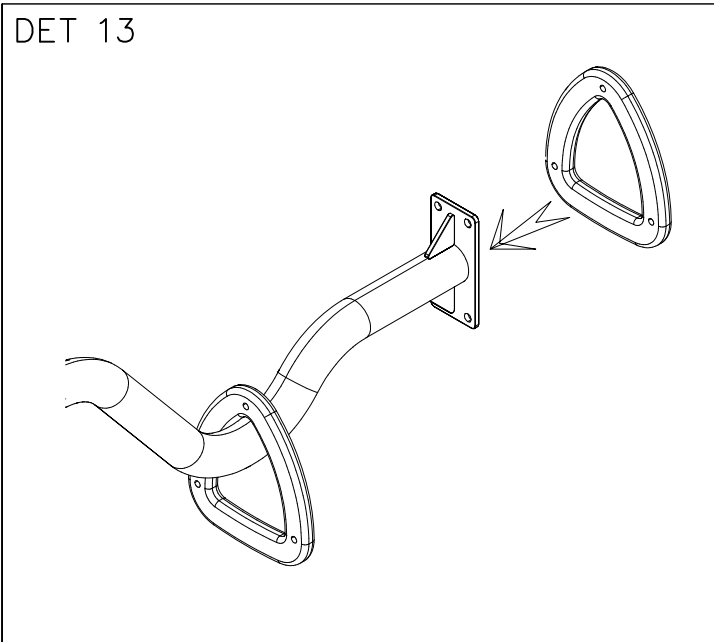


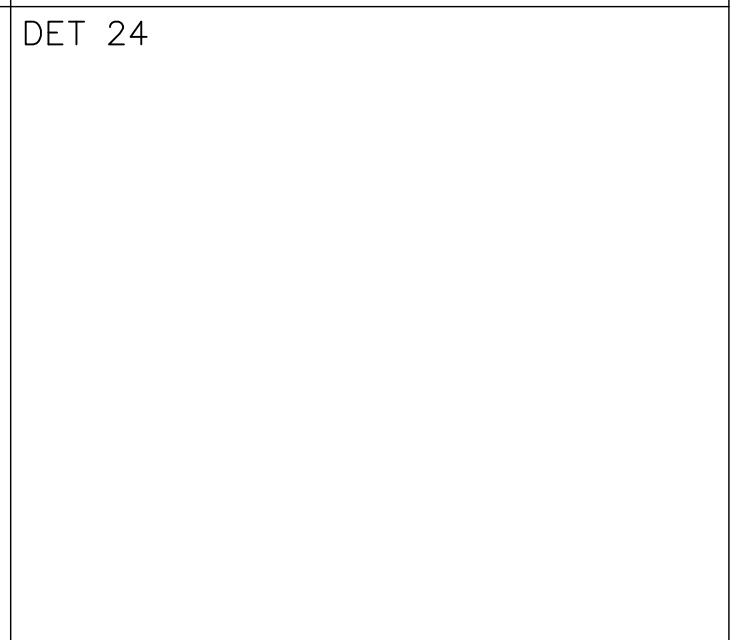
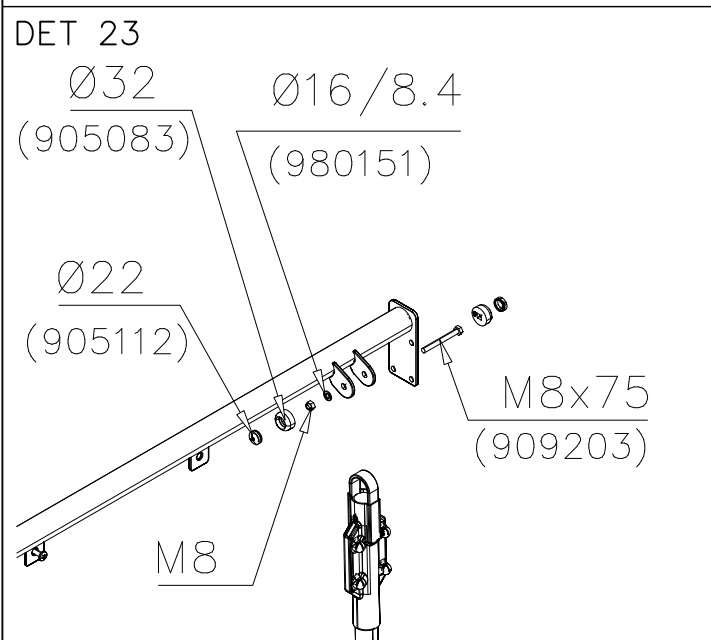
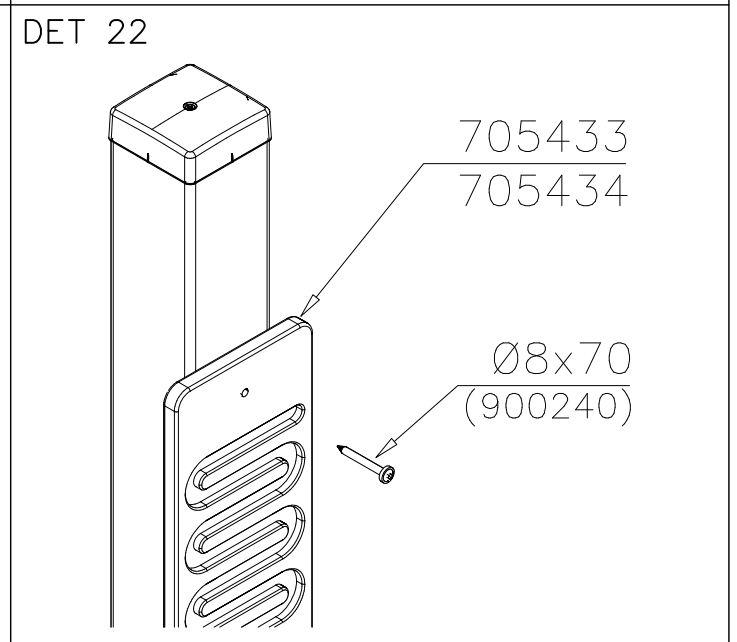
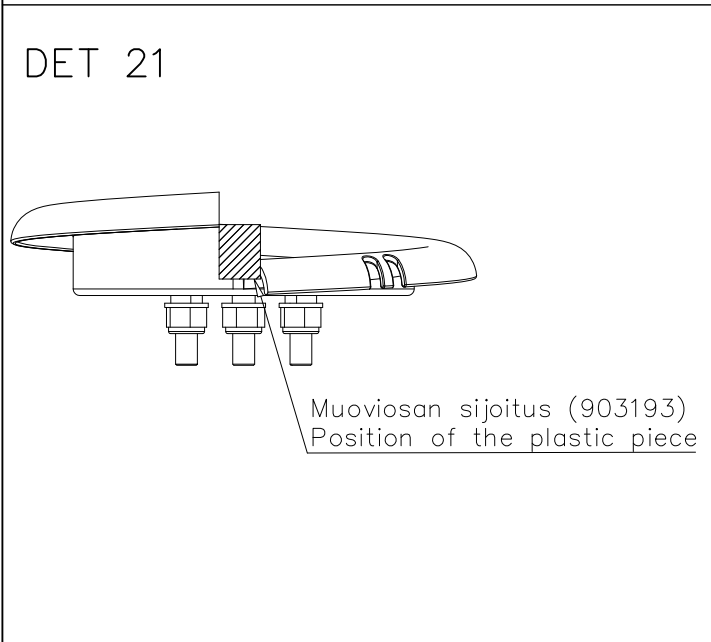
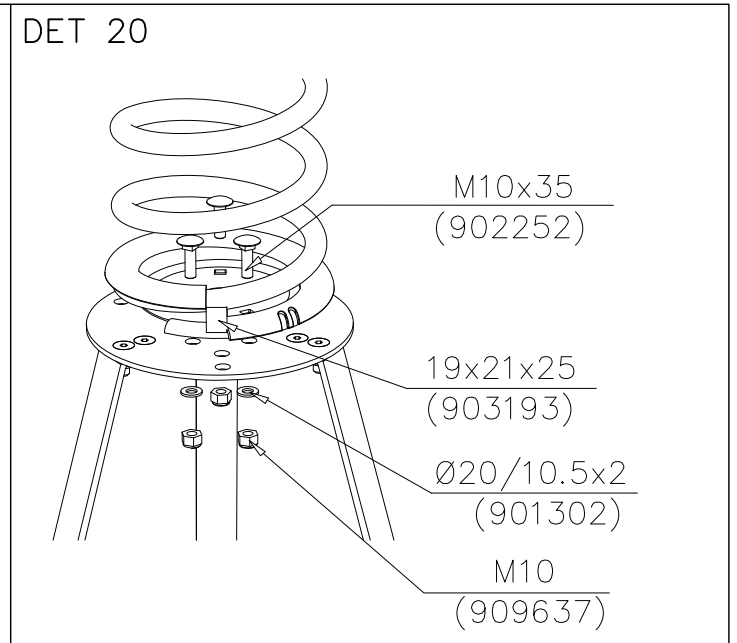
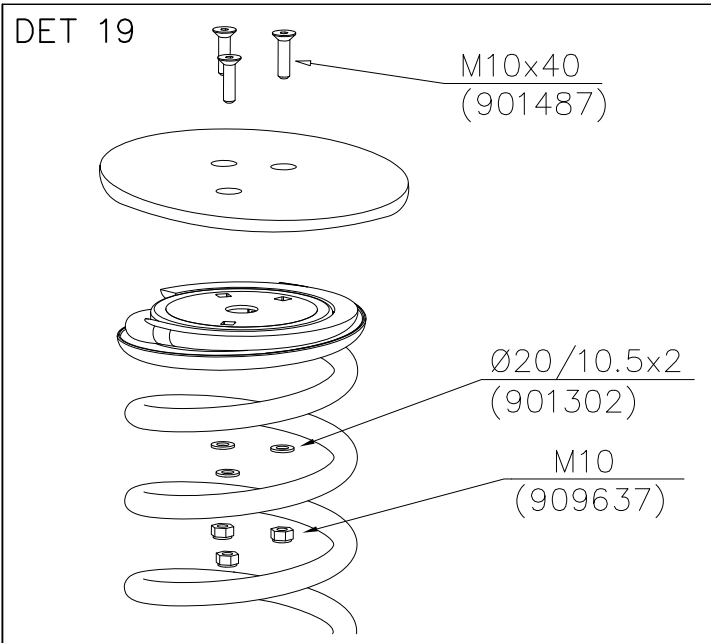
DET 59

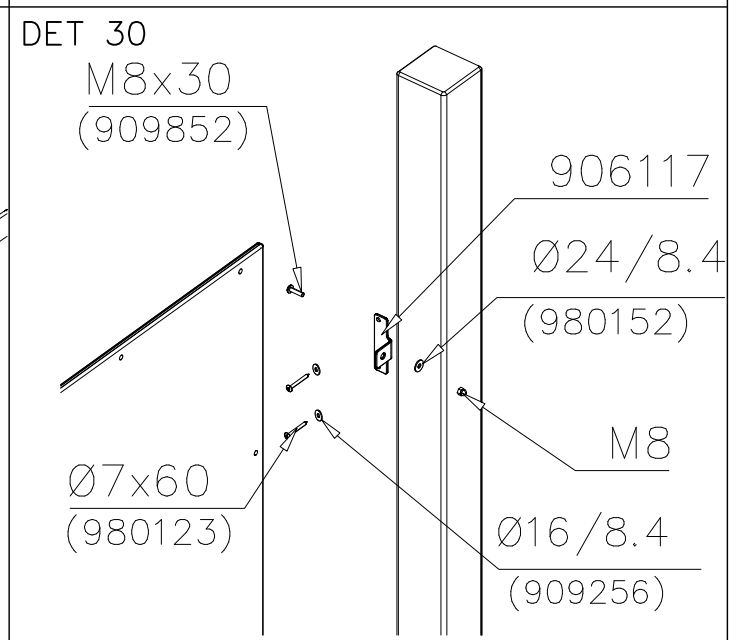
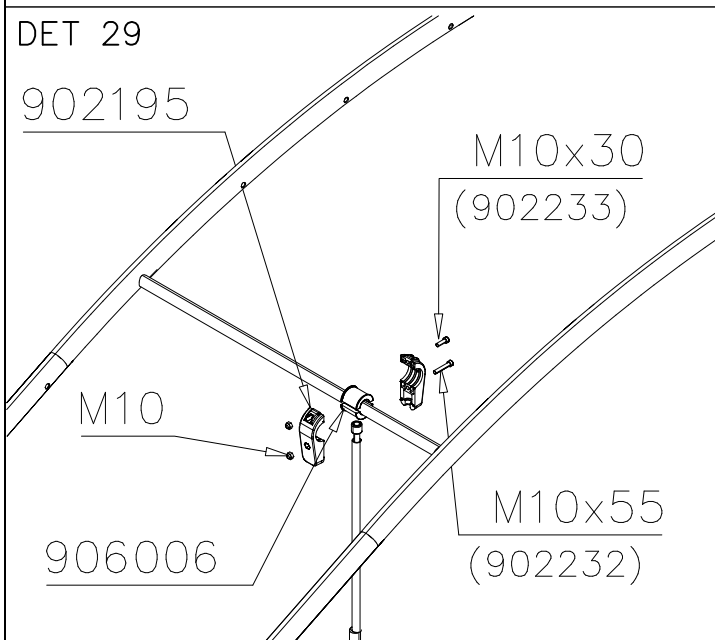
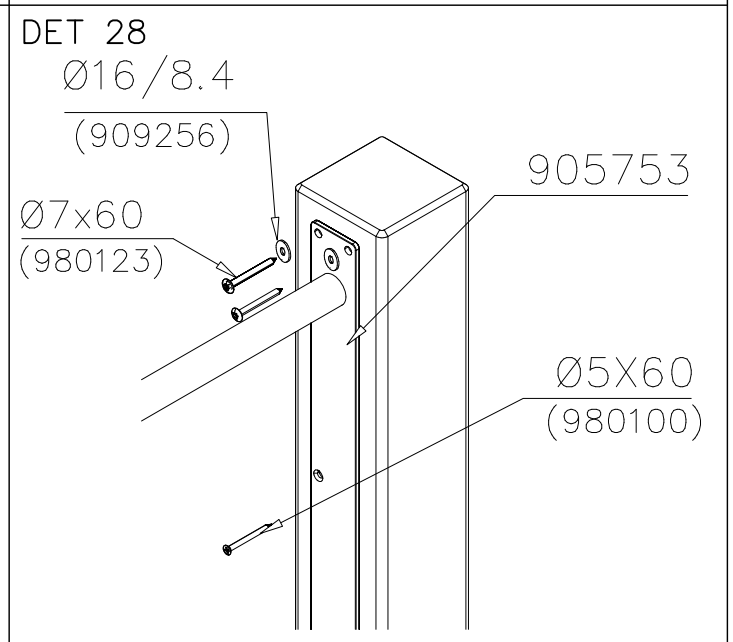
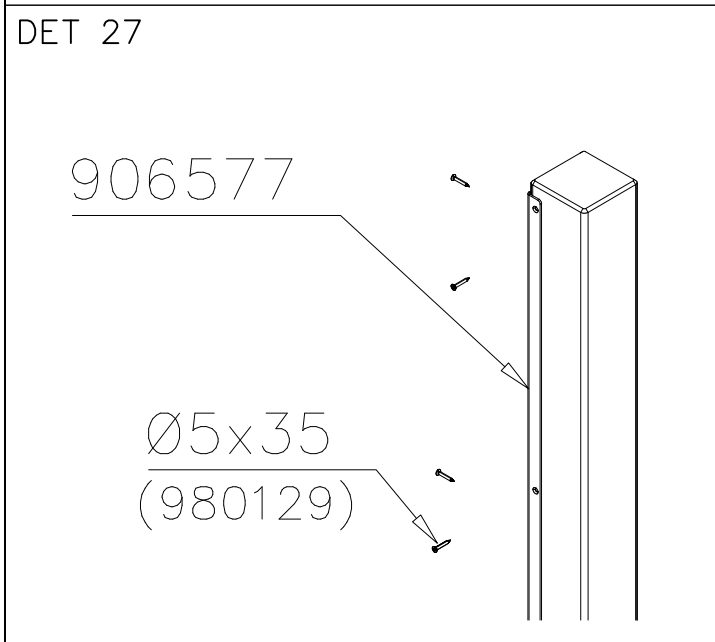
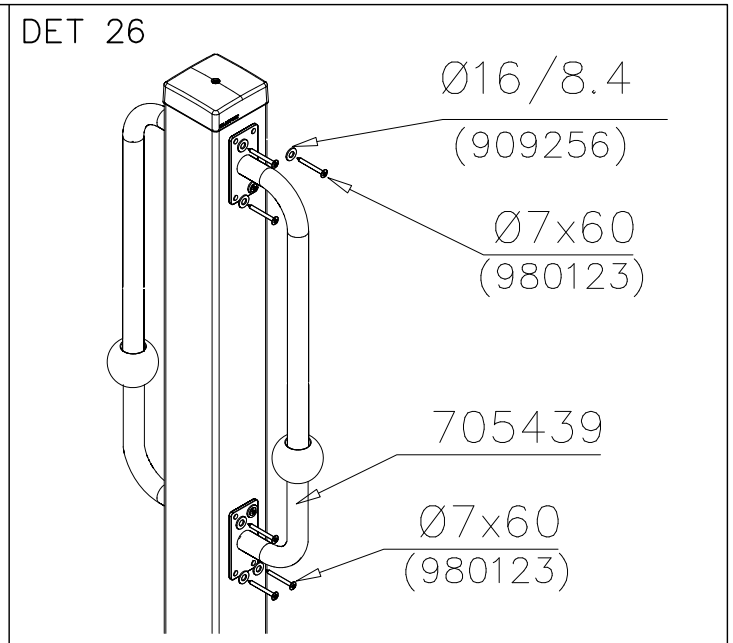
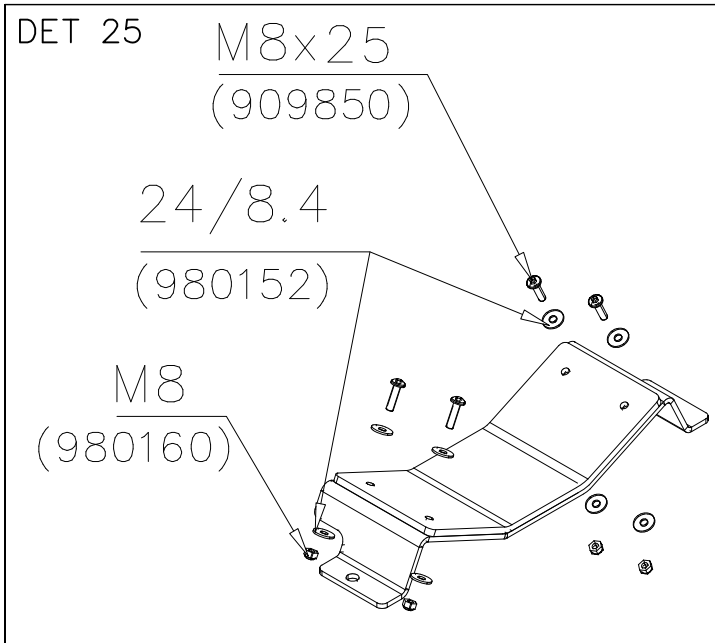


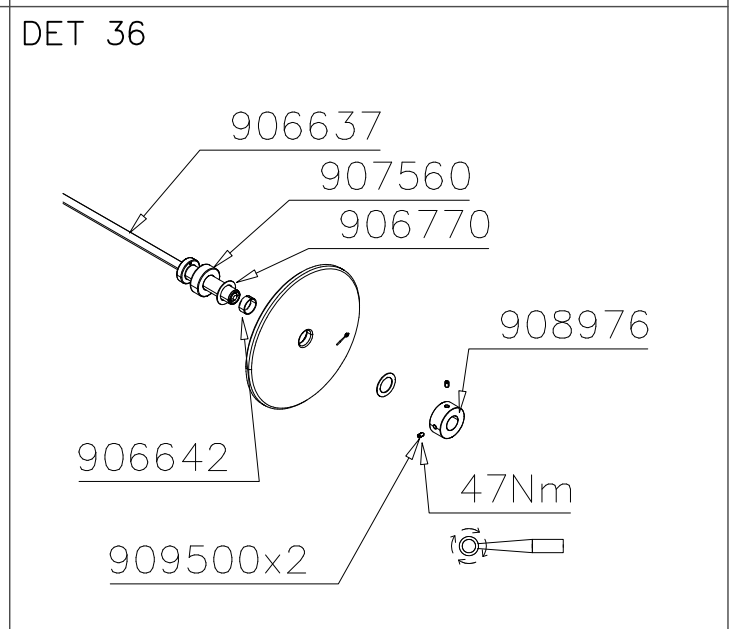
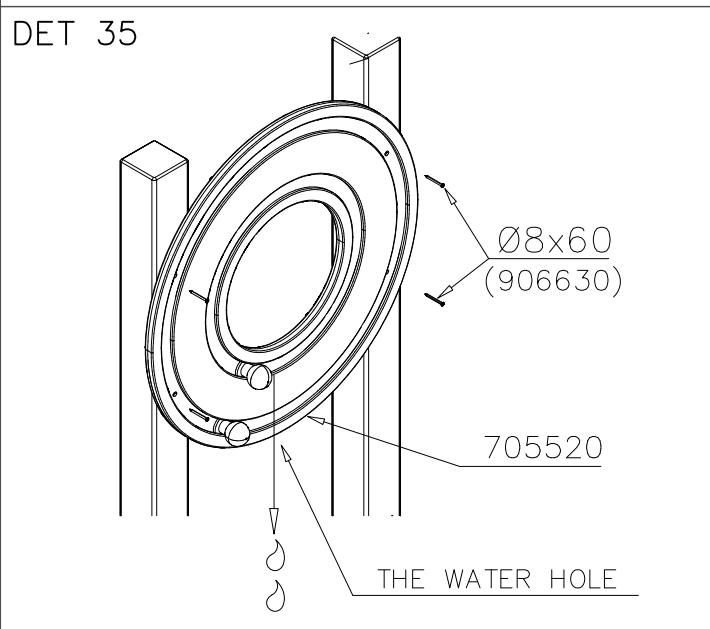
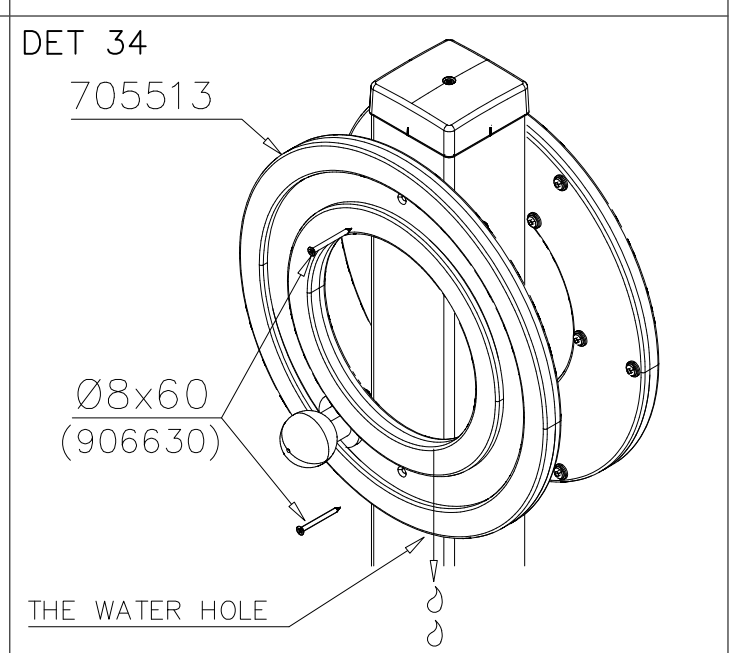
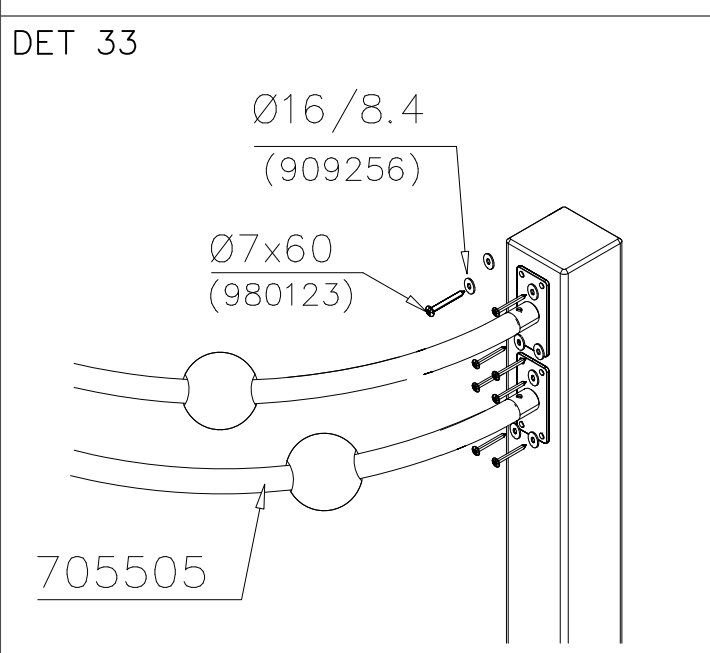
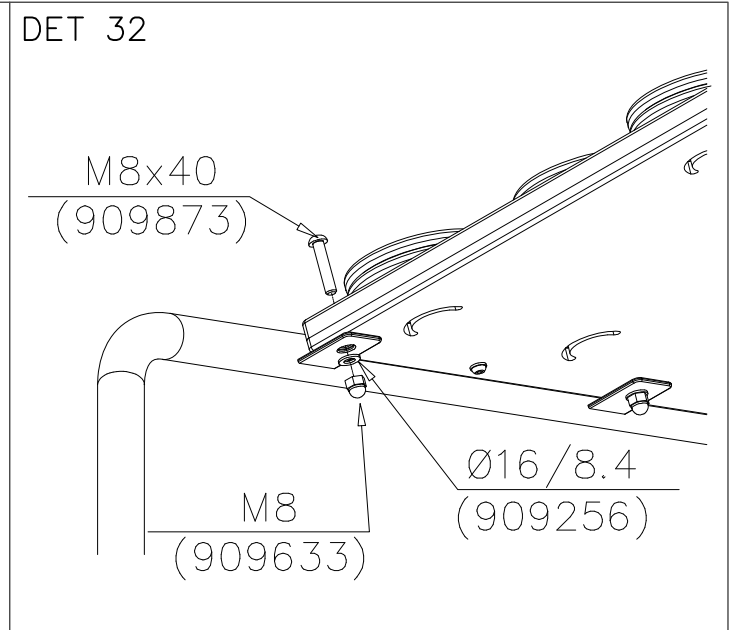
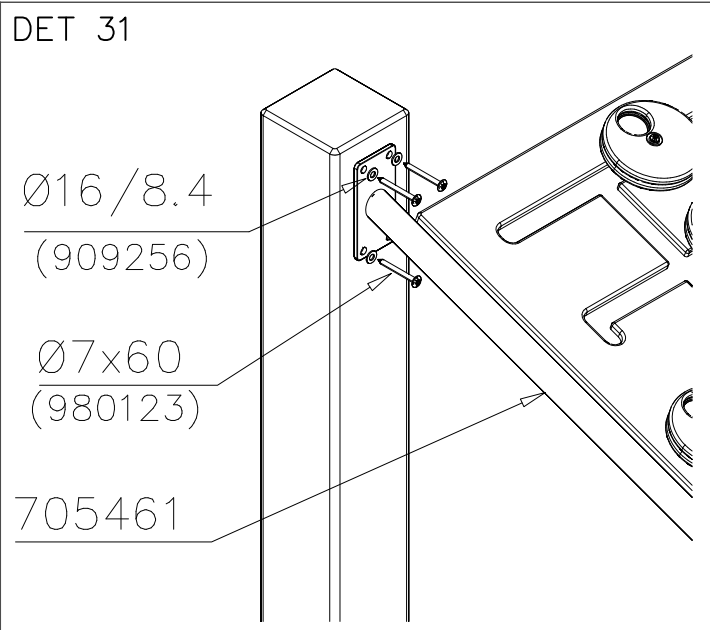


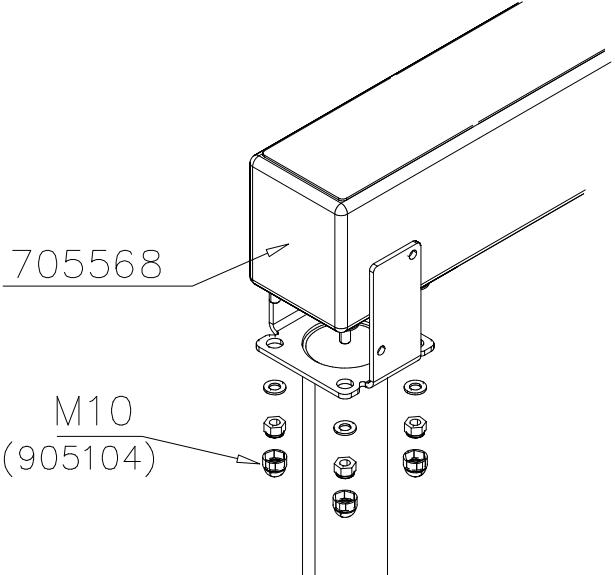
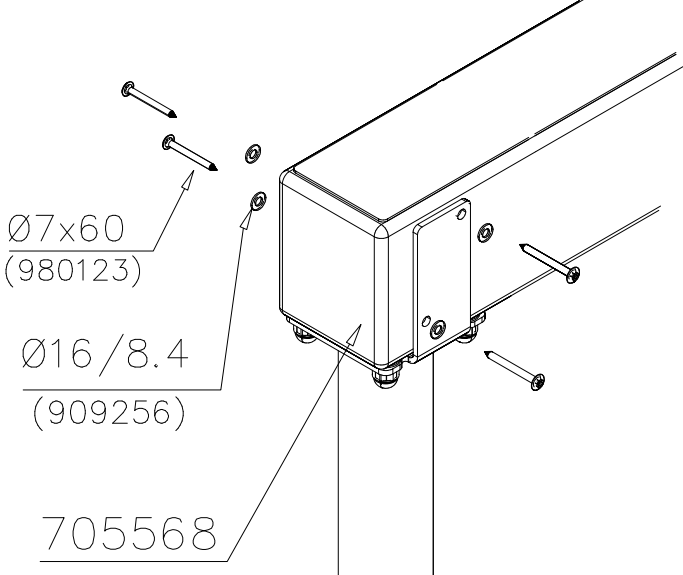
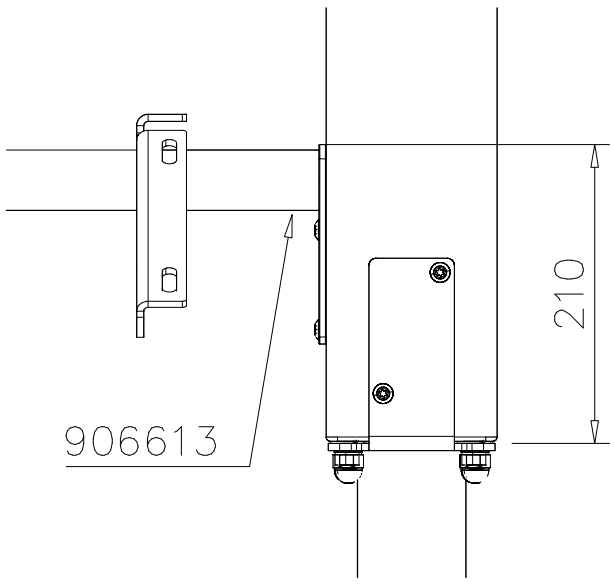
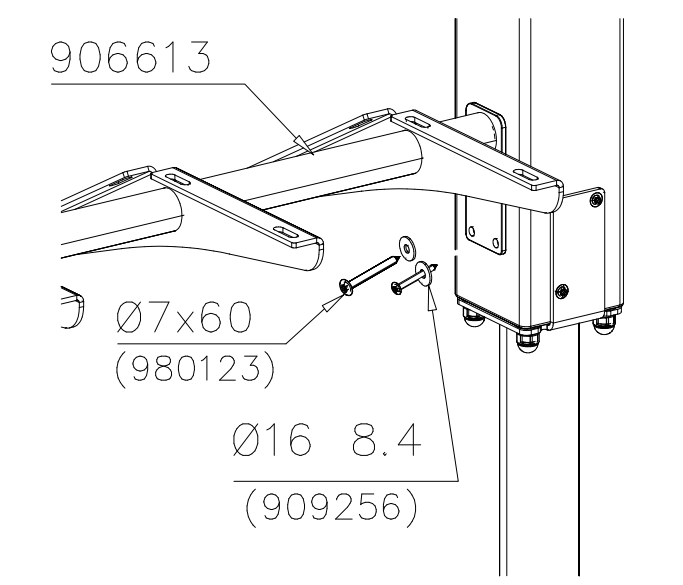
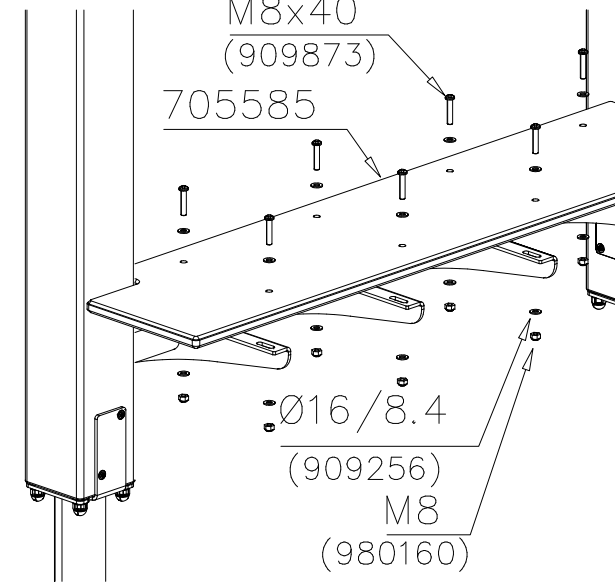
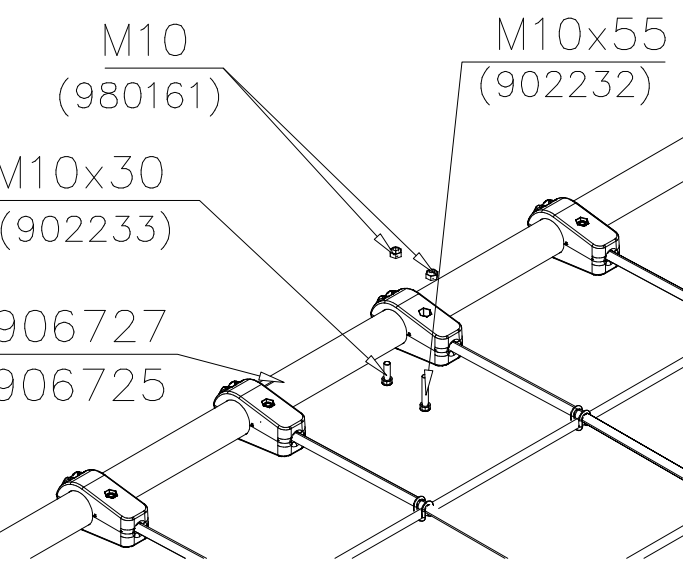


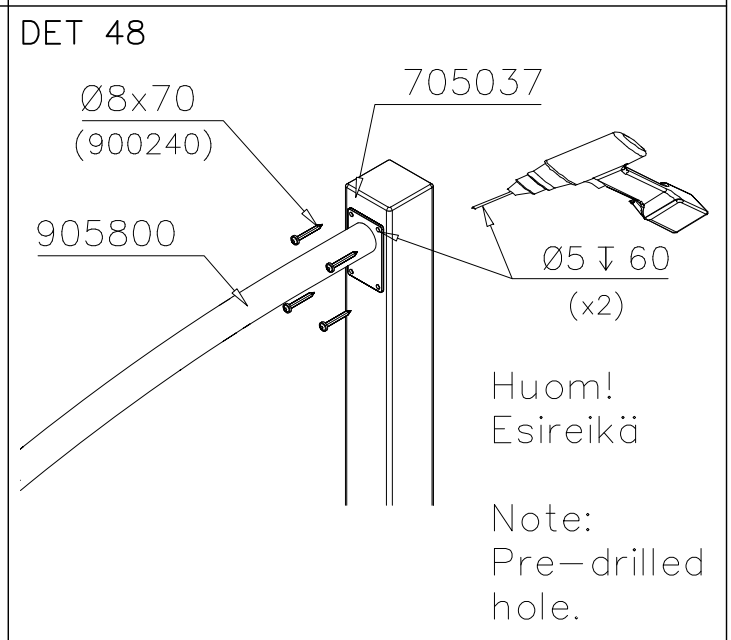
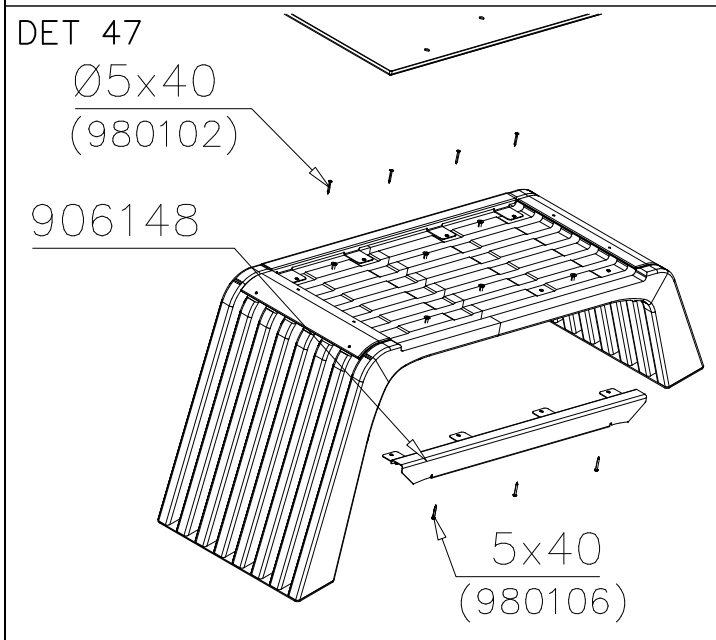
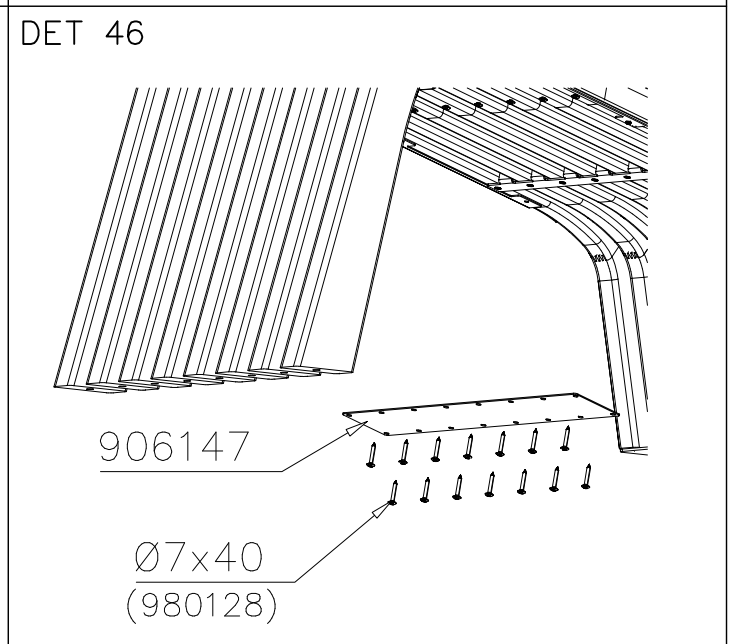
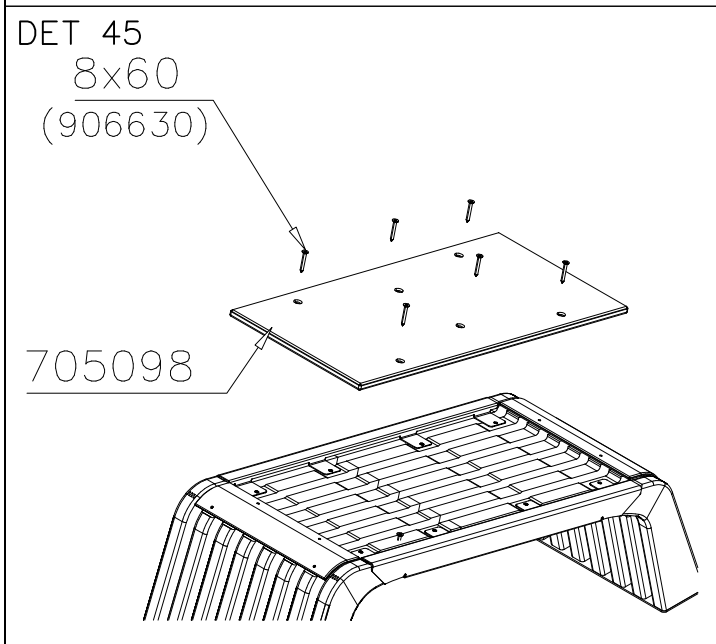
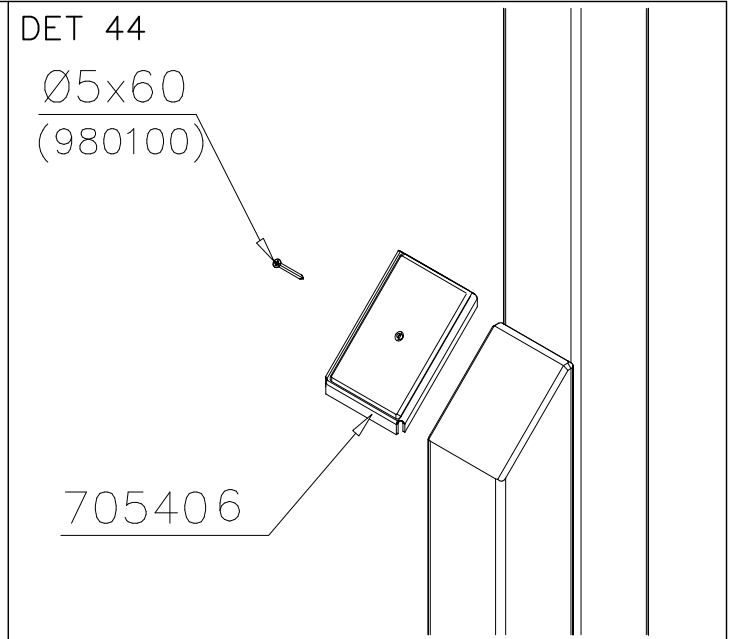
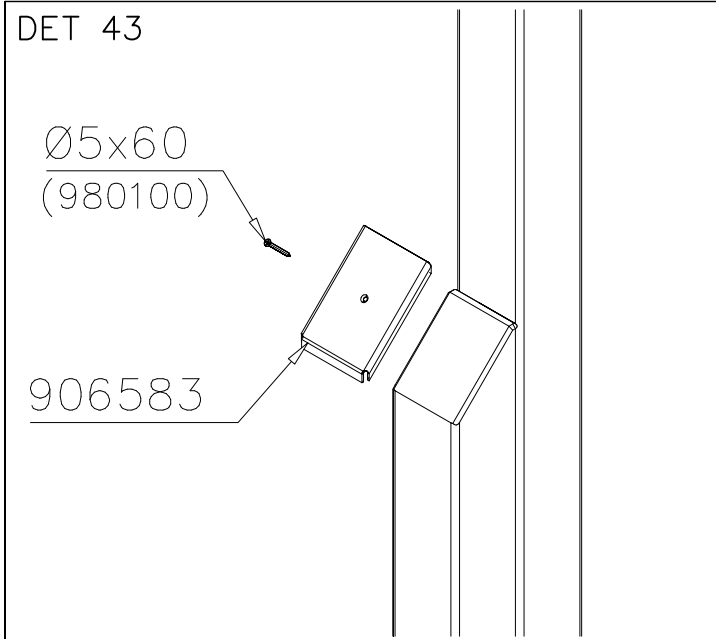


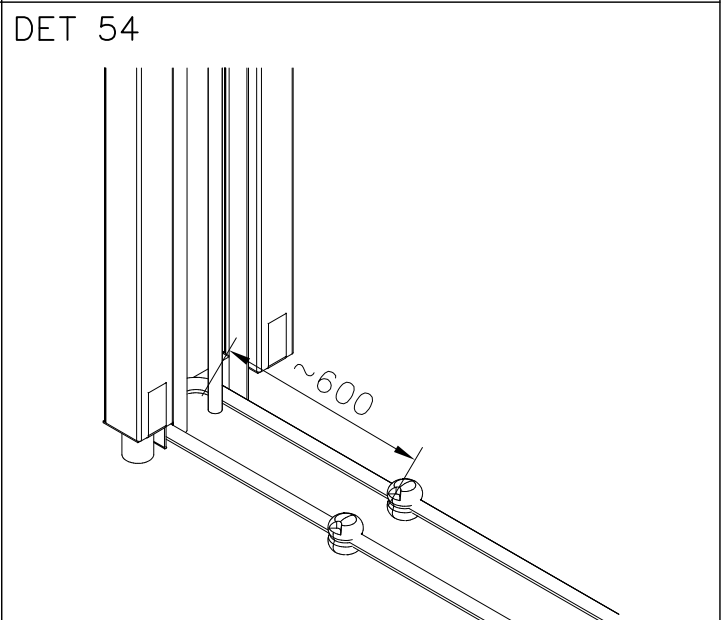
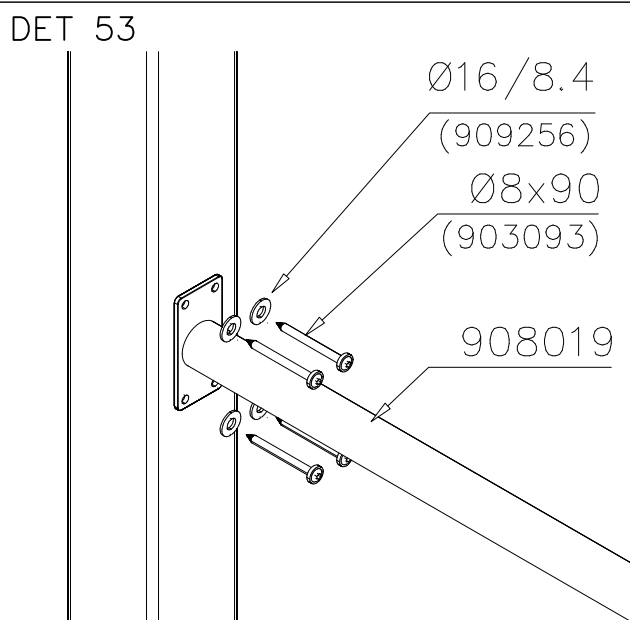
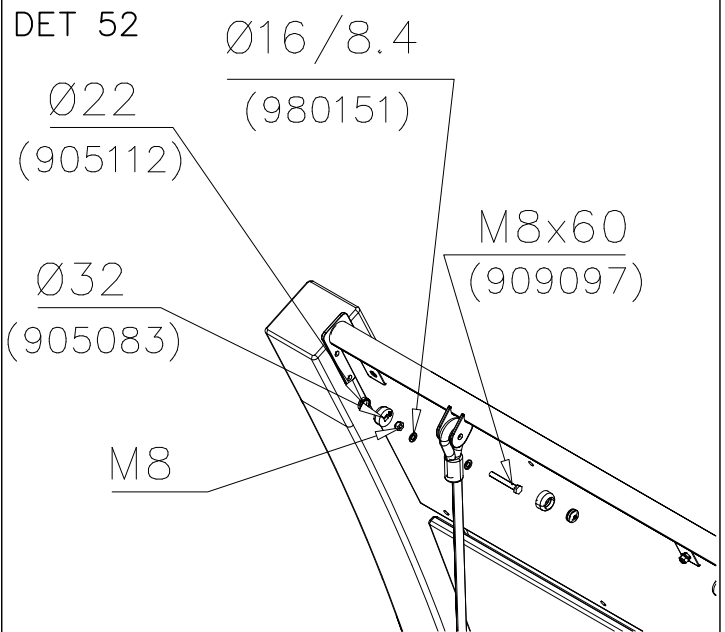
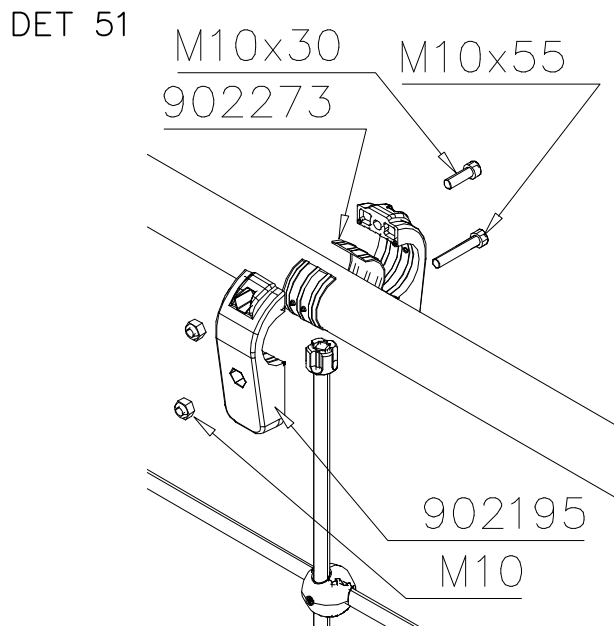
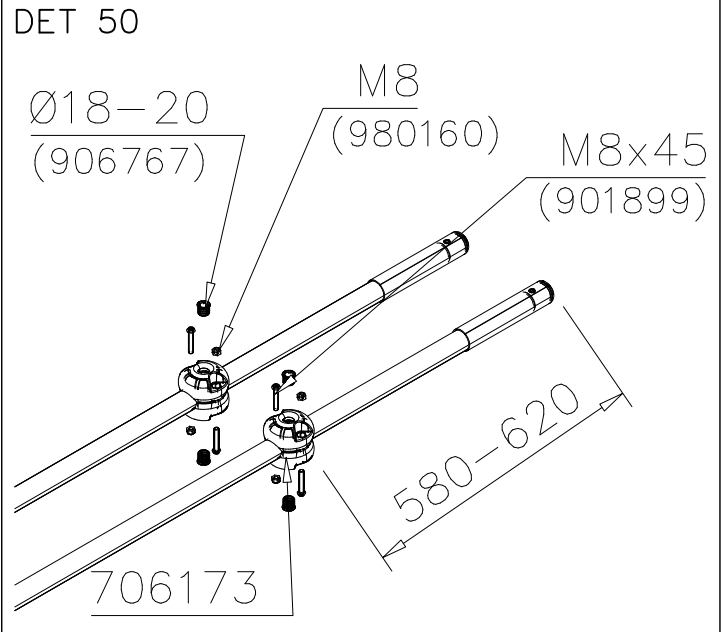
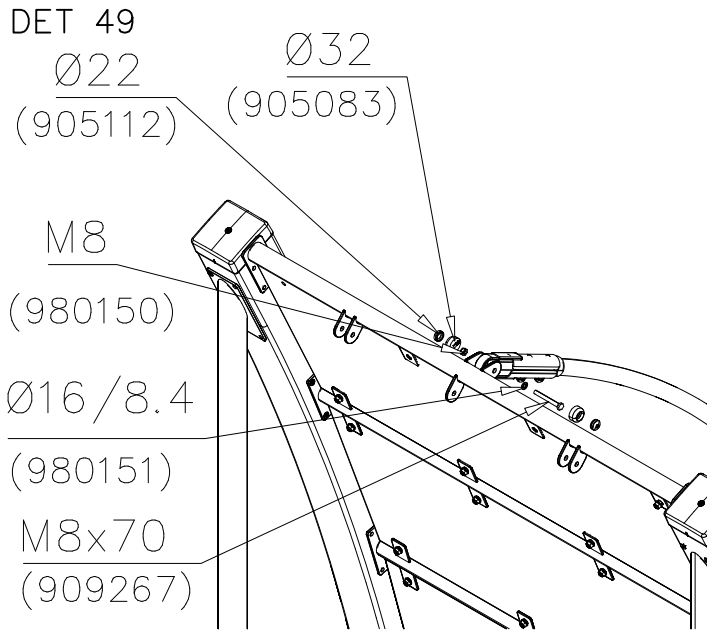




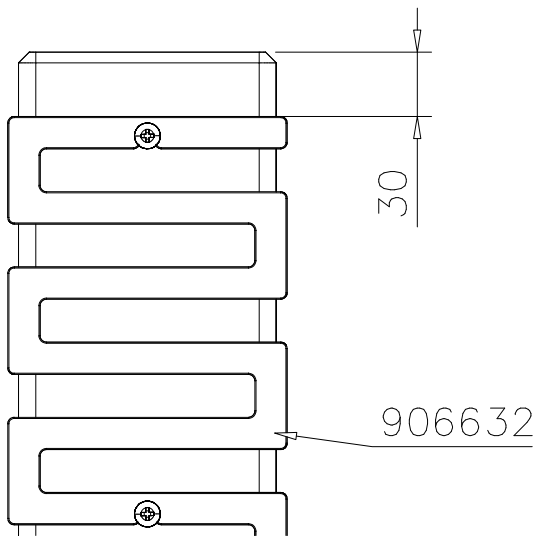


<p>DET 37</p>  <p>705568</p> <p>M10 (905104)</p>	<p>DET 38</p>  <p>Ø7x60 (980123)</p> <p>Ø16/8.4 (909256)</p> <p>705568</p>
<p>DET 39</p>  <p>906613</p> <p>210</p>	<p>DET 40</p>  <p>906613</p> <p>Ø7x60 (980123)</p> <p>Ø16 8.4 (909256)</p>
<p>DET 41</p>  <p>M8x40 (909873)</p> <p>705585</p> <p>Ø16/8.4 (909256)</p> <p>M8 (980160)</p>	<p>DET 42</p>  <p>M10 (980161)</p> <p>M10x55 (902232)</p> <p>M10x30 (902233)</p> <p>906727</p> <p>906725</p>

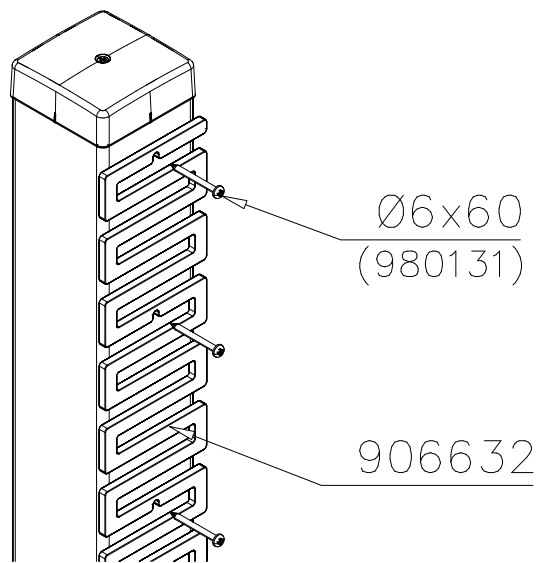




DET 55



DET 56

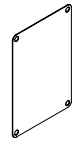



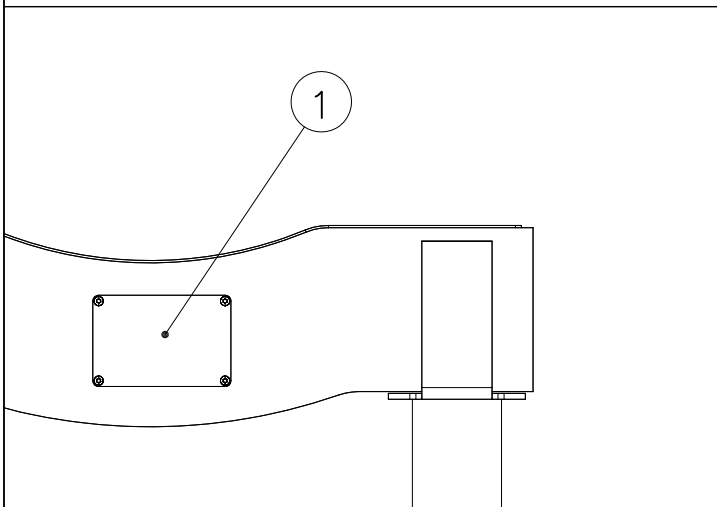
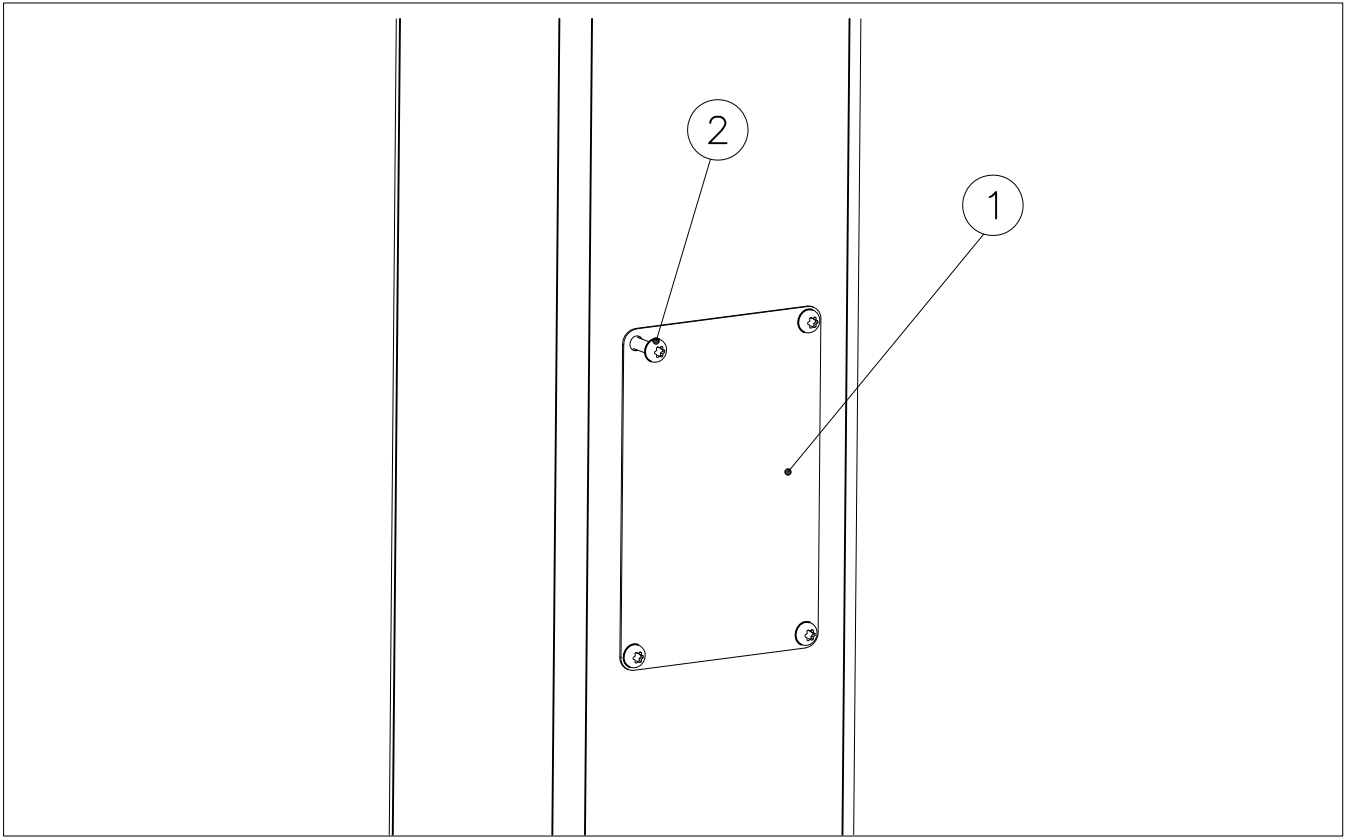
DET 57

DET 58

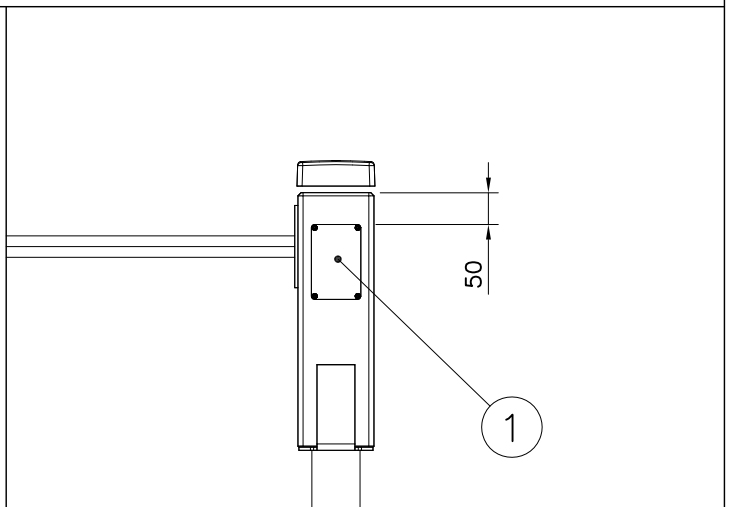
DET 59

DET 60

①	SHEET METAL	PCS	②	980114	PCS
		1			4
	118x78x0.7			Ø4x20	

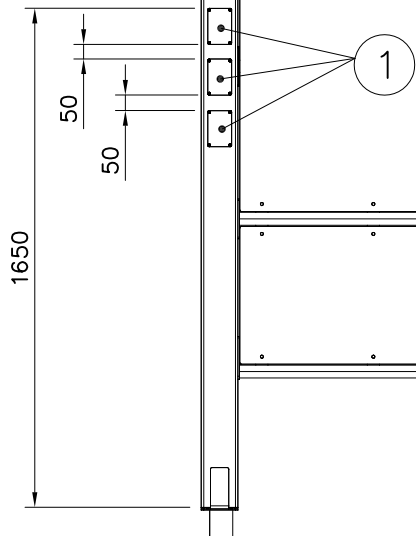


Example installation !
Esimerkki asennus !

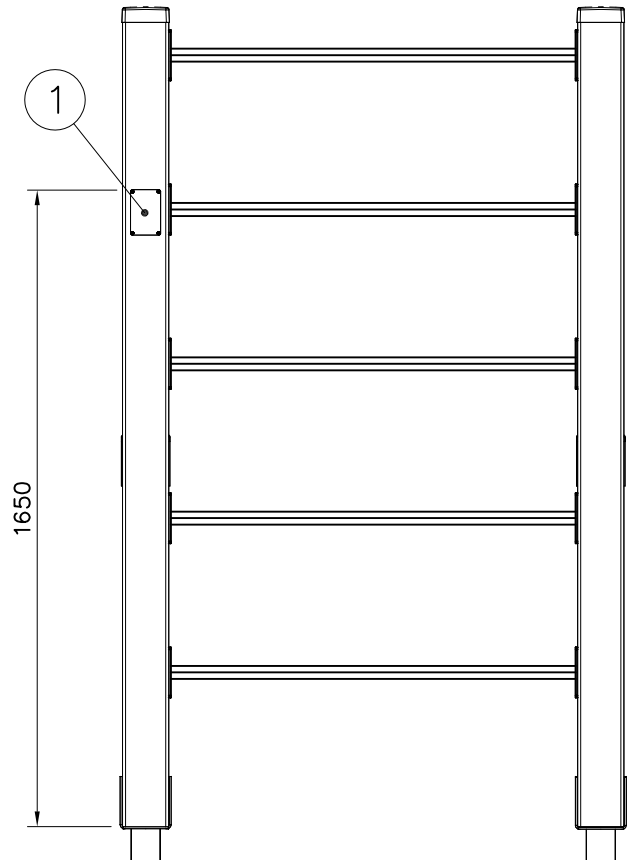


Example installation !
Esimerkki asennus !

Example installation !
Esimerkki asennus !



Example installation !
Esimerkki asennus !



Example installation !
Esimerkki asennus !

