

WINAM GROUP

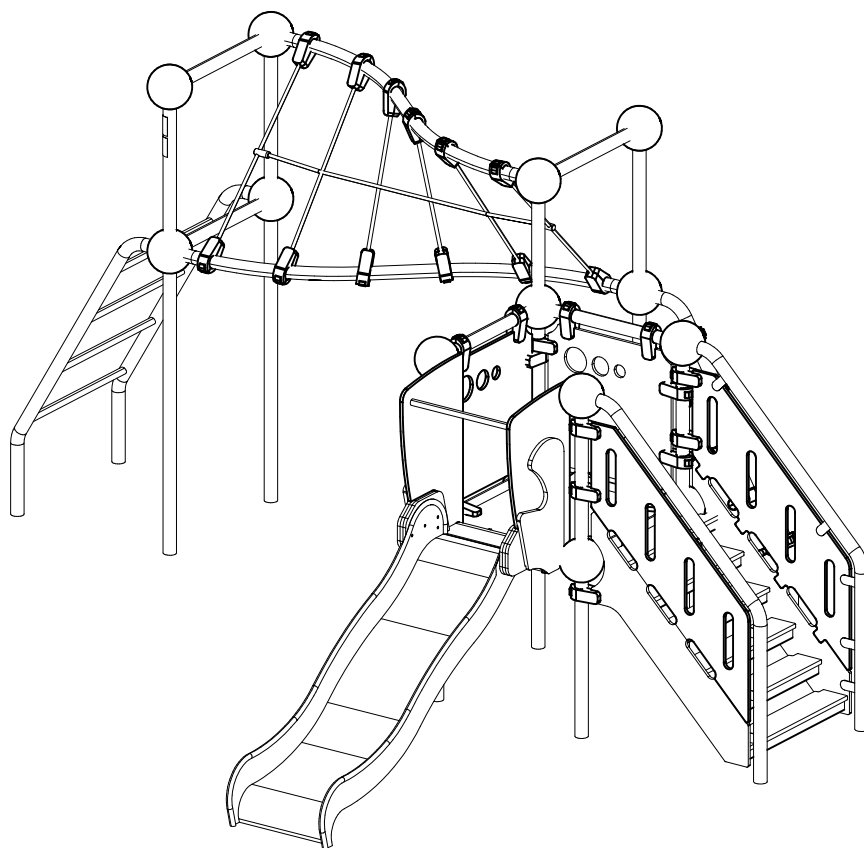
CLOXX



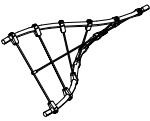

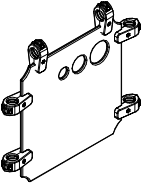

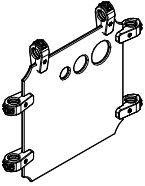



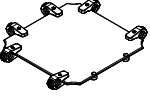
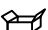
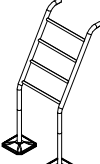



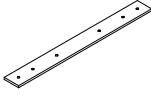
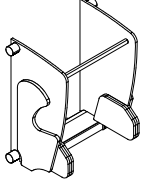

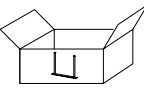
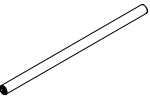
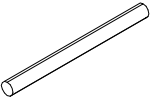
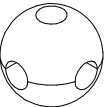





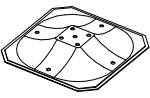
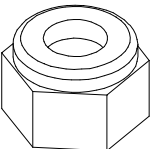
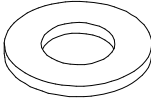
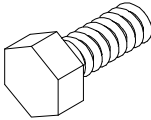
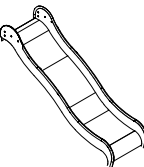


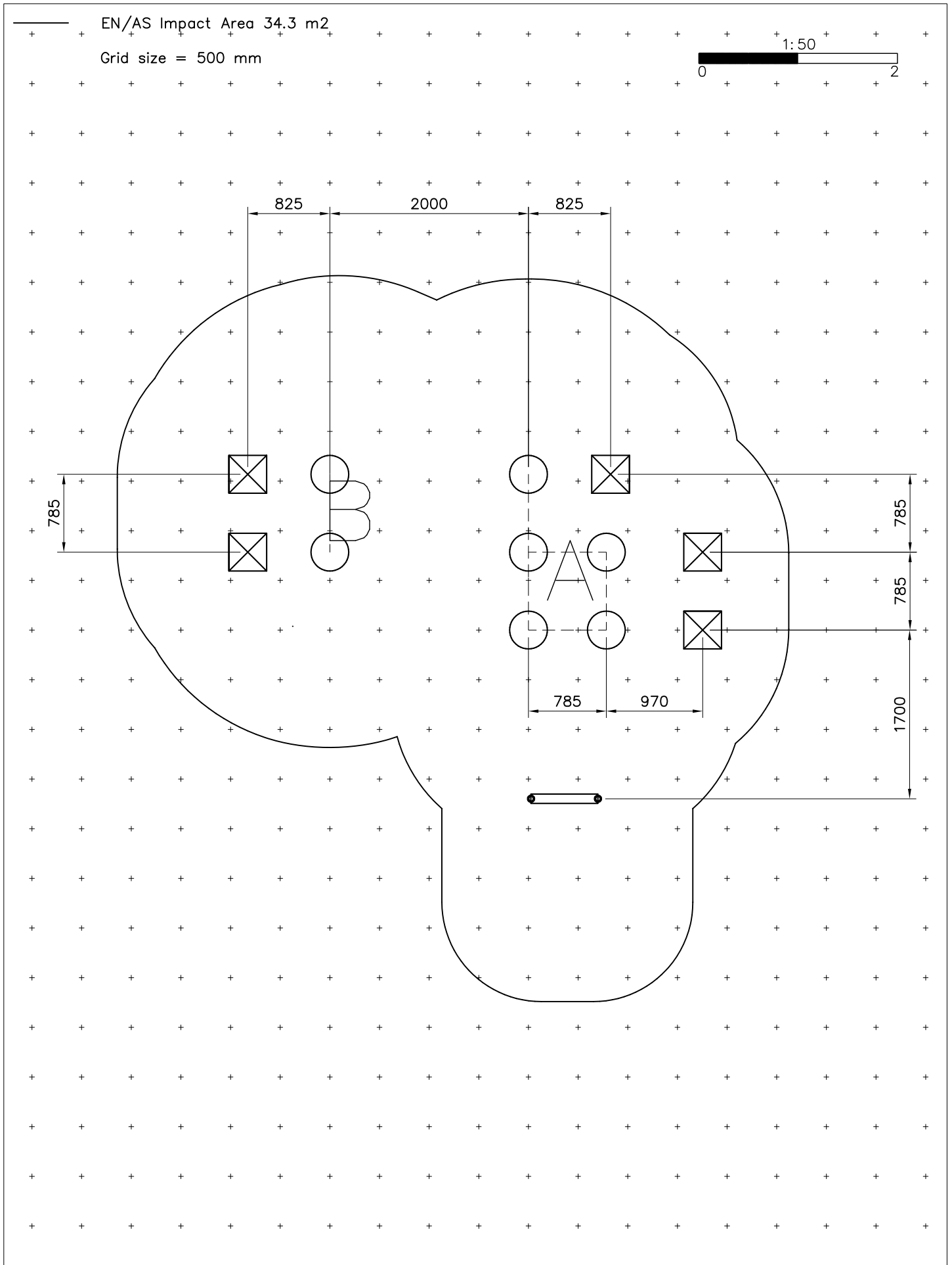
ASENNUSOHJE
MONTERINGSANSVISNING
INSTALLATION INSTRUCTION
AUFBAUANLEITUNG
NOTICE D'INSTALLATION

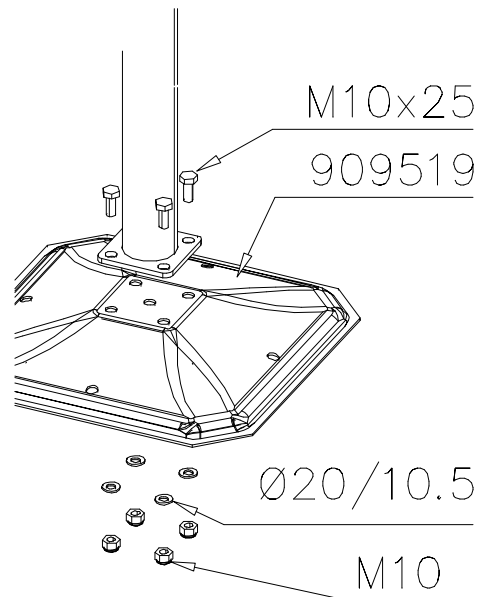
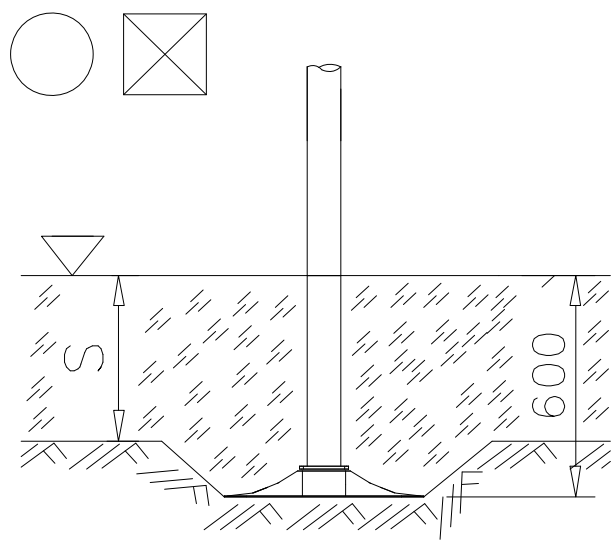
DATE: 25.2.2019

220313



<p>702341</p>  <p>90x50</p>	<p>PCS</p> <p>1</p>	<p>702633</p>  <p>90x50</p>	<p>PCS</p> <p>1</p>	<p>704063</p>  	<p>PCS</p> <p>1</p>	<p>704179</p>  	<p>PCS</p> <p>1</p>	<p>704328</p>  	<p>PCS</p> <p>1</p>	<p>704381</p>  	<p>PCS</p> <p>1</p>
<p>704432</p>  	<p>PCS</p> <p>1</p>	<p>704438</p>  	<p>PCS</p> <p>1</p>	<p>704440</p>  	<p>PCS</p> <p>1</p>	<p>707133</p>  <p>10x80x745</p>	<p>PCS</p> <p>1</p>	<p>708858</p>  	<p>PCS</p> <p>1</p>	<p>709045</p> 	<p>PCS</p> <p>1</p>
<p>901868</p>  <p>Ø34x598</p>	<p>PCS</p> <p>2</p>	<p>902022</p>  <p>L 710</p>	<p>PCS</p> <p>7</p>	<p>902134</p>  	<p>PCS</p> <p>15</p>	<p>902157</p>  <p>60x60x2</p>	<p>PCS</p> <p>41</p>	<p>904456</p>  <p>L 2737</p>	<p>PCS</p> <p>3</p>	<p>904505</p>  <p>L 2137</p>	<p>PCS</p> <p>4</p>
<p>904524</p>  <p>L 526</p>	<p>PCS</p> <p>1</p>	<p>909519</p>  <p>380x380</p>	<p>PCS</p> <p>7</p>	<p>909637</p>  <p>M10</p>	<p>PCS</p> <p>28</p>	<p>909638</p>  <p>Ø20/10.5</p>	<p>PCS</p> <p>56</p>	<p>909639</p>  <p>M10x25</p>	<p>PCS</p> <p>28</p>	<p>909708</p>  <p>+870</p>	<p>PCS</p> <p>1</p>
	PCS		PCS		PCS		PCS		PCS		PCS
	PCS		PCS		PCS		PCS		PCS		PCS
	PCS		PCS		PCS		PCS		PCS		PCS

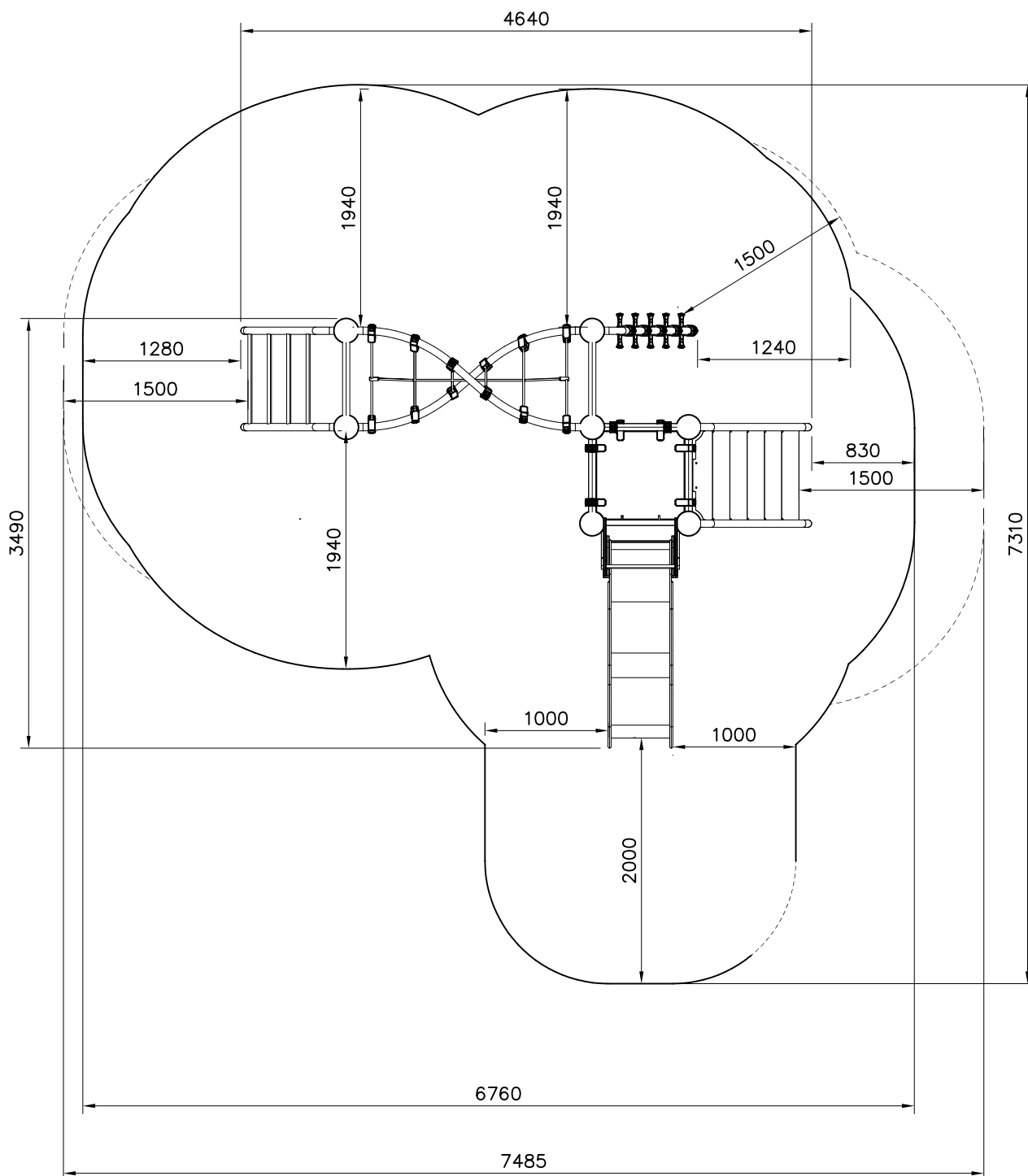
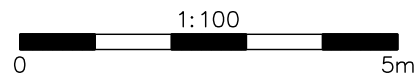


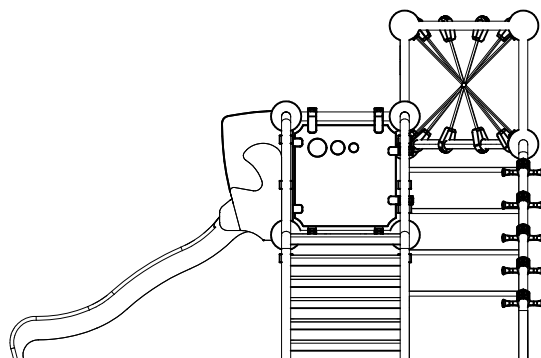
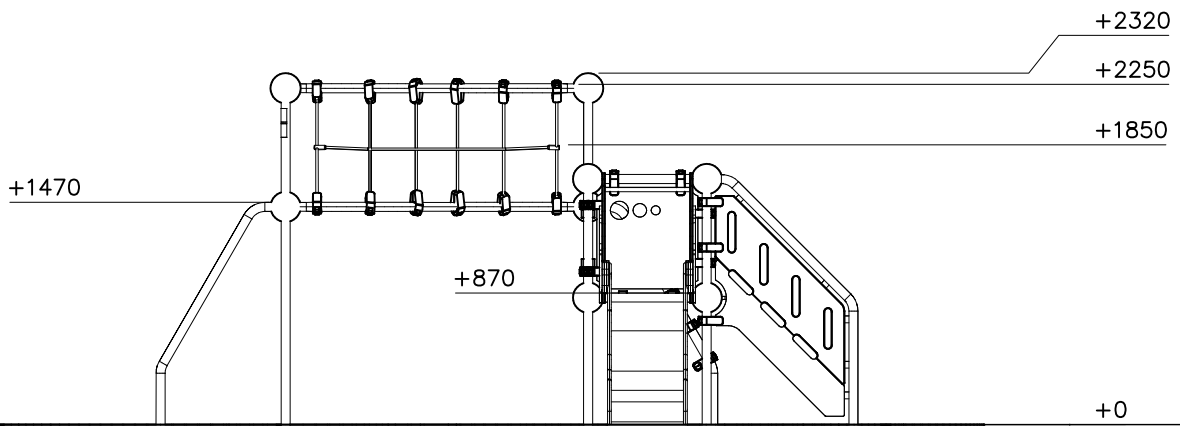
 <p>M10x25 909519</p> <p>Ø20/10.5 M10</p>	 <p>S 600 F</p>

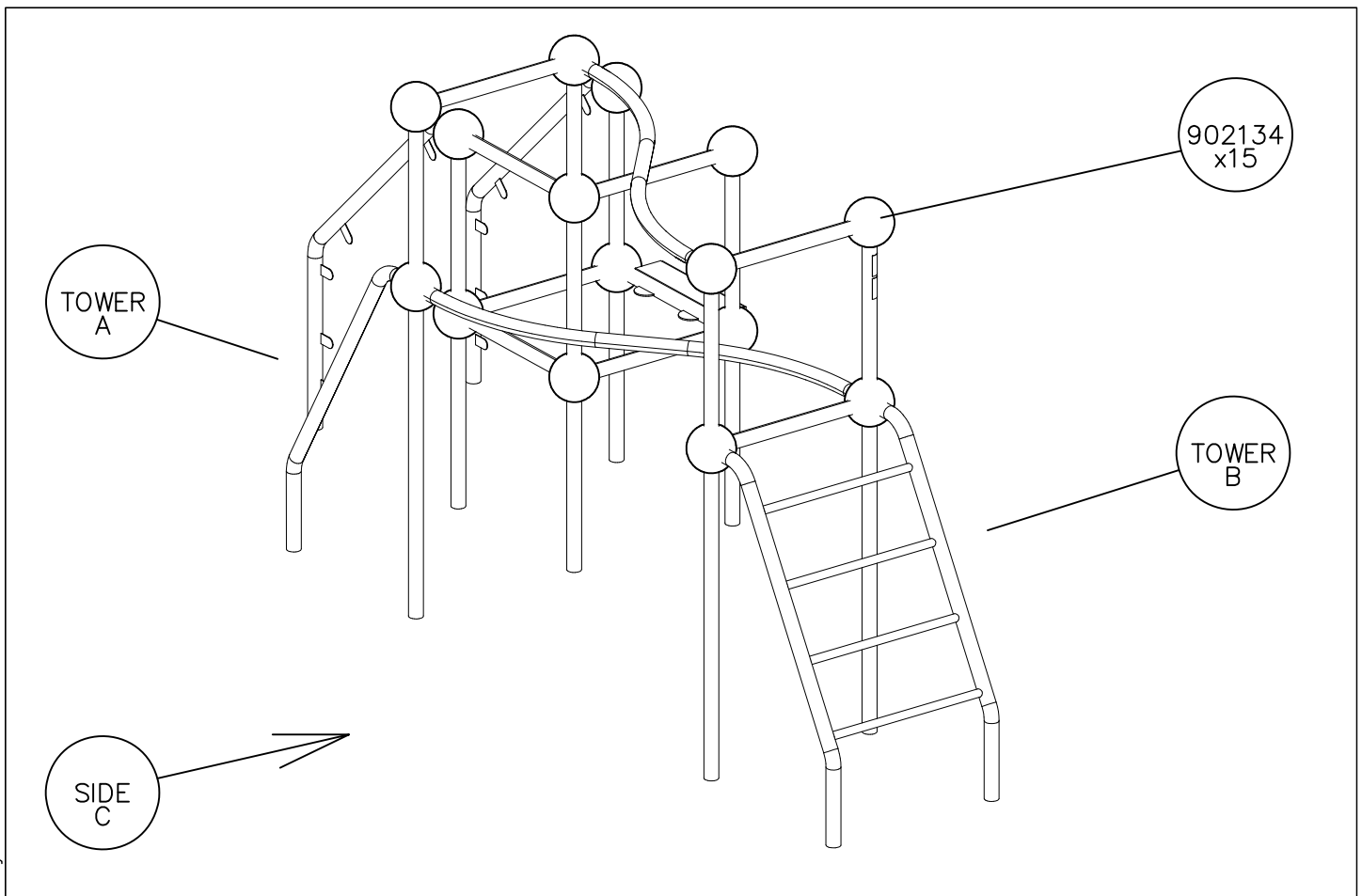
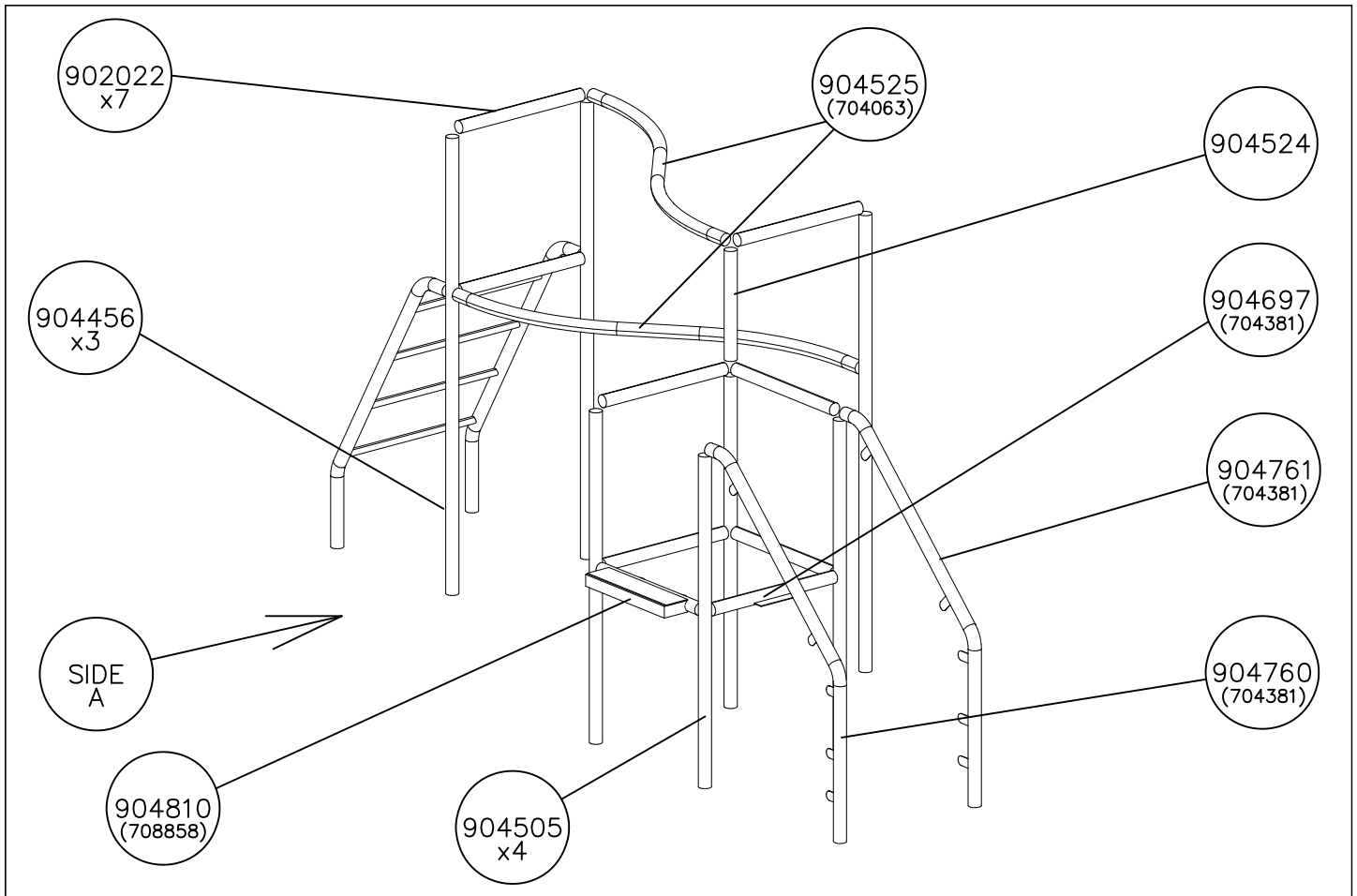
—— EN/AS Impact Area 34.3 m²

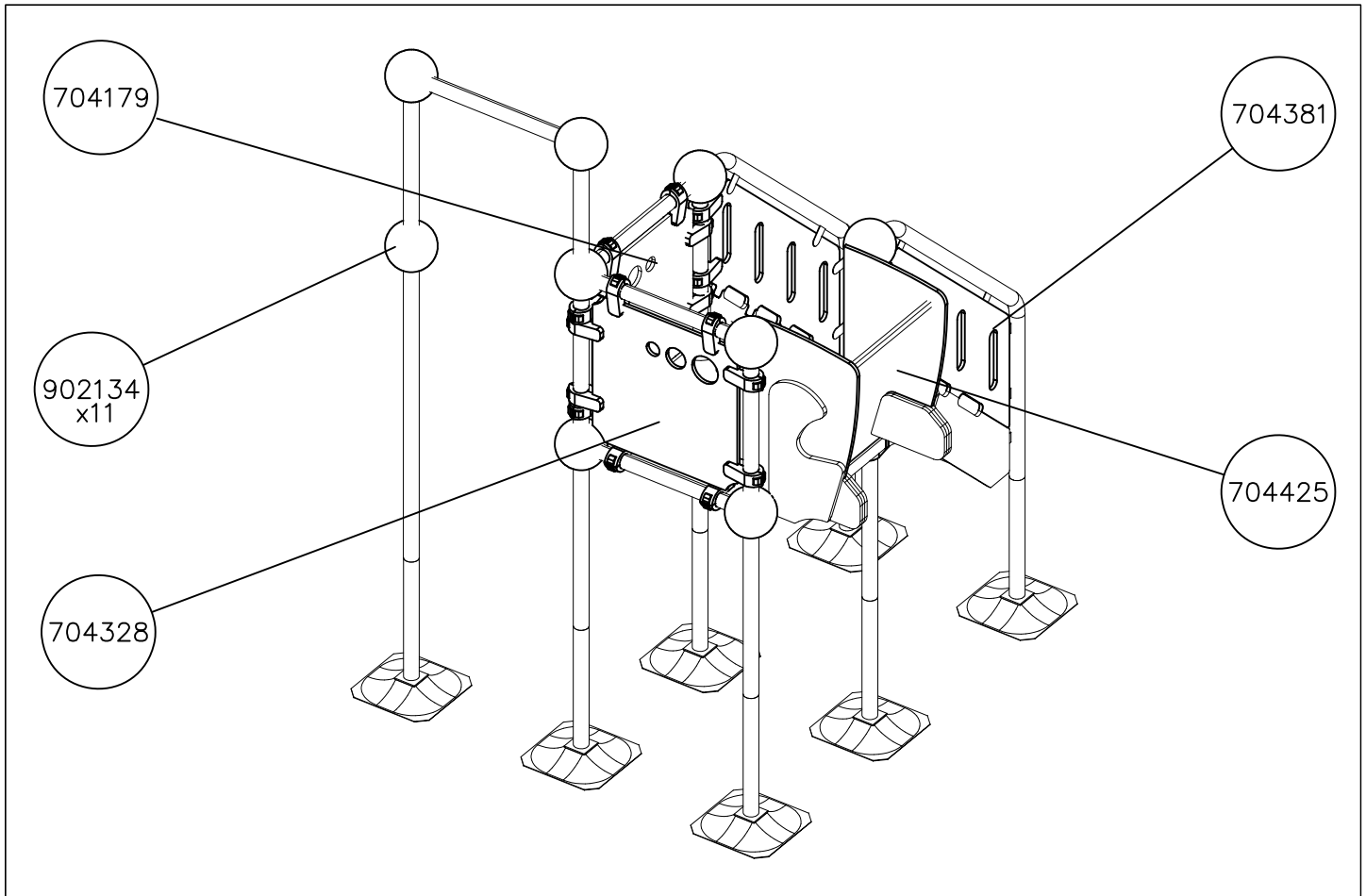
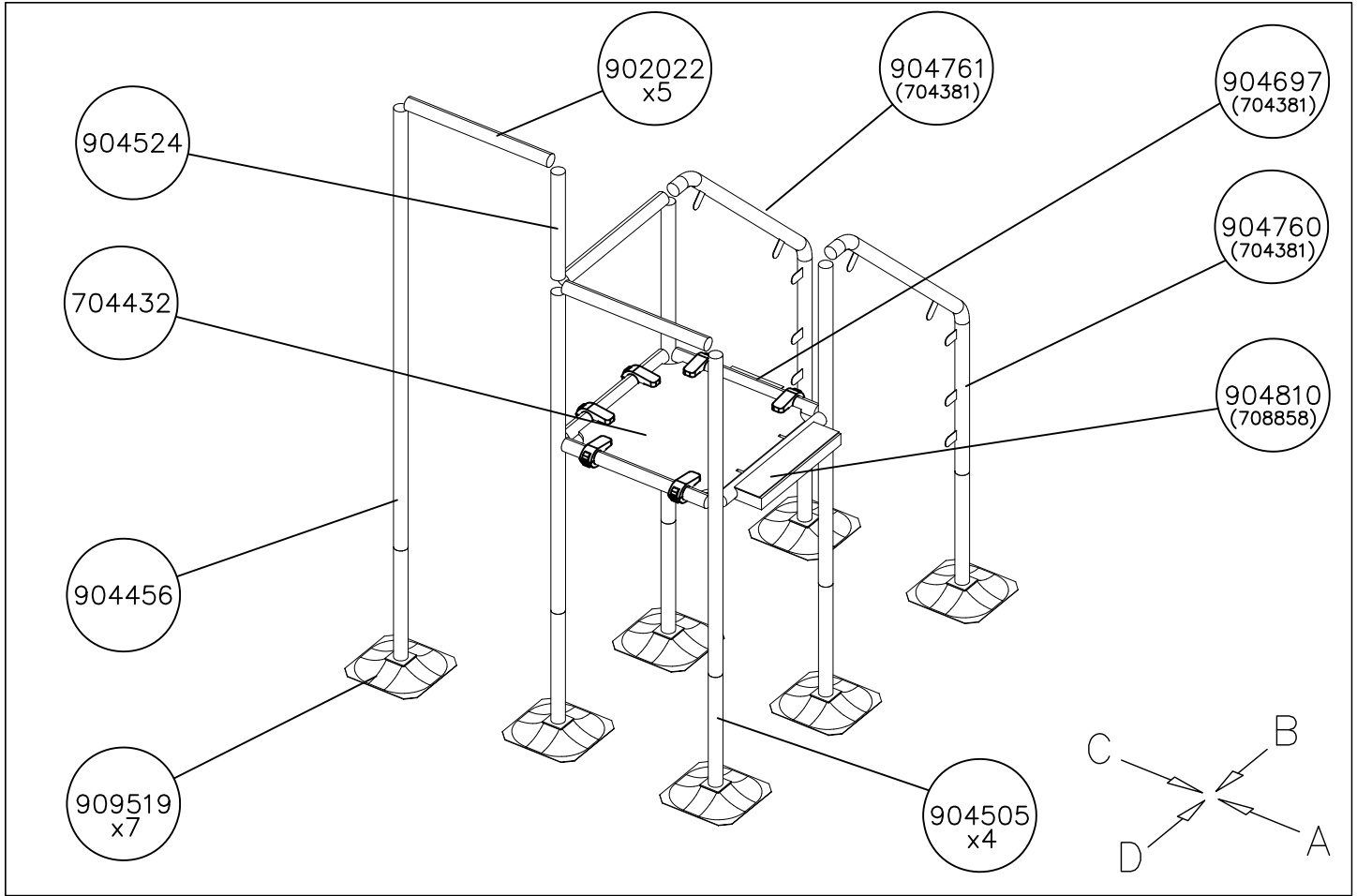
----- Falling Space 36.5 m²

Max Falling Height 2250 mm



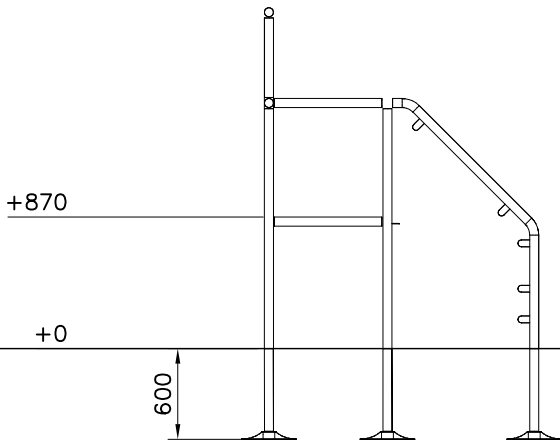




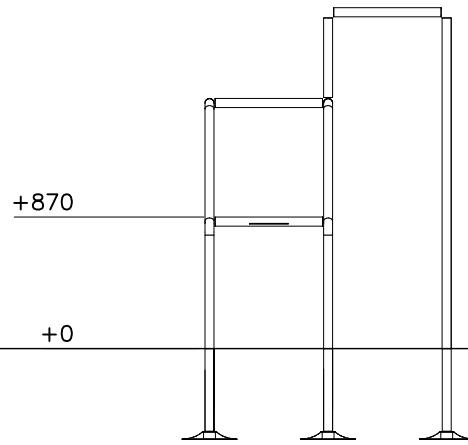


1: 50

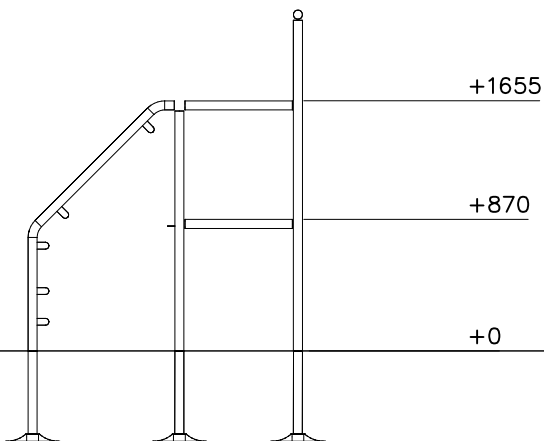
(A)



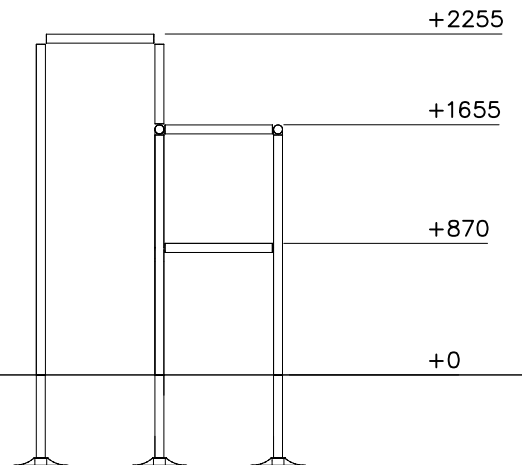
(B)

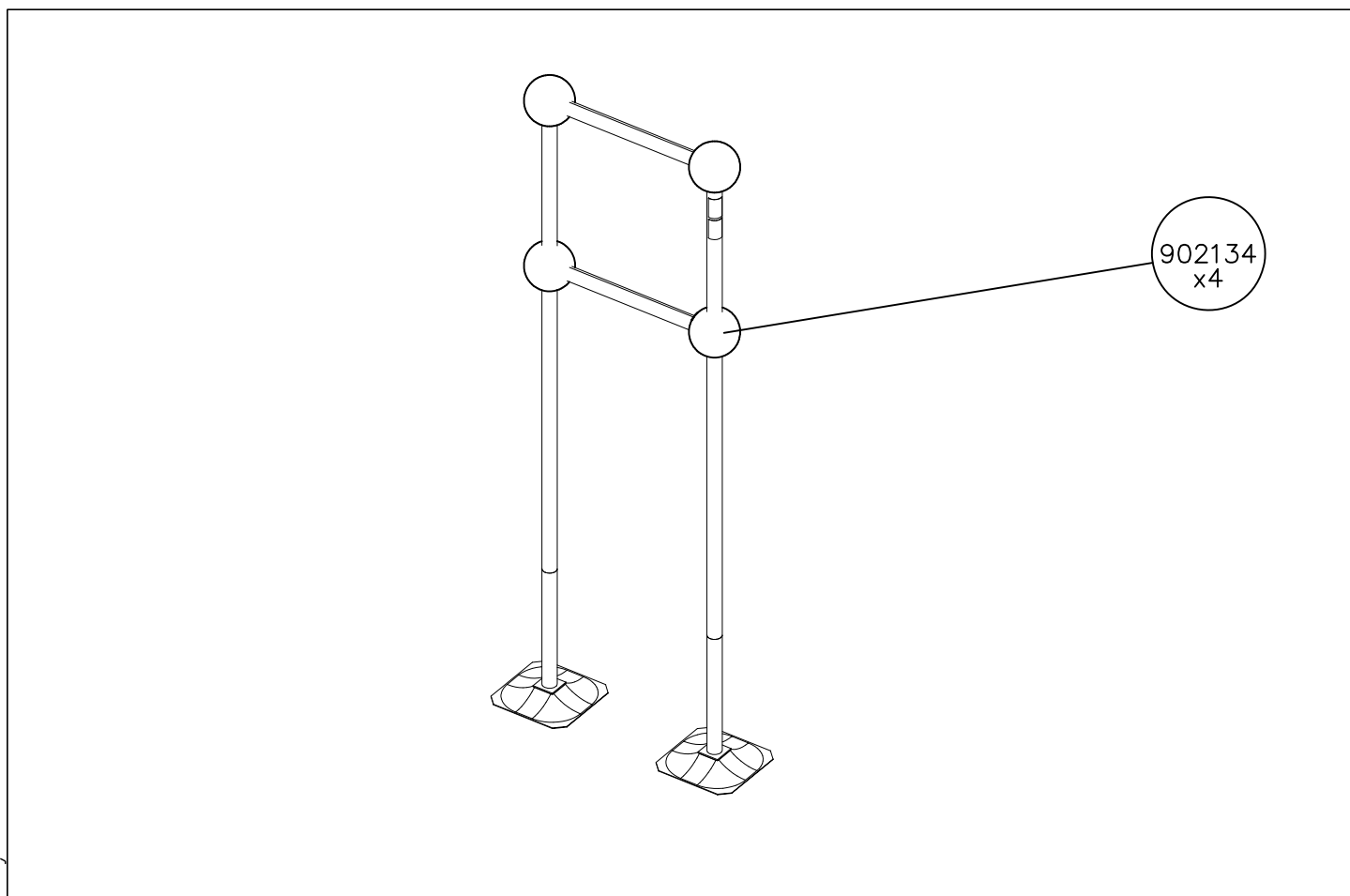
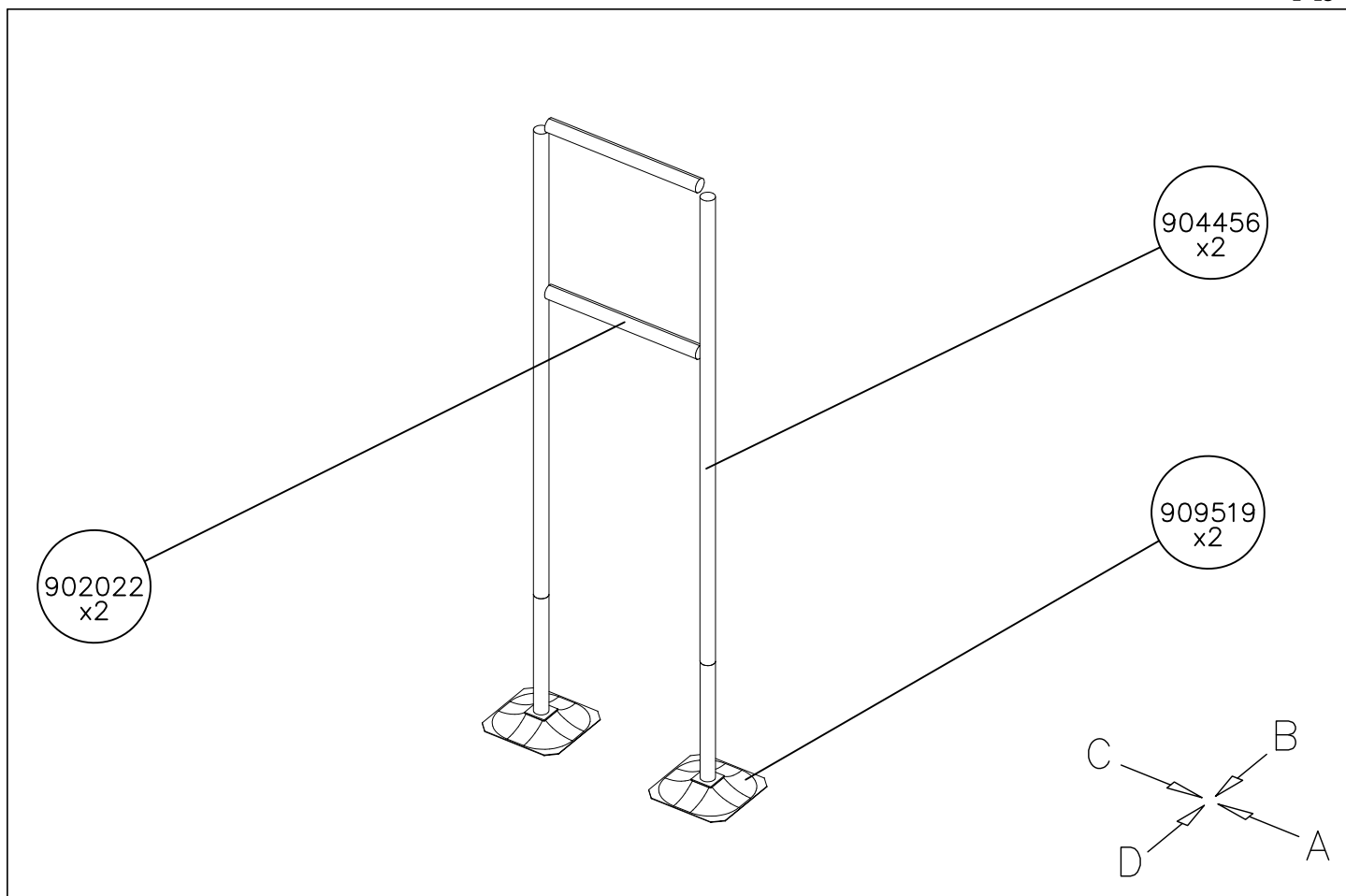


(C)



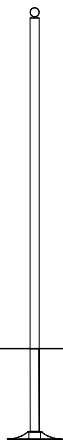
(D)



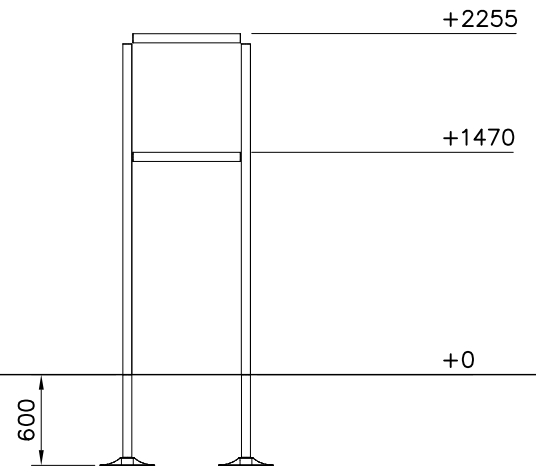


1:50

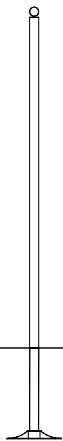
A



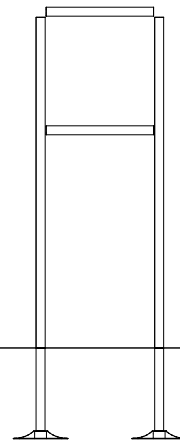
B

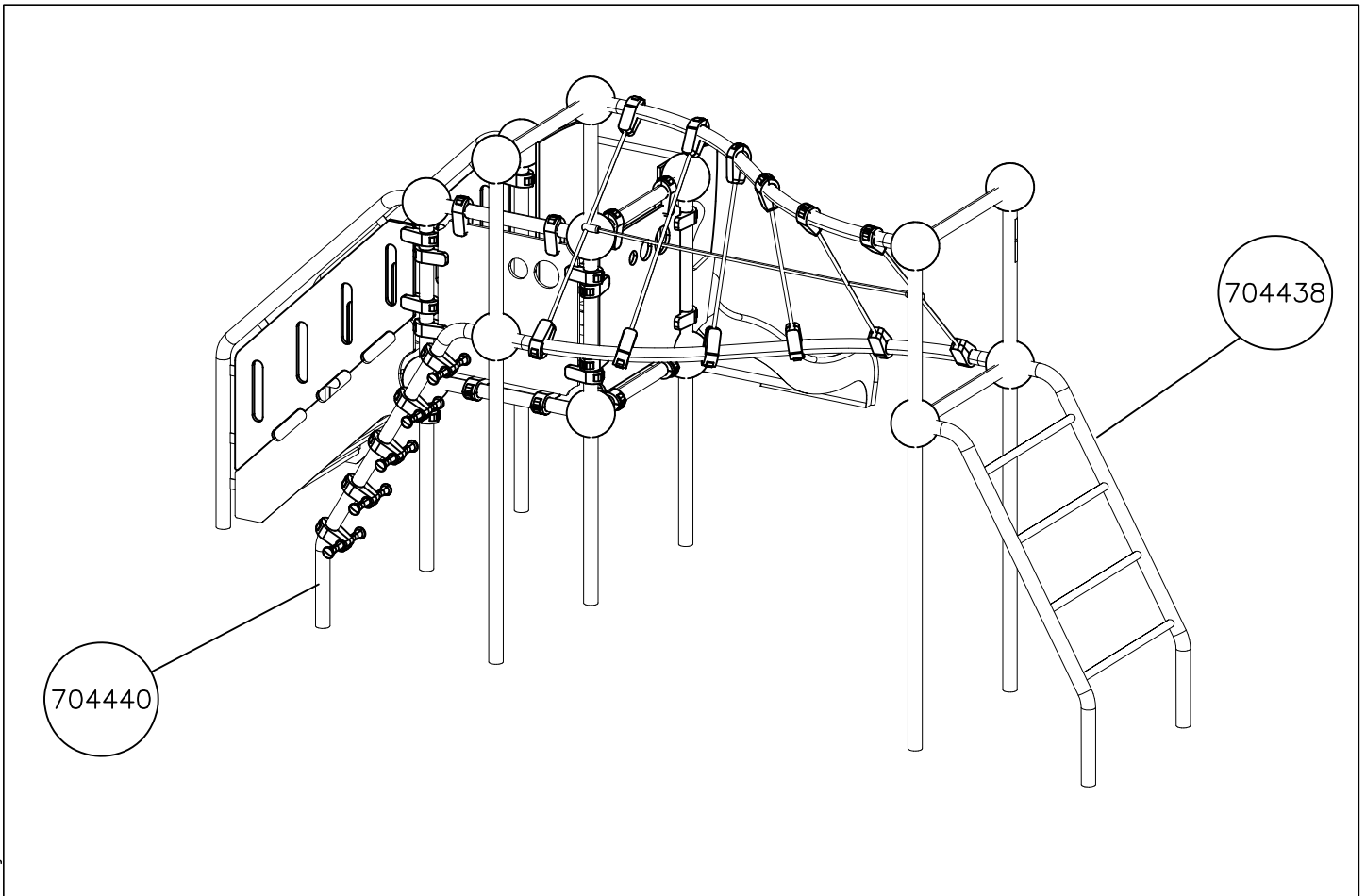
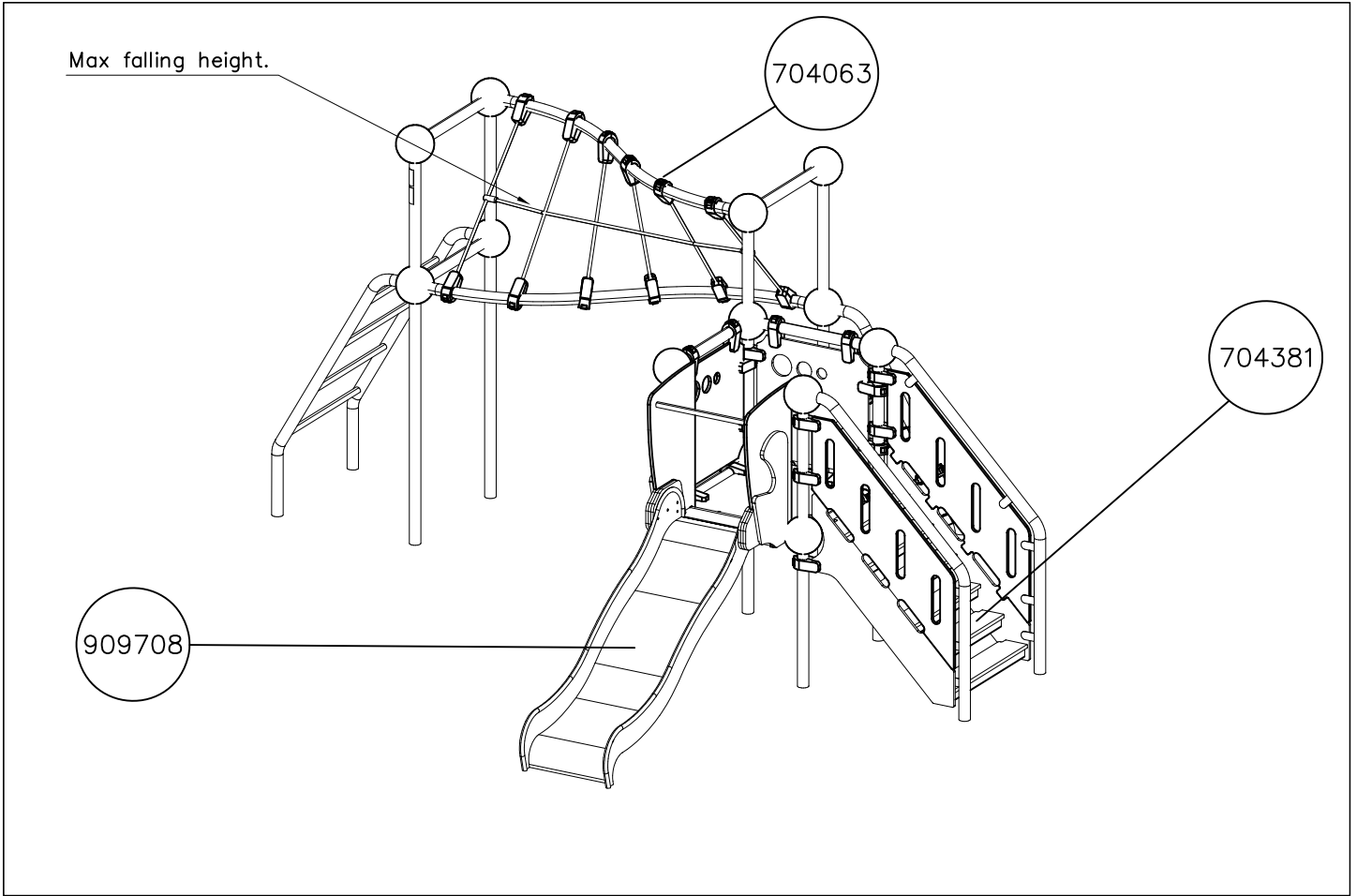


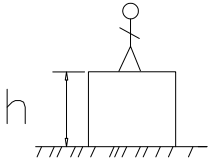



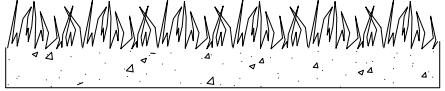
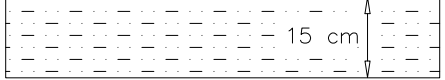
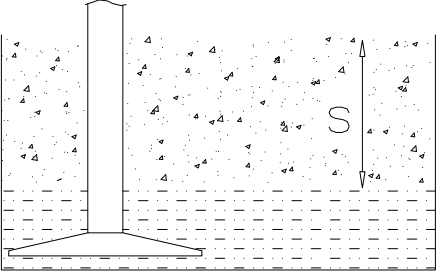
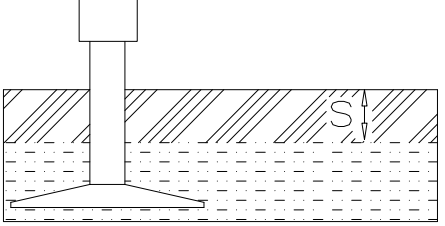
C



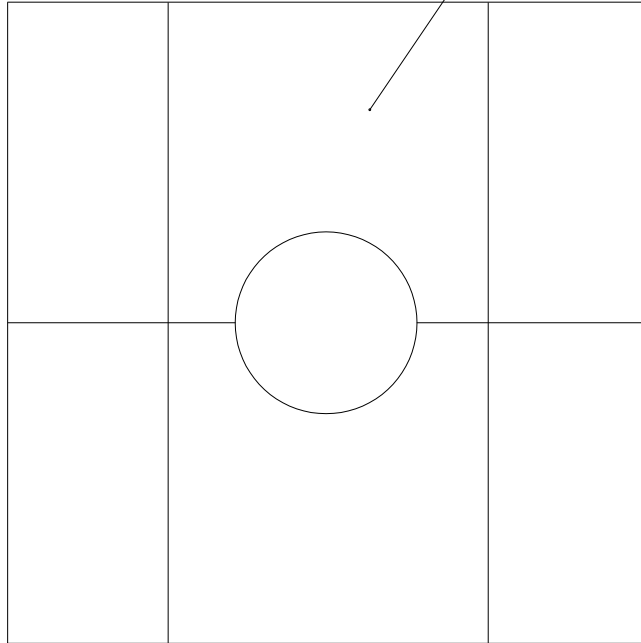
D



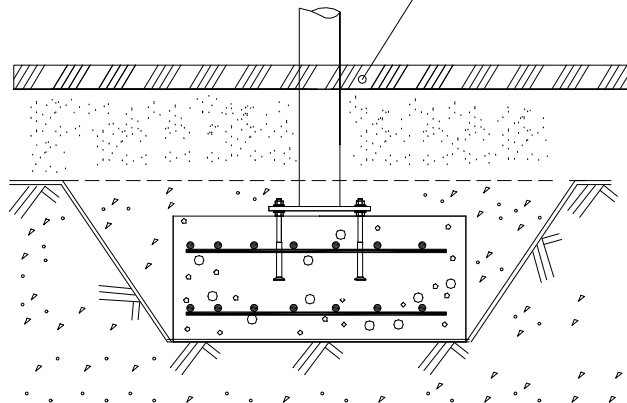


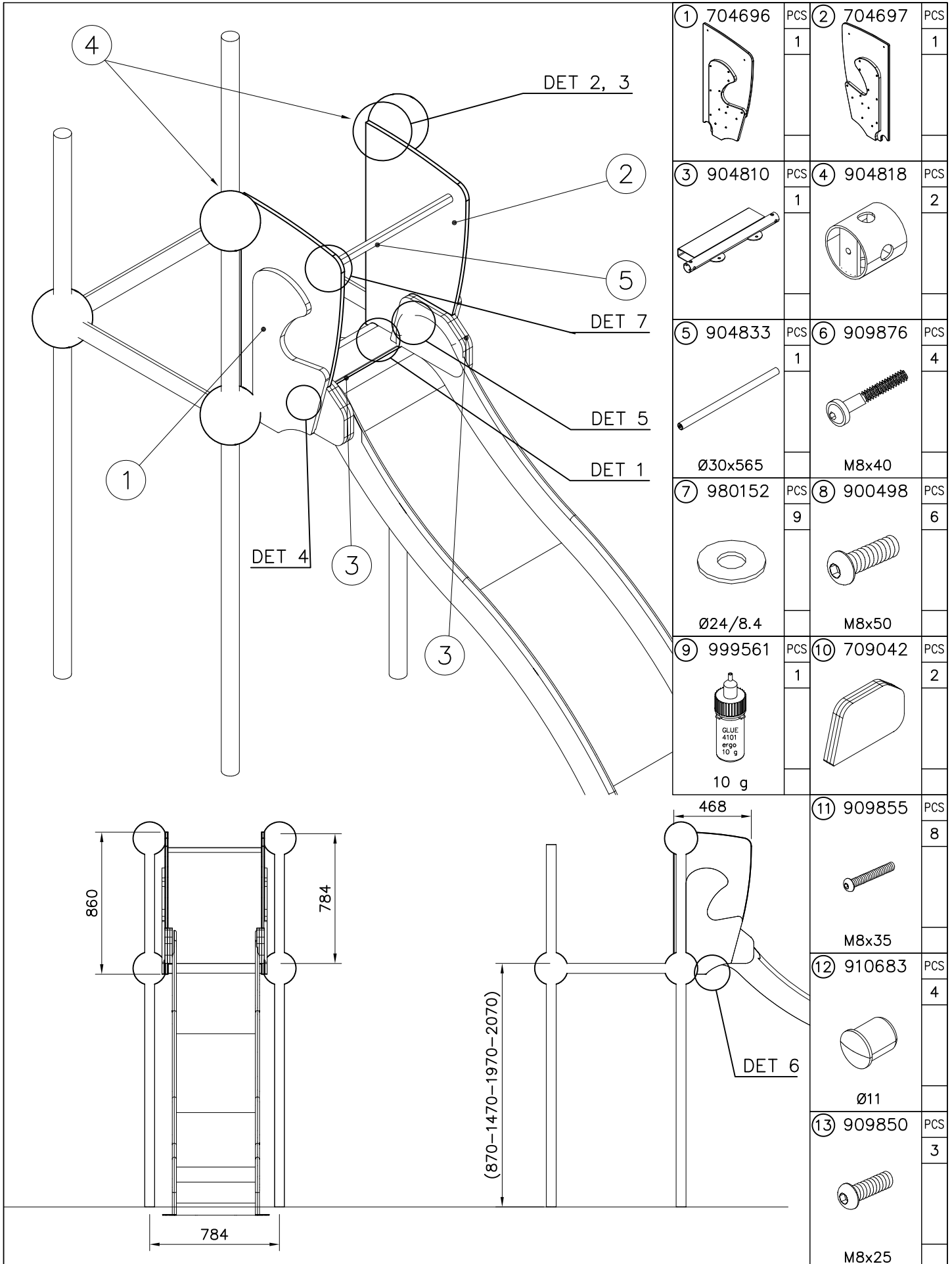
		
<p>$h < 600$</p> <p>Without movement and therefore without Impact Area</p>	<p>Totally hard surfaces.</p> <p>Note. Lappset does <u>not recommend</u> totally hard surfaces at all.</p>	<p>E.g. concrete or asphalt</p> 
<p>$h < 600$</p> <p>With movement e.g. rocking</p>	<p>Materials with very limited impact attenuating properties.</p>	<p>E.g. wood</p> 
<p>$h < 1000$</p>	<p>Materials with significant impact attenuating properties.</p>	<p>fine gravel 0–8 mm</p>  <p>grass</p>  <p>unsorted sand</p> 
<p>$h < 3000$</p>	<p>Loose fill material</p> <p>E.g. sand/gravel 0,25...8 mm D60/D10<3,0 Woodchips 5...30 mm bark 20...80 mm</p>	 <p>\underline{S} \underline{h}</p> <p>30 cm < 2,0 m</p> <p>40 cm < 3,0 m</p>
	<p>Syntethic granulates</p> <p>\underline{S} \underline{h}</p> <p>40 mm ~> 1,2...1,3 m</p> <p>50 mm ~> 1,5...1,7 m</p> <p>60 mm ~> 1,8...2,0 m</p> <p>70 mm ~> 2,1...2,5 m</p> <p>Note. For accurate values, see manufacturer's instructions.</p>	

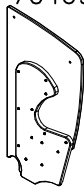
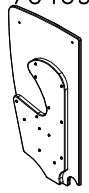
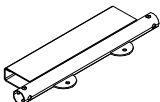
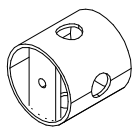
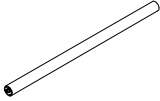
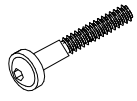
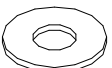
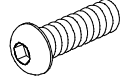

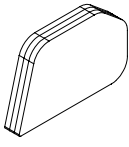

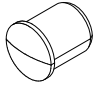
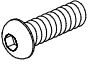
REMOVE SAFETY SURFACE/SAND/GRAVEL
TO CHECK FOUNDATION

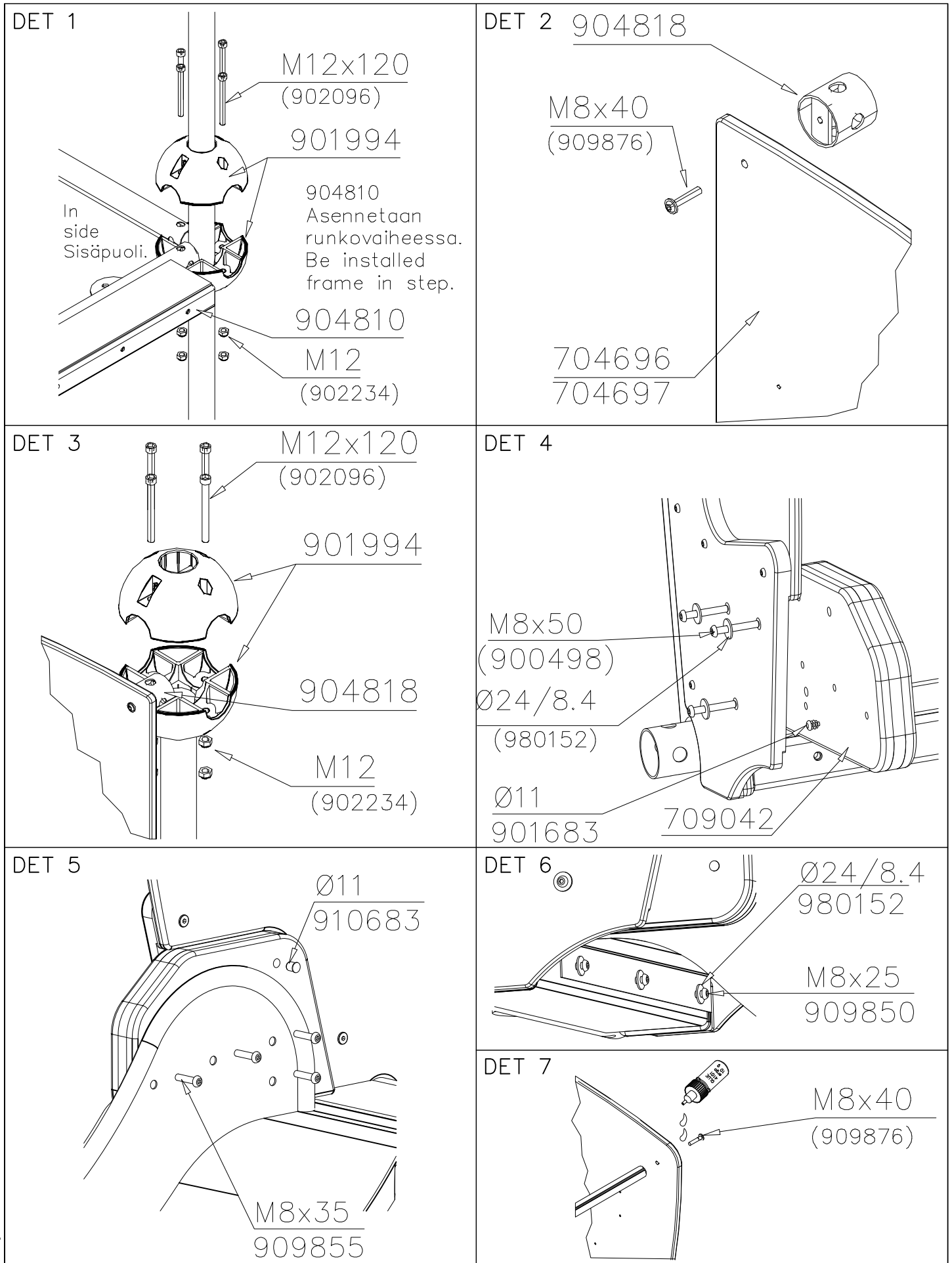


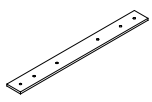
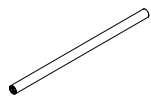
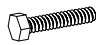
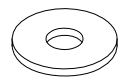
REMOVE SAFETY SURFACE/SAND/GRAVEL
TO CHECK FOUNDATION

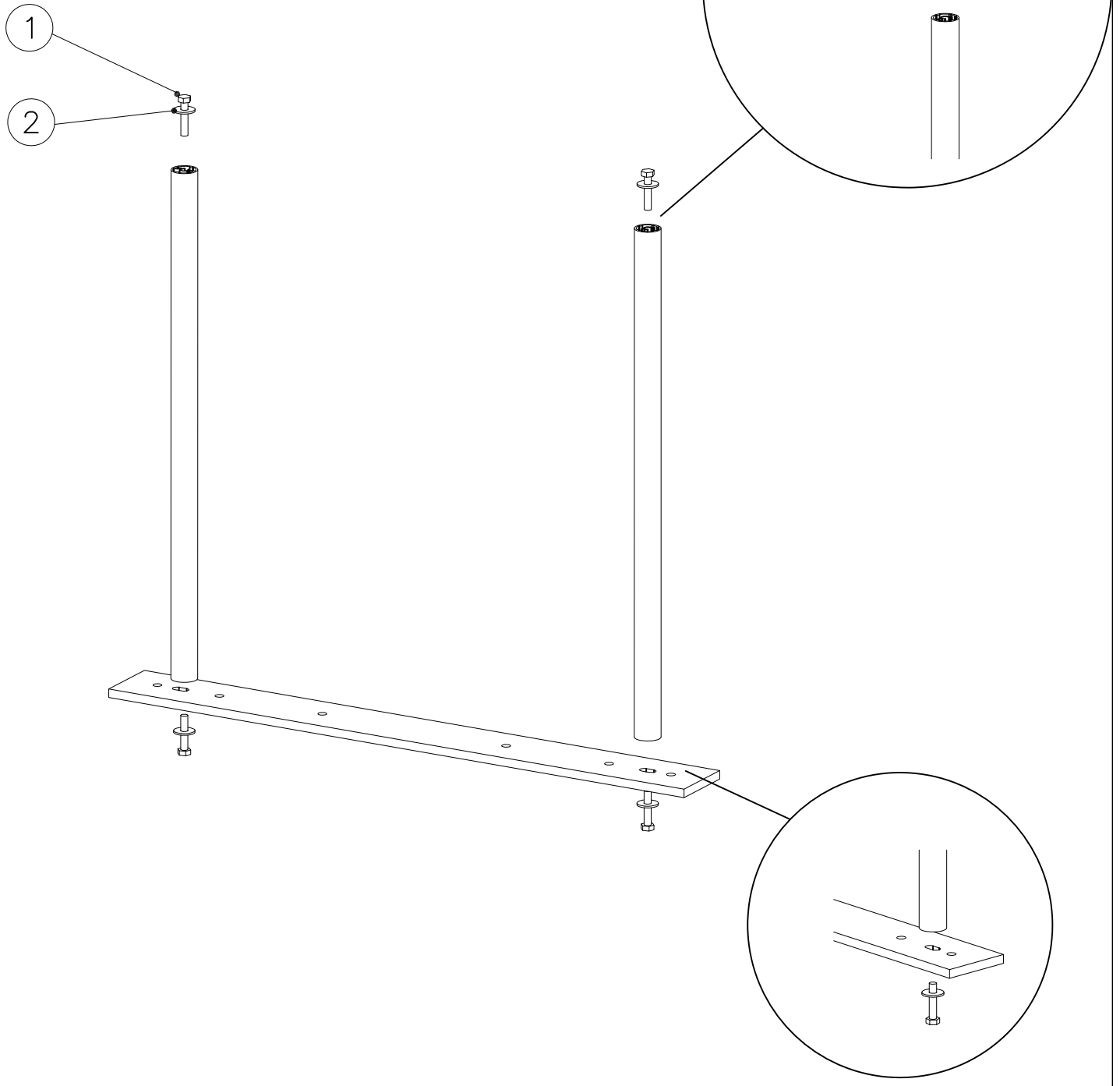




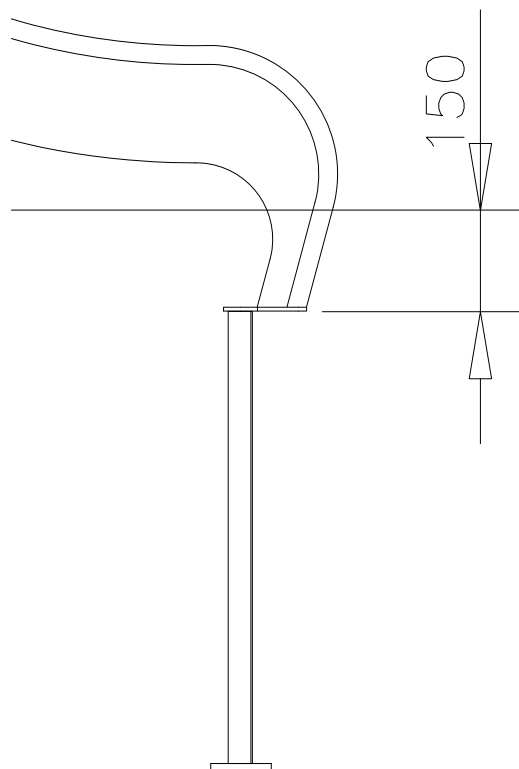
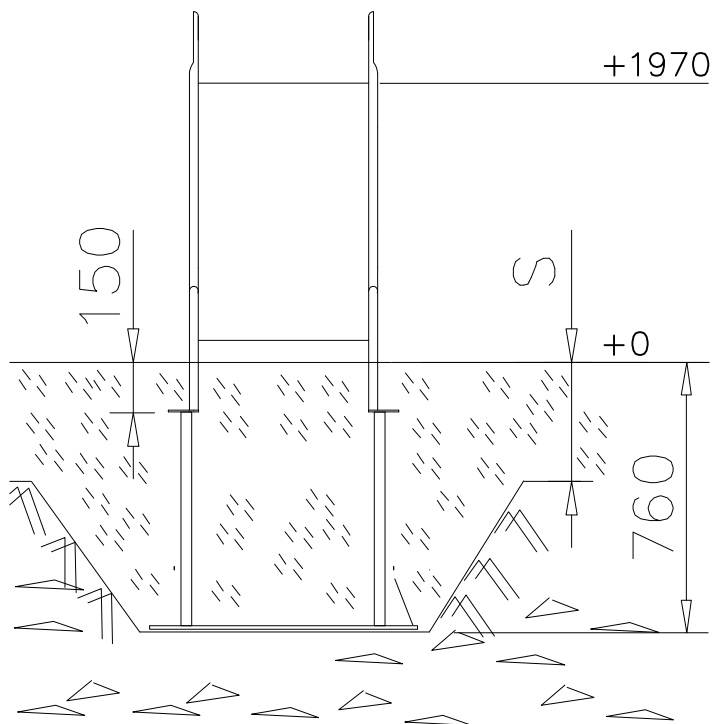
① 704696	PCS	② 704697	PCS
	1		1
③ 904810	PCS	④ 904818	PCS
	1		2
⑤ 904833	PCS	⑥ 909876	PCS
	1		4
Ø30x565		M8x40	
⑦ 980152	PCS	⑧ 900498	PCS
	9		6
Ø24/8.4		M8x50	
⑨ 999561	PCS	⑩ 709042	PCS
	1		2
10 g			
		⑪ 909855	PCS
			8
		M8x35	
		⑫ 910683	PCS
			4
		Ø11	
		⑬ 909850	PCS
			3
		M8x25	



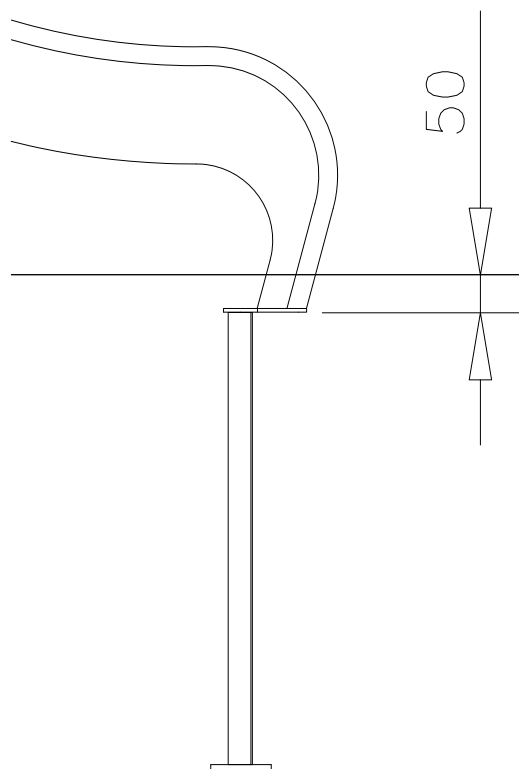
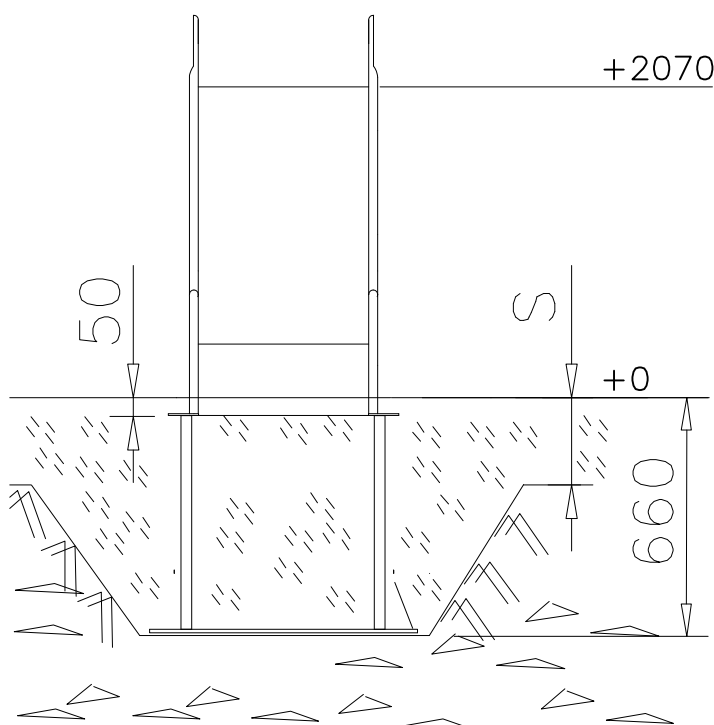
○ 707133	PCS	○ 901868	PCS	① 909210	PCS	② 905051	PCS
	1		2		4		4
							
10x80x745		Ø30x598		M8x40		Ø24/8.4	

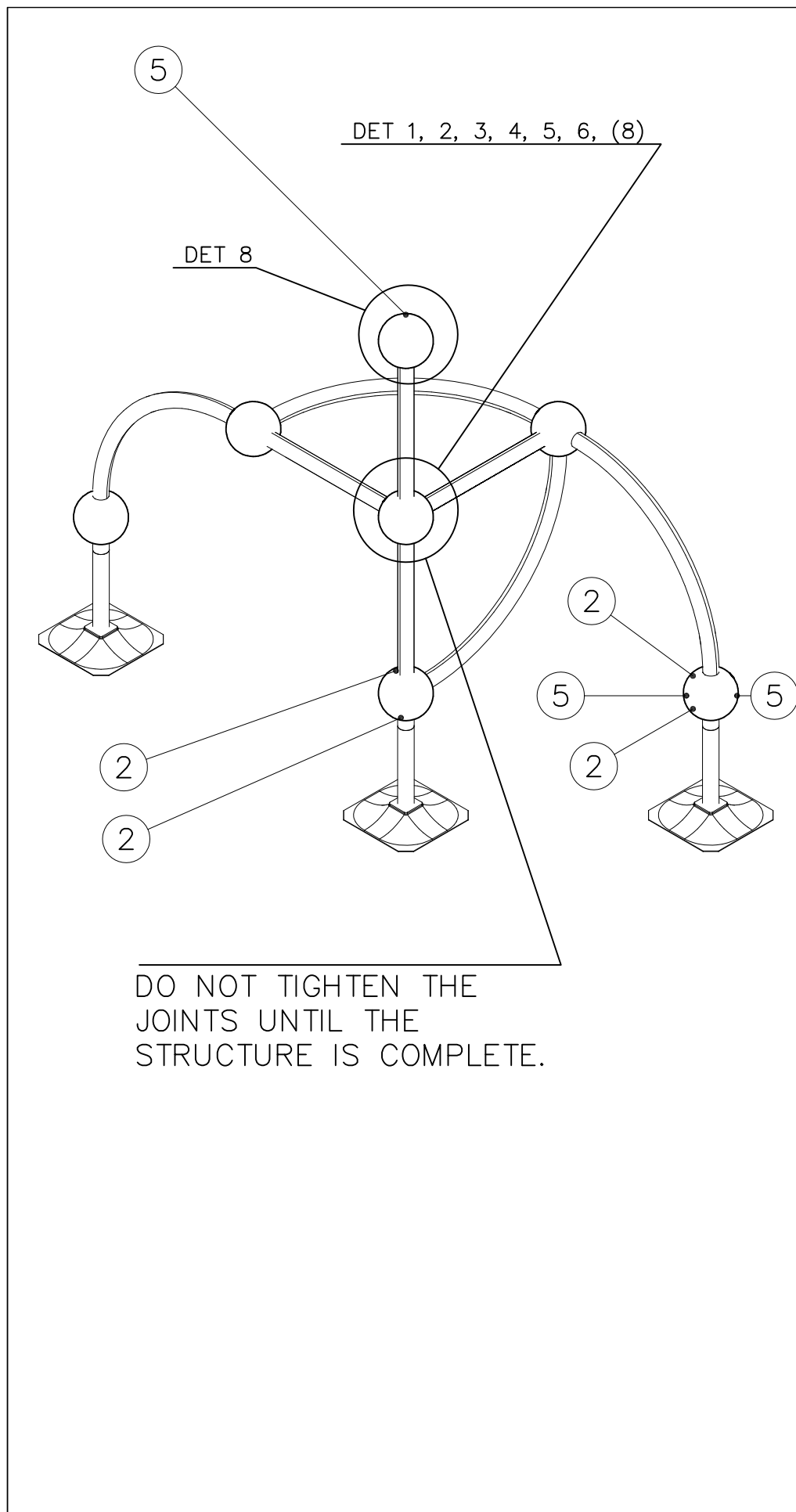


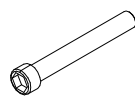

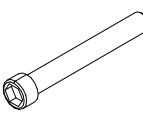

Floor level +1970

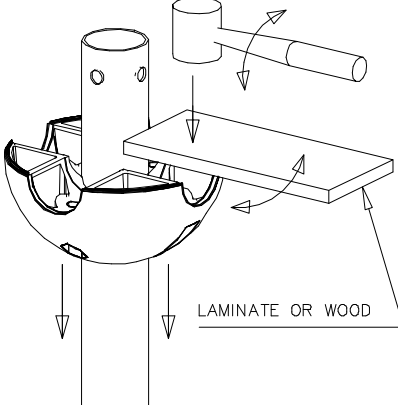
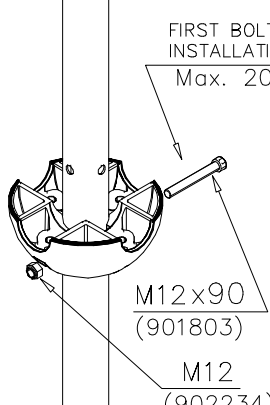
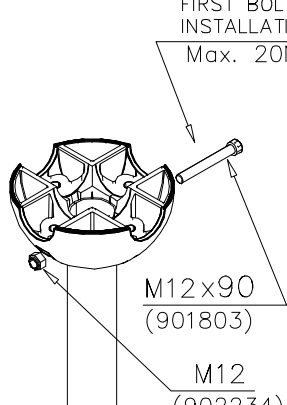
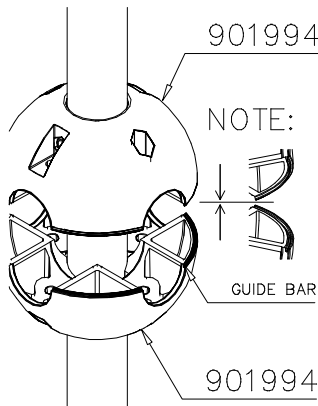
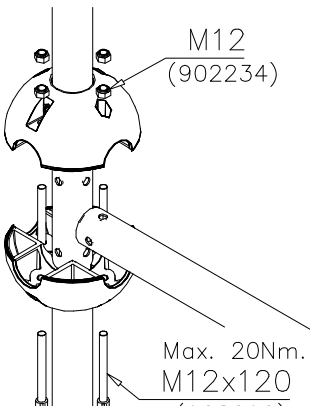
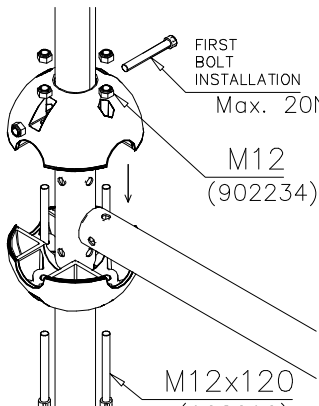
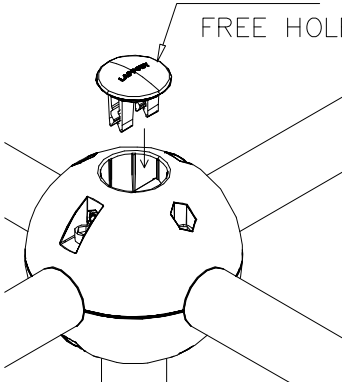
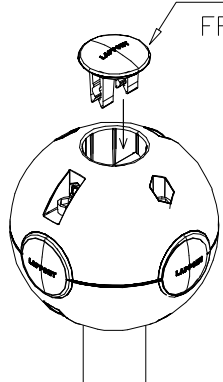


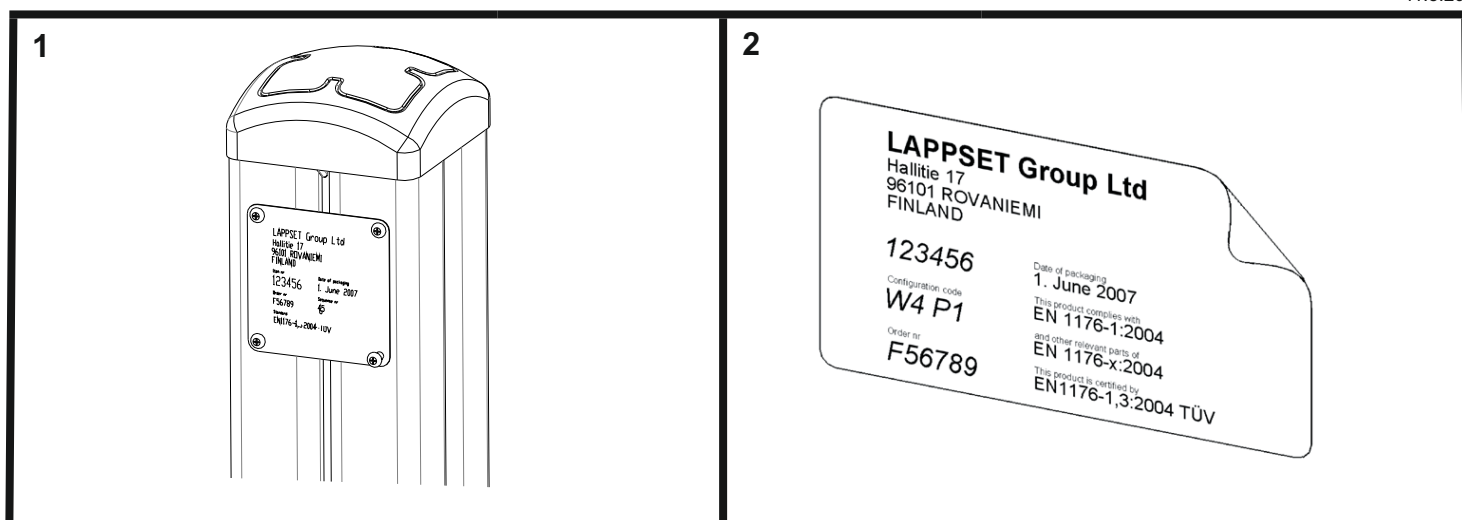
Floor level +2070





①	901803	PCS	②	901994	PCS
		2			2
					
	M12x90			Ø190	
③	902096	PCS	④	902234	PCS
		4			6
					
	M12x120			M12	
		PCS			PCS
		PCS			PCS
		PCS			PCS
		PCS			PCS
		PCS			PCS

<p>DET 1</p> 	<p>DET 2</p> <p>FIRST BOLT INSTALLATION Max. 20Nm.</p> 	<p>DET 3</p> <p>FIRST BOLT INSTALLATION Max. 20Nm.</p> 
<p>DET 4</p>  <p>NOTE:</p> <p>901994</p> <p>GUIDE BAR</p> <p>901994</p>	<p>DET 5</p>  <p>M12 (902234)</p> <p>Max. 20Nm. M12x120 (902096)</p>	<p>DET 6</p> <p>FIRST BOLT INSTALLATION Max. 20Nm.</p>  <p>M12 (902234)</p> <p>M12x120 (902096)</p>
<p>REMEMBER FINAL TIGHTENING</p>	<p>DET 7</p> <p>902157 or 904747 FREE HOLE</p> 	<p>DET 8</p> <p>902157 or 904747 FREE HOLE</p> 



Tuotekyltti tulee tuotteen mukana yhdellä seuraavista tavoista:

1) Metallinen tuotekyltti ja kiinnitysruuvit

- Kiinnitä tuotekyltti ruuveilla tolppaan noin 2 metrin korkeuteen kuvan 2 mukaisesti.

2) Tuotekylttitarra

- Puhdista maalattu metalli- tai vaneripinta pölystä ja kosteudesta. Liimaa tarra kuvan 3 mukaisesti.
- Huom. Älä kiinnitä tarraa karheapintaiseen laminaattiin tai maalattuun puuhun.

Vår produktmärkning levereras på ett av följande sätt:

1) Produktskylt i metall

- Fäst skylten med de medföljande skruvarna

2) Självhäftande produktetikett

- Rengördenpulverlackerademetallytanellerlaminatytansåttndenblirfrifrånsmutsochfukt.Fästetikettenenligtfig.3.
- Obs! Fäst ej etiketten på detaljer med skrovlig yta eller på målat trä.

Product label is delivered by one of following ways:

1) Metal product label and screws

- Fasten the label with screws.

2) Label sticker

- Cleanthepaintedmetalorplywoodsurfacefromdirtandmoisture.Fastenthestickerasshowninthefigure3.
- Note. Do not attach the sticker to rough surfaced laminate or painted wood.

La plaque d'informations produit est livrée sous l'une de ces 3 formes :

1) Plaque métallique et vis

- Fixez la plaque à l'aide des vis.

2) Etiquette autocollante

- Avant de coller l'étiquette, nettoyez le composant métallique peint ou la plaque de contreplaqué, de toute saleté. La surface doit être sèche (voir image 3).
- Attention, ne pas coller l'étiquette sur une surface lamellé-collée irrégulière ou sur du bois peint.

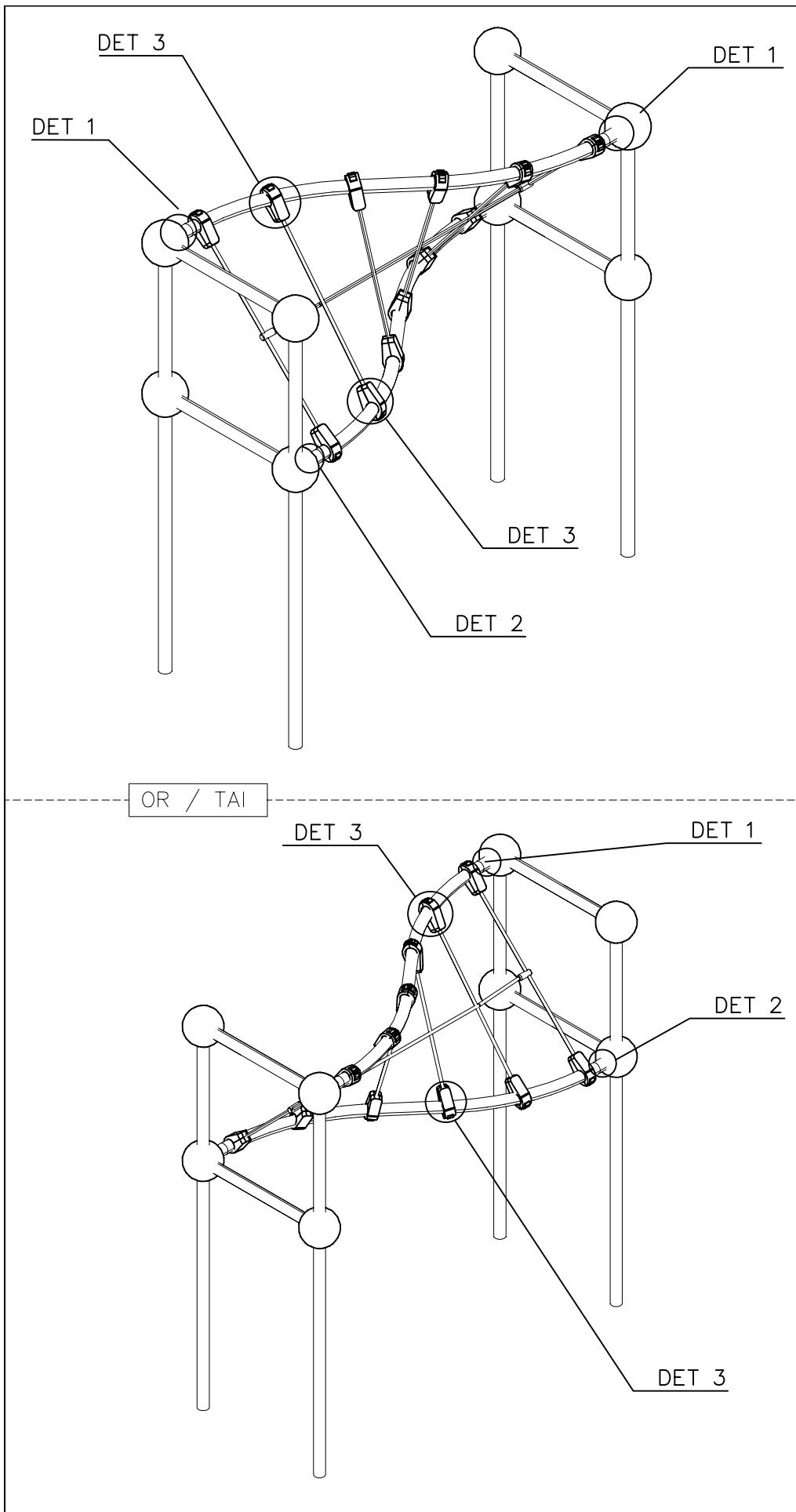
Die Auslieferung des Produktaufklebers erfolgt auf eine dieser Arten:



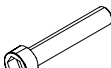
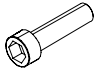



1) Produkt-Schild aus Metall incl. Schrauben

- Die Befestigung des Schildes erfolgt mittels der Schrauben.

2) Aufkleber

- EntfernenSiezunächstSchmutzundFeuchtigkeitvomlackiertenMetallbzw.vonderHolzoberflächeundbringenSiedenAufkleber wie im Bild oben rechts beschrieben auf den gesäuberten Untergrund auf.
- Beachten Sie: Bringen Sie den Aufkleber nicht auf raues laminiertes oder lackiertes Holz an.



① 704064	PCS	② 902195	PCS
	1		24
		150x50x50	
③ 902232	PCS	④ 902233	PCS
	12		12
M10x55		M10x30	
⑤ 902273	PCS	⑥ 904525	PCS
	24		2
		Ø60x2.5	
⑦ 980161	PCS		PCS
	24		
M10			
	PCS		PCS
	PCS		PCS
	PCS		PCS
	PCS		PCS

WINAM GROUP

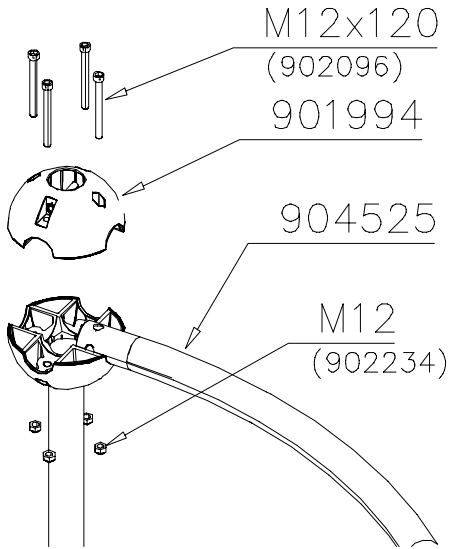
CLOXX

704063

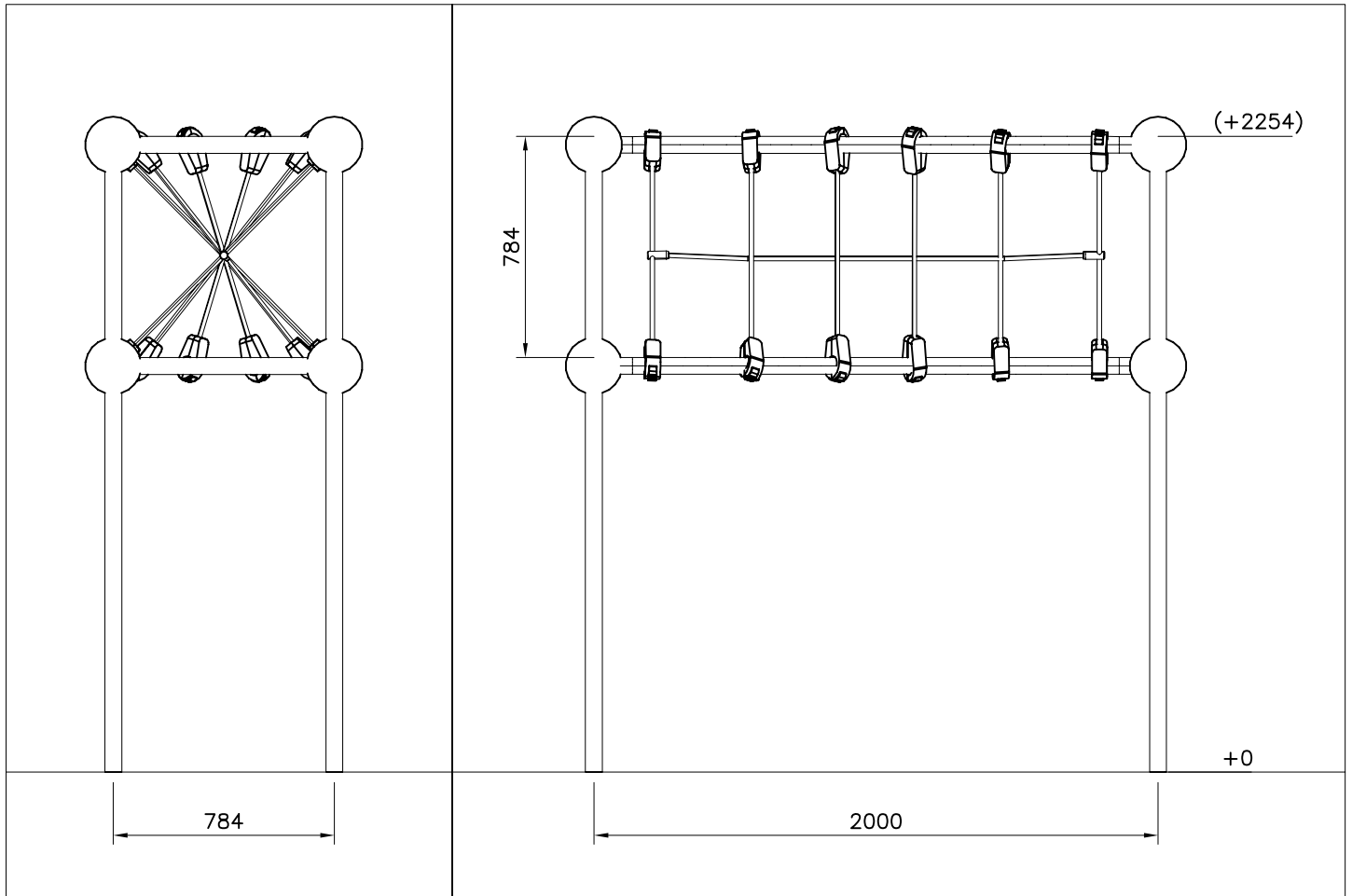
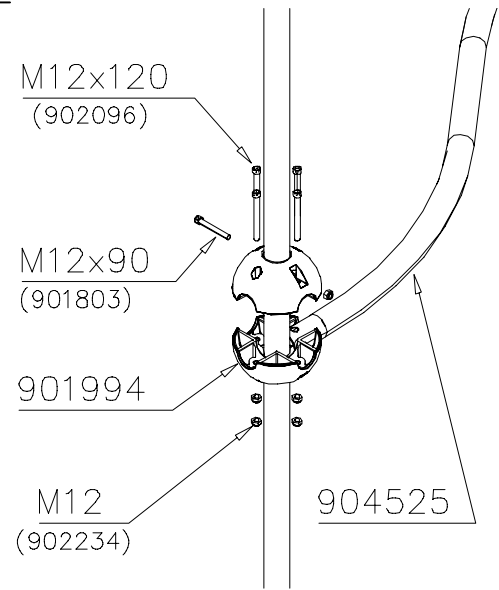
DATE: 14.5.2012



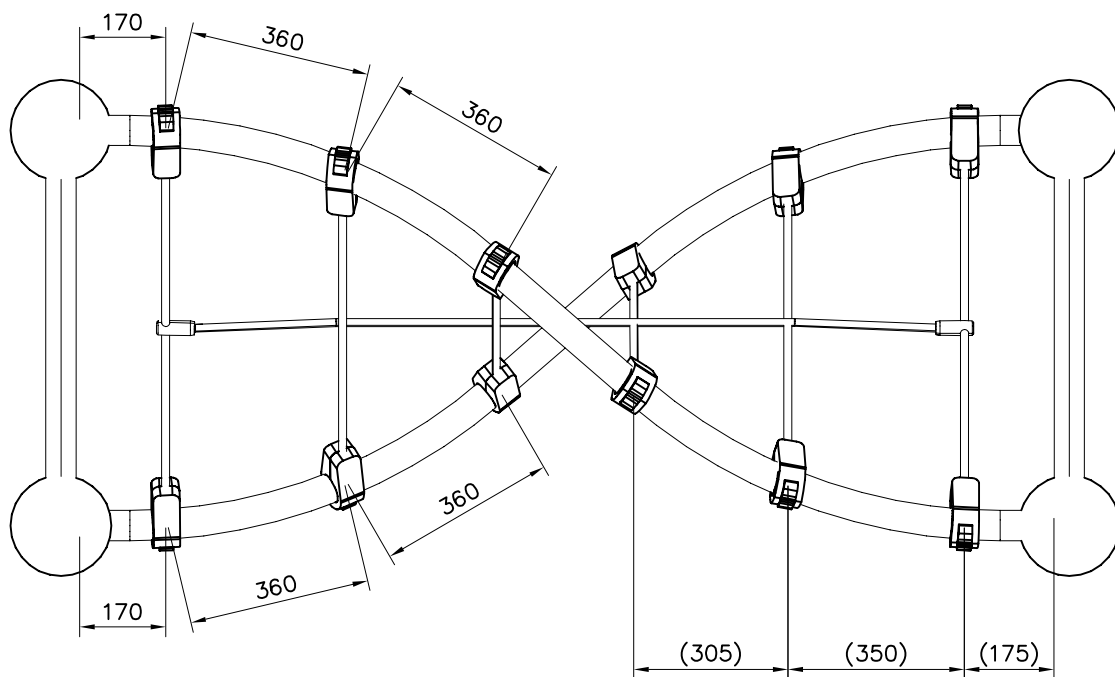
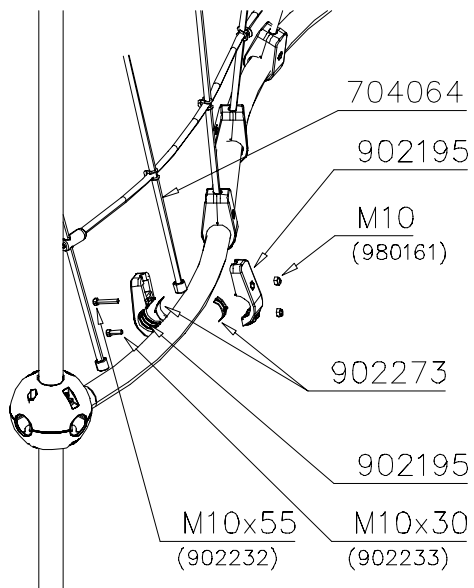
DET 1

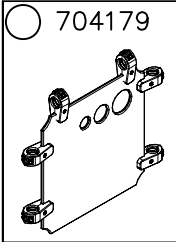
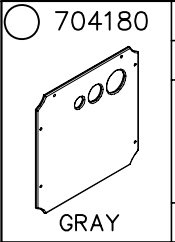
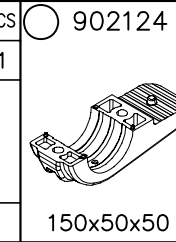
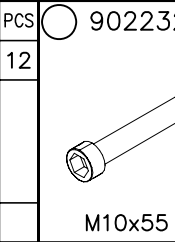
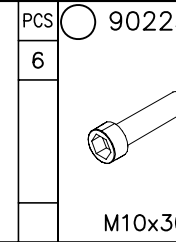
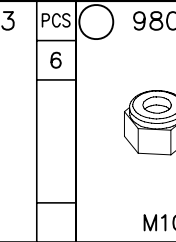
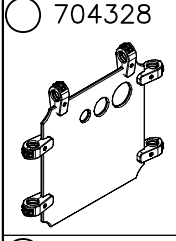
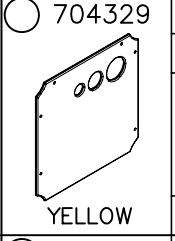
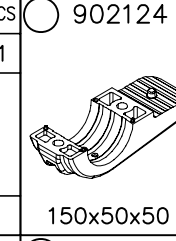
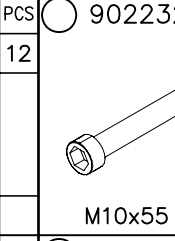
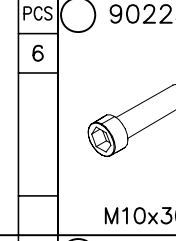
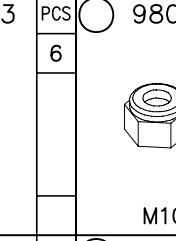
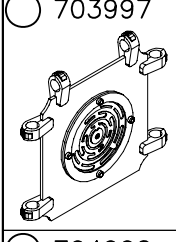
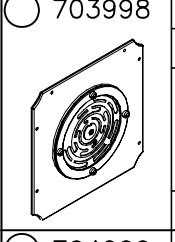
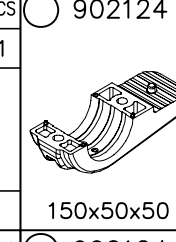
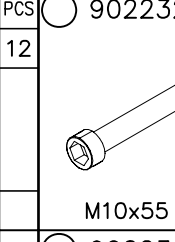
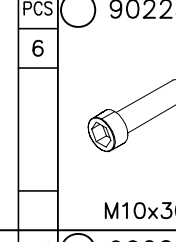
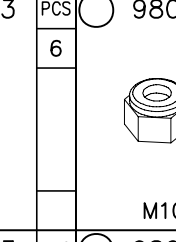
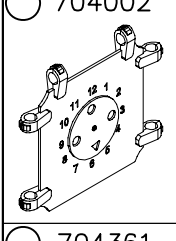
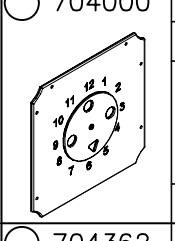
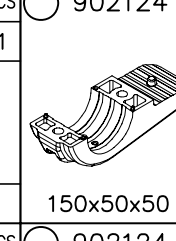
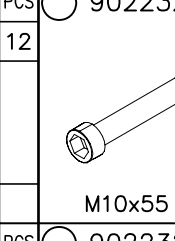
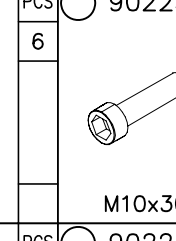
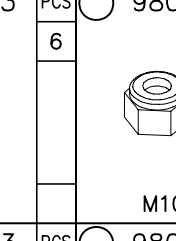
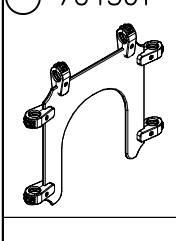
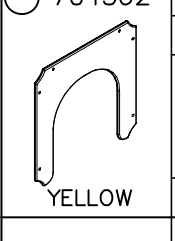
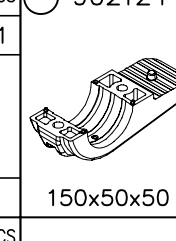
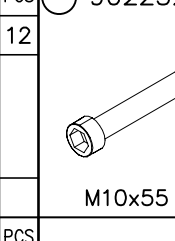
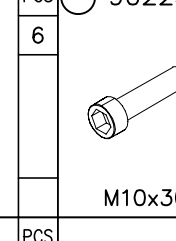
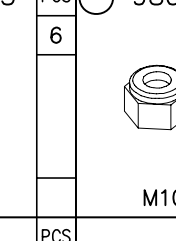


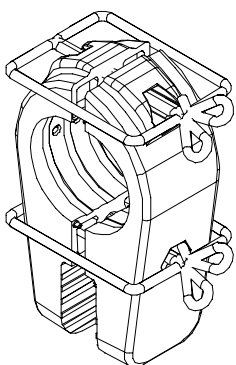
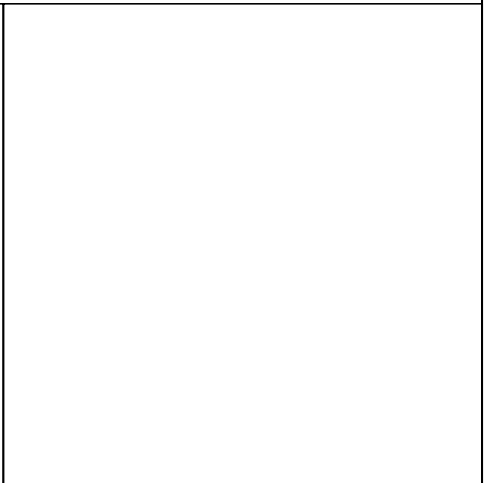
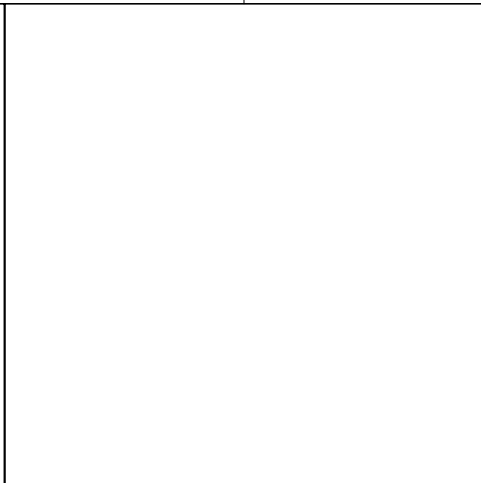
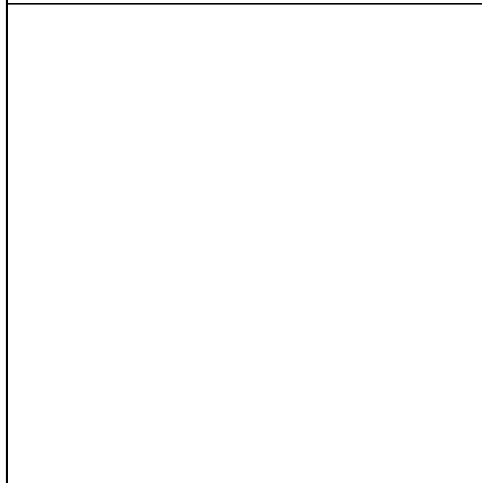
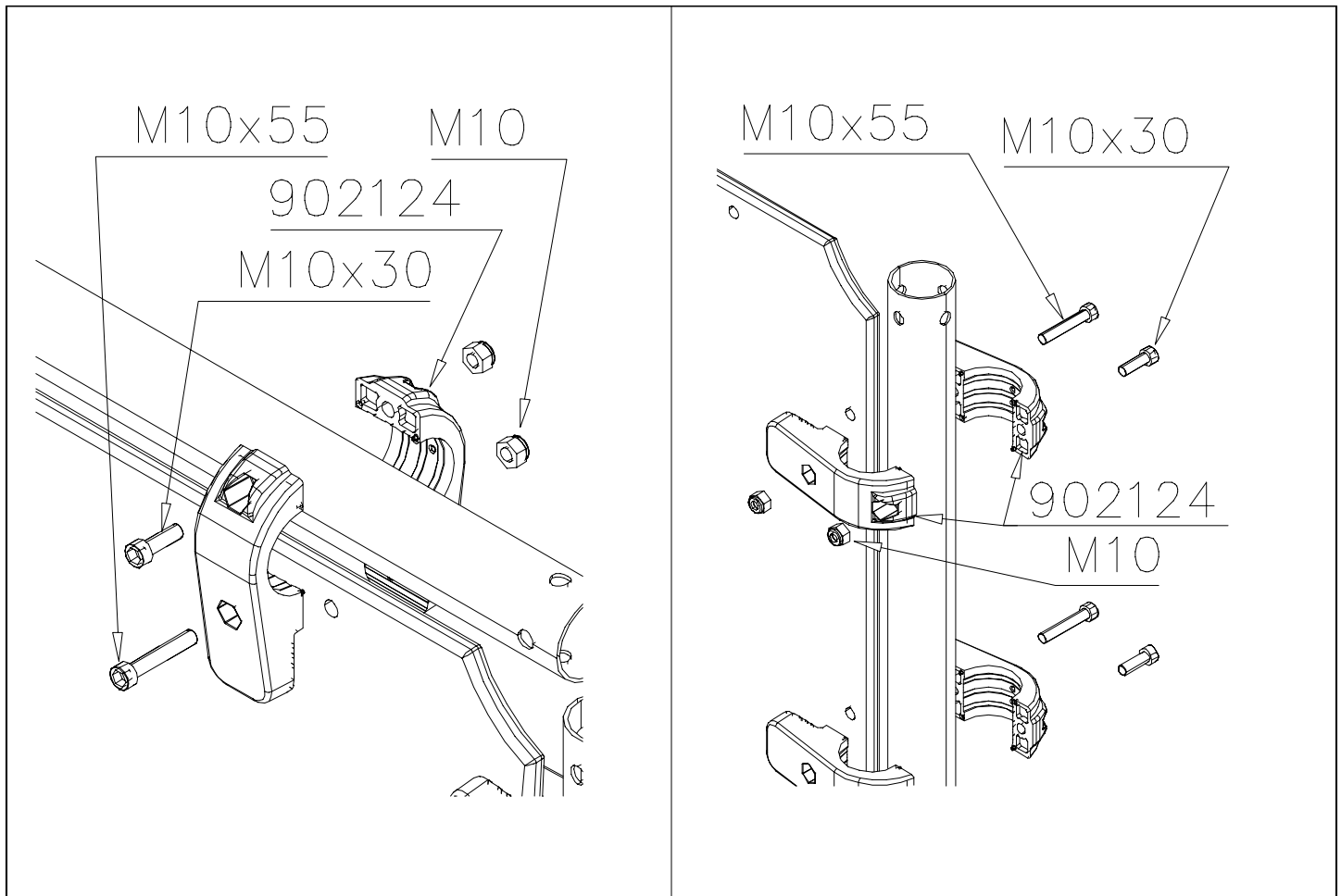
DET 2



DET 3

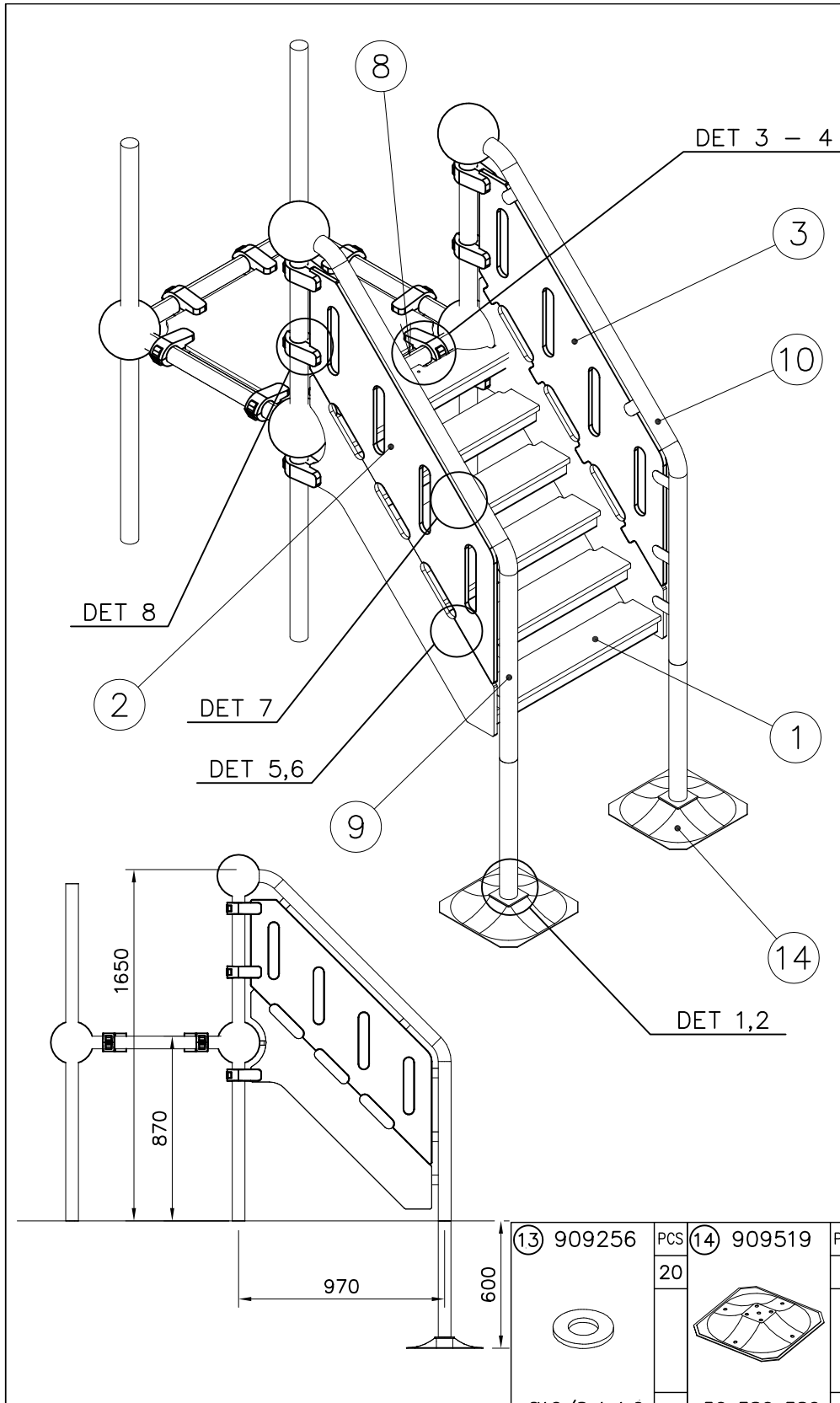


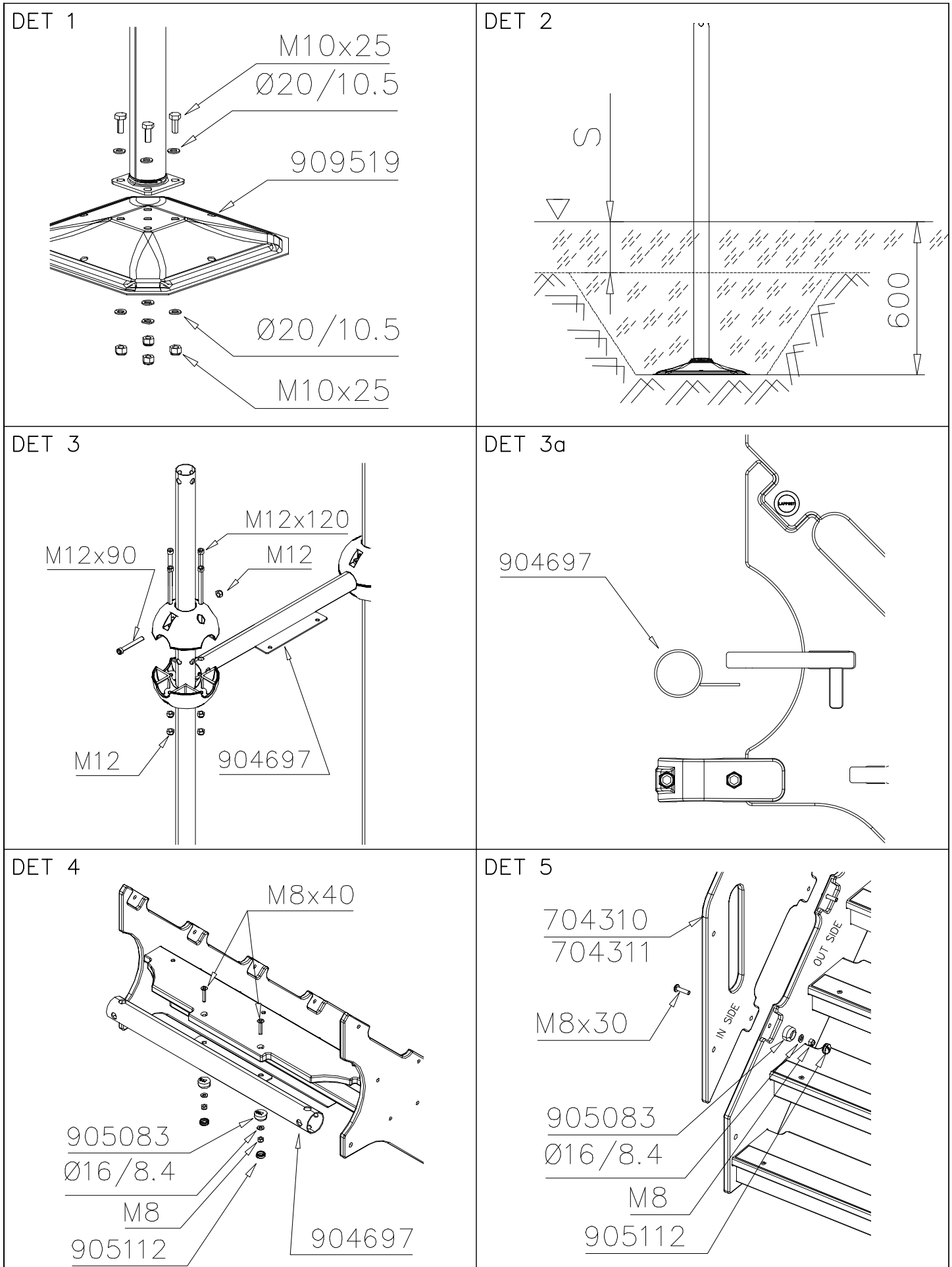
 704179	 704180 GRAY	PCS 1	 902124 150x50x50	PCS 12	 902232 M10x55	PCS 6	 902233 M10x30	PCS 6	 980161 M10	PCS 12		PCS
 704328	 704329 YELLOW	PCS 1	 902124 150x50x50	PCS 12	 902232 M10x55	PCS 6	 902233 M10x30	PCS 6	 980161 M10	PCS 12		PCS
 703997	 703998	PCS 1	 902124 150x50x50	PCS 12	 902232 M10x55	PCS 6	 902233 M10x30	PCS 6	 980161 M10	PCS 12		PCS
 704002	 704000	PCS 1	 902124 150x50x50	PCS 12	 902232 M10x55	PCS 6	 902233 M10x30	PCS 6	 980161 M10	PCS 12		PCS
 704361	 704362 YELLOW	PCS 1	 902124 150x50x50	PCS 12	 902232 M10x55	PCS 6	 902233 M10x30	PCS 6	 980161 M10	PCS 12		PCS
		PCS		PCS		PCS		PCS		PCS		PCS
		PCS		PCS		PCS		PCS		PCS		PCS
		PCS		PCS		PCS		PCS		PCS		PCS

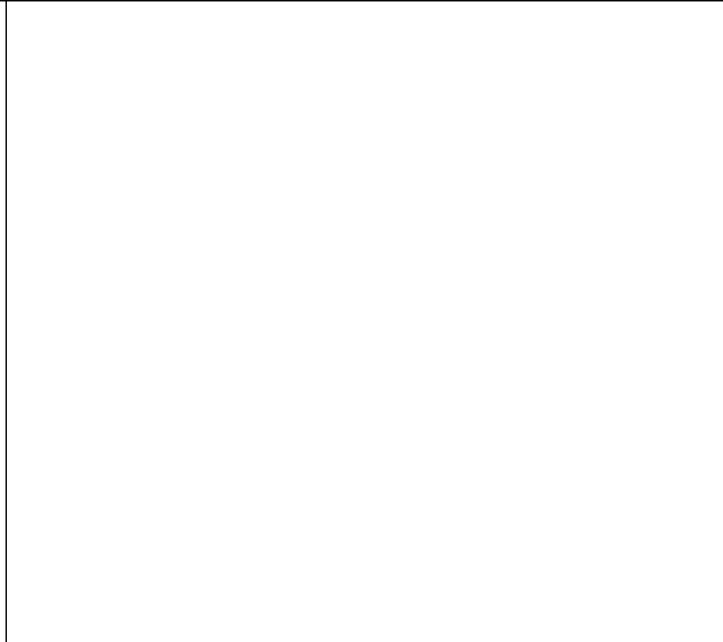
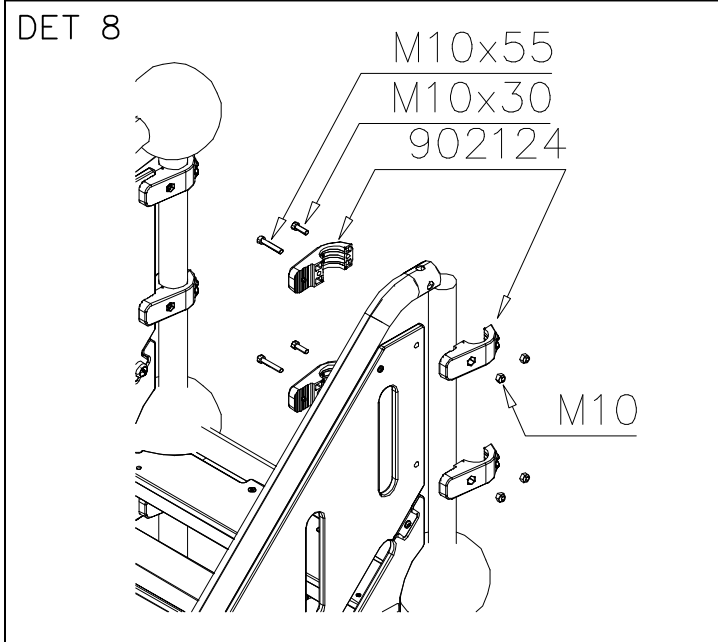
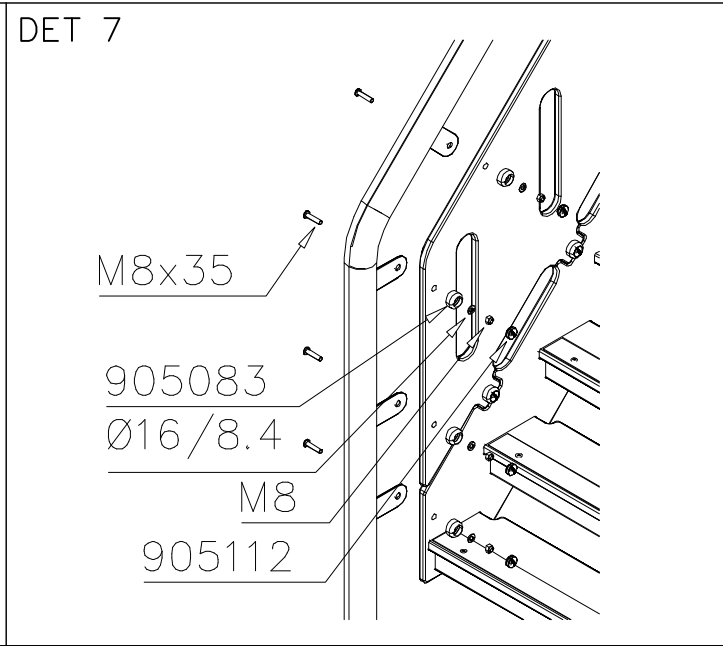
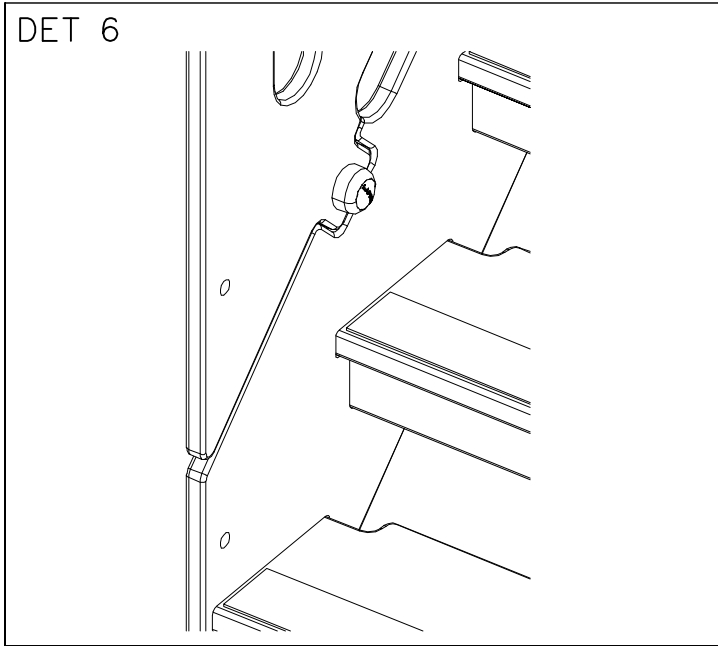


NOTE:
Use a wire marked pairs
of the same junction.

Huom!
Käytä langalla merkittyä
paria samassa liitoksessa.

		① 704309	PCS	② 704310	PCS
		1	1	LEFT	1
		③ 704311	PCS	④ 902124	PCS
		1	12	RIGHT	150x50x50
		⑤ 902232	PCS	⑥ 902233	PCS
		6	6	M10x55	M10x30
		⑦ 904068	PCS	⑧ 904697	PCS
		2	1	M8x40	Ø60.3x2.9x710
		⑨ 904760	PCS	⑩ 904761	PCS
		1	1	LEFT	RIGHT
⑪ 905083	PCS	⑫ 905112	PCS		
20	20	Ø32	Ø22		
⑬ 909256	PCS	⑭ 909519	PCS		
20	2	Ø16/8.4x1.6	50x380x380		
⑮ 909637	PCS	⑯ 909638	PCS		
8	16	M10	Ø20/10.5		
⑰ 909639	PCS	⑱ 909852	PCS		
8	8	M10x25	M8x30		
⑲ 909855	PCS	⑳ 980160	PCS		
10	20	M8x35	M8		
㉑ 980161	PCS		PCS		
12		M10			



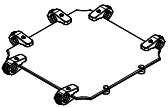
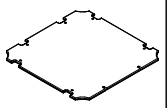
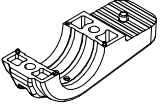
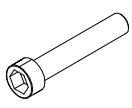
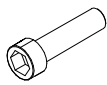
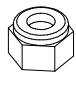
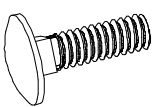
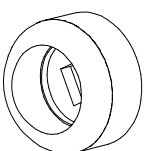
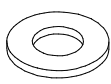

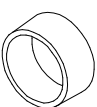
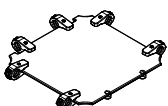
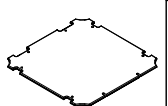
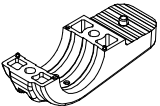
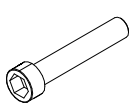
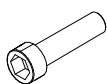
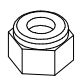
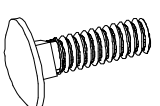
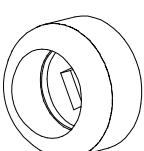
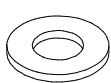
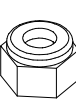
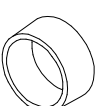
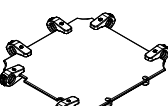
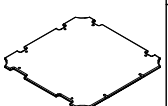
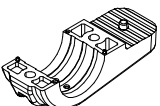
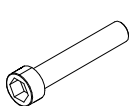
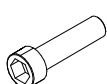
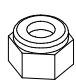
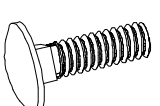
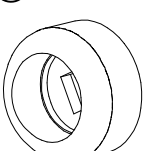
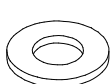
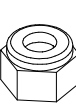
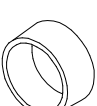


WINAM GROUP FLOOR (SLIDE)

CLOXX

DATE: 3.10.2013



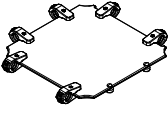
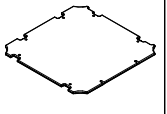
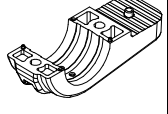
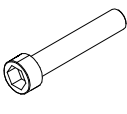
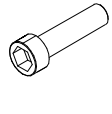

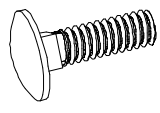
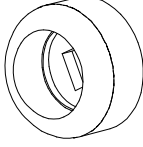
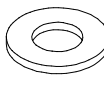
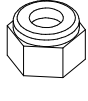
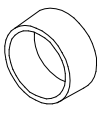
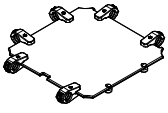
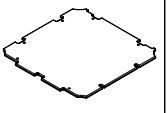
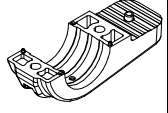
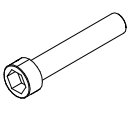
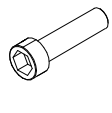
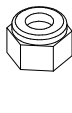
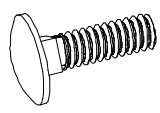
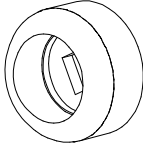
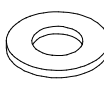
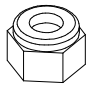
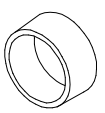
○ 704432 	○ 704038 	PCS 1	○ 902124  150x50x50	PCS 12	○ 902232  M10x55	PCS 6	○ 902233  M10x30	PCS 6	○ 980161  M10	PCS 12		PCS
		PCS	○ 909109  M12x40	PCS 2	○ 905090  Ø45	PCS 2	○ 980154  Ø24/13	PCS 2	○ 909248  M12	PCS 2	○ 905115  Ø32	PCS 2
		PCS		PCS		PCS		PCS		PCS		PCS
○ 704447 	○ 704446 	PCS 1	○ 902124  150x50x50	PCS 12	○ 902232  M10x55	PCS 6	○ 902233  M10x30	PCS 6	○ 980161  M10	PCS 12		PCS
		PCS	○ 909109  M12x40	PCS 2	○ 905090  Ø45	PCS 2	○ 980154  Ø24/13	PCS 2	○ 909248  M12	PCS 2	○ 905115  Ø32	PCS 2
		PCS		PCS		PCS		PCS		PCS		PCS
○ 704666 	○ 704667 	PCS 1	○ 902124  150x50x50	PCS 12	○ 902232  M10x55	PCS 6	○ 902233  M10x30	PCS 6	○ 980161  M10	PCS 12		PCS
		PCS	○ 909109  M12x40	PCS 2	○ 905090  Ø45	PCS 2	○ 980154  Ø24/13	PCS 2	○ 909248  M12	PCS 2	○ 905115  Ø32	PCS 2
		PCS		PCS		PCS		PCS		PCS		PCS

WINAM GROUP FLOOR (SLIDE)

CLOXX

DATE: 3.10.2013



○ 704684 	○ 704685 	PCS 1	○ 902124  150x50x50	PCS 12	○ 902232  M10x55	PCS 6	○ 902233  M10x30	PCS 6	○ 980161  M10	PCS 12		PCS
		PCS	○ 909109  M12x40	PCS 2	○ 905090  Ø45	PCS 2	○ 980154  Ø24/13	PCS 2	○ 909248  M12	PCS 2	○ 905115  Ø32	PCS 2
		PCS		PCS		PCS		PCS		PCS		PCS
○ 704692 	○ 704693 	PCS 1	○ 902124  150x50x50	PCS 12	○ 902232  M10x55	PCS 6	○ 902233  M10x30	PCS 6	○ 980161  M10	PCS 12		PCS
		PCS	○ 909109  M12x40	PCS 2	○ 905090  Ø45	PCS 2	○ 980154  Ø24/13	PCS 2	○ 909248  M12	PCS 2	○ 905115  Ø32	PCS 2
		PCS		PCS		PCS		PCS		PCS		PCS
		PCS		PCS		PCS		PCS		PCS		PCS
		PCS		PCS		PCS		PCS		PCS		PCS

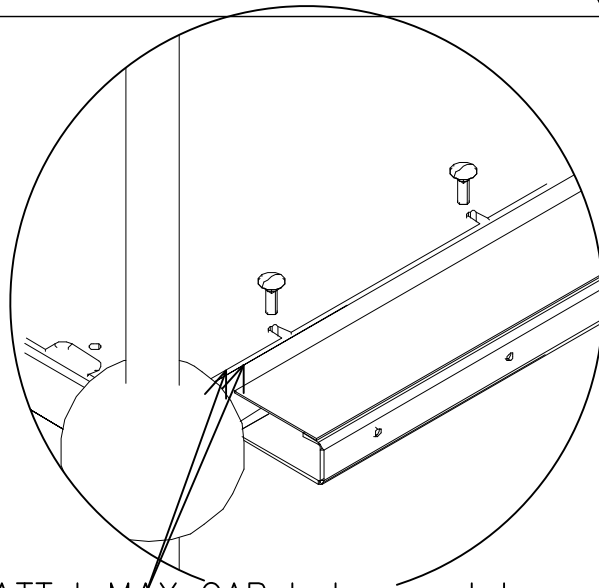
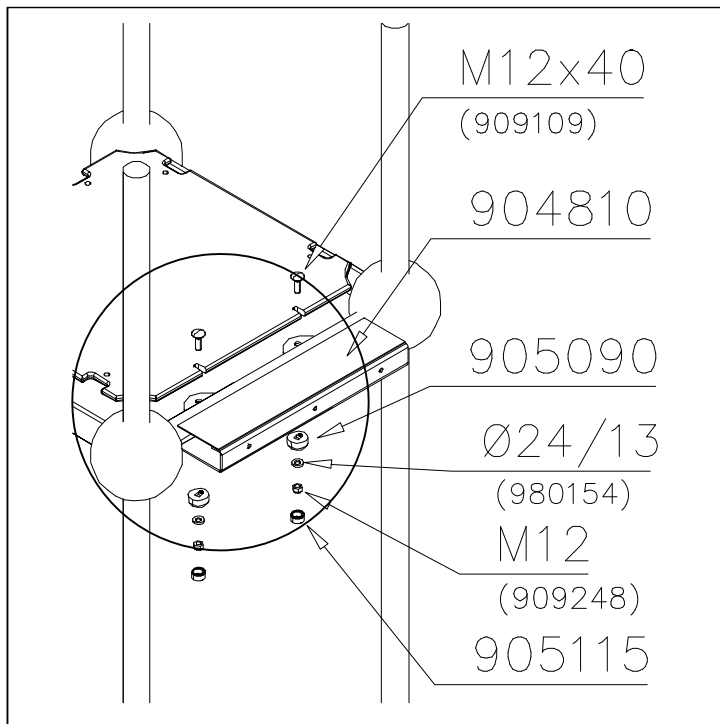
WINAM GROUP FLOOR (SLIDE)

CLOXX

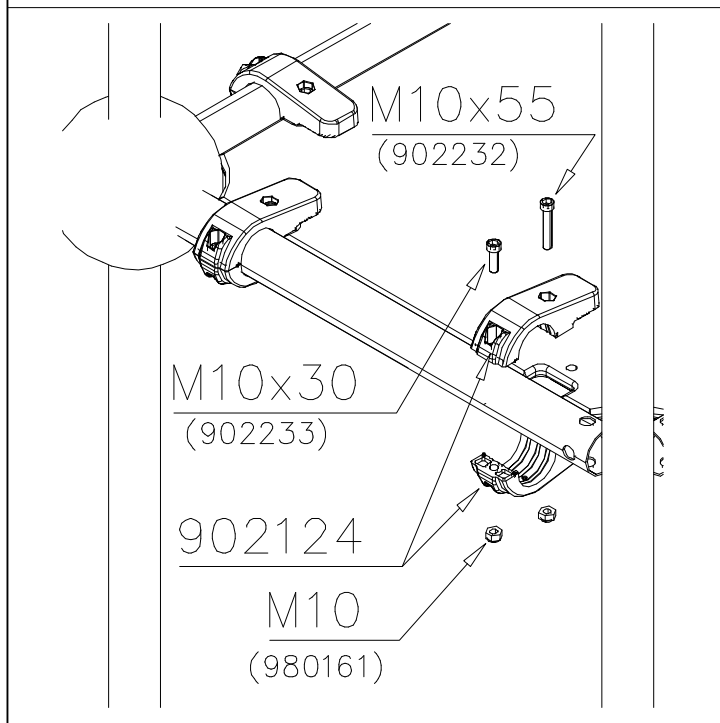


PLAY 3(3)

DATE: 3.10.2013

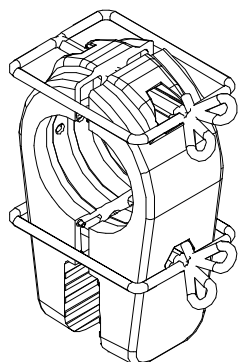
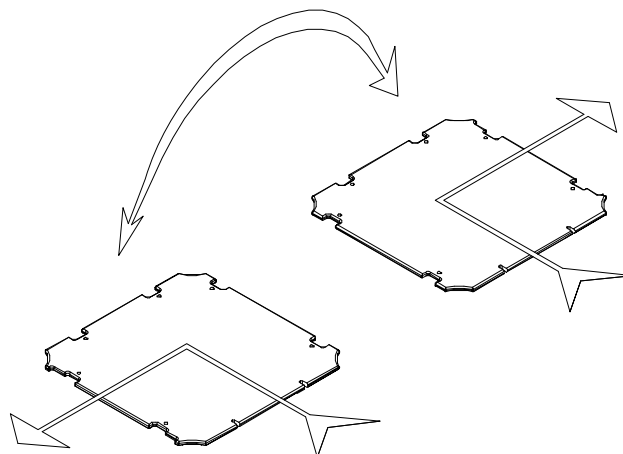


ATT ! MAX GAP between plate and tube is 6mm
HUOM ! MAKSIMI VÄLI lattialevyllä ja putkella on 6mm



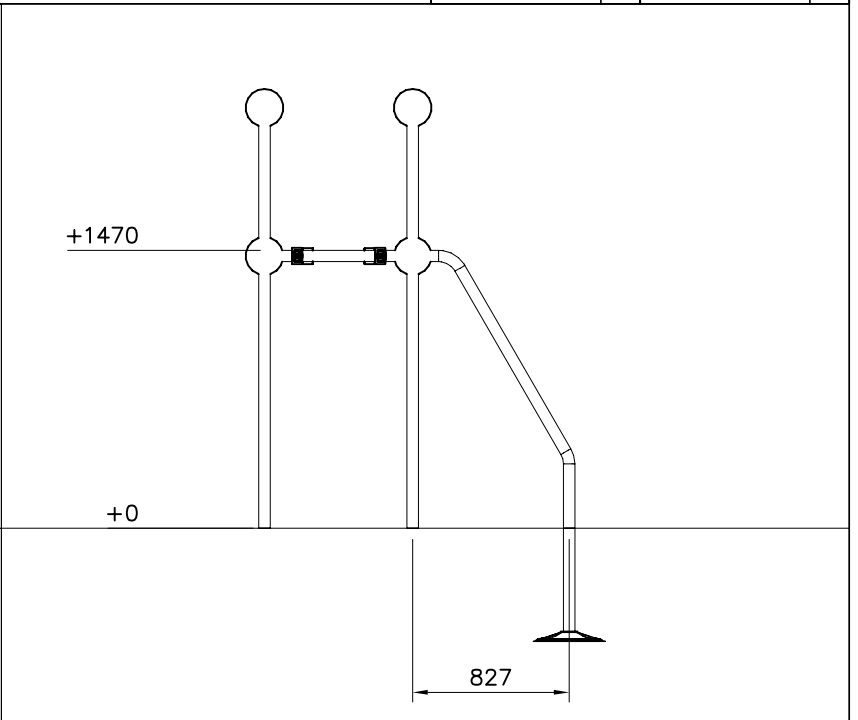
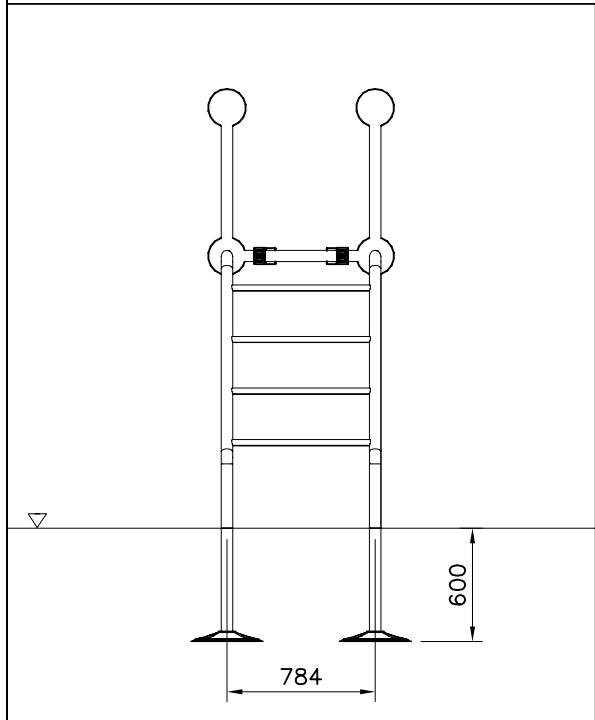
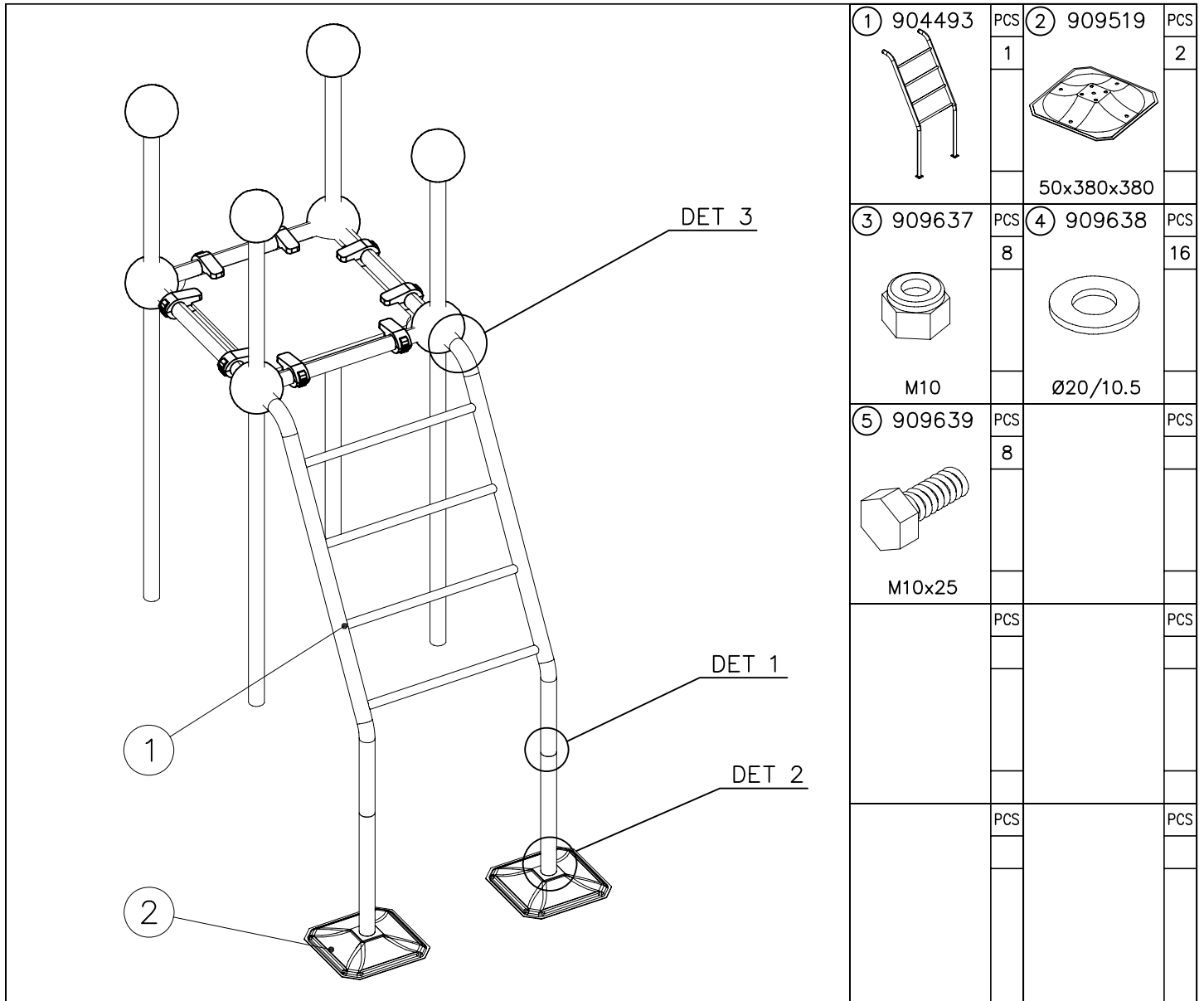
KÄYTÄ TARVITTAESSA SAMAA LEVYÄ VASEMALLE TAI OIKEALLE.

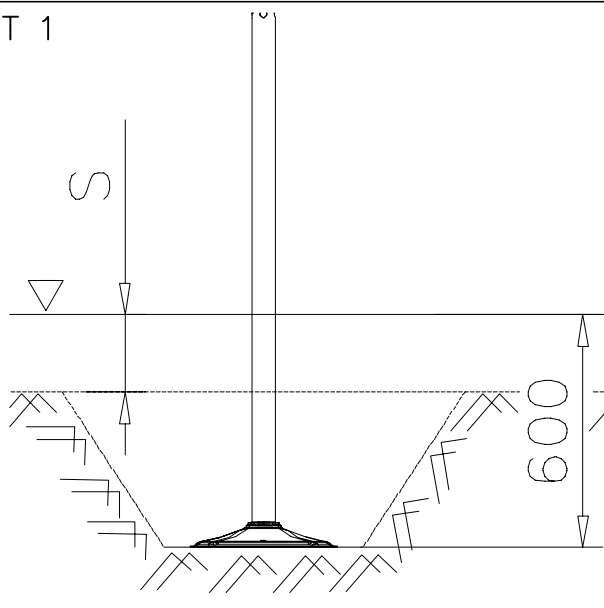
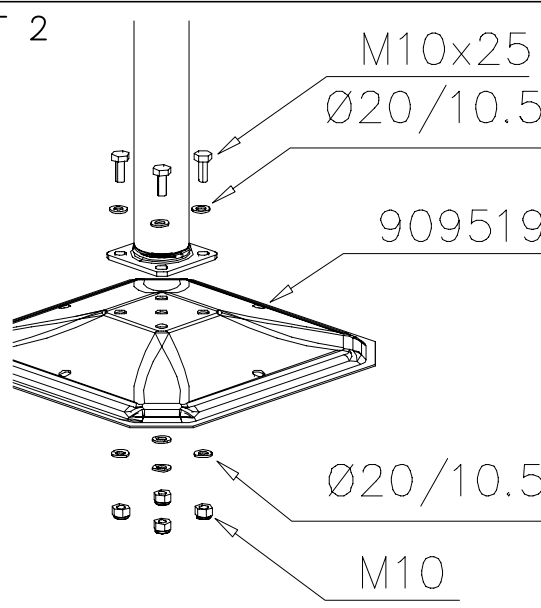
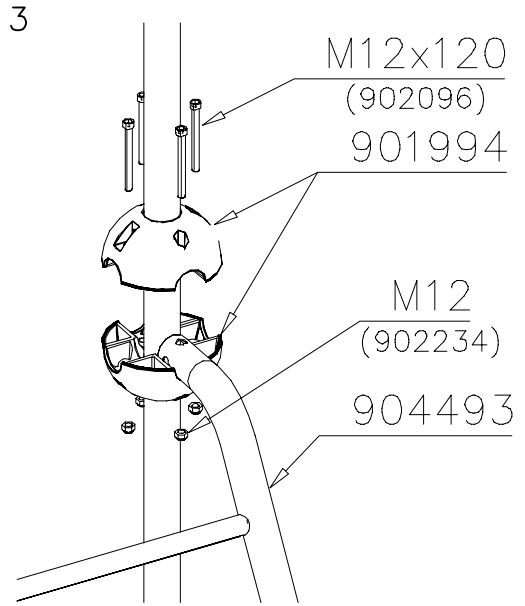
IF NECESSARY USE SAME PLATE LEFT OR RIGHT.

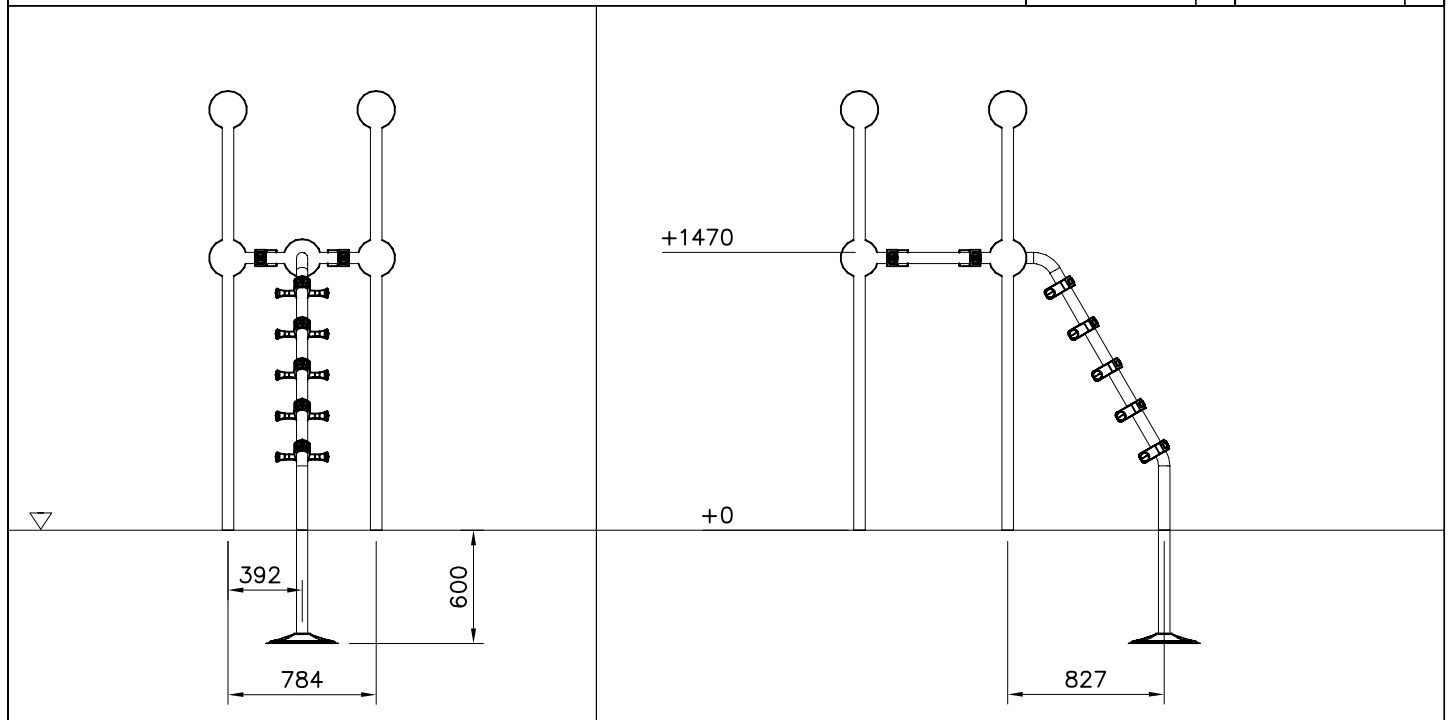
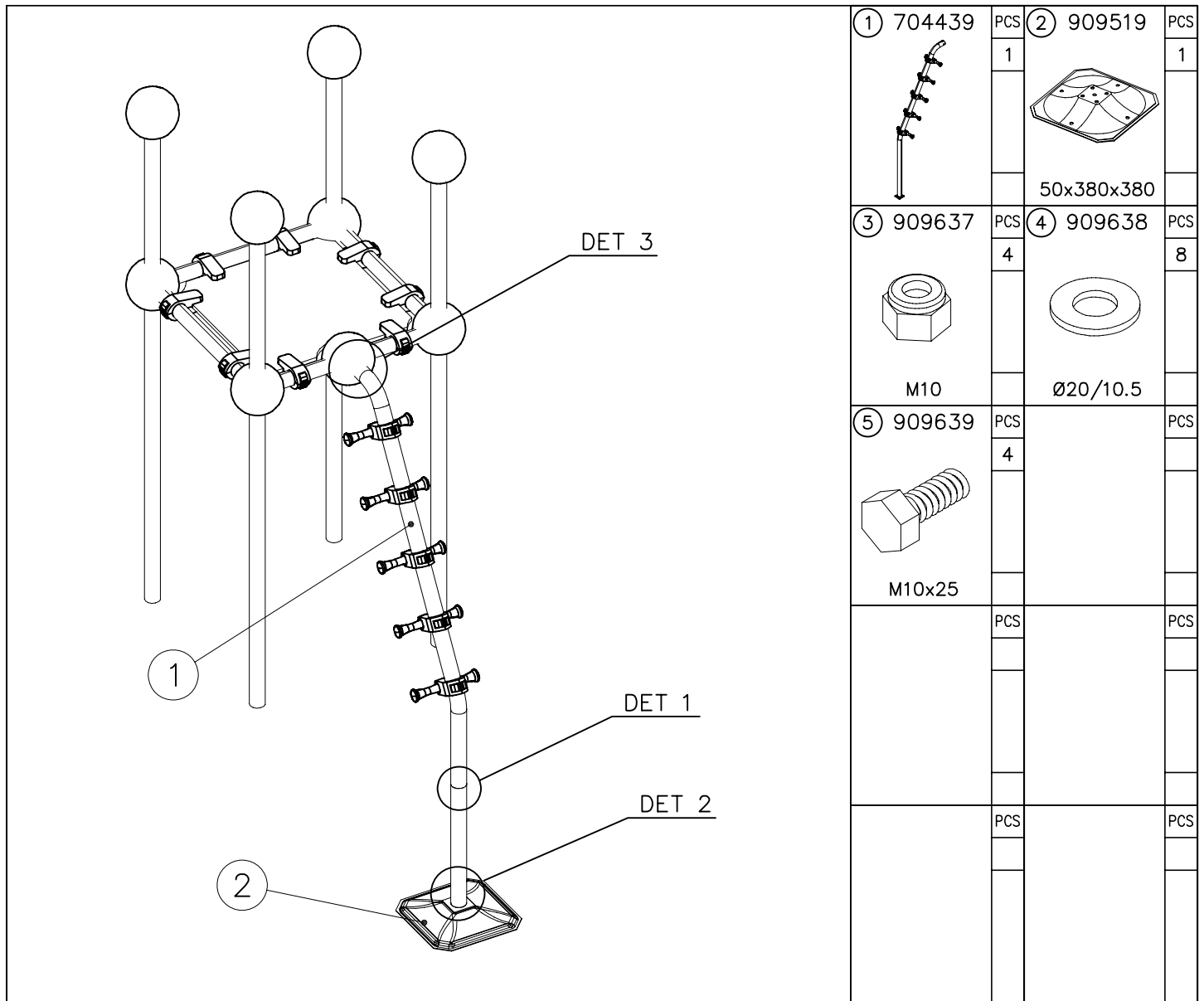


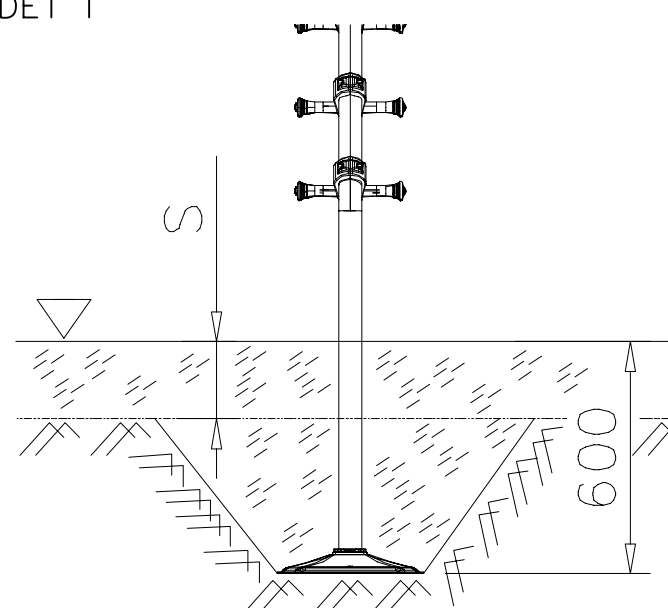
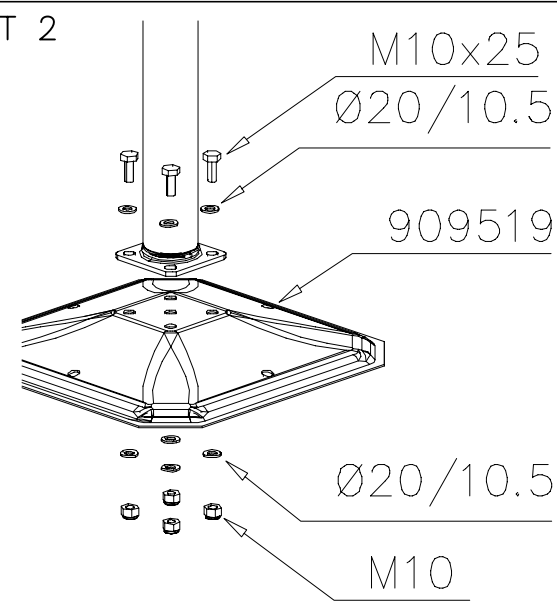
NOTE:
Use a wire marked pairs of the same junction.

Huom!
Käytä langalla merkittyä paria samassa liitoksessa.



<p>DET 1</p>  <p>600</p>	<p>DET 2</p>  <p>M10x25 Ø20/10.5 909519 Ø20/10.5 M10</p>
<p>DET 3</p>  <p>M12x120 (902096) 901994 M12 (902234) 904493</p>	



<p>DET 1</p> 	<p>DET 2</p> 
<p>DET 3</p> 