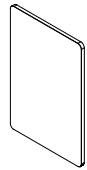



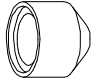
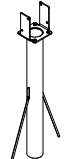
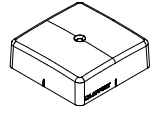
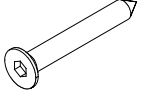

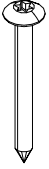

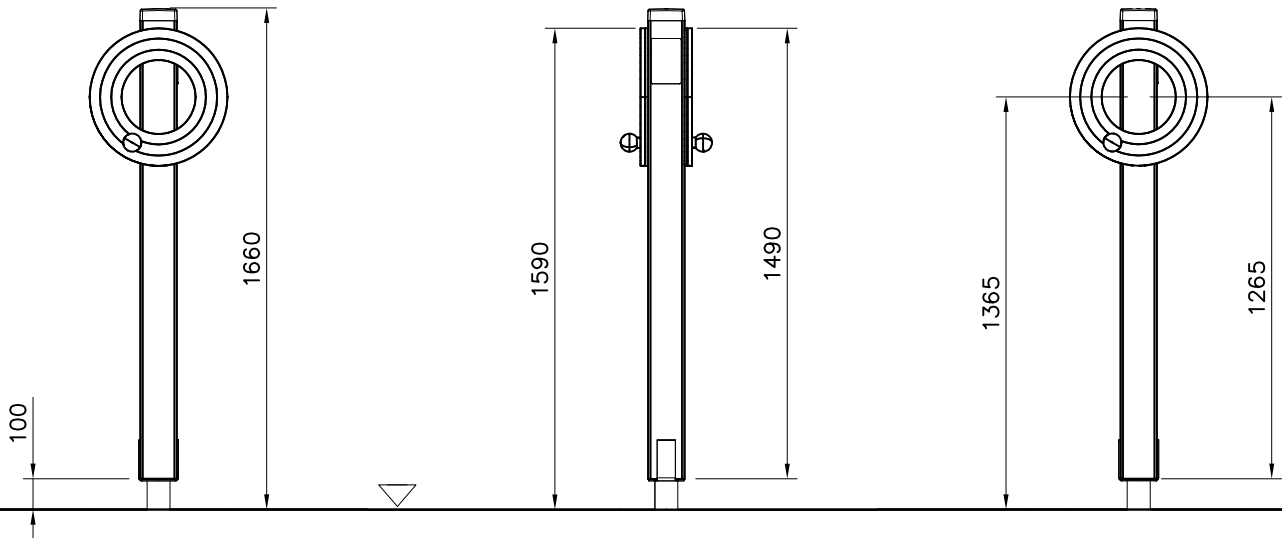
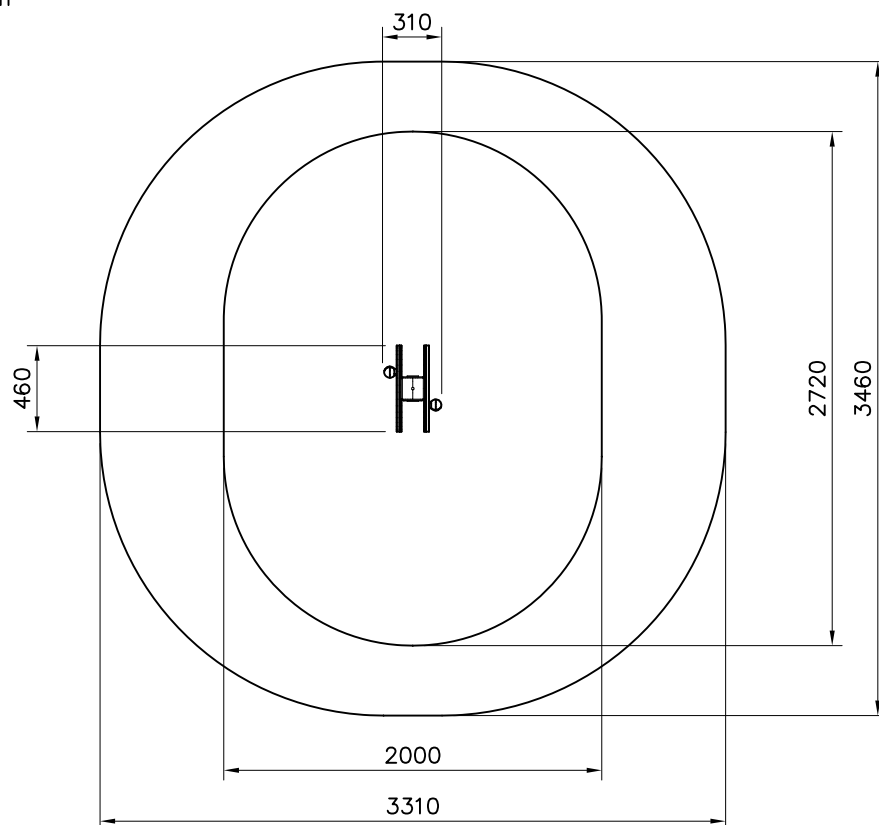
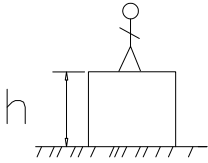



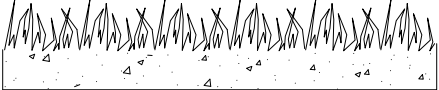
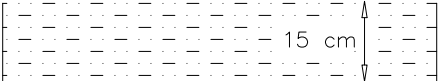
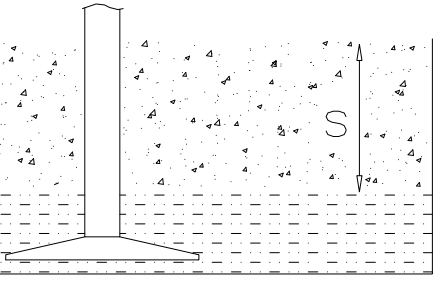
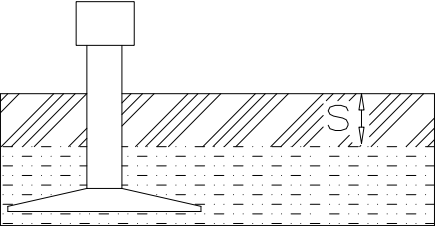


① 706054	PCS	② 705345	PCS
	1		1
		120x120x1520	
③ 705513	PCS	④ 980114	PCS
	2		4
		Ø4x20	
⑤ 905104	PCS	⑥ 905761	PCS
	4		1
M10		120x120x700	
⑦ 905830	PCS	⑧ 906630	PCS
	1		4
123x123x40		Ø8x60	
⑨ 980104	PCS	⑩ 980123	PCS
	1		4
Ø5x90		Ø7x60	
⑪ 909256	PCS		PCS
	4		
Ø16/8.4			
	PCS		PCS
	PCS		PCS

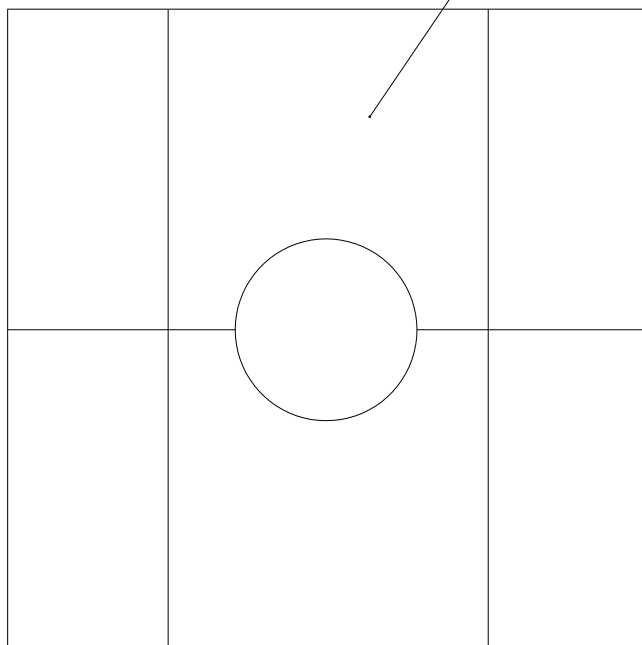


Area of Movement 9.5 m²
Training Space 4.6 m²
Max Falling Height 0 mm

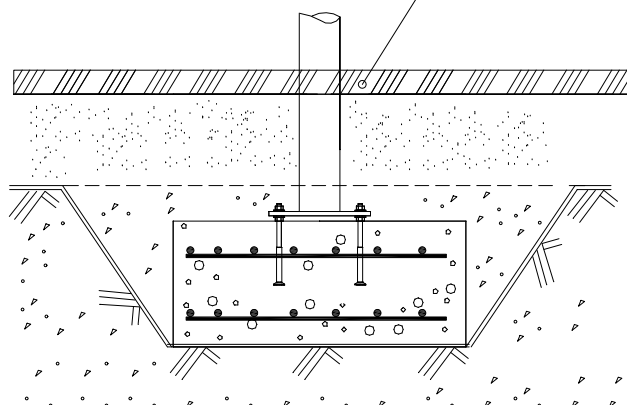


												
<p>$h < 600$</p> <p>Without movement and therefore without Impact Area</p>	<p>Totally hard surfaces.</p> <p>Note. Lappset does <u>not recommend</u> totally hard surfaces at all.</p>	<p>E.g. concrete or asphalt</p> 										
<p>$h < 600$</p> <p>With movement e.g. rocking</p>	<p>Materials with very limited impact attenuating properties.</p>	<p>E.g. wood</p> 										
<p>$h < 1000$</p>	<p>Materials with significant impact attenuating properties.</p>	<p>fine gravel 0–8 mm</p>  <p>grass</p>  <p>unsorted sand</p> 										
<p>$h < 3000$</p>	<p>Loose fill material</p> <p>E.g. sand/gravel 0,25...8 mm D60/D10<3,0 Woodchips 5...30 mm bark 20...80 mm</p>	 <table data-bbox="1024 1688 1331 1787"> <tr> <td>\underline{S}</td> <td>\underline{h}</td> </tr> <tr> <td>30 cm</td> <td>< 2,0 m</td> </tr> <tr> <td>40 cm</td> <td>< 3,0 m</td> </tr> </table>	\underline{S}	\underline{h}	30 cm	< 2,0 m	40 cm	< 3,0 m				
\underline{S}	\underline{h}											
30 cm	< 2,0 m											
40 cm	< 3,0 m											
	<p>Syntethic granulates</p> <table data-bbox="405 1899 756 2056"> <tr> <td>\underline{S}</td> <td>\underline{h}</td> </tr> <tr> <td>40 mm</td> <td>~> 1,2...1,3 m</td> </tr> <tr> <td>50 mm</td> <td>~> 1,5...1,7 m</td> </tr> <tr> <td>60 mm</td> <td>~> 1,8...2,0 m</td> </tr> <tr> <td>70 mm</td> <td>~> 2,1...2,5 m</td> </tr> </table> <p>Note. For accurate values, see manufacturer's instructions.</p>	\underline{S}	\underline{h}	40 mm	~> 1,2...1,3 m	50 mm	~> 1,5...1,7 m	60 mm	~> 1,8...2,0 m	70 mm	~> 2,1...2,5 m	
\underline{S}	\underline{h}											
40 mm	~> 1,2...1,3 m											
50 mm	~> 1,5...1,7 m											
60 mm	~> 1,8...2,0 m											
70 mm	~> 2,1...2,5 m											

REMOVE SAFETY SURFACE/SAND/GRAVEL
TO CHECK FOUNDATION

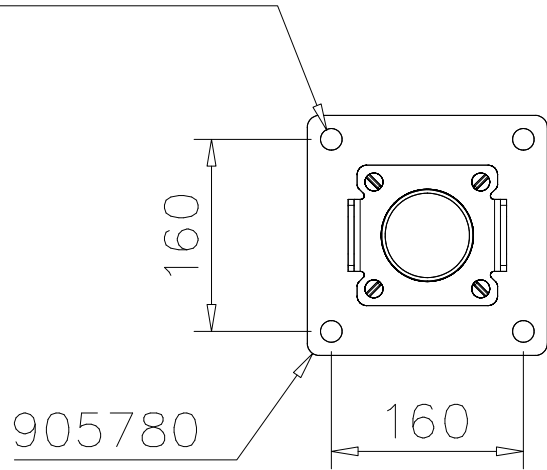


REMOVE SAFETY SURFACE/SAND/GRAVEL
TO CHECK FOUNDATION

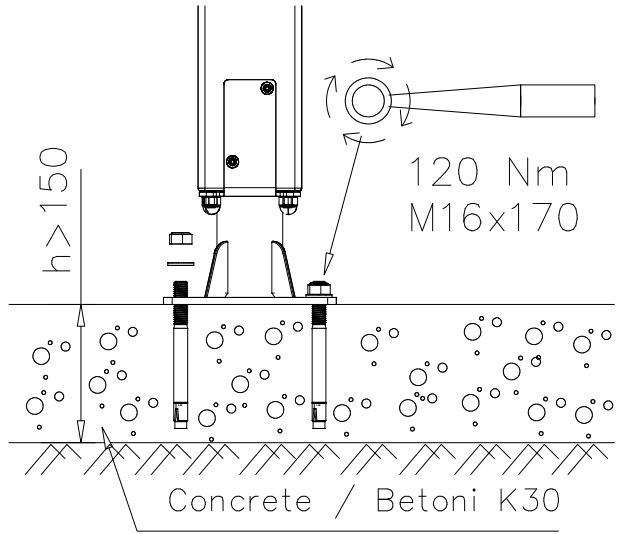


DET 1

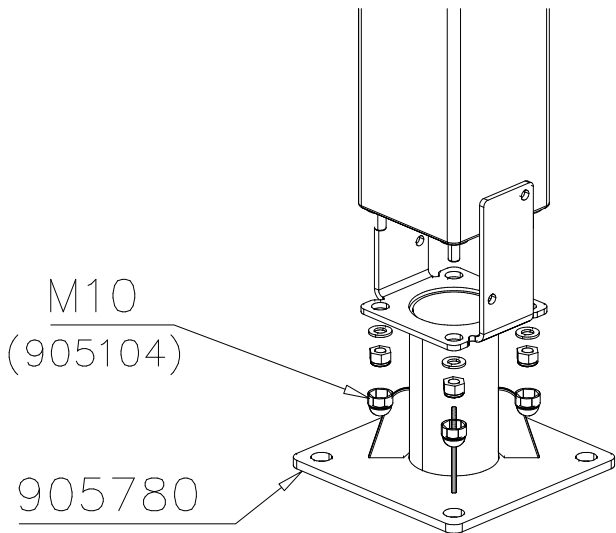
$\varnothing 16 \downarrow > 130$



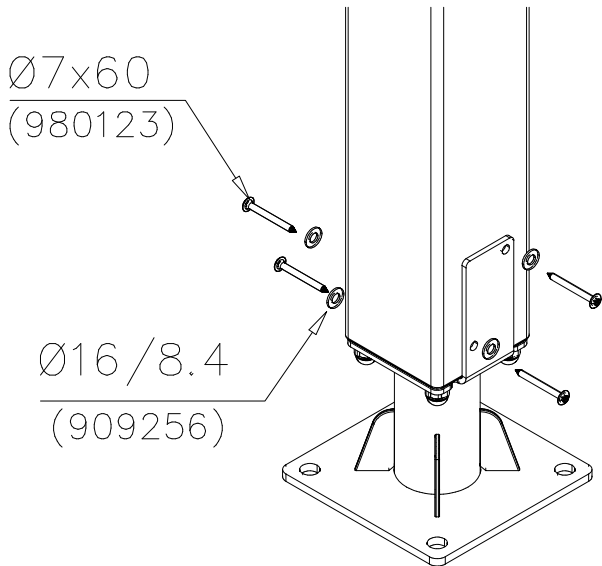
DET 2



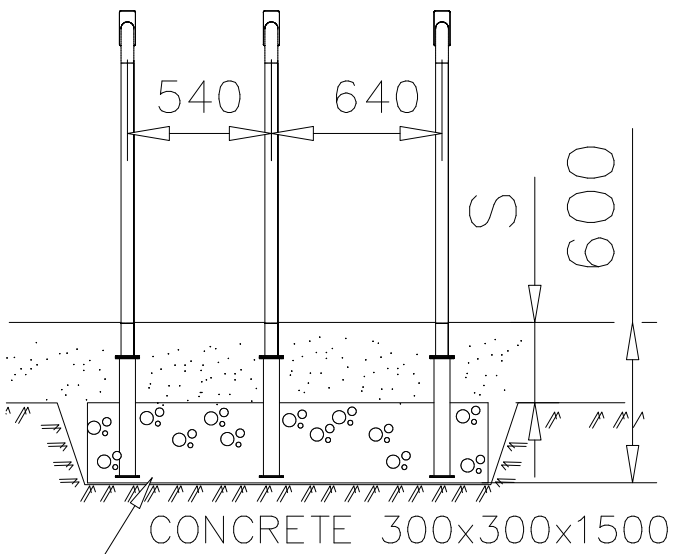
DET 3



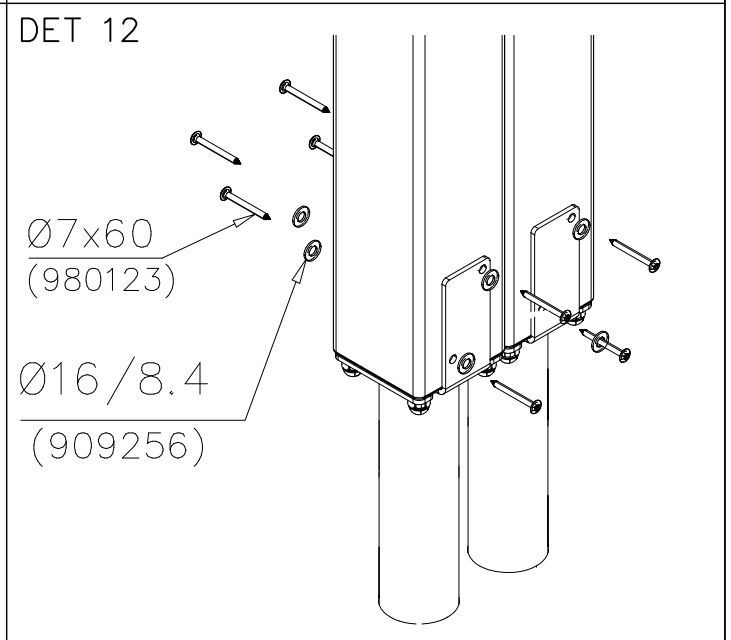
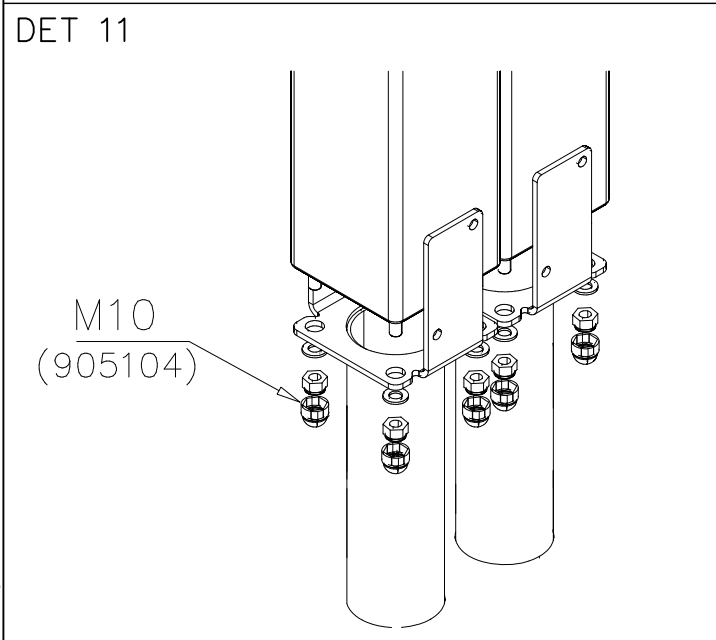
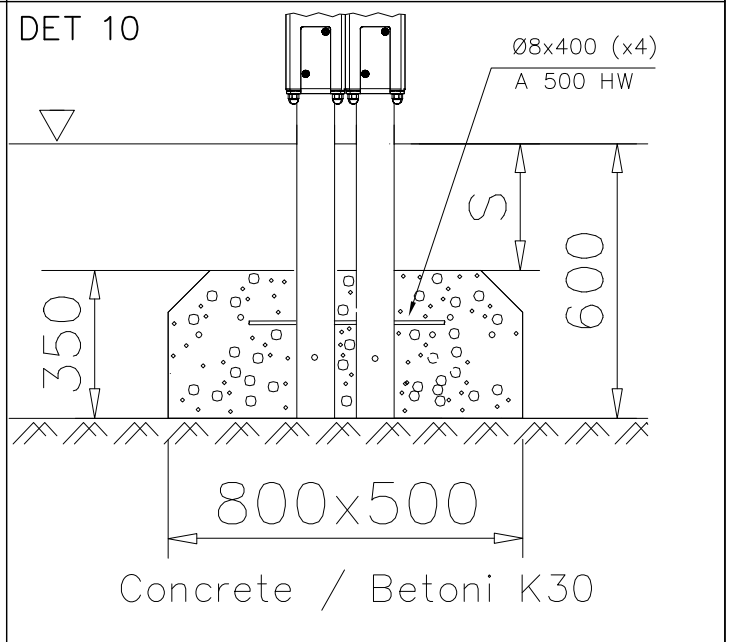
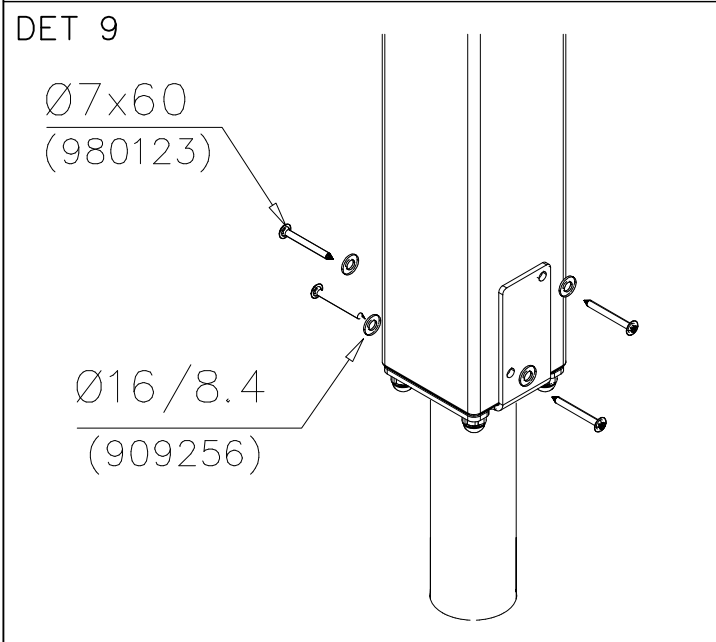
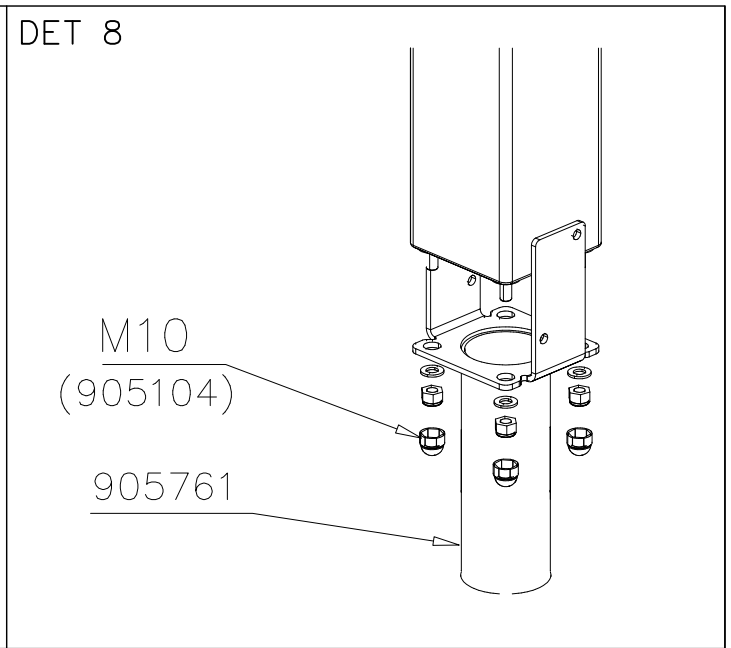
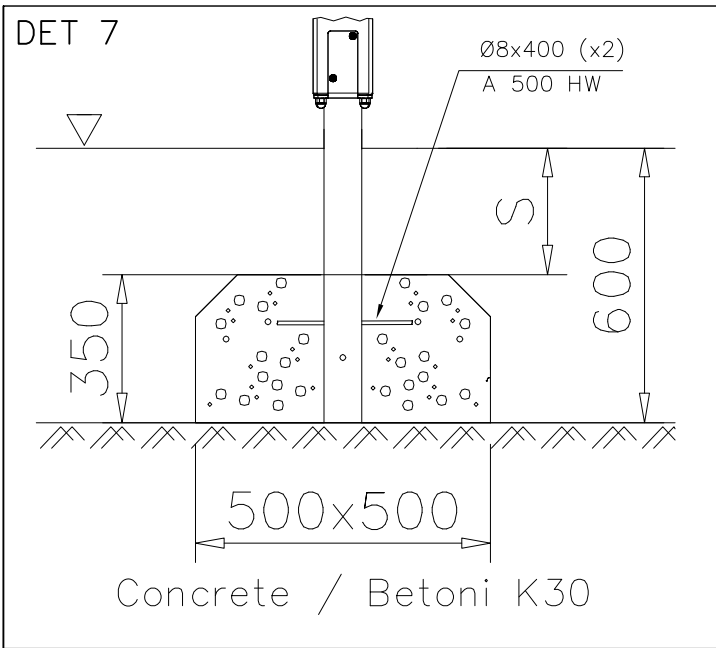
DET 4



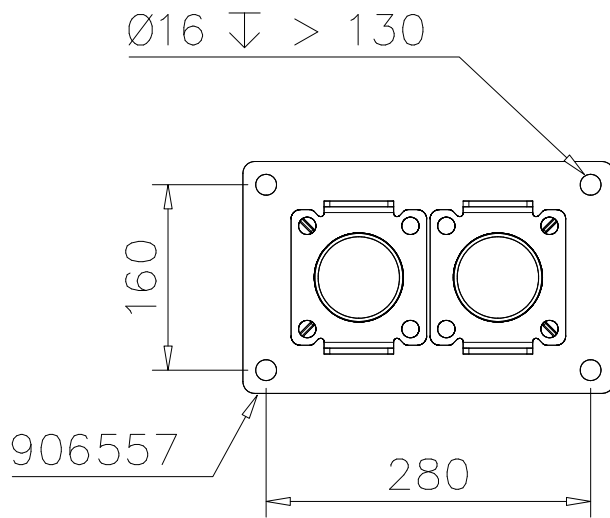
DET 5



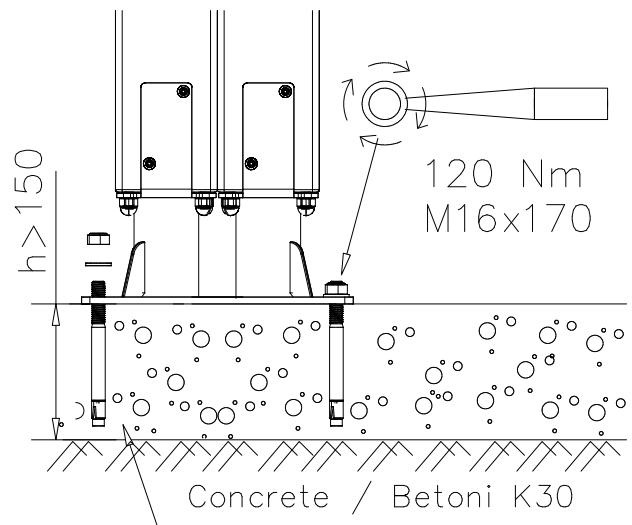
DET 6



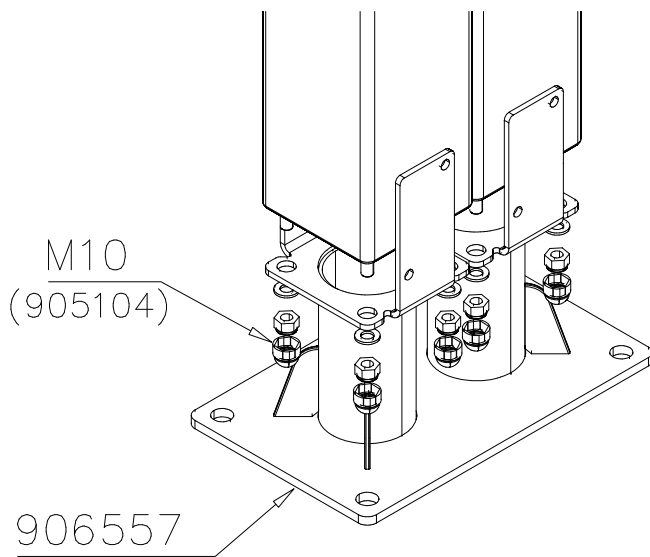
DET 13



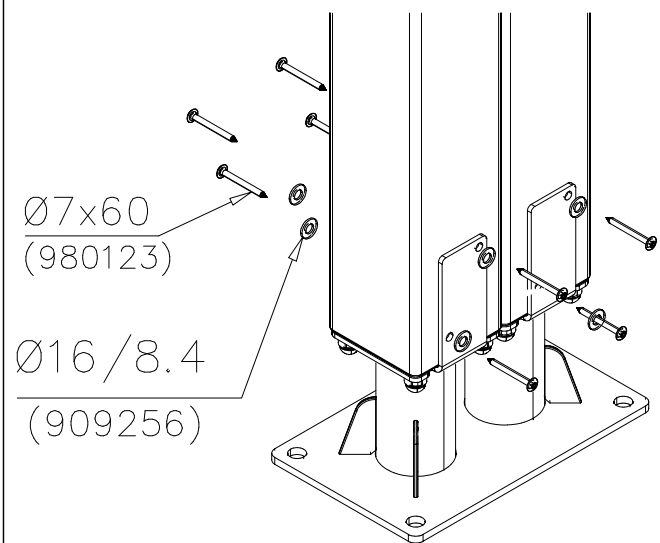
DET 14



DET 15



DET 16



DET 17

DET 18

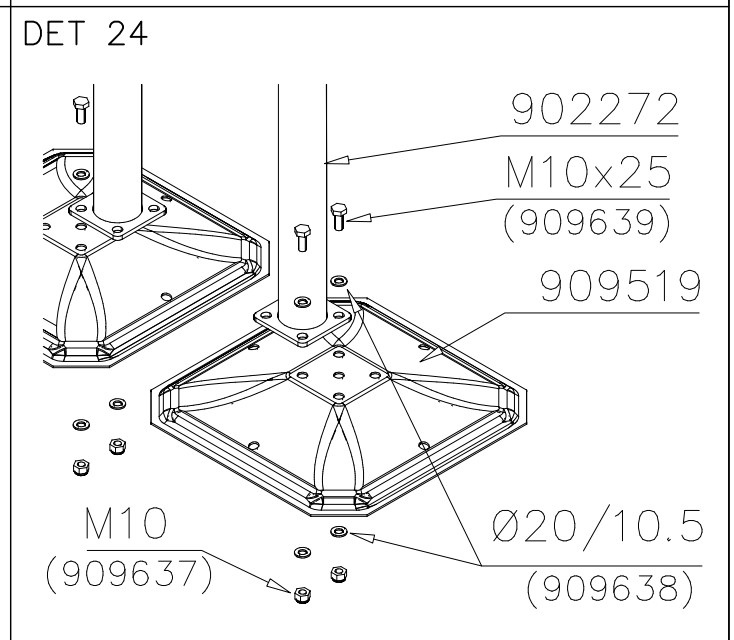
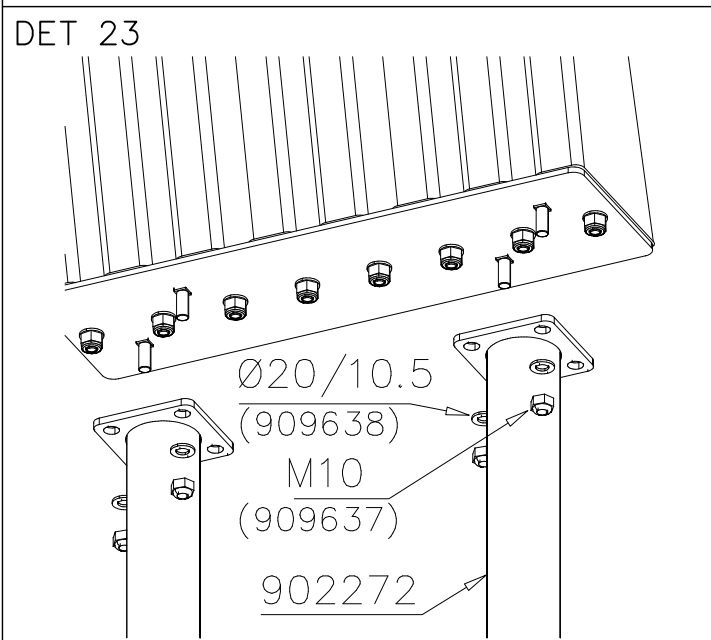
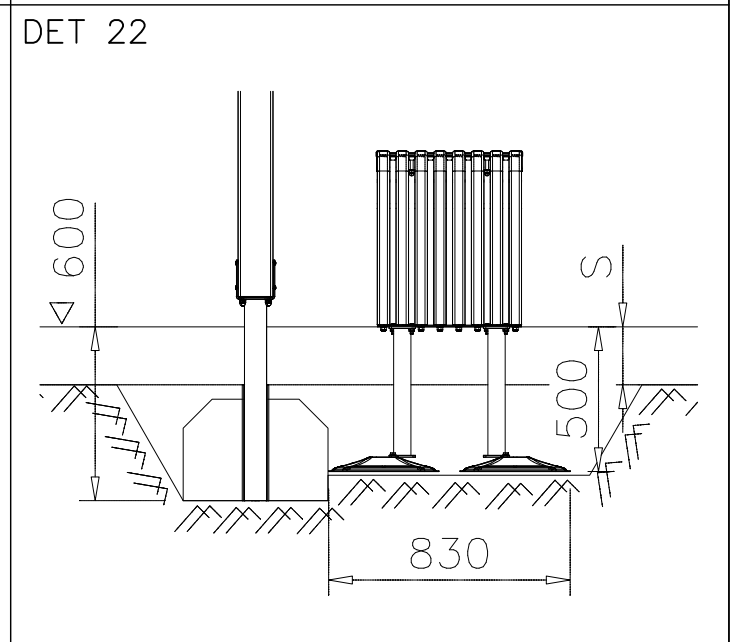
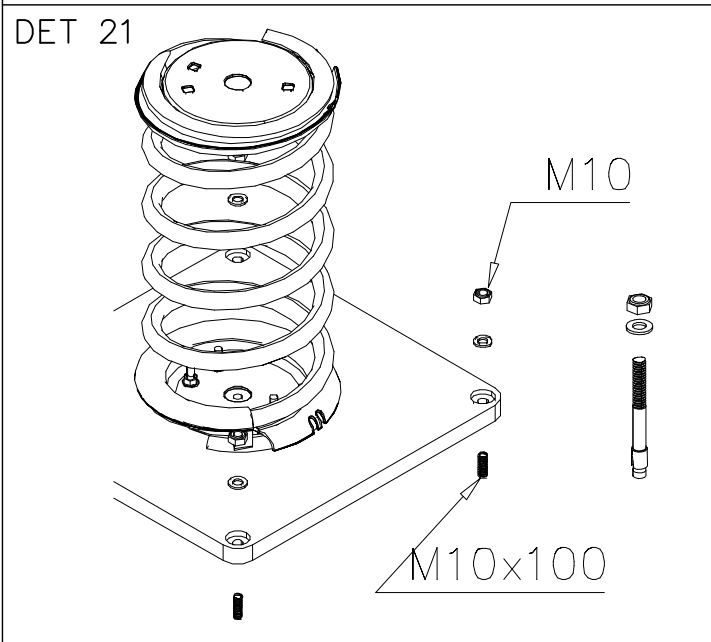
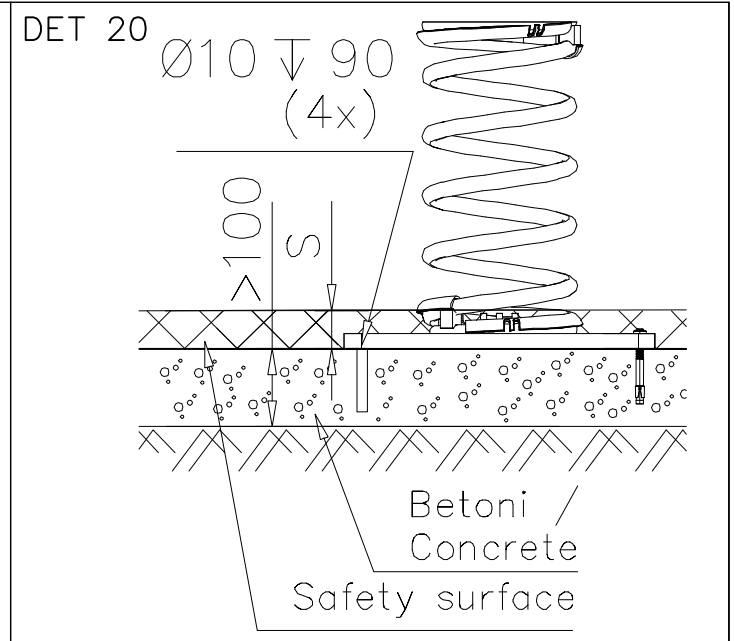
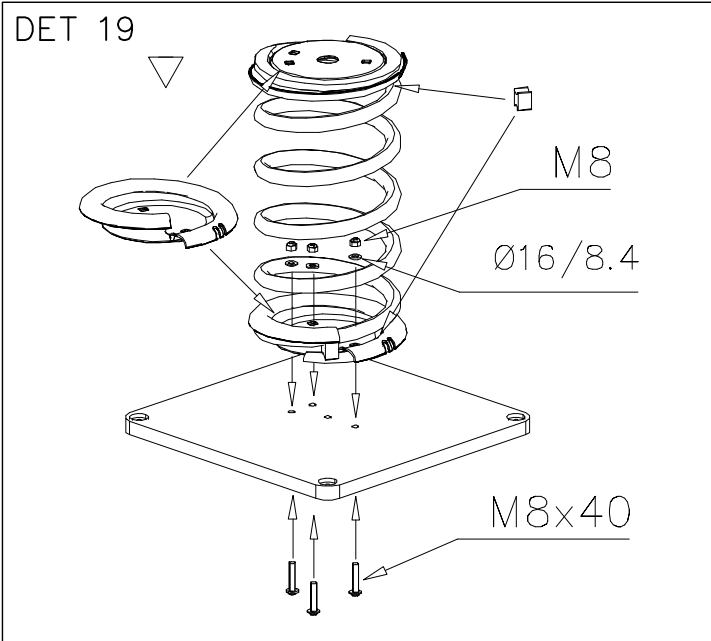
WINAM GROUP SPORT

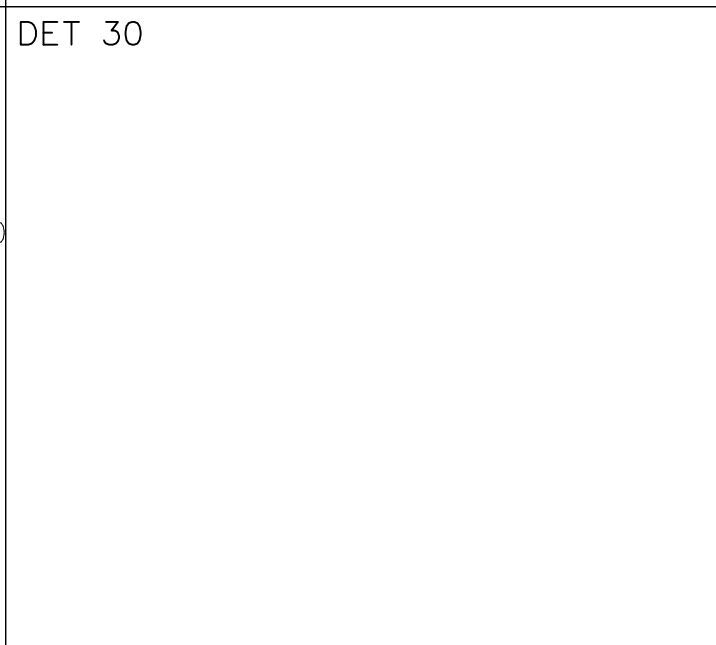
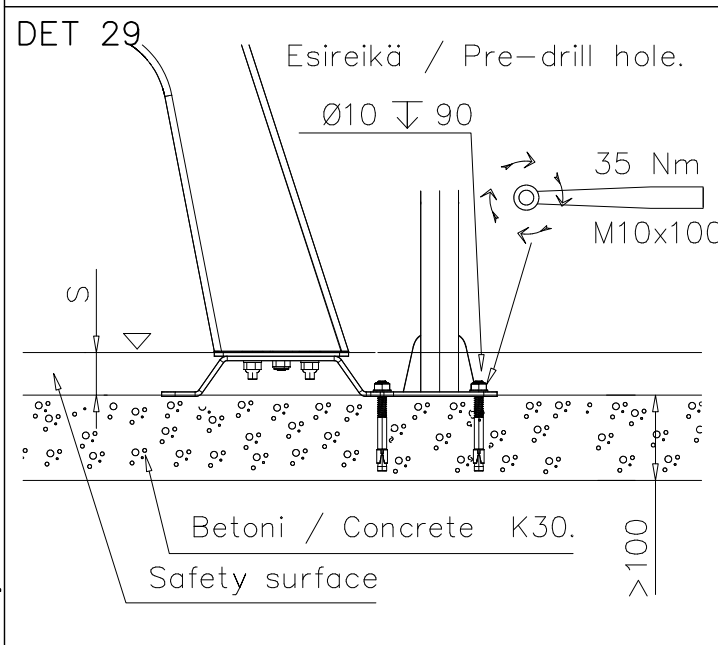
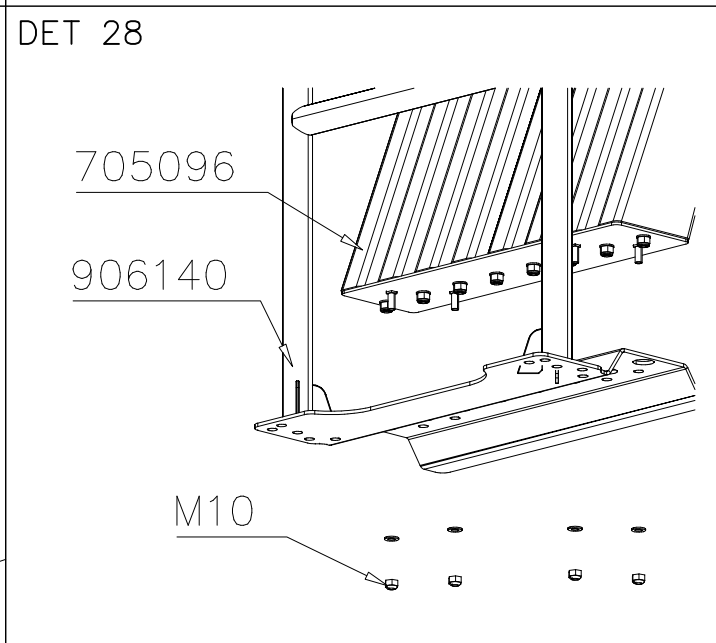
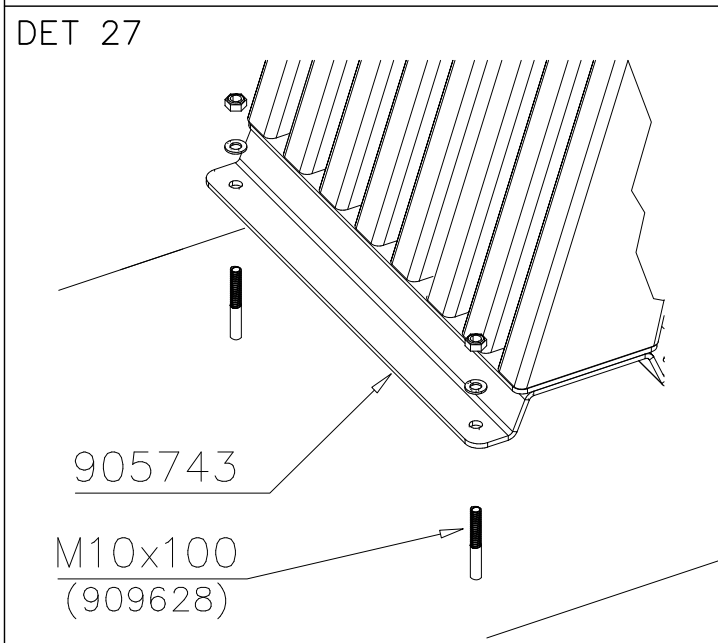
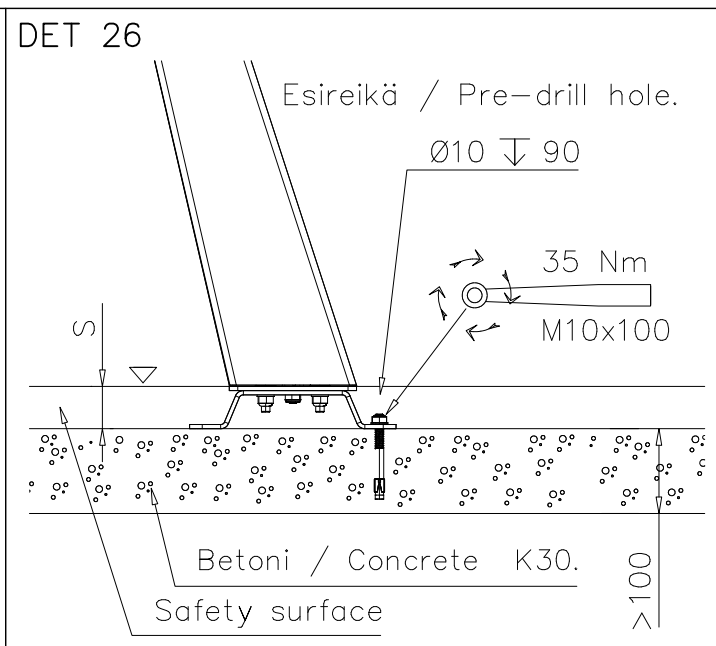
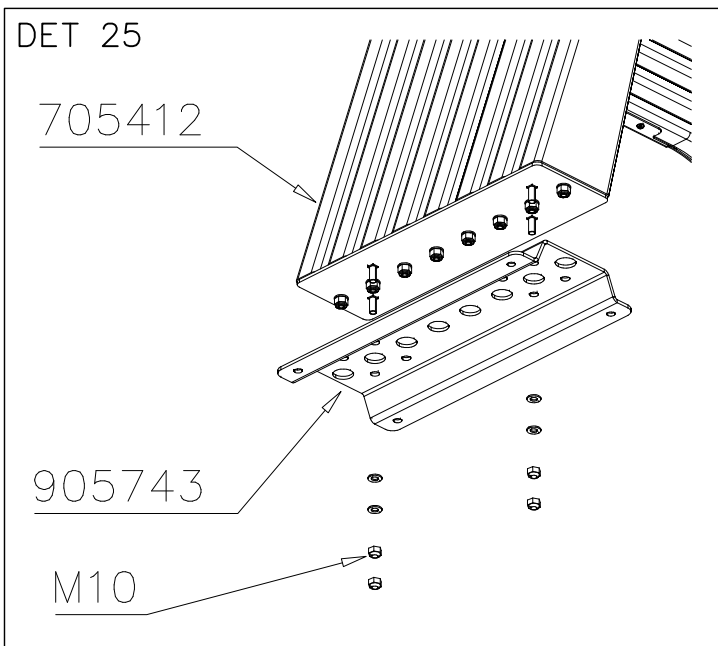
BASE

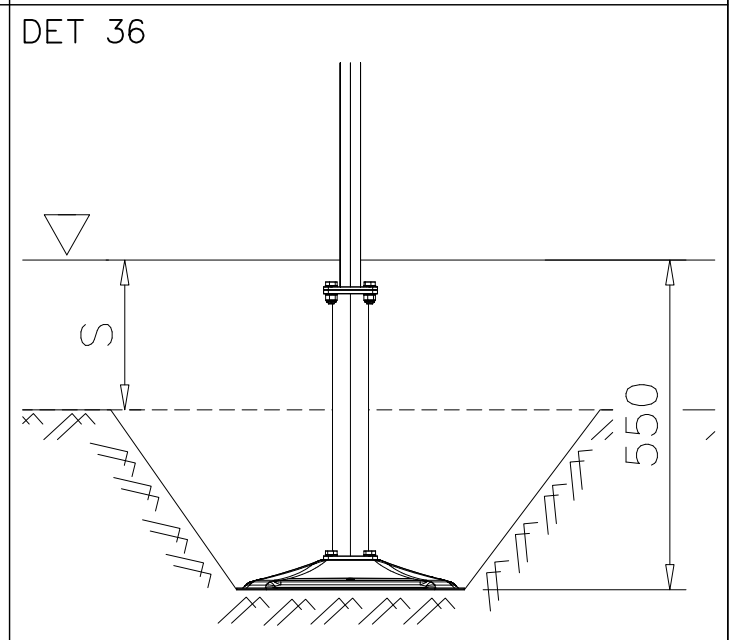
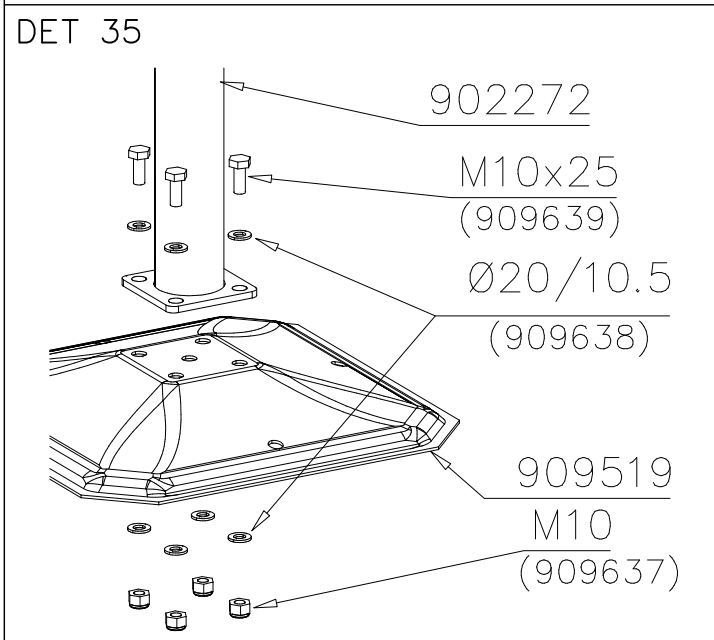
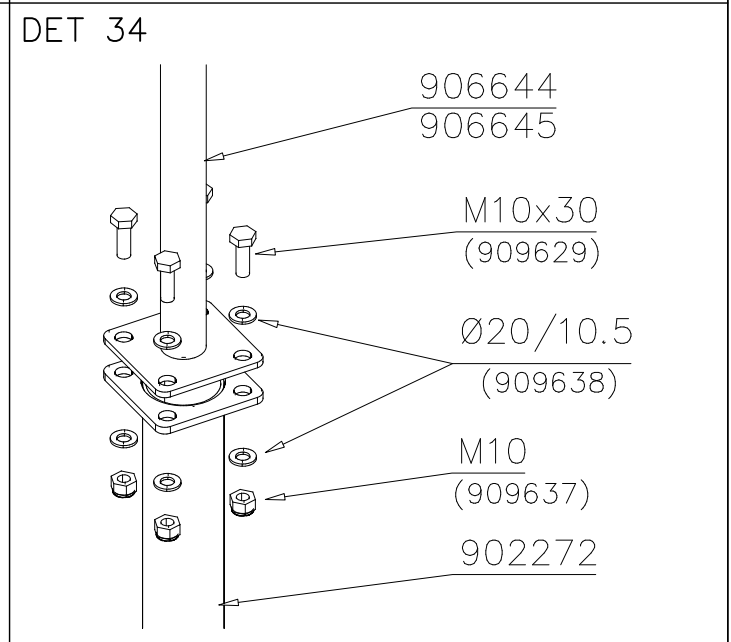
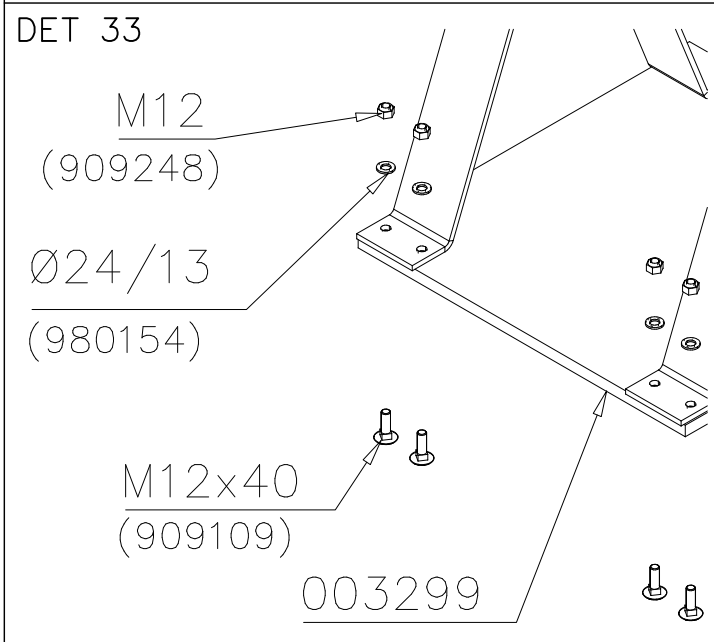
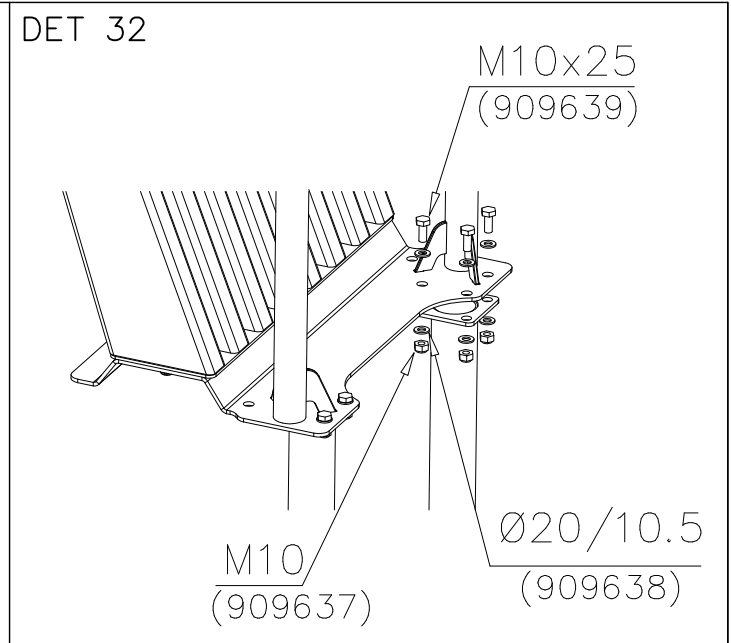
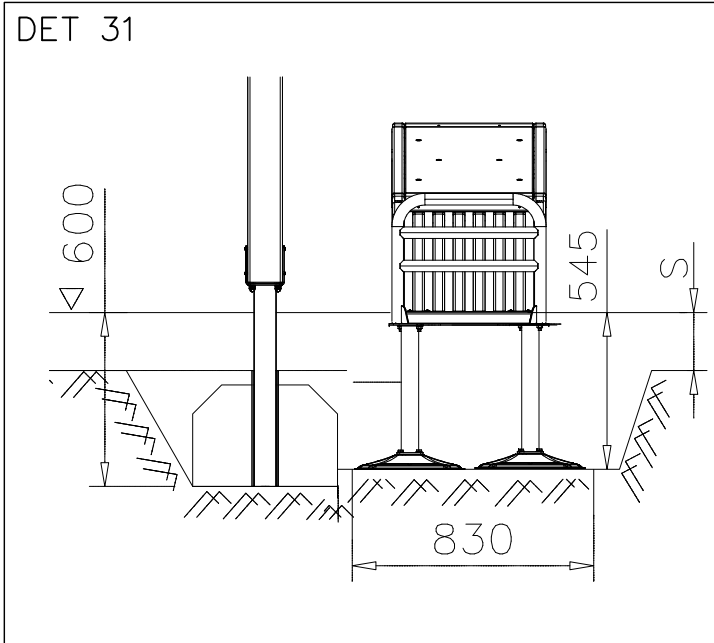


PLAY 4(10)

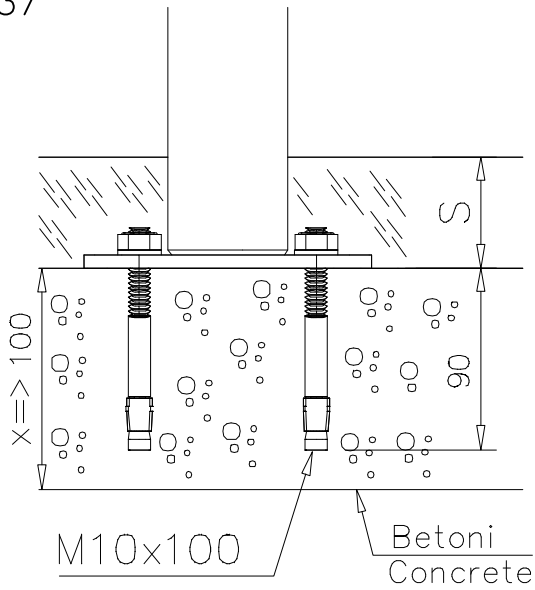
DATE: 29.4.2015



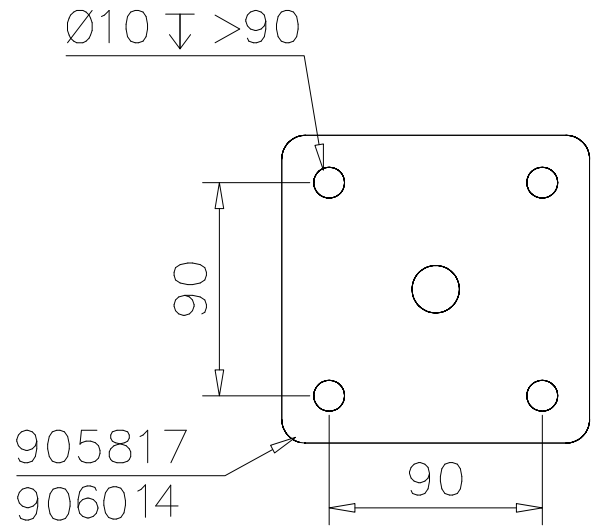




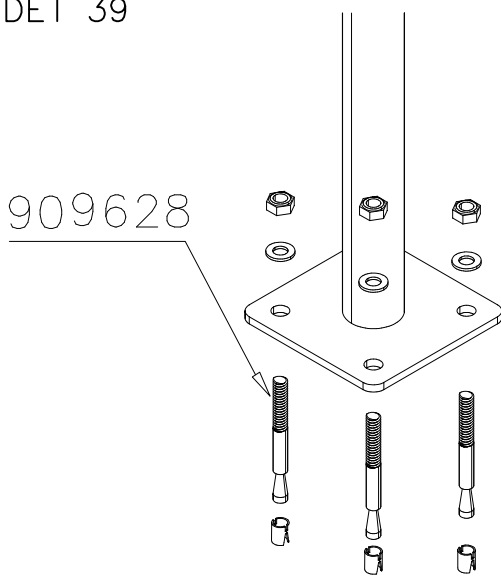
DET 37



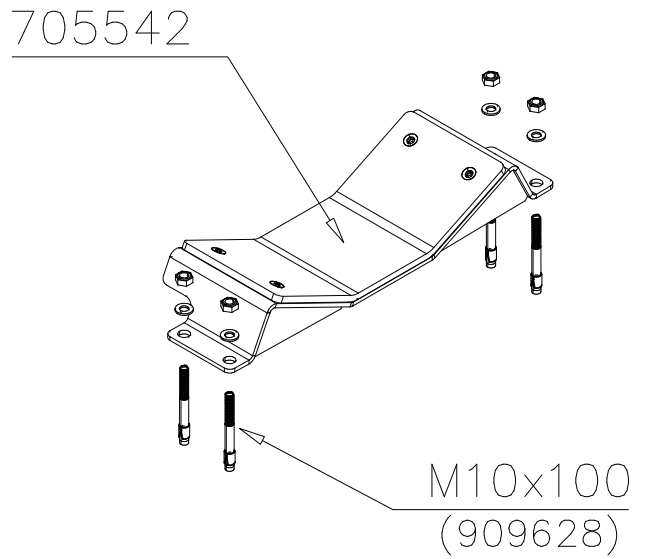
DET 38



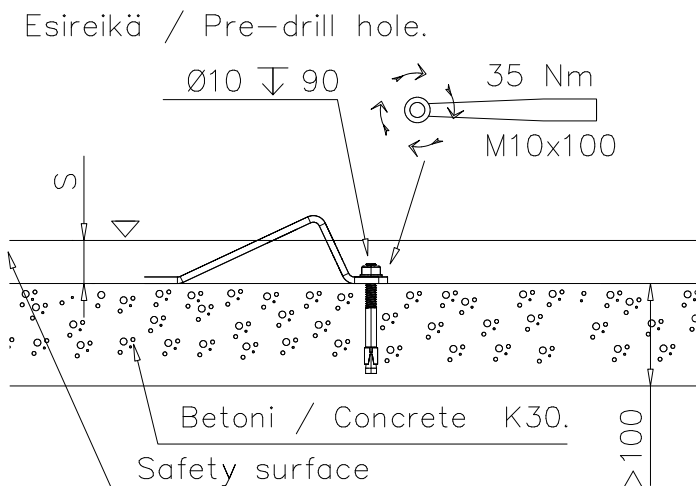
DET 39



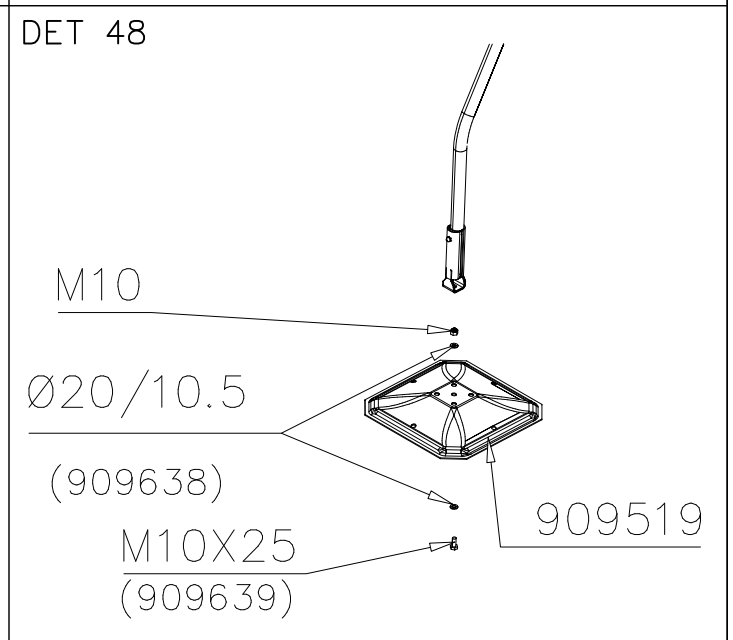
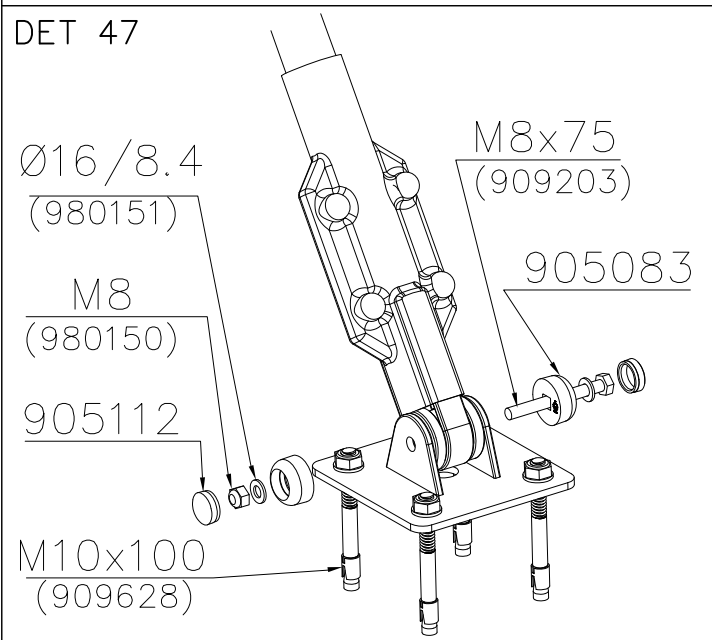
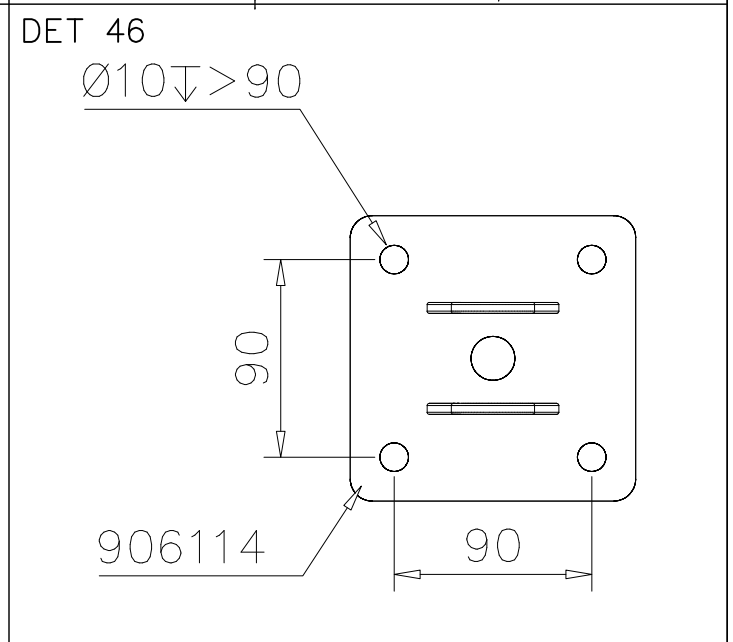
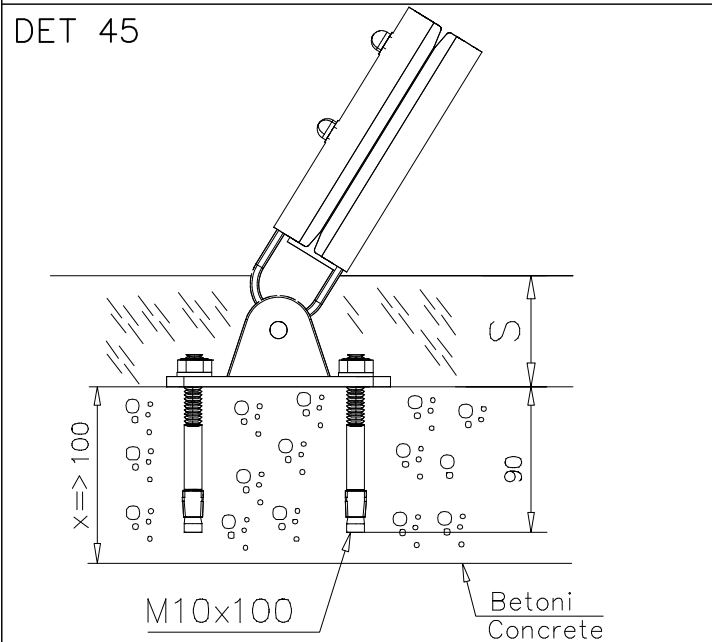
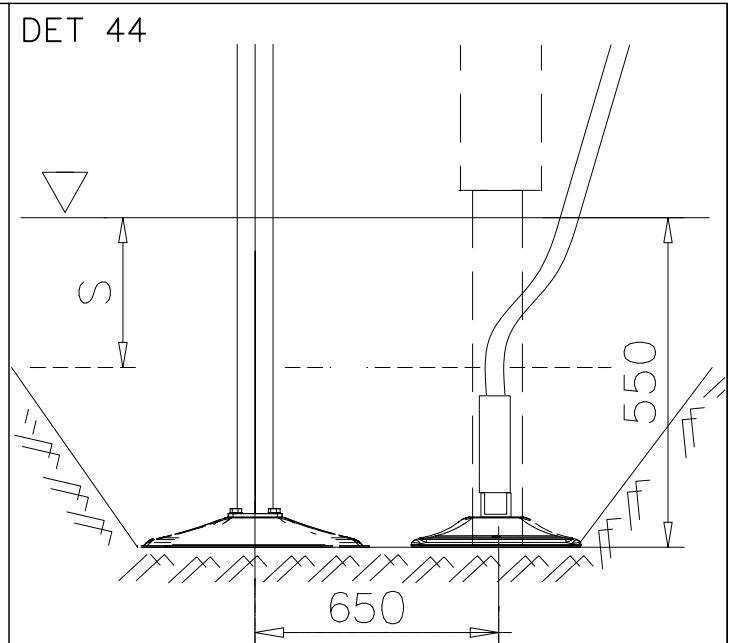
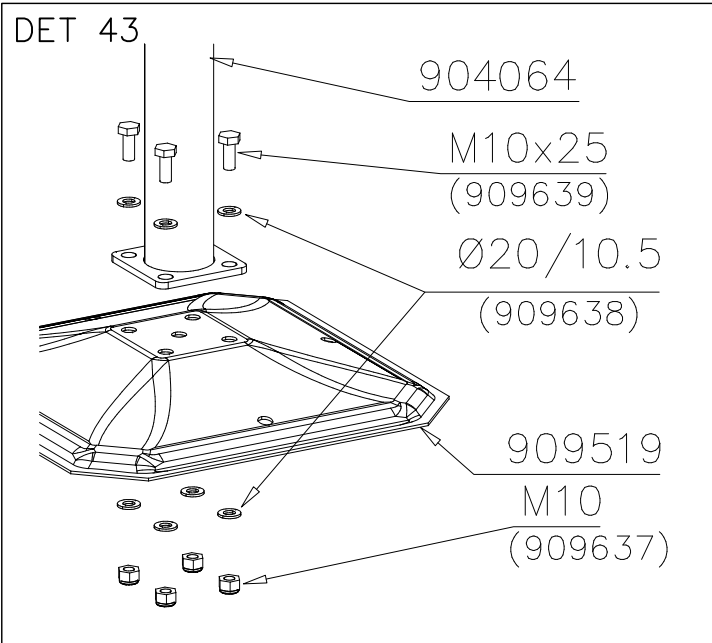
DET 40



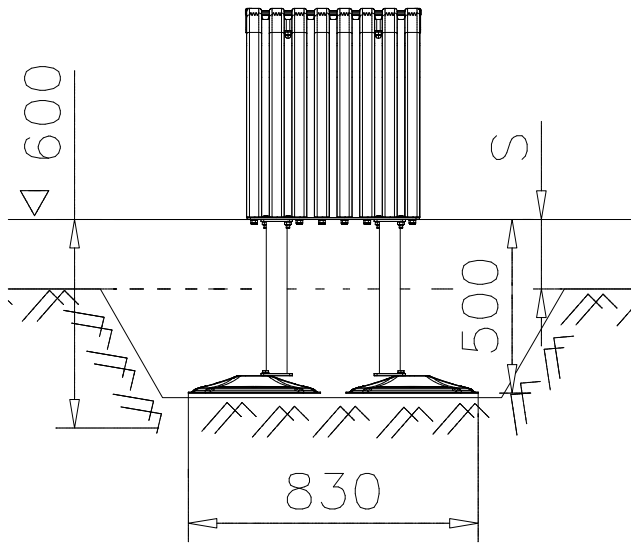
DET 41



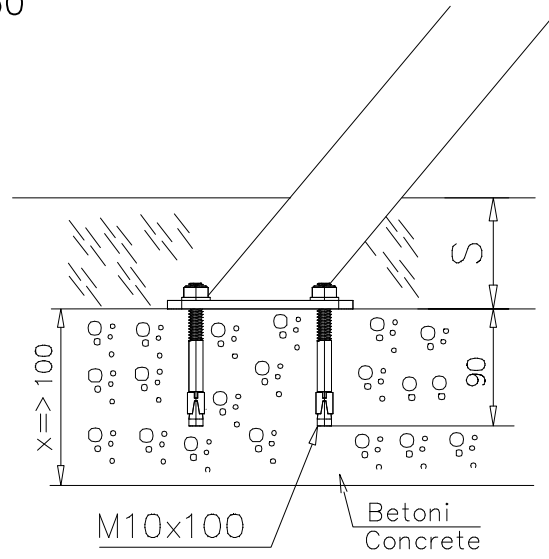
DET 42



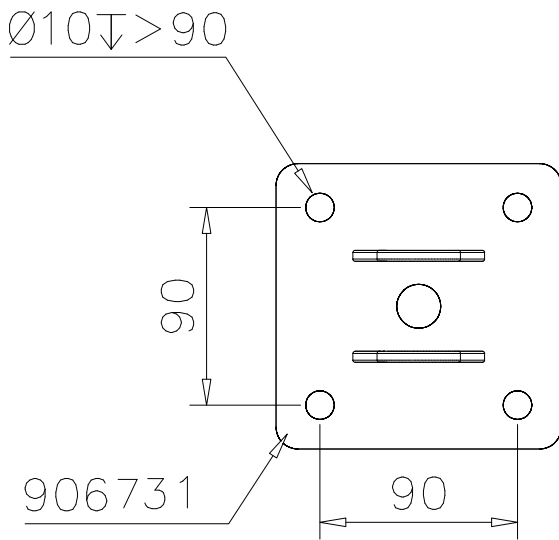
DET 49



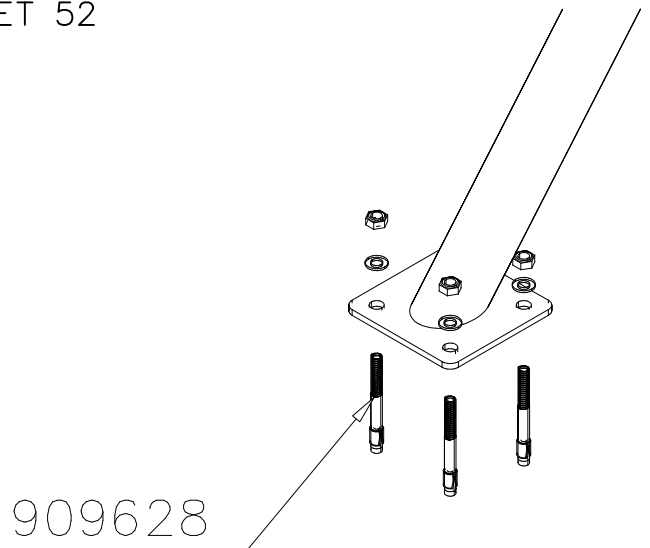
DET 50



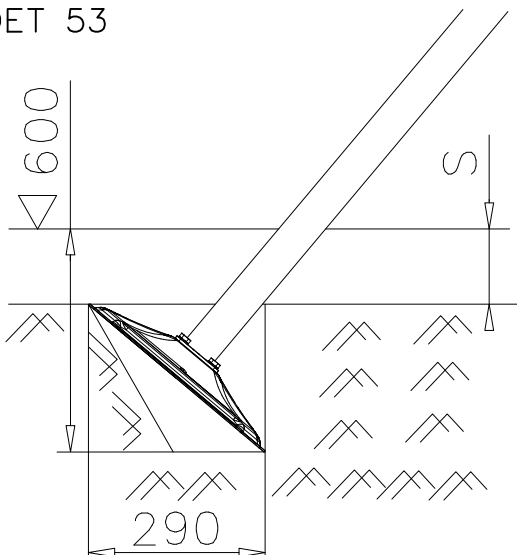
DET 51



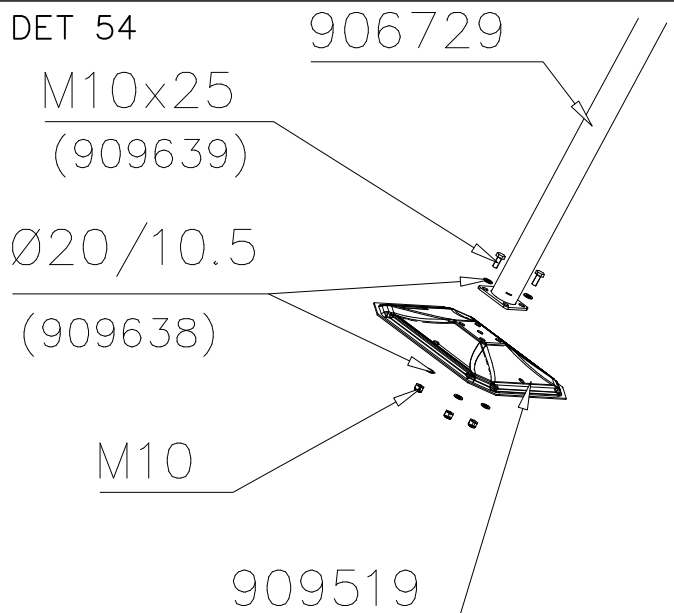
DET 52



DET 53



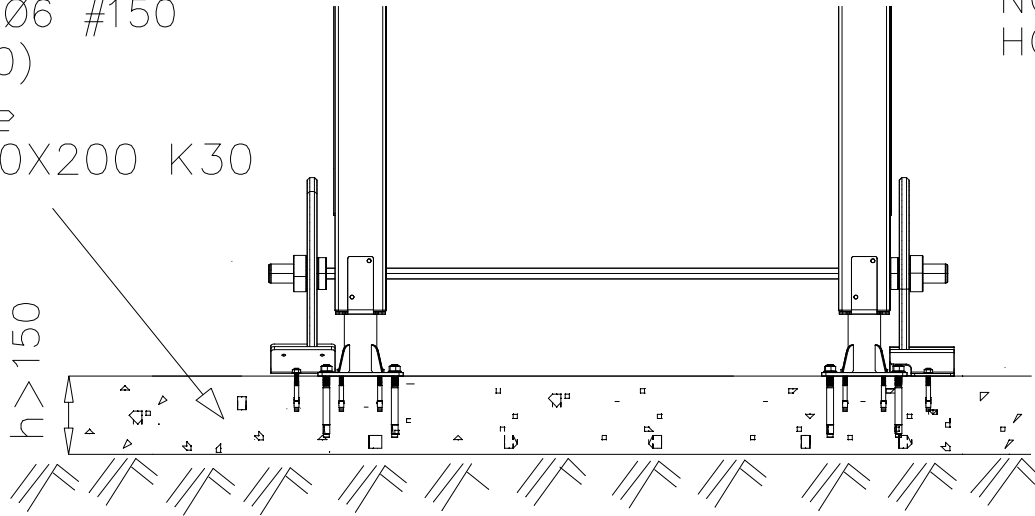
DET 54



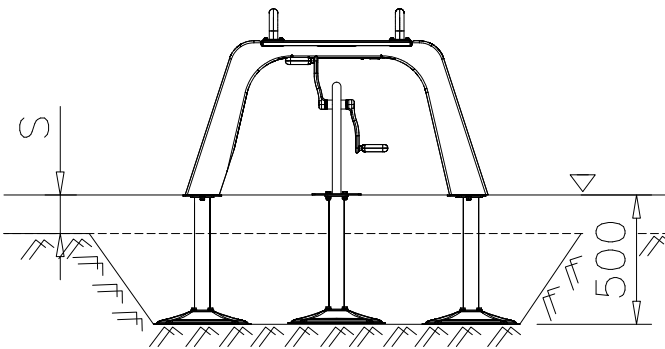
DET 55

STEELNET Ø6 #150
(1400x2100)
Concrete
1500X2200X200 K30

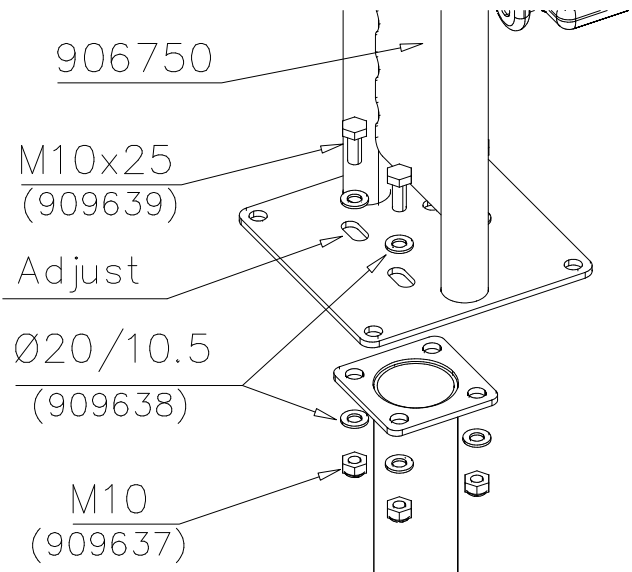
NOTE!
HOX!



DET 56



DET 57

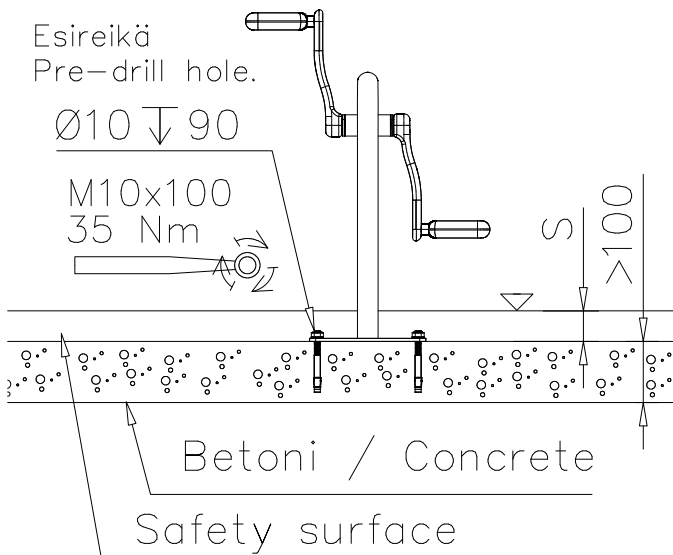


DET 58

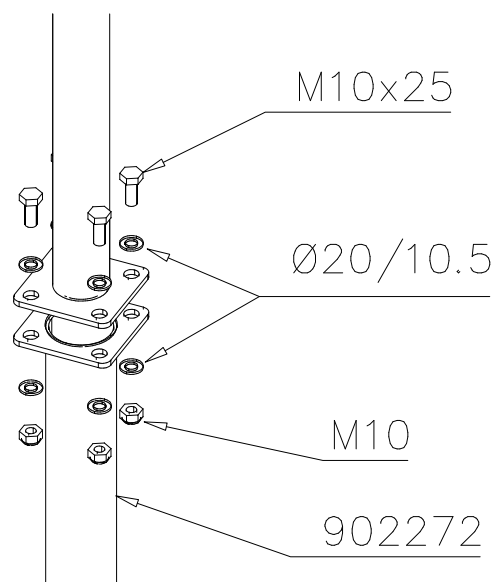
Esireikä
Pre-drill hole.

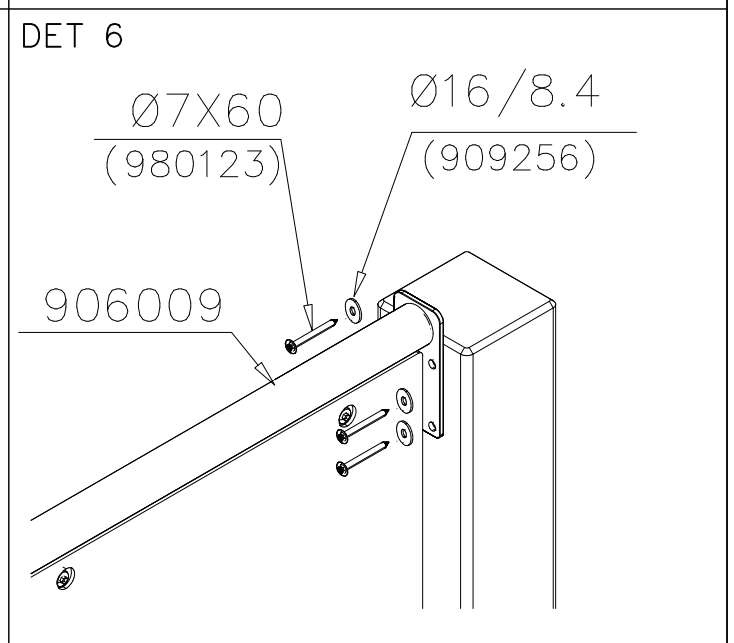
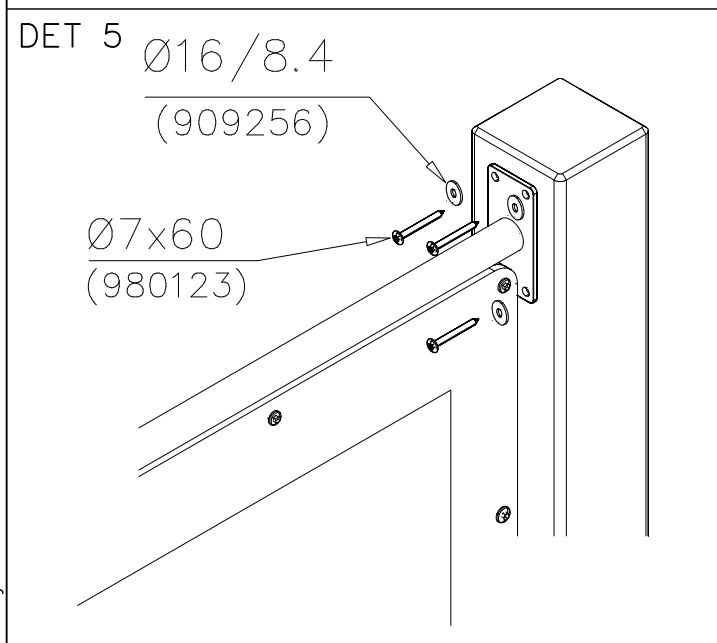
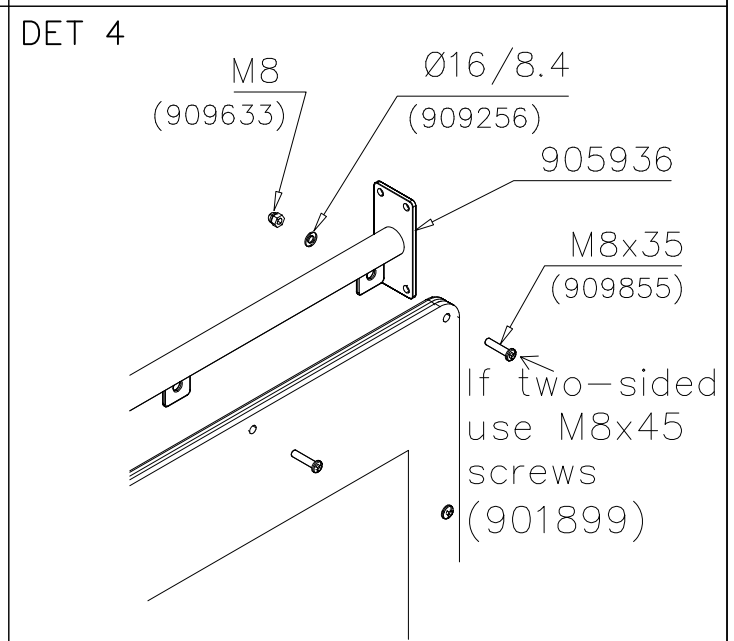
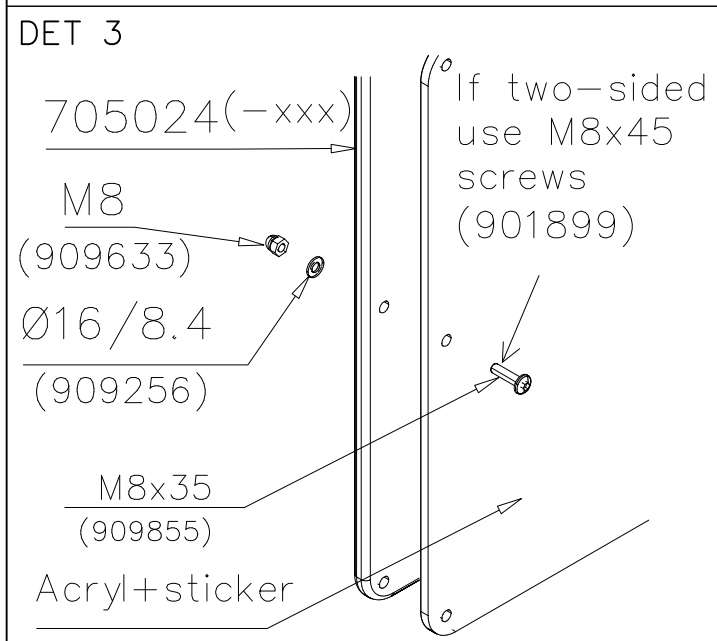
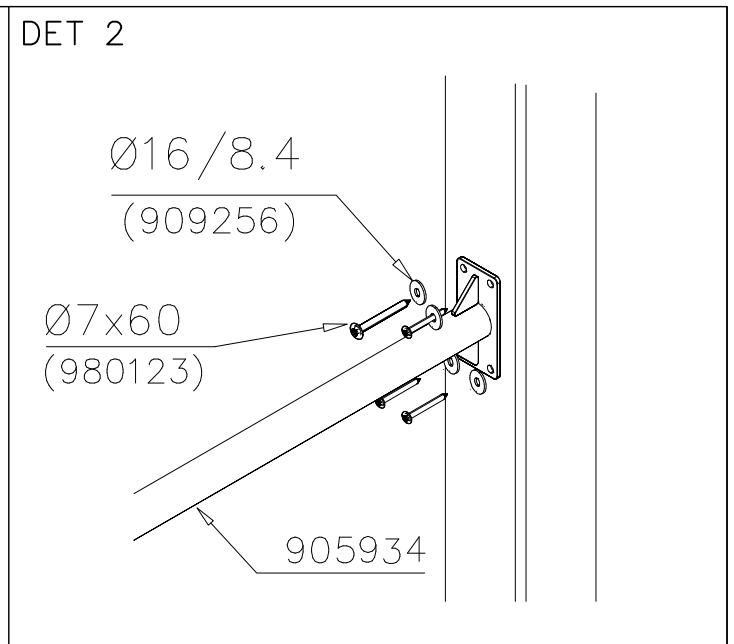
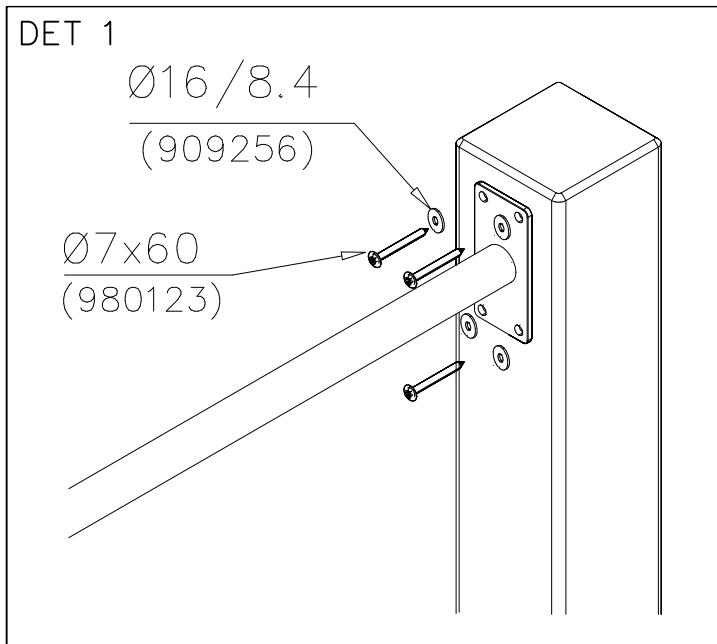
Ø10 ↓ 90

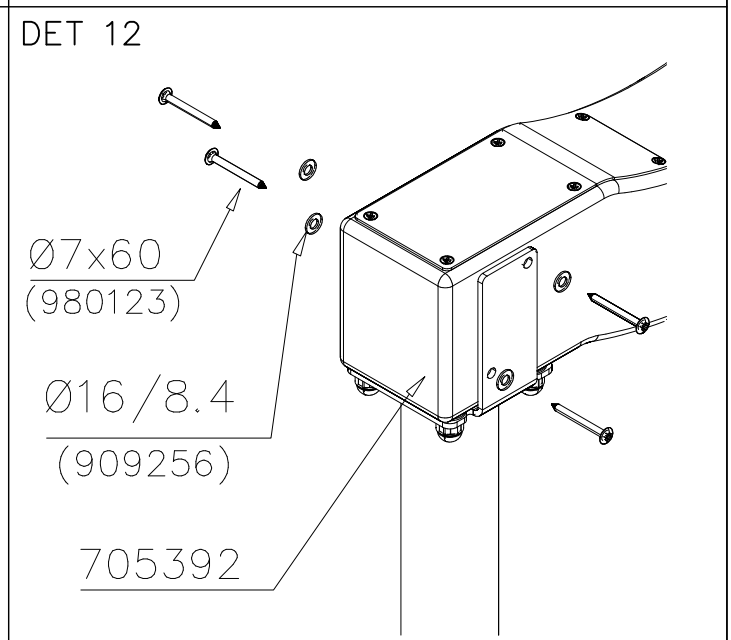
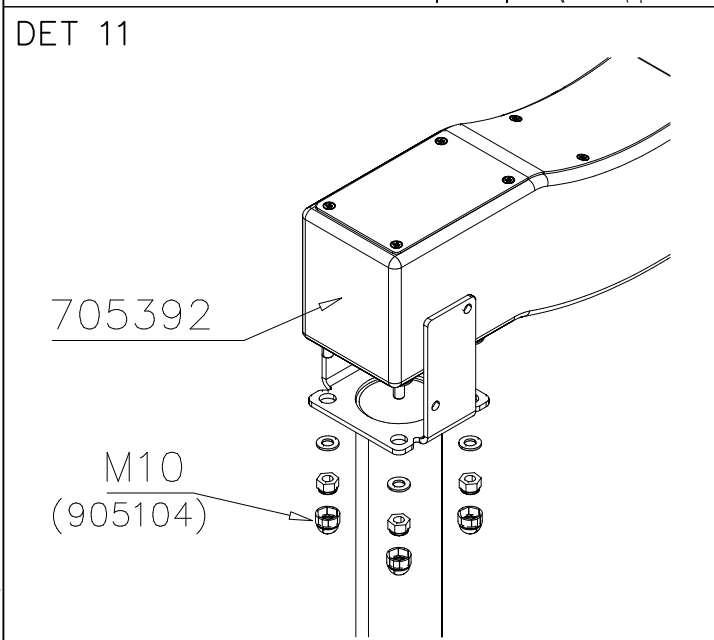
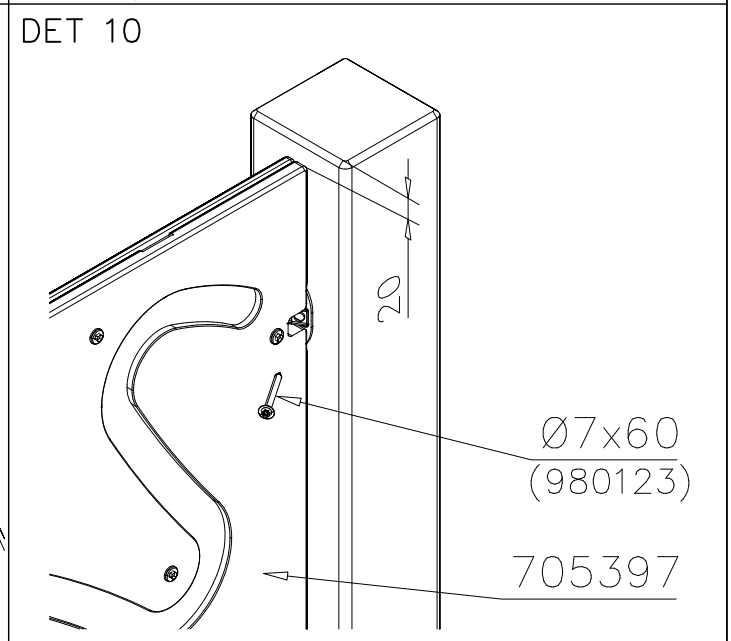
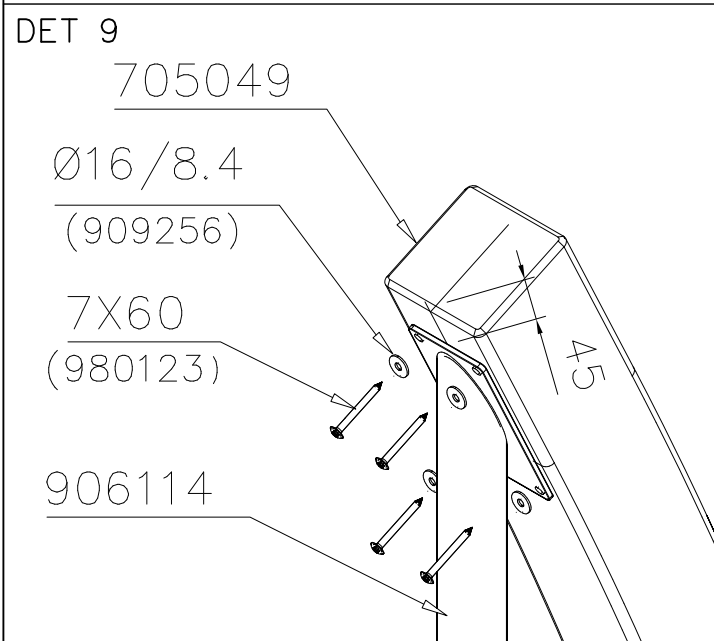
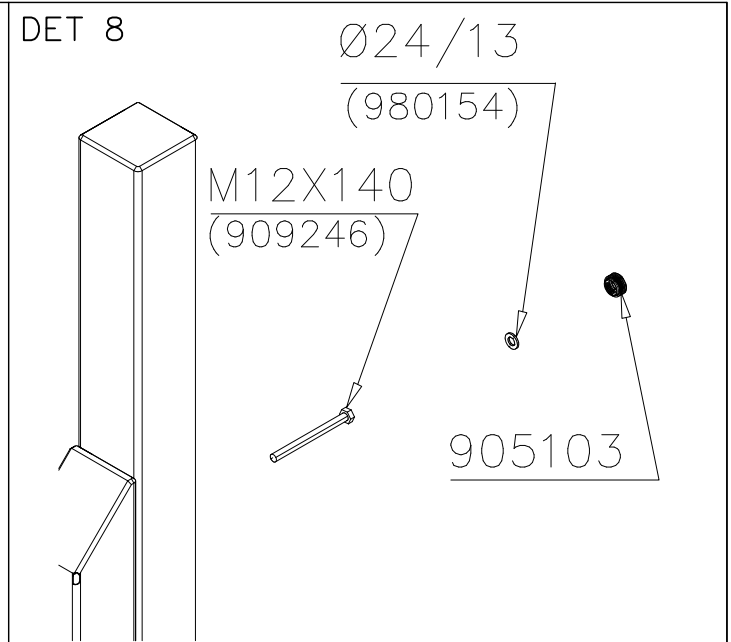
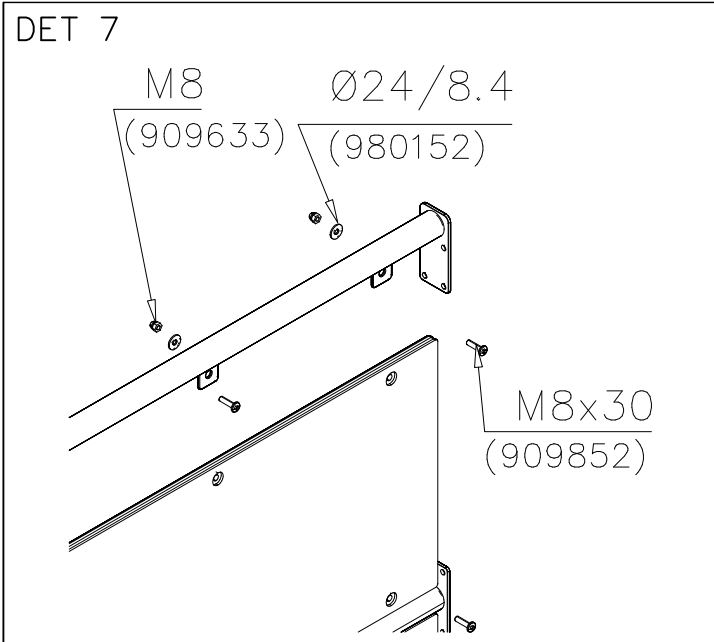
M10x100
35 Nm



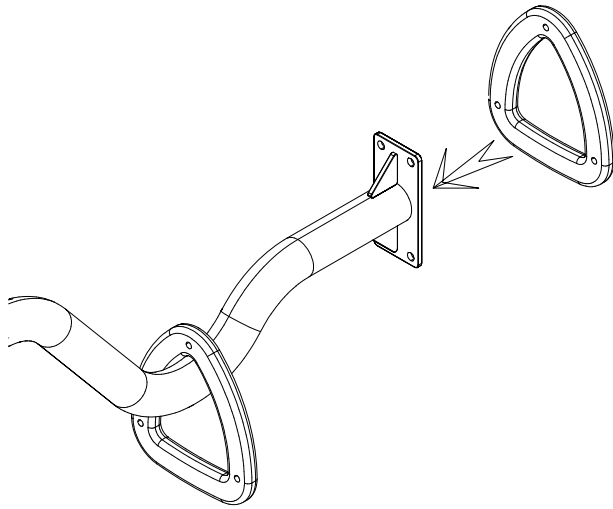
DET 59



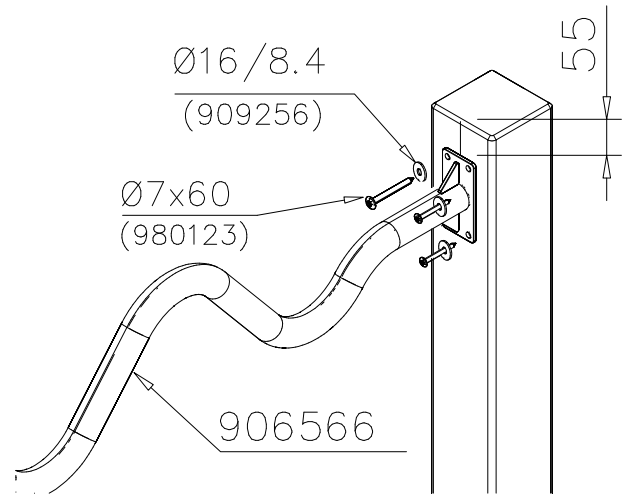




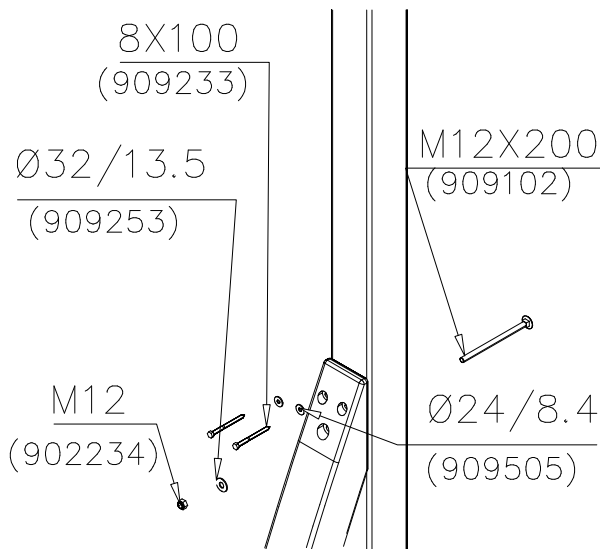
DET 13



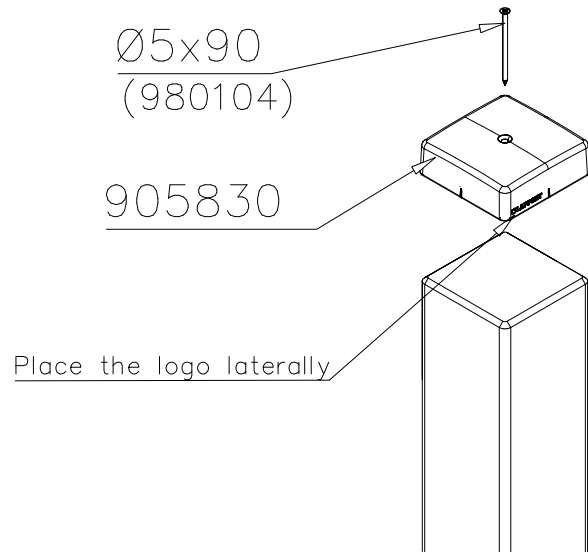
DET 14



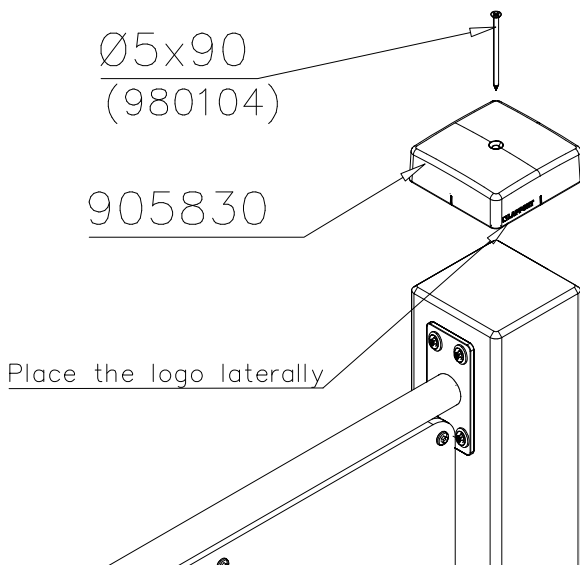
DET 15



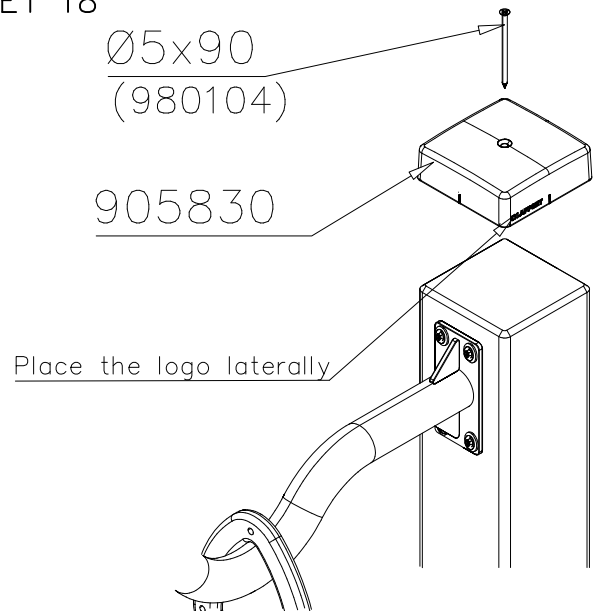
DET 16



DET 17

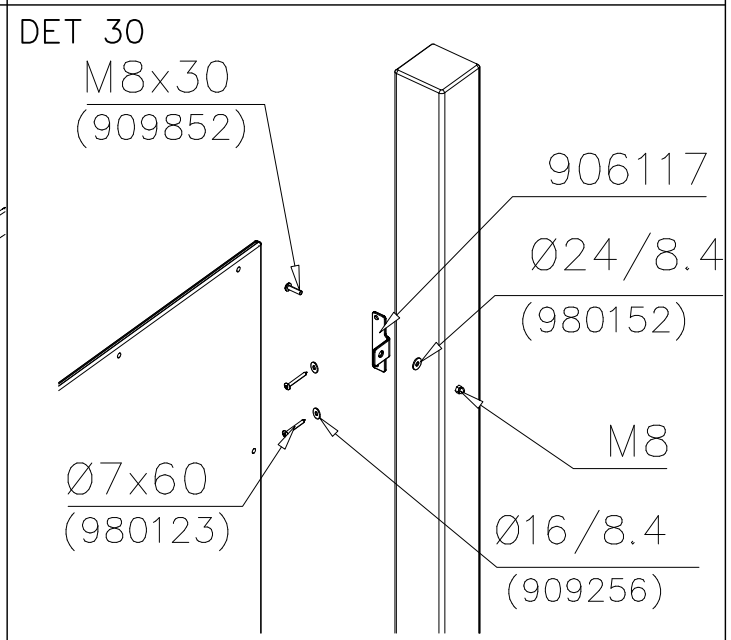
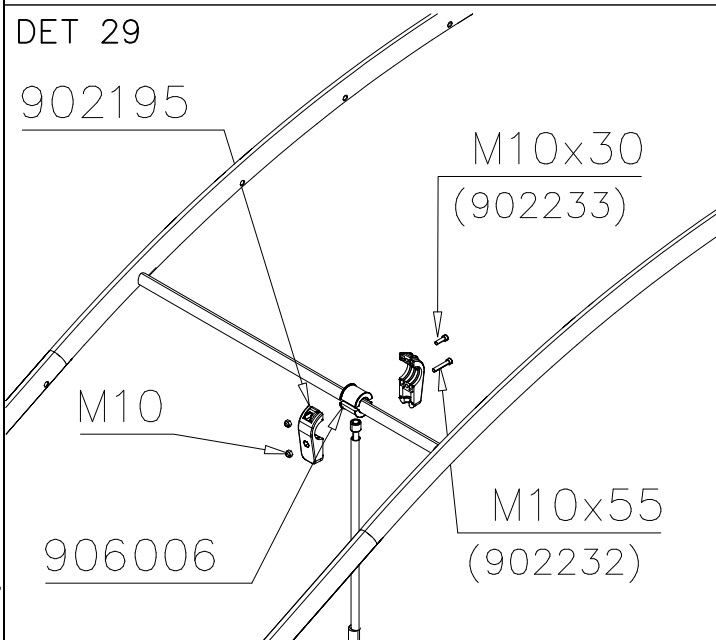
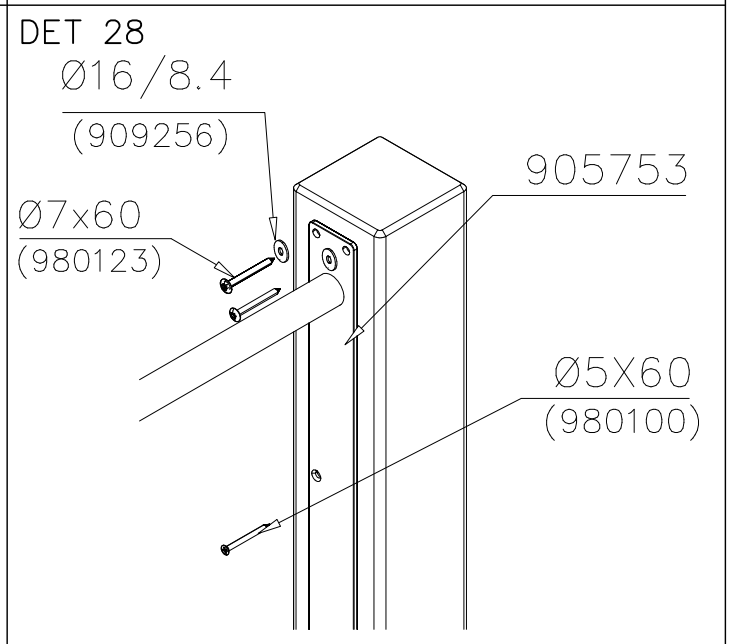
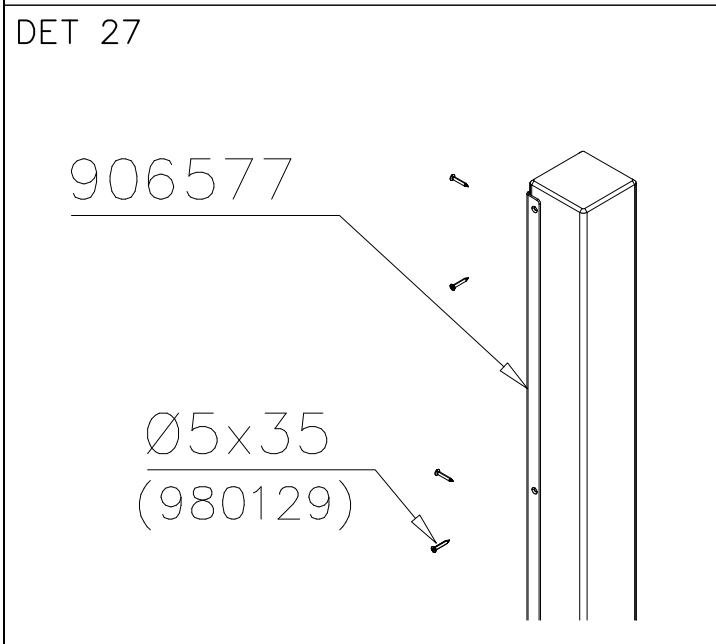
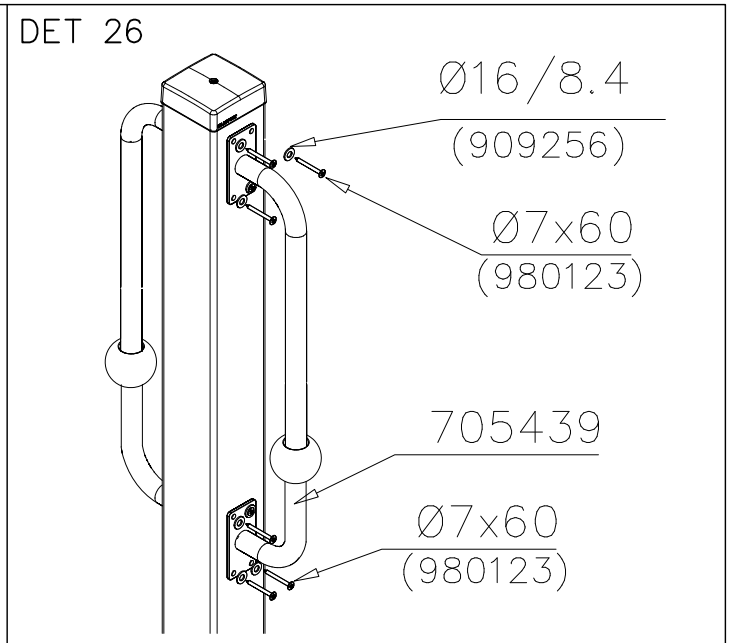
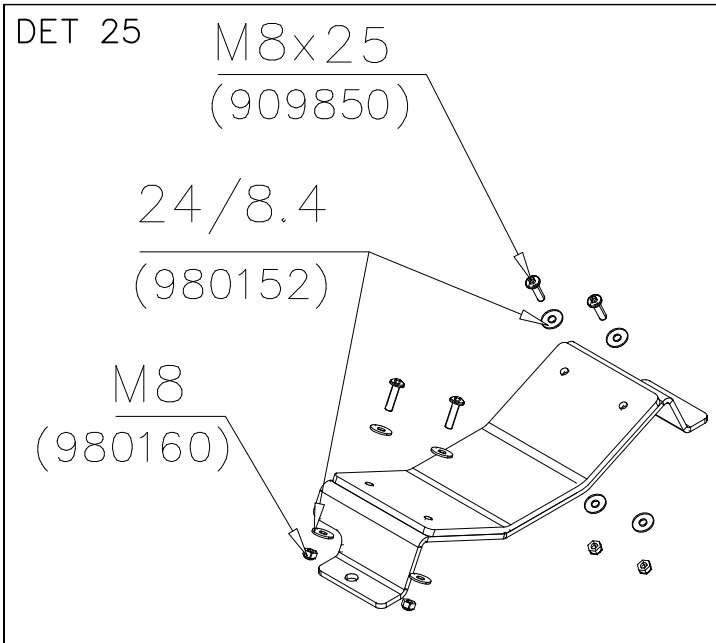


DET 18



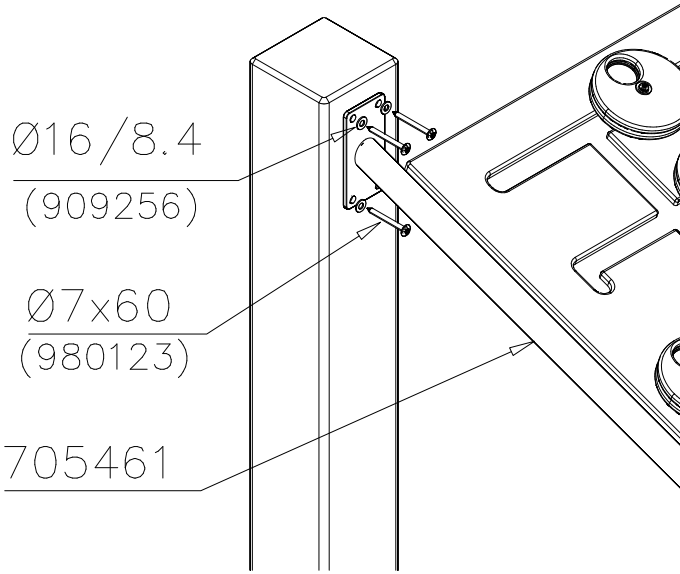


<p>DET 19</p> <p>M10x40 (901487)</p> <p>Ø20/10.5x2 (901302)</p> <p>M10 (909637)</p>	<p>DET 20</p> <p>M10x35 (902252)</p> <p>19x21x25 (903193)</p> <p>Ø20/10.5x2 (901302)</p> <p>M10 (909637)</p>
<p>DET 21</p> <p>Muoviosan sijoitus (903193) Position of the plastic piece</p>	<p>DET 22</p> <p>705433 705434</p> <p>Ø8x70 (900240)</p>
<p>DET 23</p> <p>Ø32 (905083)</p> <p>Ø16/8.4 (980151)</p> <p>Ø22 (905112)</p> <p>M8x75 (909203)</p> <p>M8</p>	<p>DET 24</p>

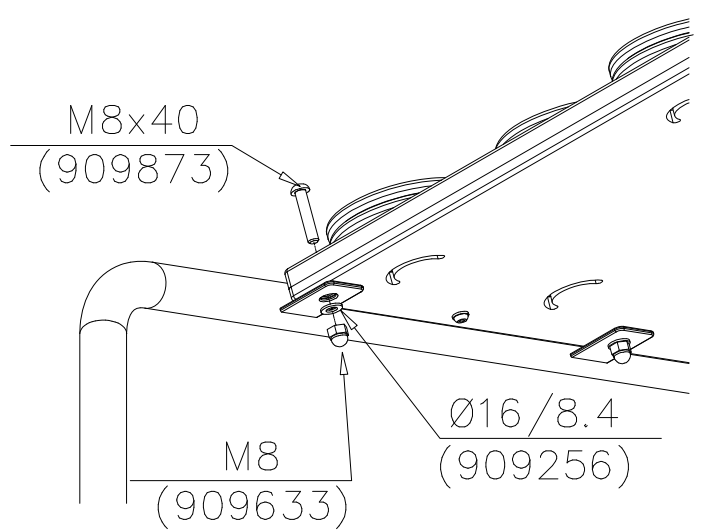


SPORT

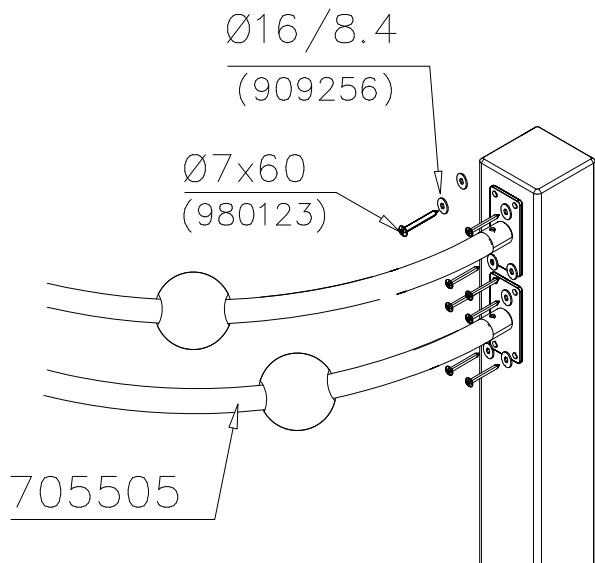
DET 31



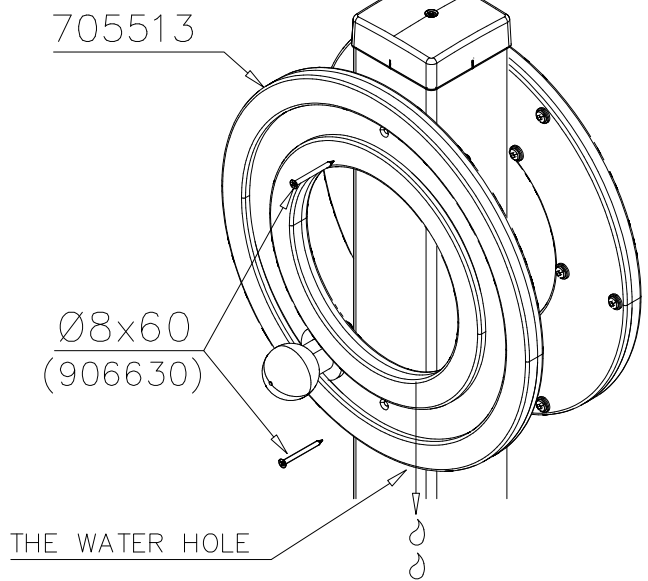
DET 32



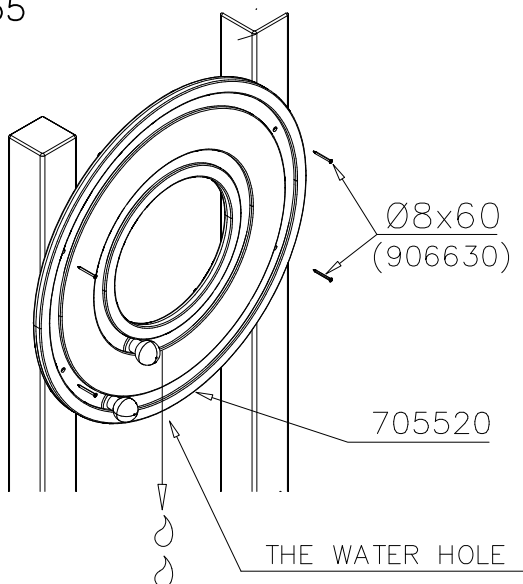
DET 33



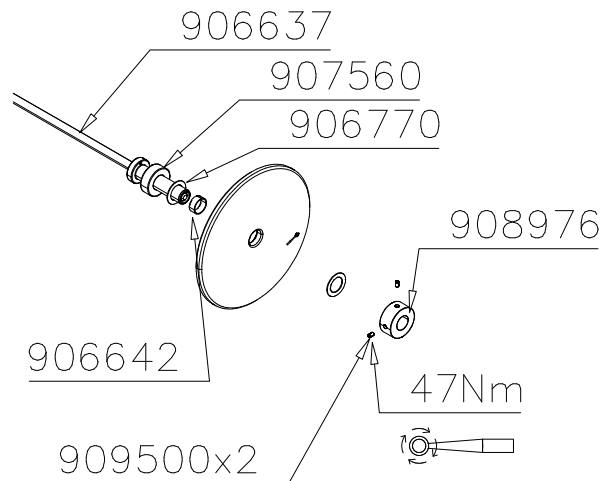
DET 34

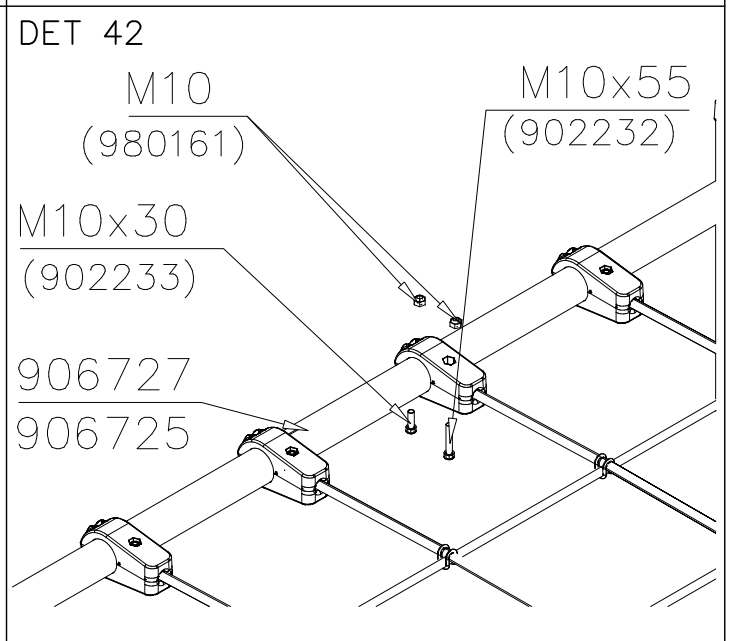
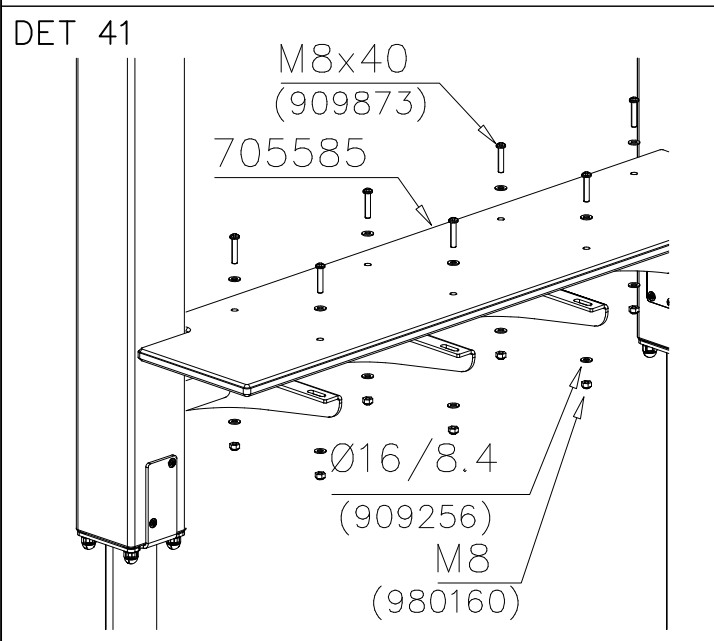
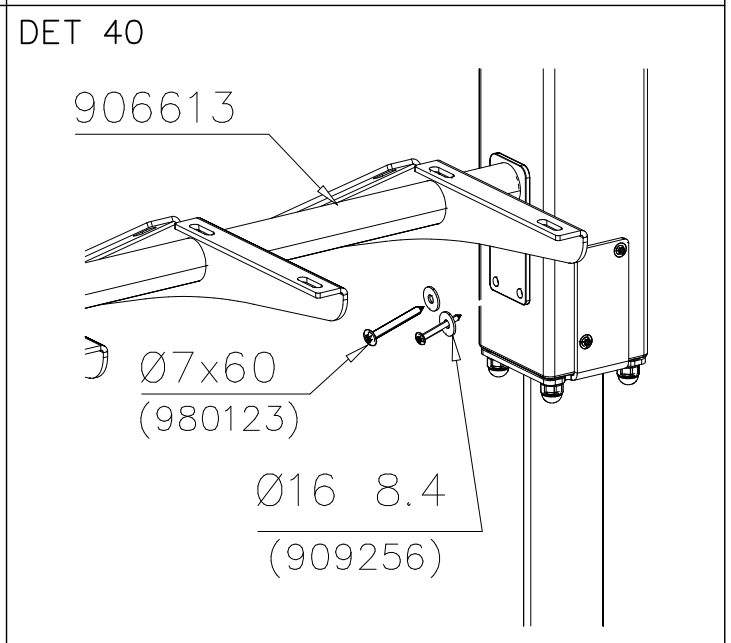
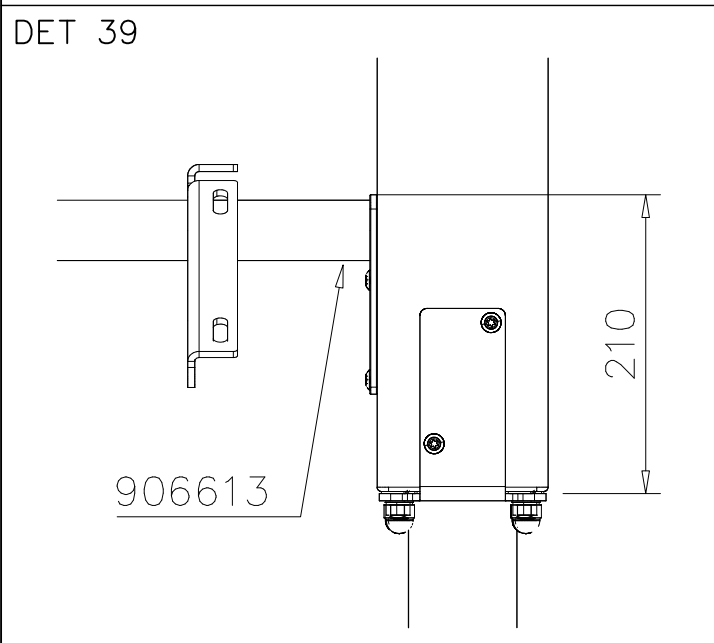
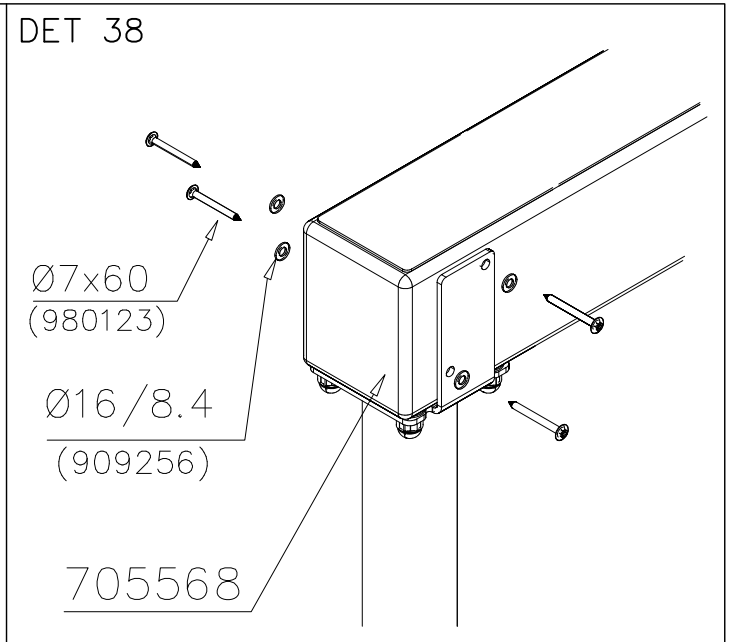
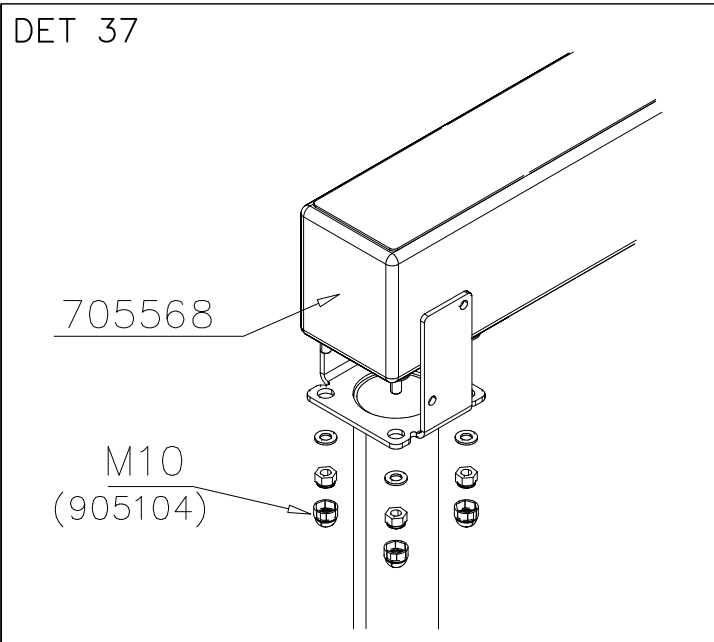


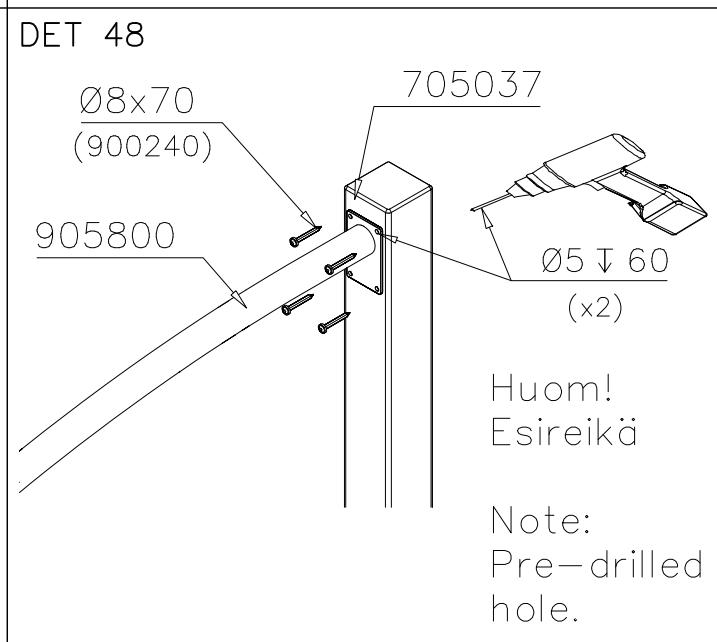
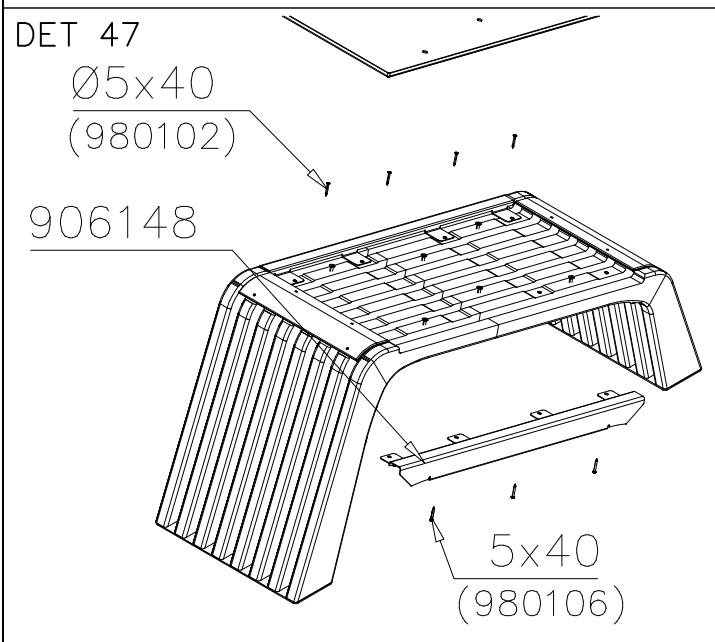
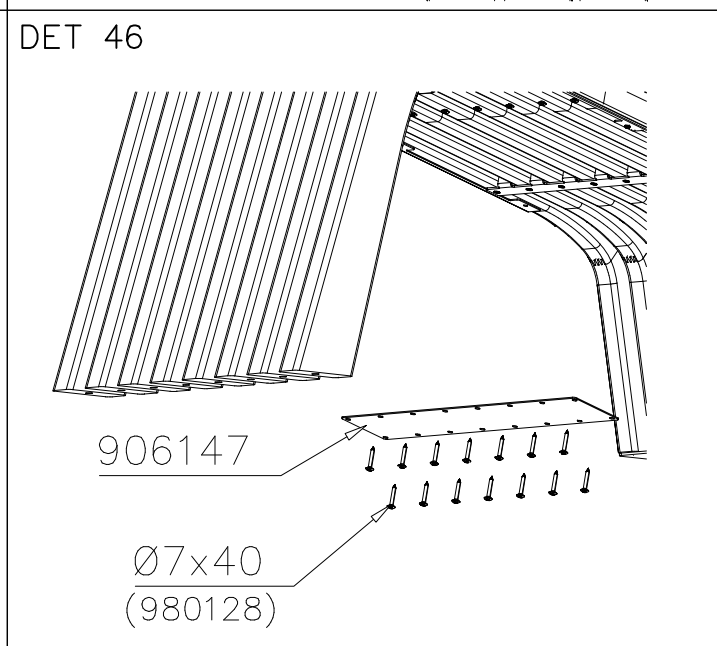
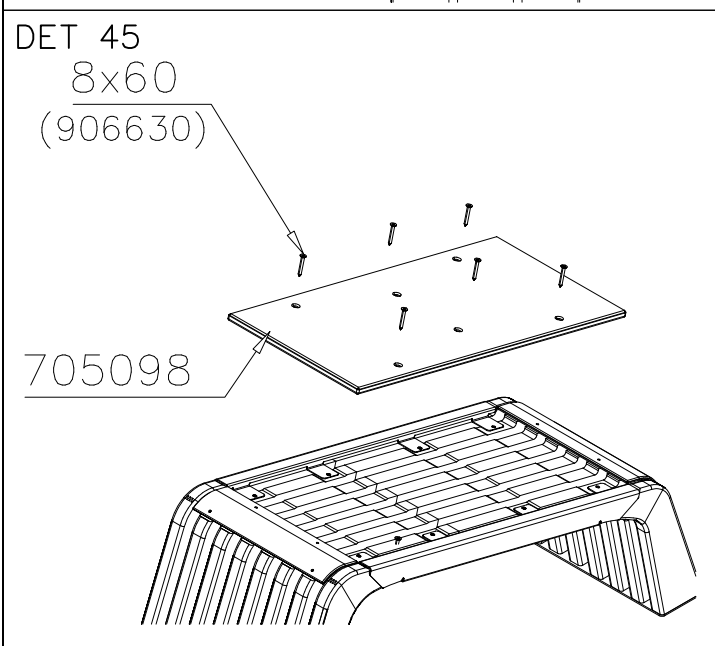
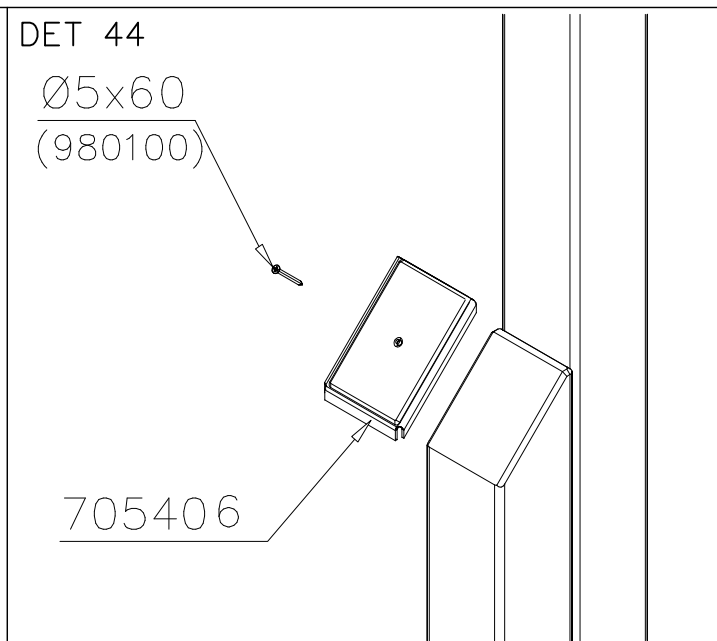
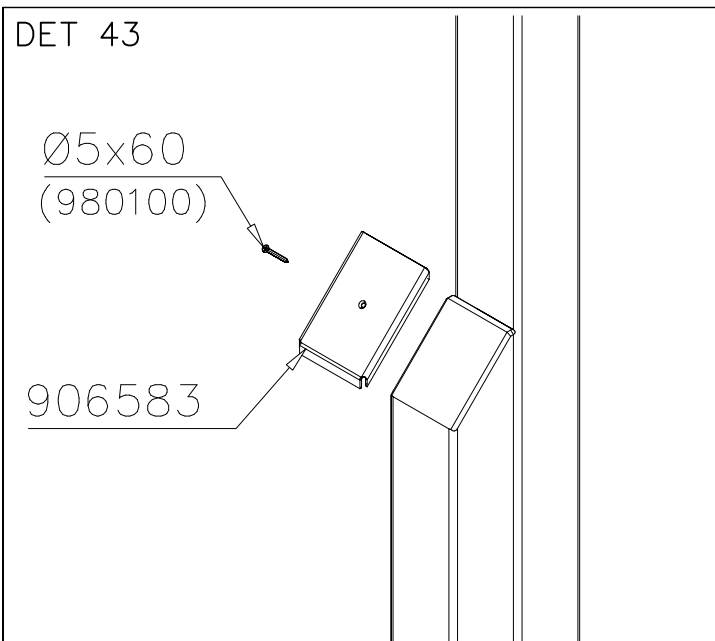
DET 35

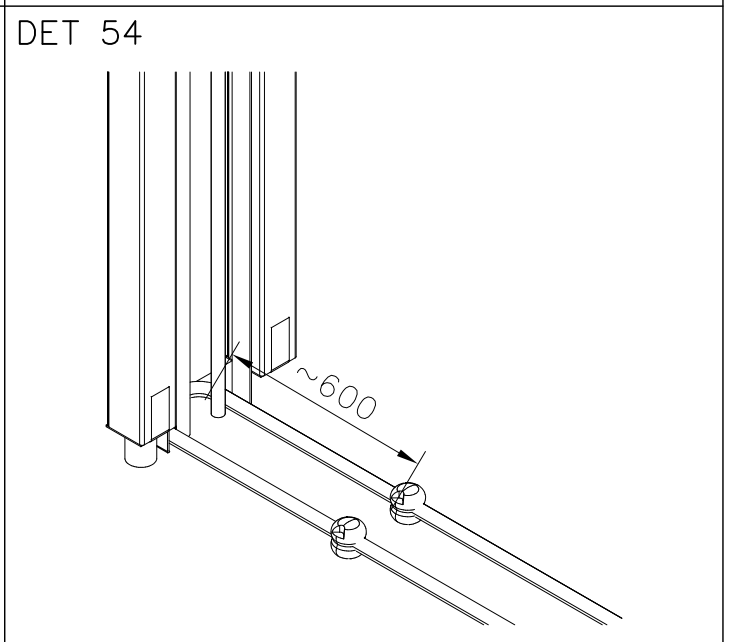
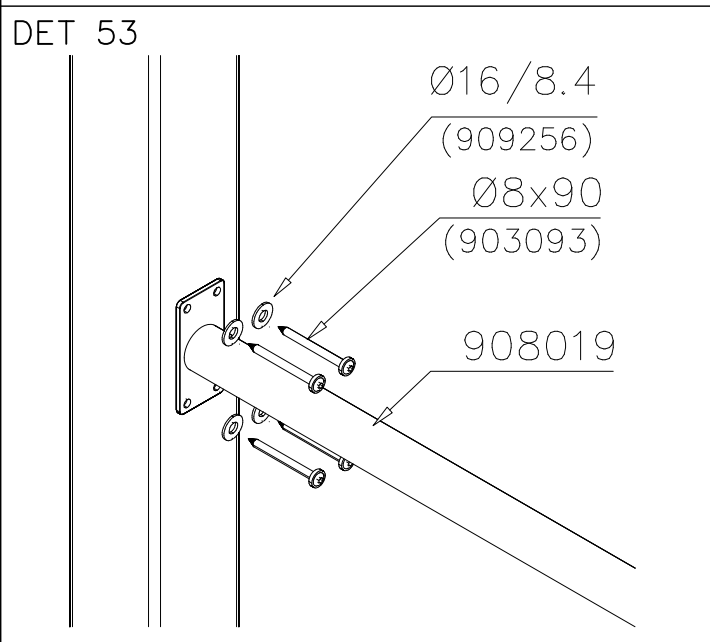
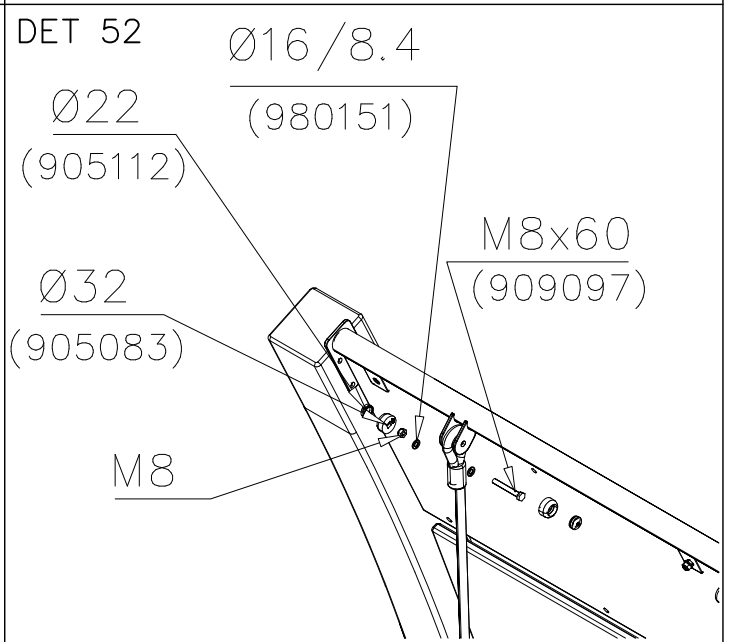
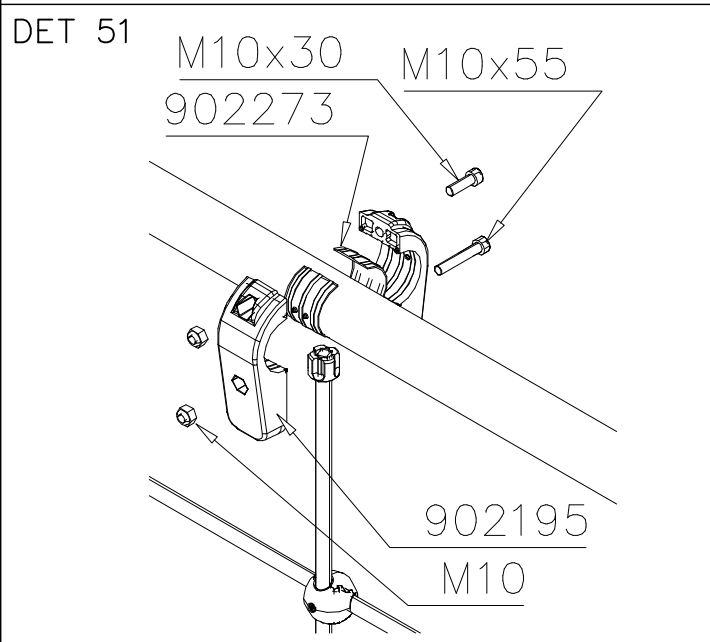
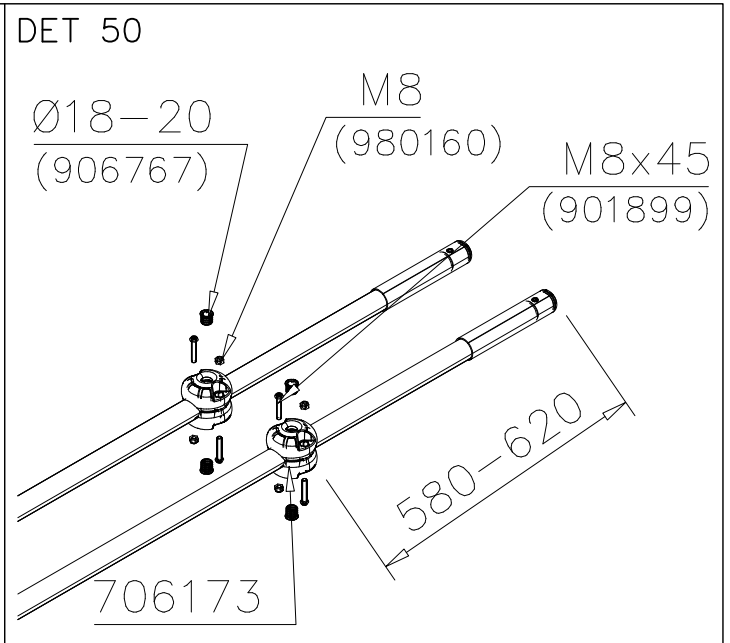
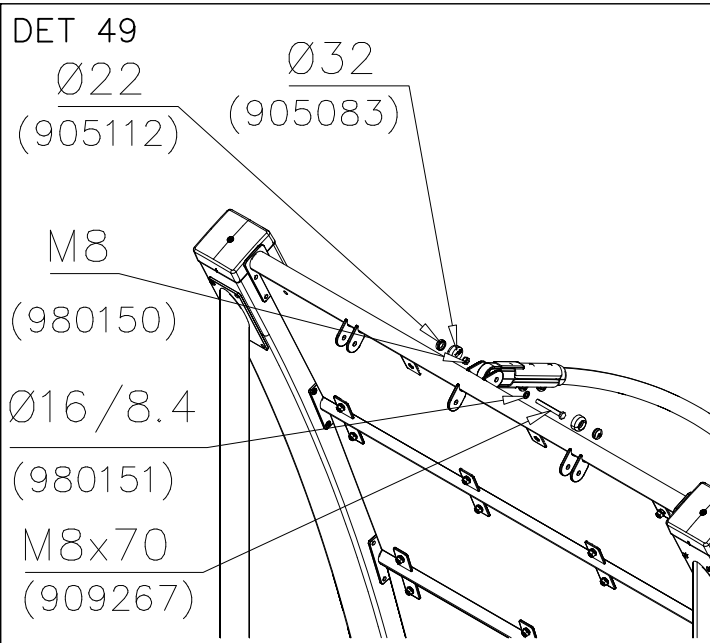


DET 36

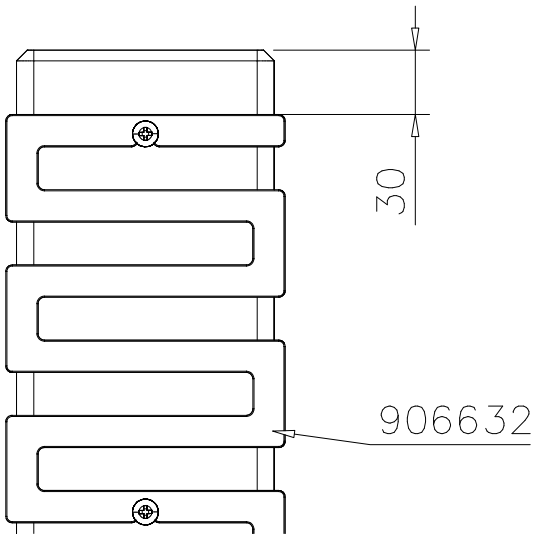




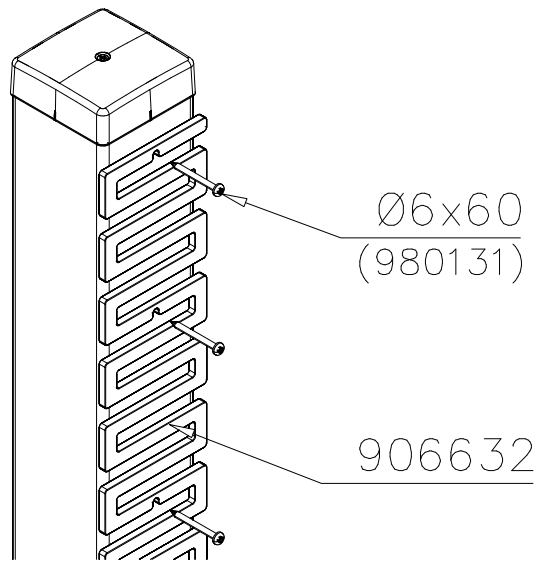




DET 55



DET 56

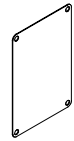



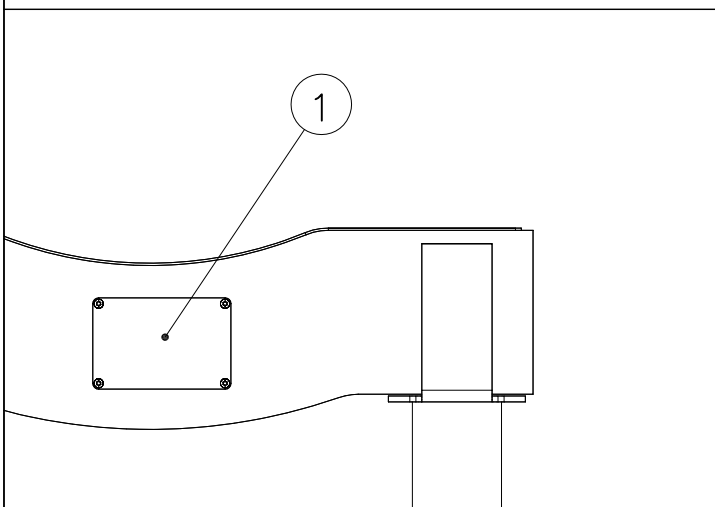
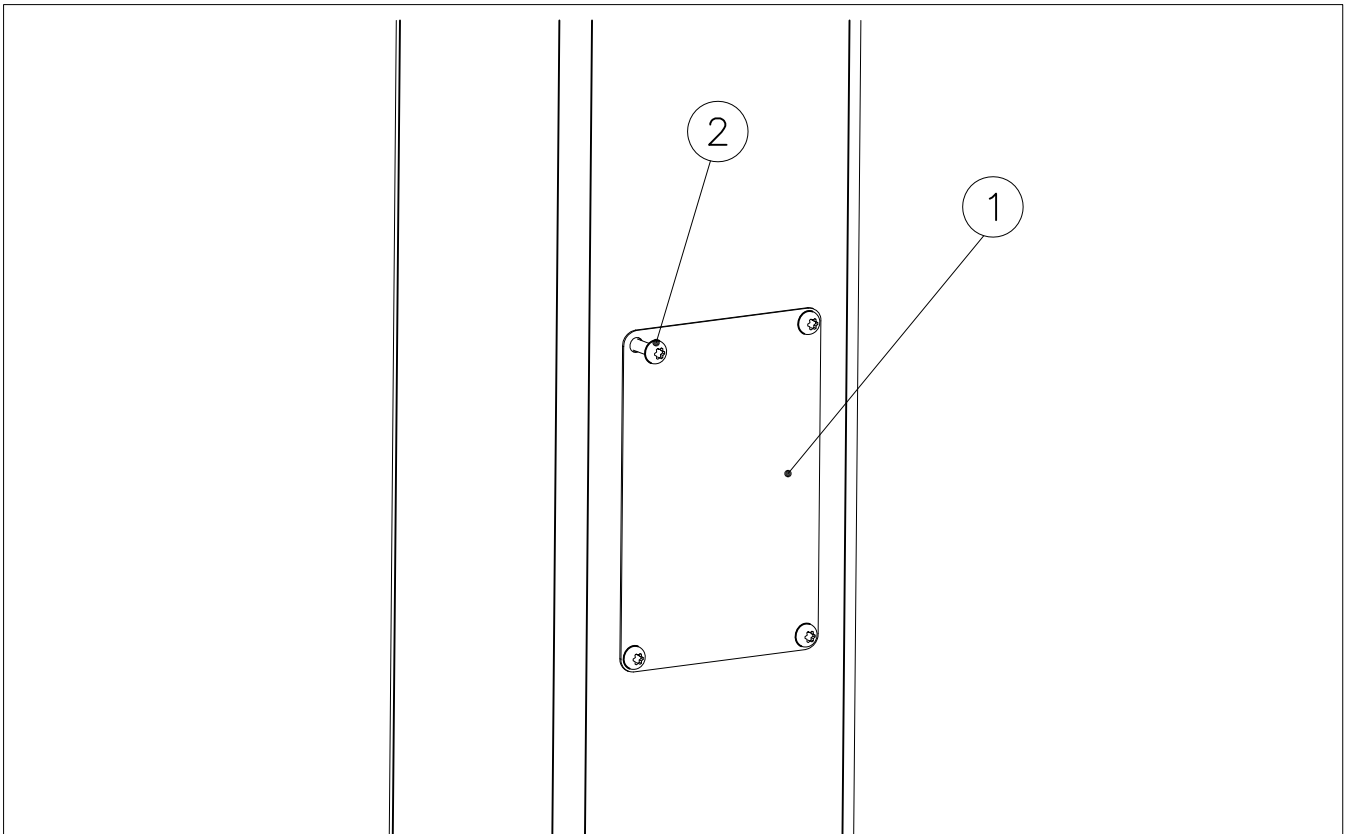
DET 57

DET 58

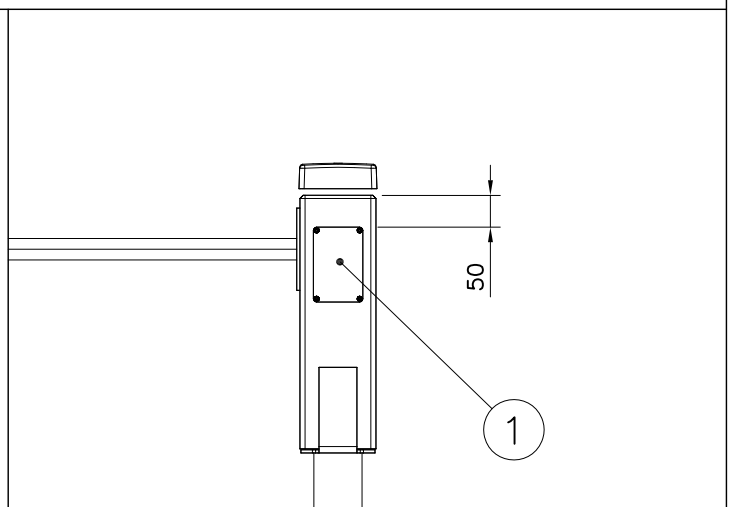
DET 59

DET 60

① SHEET METAL	PCS	② 980114	PCS
	1		4
118x78x0.7		Ø4x20	



Example installation !
Esimerkki asennus !



Example installation !
Esimerkki asennus !

