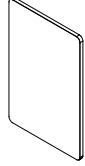



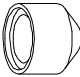

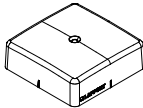





①	706048	PCS	②	705345	PCS
		1			1
				120x120x1520	
③	705439	PCS	④	980114	PCS
		2			4
				Ø4x20	
⑤	905104	PCS	⑥	905761	PCS
		4			1
	M10			120x120x700	
⑦	905830	PCS	⑧	980104	PCS
		1			1
	123x123x40			Ø5x90	
⑨	980123	PCS	⑩	909256	PCS
		20			20
	Ø7x60			Ø16/8.4	
		PCS			PCS
		PCS			PCS
		PCS			PCS

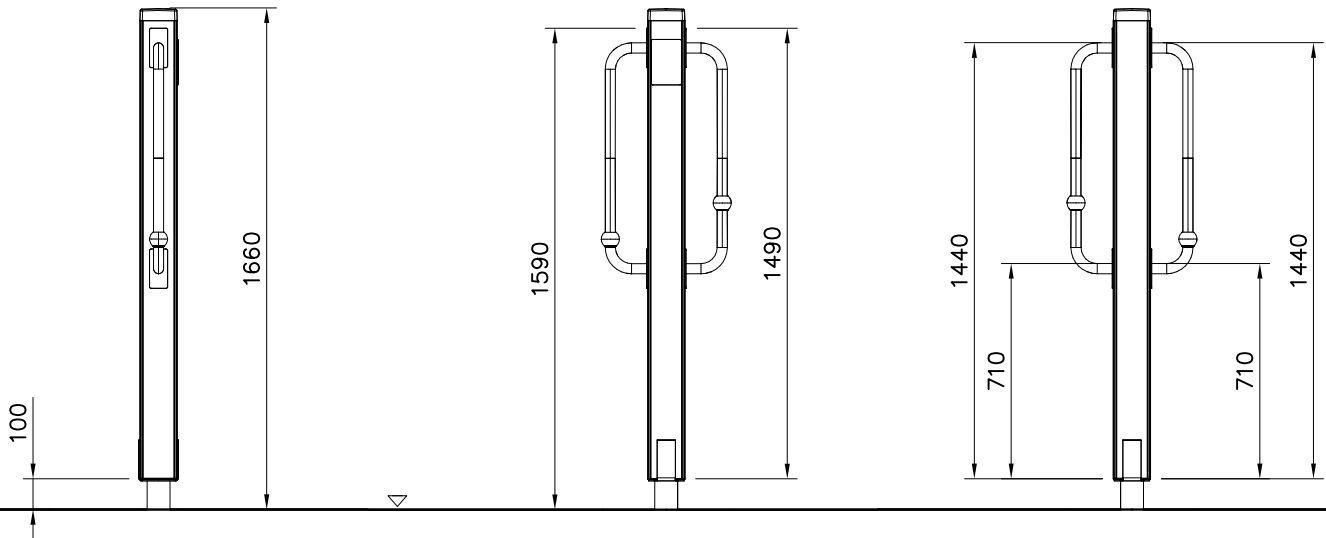
WINAM GROUP SPORT

081430M

DATE: 25.8.2017

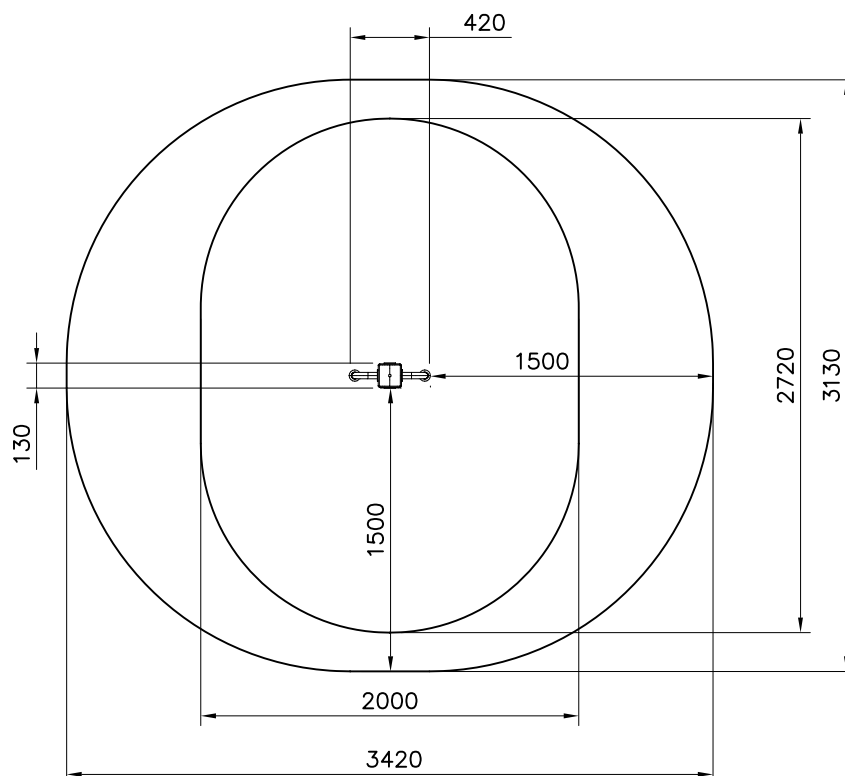


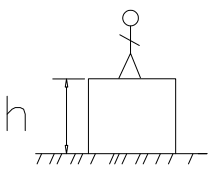



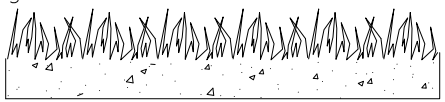
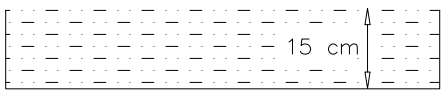
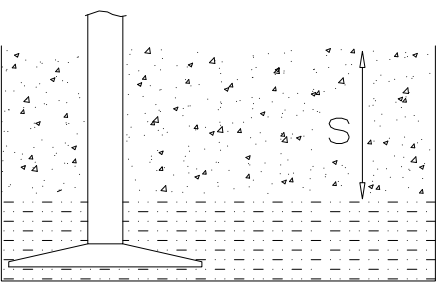
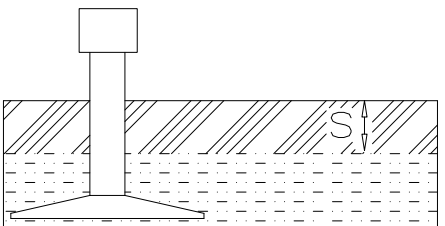
1: 25



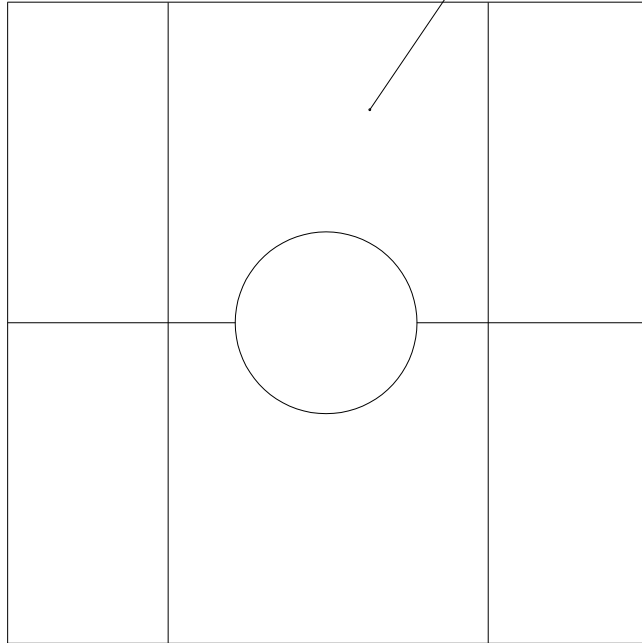
Area of Movement 8.8 m²
Training Space 4.6 m²
Max Falling Height 0 mm

1: 40

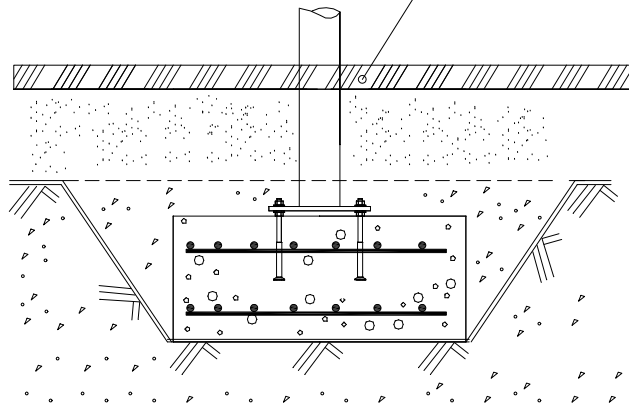


		
<p>$h < 600$</p> <p>Without movement and therefore without Impact Area</p>	<p>Totally hard surfaces.</p> <p>Note. Lappset does <u>not</u> recommend totally hard surfaces at all.</p>	<p>E.g. concrete or asphalt</p> 
<p>$h < 600$</p> <p>With movement e.g. rocking</p>	<p>Materials with very limited impact attenuating properties.</p>	<p>E.g. wood</p> 
<p>$h < 1000$</p>	<p>Materials with significant impact attenuating properties.</p>	<p>fine gravel 0–8 mm</p>  <p>grass</p>  <p>unsorted sand</p> 
<p>$h < 3000$</p>	<p>Loose fill material</p> <p>E.g. sand/gravel 0,25...8 mm D60/D10<3,0 Woodchips 5...30 mm bark 20...80 mm</p>	 <p>\underline{S} \underline{h}</p> <p>30 cm < 2,0 m</p> <p>40 cm < 3,0 m</p>
	<p>Syntethic granulates</p> <p>\underline{S} \underline{h}</p> <p>40 mm ~> 1,2...1,3 m</p> <p>50 mm ~> 1,5...1,7 m</p> <p>60 mm ~> 1,8...2,0 m</p> <p>70 mm ~> 2,1...2,5 m</p> <p>Note. For accurate values, see manufacturer's instructions.</p>	

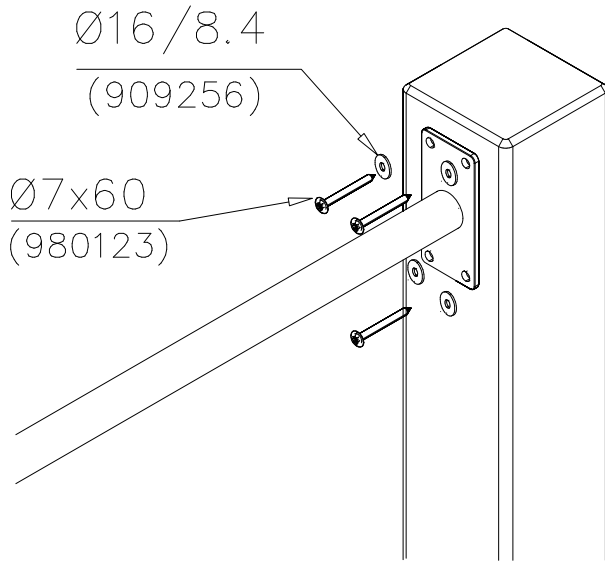
REMOVE SAFETY SURFACE/SAND/GRAVEL
TO CHECK FOUNDATION



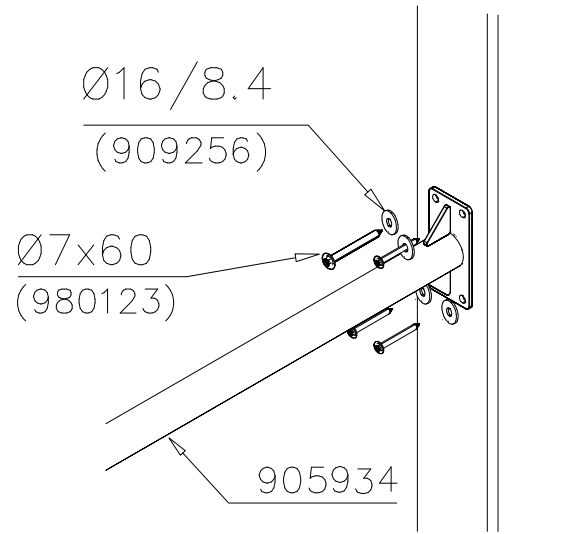
REMOVE SAFETY SURFACE/SAND/GRAVEL
TO CHECK FOUNDATION



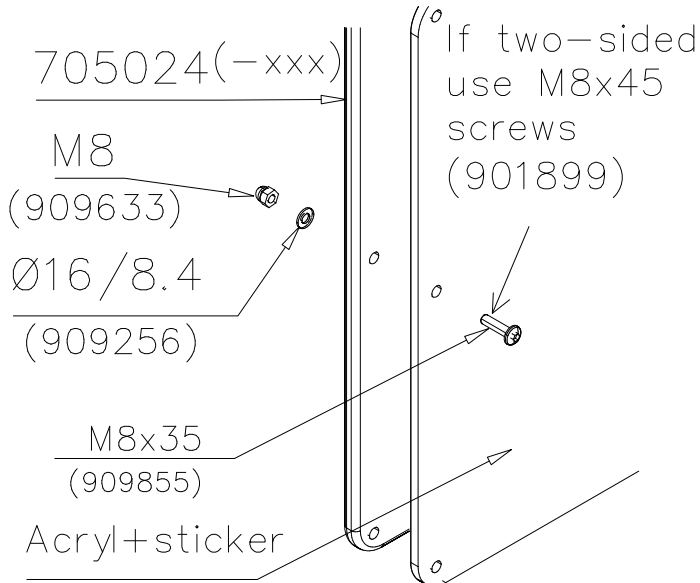
DET 1



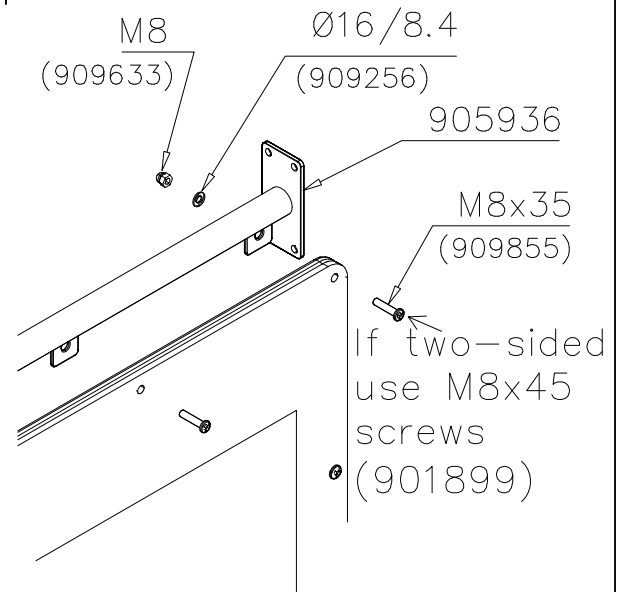
DET 2



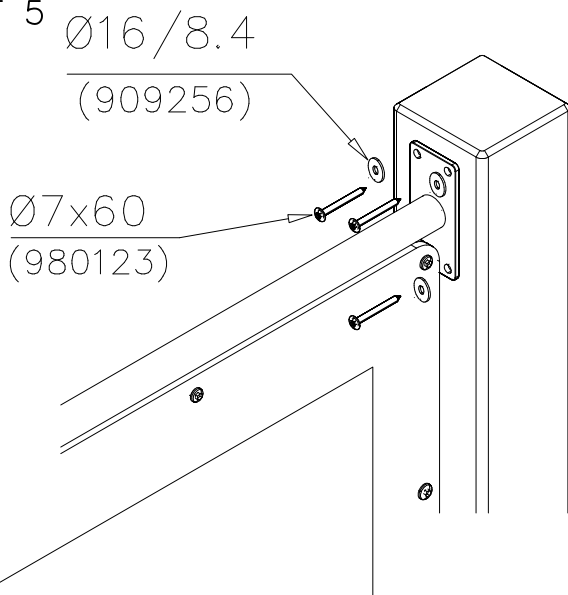
DET 3



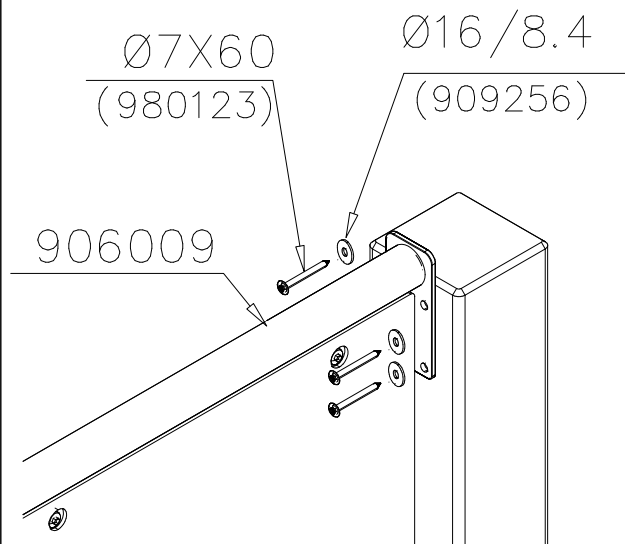
DET 4

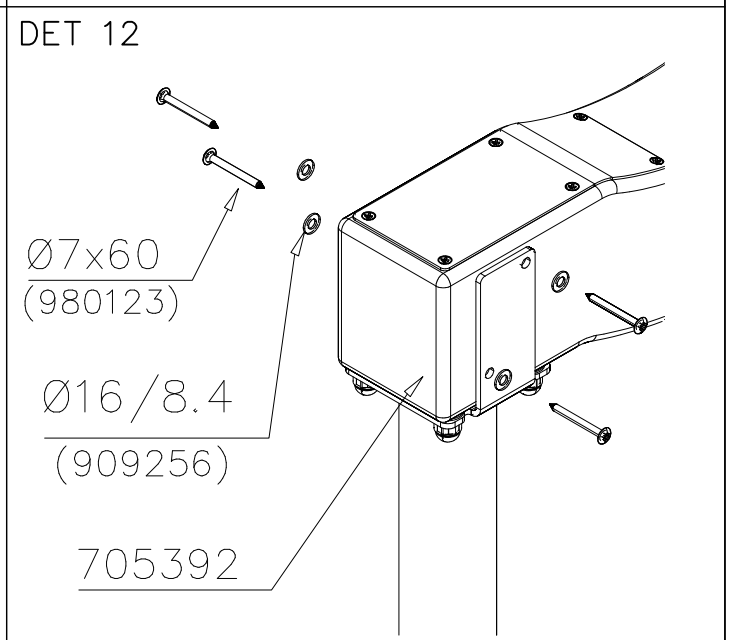
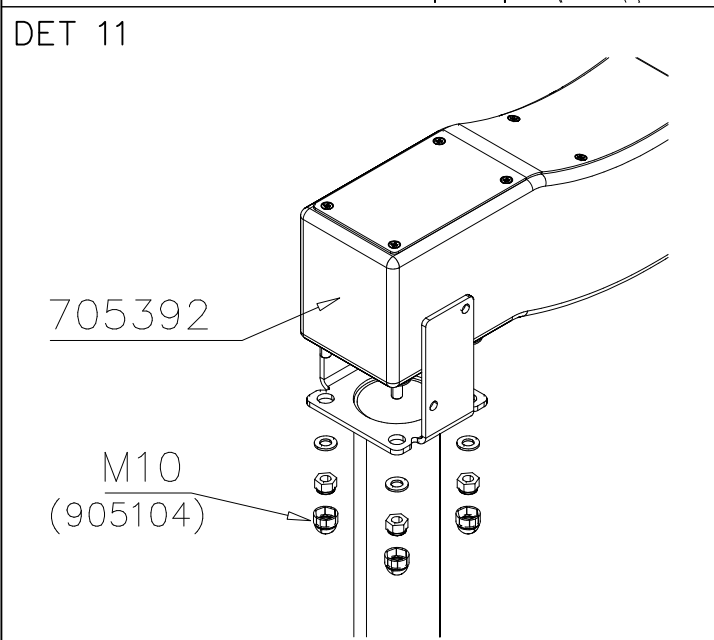
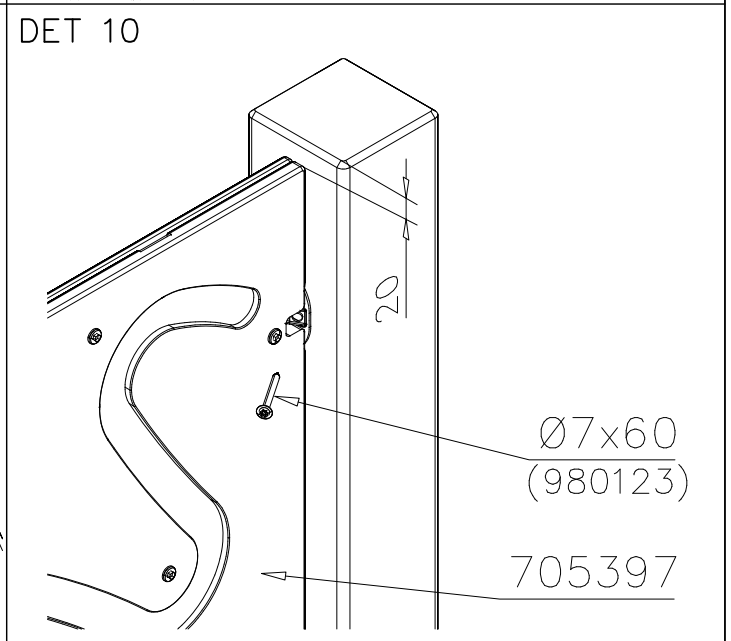
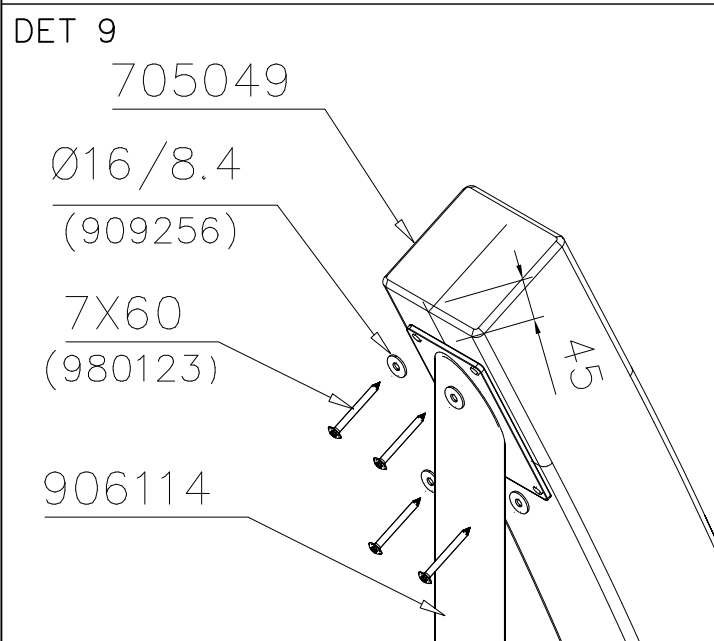
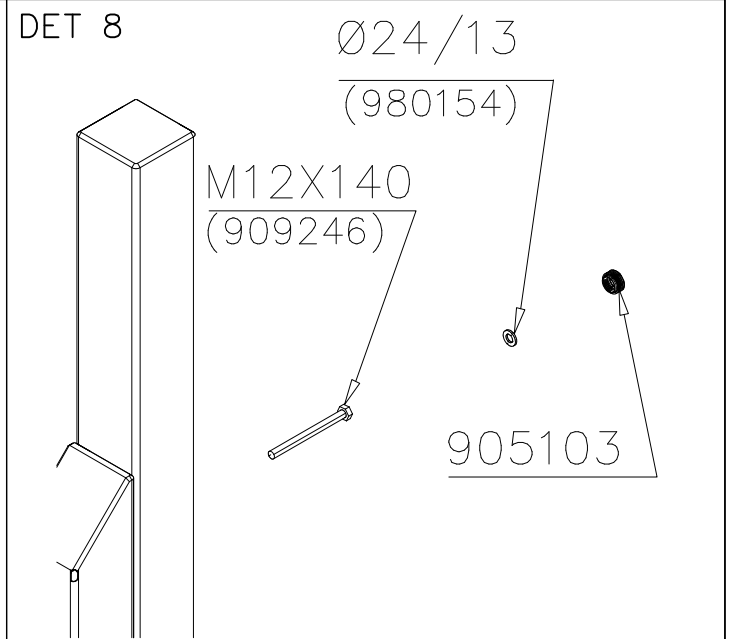
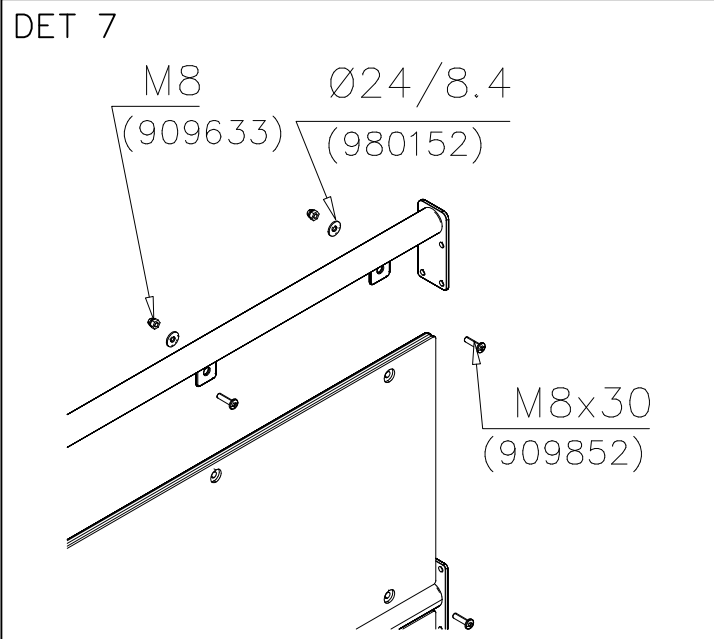


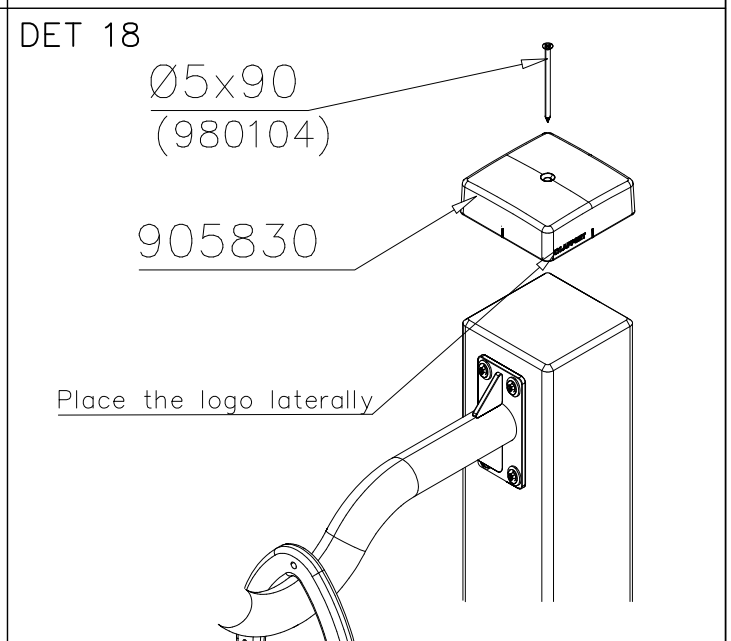
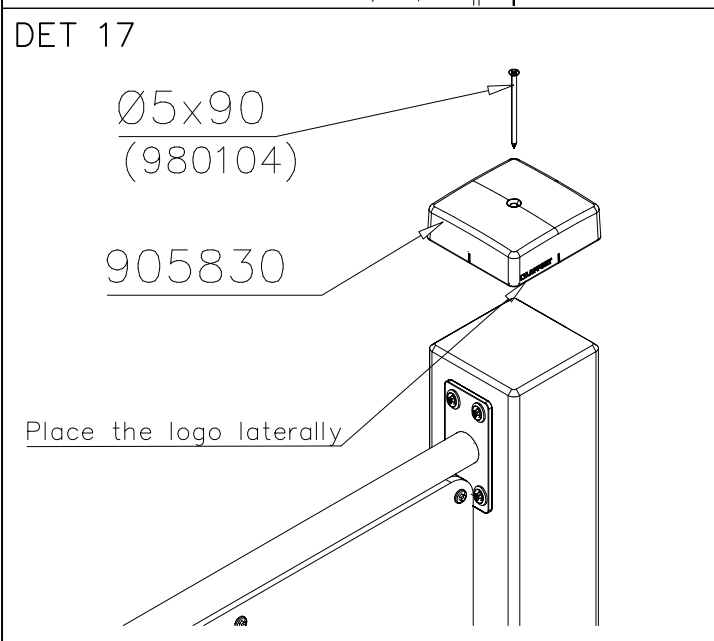
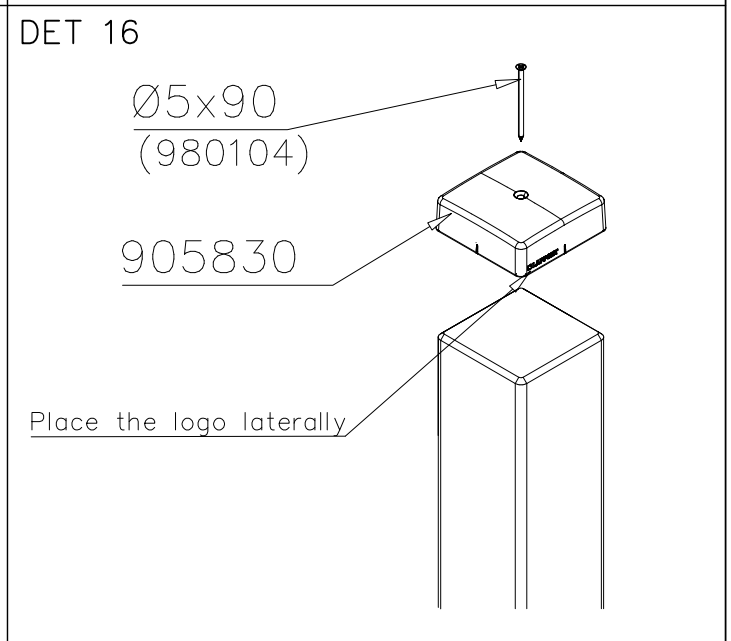
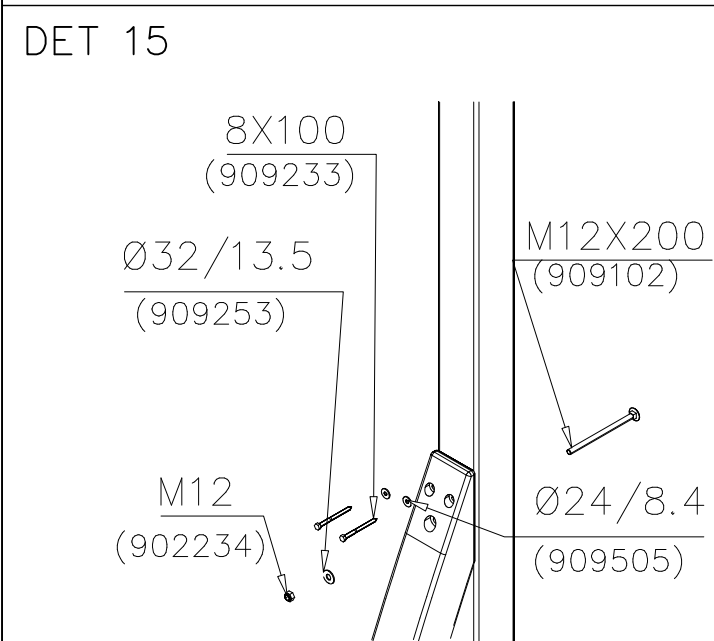
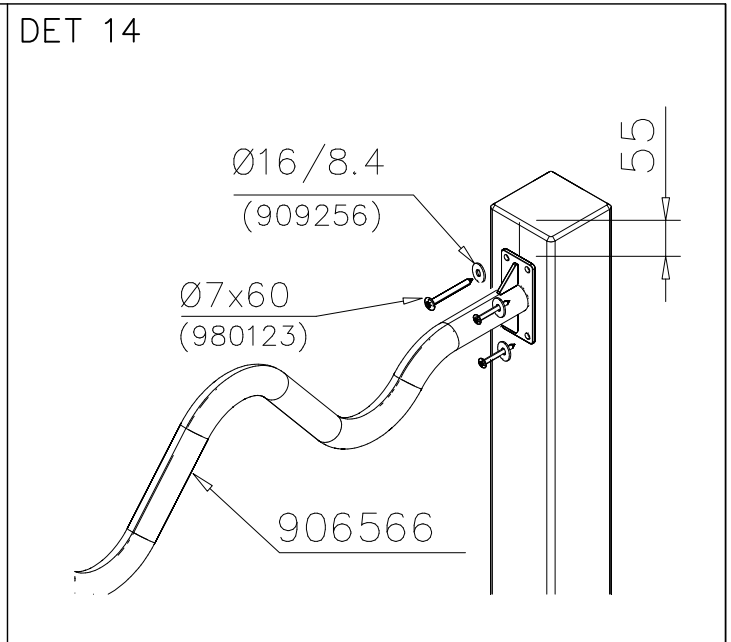
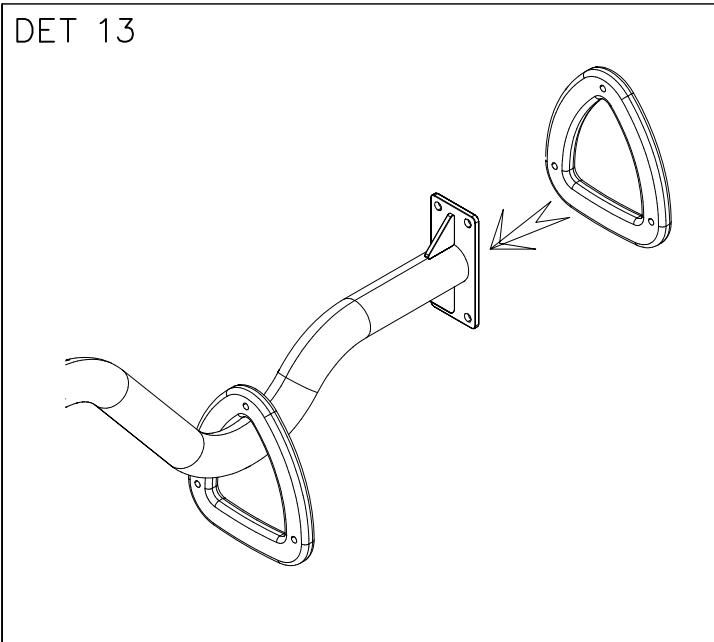
DET 5

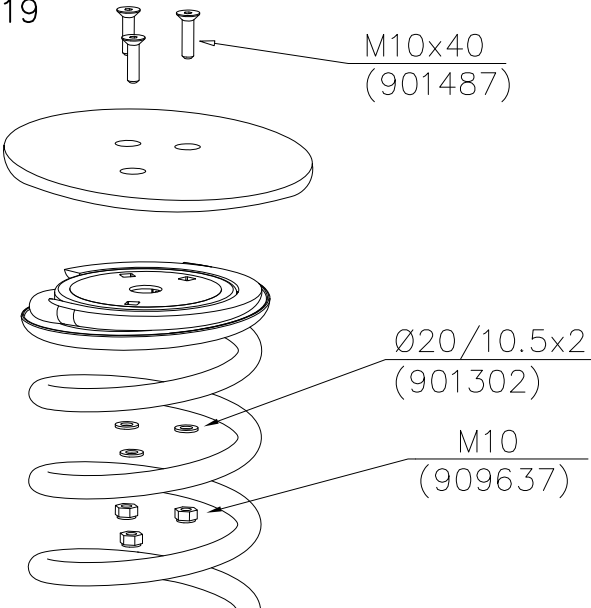
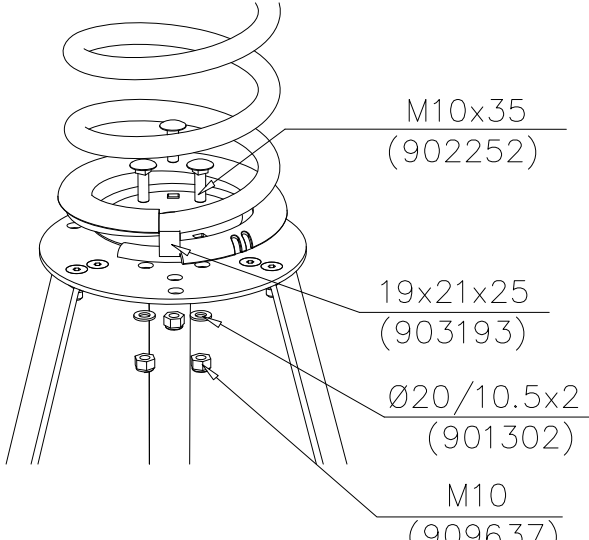
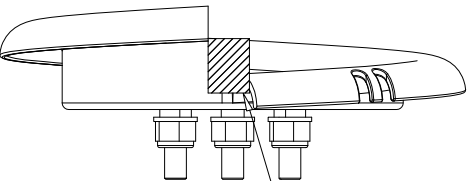
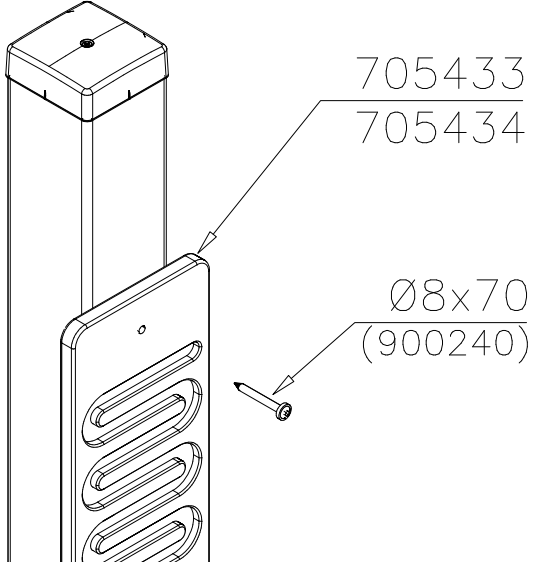
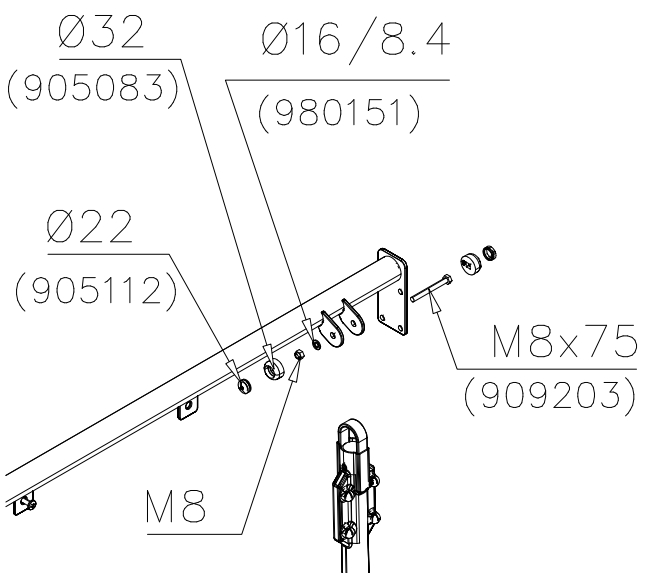



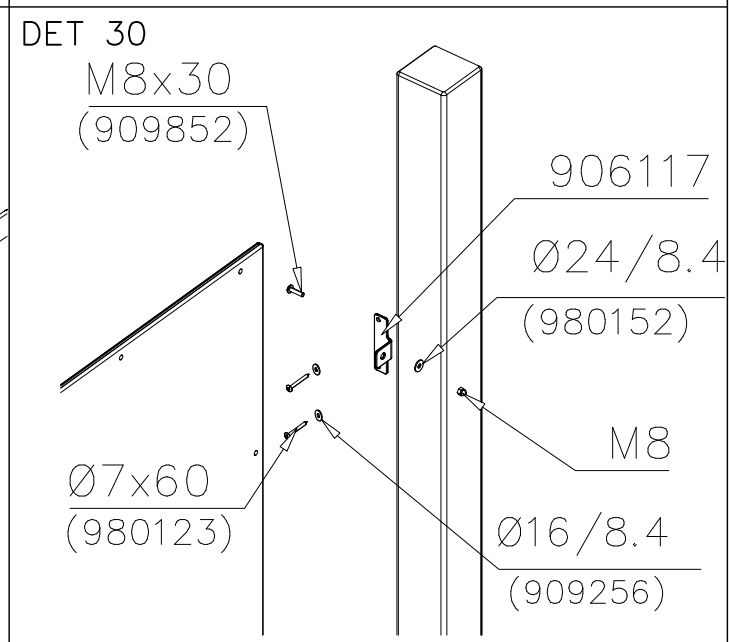
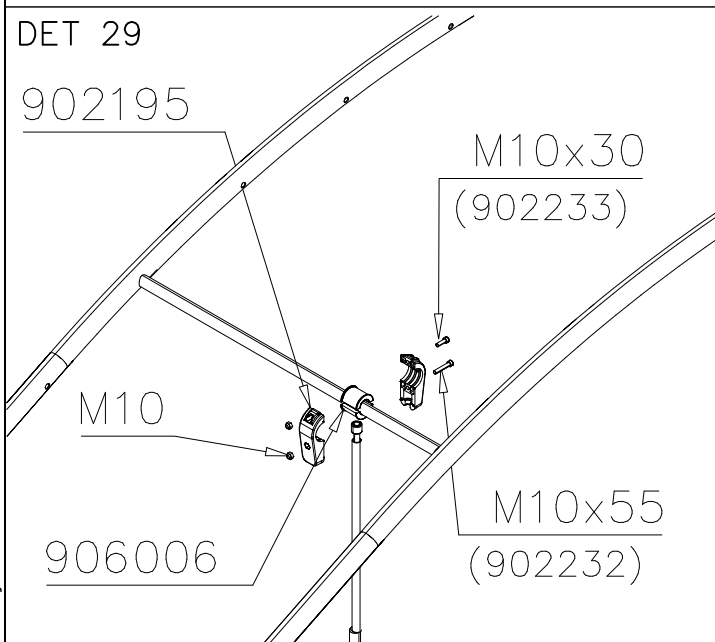
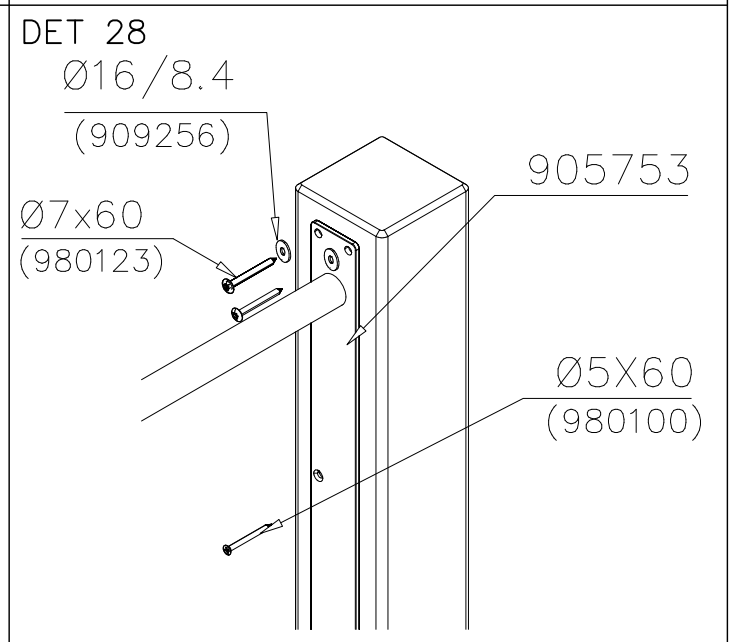
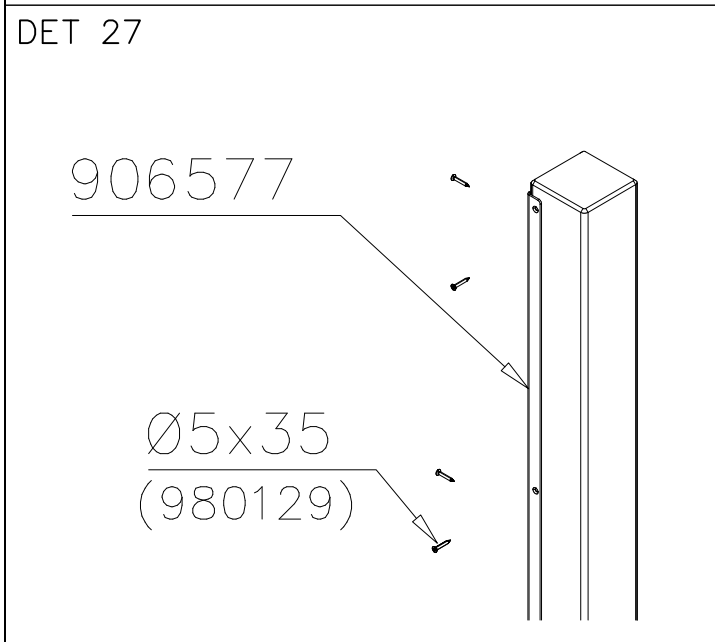
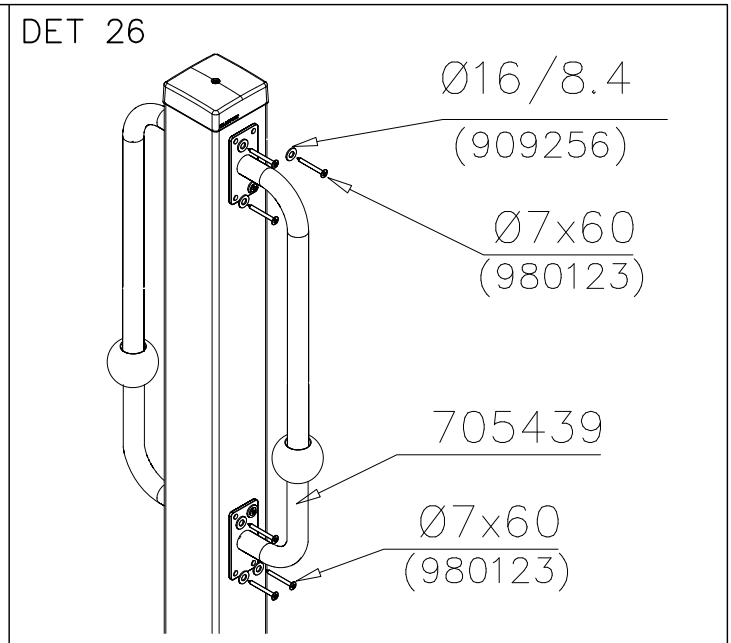
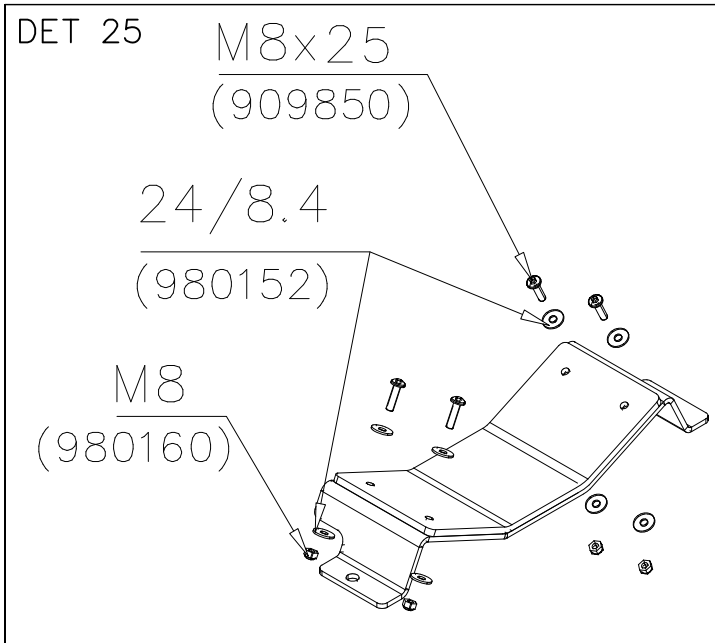
DET 6







<p>DET 19</p>  <p>M10x40 (901487)</p> <p>Ø20/10.5x2 (901302)</p> <p>M10 (909637)</p>	<p>DET 20</p>  <p>M10x35 (902252)</p> <p>19x21x25 (903193)</p> <p>Ø20/10.5x2 (901302)</p> <p>M10 (909637)</p>
<p>DET 21</p>  <p>Muoviosan sijoitus (903193) Position of the plastic piece</p>	<p>DET 22</p>  <p>705433 705434</p> <p>Ø8x70 (900240)</p>
<p>DET 23</p>  <p>Ø32 (905083)</p> <p>Ø16/8.4 (980151)</p> <p>Ø22 (905112)</p> <p>M8x75 (909203)</p> <p>M8</p>	<p>DET 24</p> 



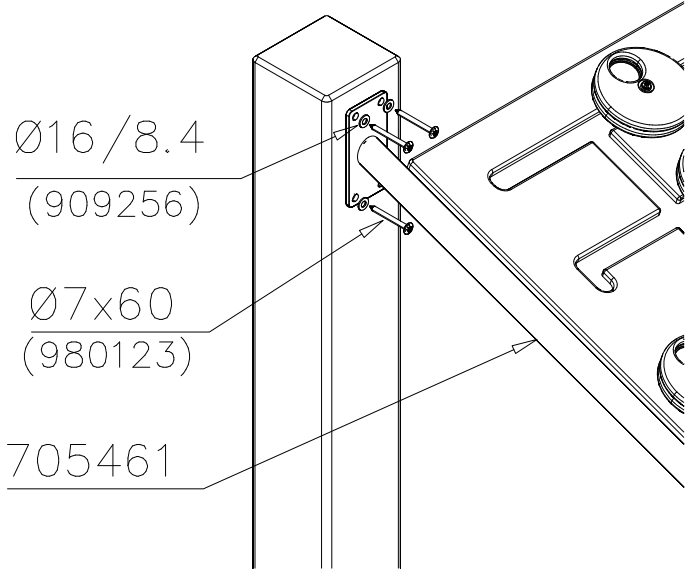
PARTS

SPORT

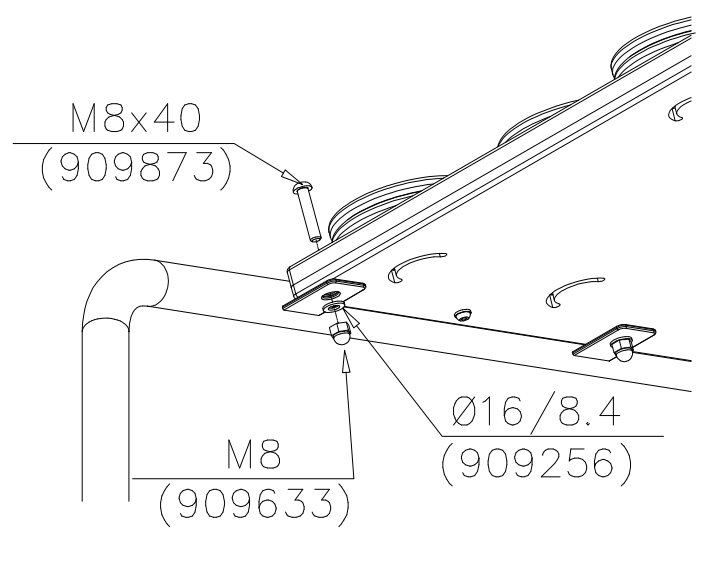
DATE: 26.8.2015

6(10)

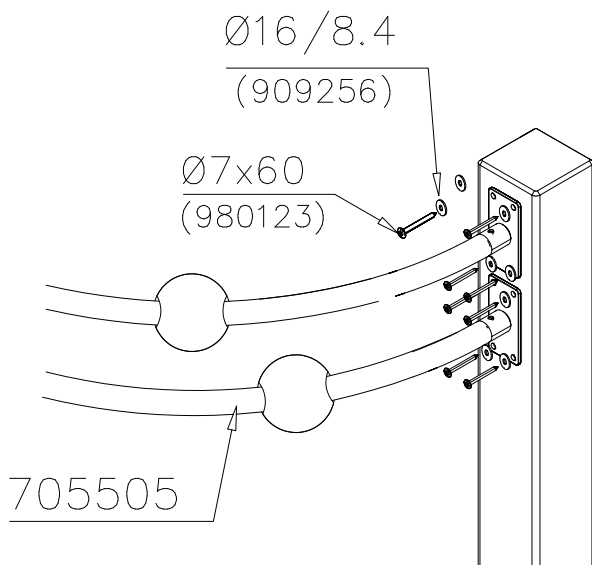
DET 31



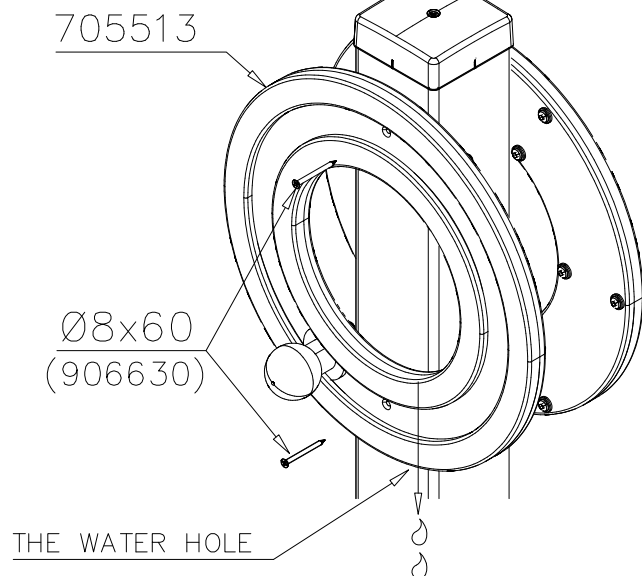
DET 32



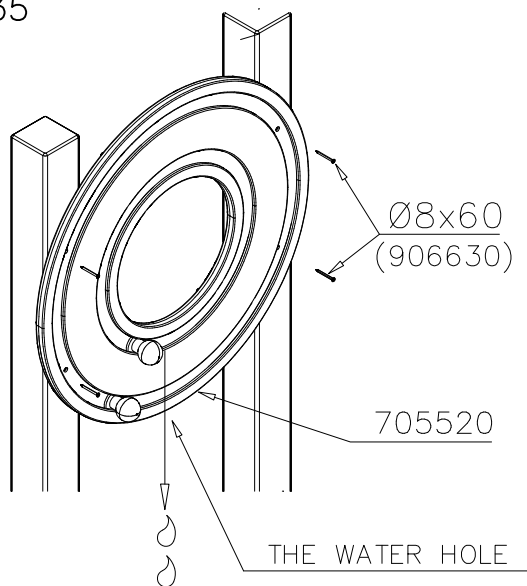
DET 33



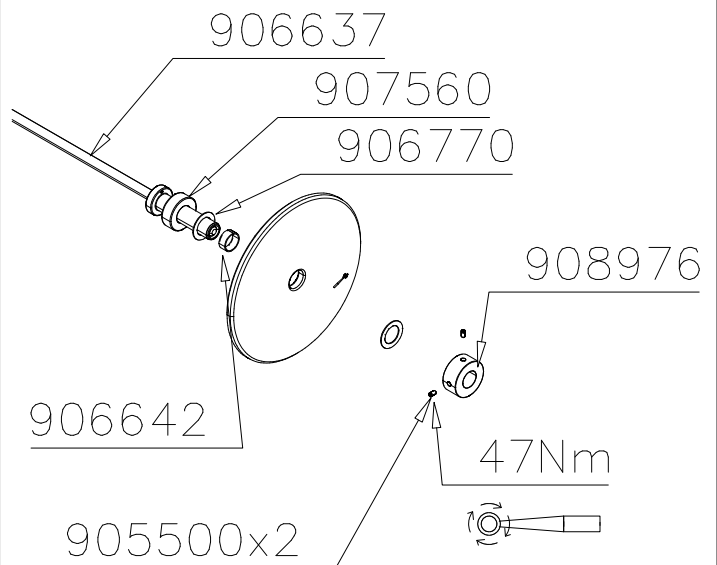
DET 34

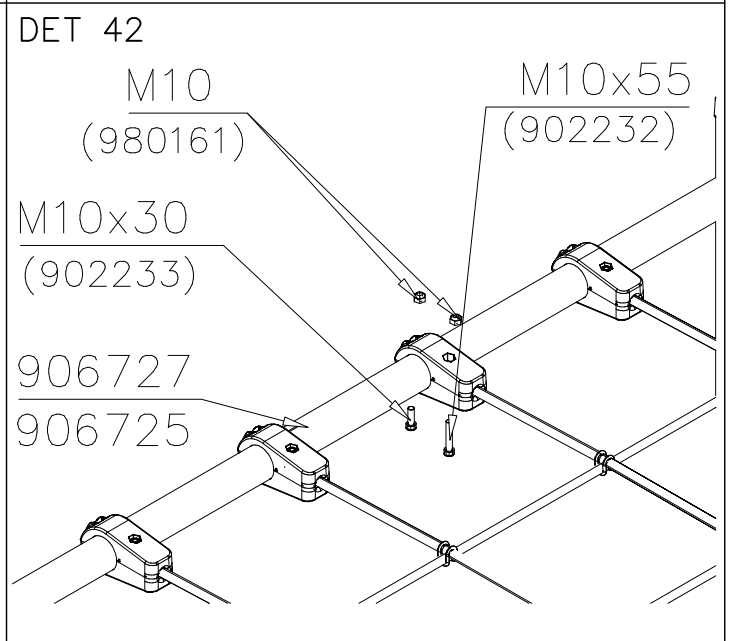
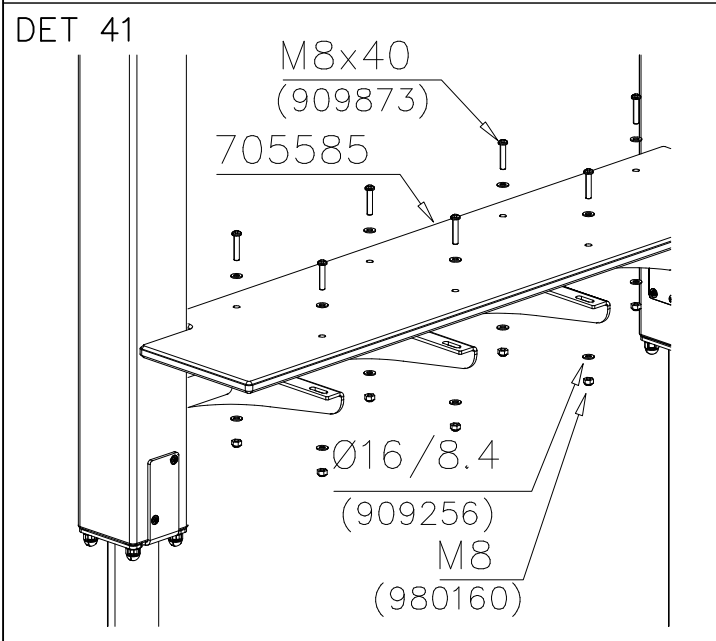
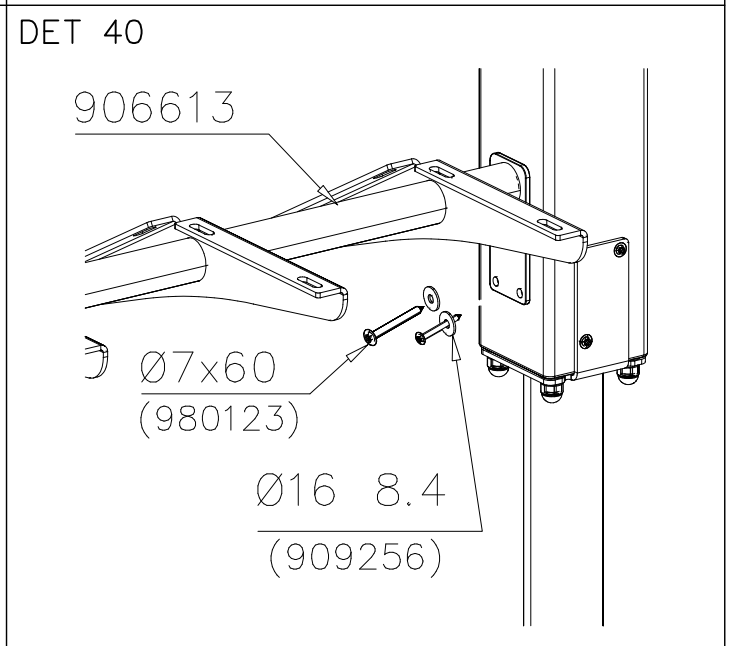
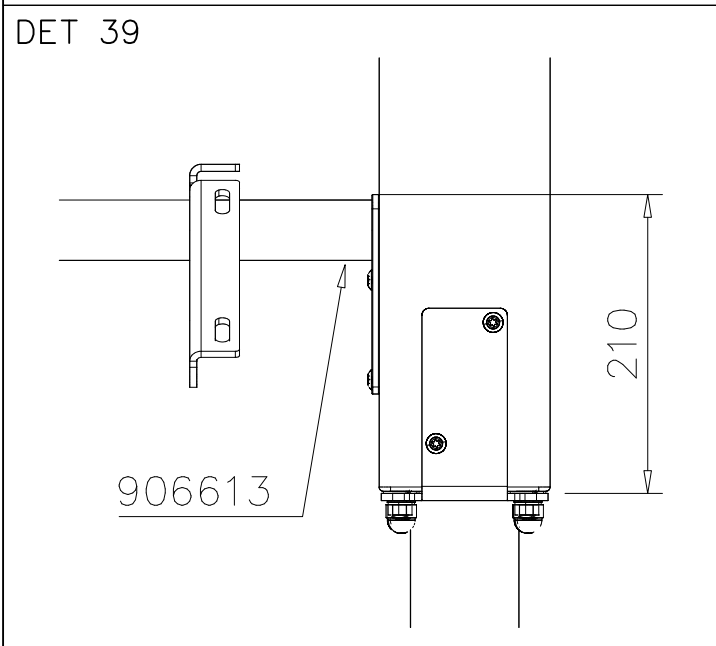
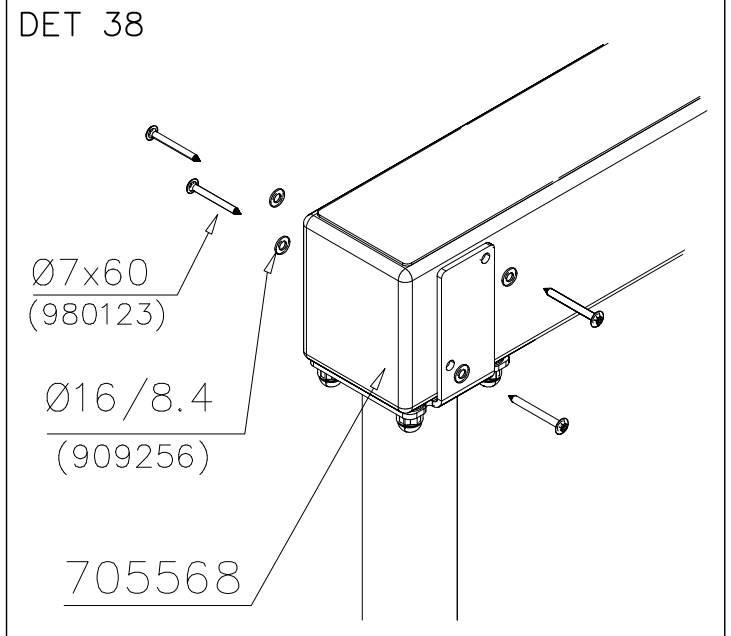
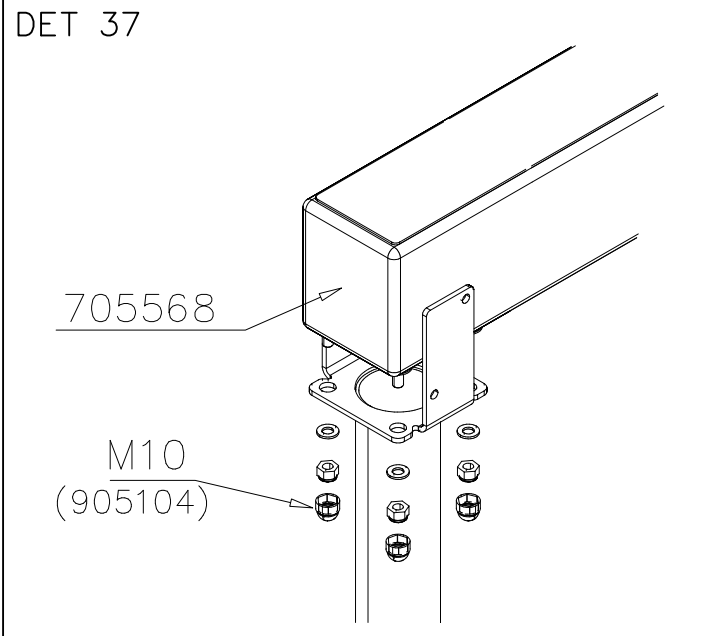


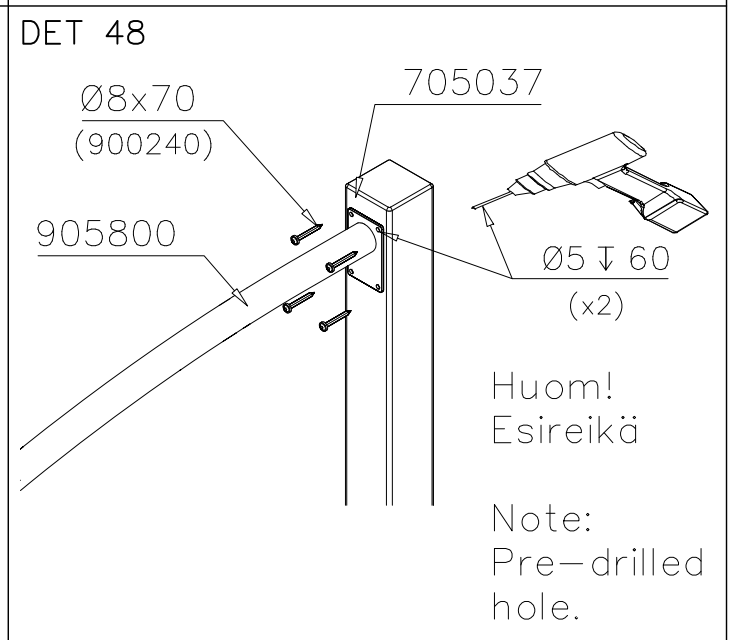
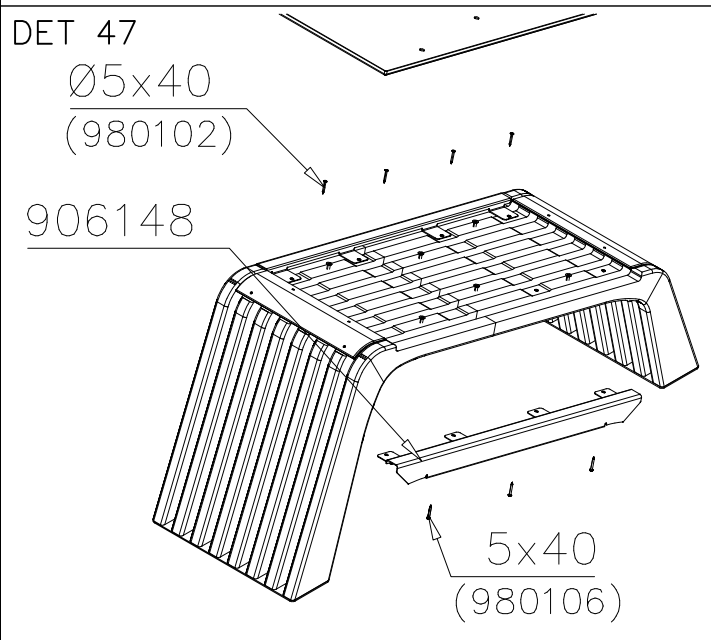
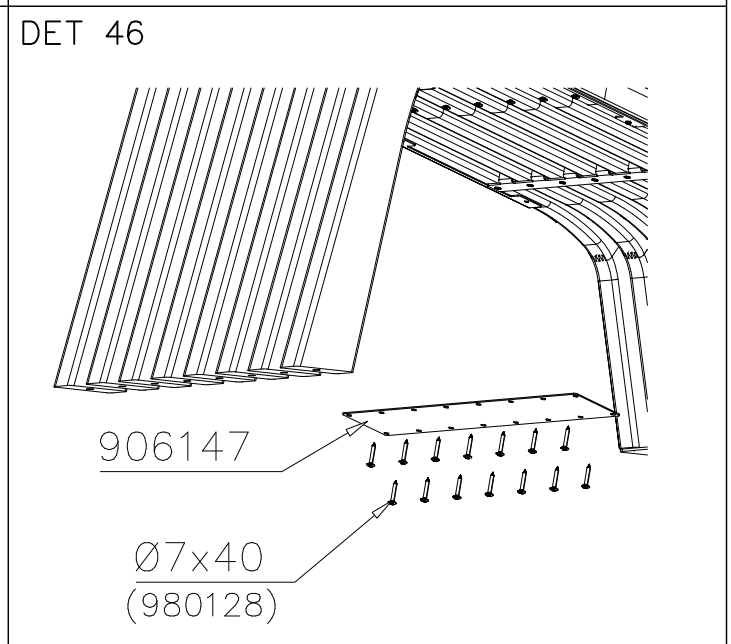
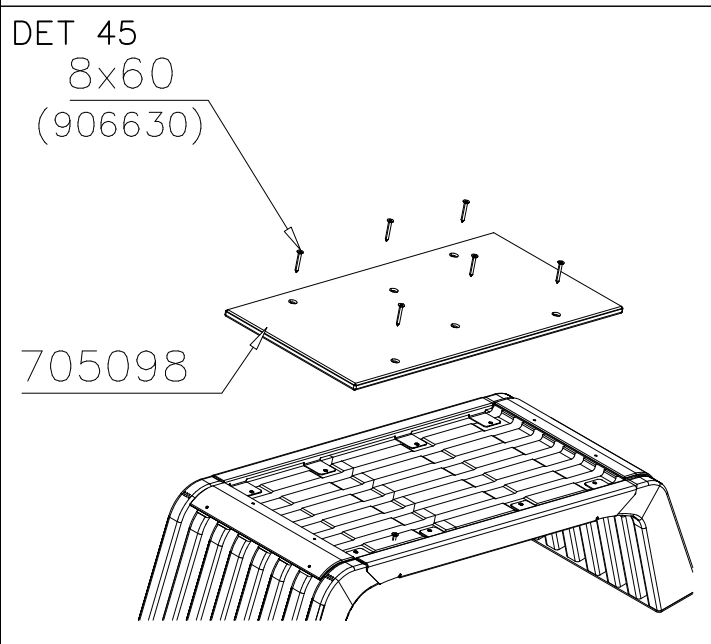
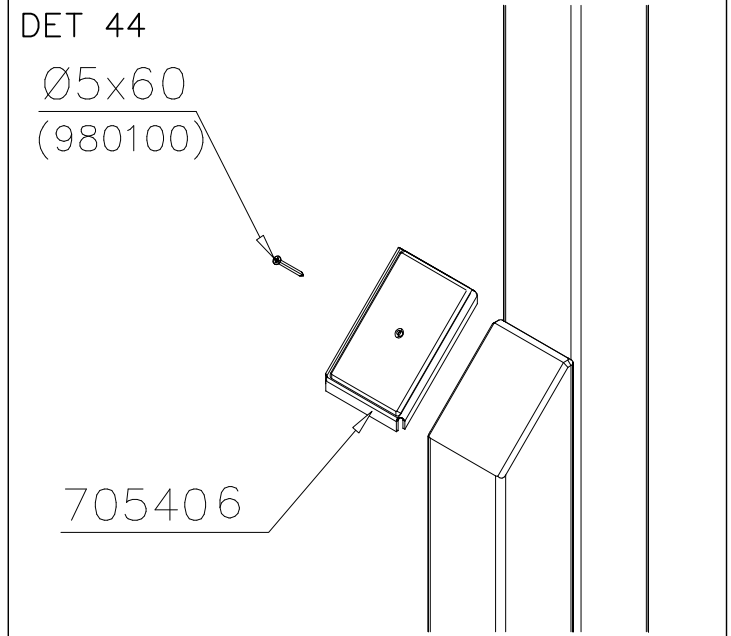
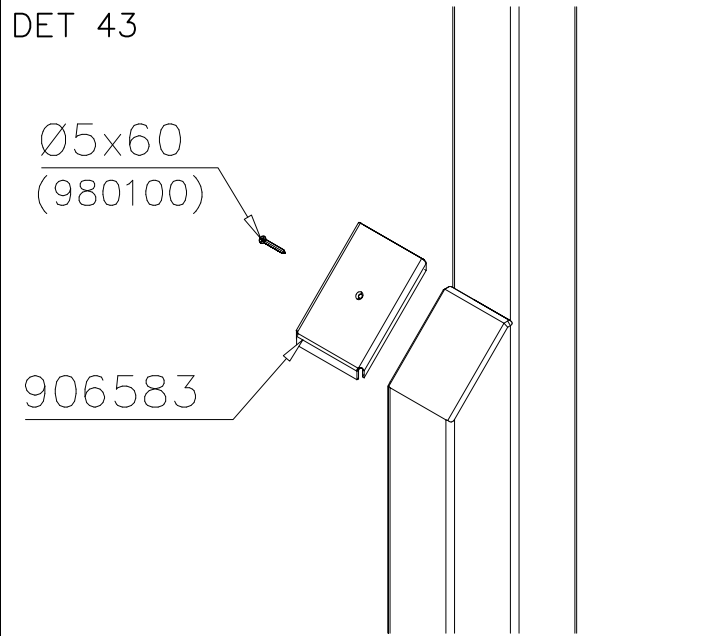
DET 35

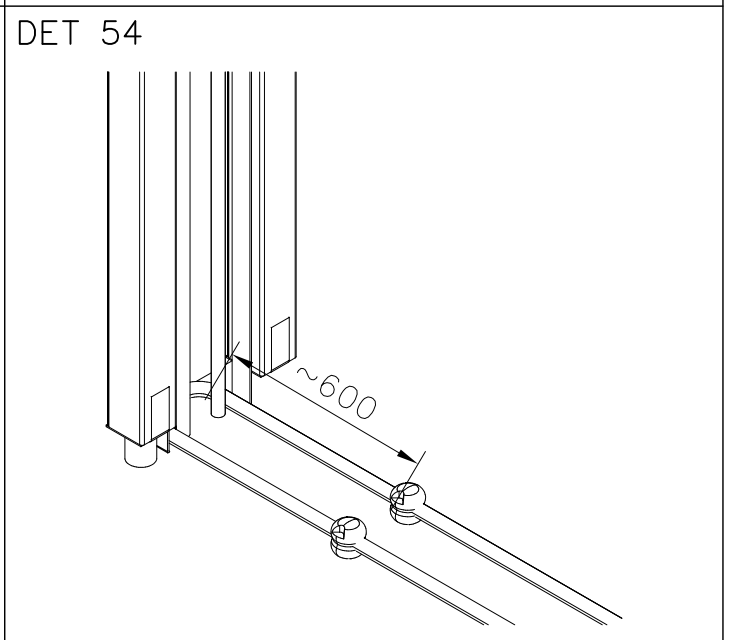
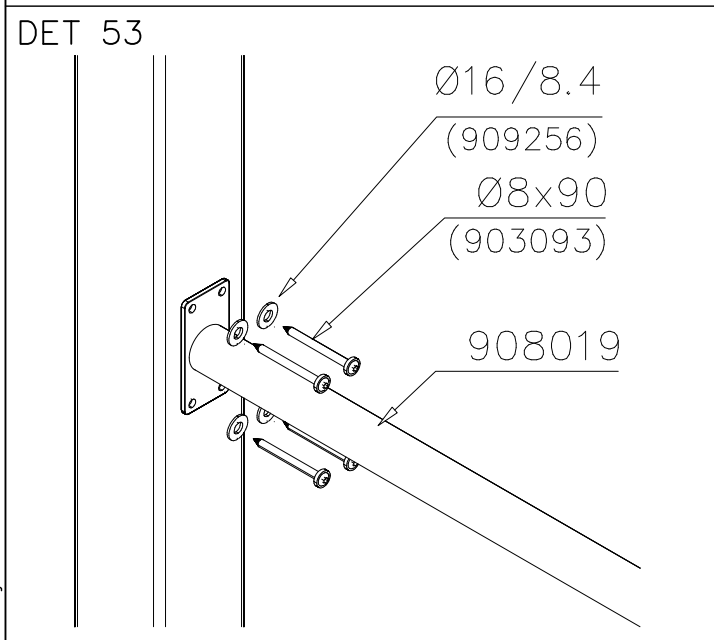
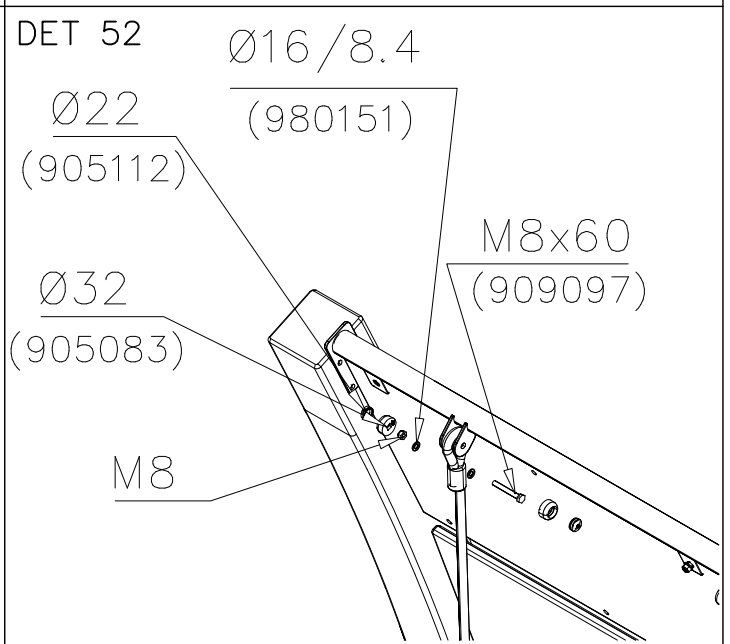
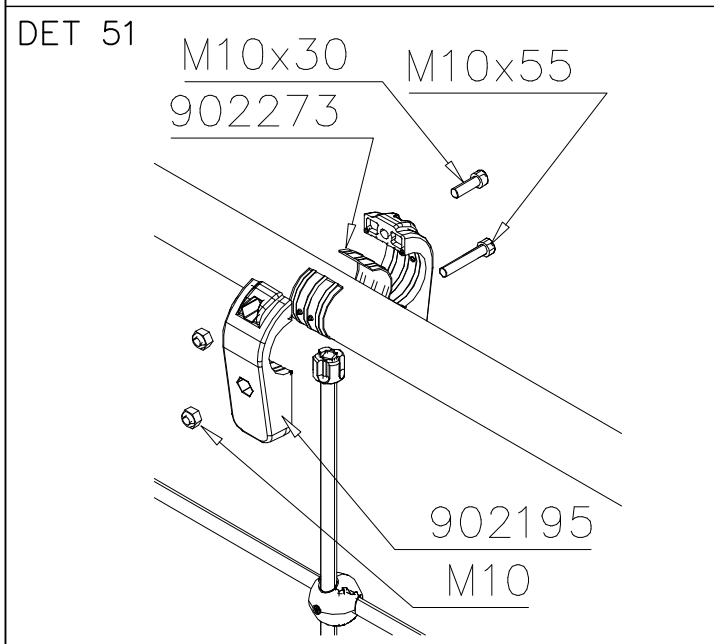
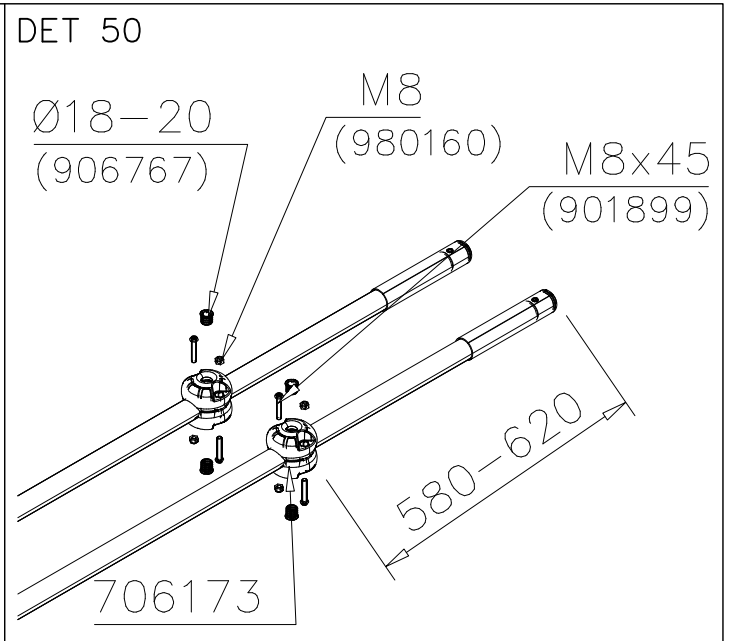
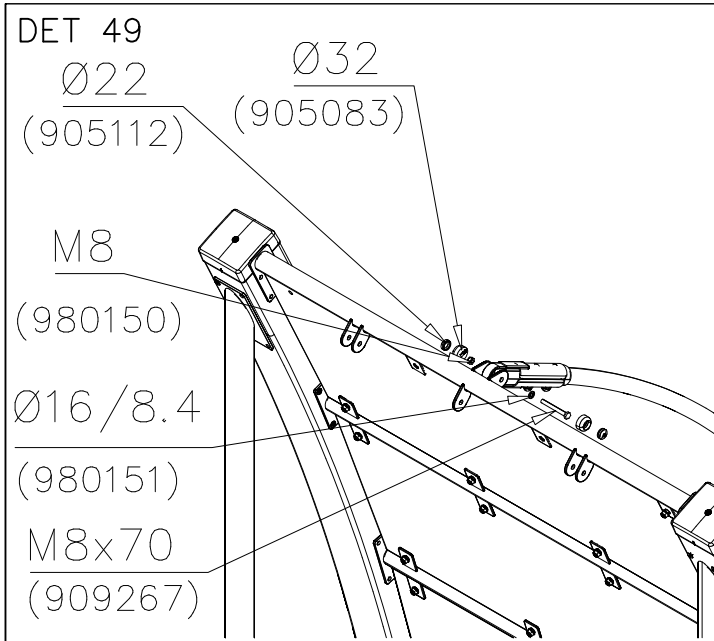


DET 36

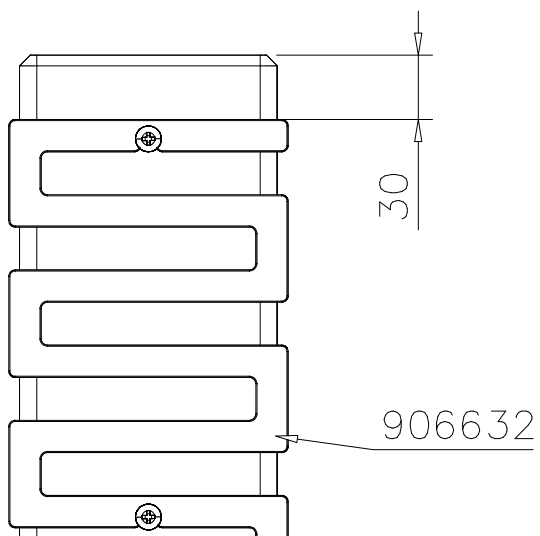




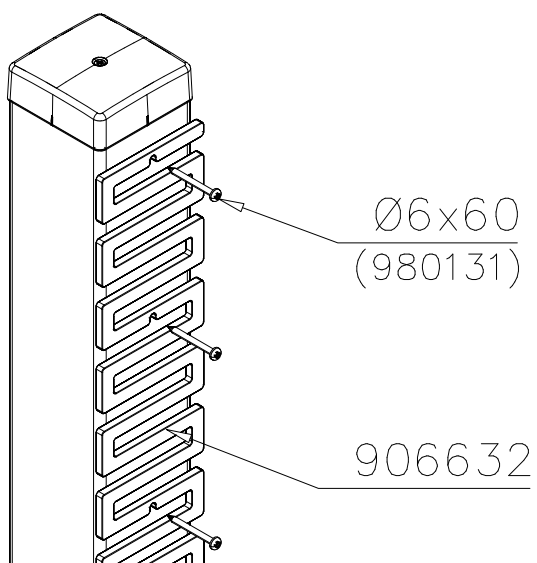




DET 55



DET 56



DET 57

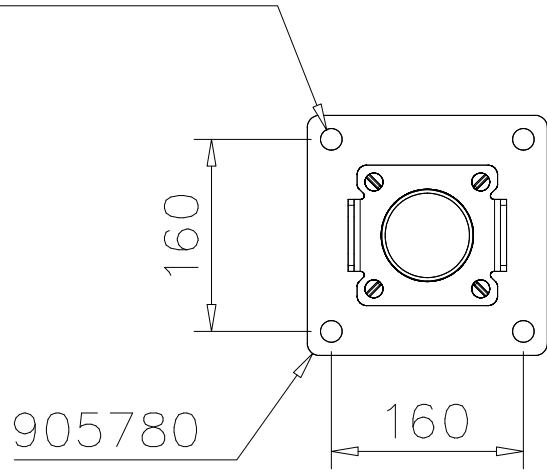
DET 58

DET 59

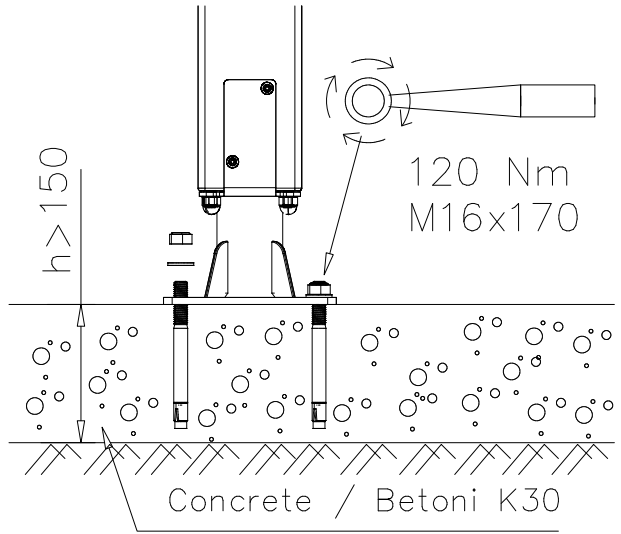
DET 60

DET 1

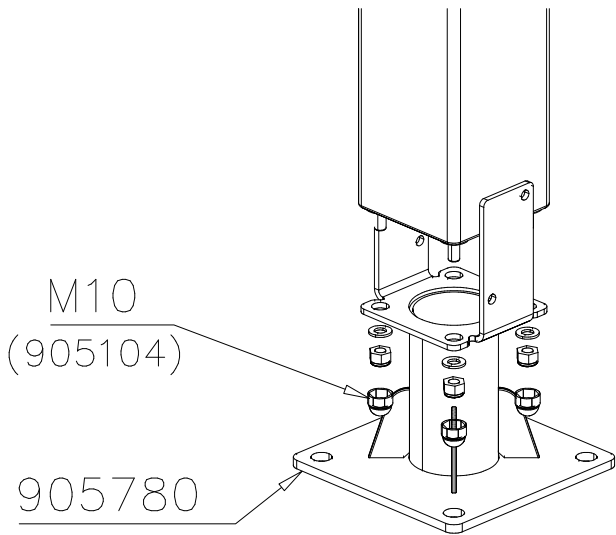
$\varnothing 16 \downarrow > 130$



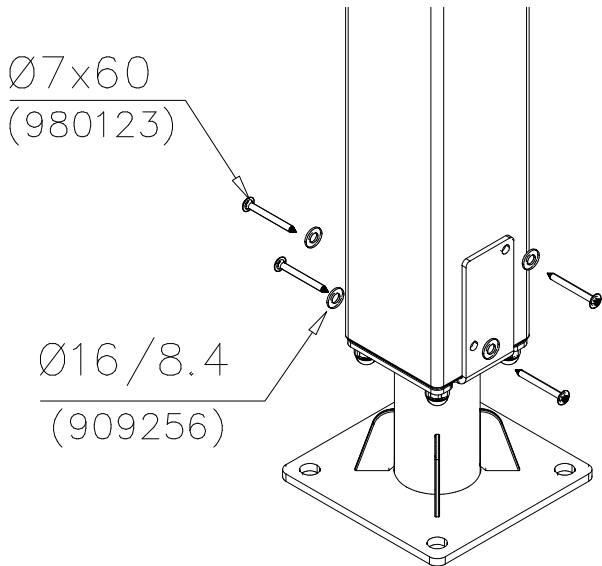
DET 2



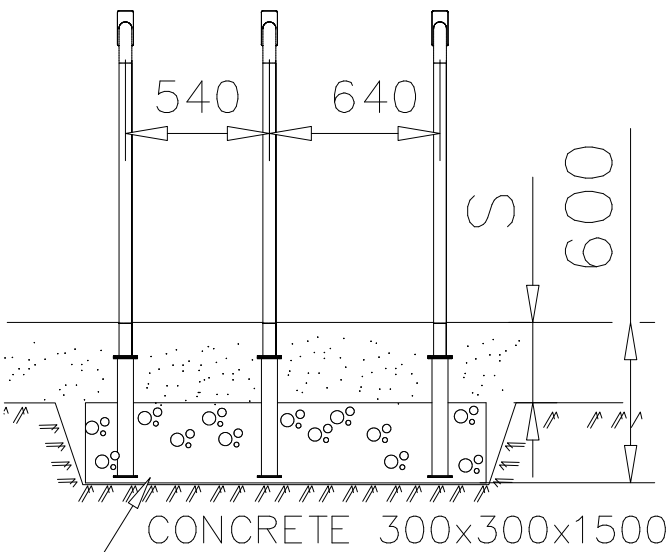
DET 3



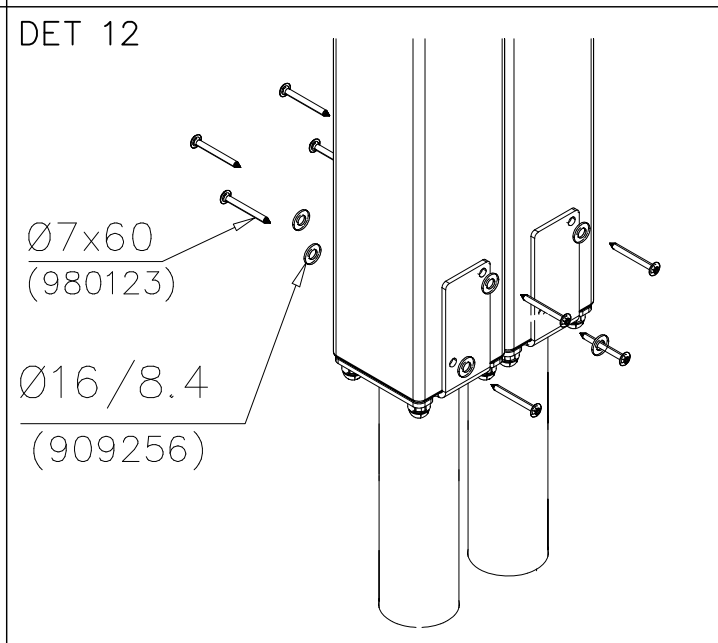
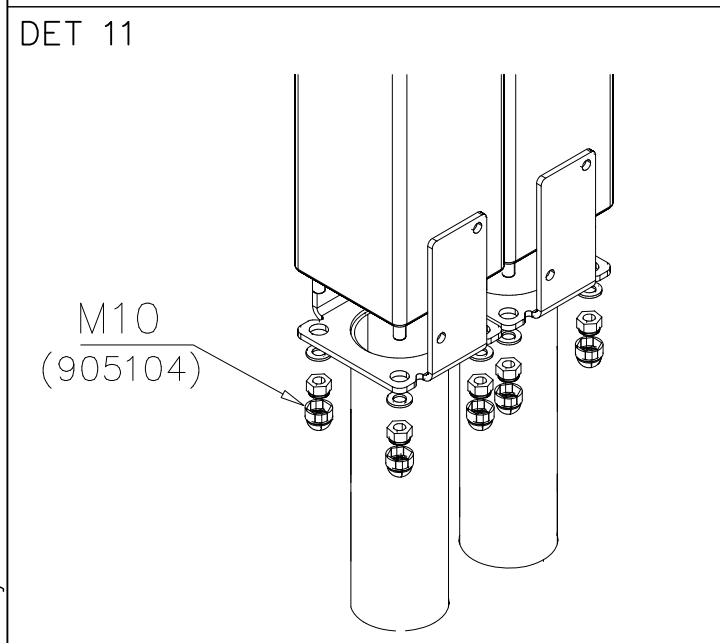
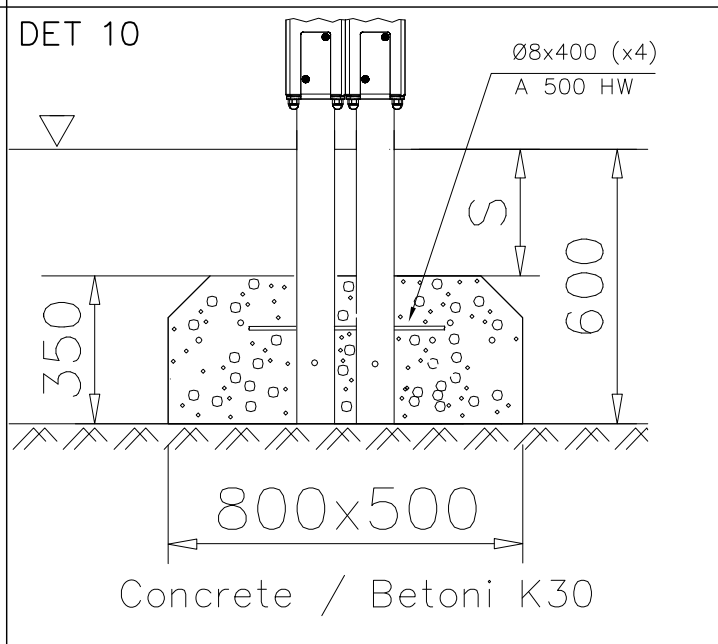
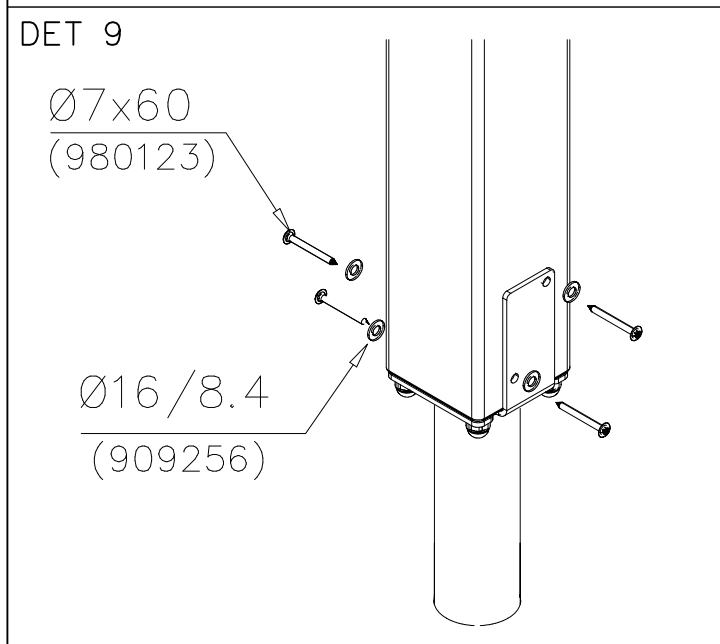
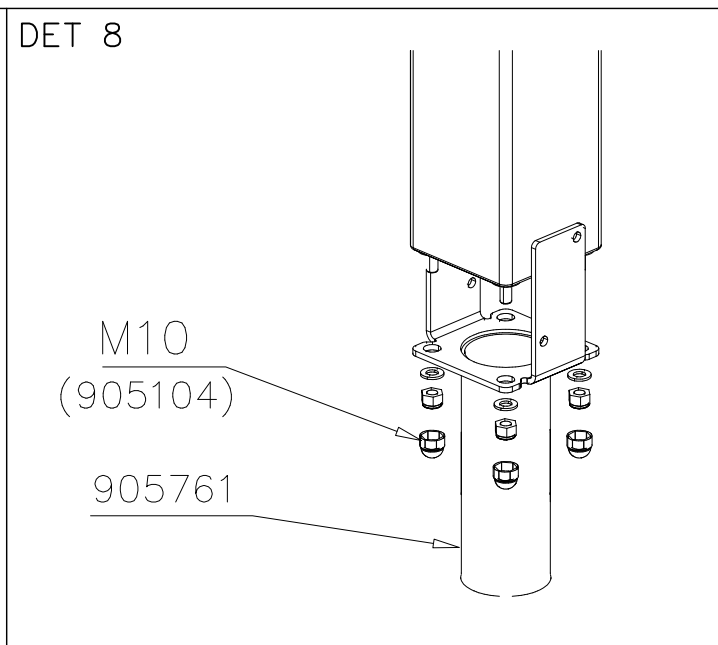
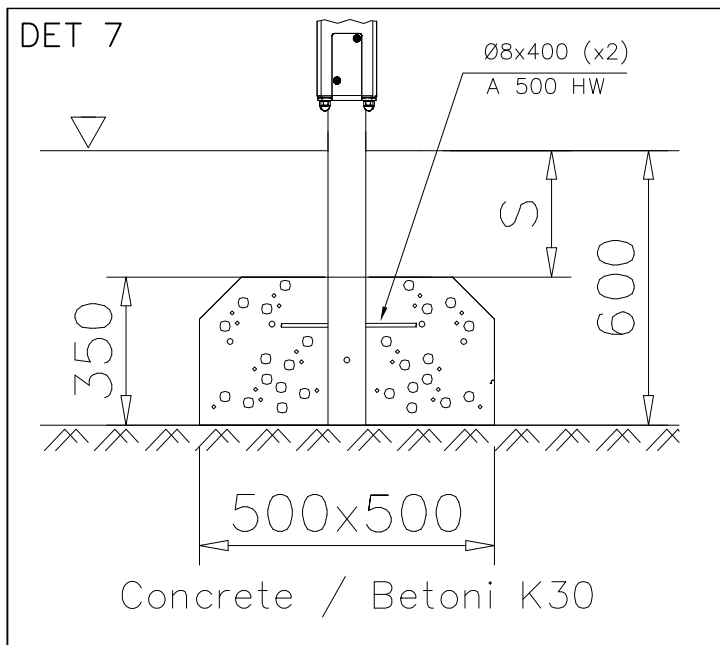
DET 4

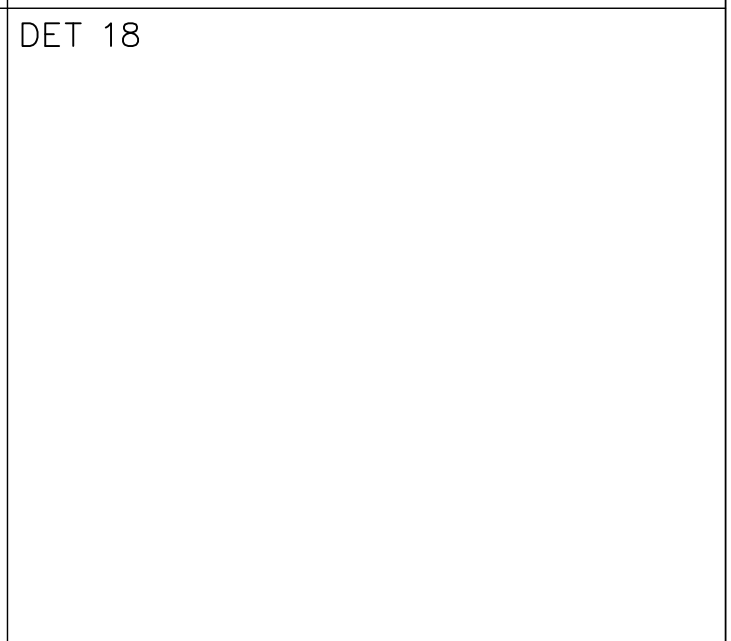
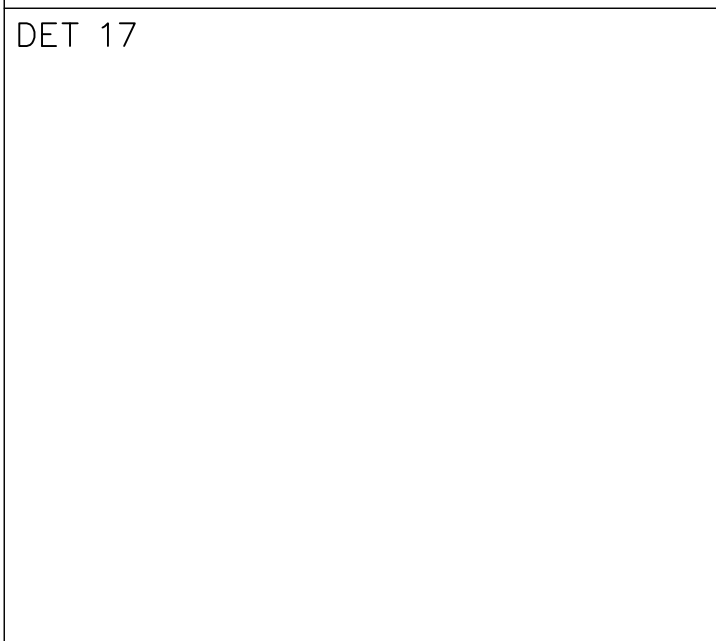
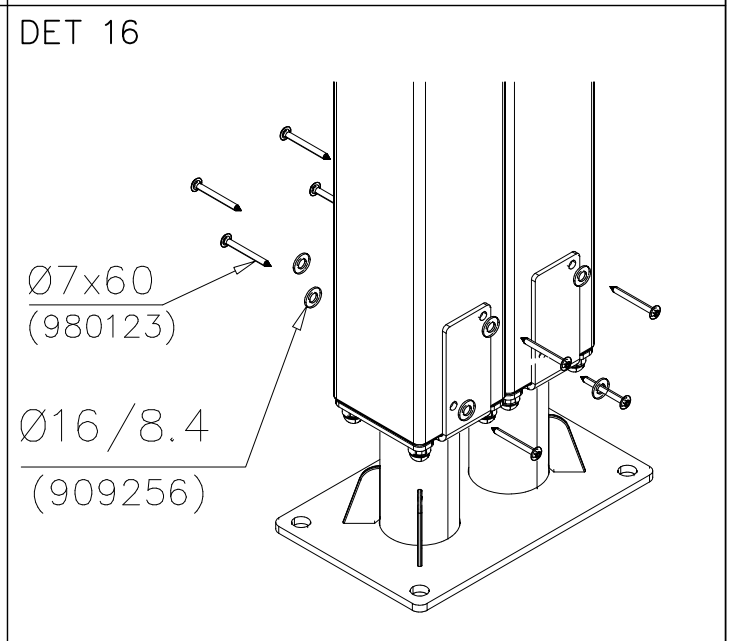
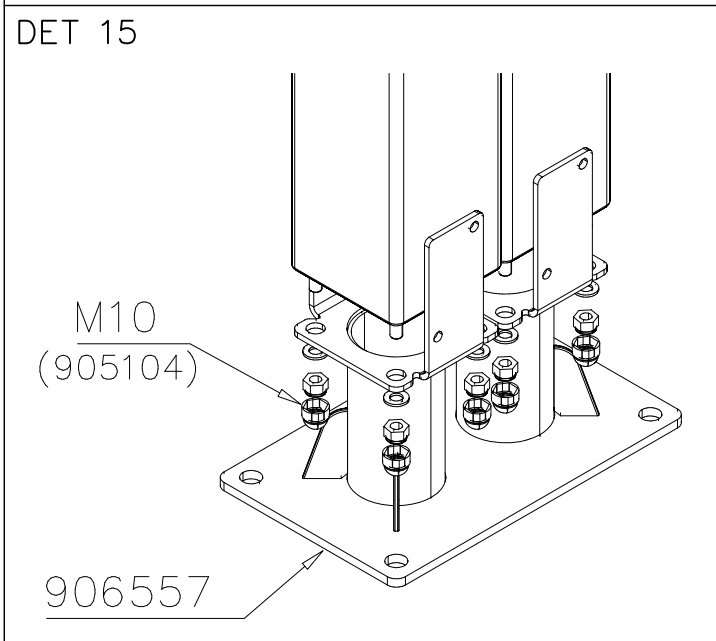
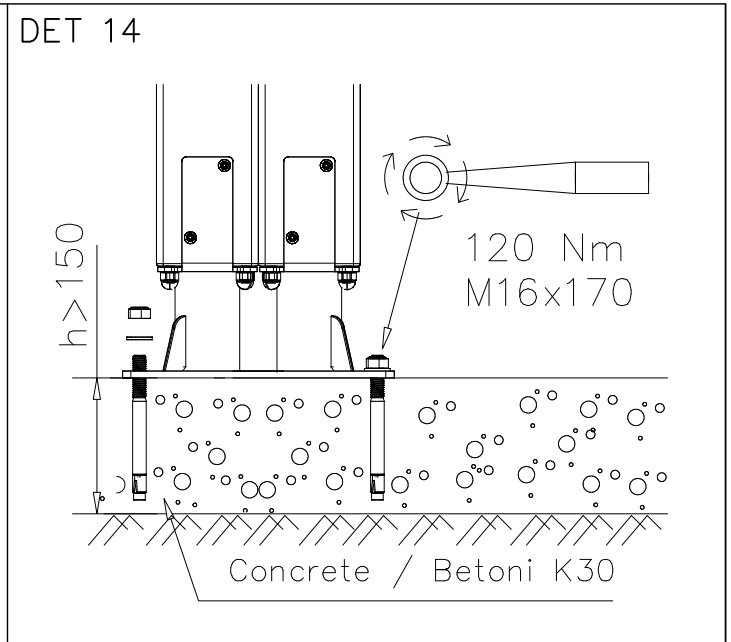
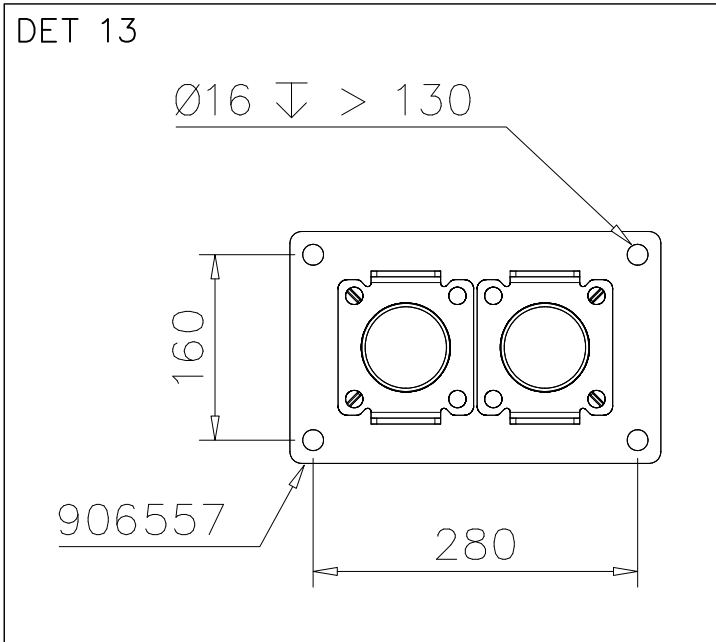


DET 5



DET 6





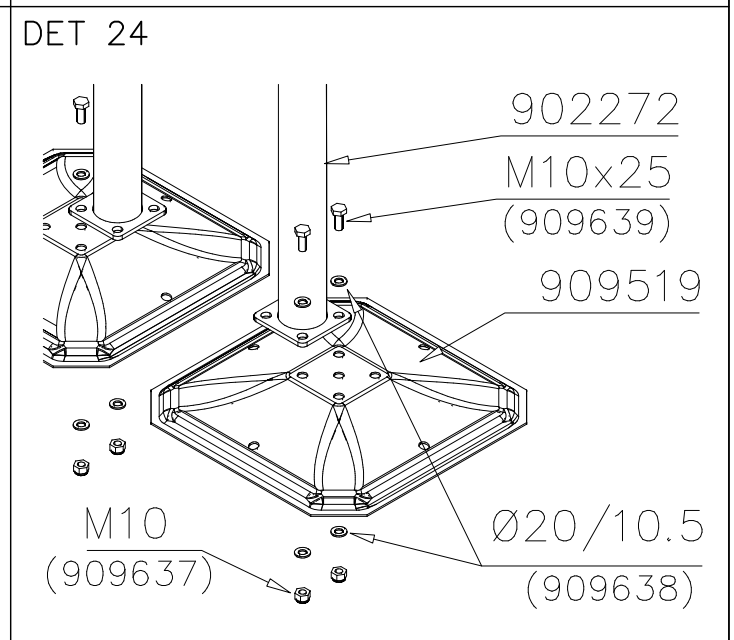
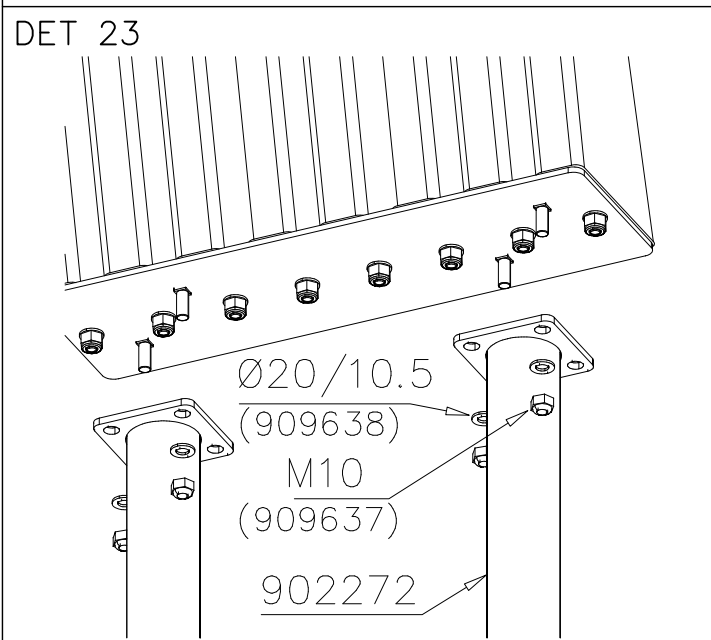
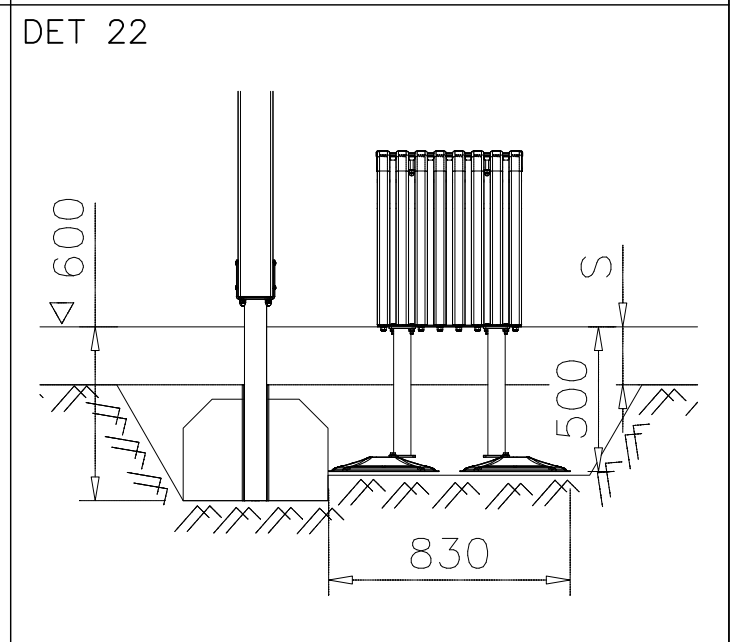
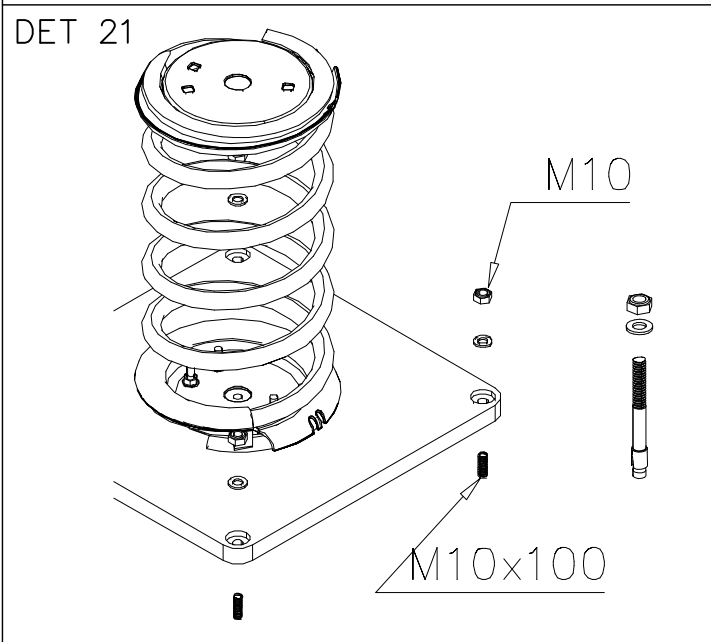
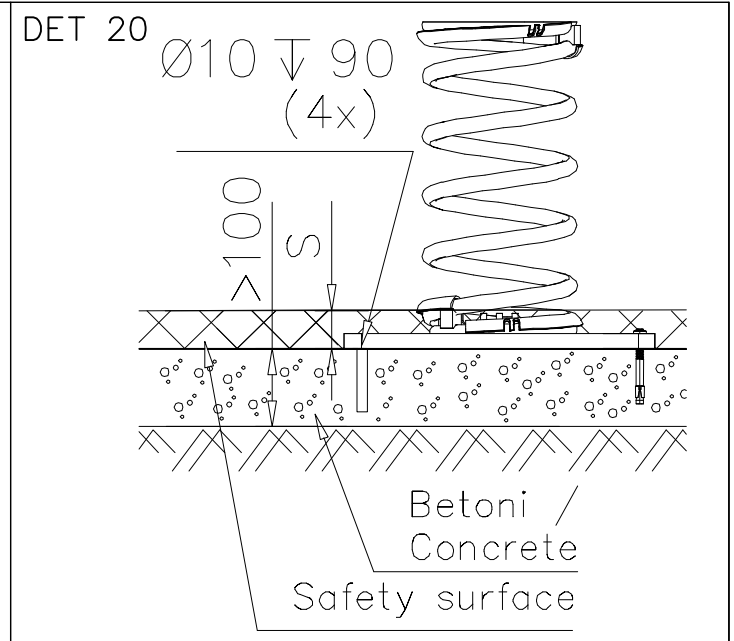
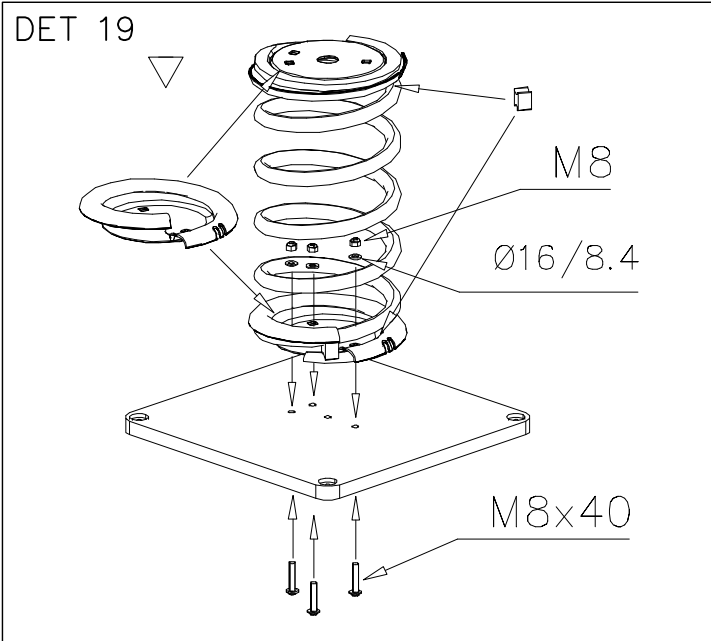
WINAM GROUP SPORT

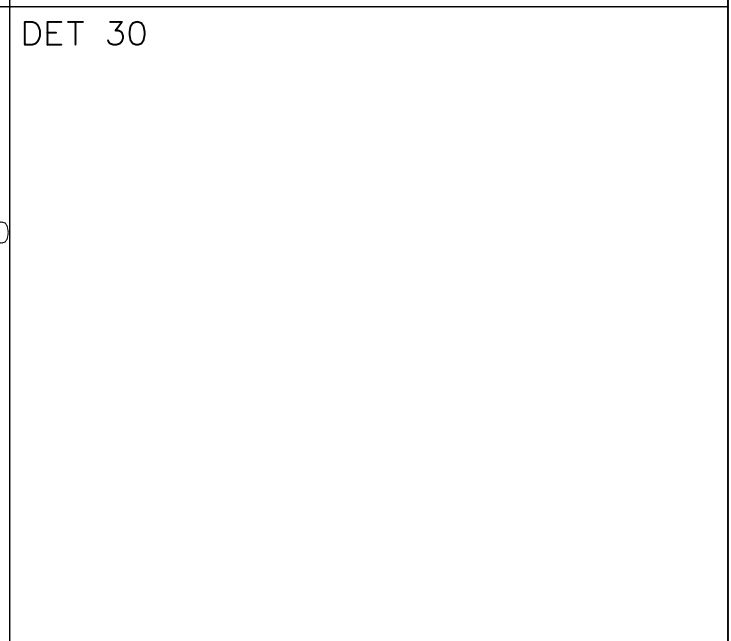
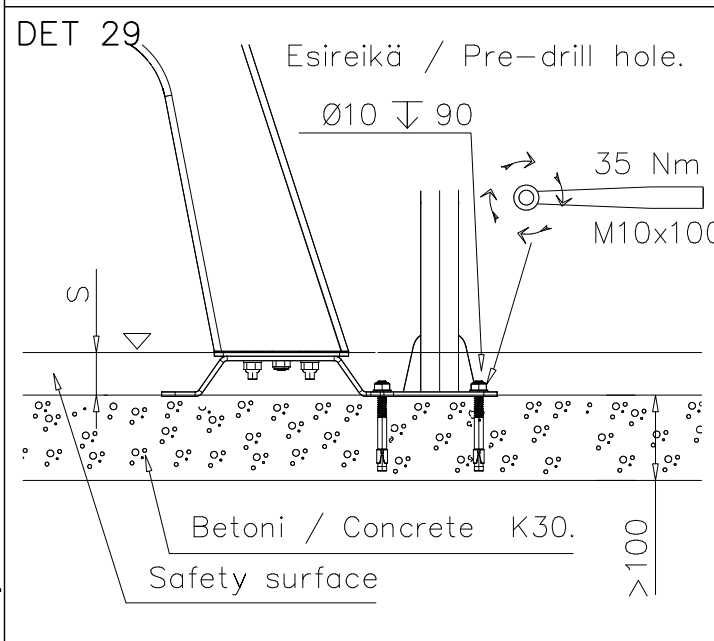
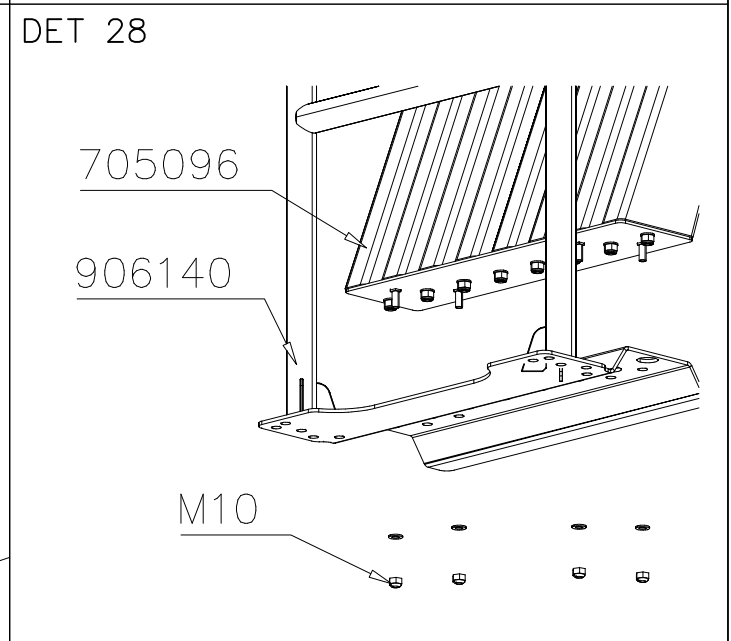
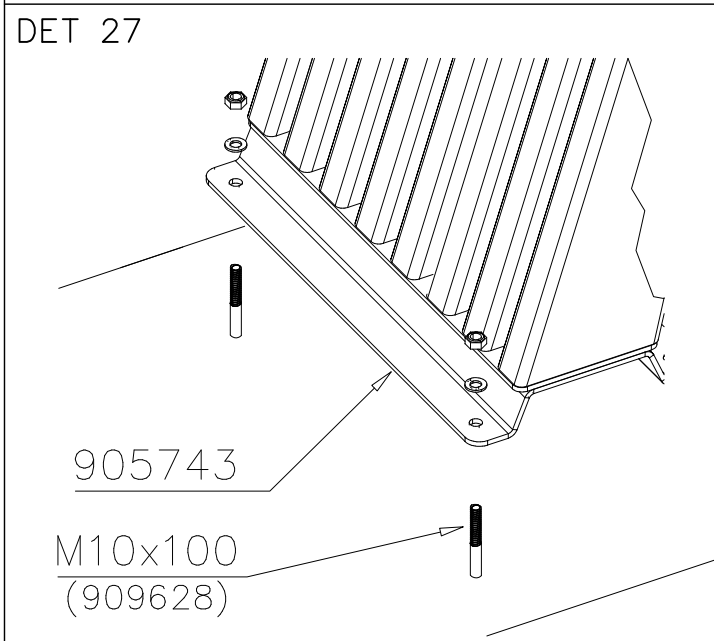
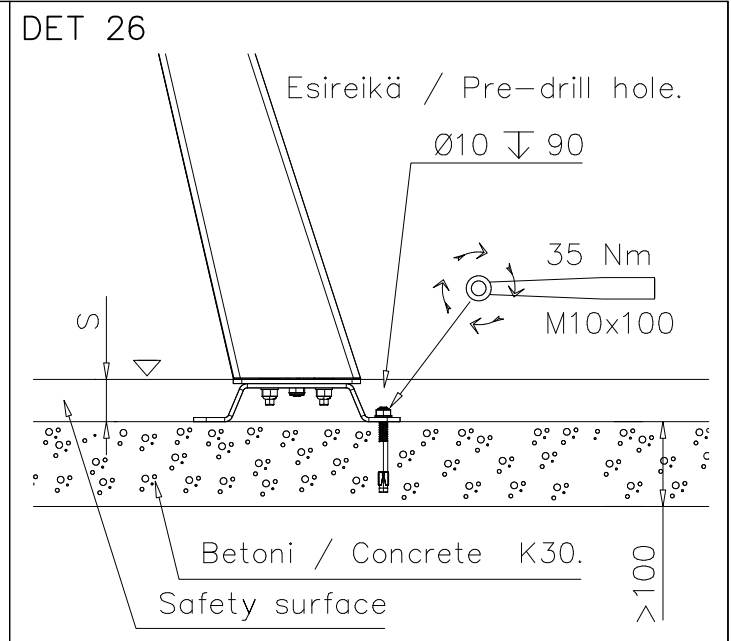
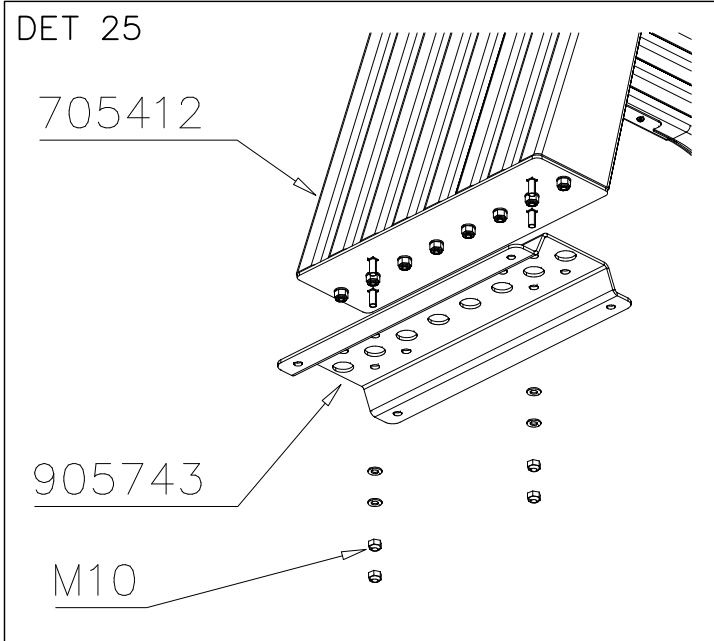
BASE

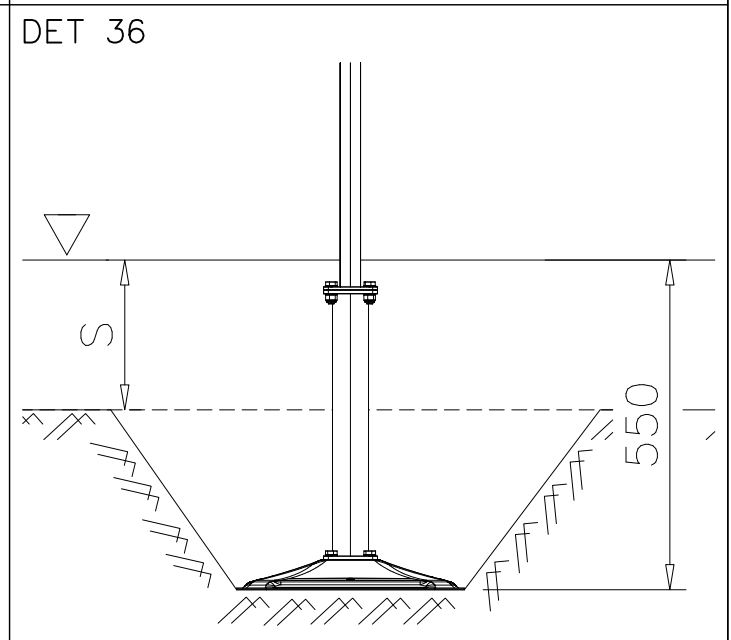
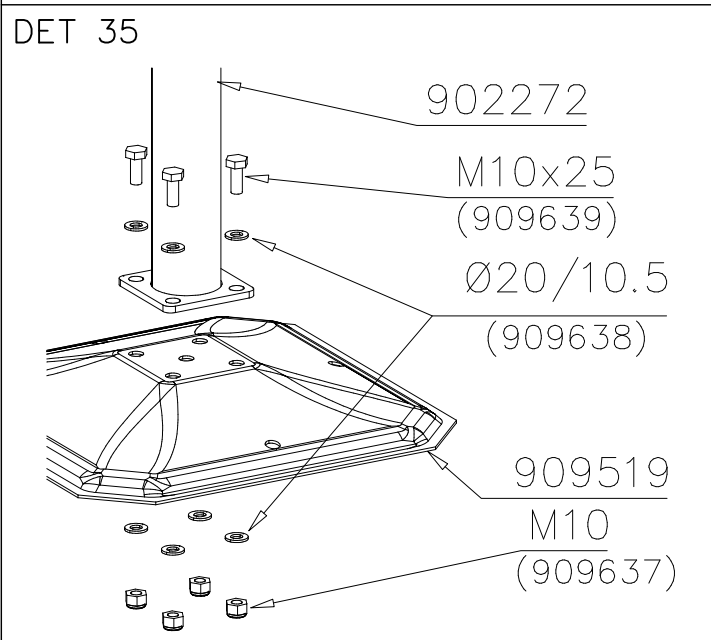
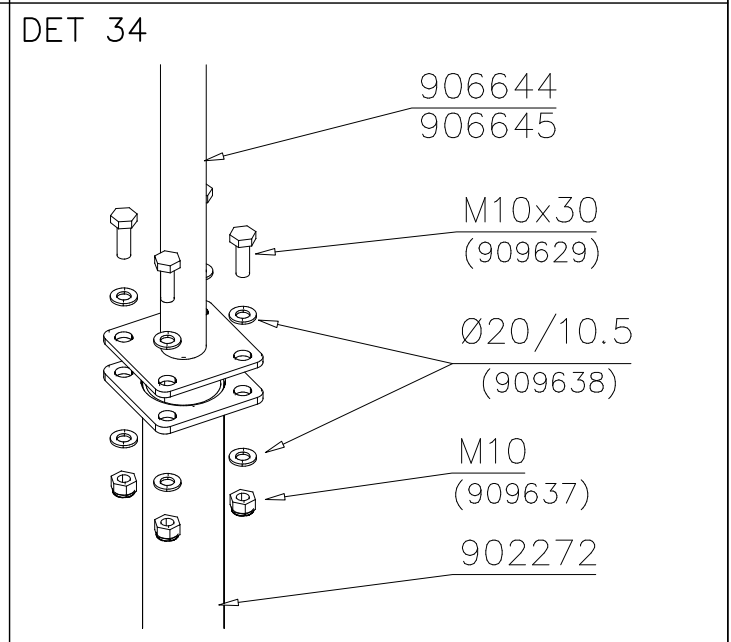
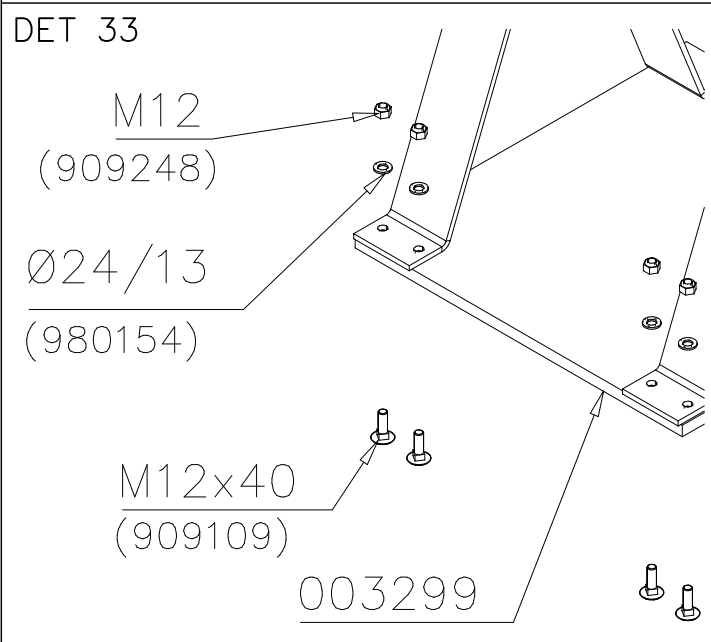
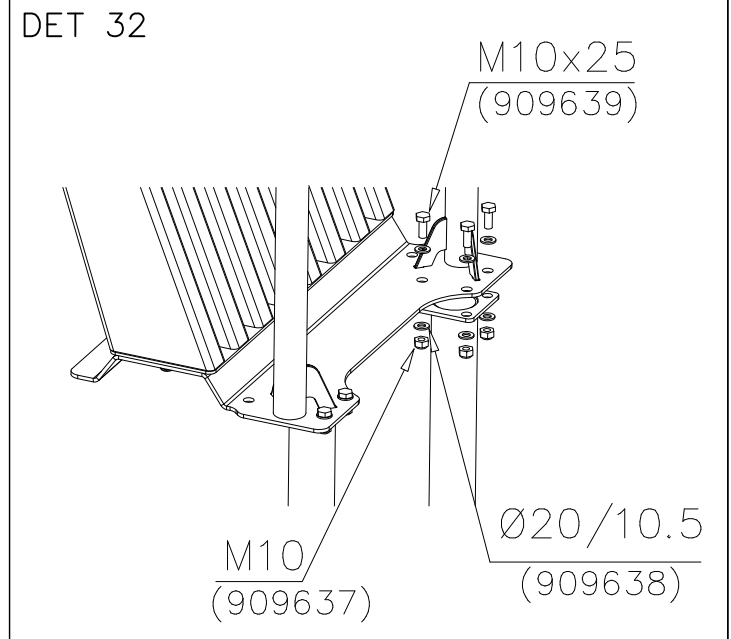
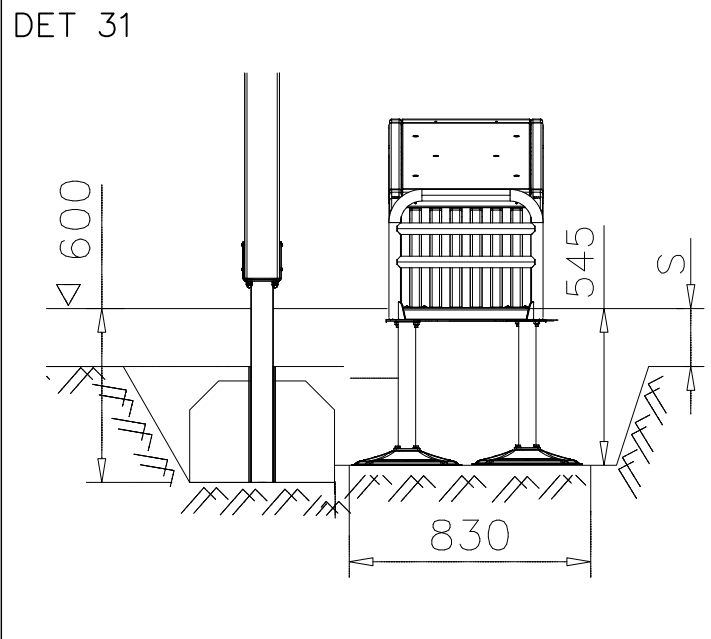


PLAY 4(10)

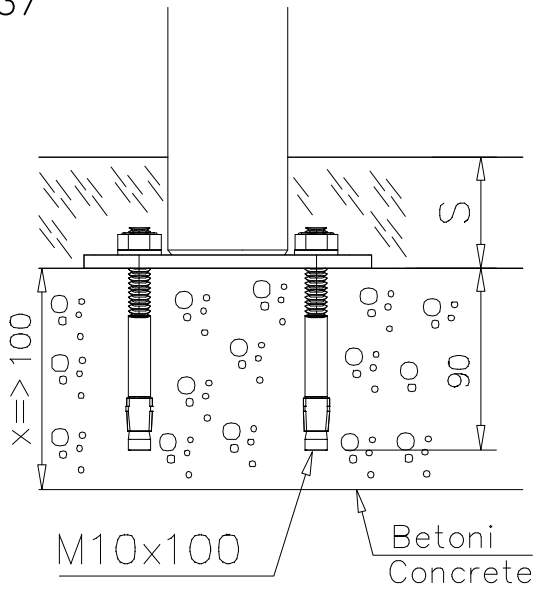
DATE: 29.4.2015



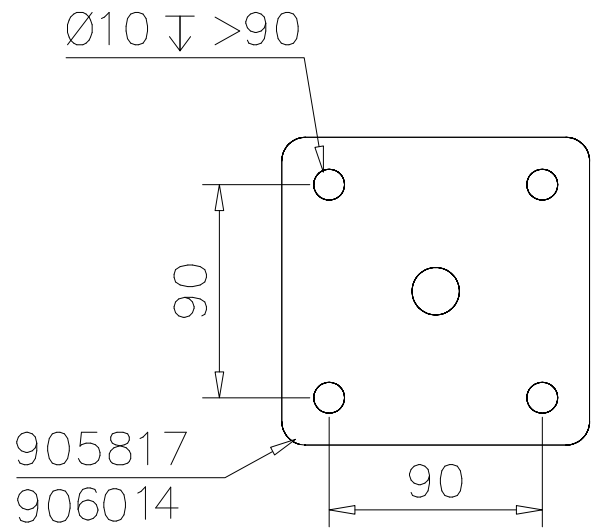




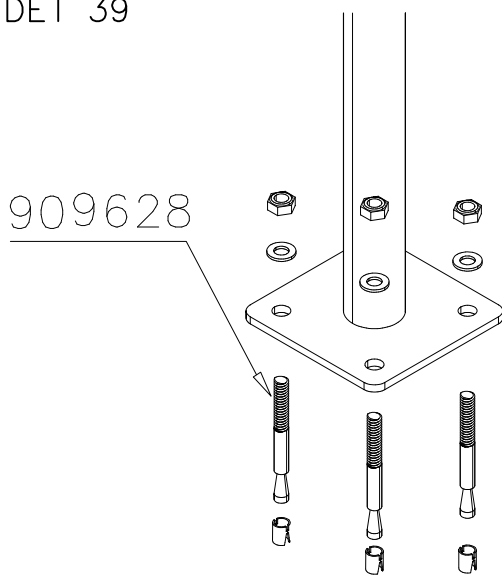
DET 37



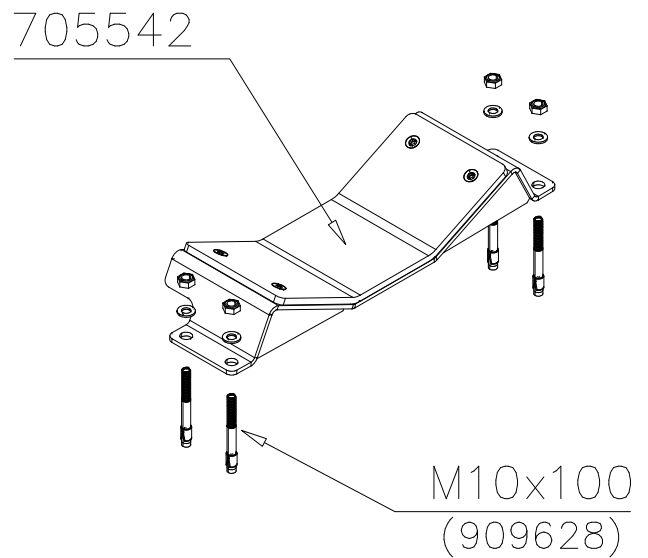
DET 38



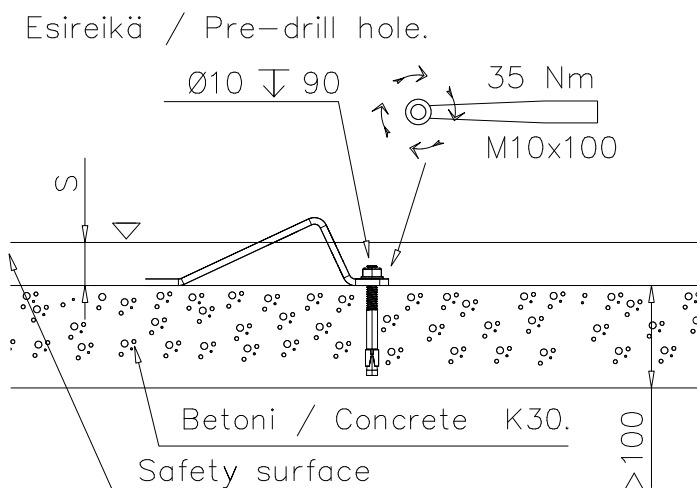
DET 39



DET 40



DET 41

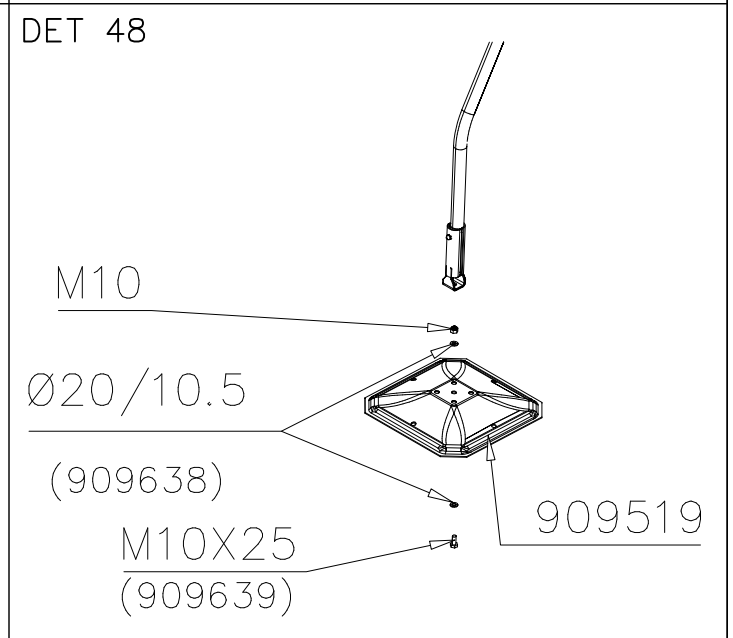
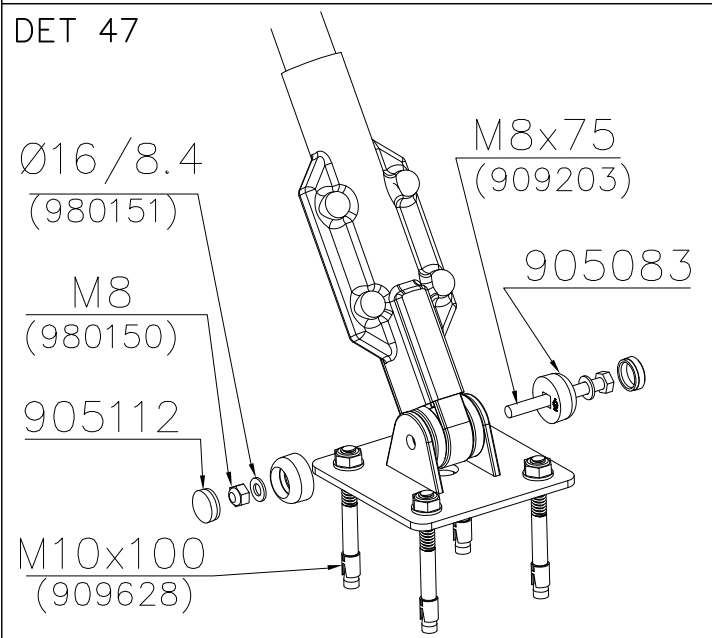
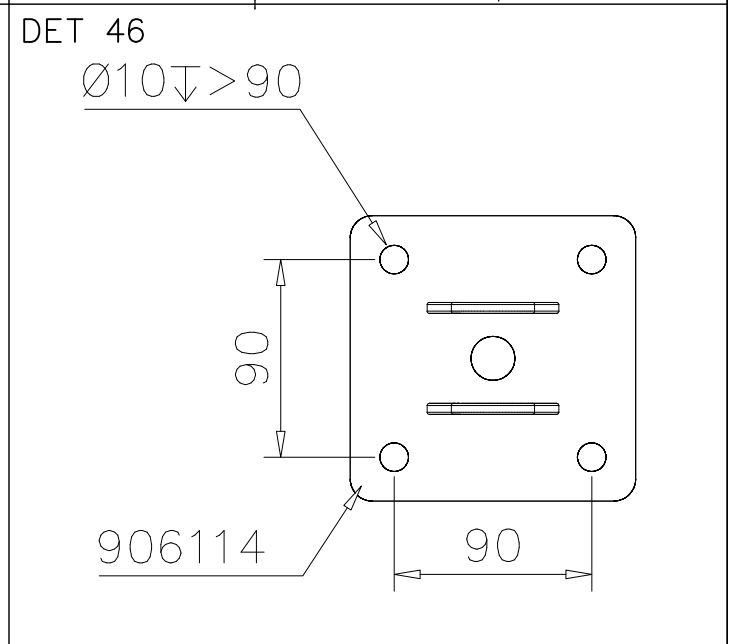
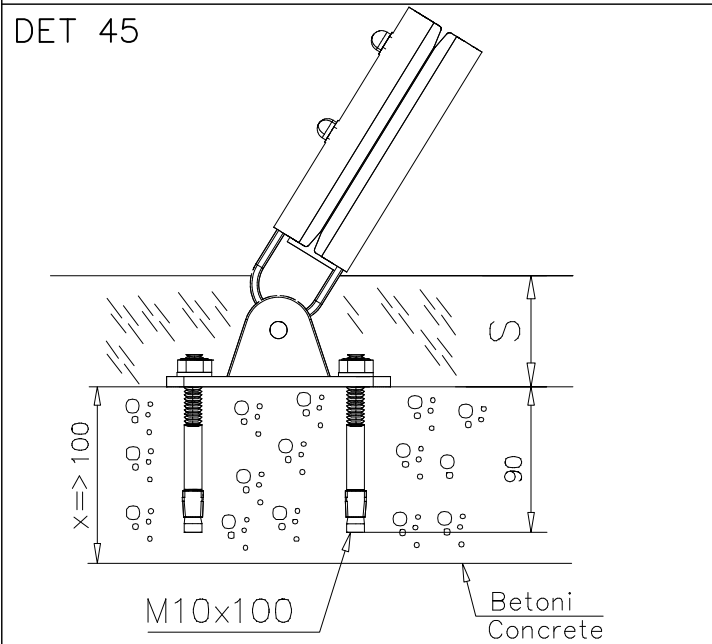
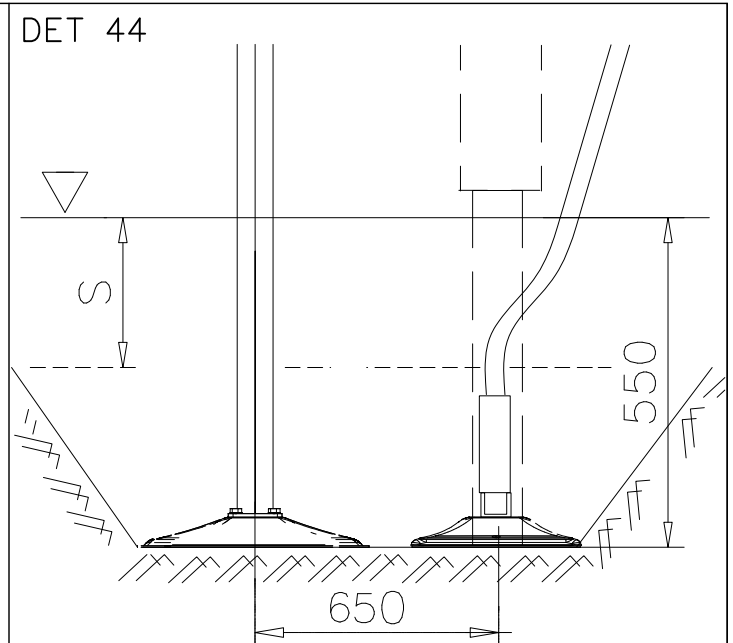
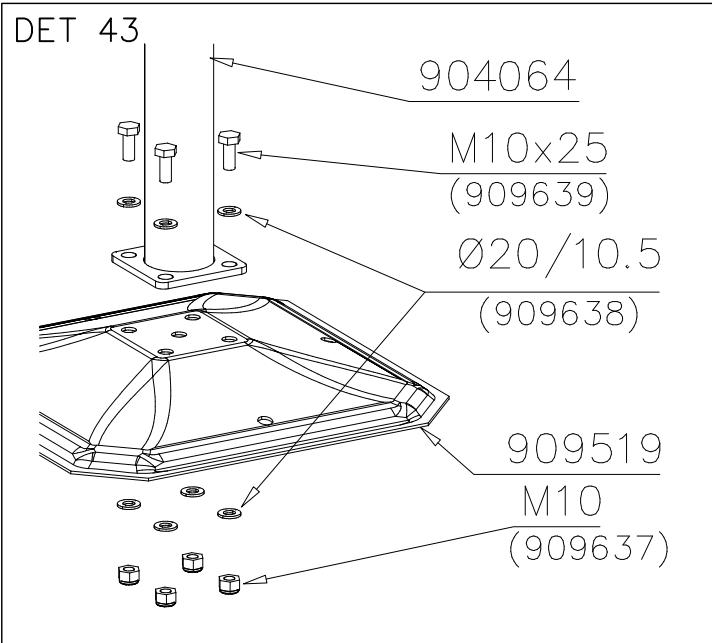


DET 42

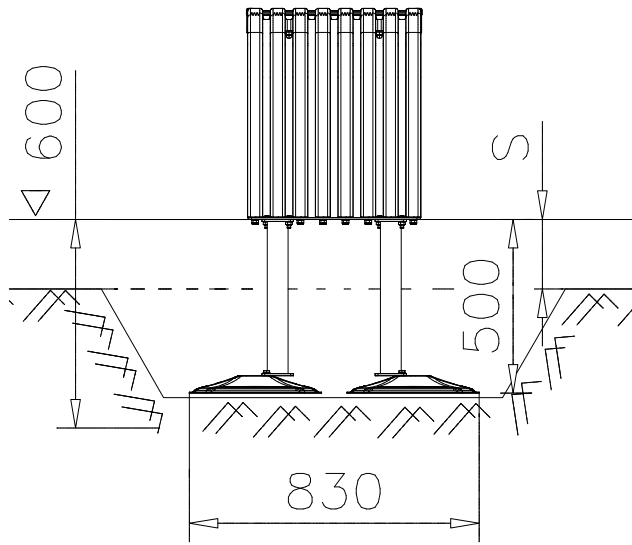
WINAM GROUP SPORT

BASE

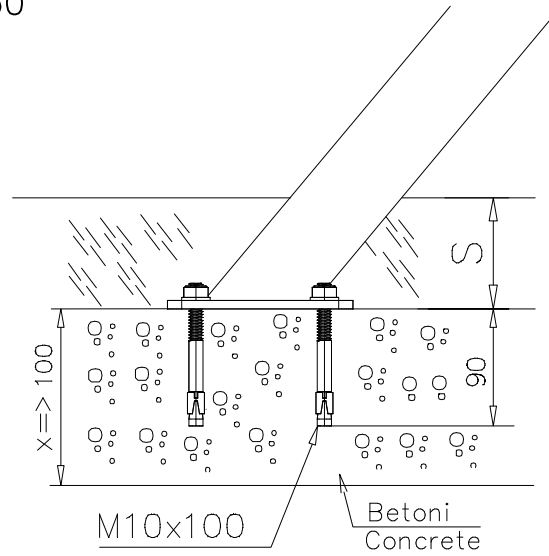
DATE: 15.8.2017



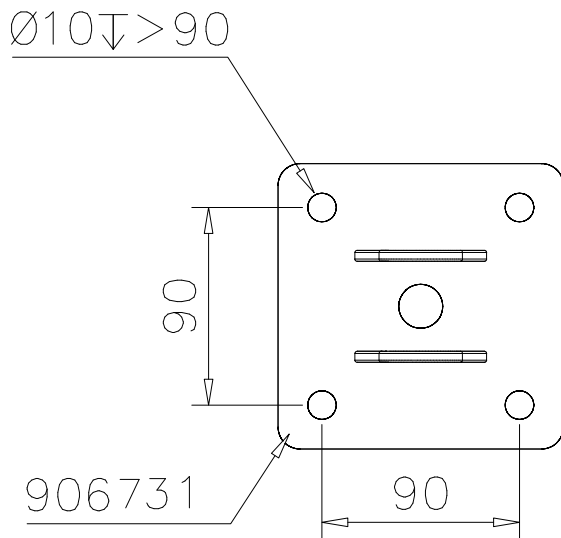
DET 49



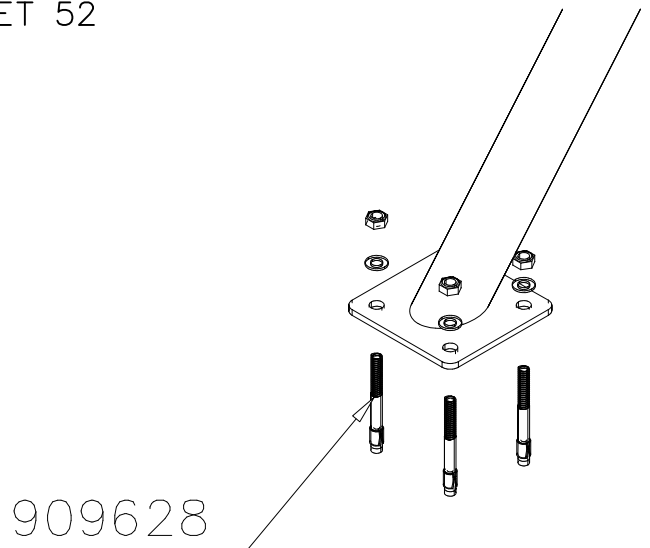
DET 50



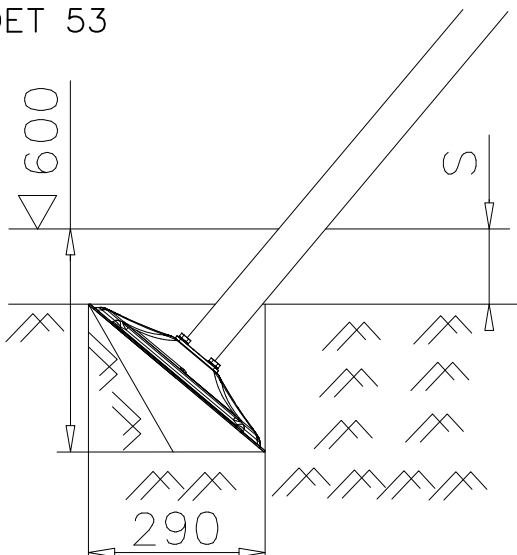
DET 51



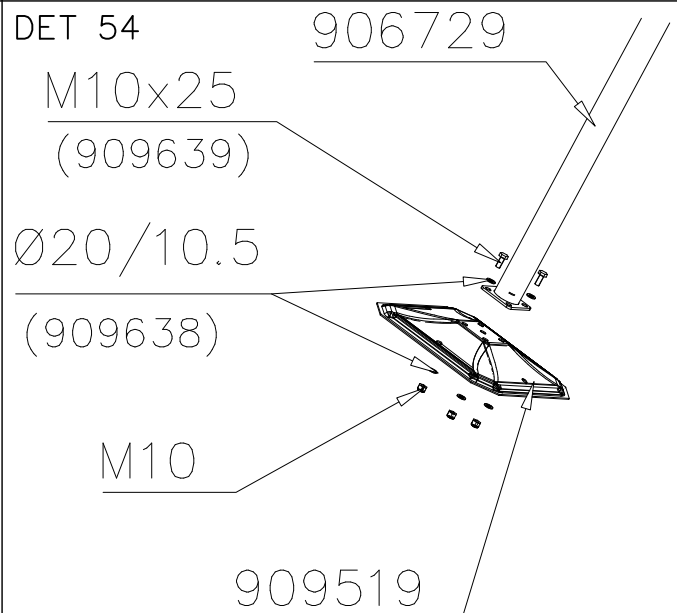
DET 52



DET 53

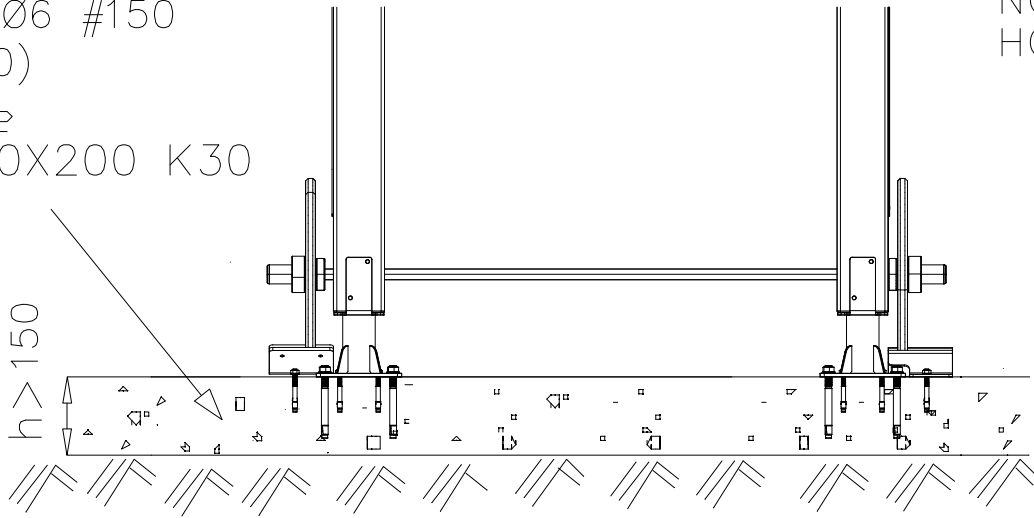


DET 54



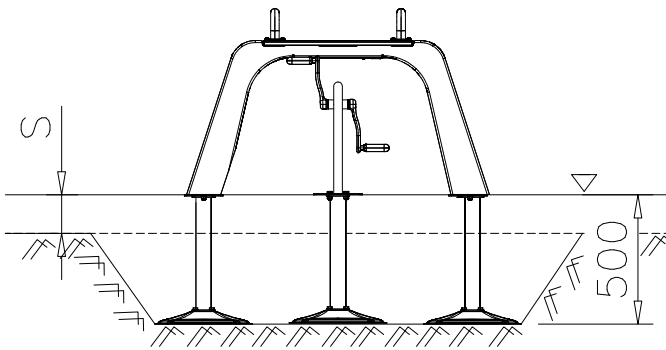
DET 55

STEELNET Ø6 #150
(1400x2100)
Concrete
1500X2200X200 K30

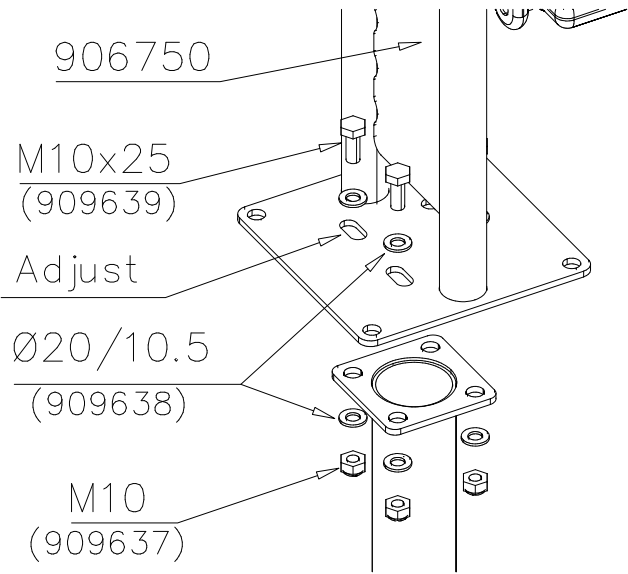


NOTE!
HOX!

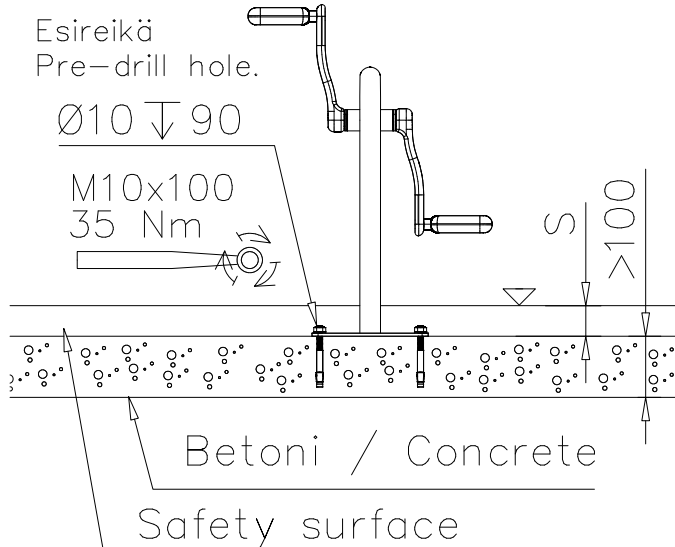
DET 56



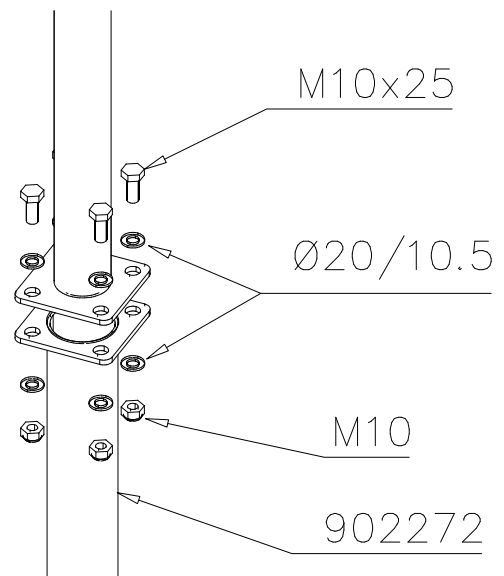
DET 57

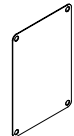



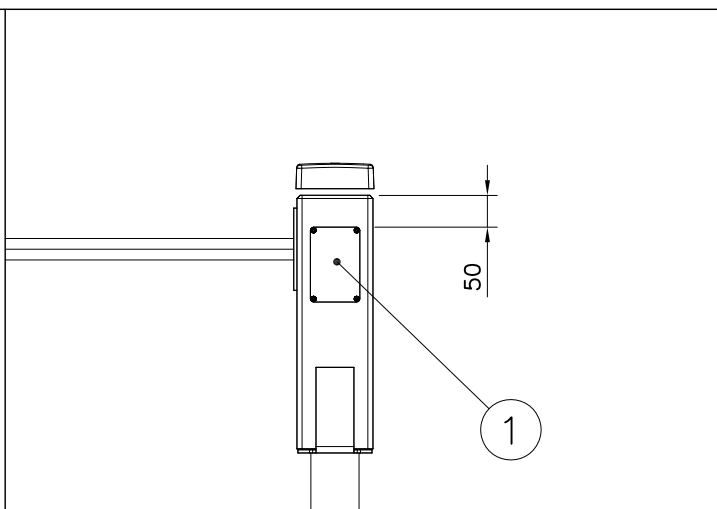
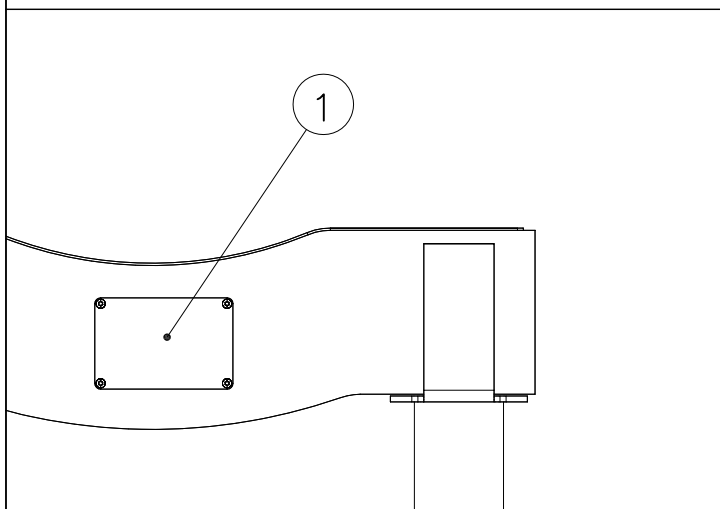
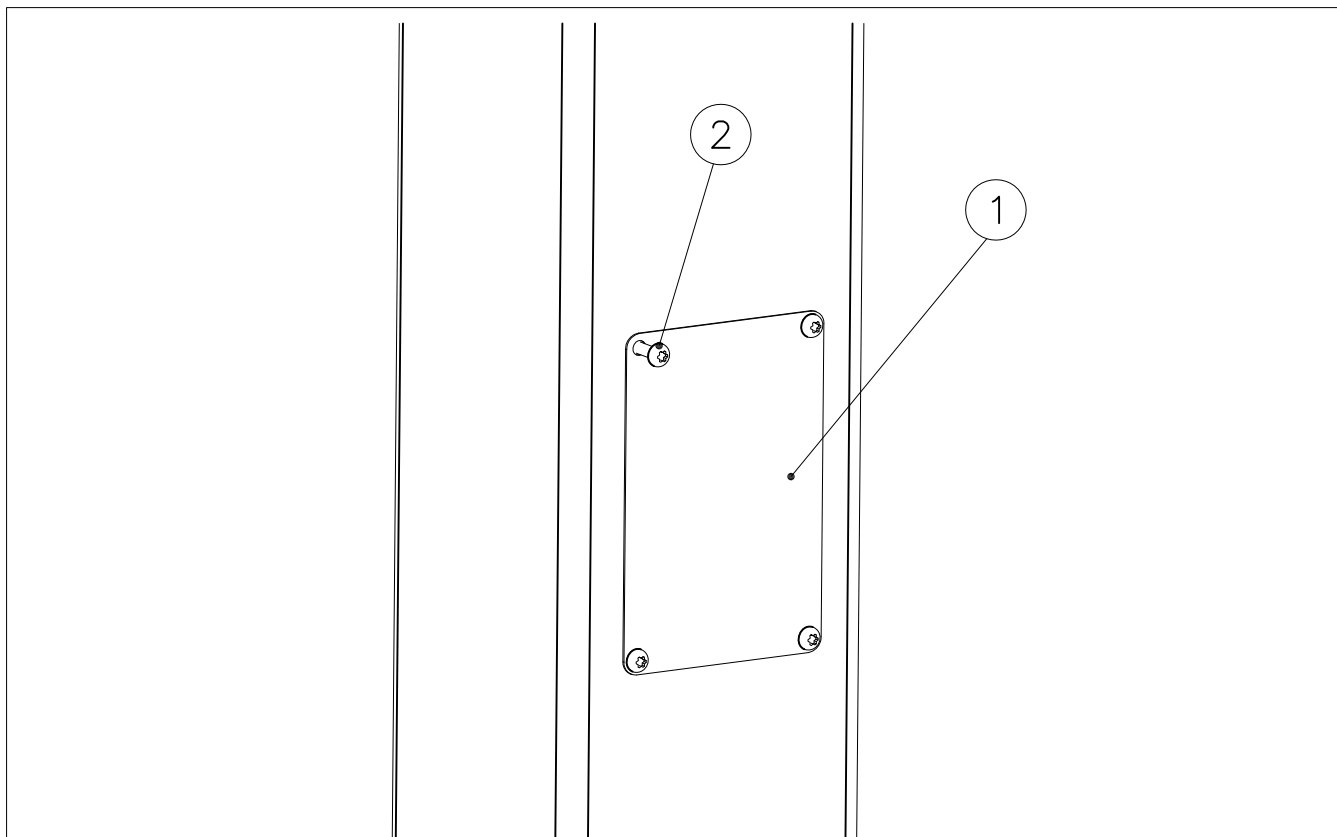
DET 58



DET 59



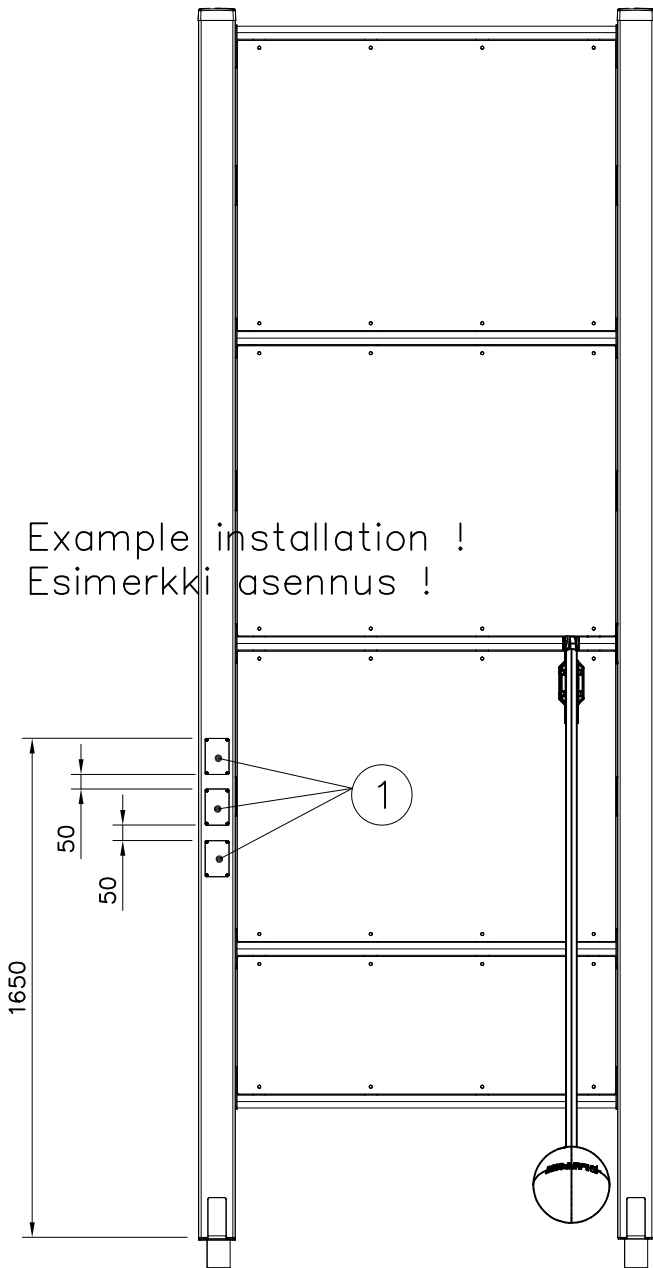
①	SHEET METAL	PCS	②	980114	PCS
		1			4
	118x78x0.7		Ø4x20		



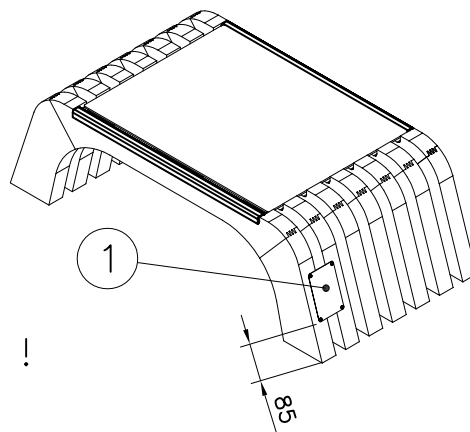
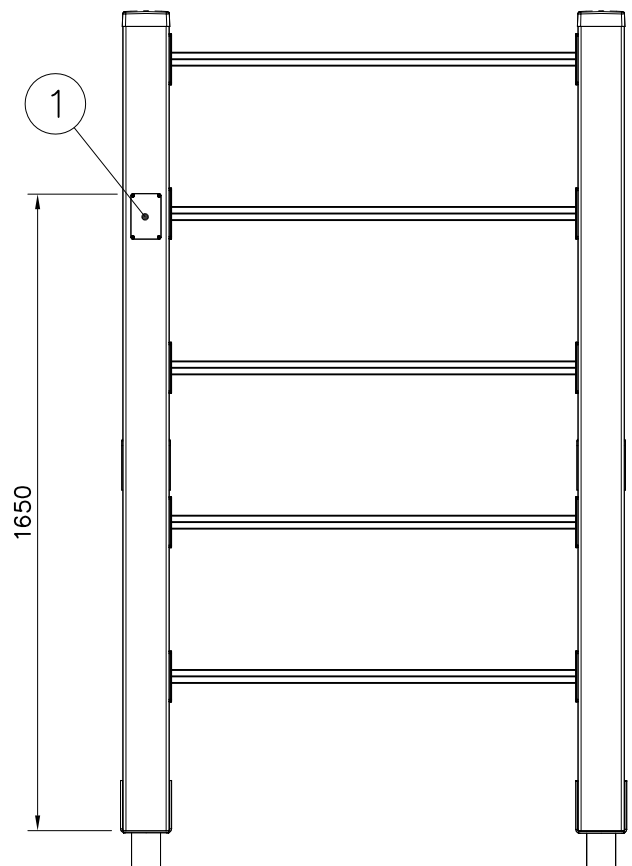
Example installation !
Esimerkki asennus !

Example installation !
Esimerkki asennus !

Example installation !
Esimerkki asennus !



Example installation !
Esimerkki asennus !



Example installation !
Esimerkki asennus !