




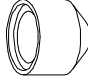

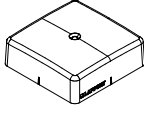
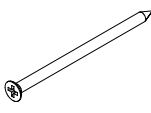

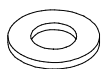
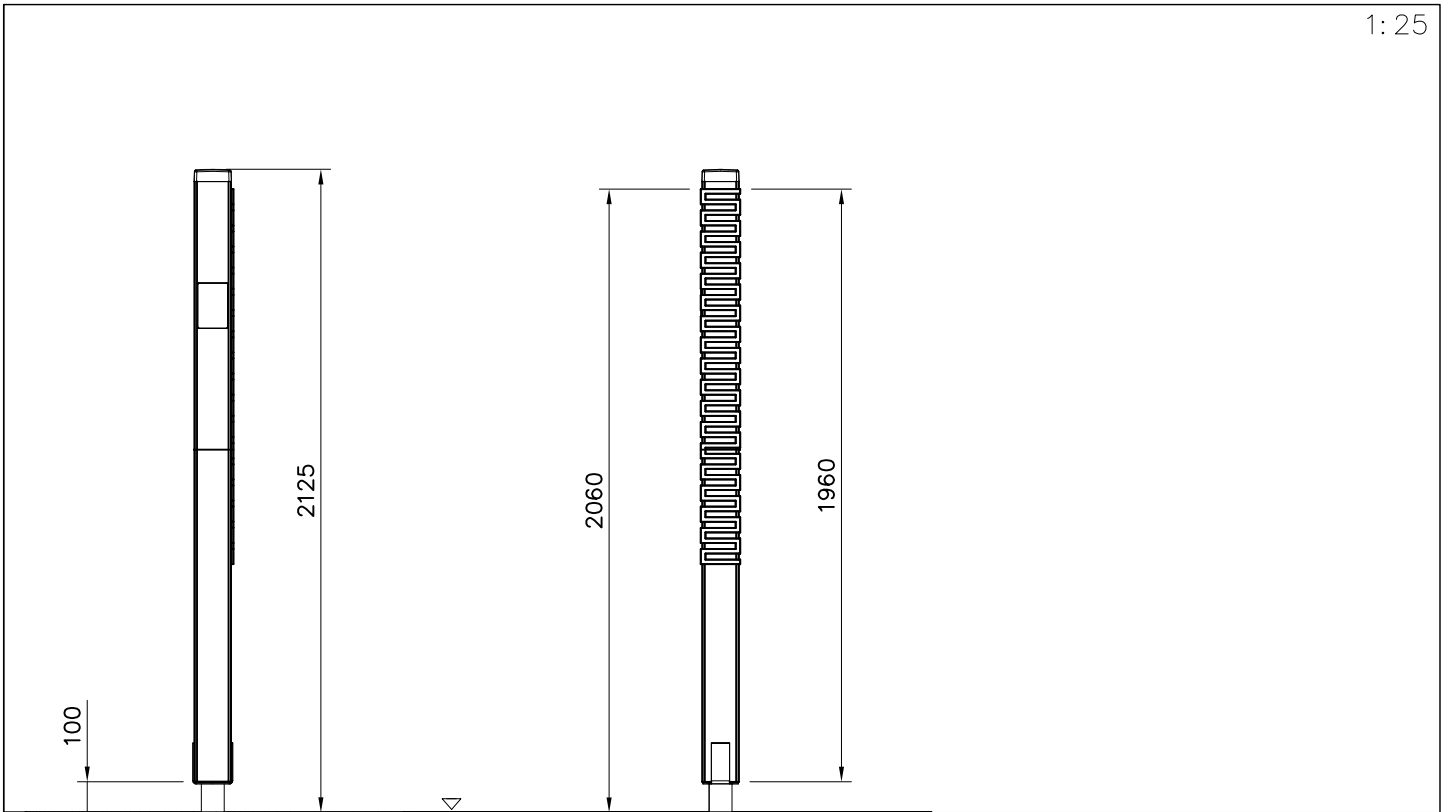
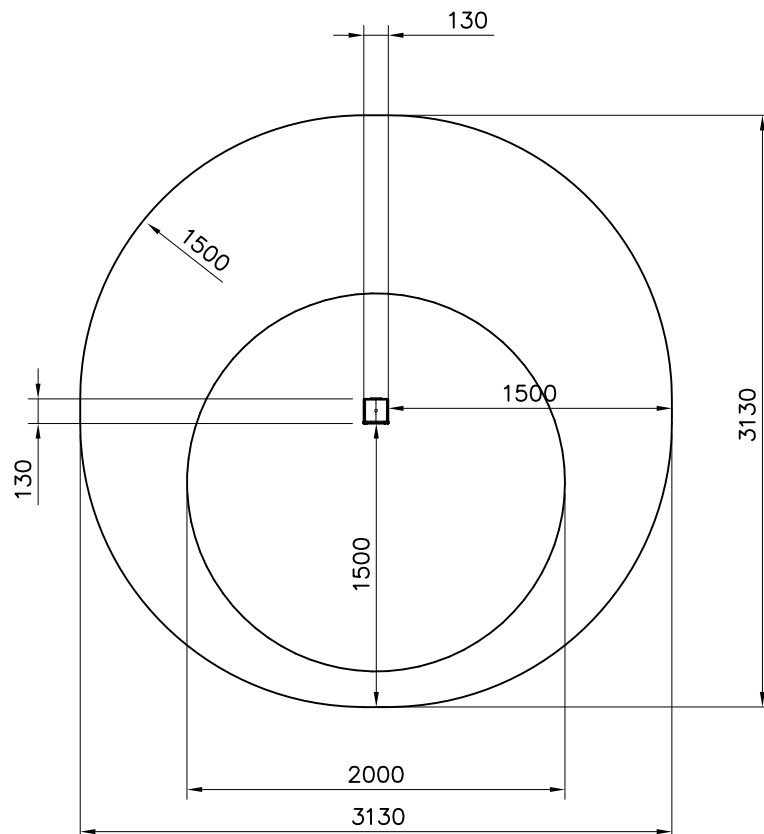
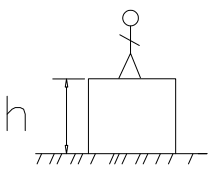



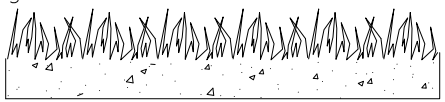
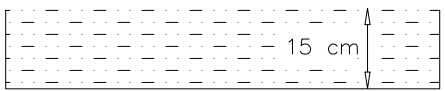
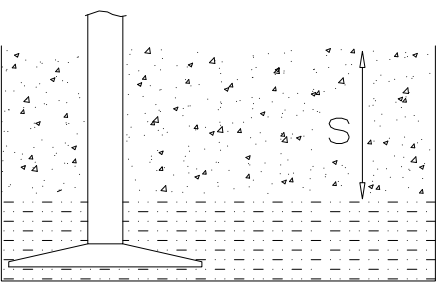
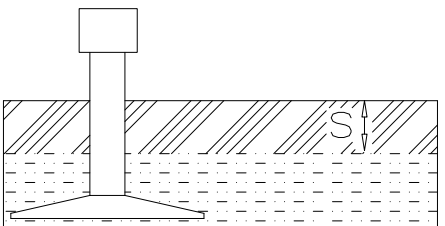


①	706047	PCS	②	906632	PCS
		1			1
③	705347	PCS	④	980123	PCS
		1			4
				Ø7x60	
⑤	980114	PCS	⑥	905104	PCS
		4			4
	Ø4x20			M10	
⑦	905761	PCS	⑧	905830	PCS
		1			1
	120x120x700			123x123x40	
⑨	980104	PCS	⑩	980131	PCS
		1			7
	Ø5x90			Ø6x60	
⑪	909256	PCS			PCS
		4			
	Ø16/8.4				
		PCS			PCS
		PCS			PCS

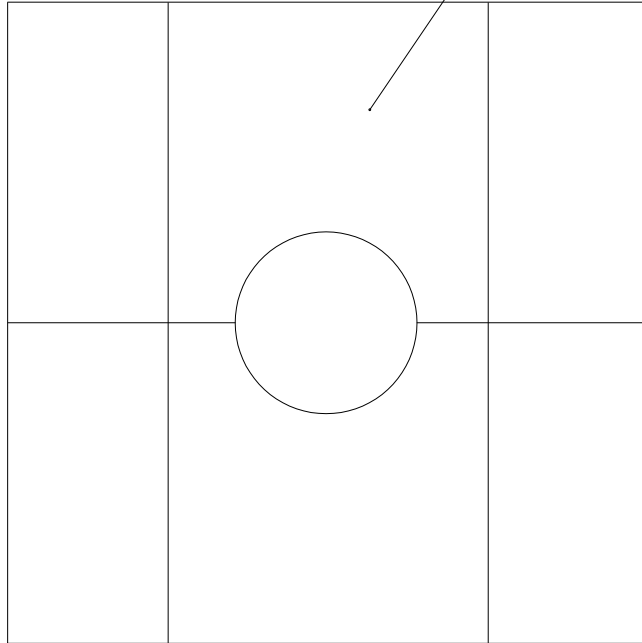


Area of Movement 7.9 m²
Training Space 3.1 m²
Max Falling Height 0 mm

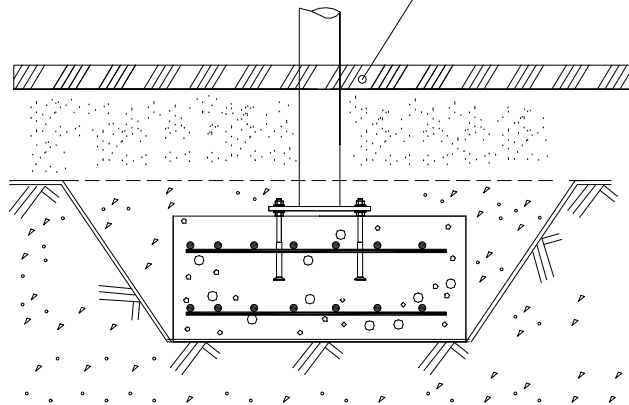


		
<p>$h < 600$</p> <p>Without movement and therefore without Impact Area</p>	<p>Totally hard surfaces.</p> <p>Note. Lappset does <u>not recommend</u> totally hard surfaces at all.</p>	<p>E.g. concrete or asphalt</p> 
<p>$h < 600$</p> <p>With movement e.g. rocking</p>	<p>Materials with very limited impact attenuating properties.</p>	<p>E.g. wood</p> 
<p>$h < 1000$</p>	<p>Materials with significant impact attenuating properties.</p>	<p>fine gravel 0–8 mm</p>  <p>grass</p>  <p>unsorted sand</p> 
<p>$h < 3000$</p>	<p>Loose fill material</p> <p>E.g. sand/gravel 0,25...8 mm D60/D10<3,0 Woodchips 5...30 mm bark 20...80 mm</p>	 <p>\underline{S} \underline{h}</p> <p>30 cm < 2,0 m</p> <p>40 cm < 3,0 m</p>
	<p>Syntethic granulates</p> <p>\underline{S} \underline{h}</p> <p>40 mm ~> 1,2...1,3 m</p> <p>50 mm ~> 1,5...1,7 m</p> <p>60 mm ~> 1,8...2,0 m</p> <p>70 mm ~> 2,1...2,5 m</p> <p>Note. For accurate values, see manufacturer's instructions.</p>	

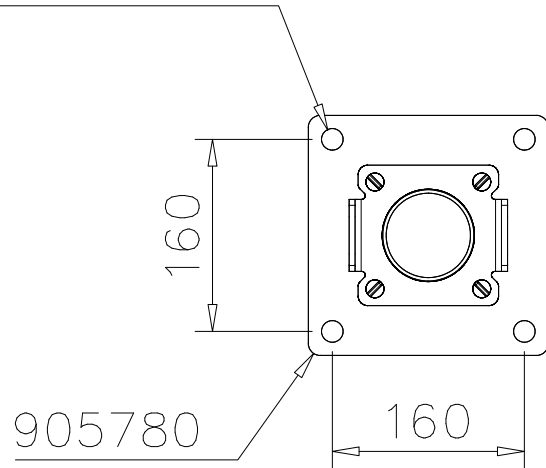
REMOVE SAFETY SURFACE/SAND/GRAVEL
TO CHECK FOUNDATION



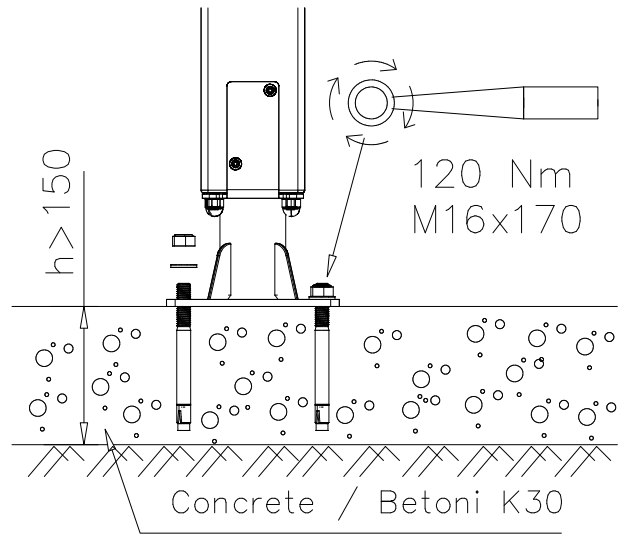
REMOVE SAFETY SURFACE/SAND/GRAVEL
TO CHECK FOUNDATION



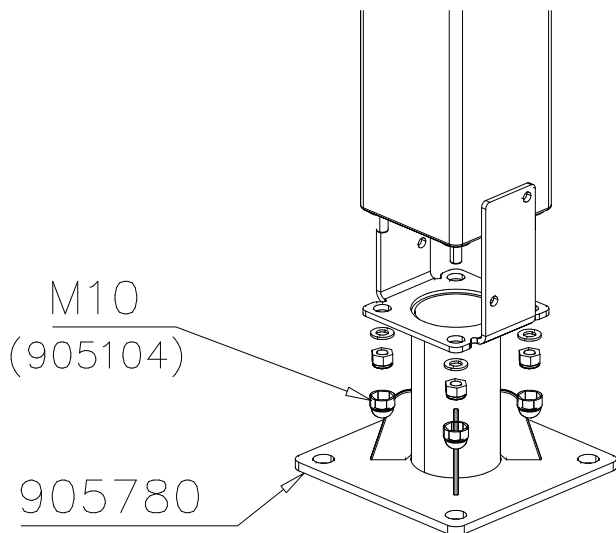
DET 1

 $\varnothing 16 \downarrow > 130$ 

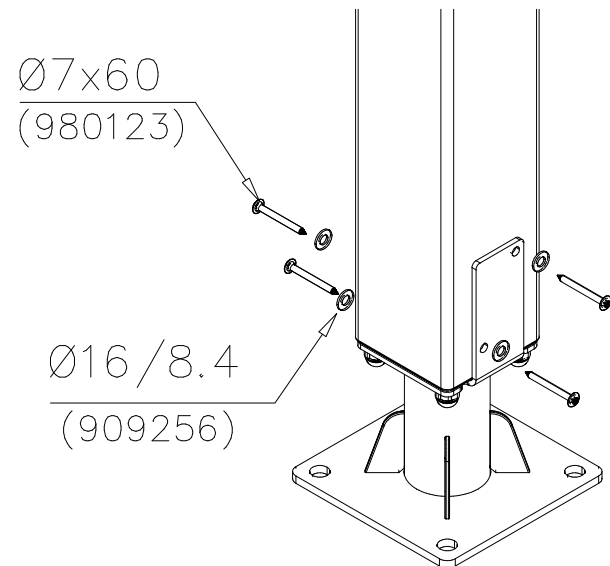
DET 2



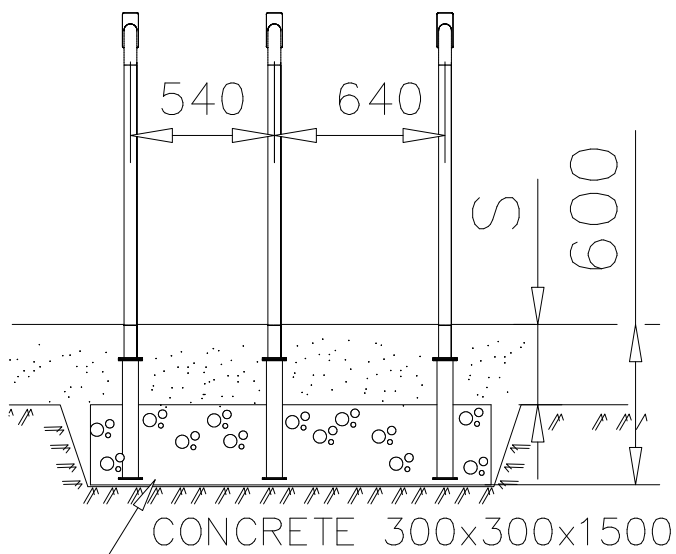
DET 3



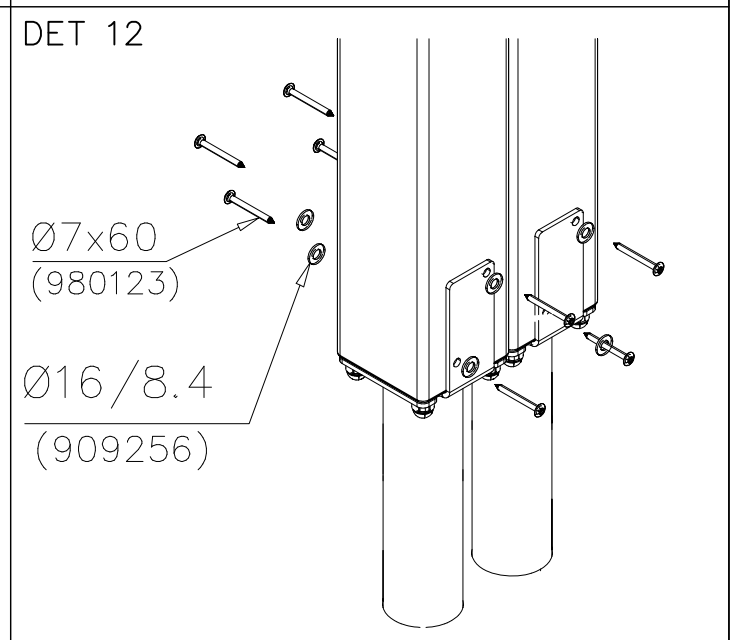
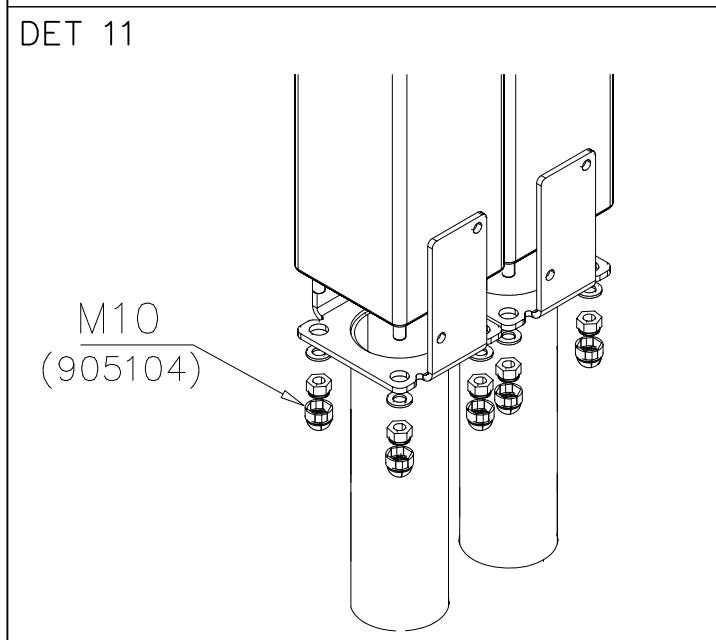
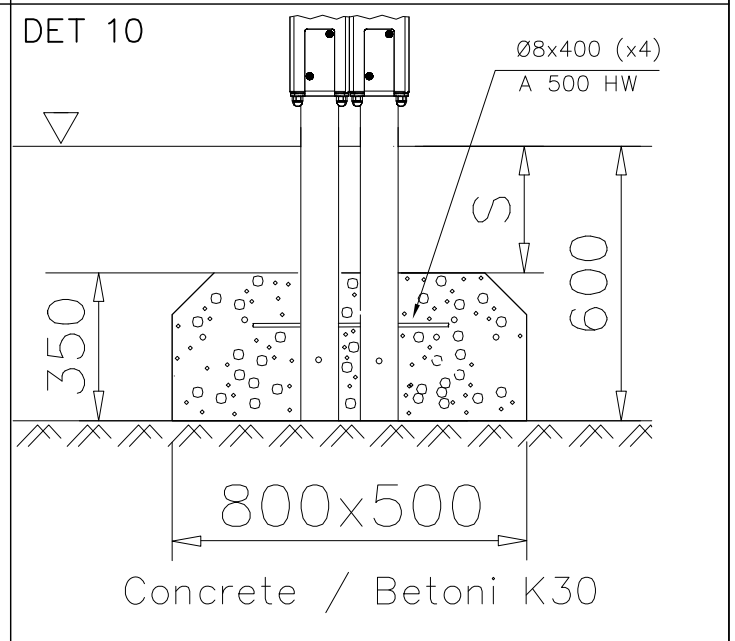
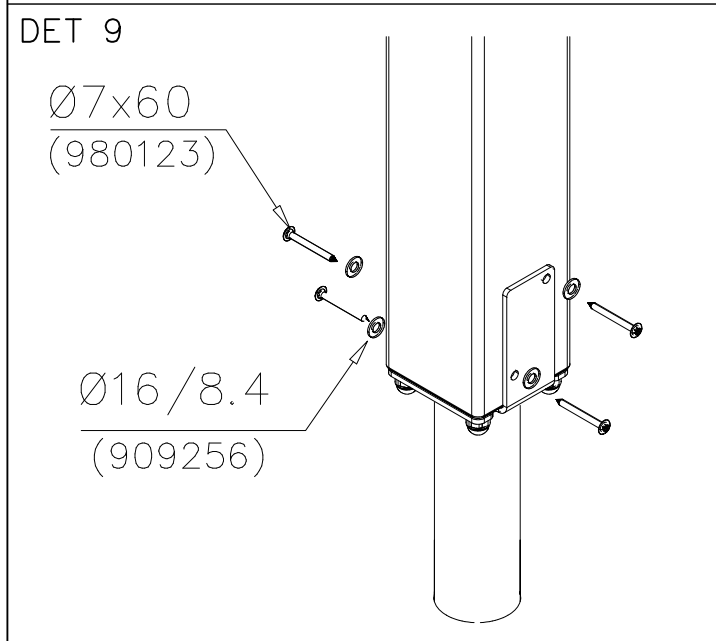
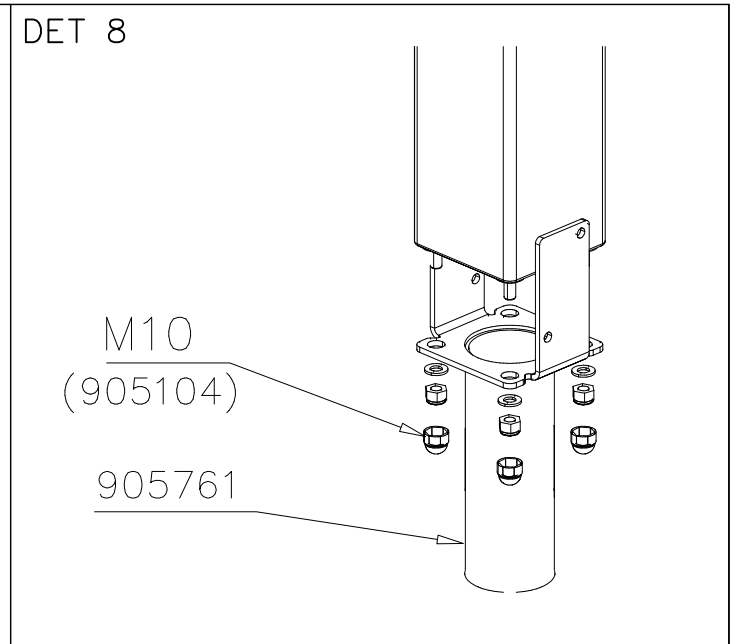
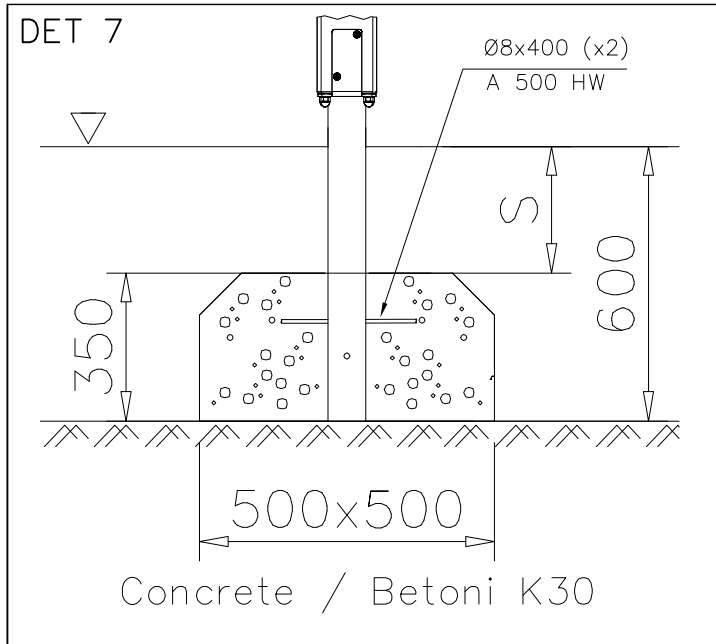
DET 4



DET 5



DET 6



<p>DET 13</p> <p>$\varnothing 16 \Downarrow > 130$</p> <p>160</p> <p>906557</p> <p>280</p>	<p>DET 14</p> <p>$h > 150$</p> <p>120 Nm M16x170</p> <p>Concrete / Betoni K30</p>
<p>DET 15</p> <p>M10 (905104)</p> <p>906557</p>	<p>DET 16</p> <p>$\varnothing 7 \times 60$ (980123)</p> <p>$\varnothing 16 / 8.4$ (909256)</p>
<p>DET 17</p>	<p>DET 18</p>

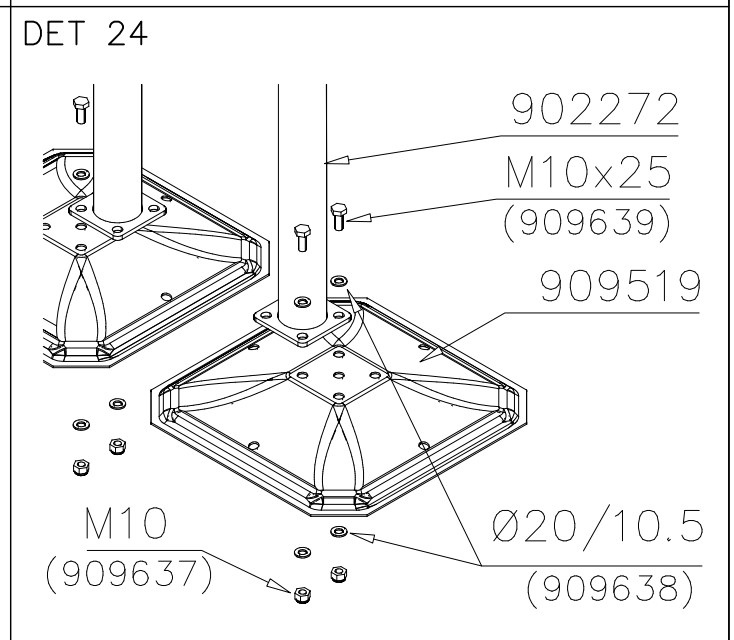
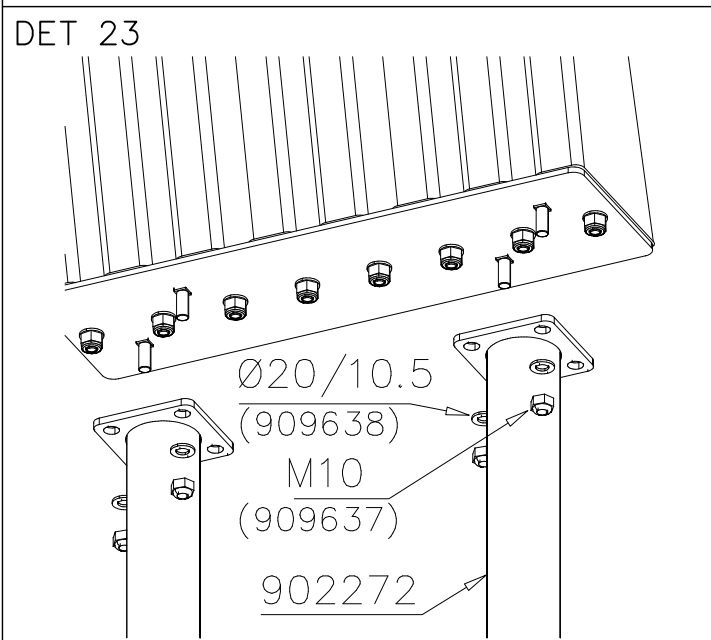
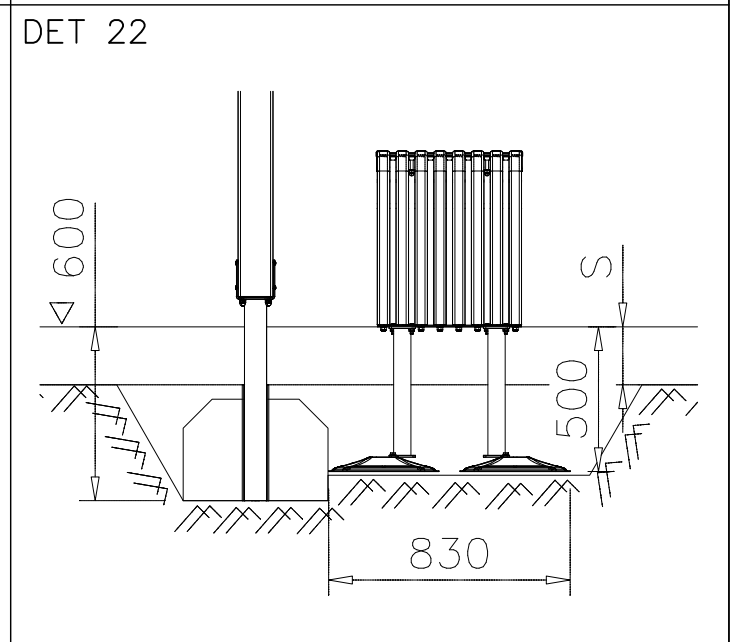
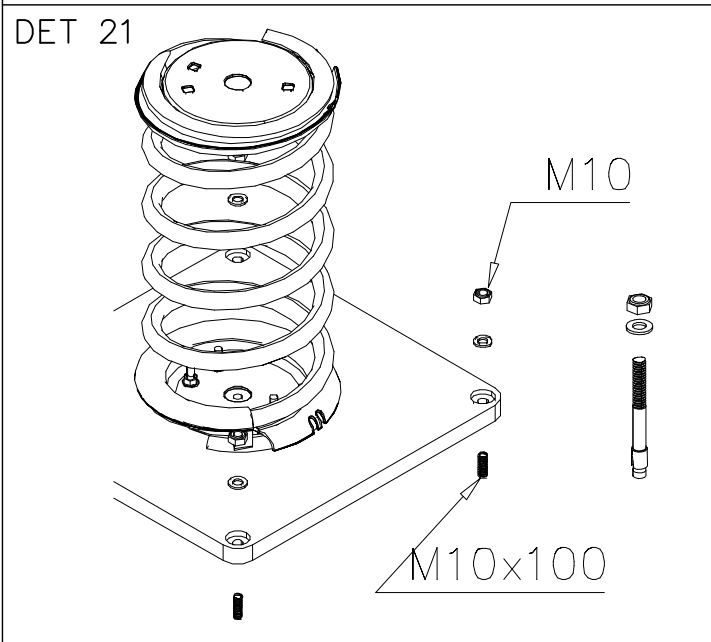
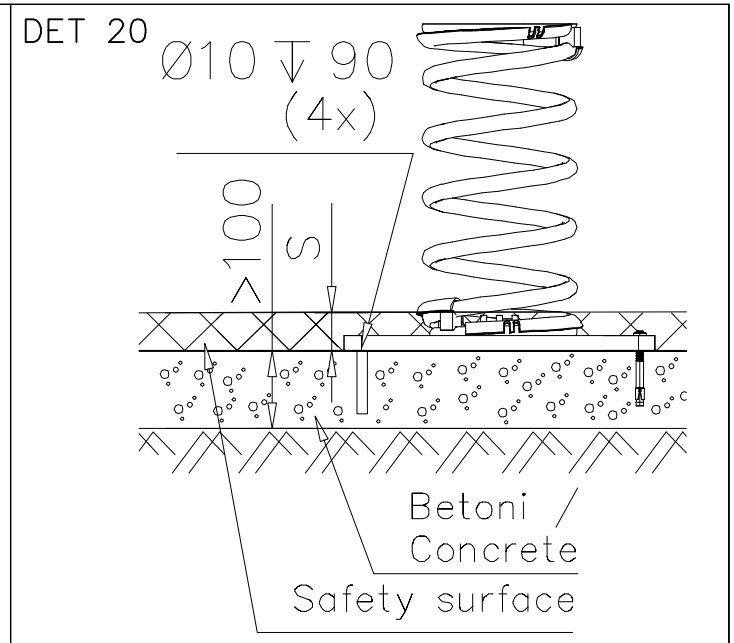
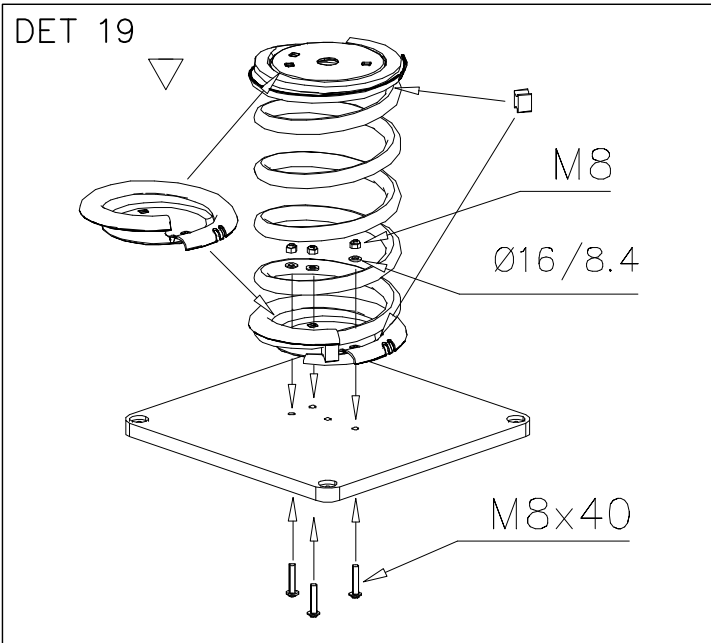
WINAM GROUP SPORT

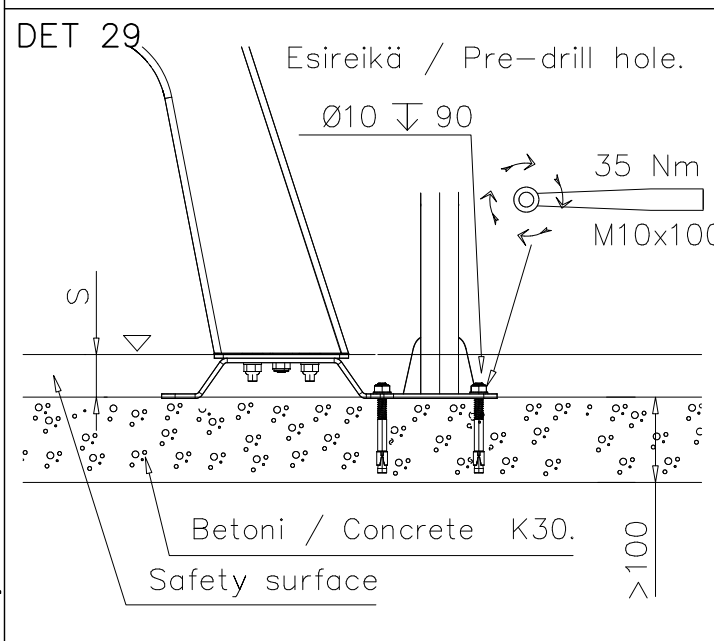
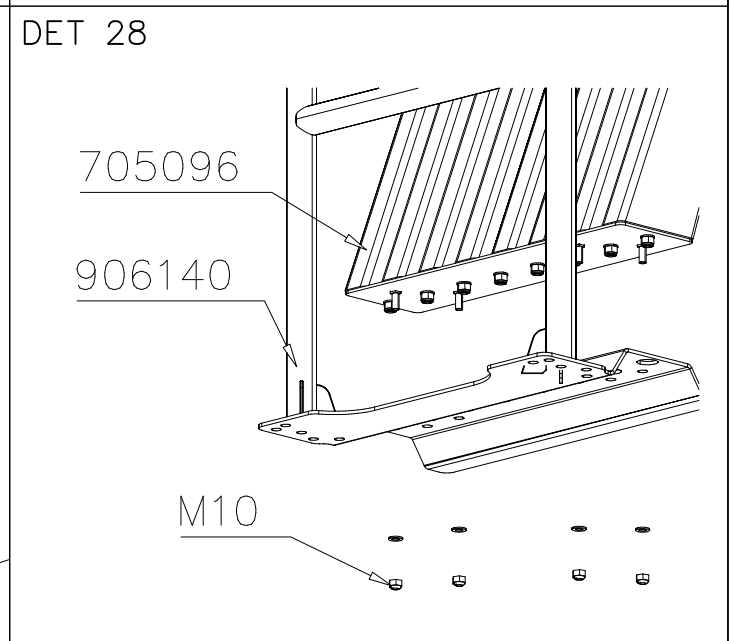
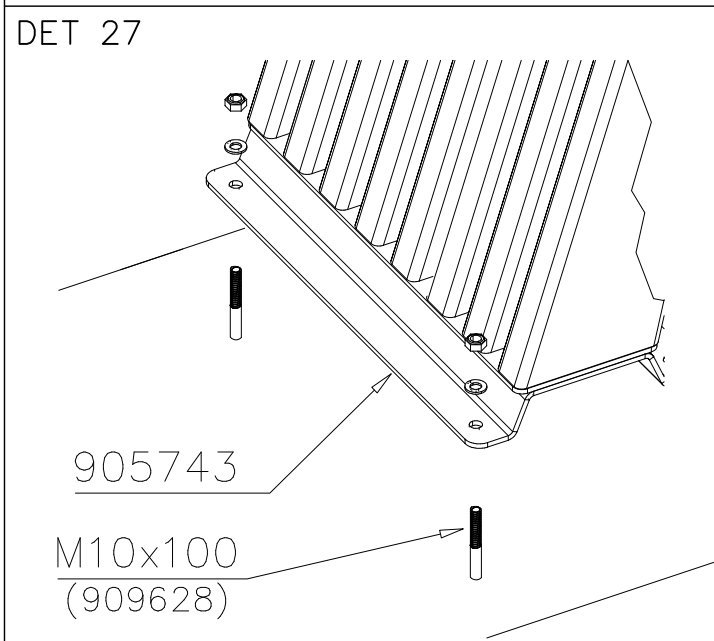
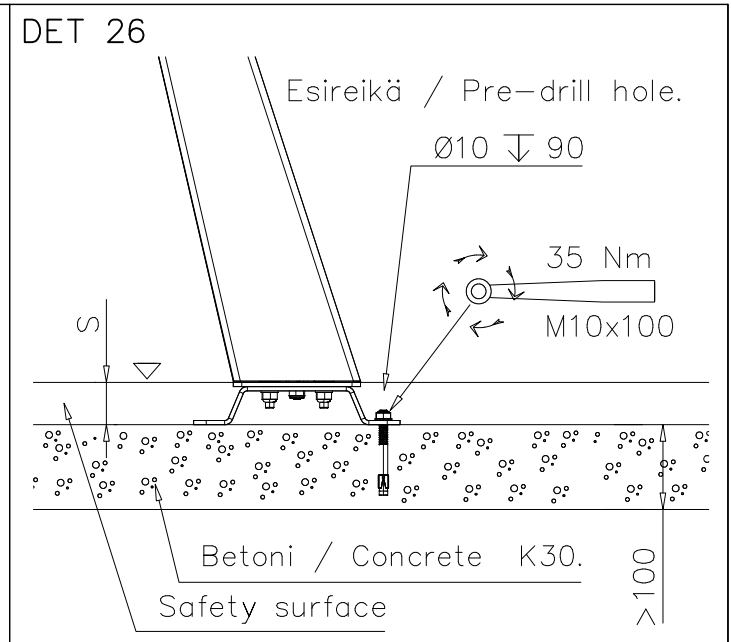
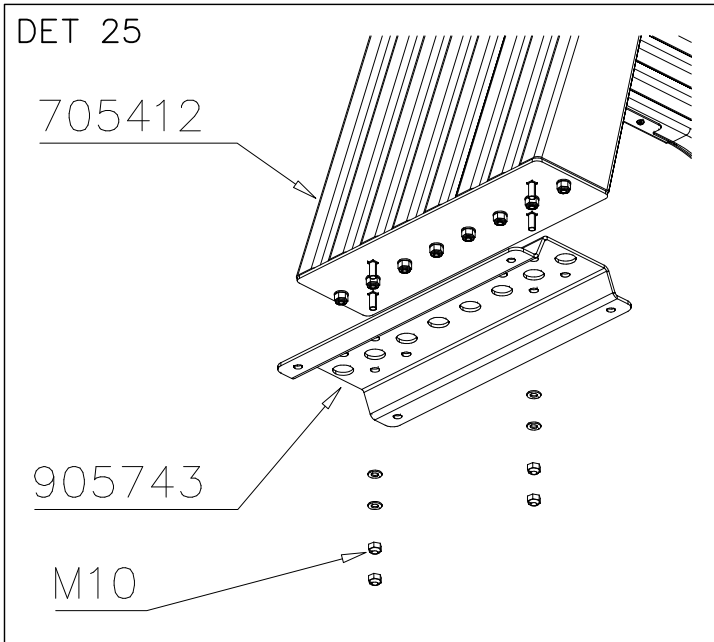
BASE

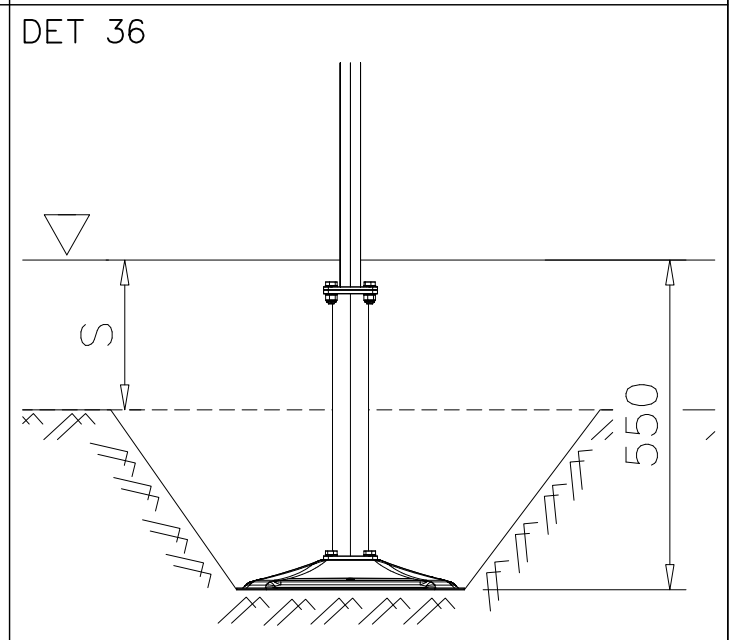
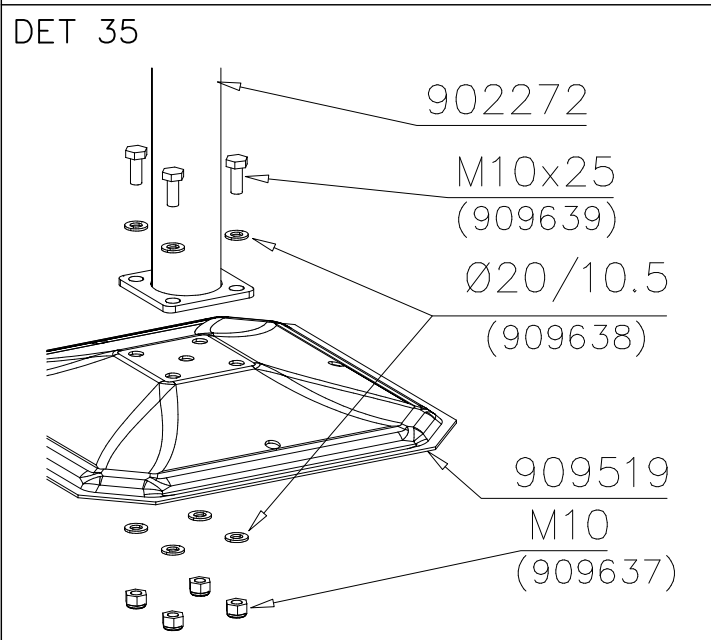
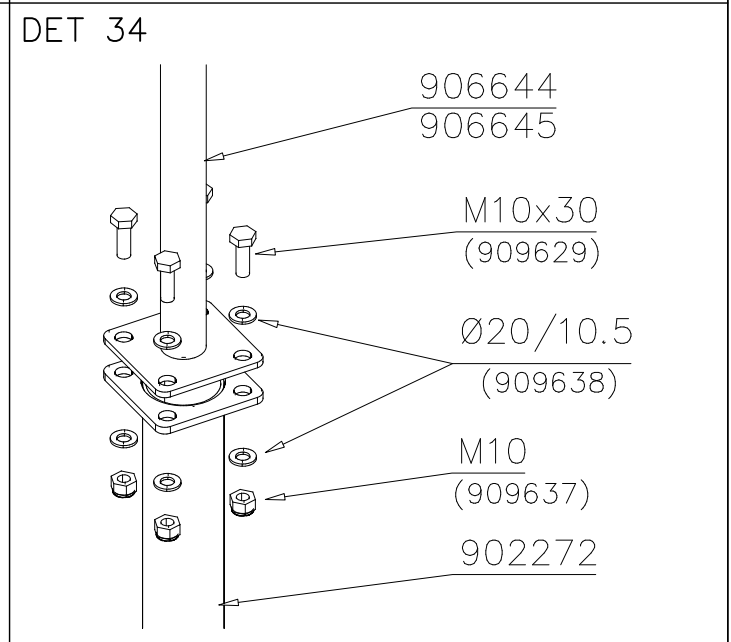
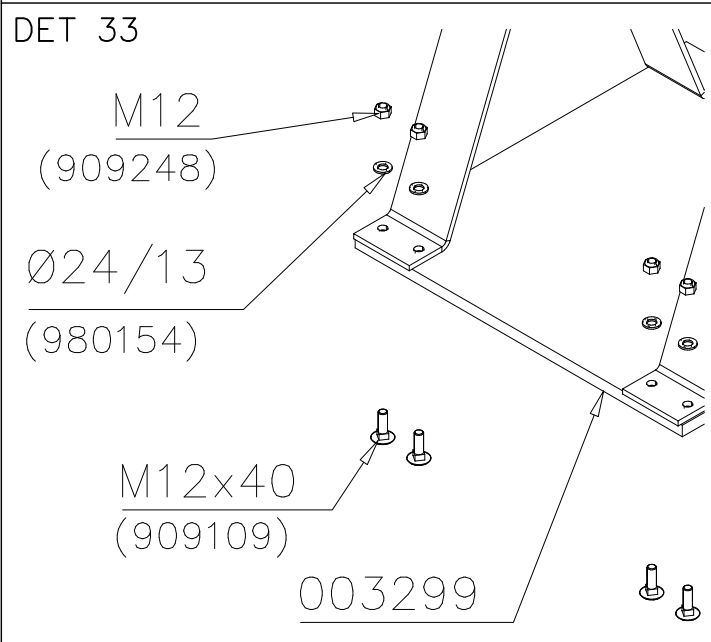
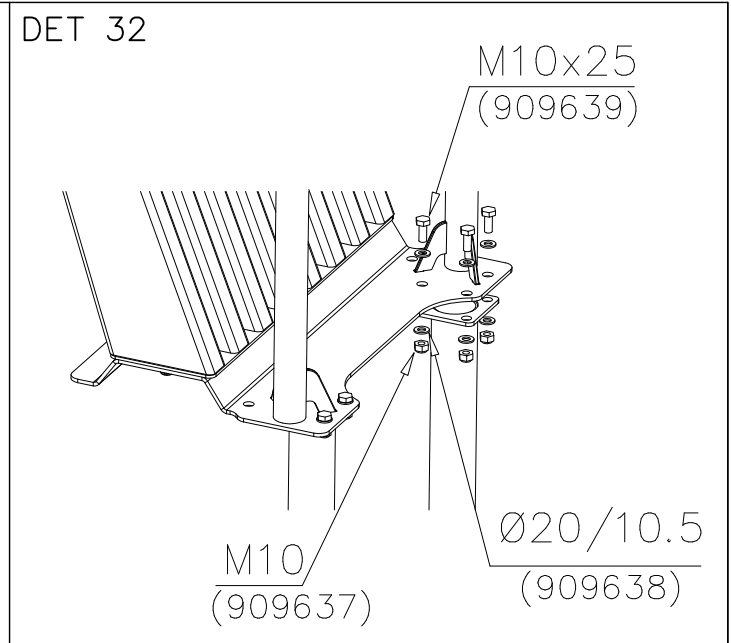
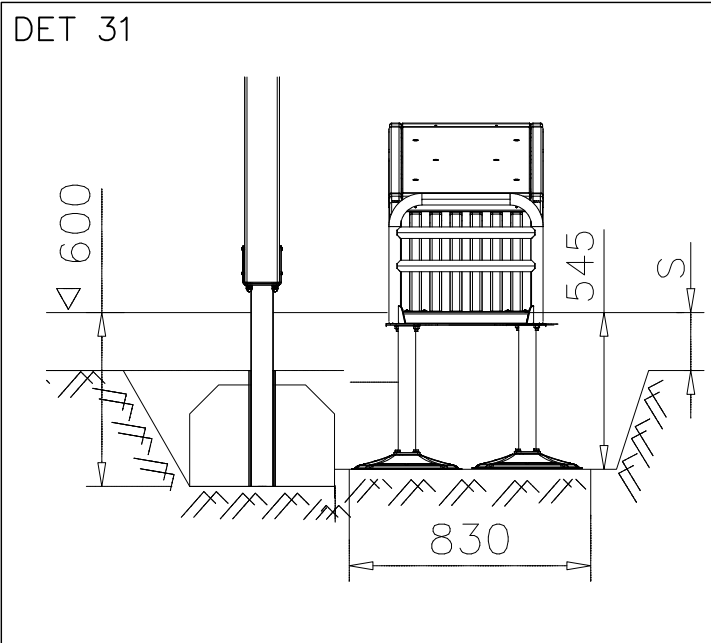


PLAY 4(10)

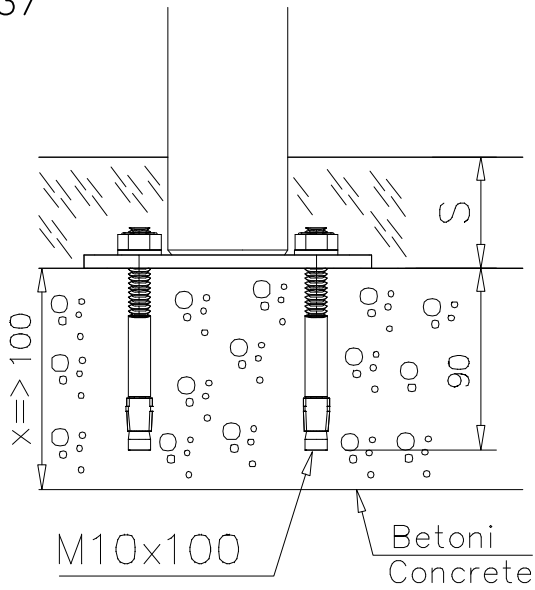
DATE: 29.4.2015



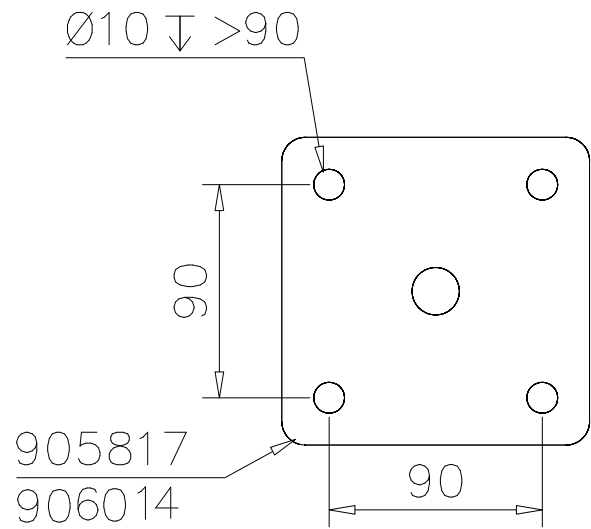




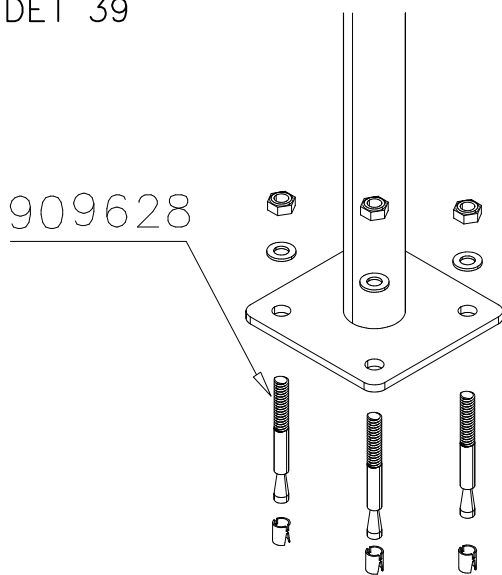
DET 37



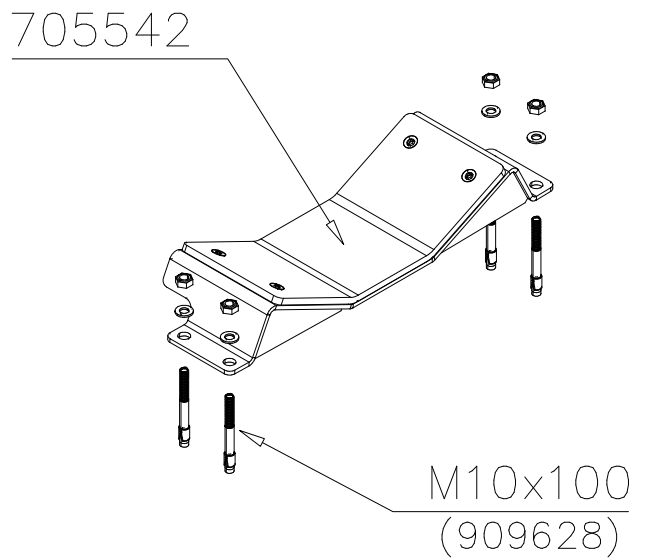
DET 38



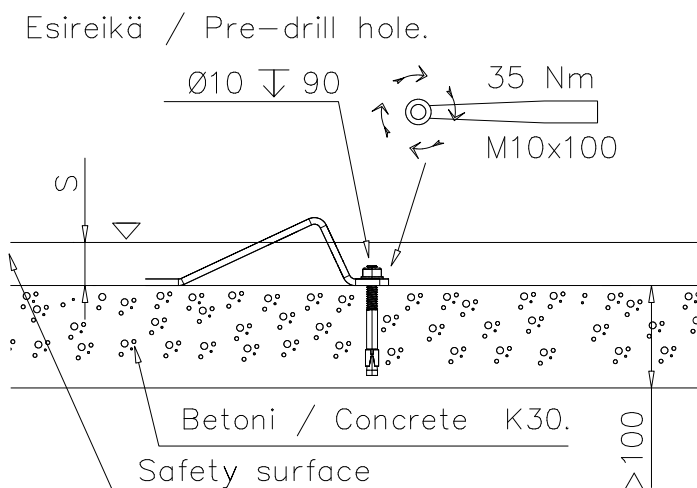
DET 39



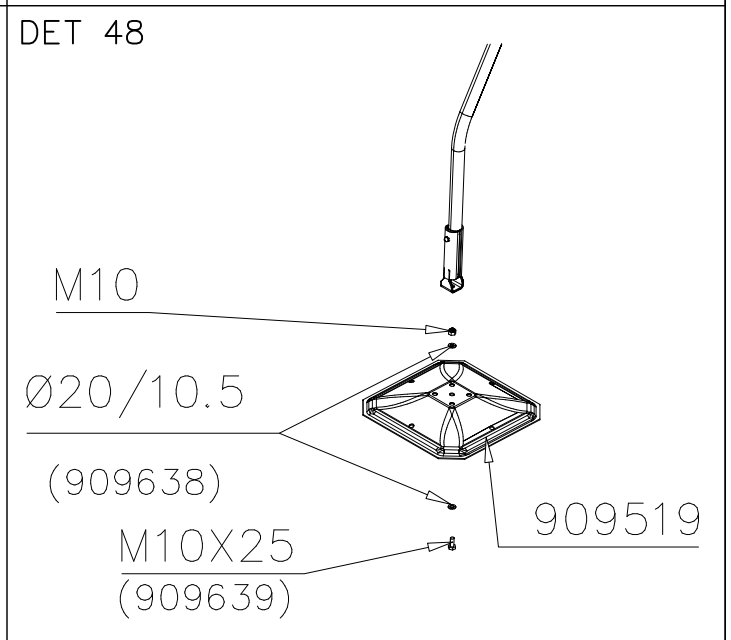
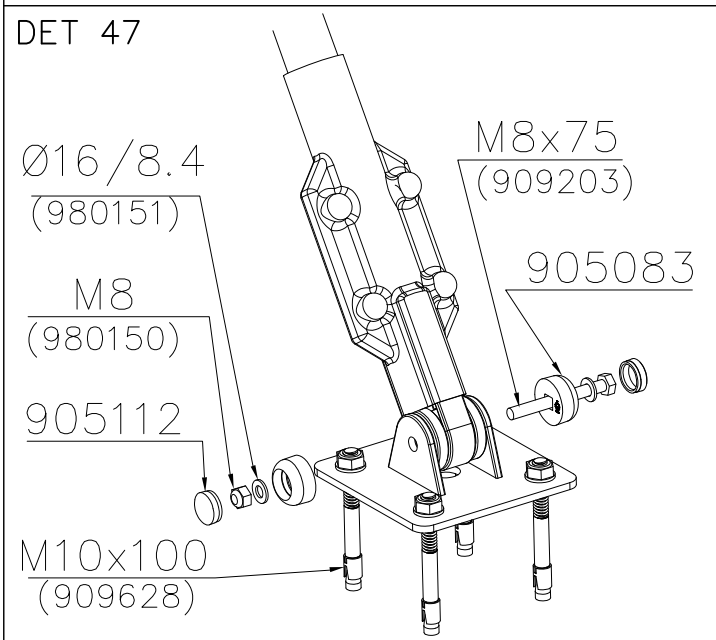
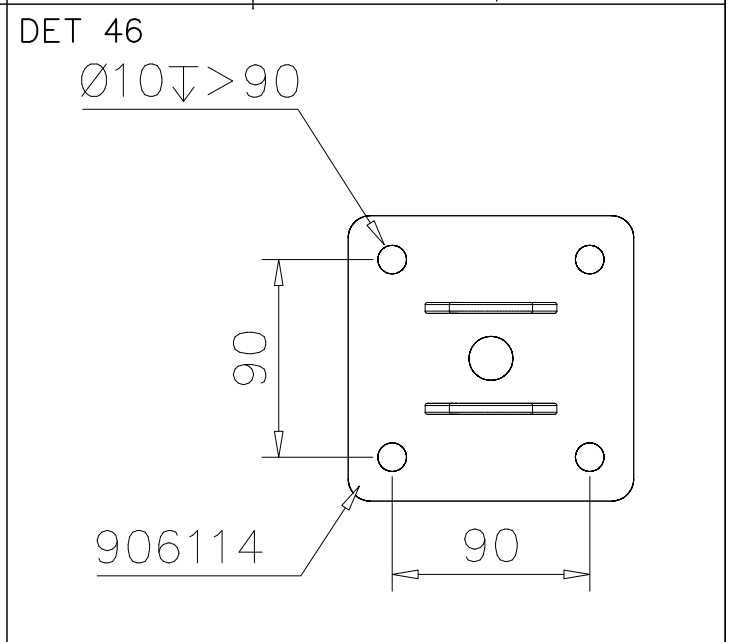
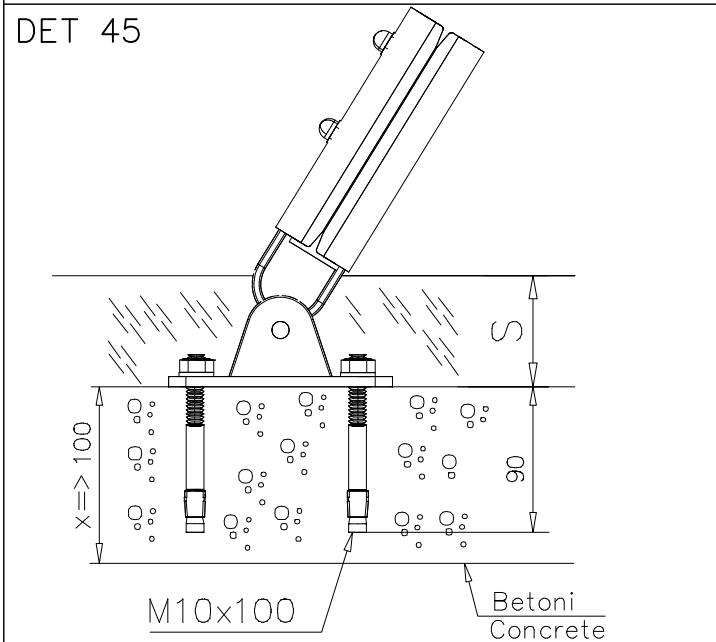
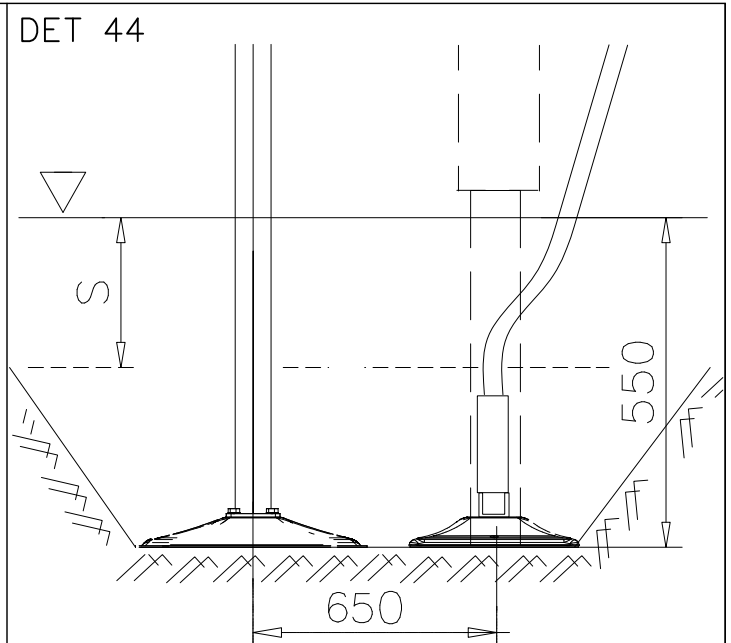
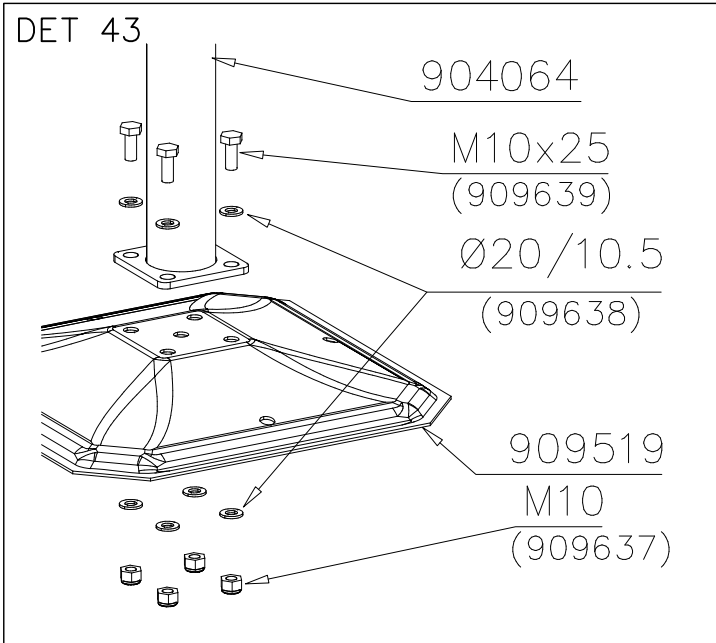
DET 40



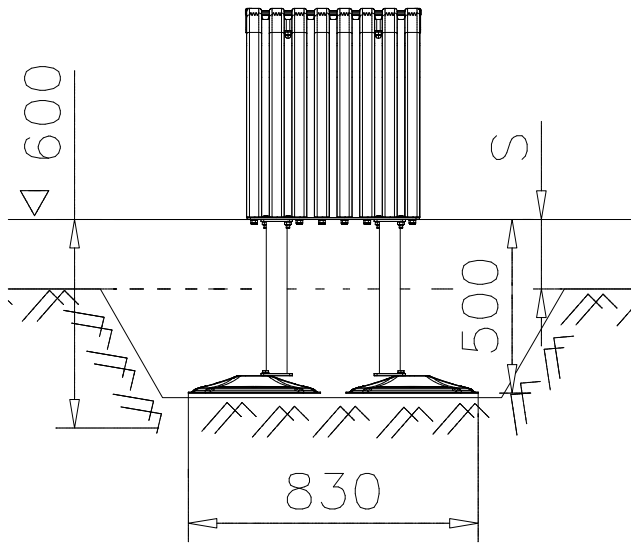
DET 41



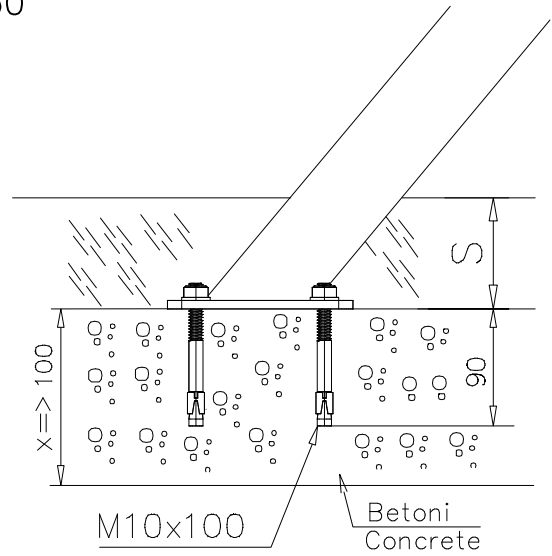
DET 42



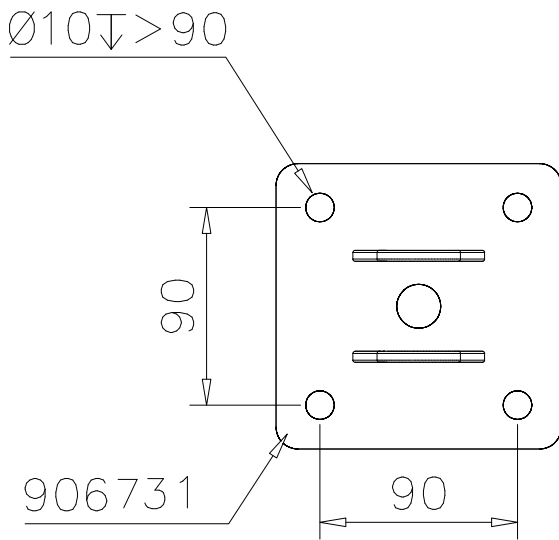
DET 49



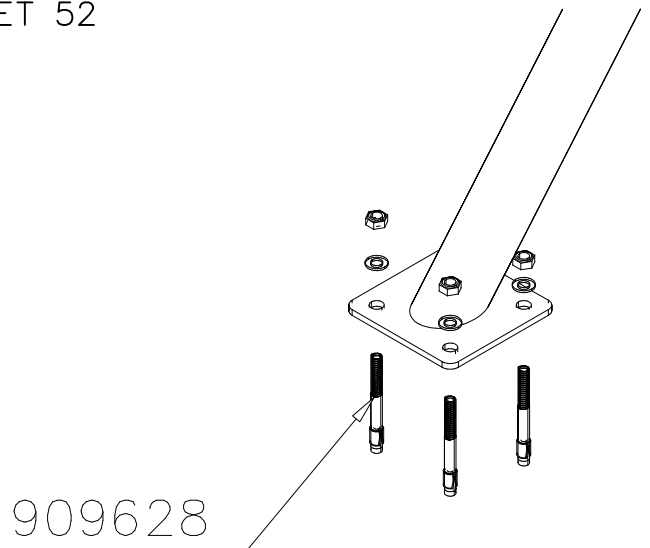
DET 50



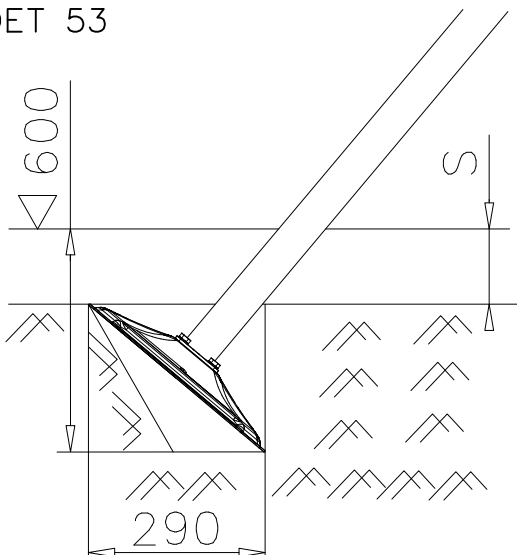
DET 51



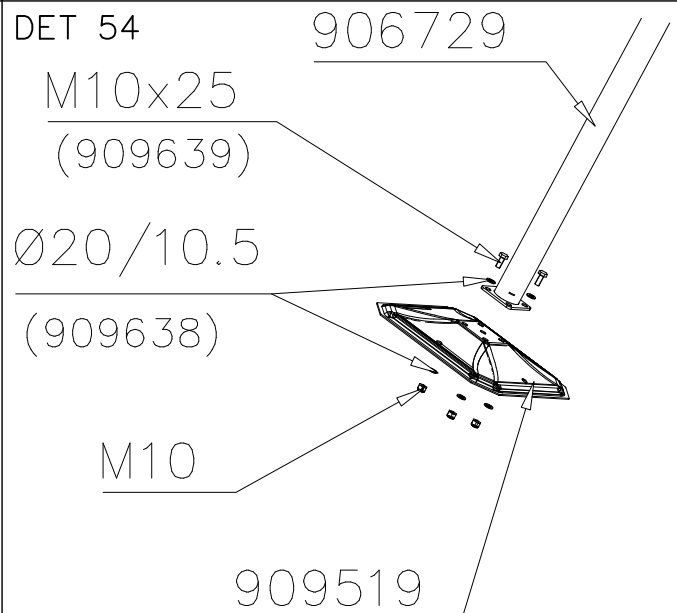
DET 52



DET 53

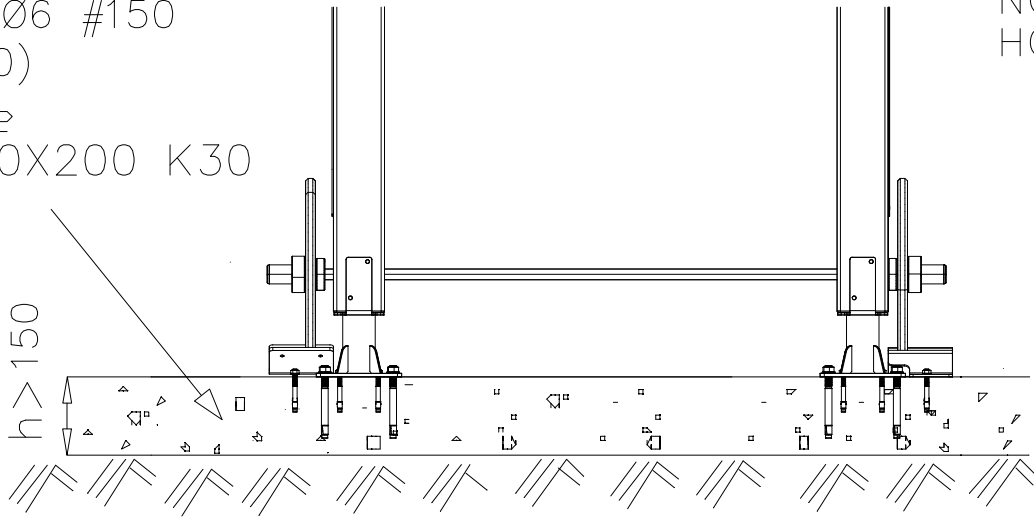


DET 54



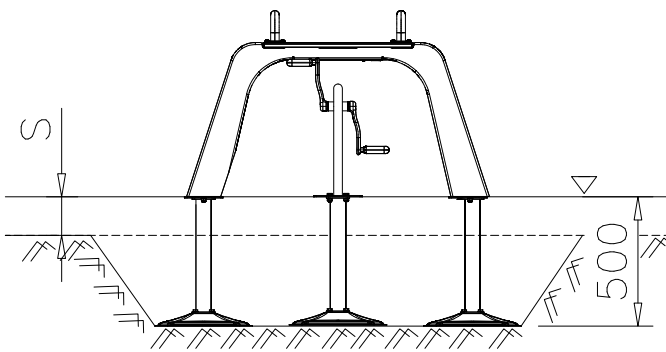
DET 55

STEELNET Ø6 #150
(1400x2100)
Concrete
1500X2200X200 K30

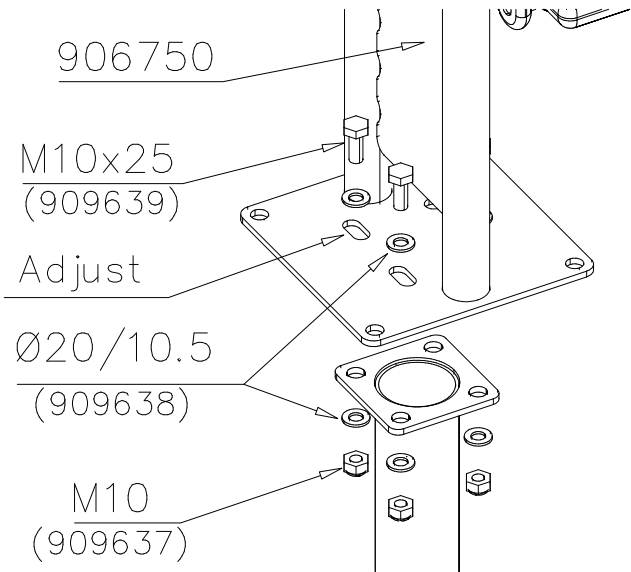


NOTE!
HOX!

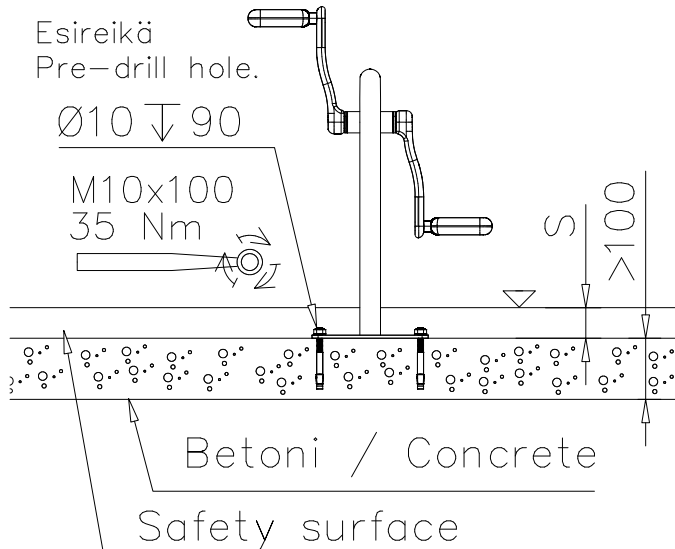
DET 56



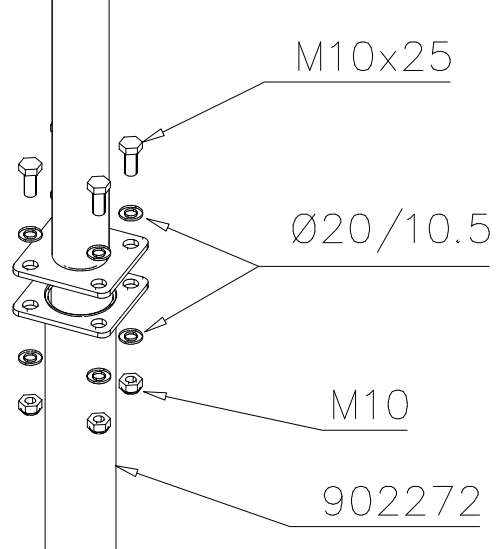
DET 57



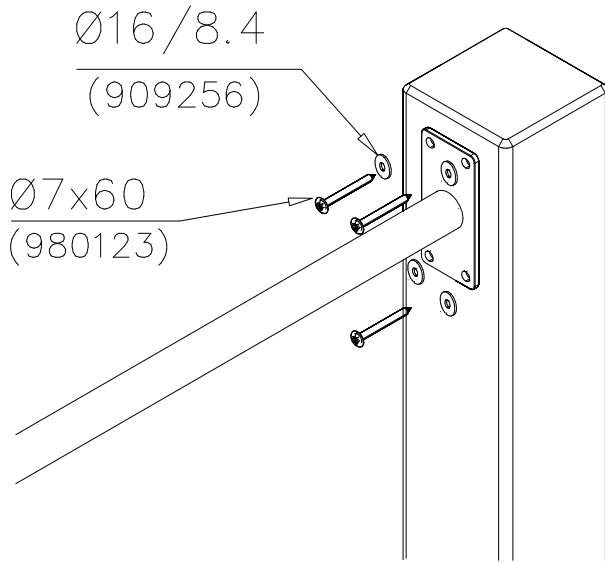
DET 58



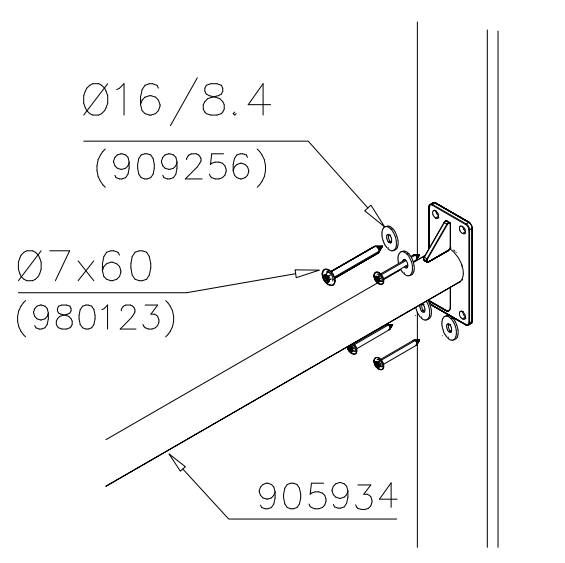
DET 59



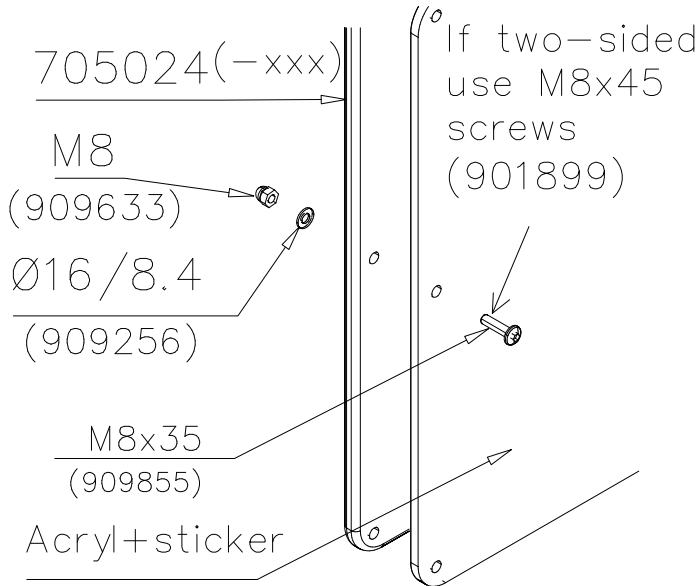
DET 1



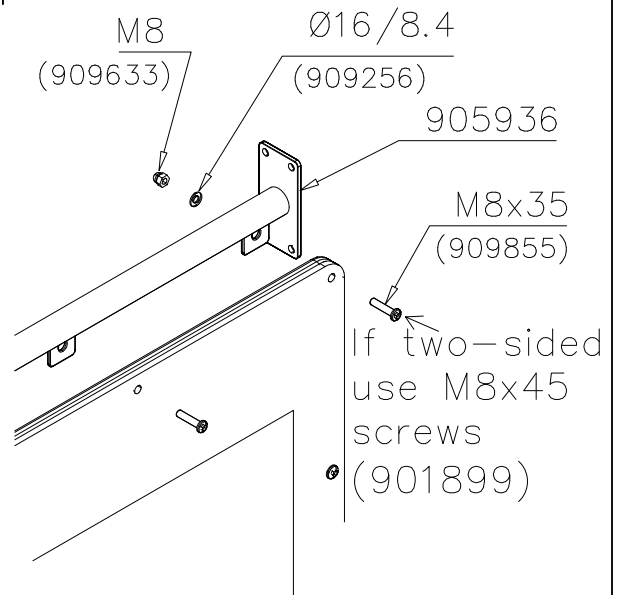
DET 2



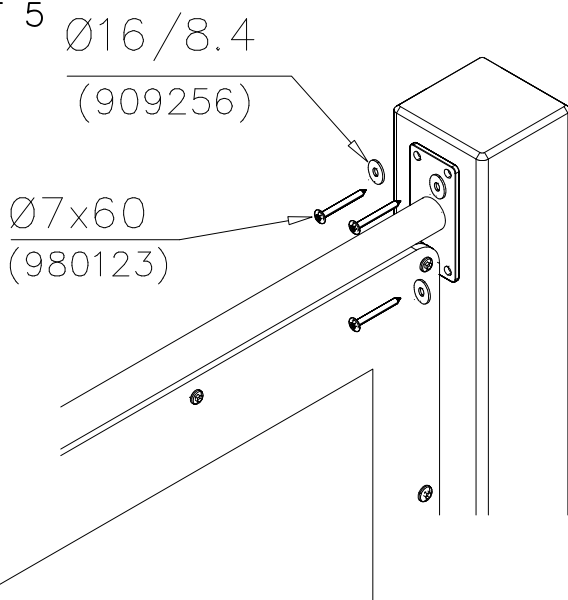
DET 3



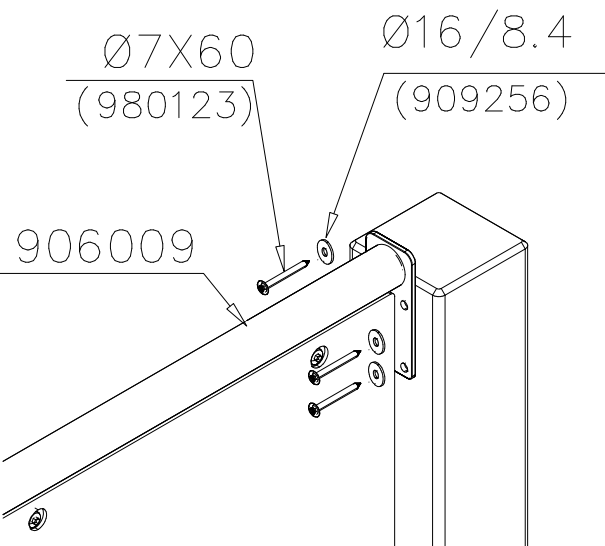
DET 4

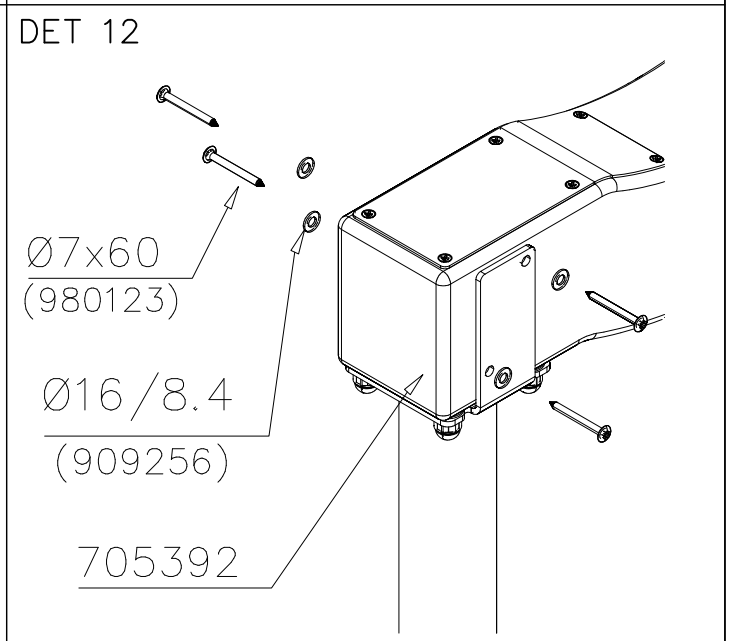
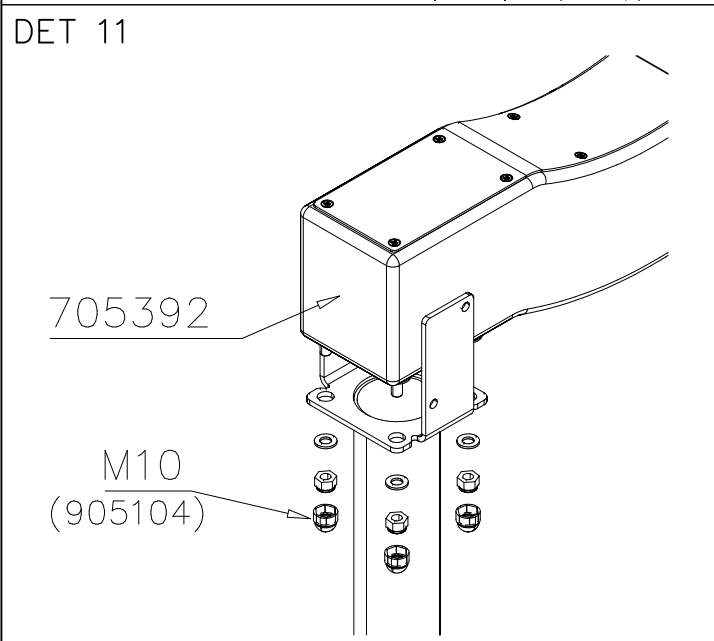
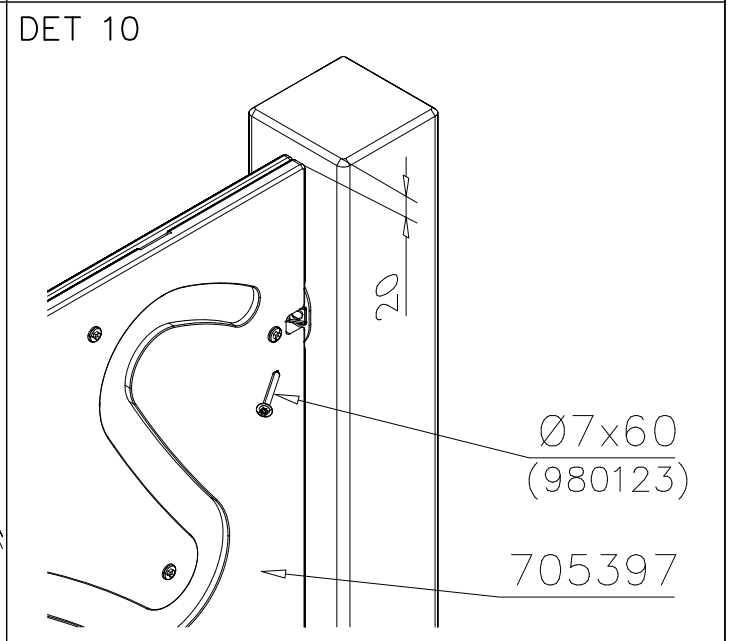
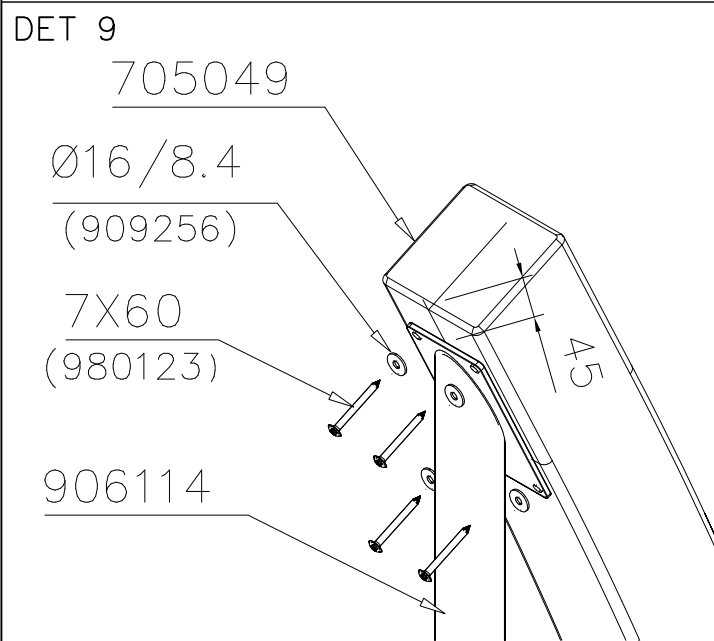
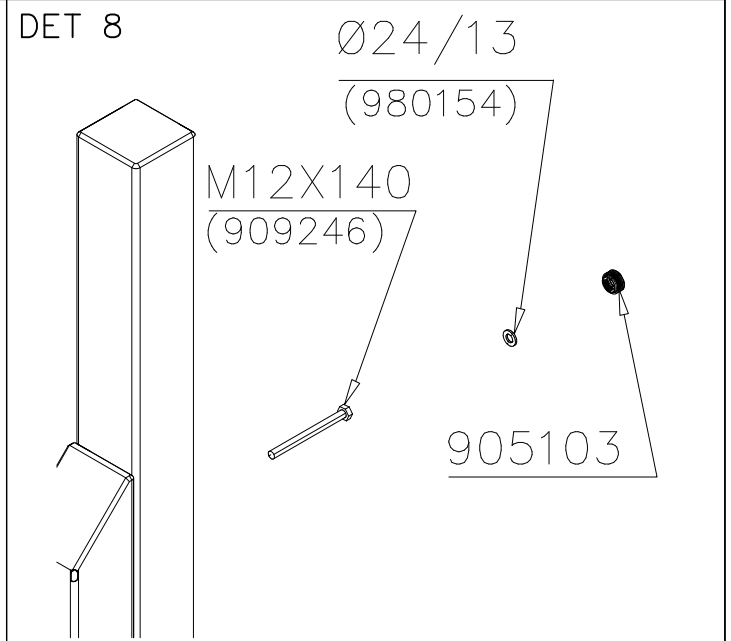
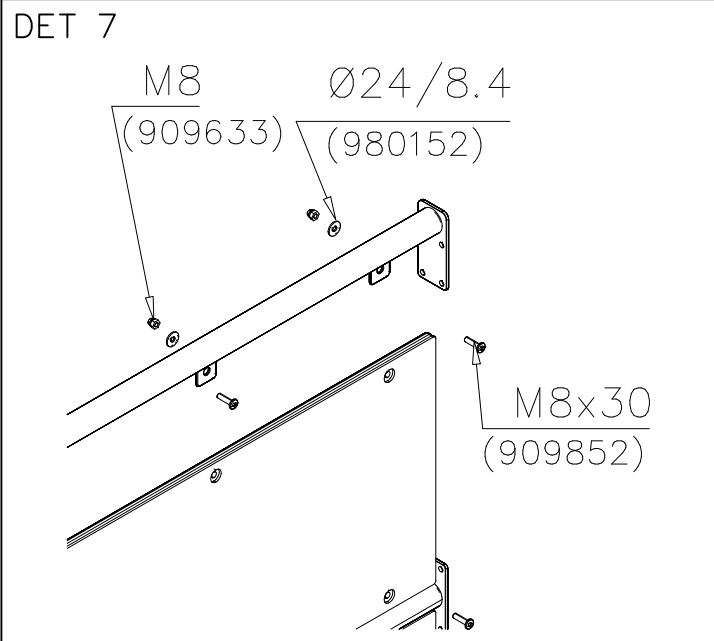


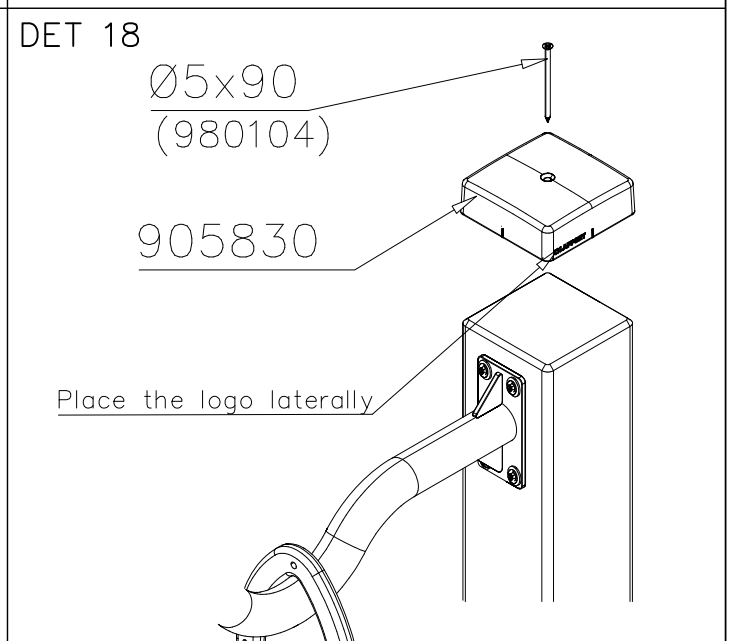
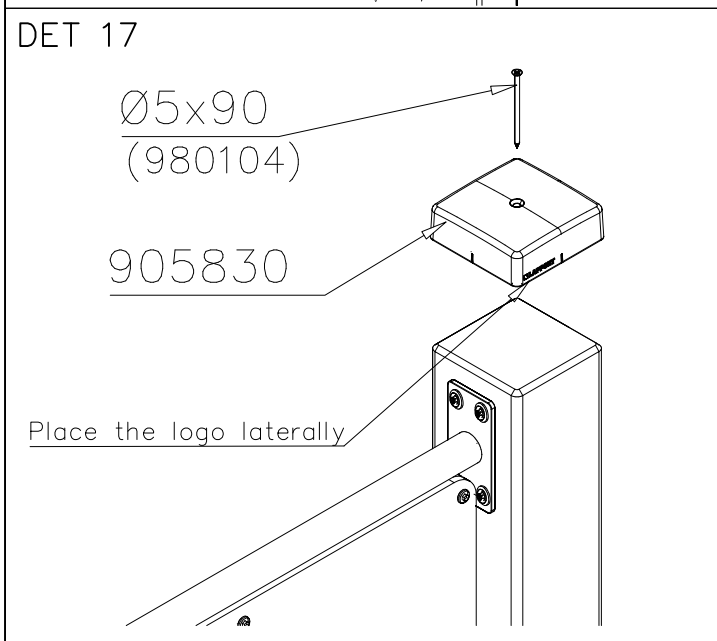
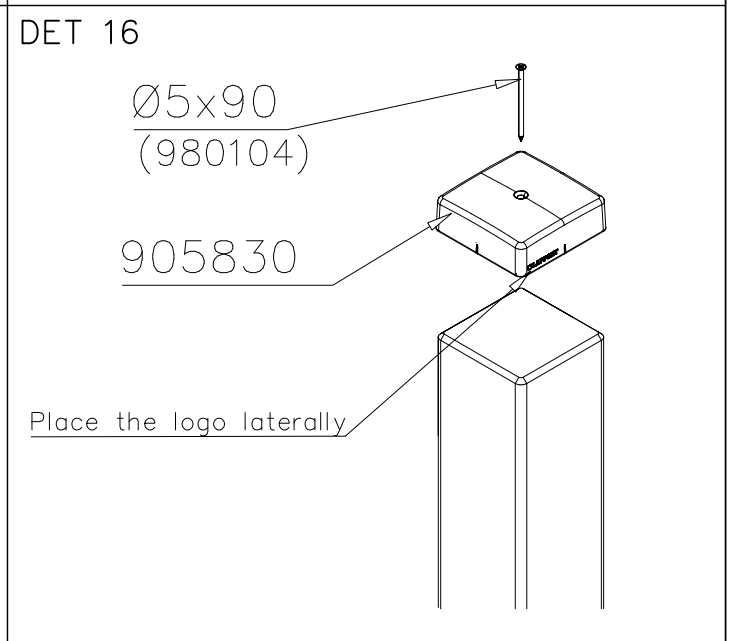
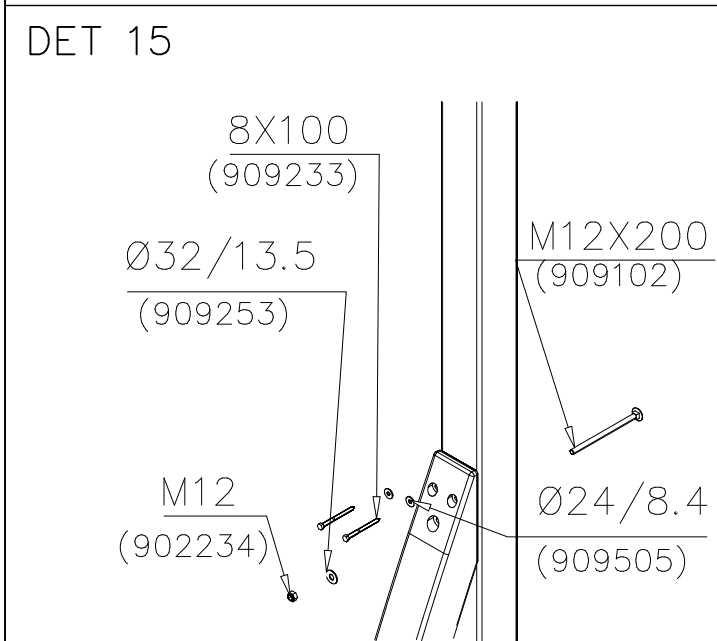
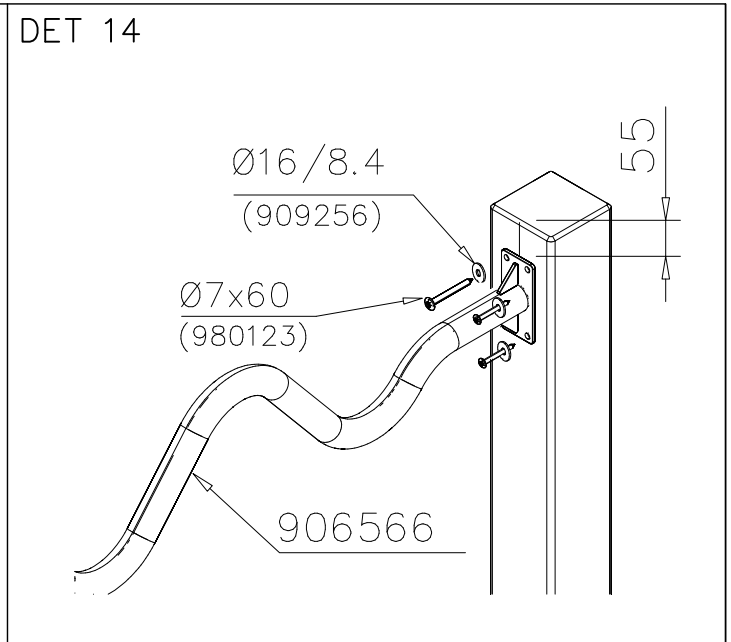
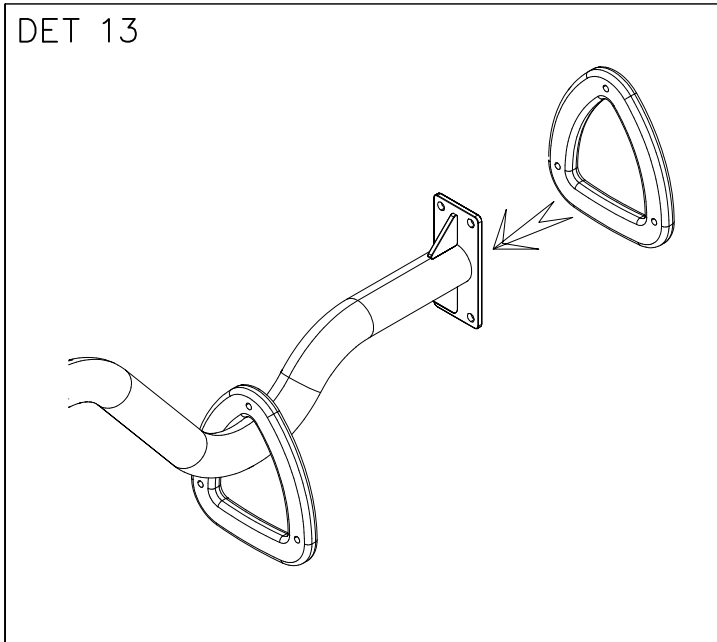
DET 5

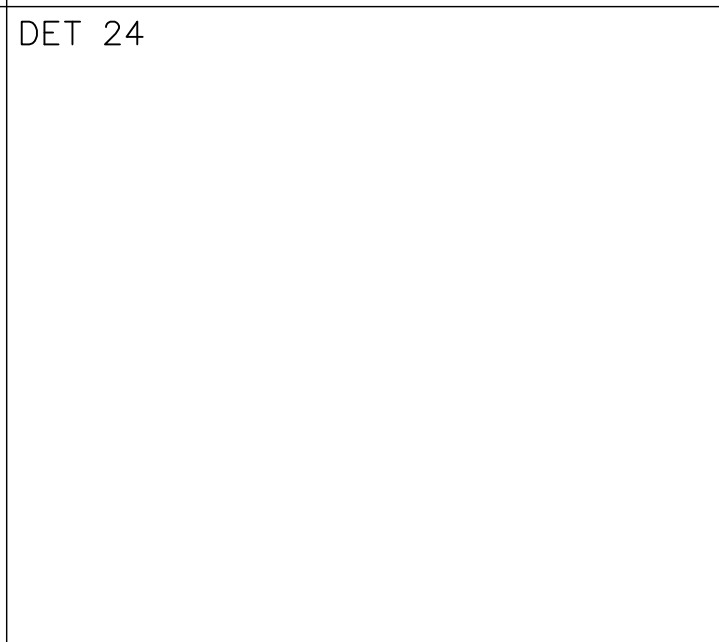
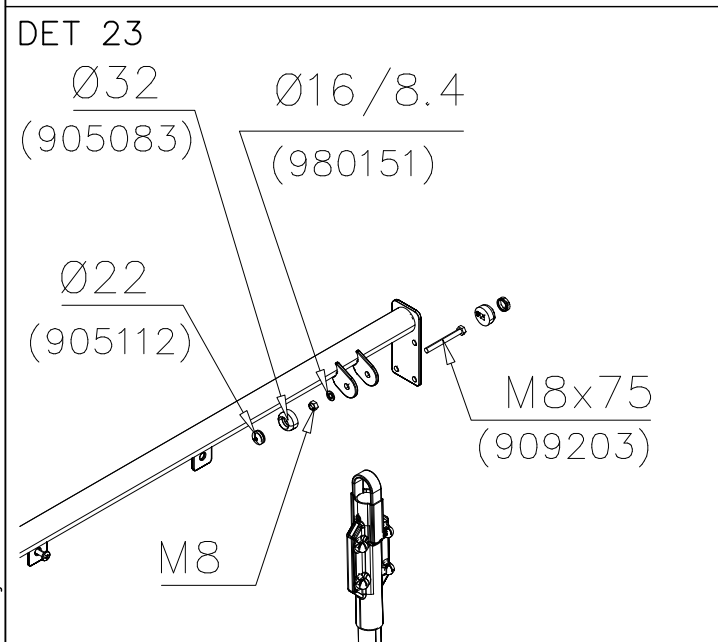
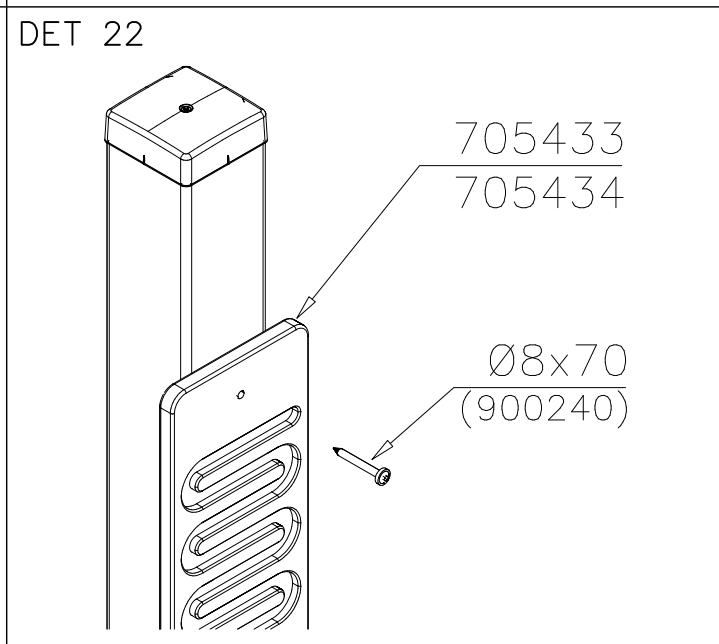
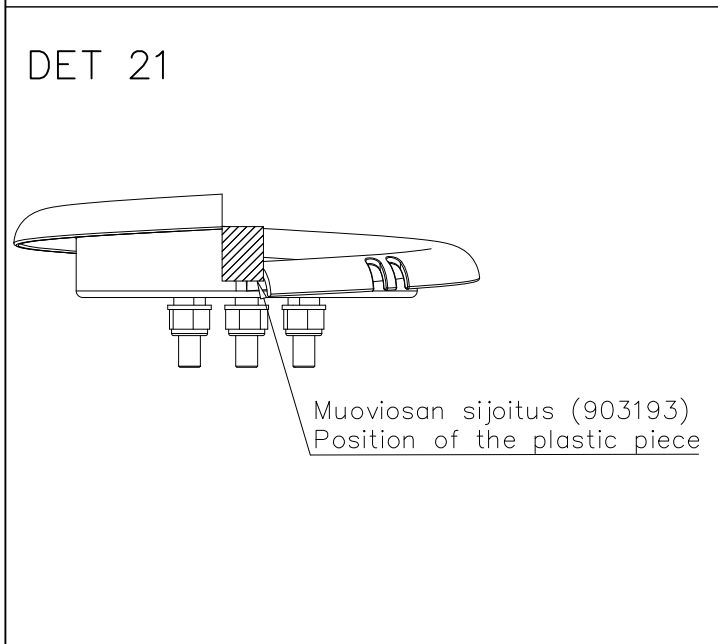
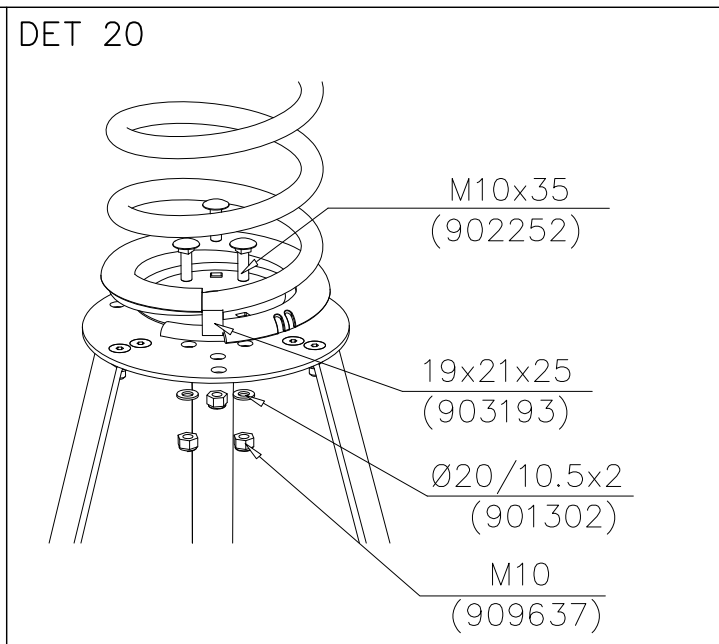
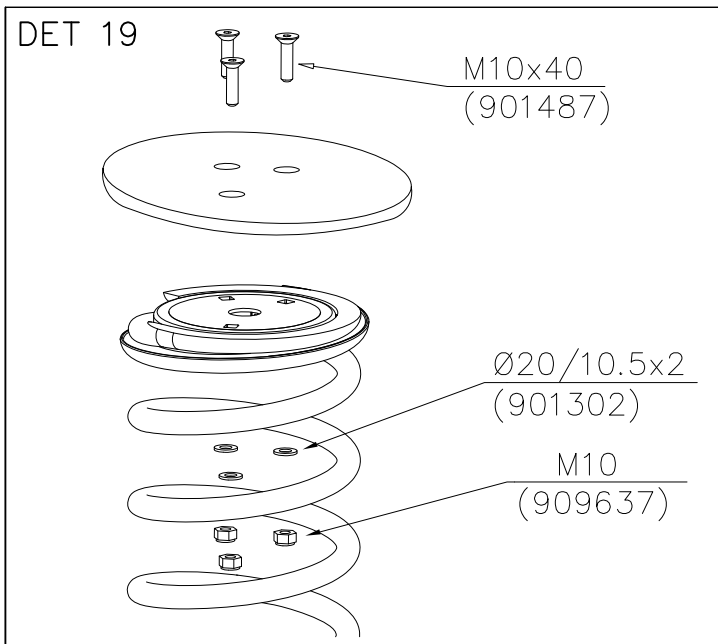


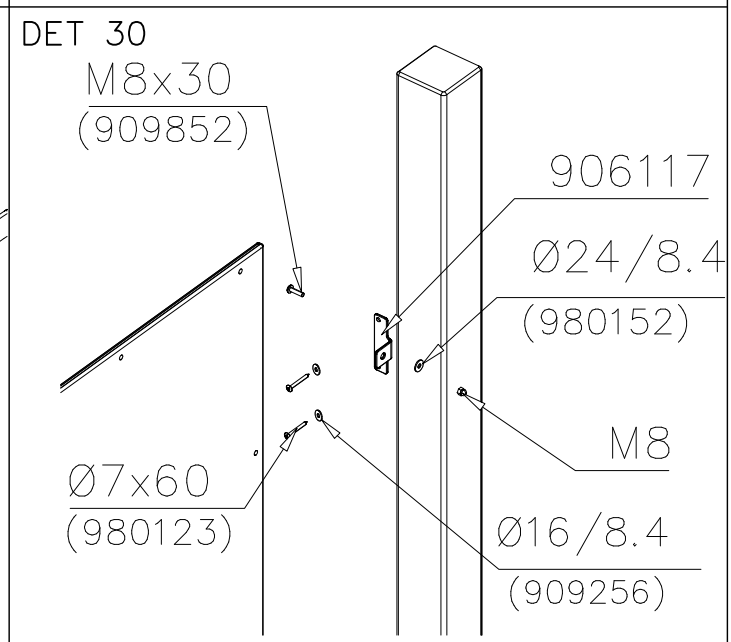
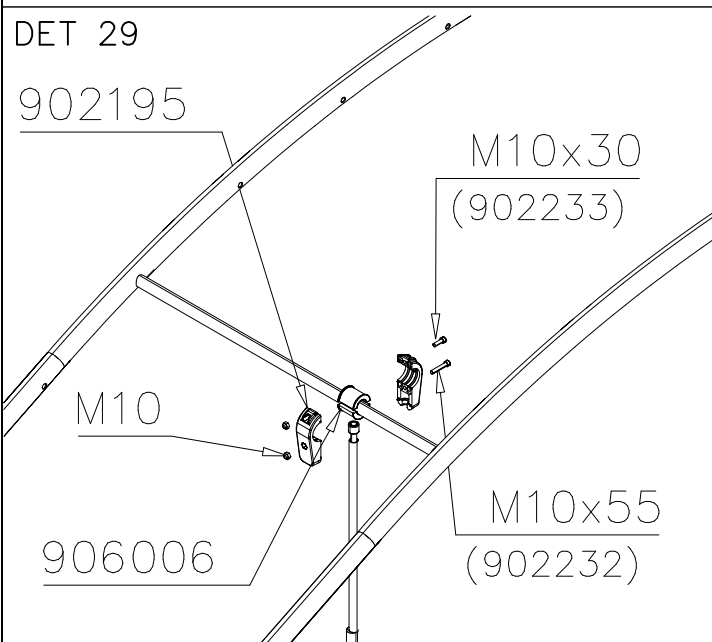
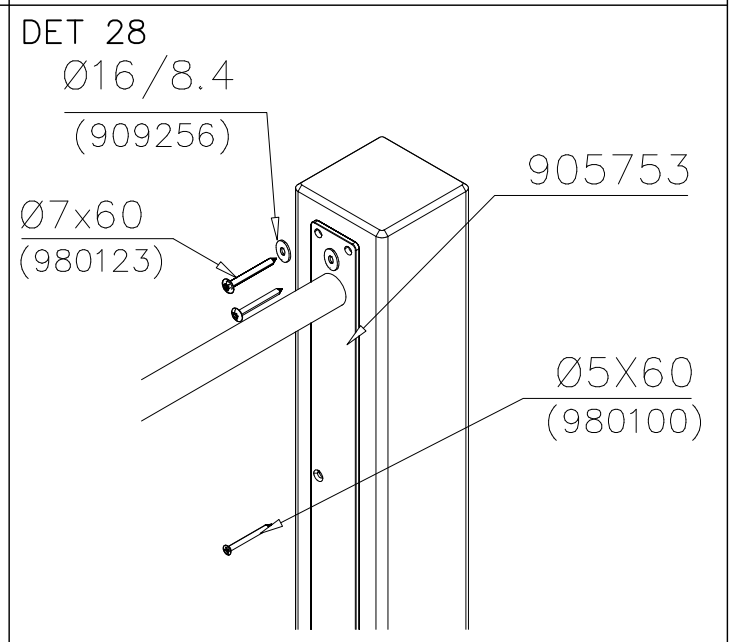
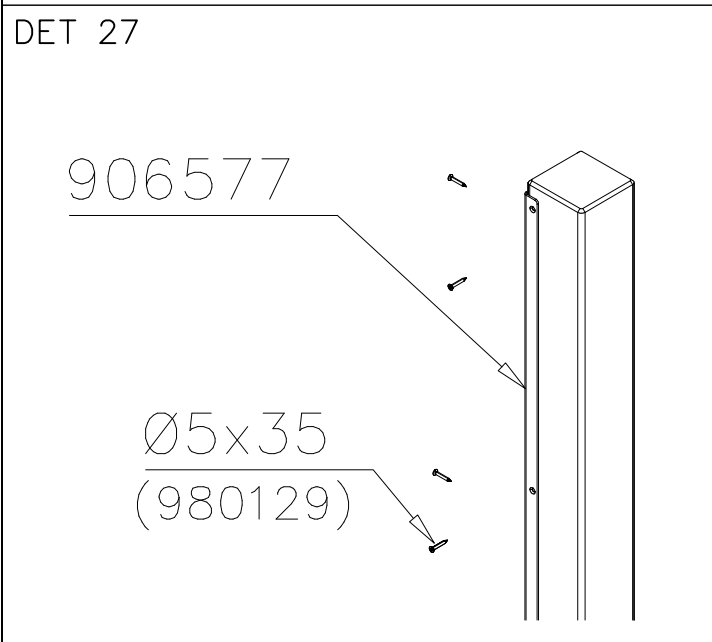
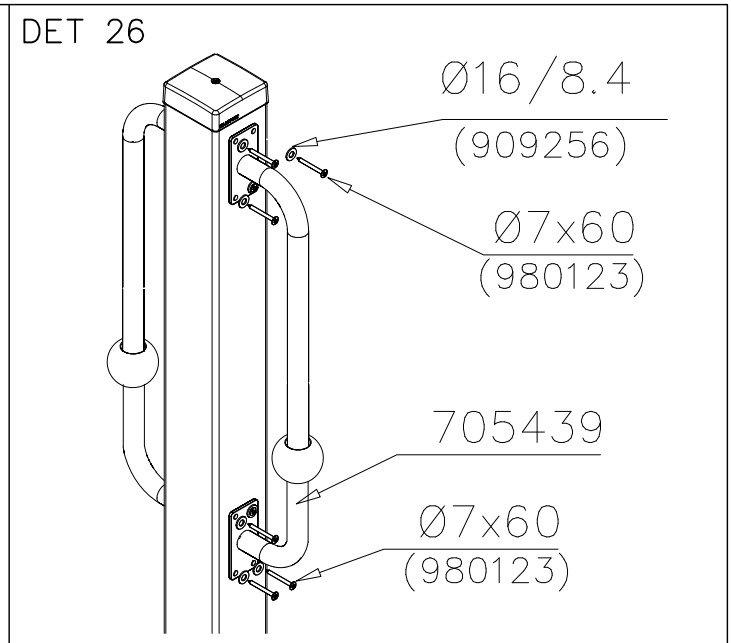
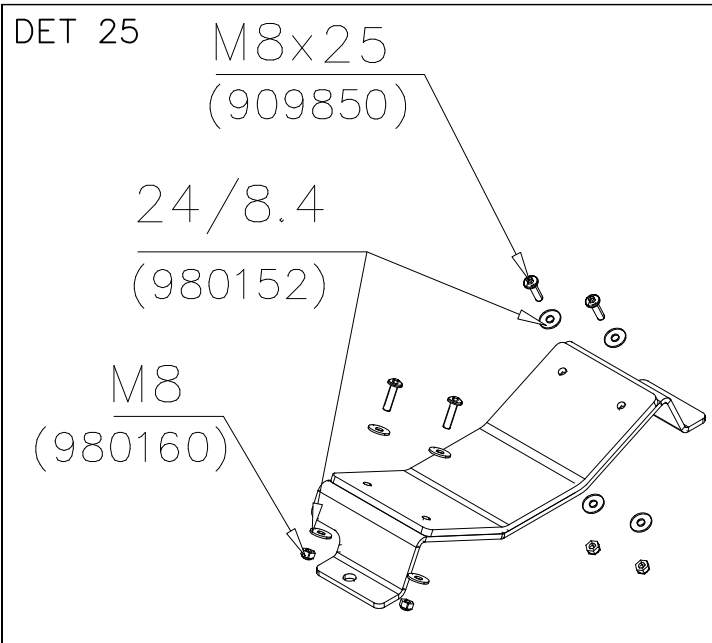
DET 6



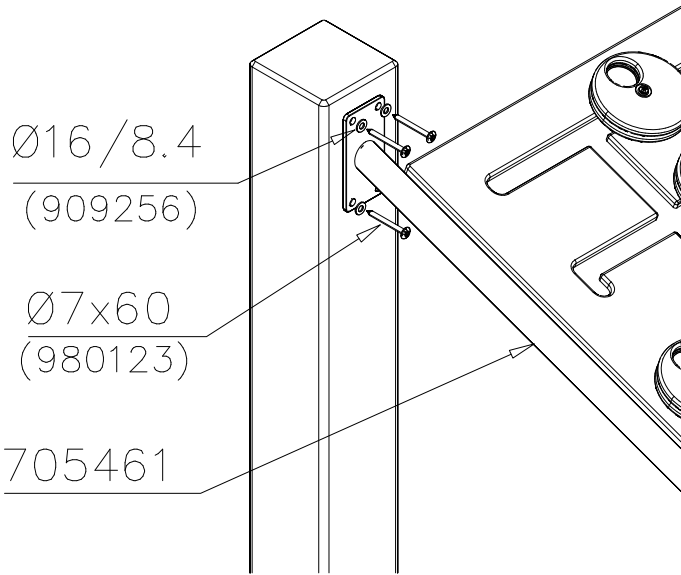




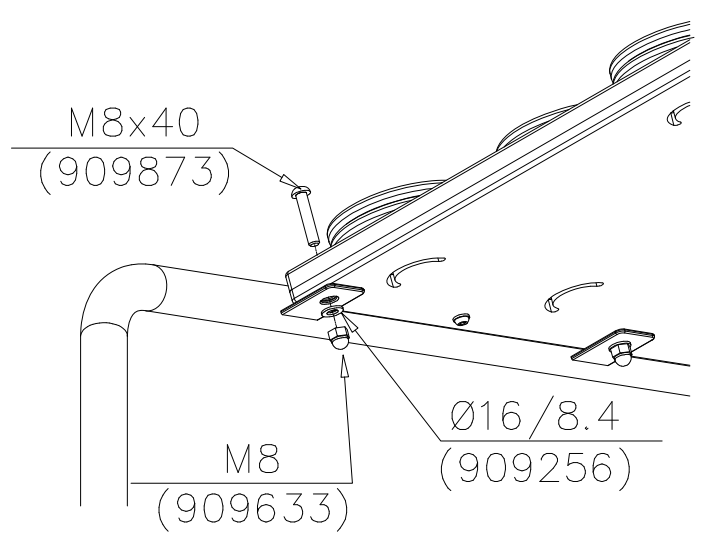




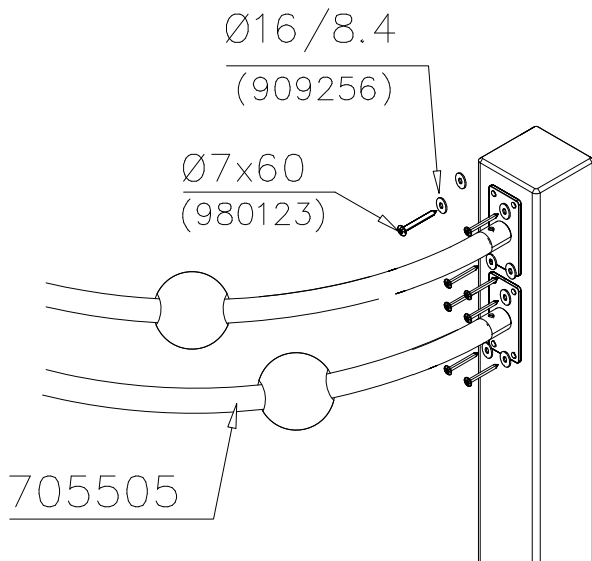
DET 31



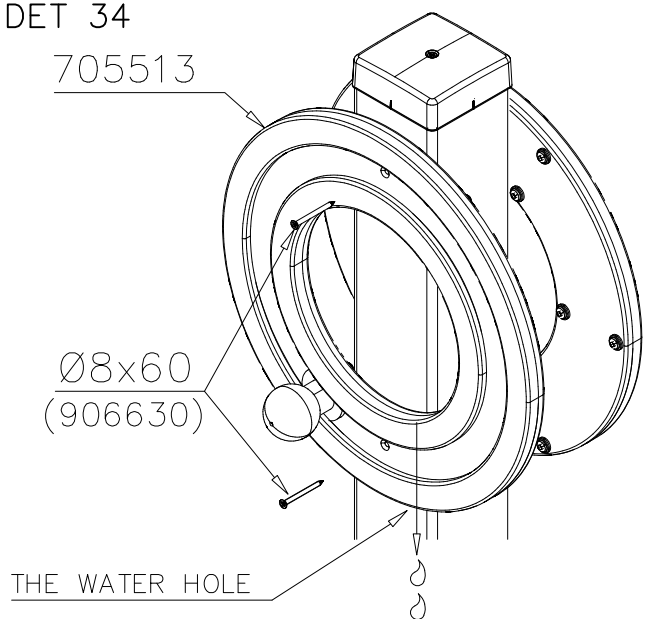
DET 32



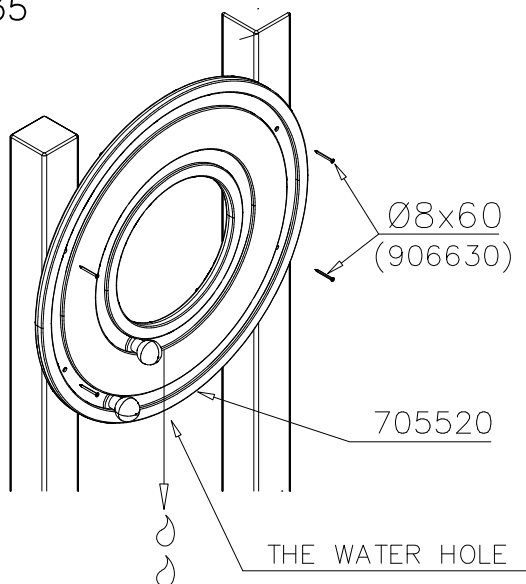
DET 33



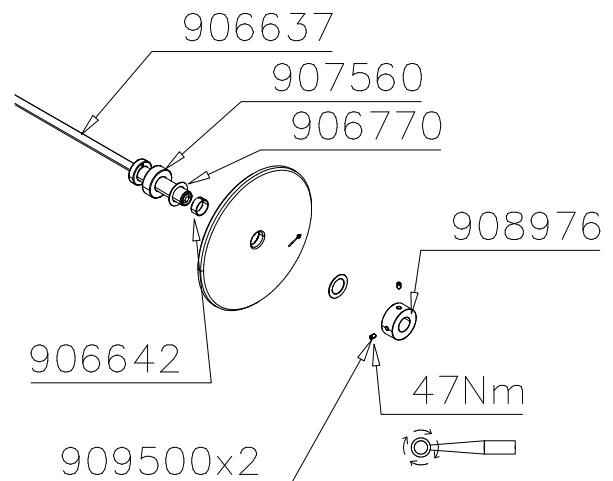
DET 34

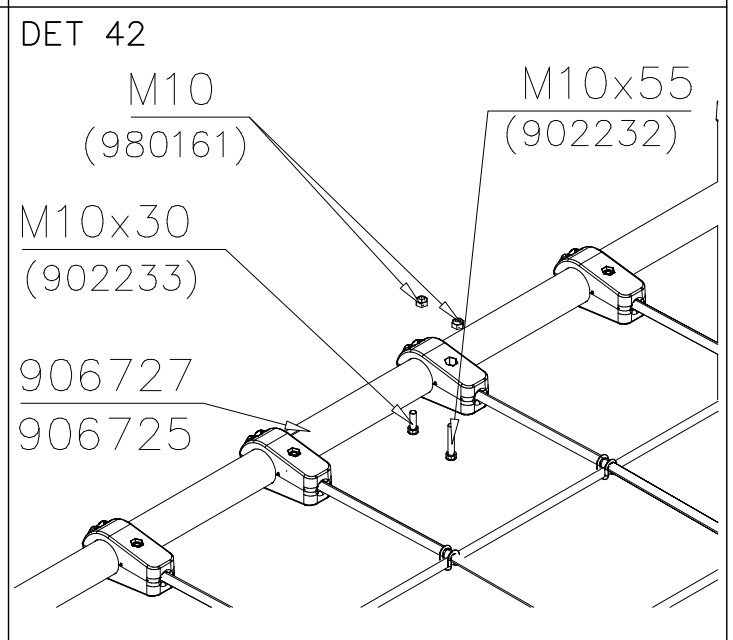
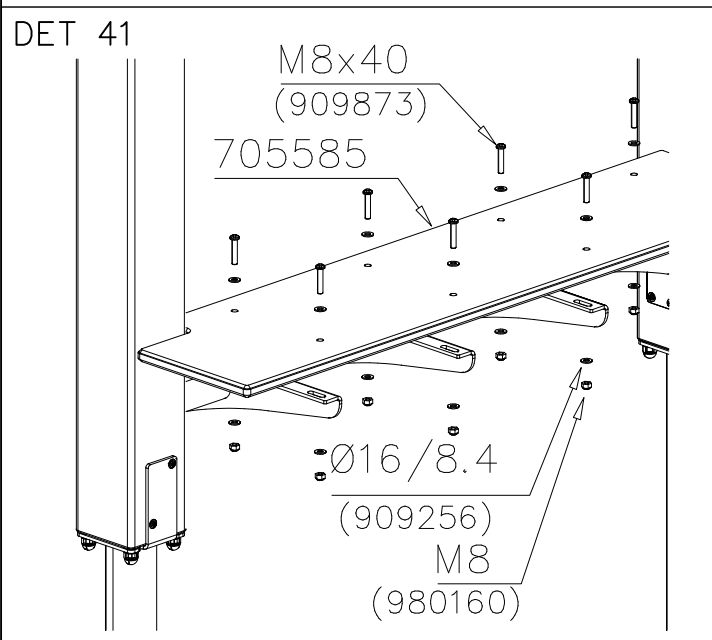
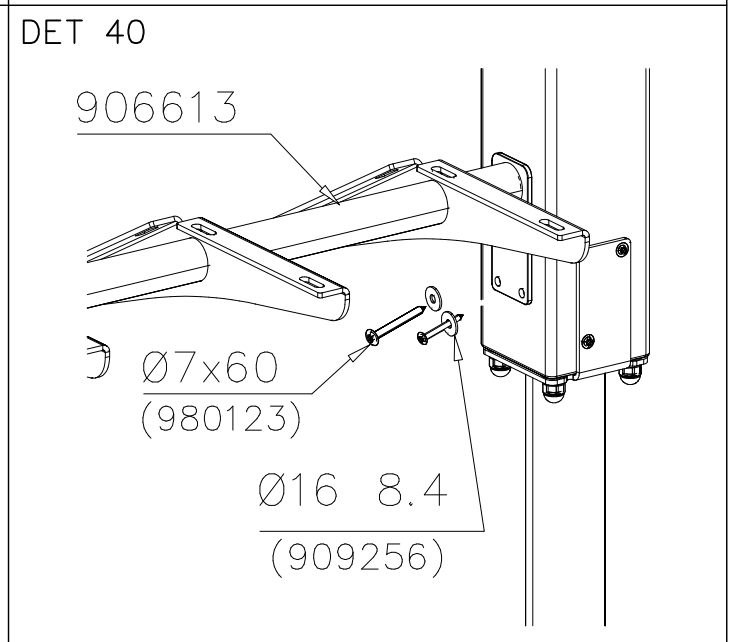
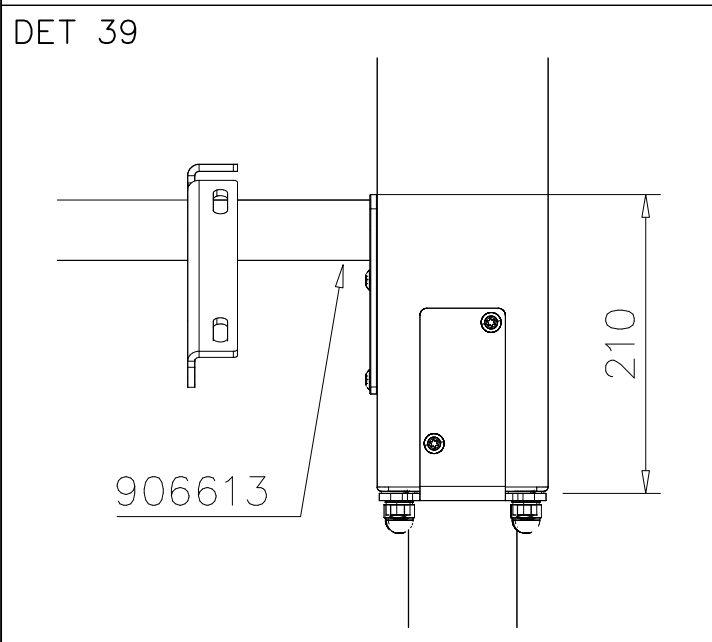
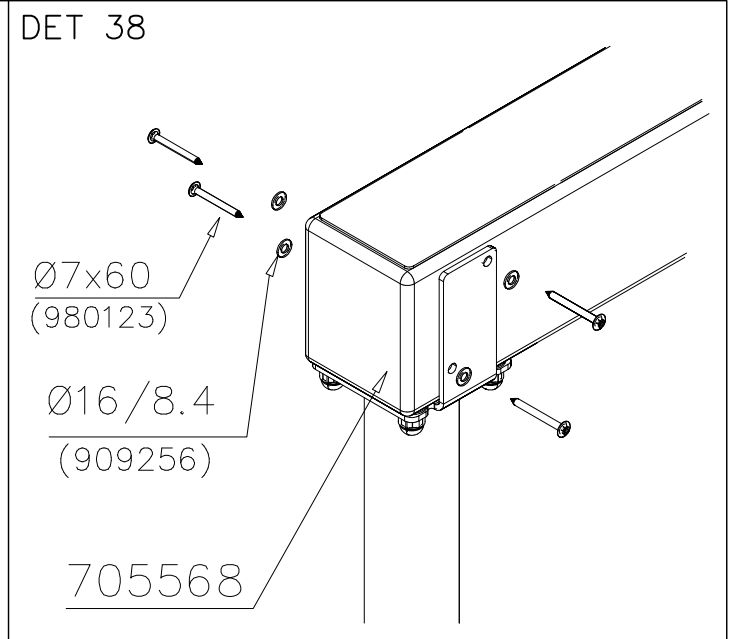
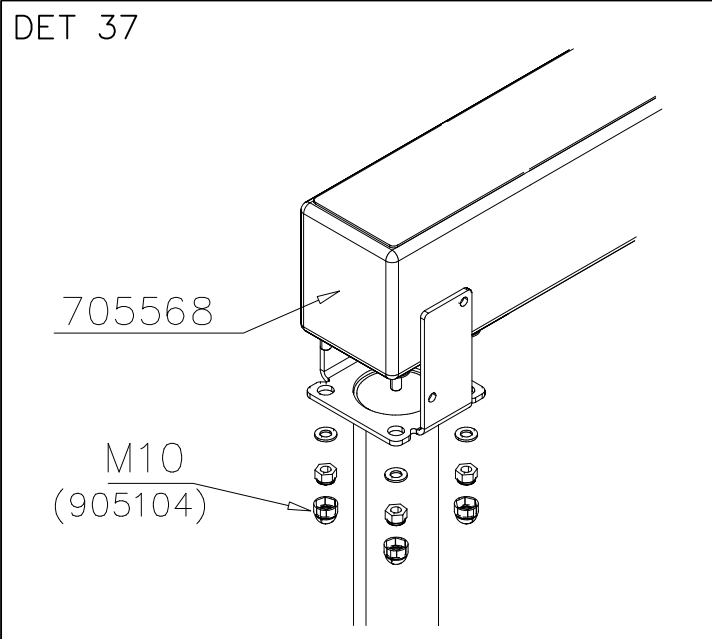


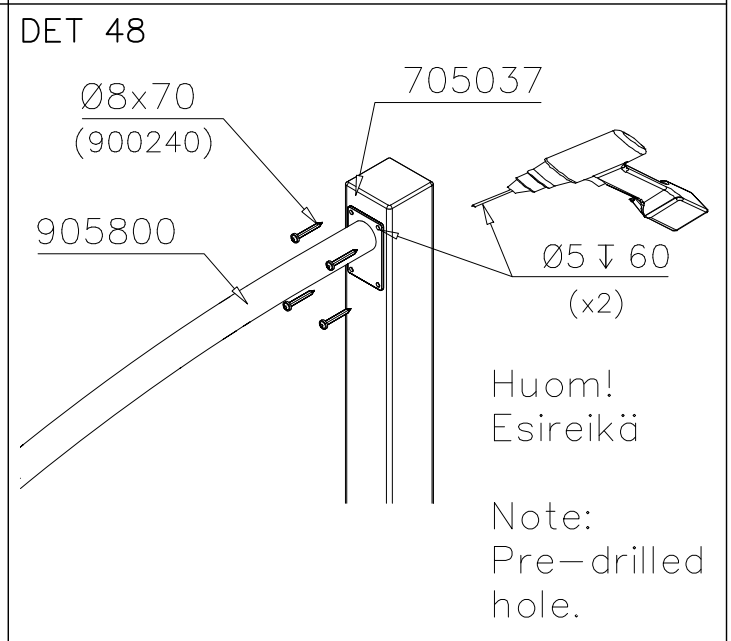
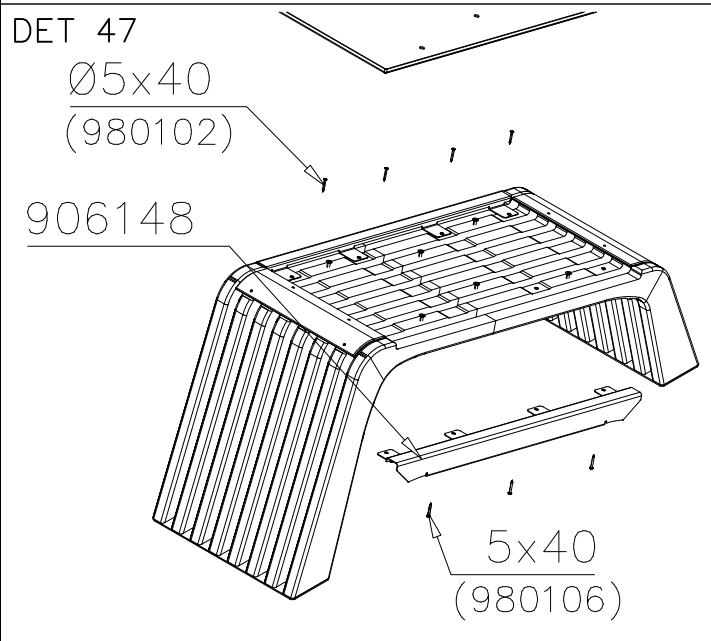
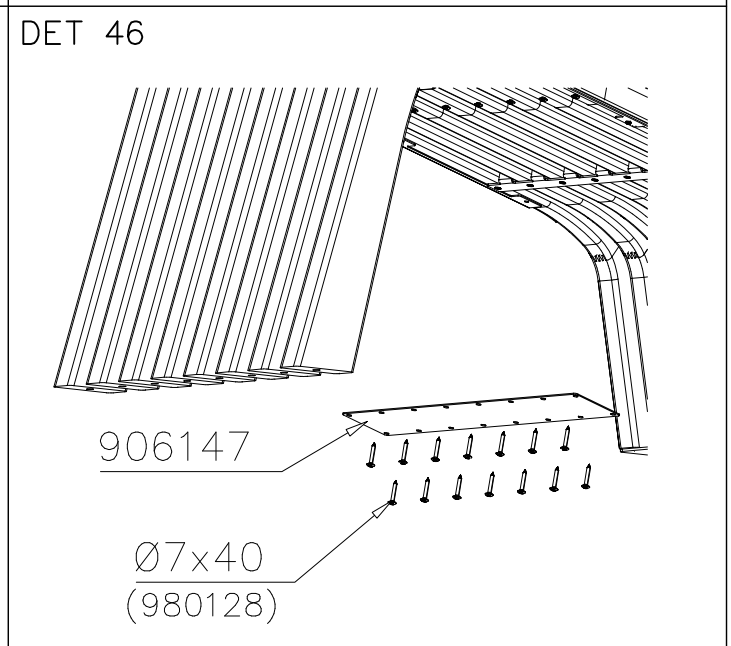
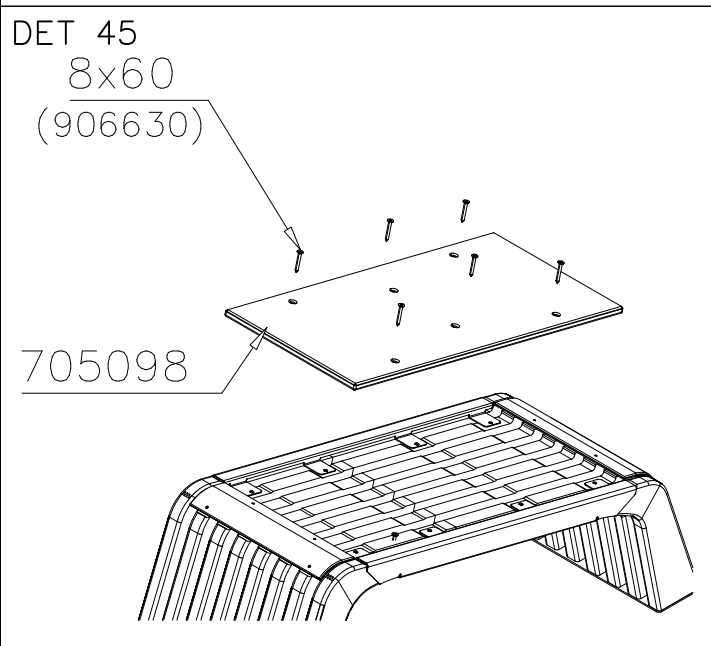
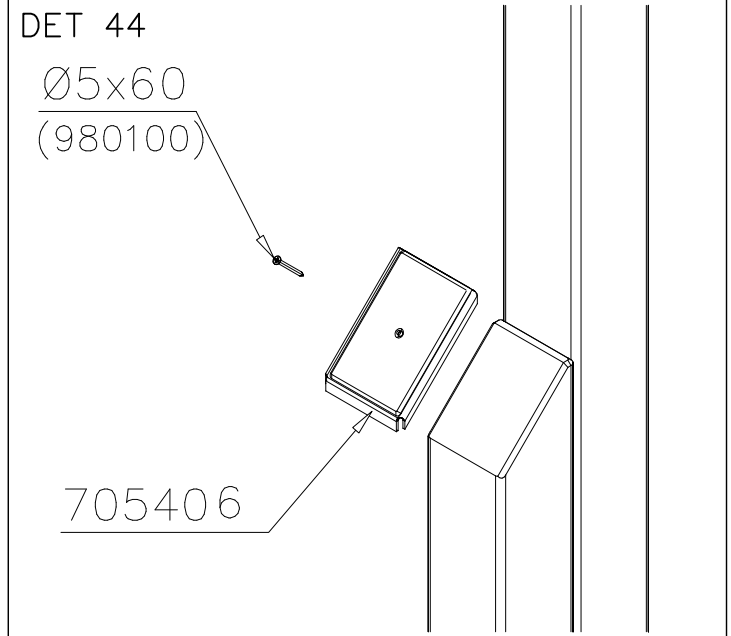
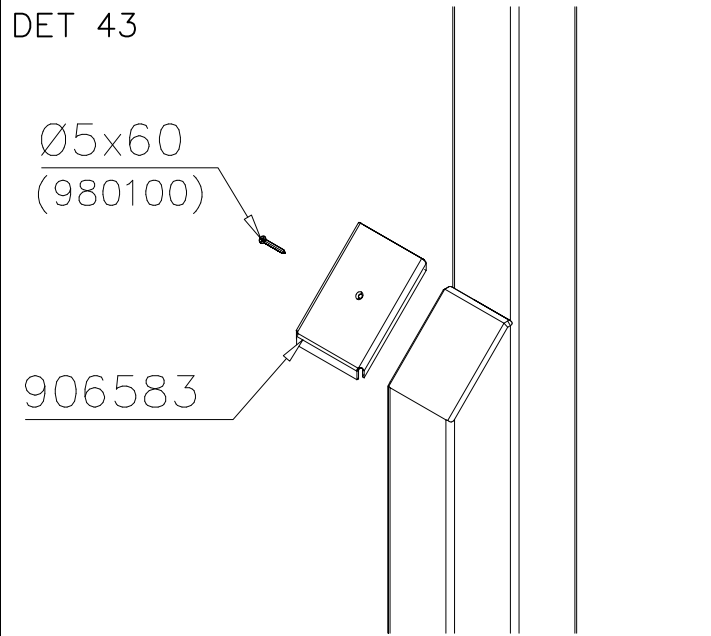
DET 35

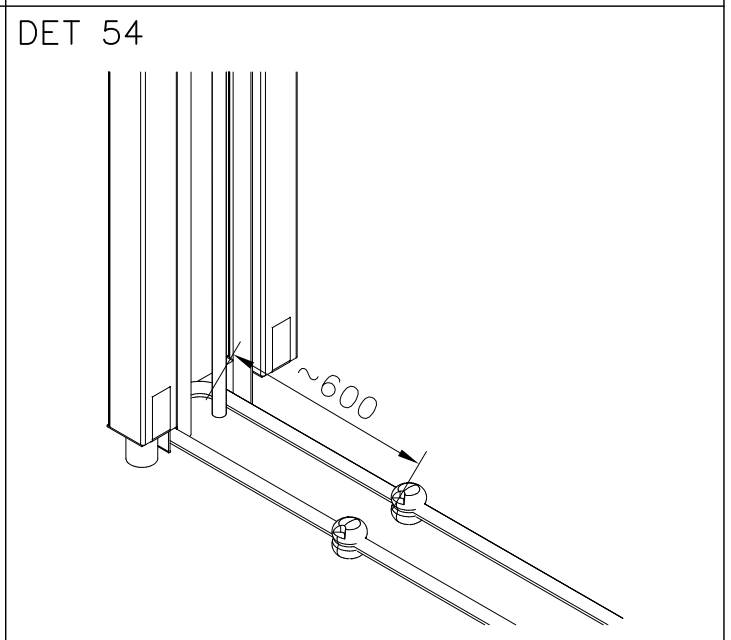
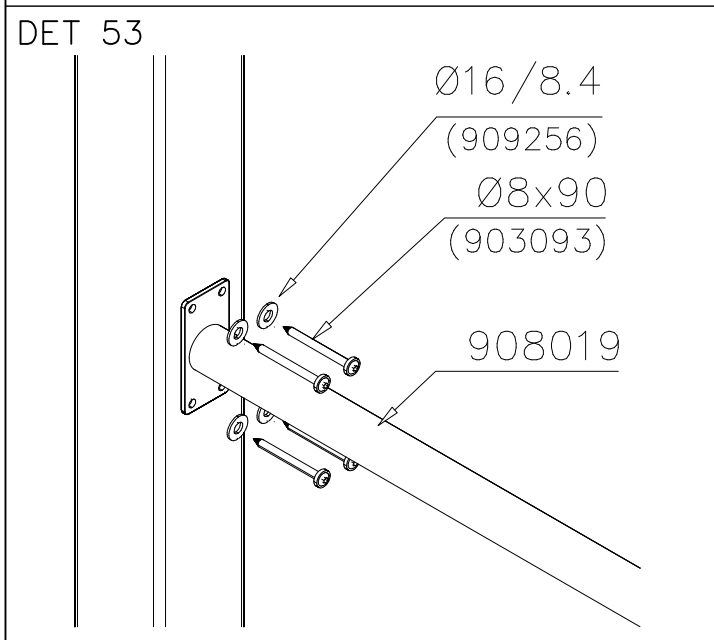
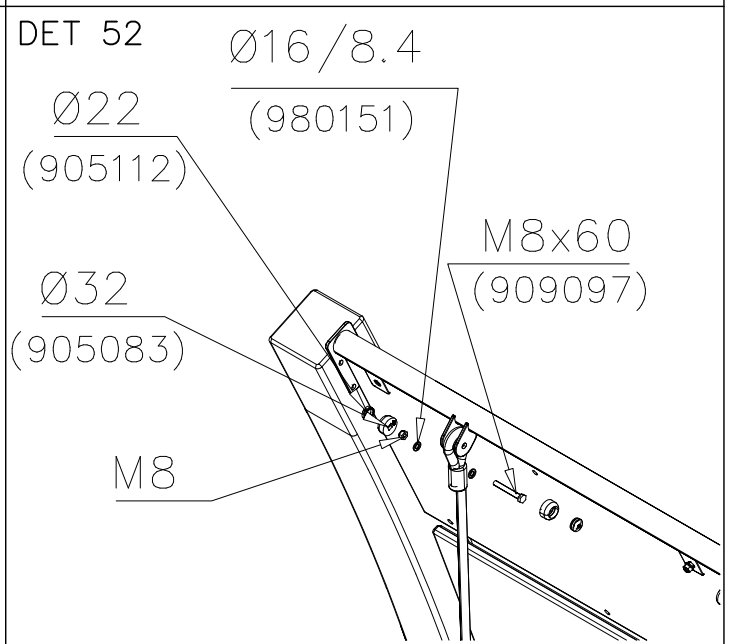
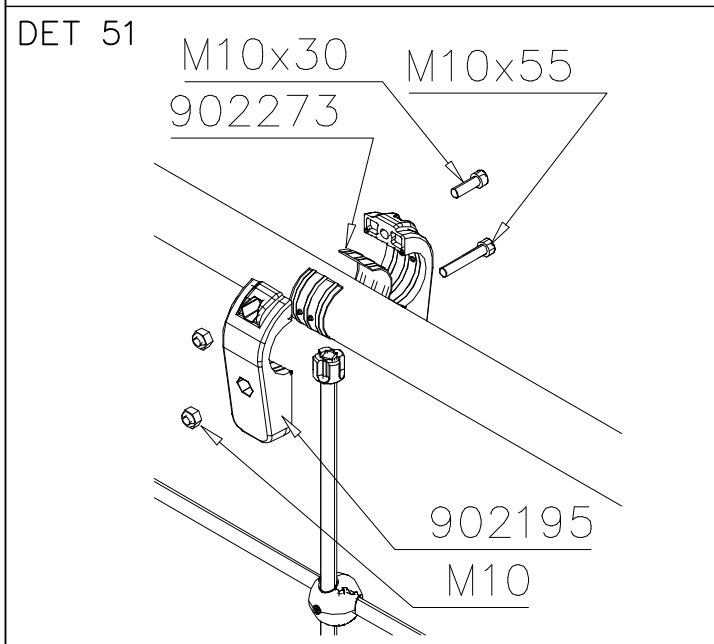
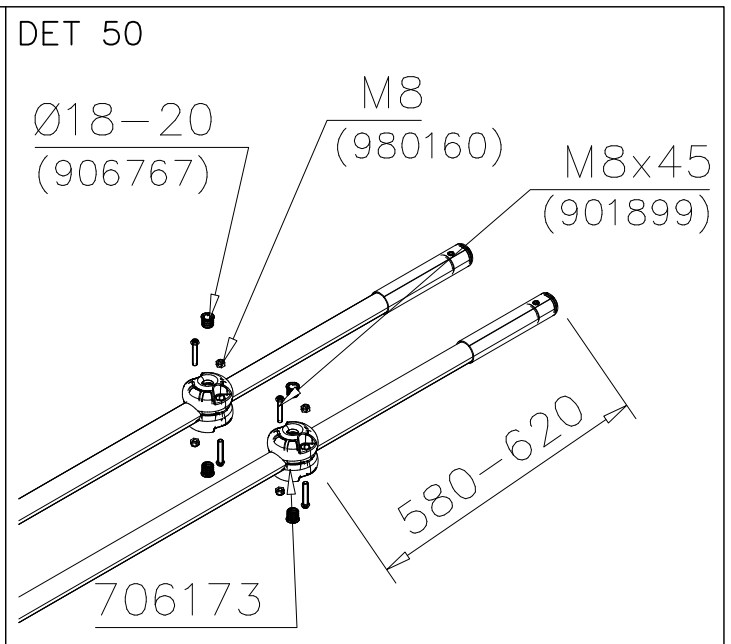
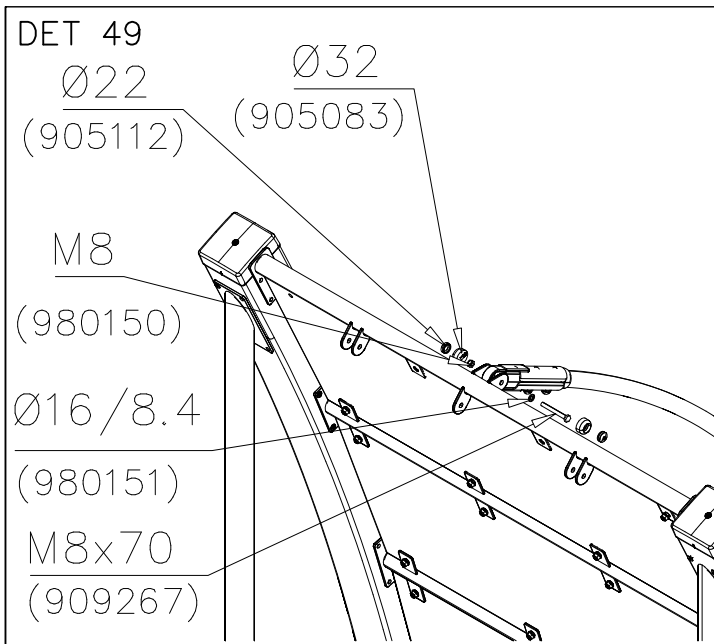


DET 36

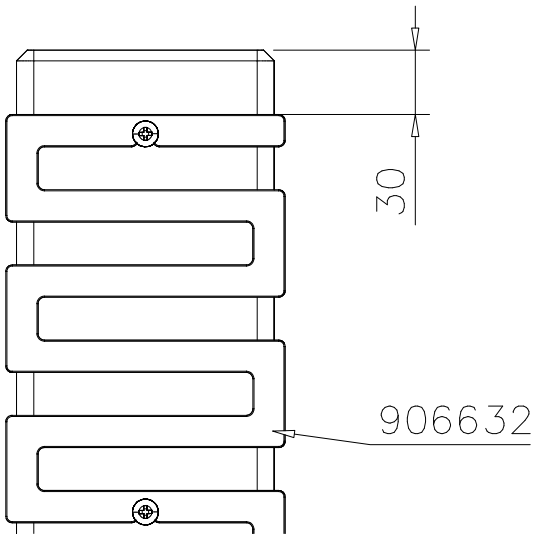




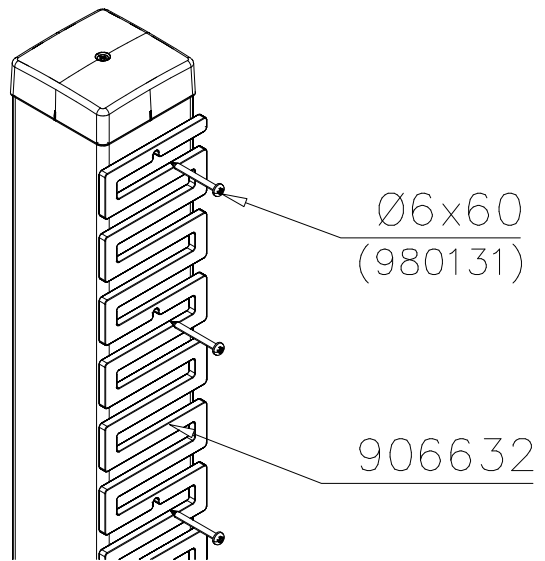




DET 55



DET 56

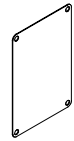



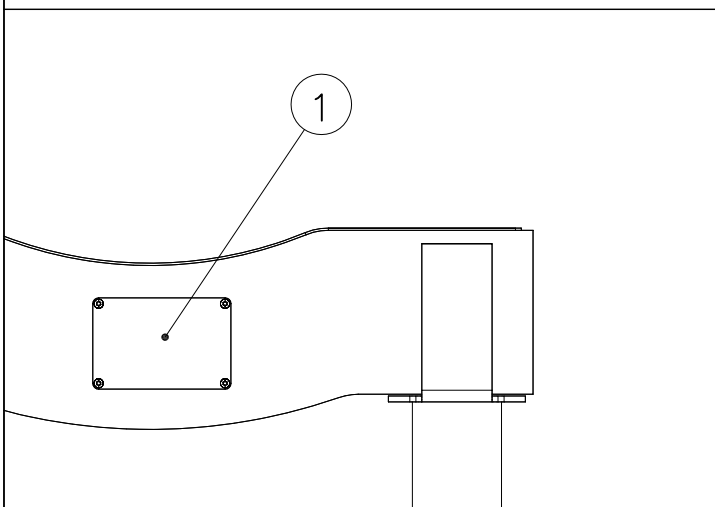
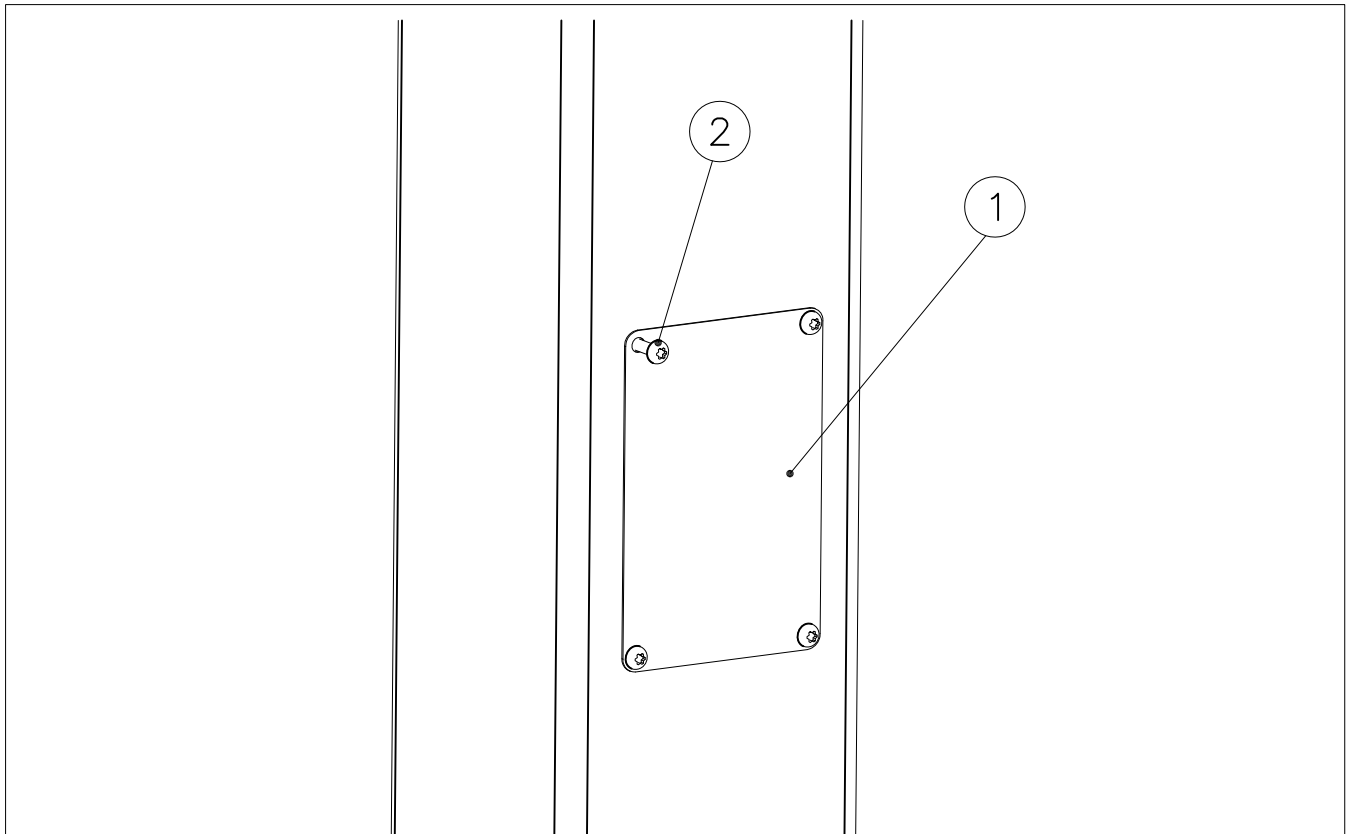
DET 57

DET 58

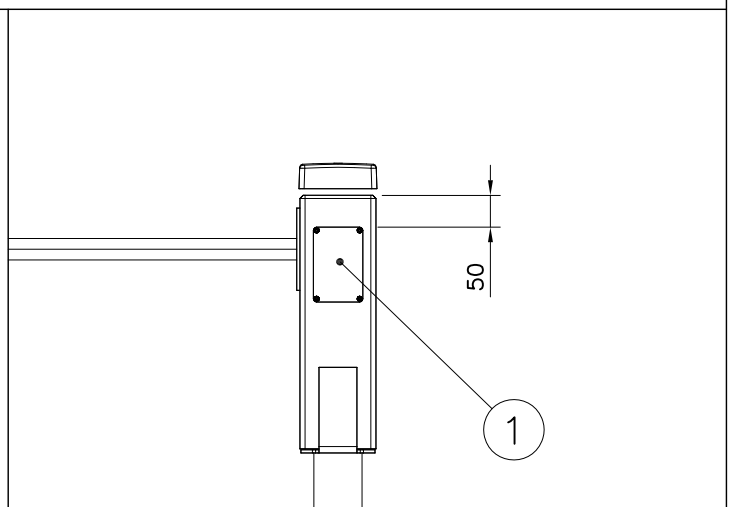
DET 59

DET 60

① SHEET METAL	PCS	② 980114	PCS
	1		4
118x78x0.7		Ø4x20	

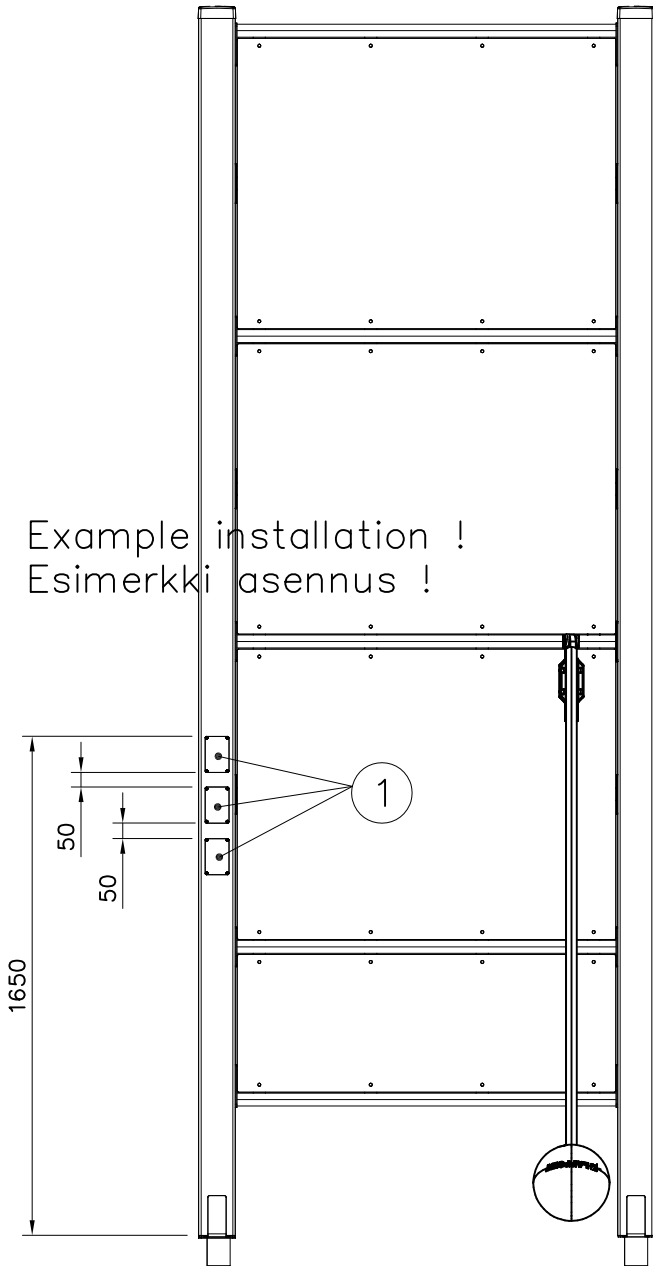


Example installation !
Esimerkki asennus !

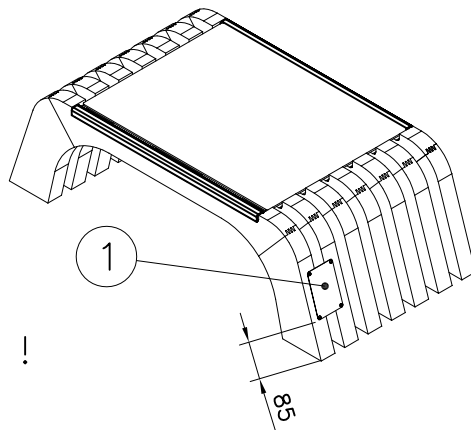
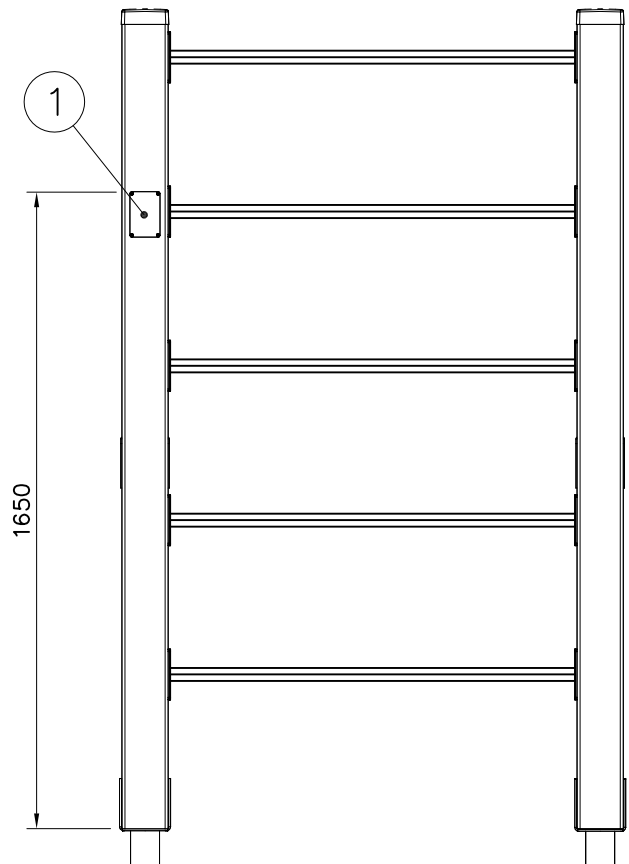


Example installation !
Esimerkki asennus !

Example installation !
Esimerkki asennus !



Example installation !
Esimerkki asennus !



Example installation !
Esimerkki asennus !