

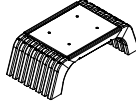
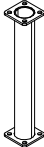
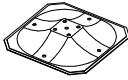
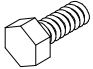


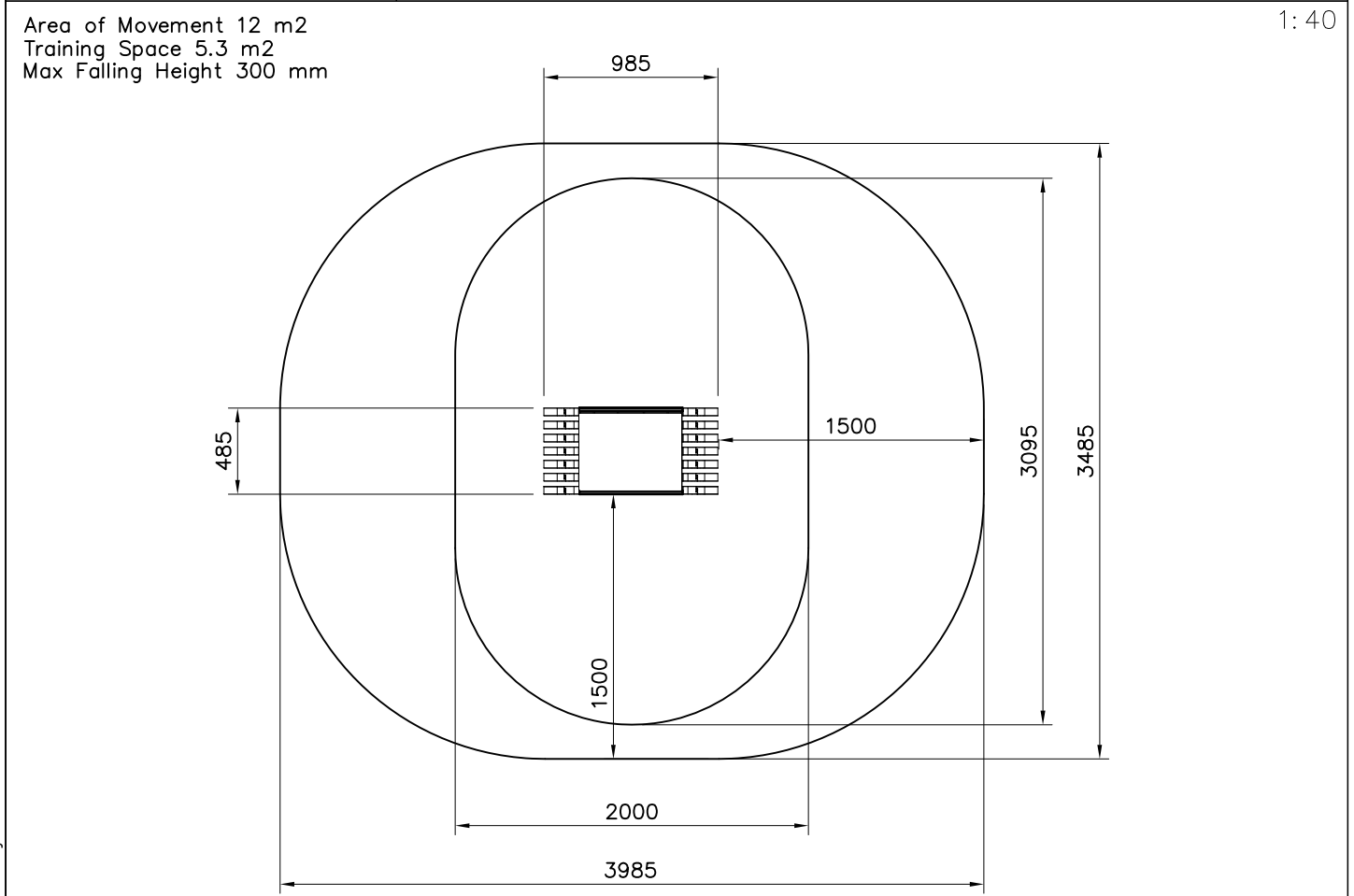
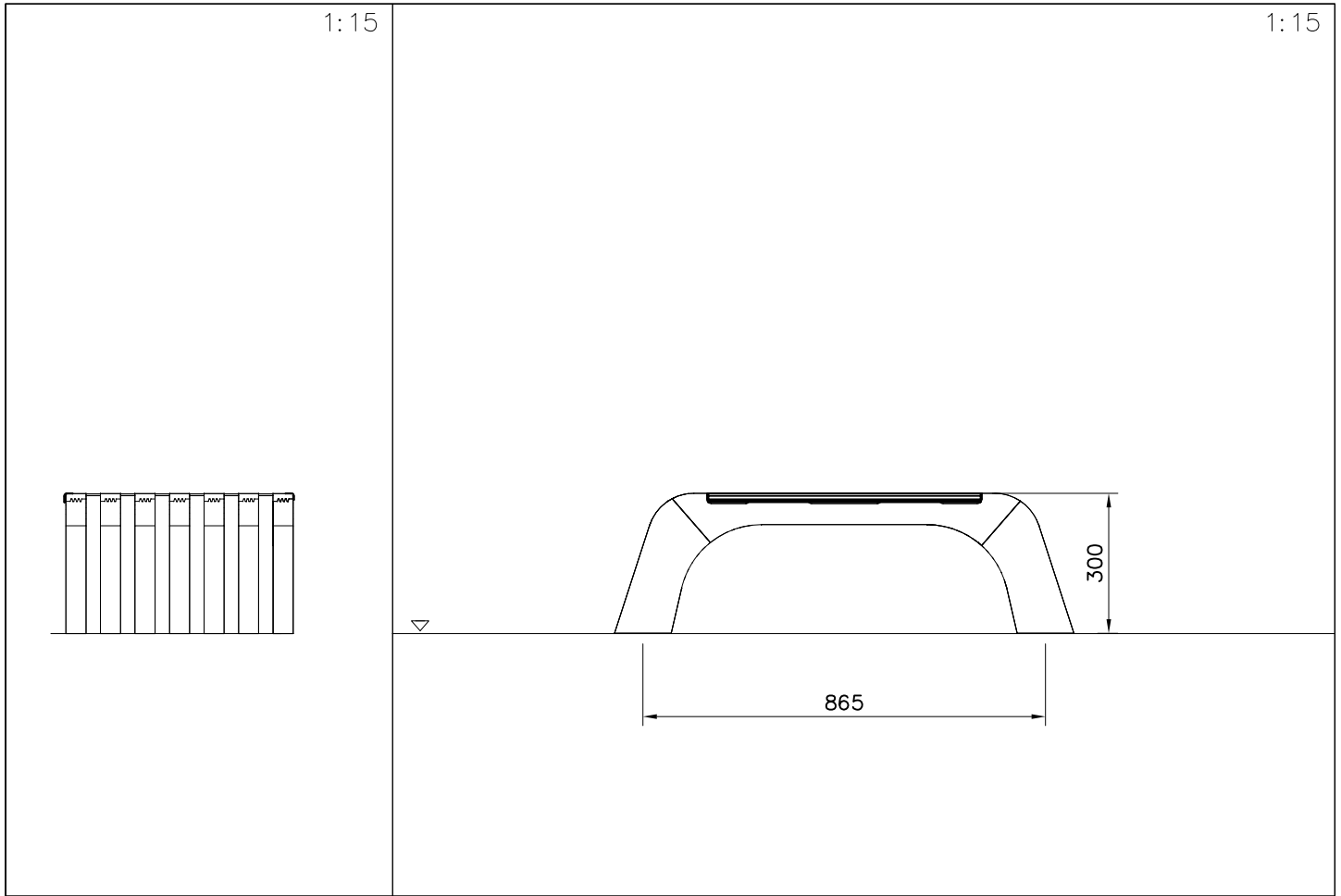
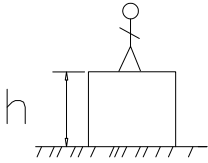



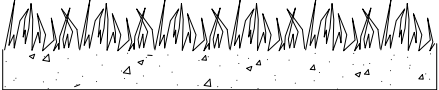
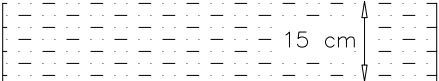
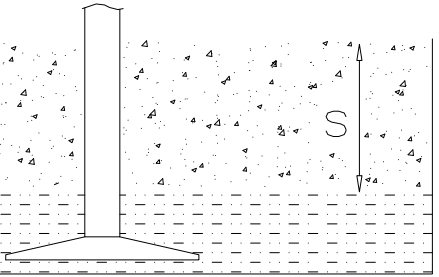
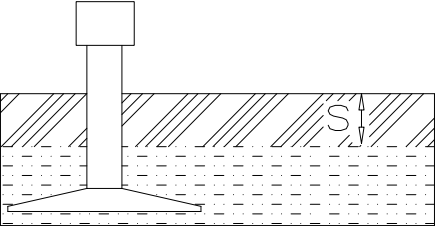


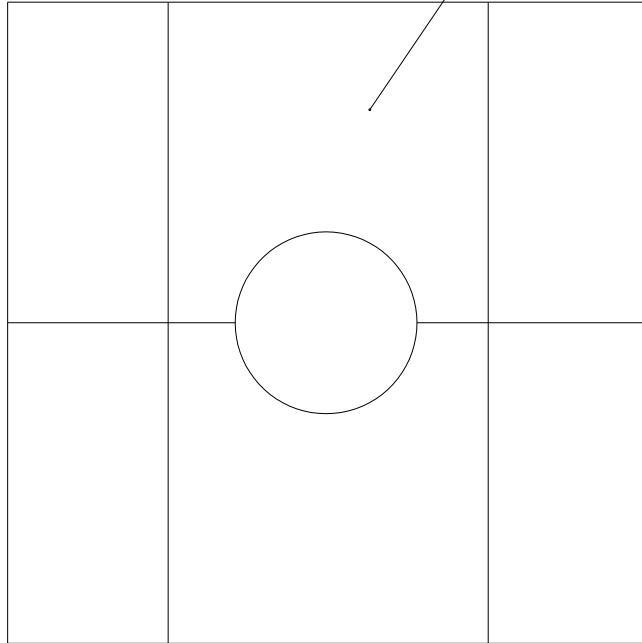
BASE  
DET 22-24  
OR 25-27

① 706017	PCS	② 980114	PCS
	1		4
		Ø4x20	
③ 705428	PCS	④ 902272	PCS
	1		4
		90x90x450	
⑤ 909519	PCS	⑥ 909639	PCS
	4		8
50x380x380		M10x25	
⑦ 909638	PCS	⑧ 909637	PCS
	16		8
Ø20/10.5		M10	
	PCS		PCS
	PCS		PCS
	PCS		PCS
	PCS		PCS

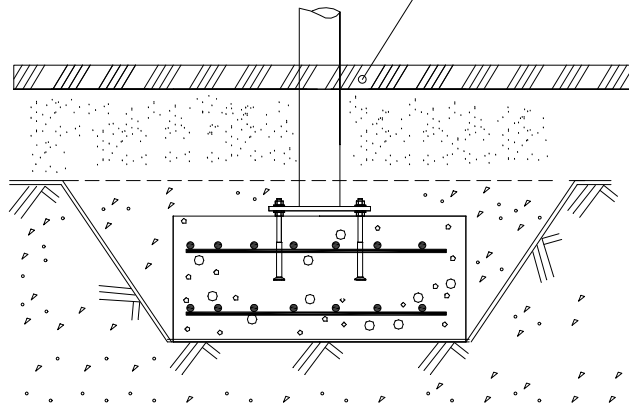


												
<p><b><math>h &lt; 600</math></b></p> <p>Without movement and therefore without Impact Area</p>	<p>Totally hard surfaces.</p> <p>Note. Lappset does <u>not recommend</u> totally hard surfaces at all.</p>	<p>E.g. concrete or asphalt</p> 										
<p><b><math>h &lt; 600</math></b></p> <p>With movement e.g. rocking</p>	<p>Materials with very limited impact attenuating properties.</p>	<p>E.g. wood</p> 										
<p><b><math>h &lt; 1000</math></b></p>	<p>Materials with significant impact attenuating properties.</p>	<p>fine gravel 0–8 mm</p>  <p>grass</p>  <p>unsorted sand</p> 										
<p><b><math>h &lt; 3000</math></b></p>	<p>Loose fill material</p> <p>E.g. sand/gravel 0,25...8 mm D60/D10&lt;3,0 Woodchips 5...30 mm bark 20...80 mm</p>	 <table data-bbox="1024 1688 1326 1787"> <tr> <td><math>\underline{S}</math></td> <td><math>\underline{h}</math></td> </tr> <tr> <td>30 cm</td> <td>&lt; 2,0 m</td> </tr> <tr> <td>40 cm</td> <td>&lt; 3,0 m</td> </tr> </table>	$\underline{S}$	$\underline{h}$	30 cm	< 2,0 m	40 cm	< 3,0 m				
$\underline{S}$	$\underline{h}$											
30 cm	< 2,0 m											
40 cm	< 3,0 m											
	<p>Syntethic granulates</p> <table data-bbox="405 1899 751 2056"> <tr> <td><math>\underline{S}</math></td> <td><math>\underline{h}</math></td> </tr> <tr> <td>40 mm</td> <td>~&gt; 1,2...1,3 m</td> </tr> <tr> <td>50 mm</td> <td>~&gt; 1,5...1,7 m</td> </tr> <tr> <td>60 mm</td> <td>~&gt; 1,8...2,0 m</td> </tr> <tr> <td>70 mm</td> <td>~&gt; 2,1...2,5 m</td> </tr> </table> <p>Note. For accurate values, see manufacturer's instructions.</p>	$\underline{S}$	$\underline{h}$	40 mm	~> 1,2...1,3 m	50 mm	~> 1,5...1,7 m	60 mm	~> 1,8...2,0 m	70 mm	~> 2,1...2,5 m	
$\underline{S}$	$\underline{h}$											
40 mm	~> 1,2...1,3 m											
50 mm	~> 1,5...1,7 m											
60 mm	~> 1,8...2,0 m											
70 mm	~> 2,1...2,5 m											

REMOVE SAFETY SURFACE/SAND/GRAVEL  
TO CHECK FOUNDATION



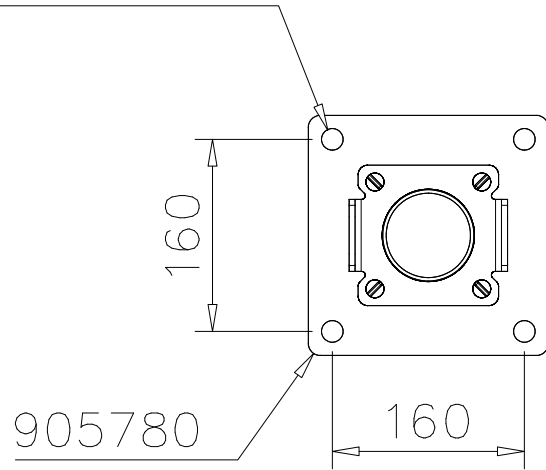
REMOVE SAFETY SURFACE/SAND/GRAVEL  
TO CHECK FOUNDATION



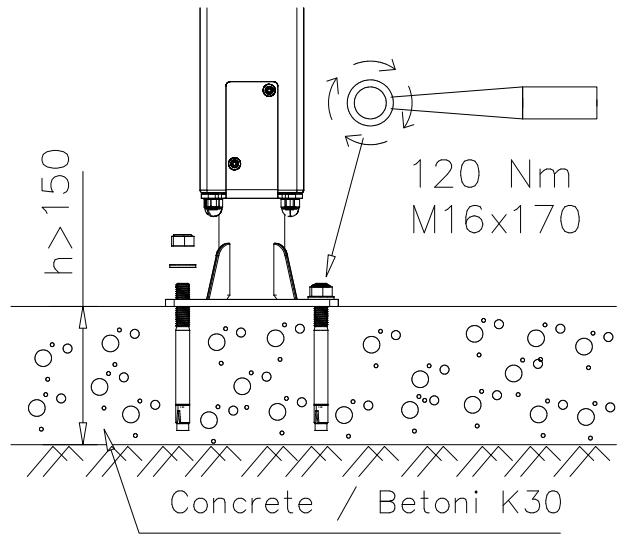


DET 1

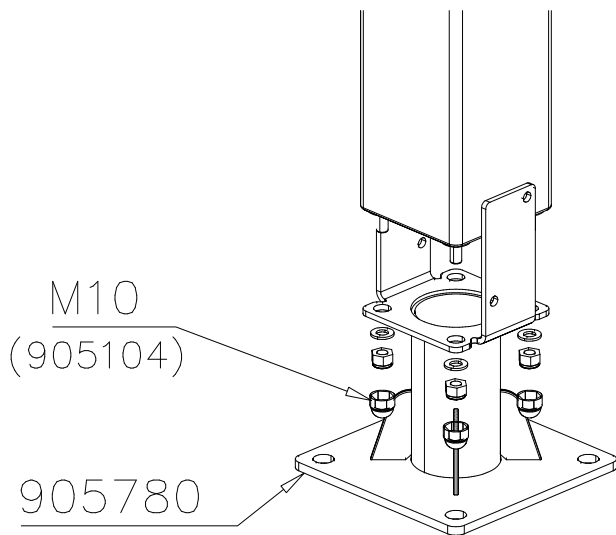
$\varnothing 16 \downarrow > 130$



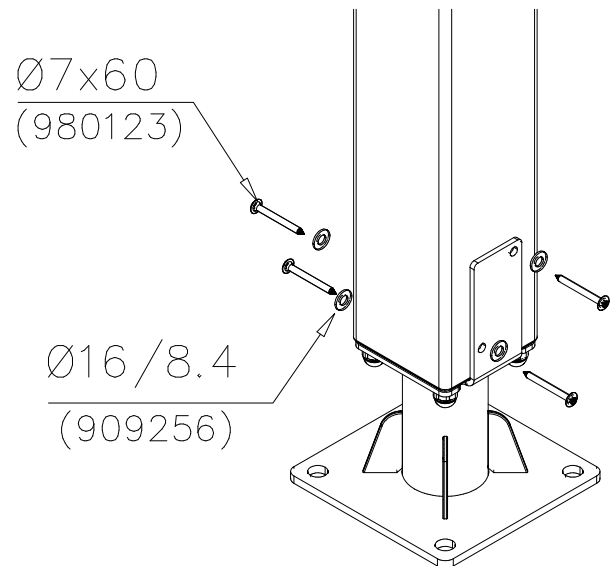
DET 2



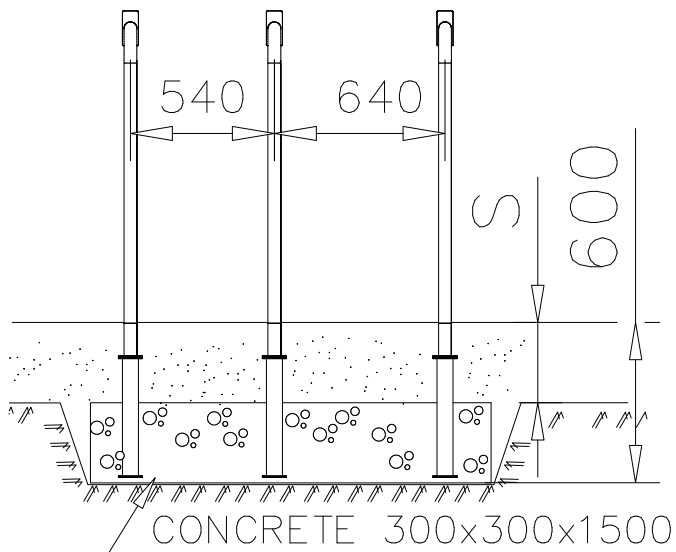
DET 3



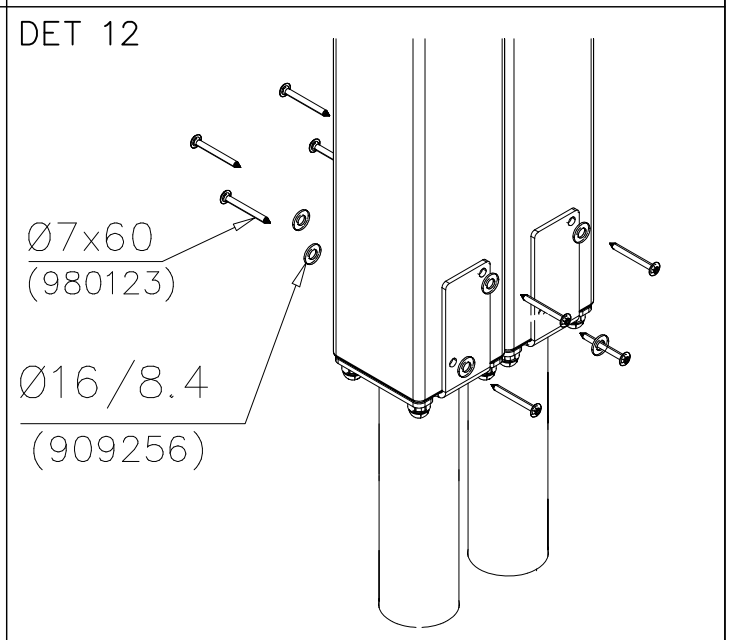
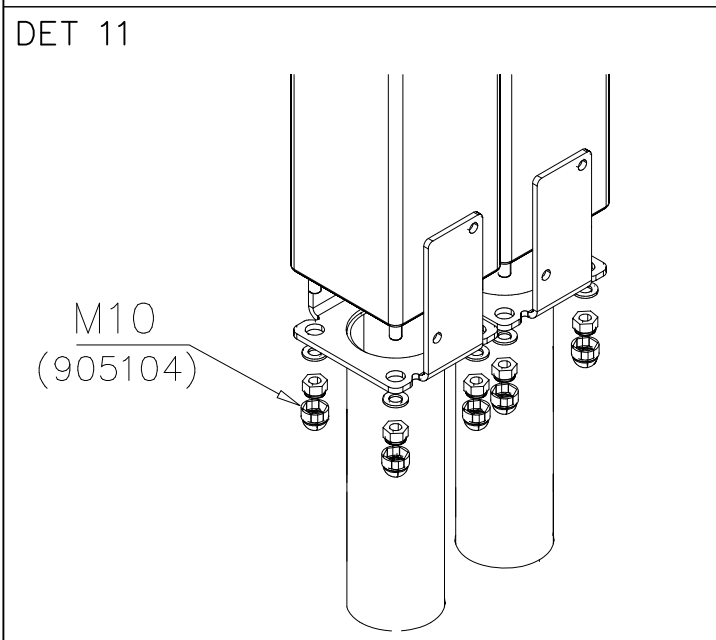
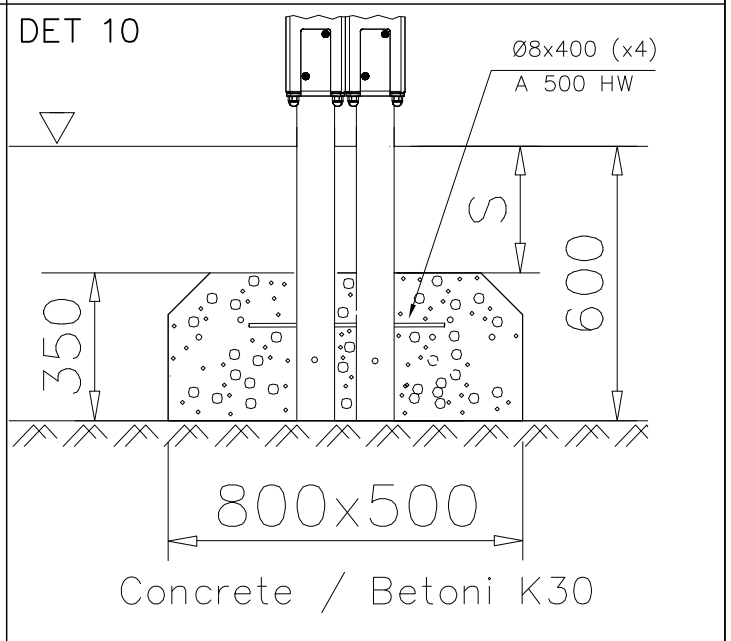
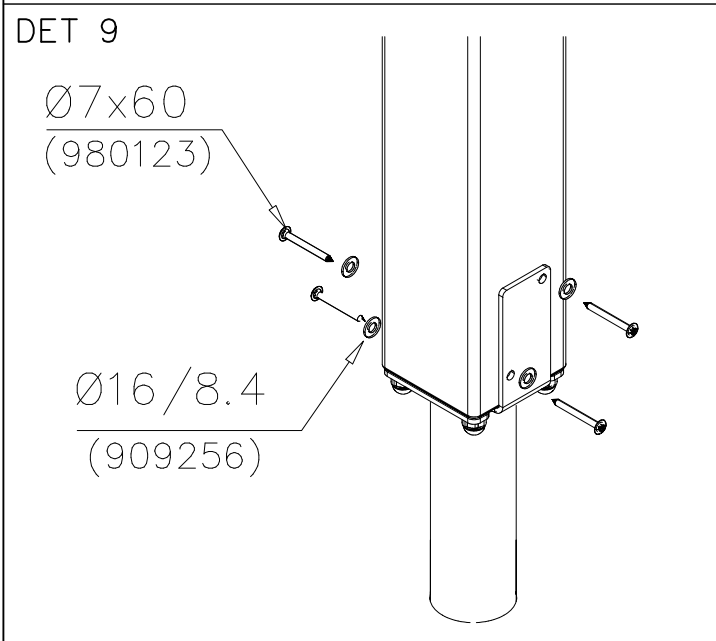
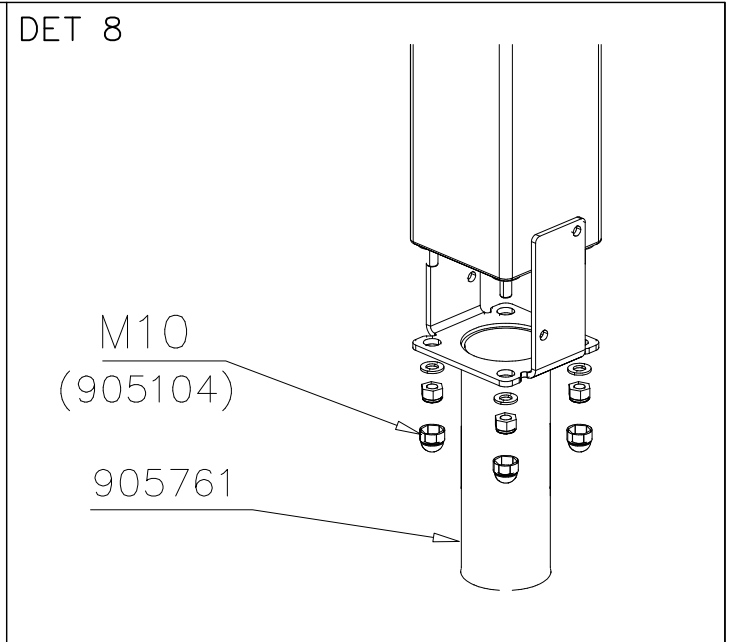
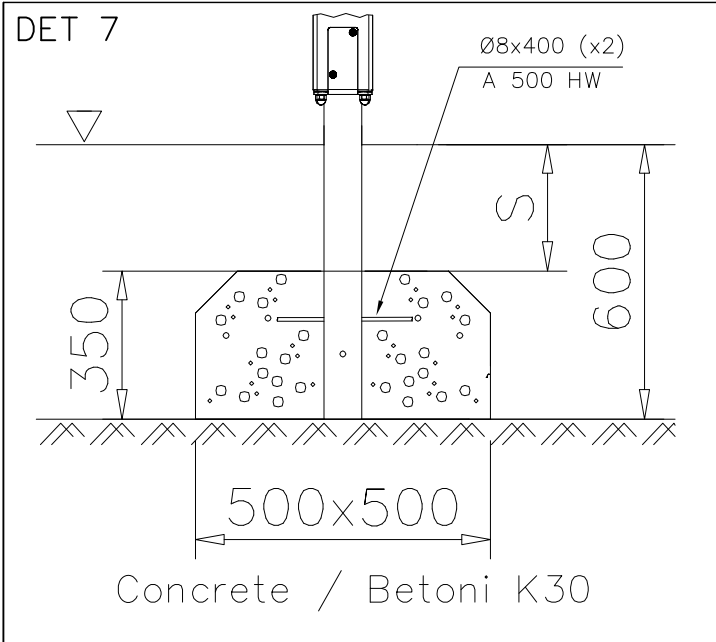
DET 4



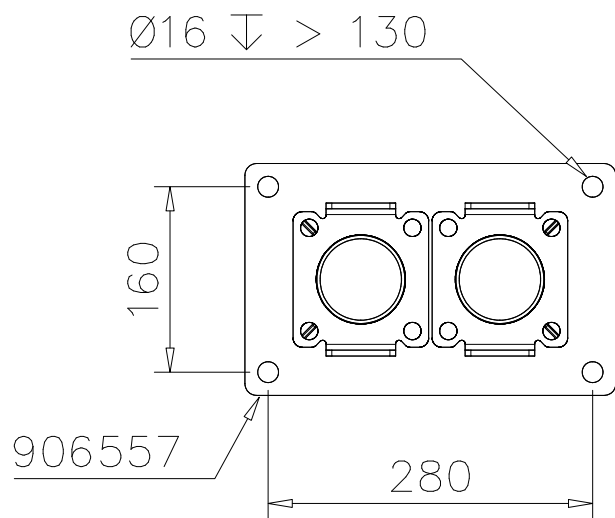
DET 5



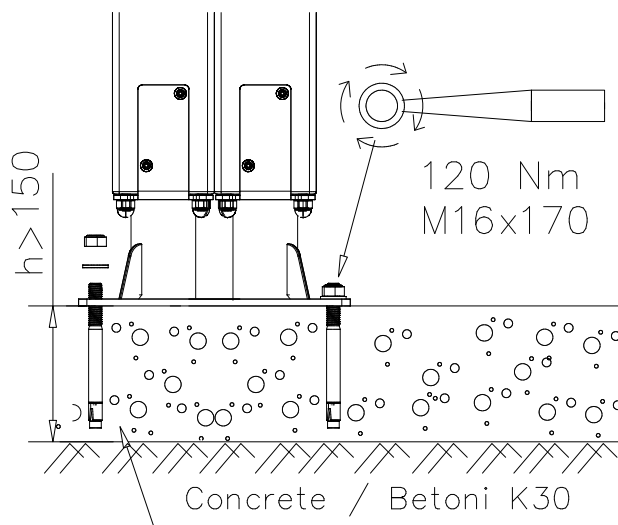
DET 6



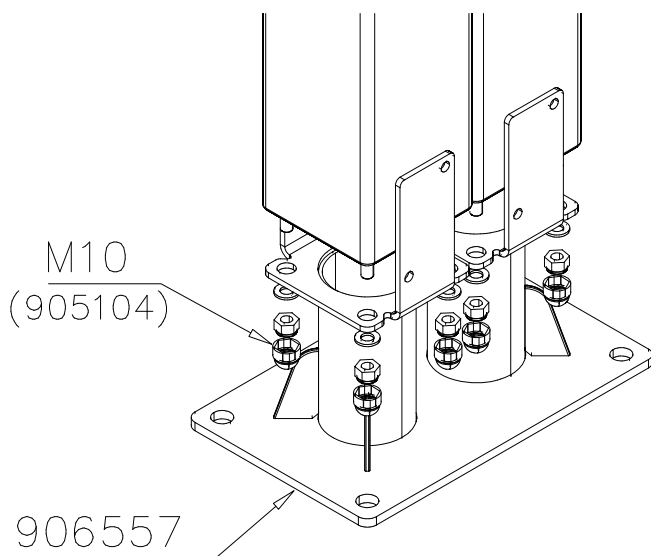
DET 13



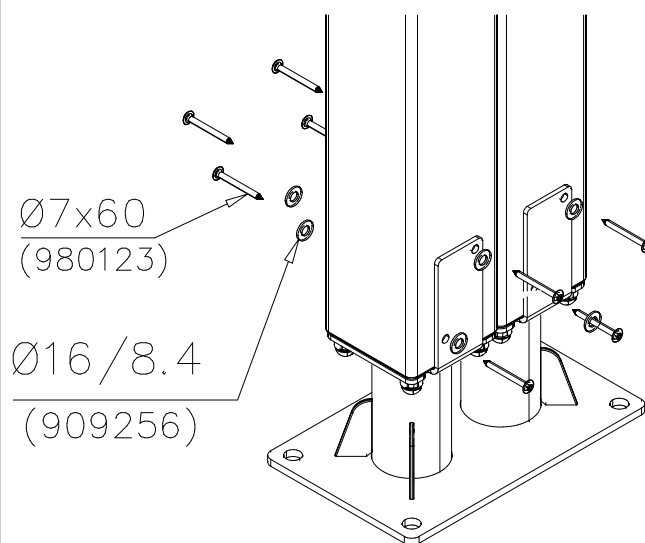
DET 14



DET 15



DET 16



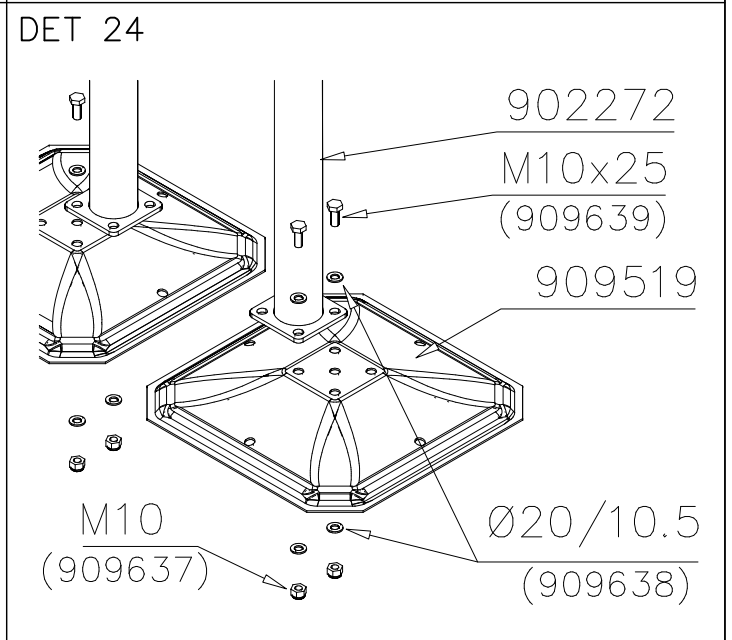
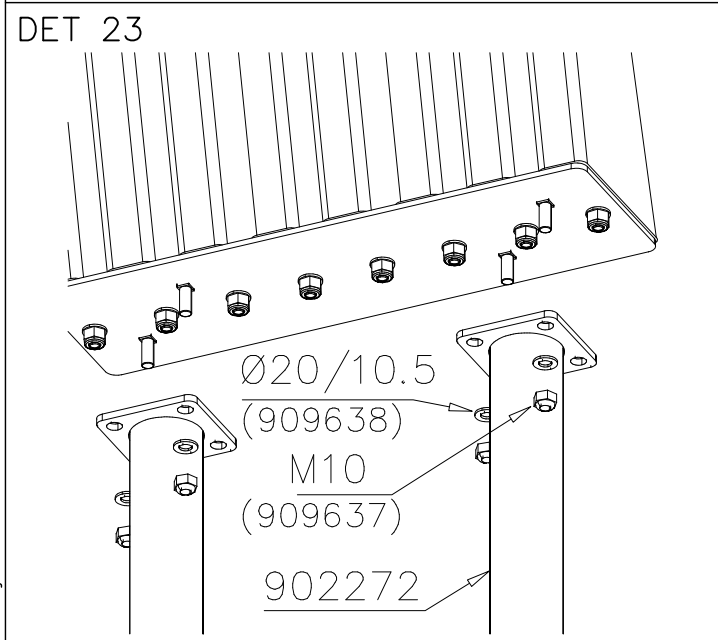
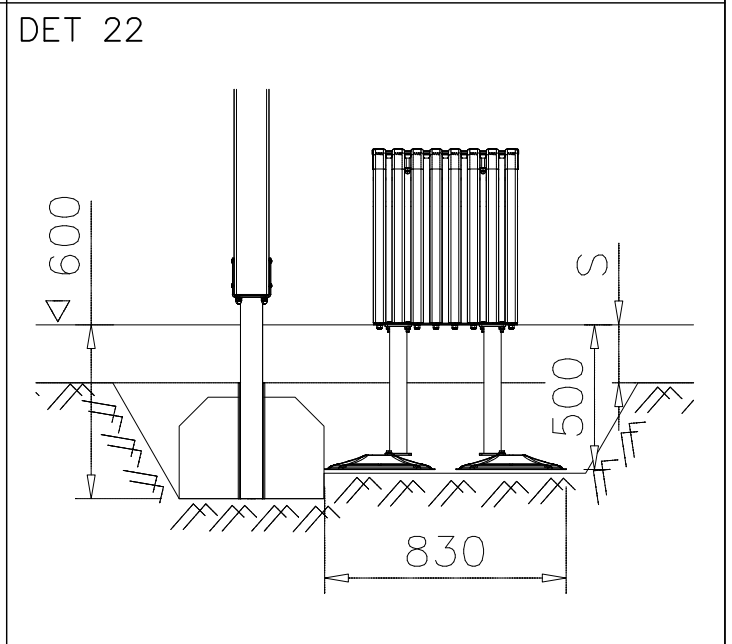
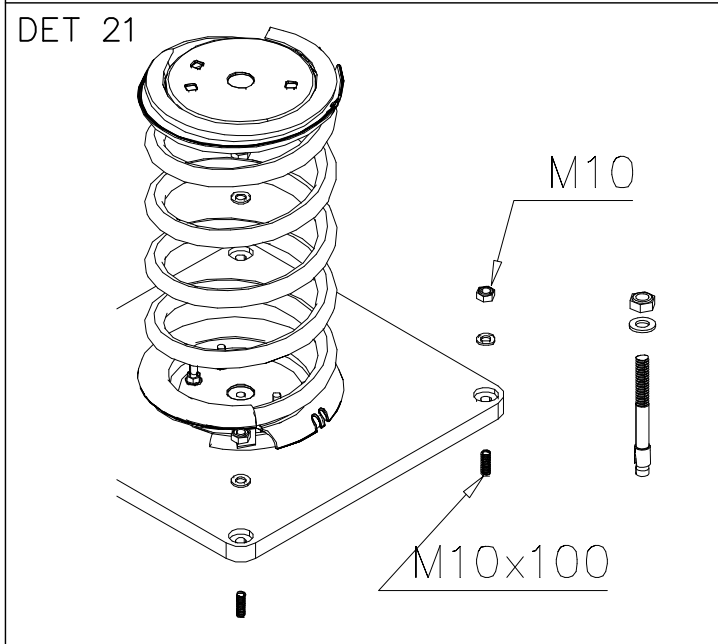
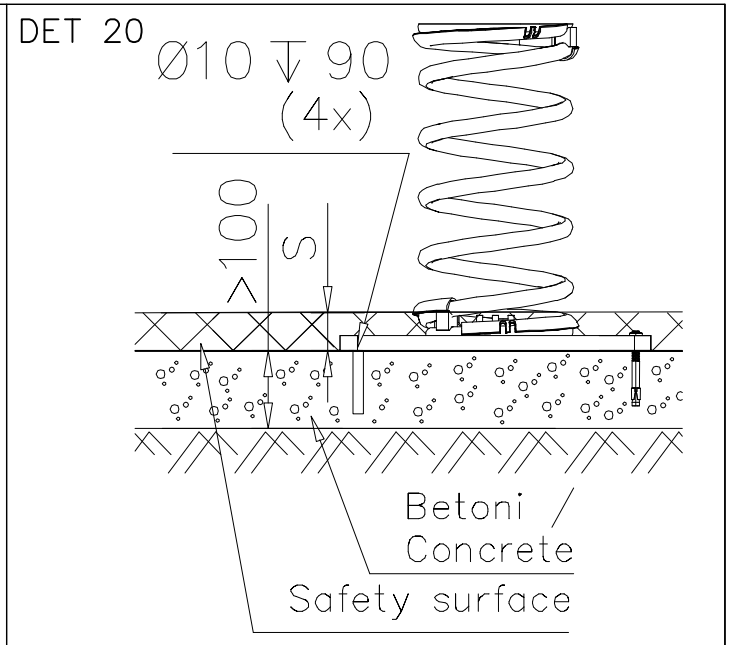
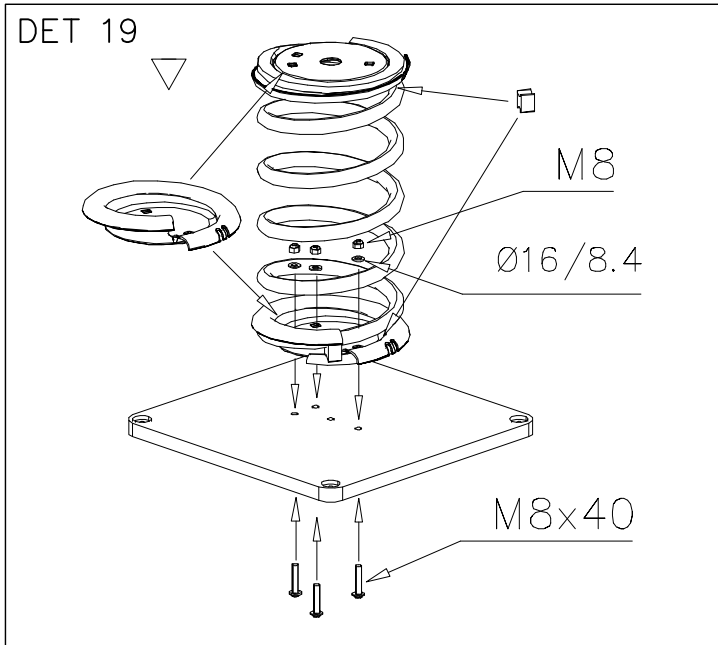
DET 17

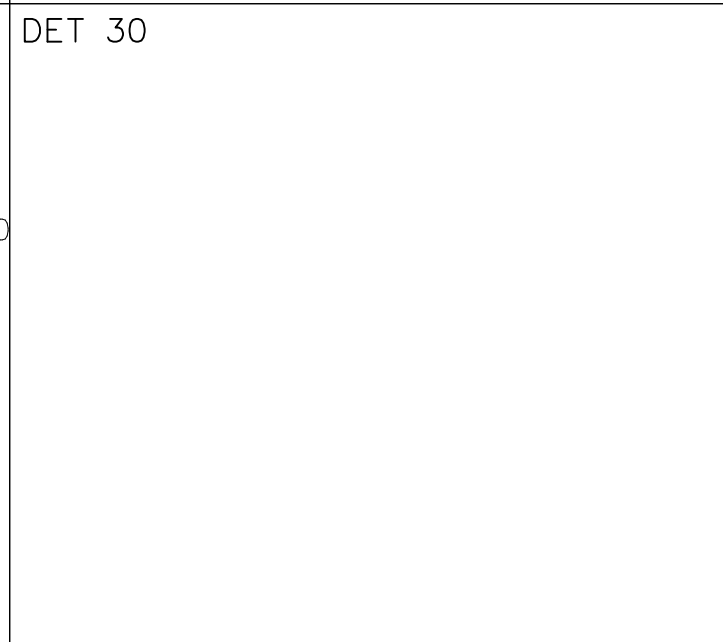
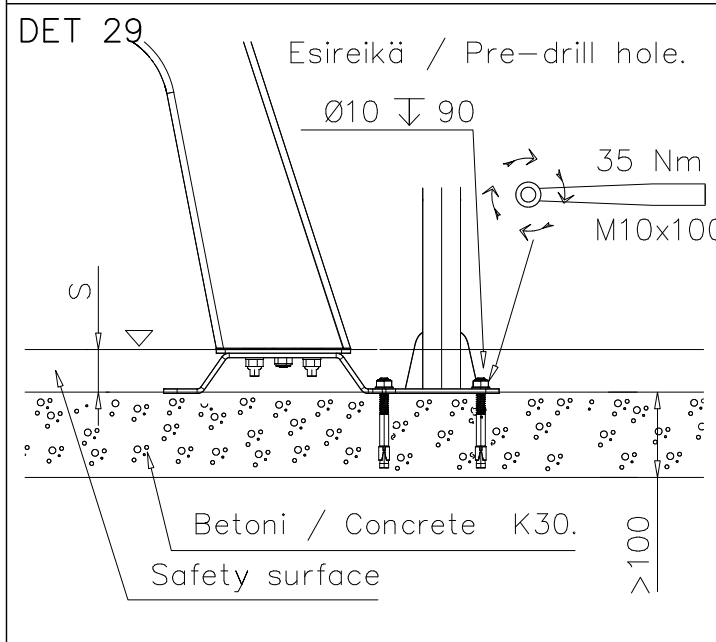
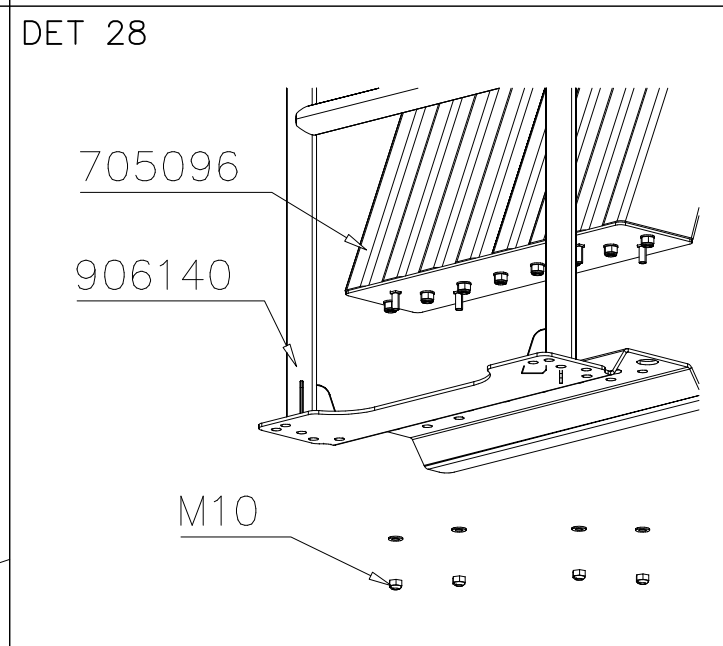
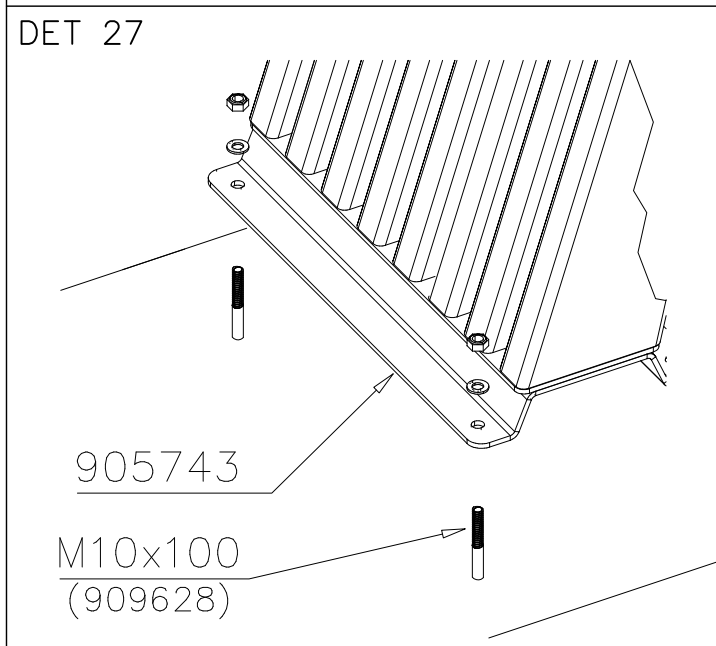
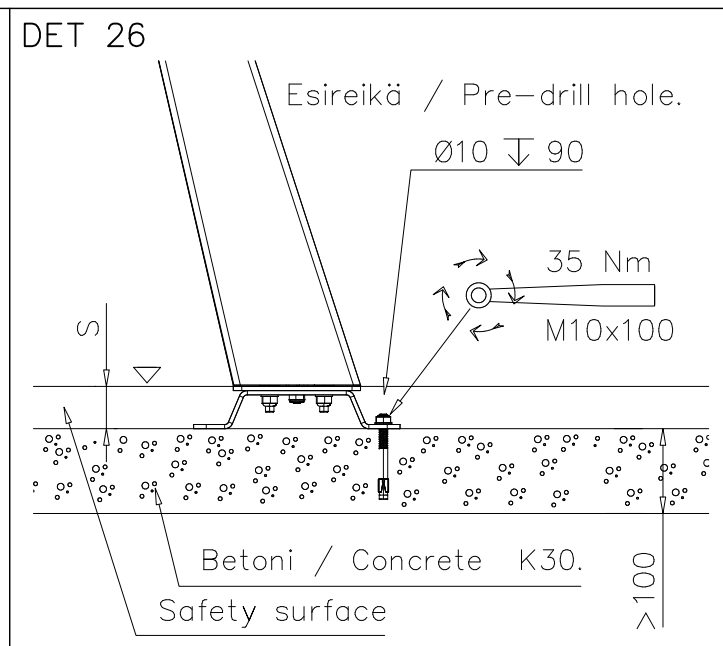
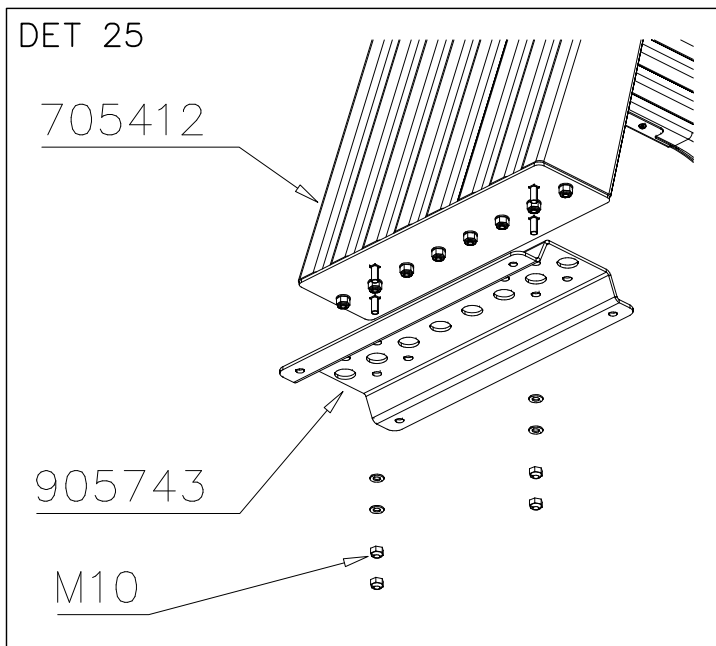
DET 18

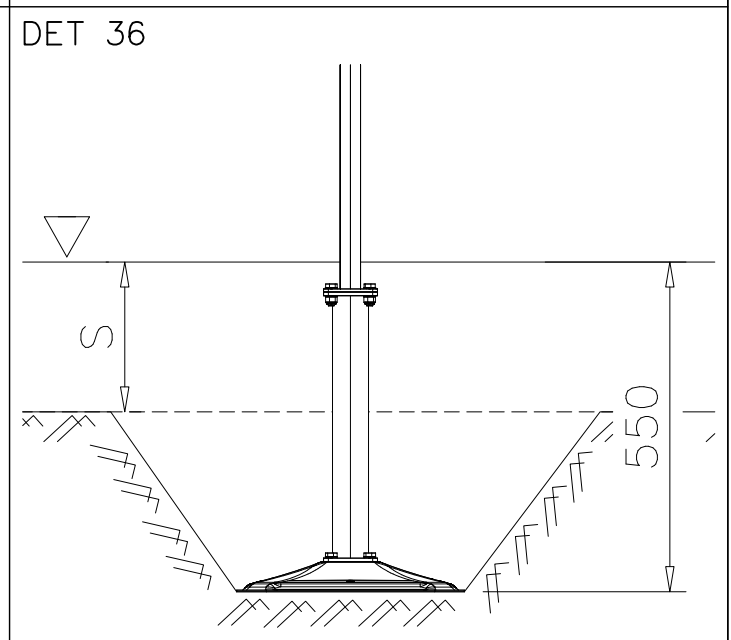
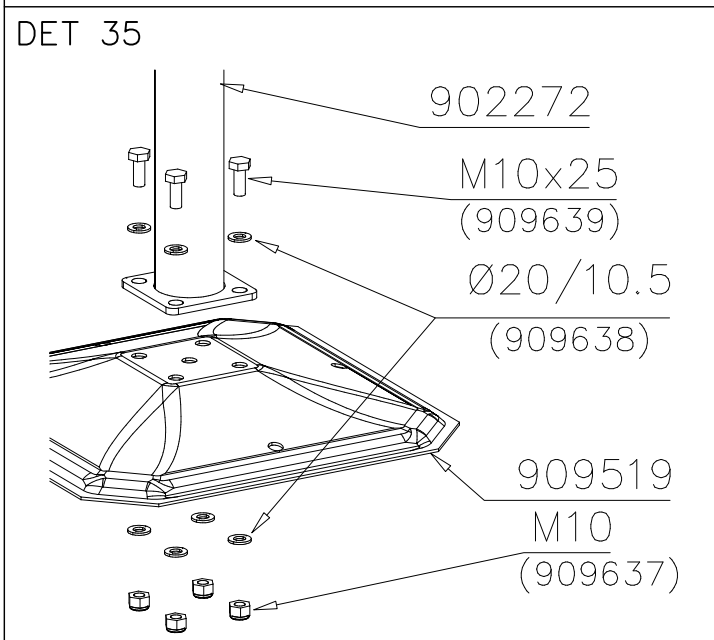
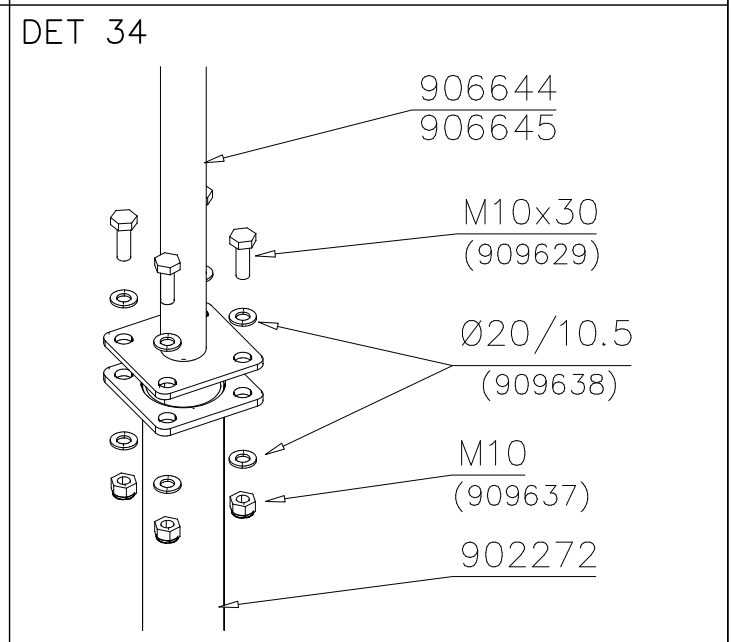
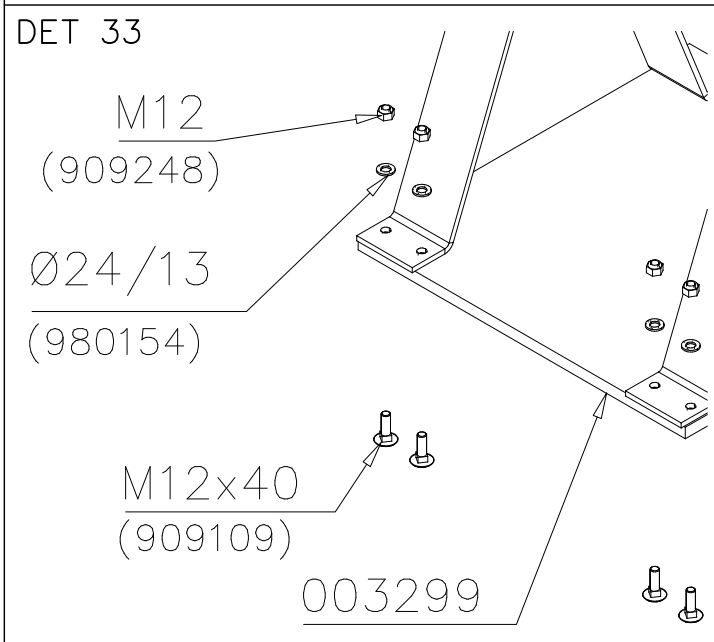
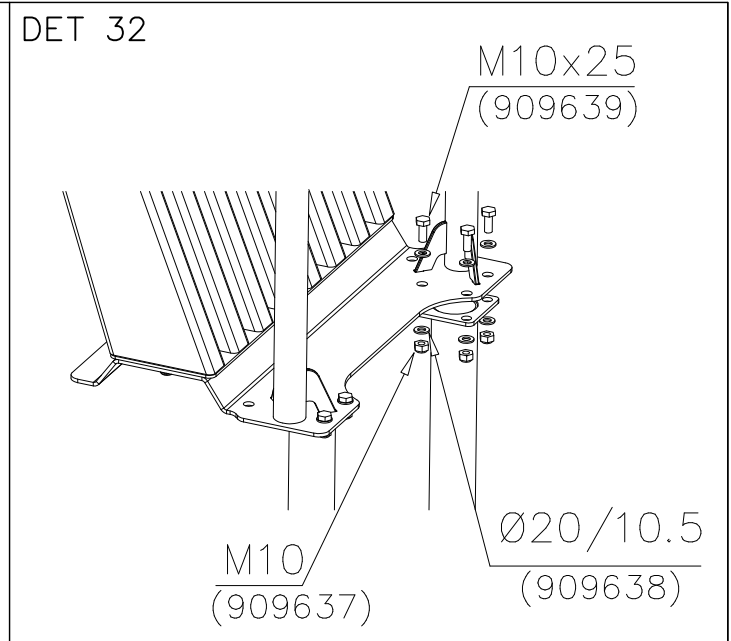
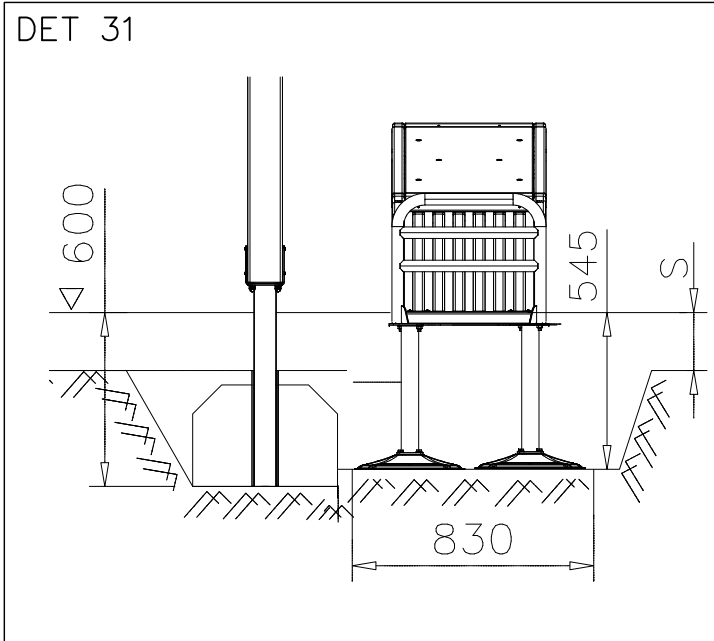
# WINAM GROUP SPORT

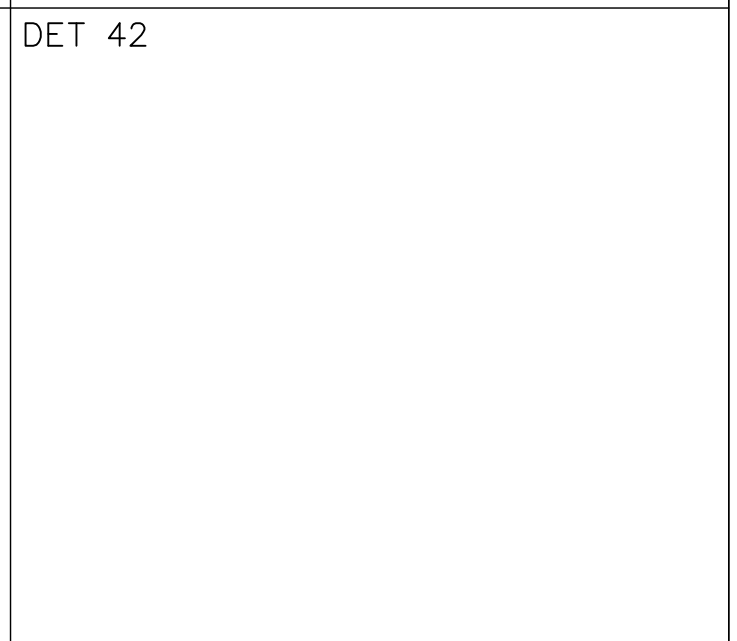
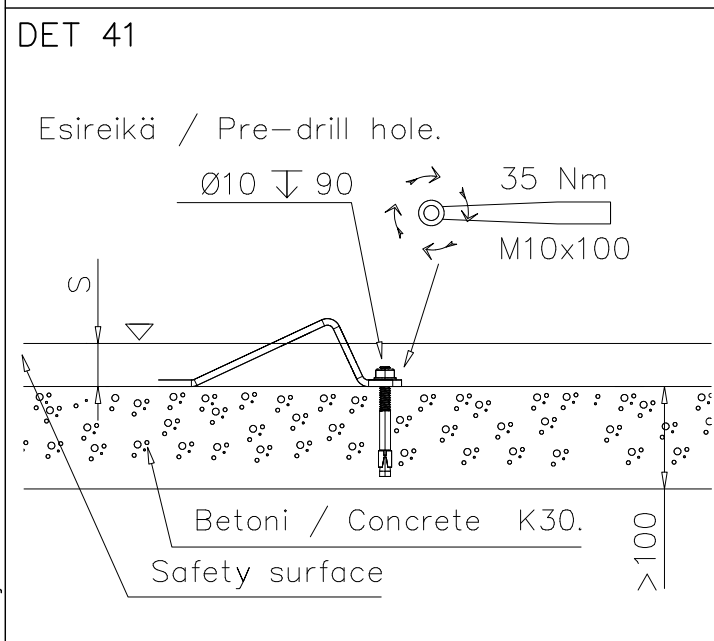
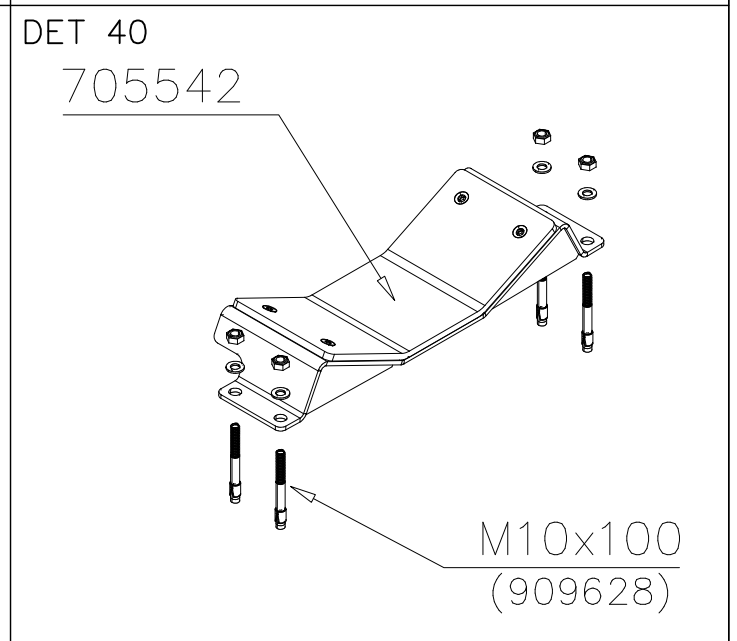
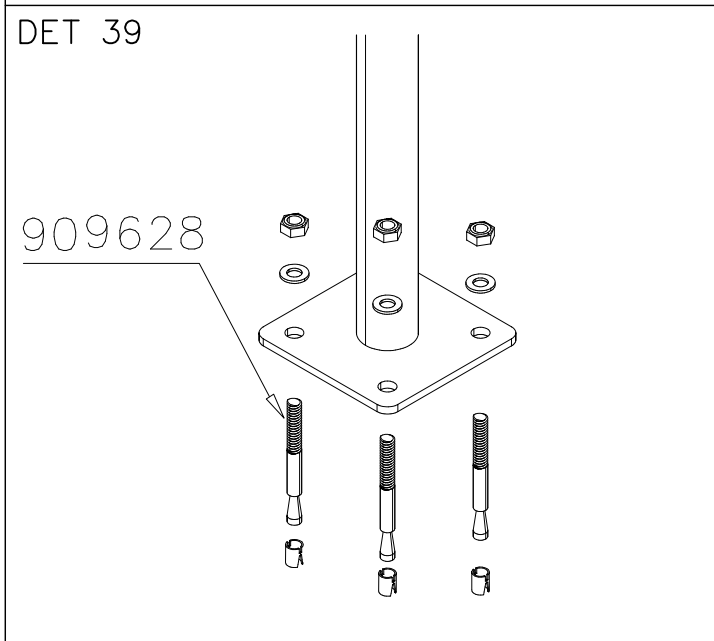
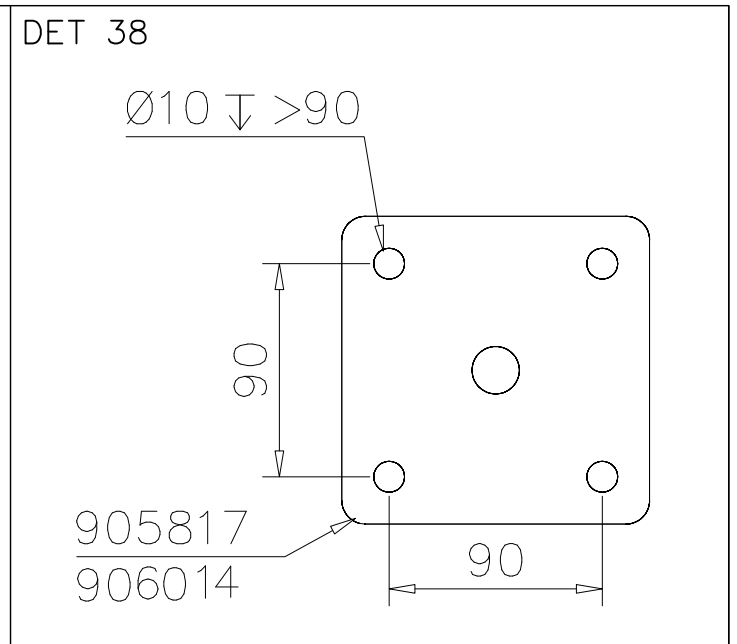
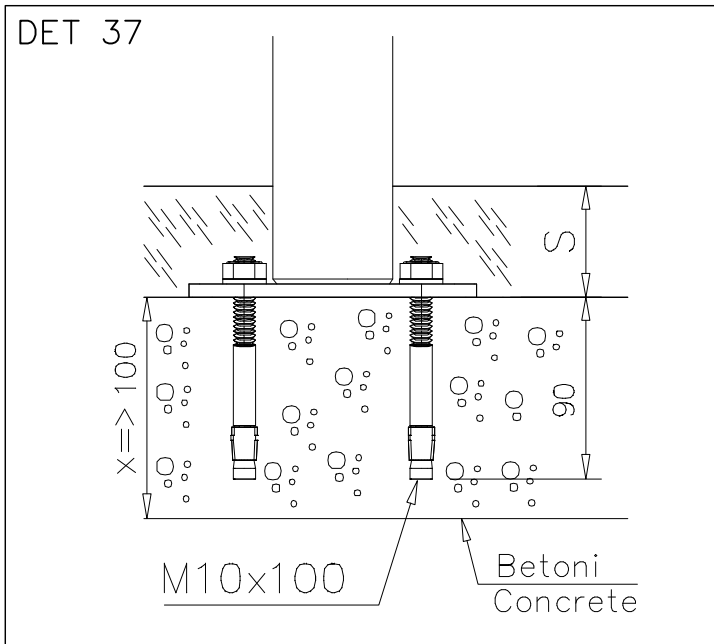
# BASE

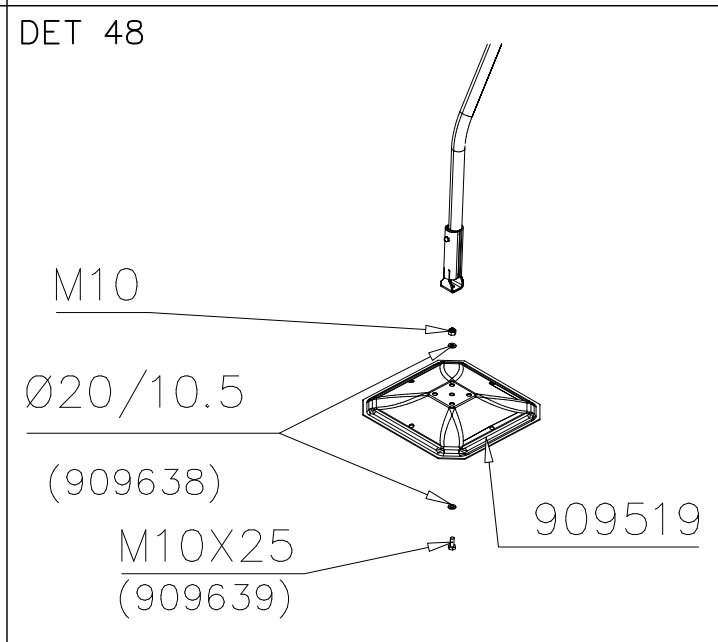
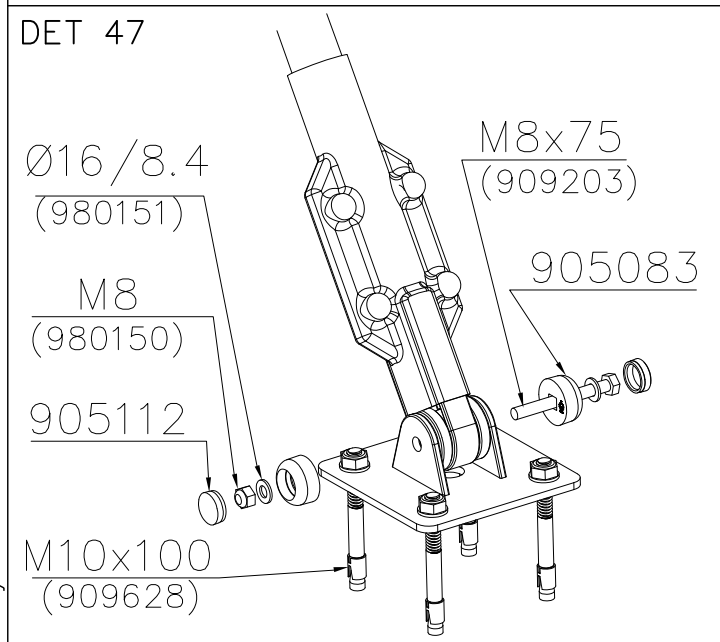
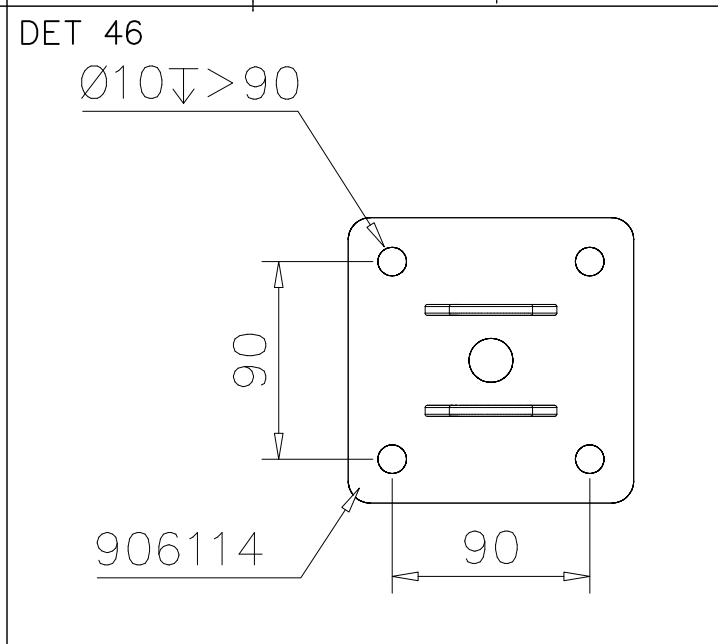
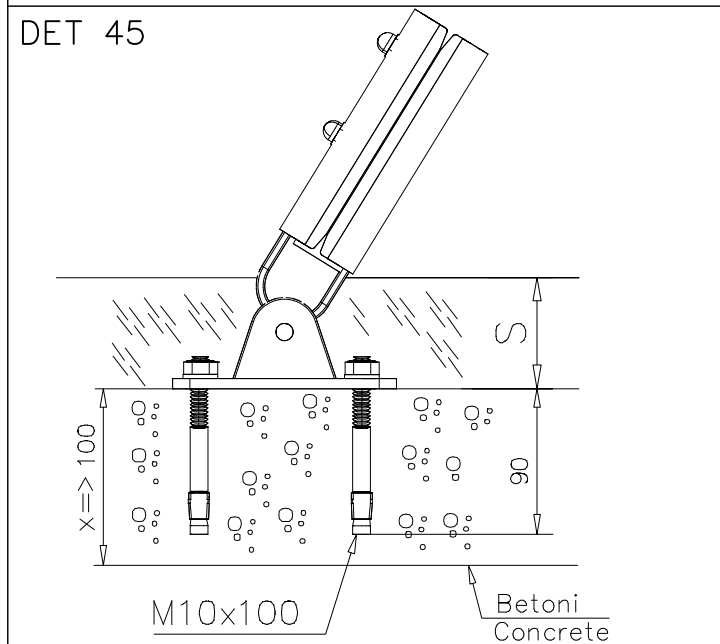
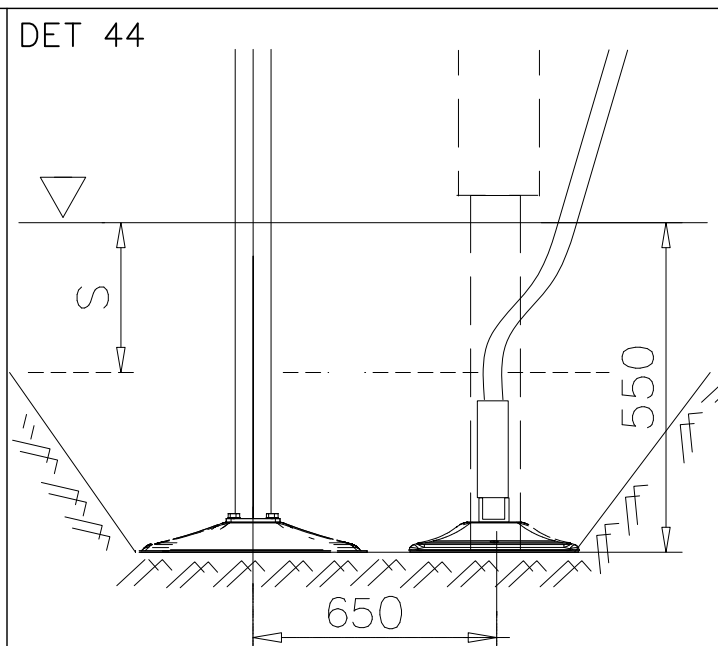
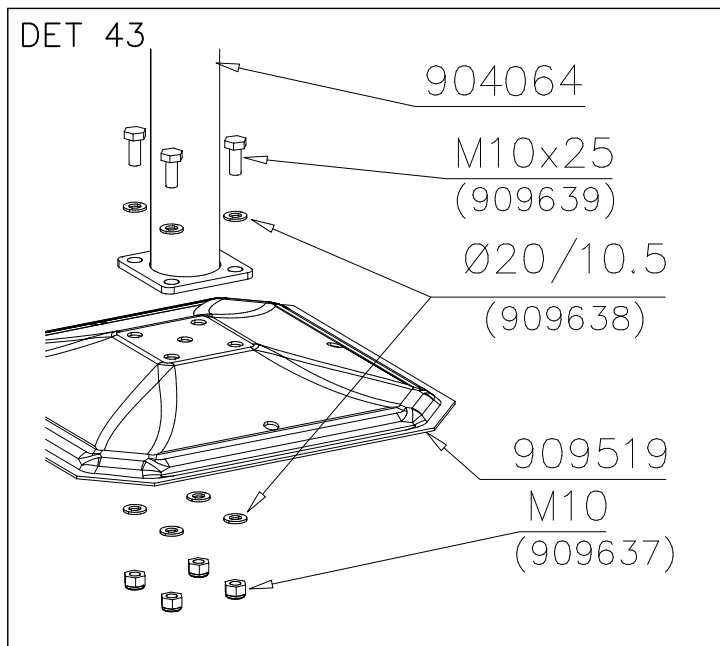
DATE: 29.4.2015





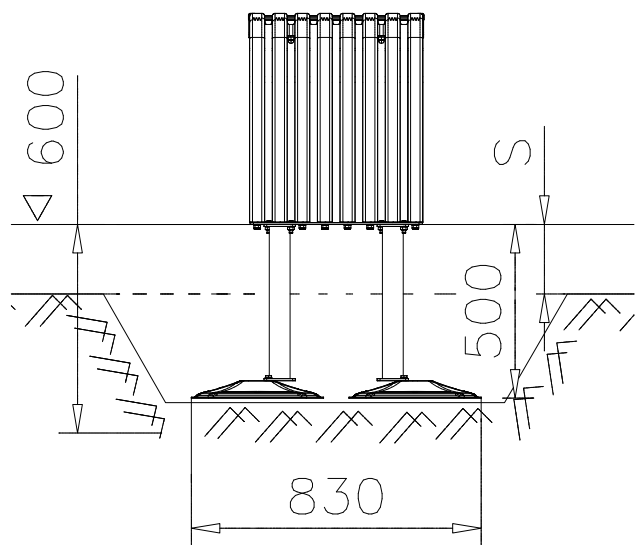




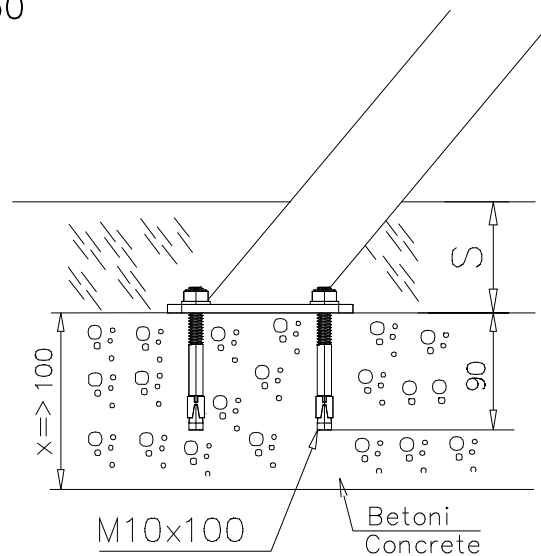




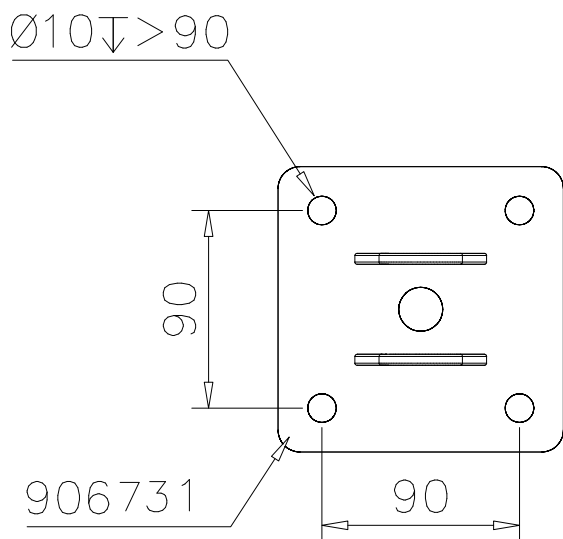
DET 49



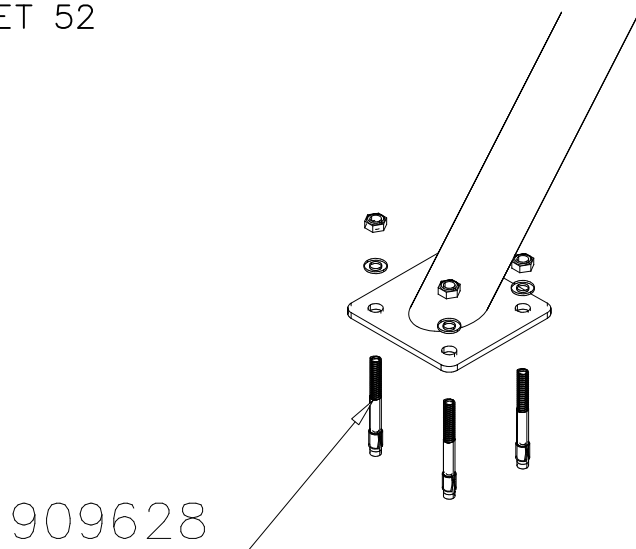
DET 50



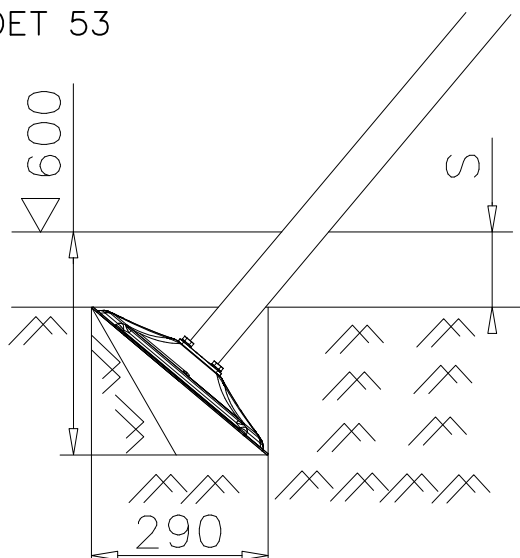
DET 51



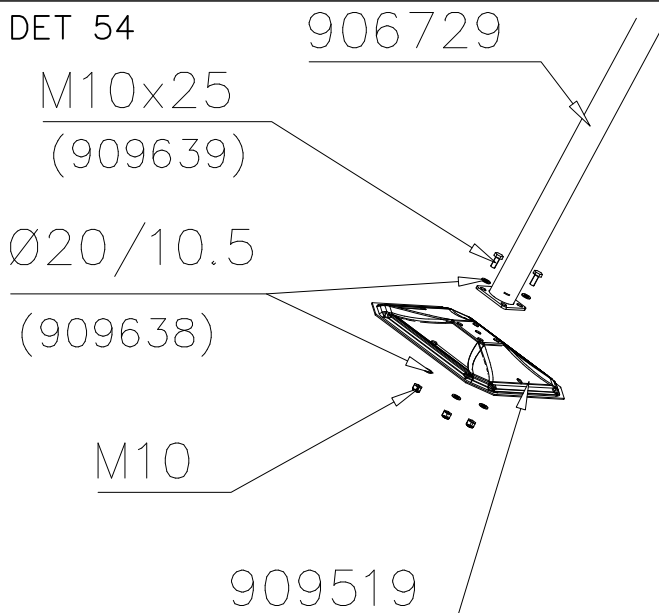
DET 52



DET 53

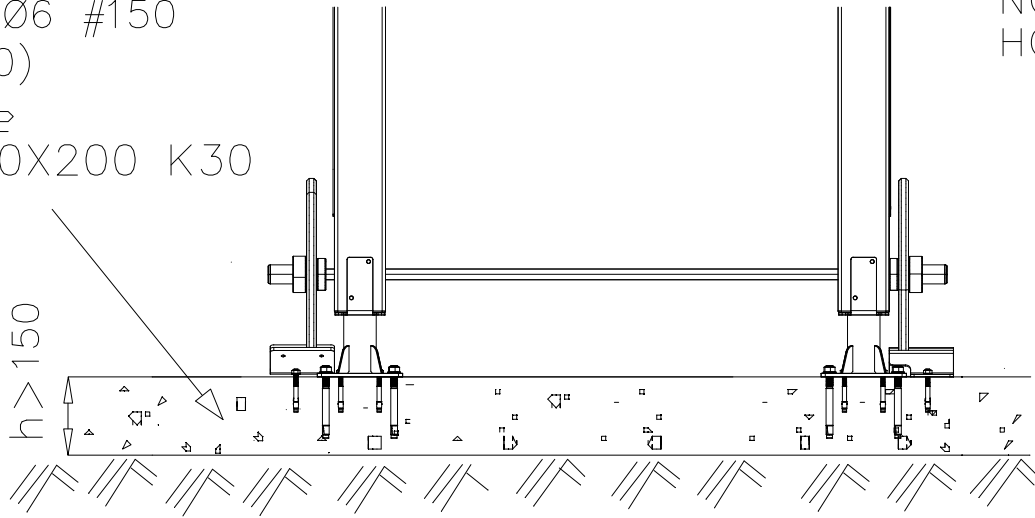


DET 54



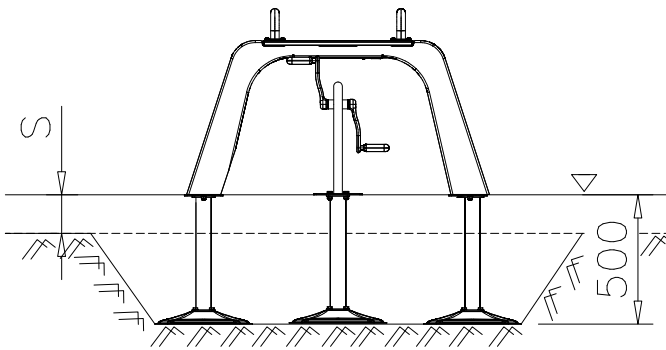
DET 55

STEELNET Ø6 #150  
(1400x2100)  
Concrete  
1500X2200X200 K30

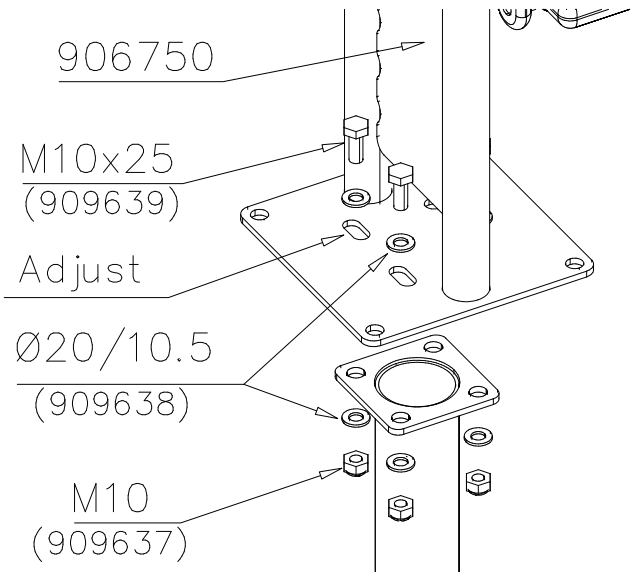


NOTE!  
HOX!

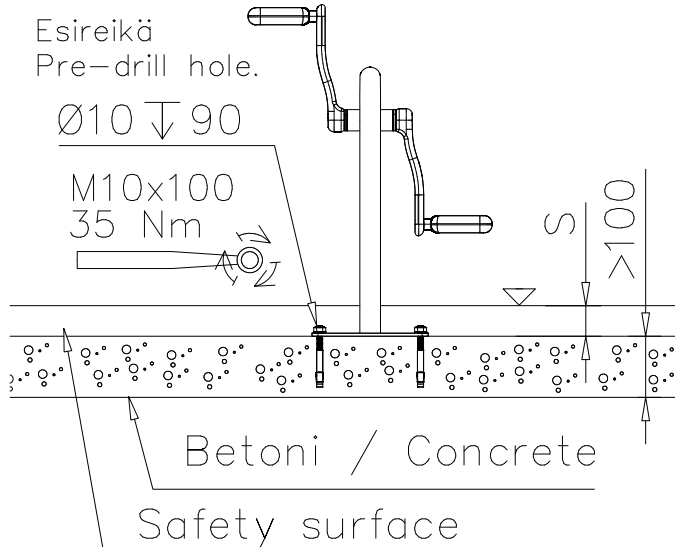
DET 56



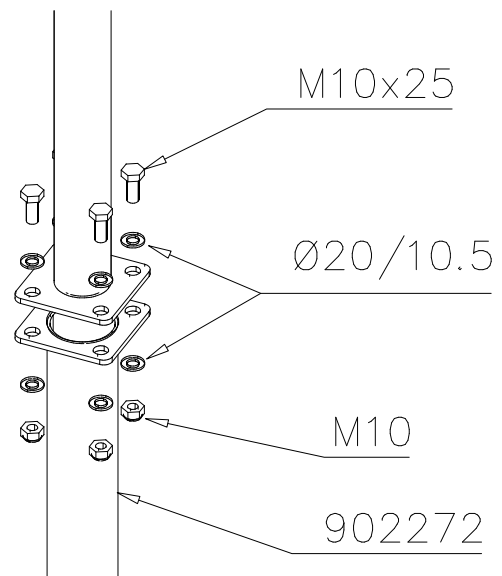
DET 57



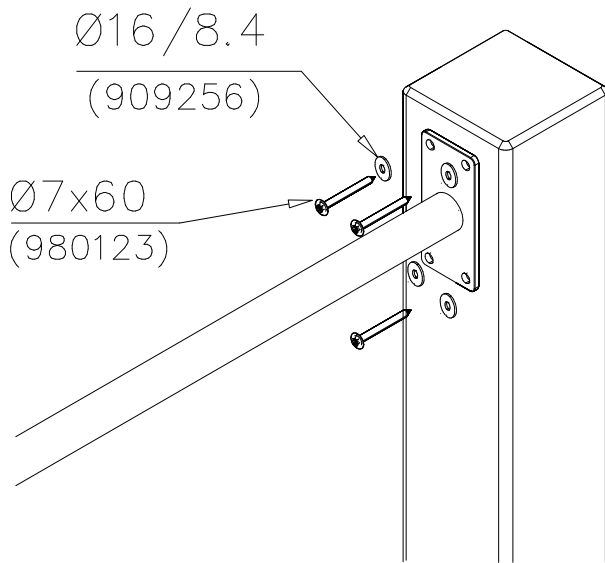
DET 58



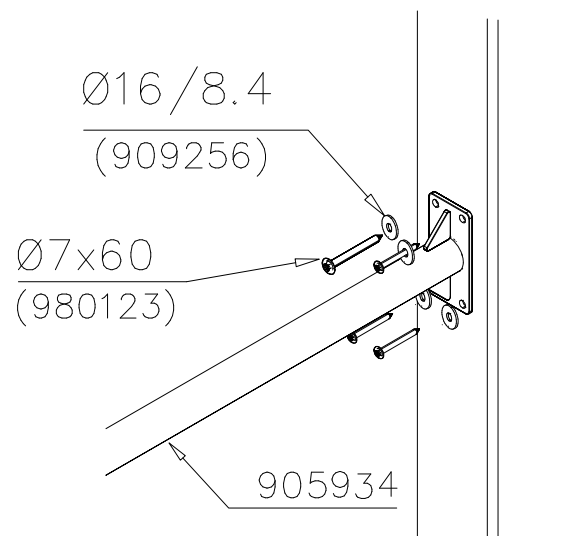
DET 59



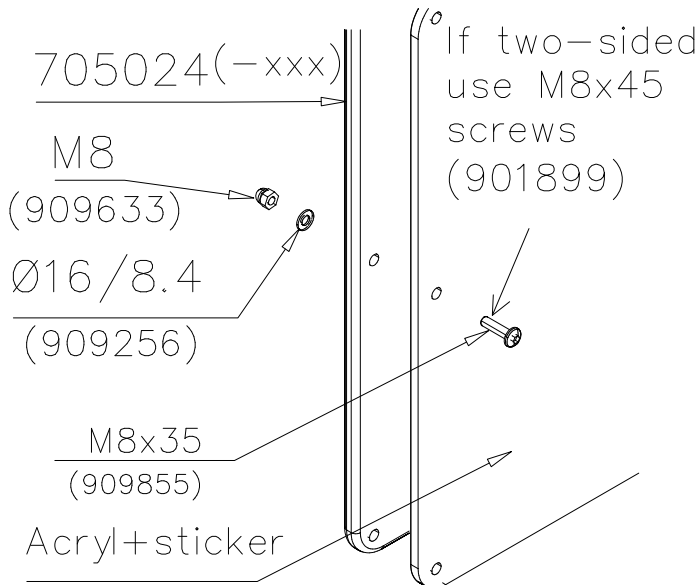
DET 1



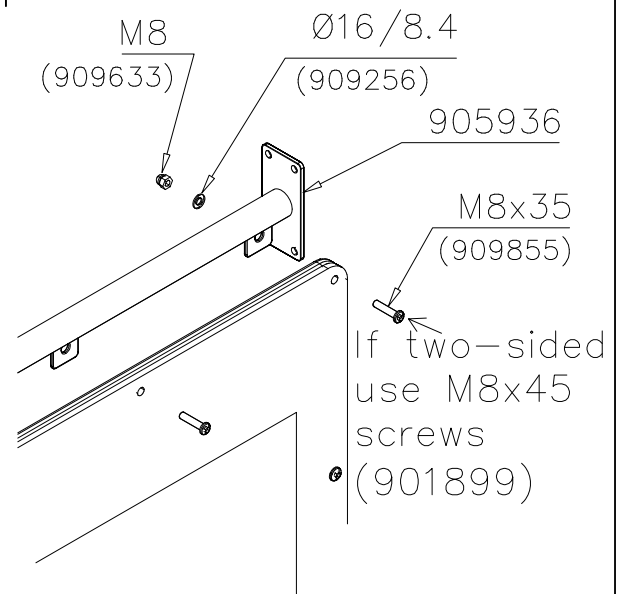
DET 2



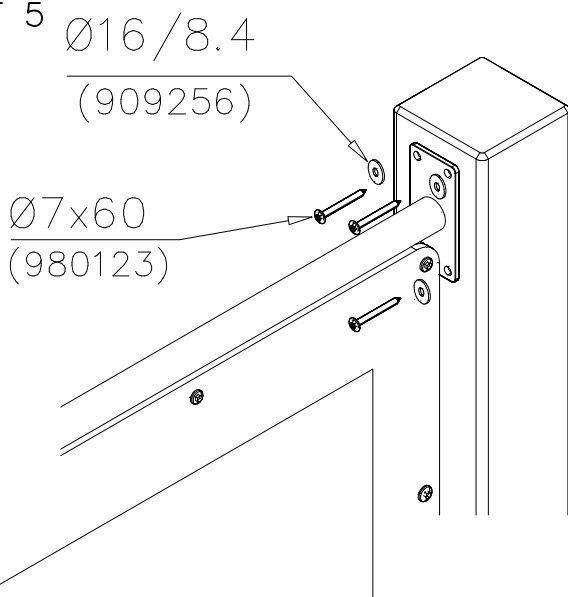
DET 3



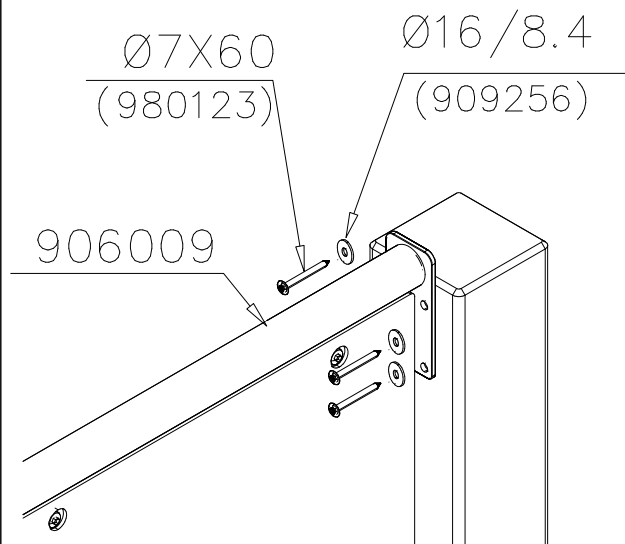
DET 4

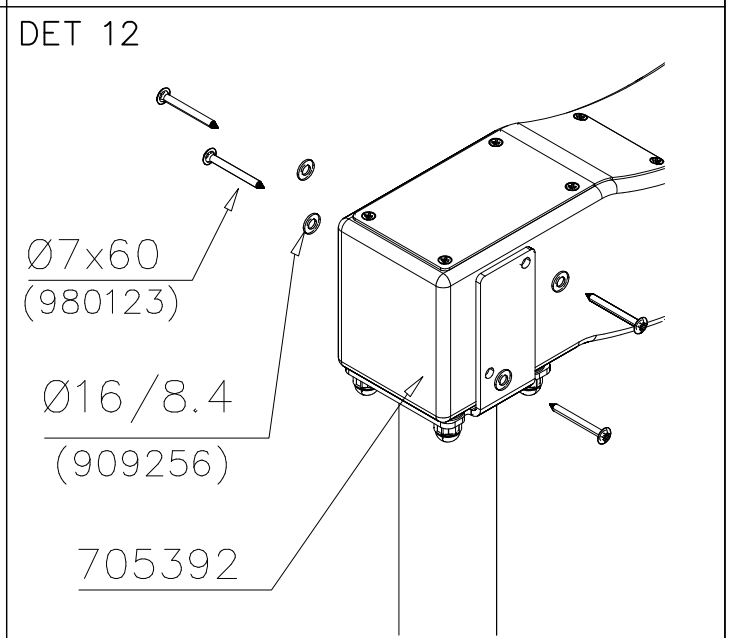
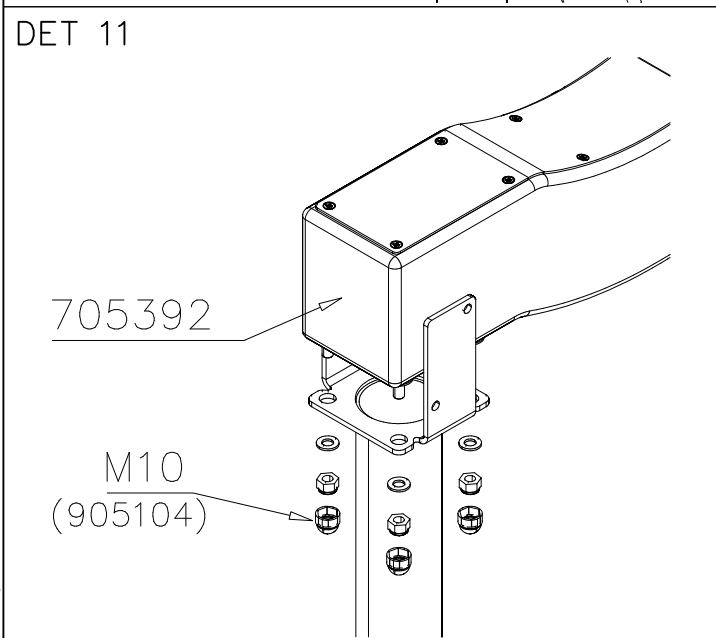
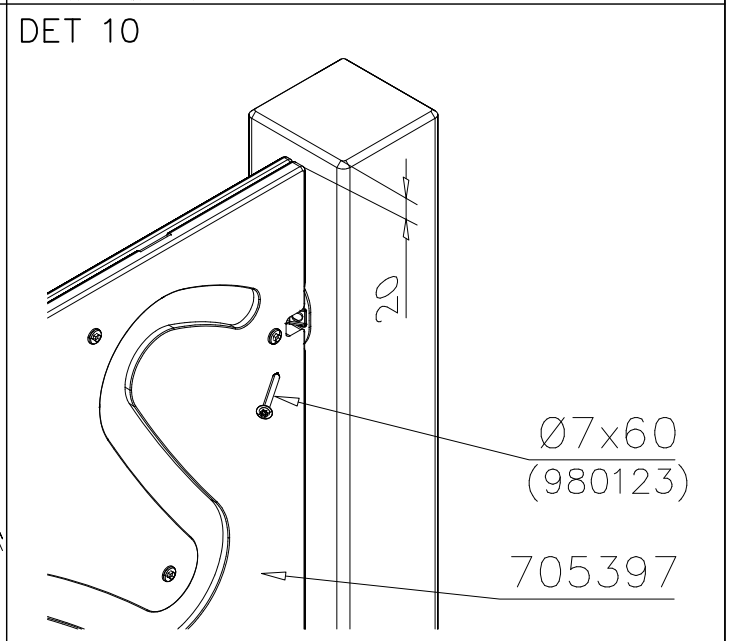
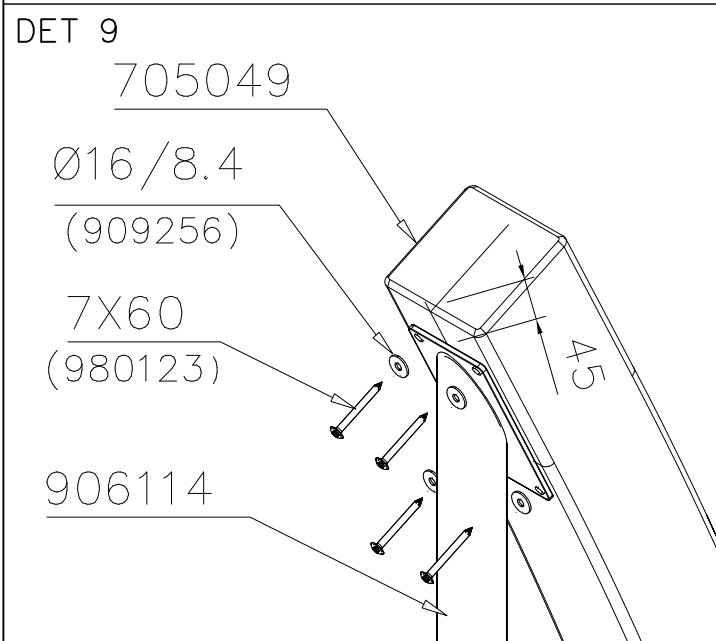
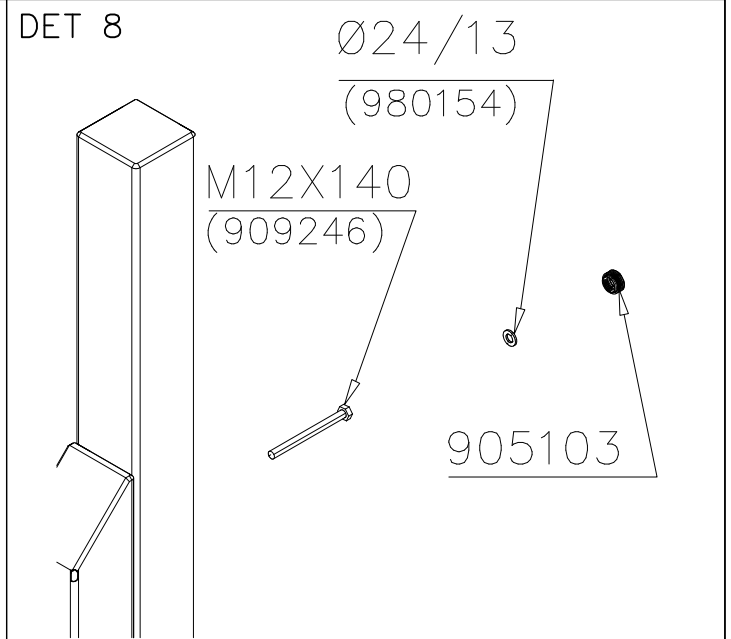
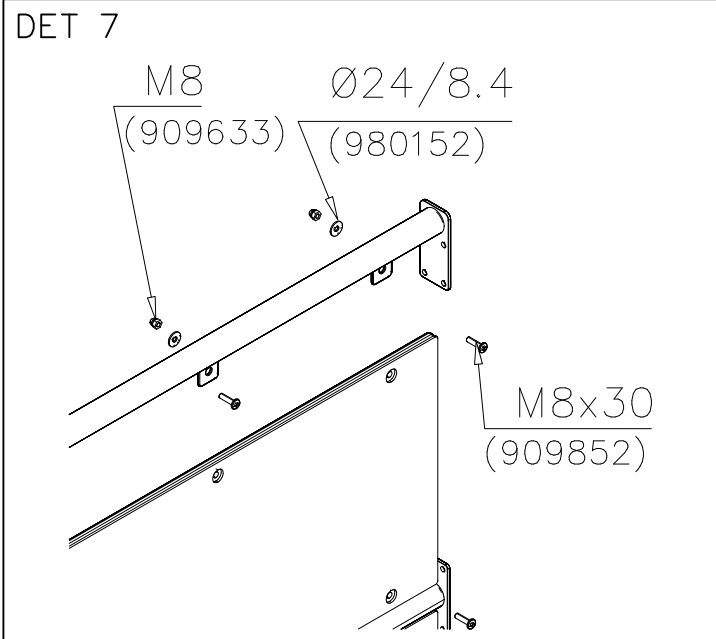


DET 5

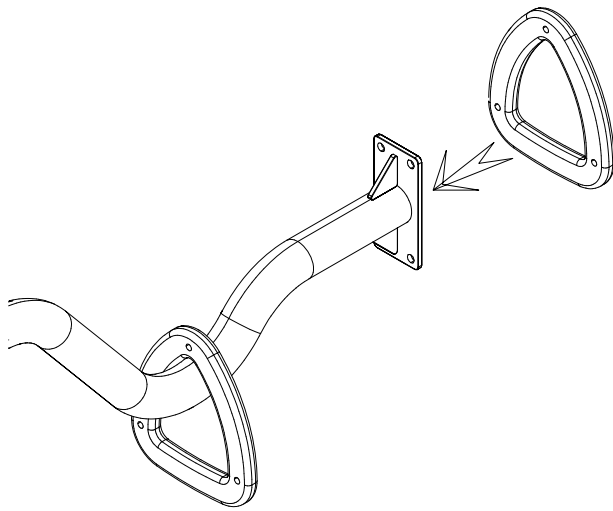


DET 6

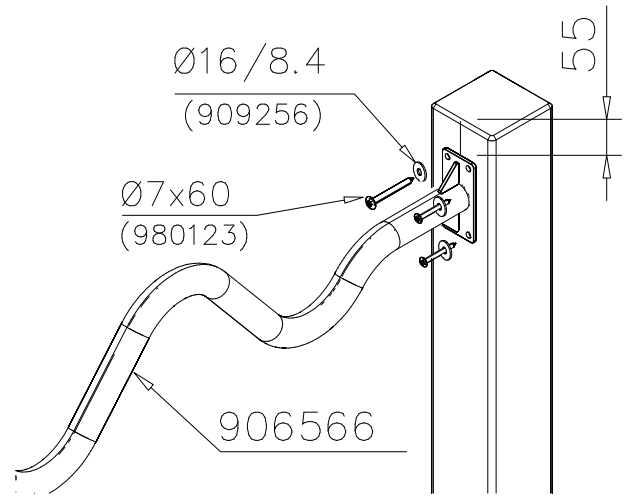




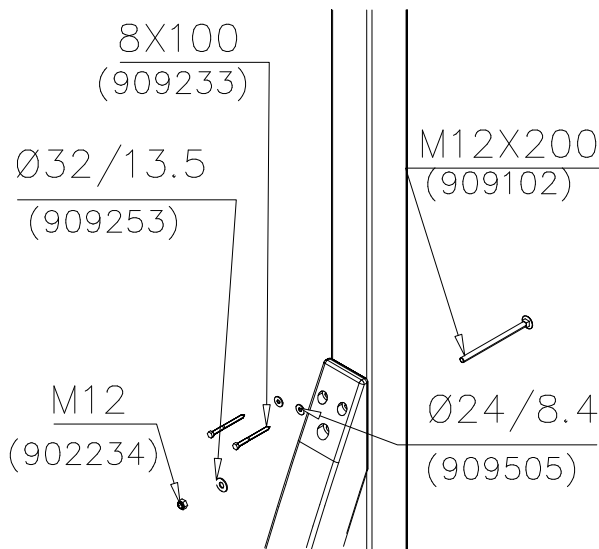
DET 13



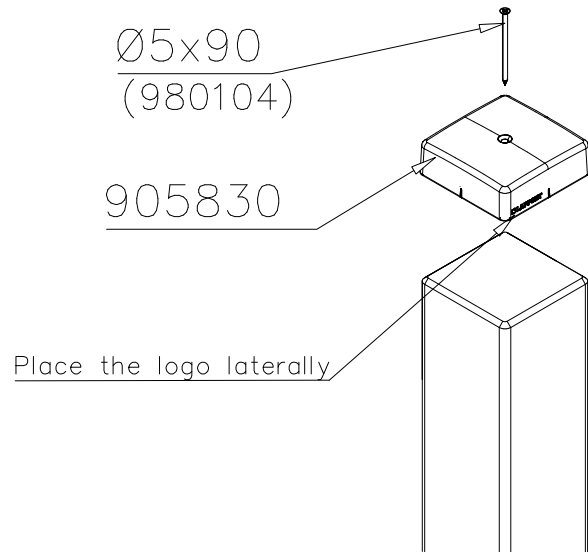
DET 14



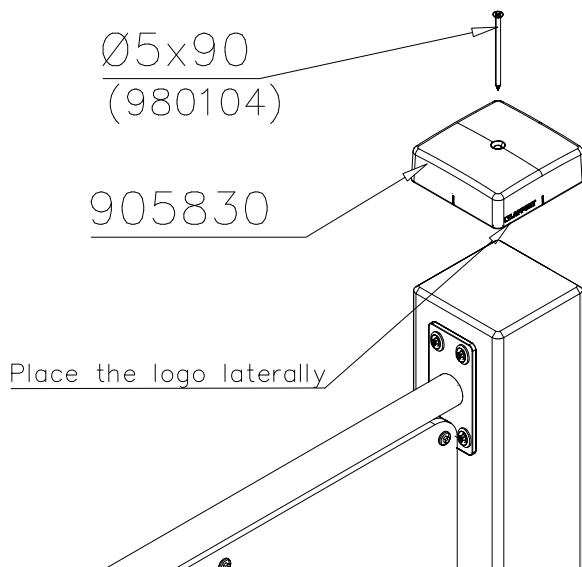
DET 15



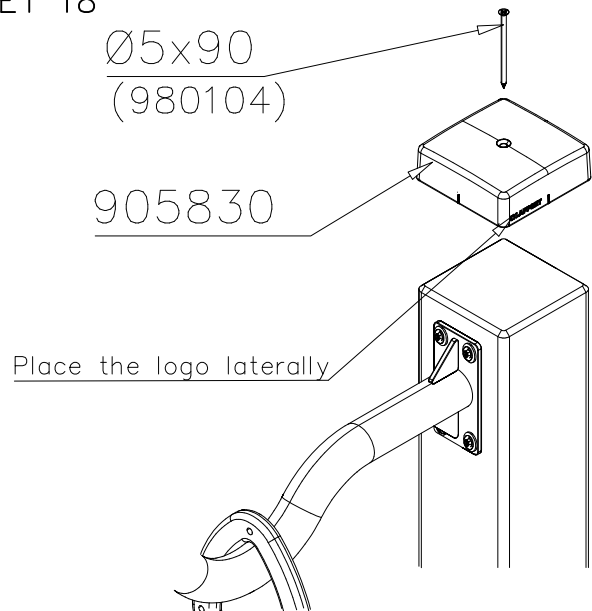
DET 16

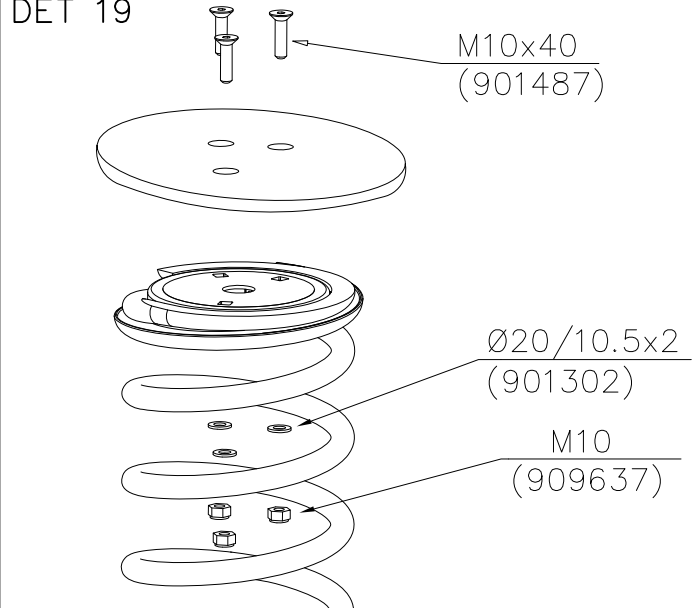
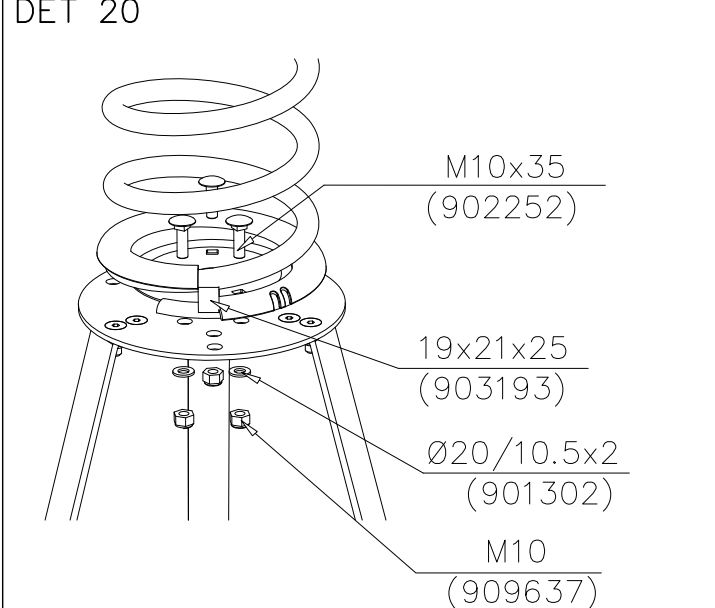
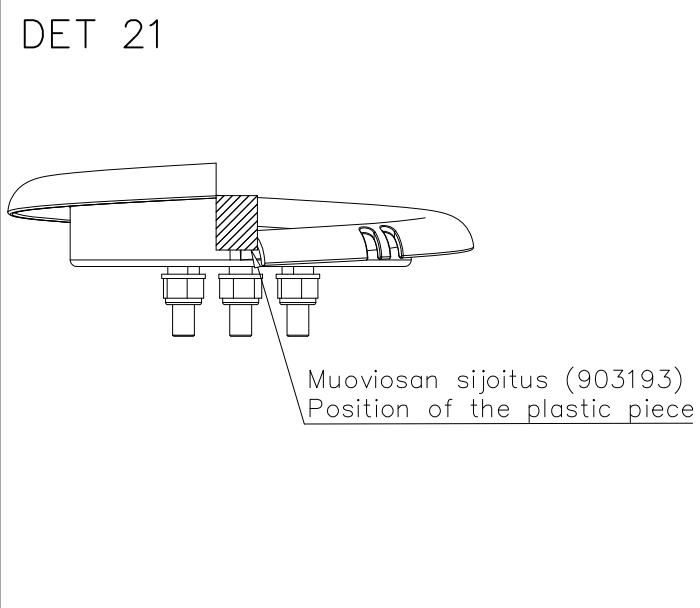
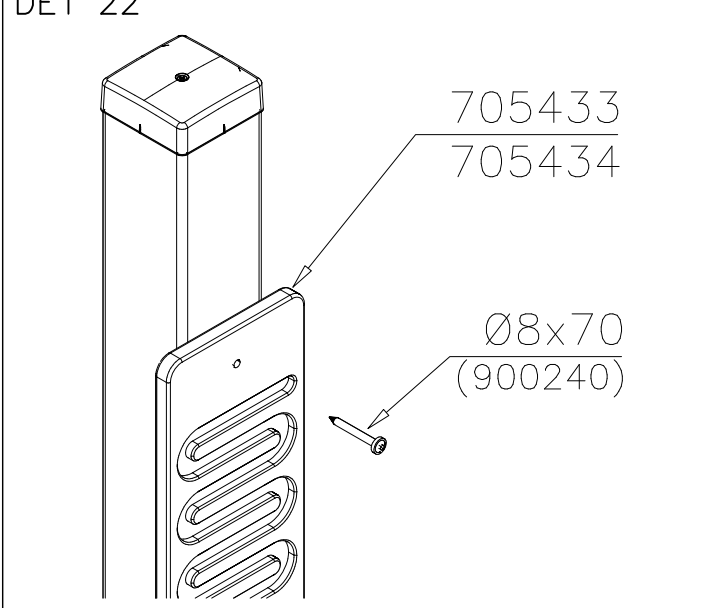
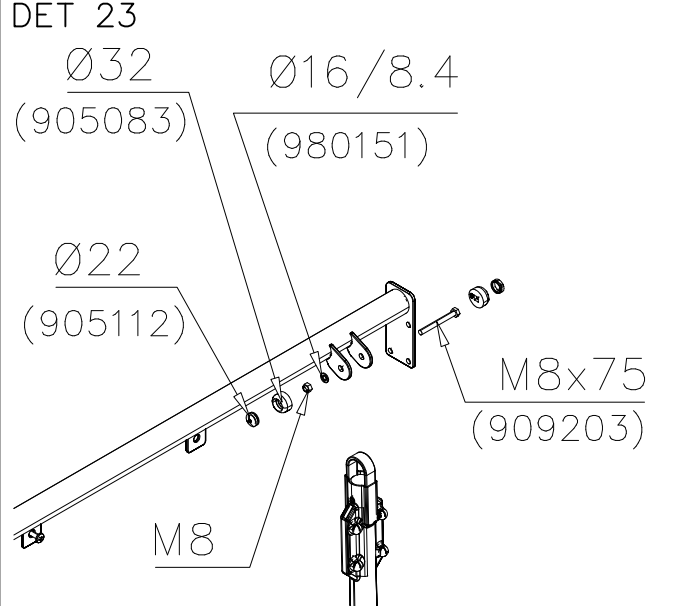
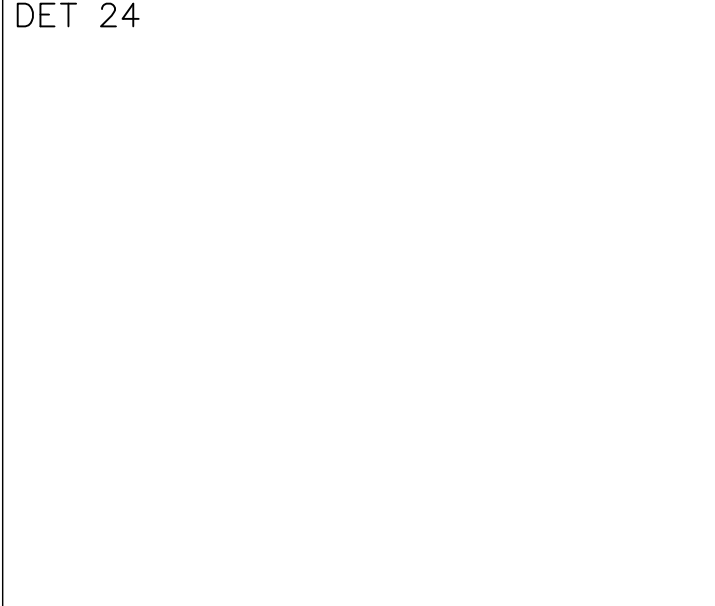


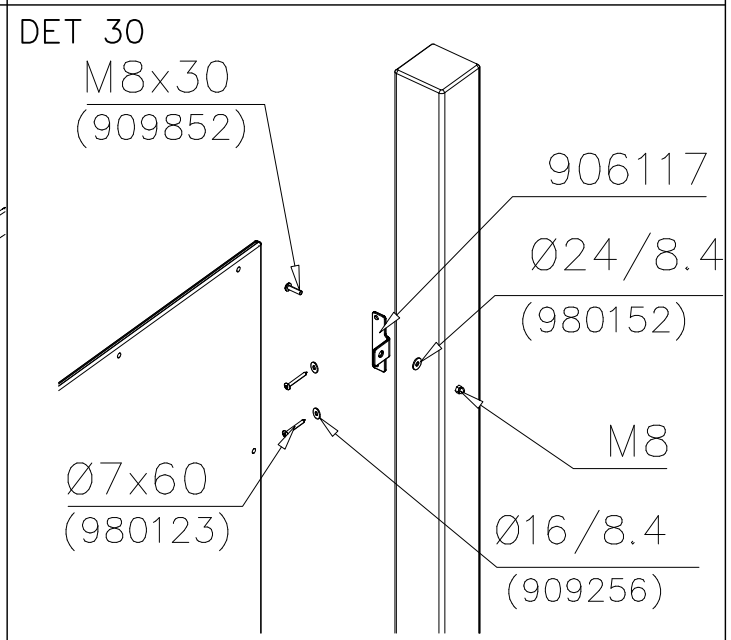
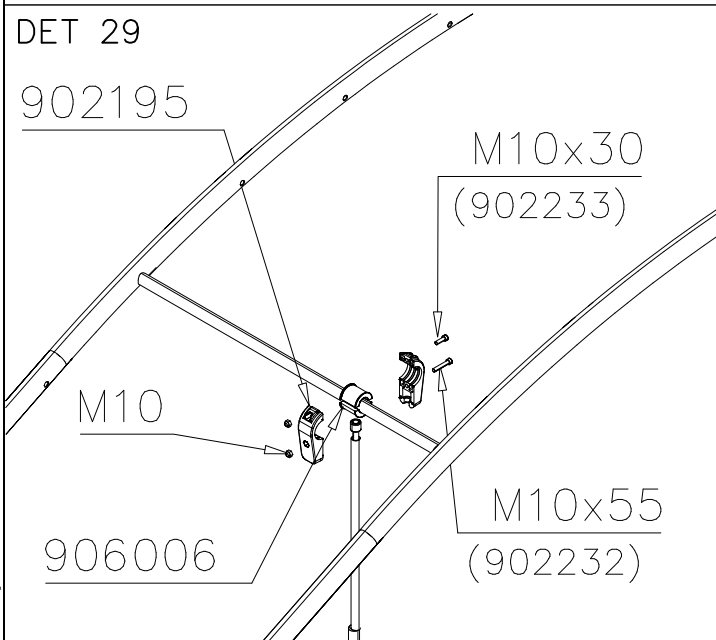
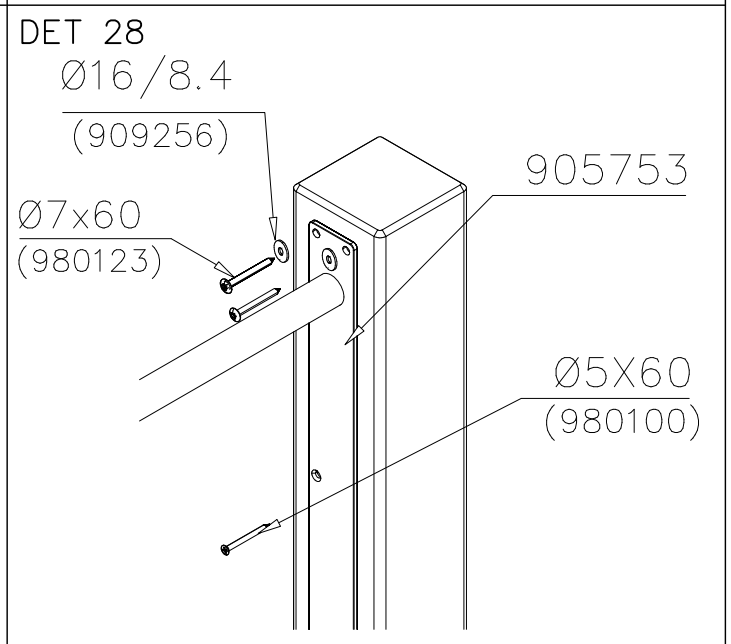
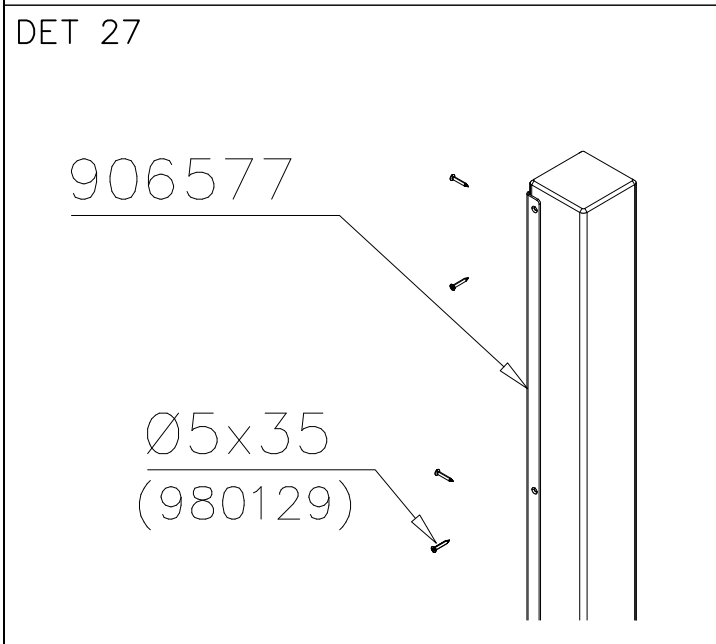
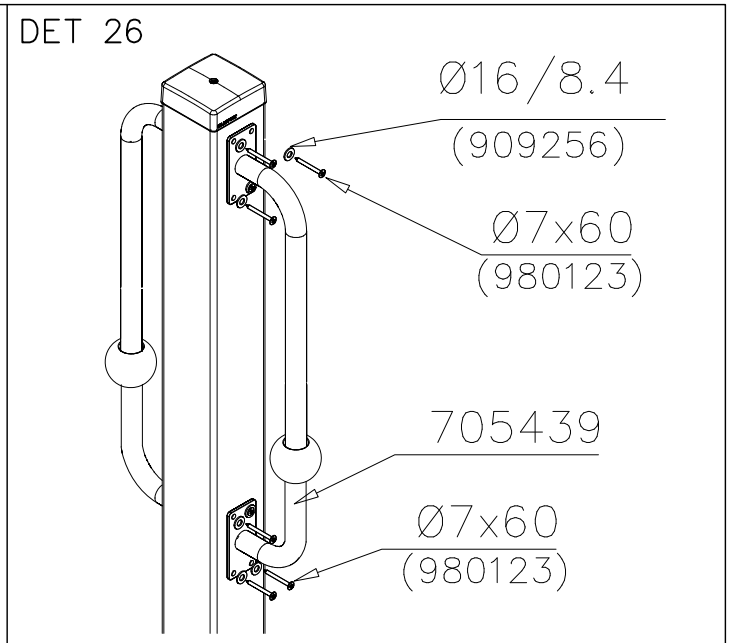
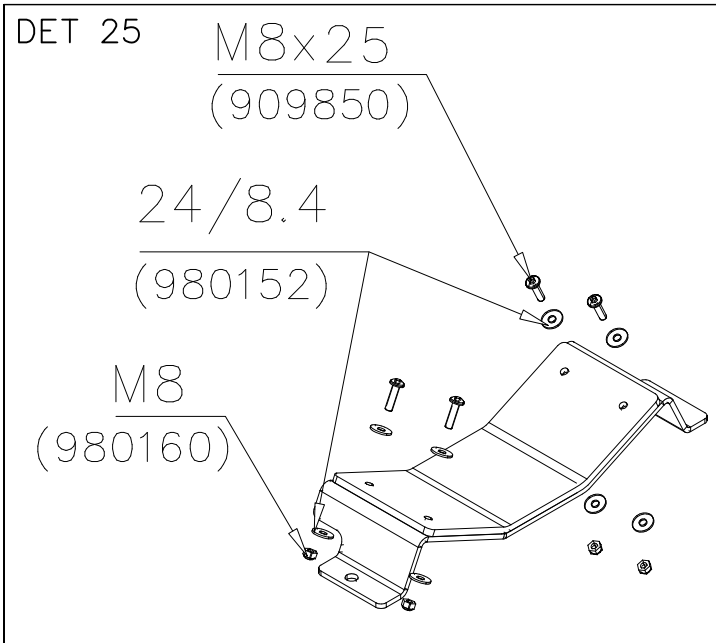
DET 17

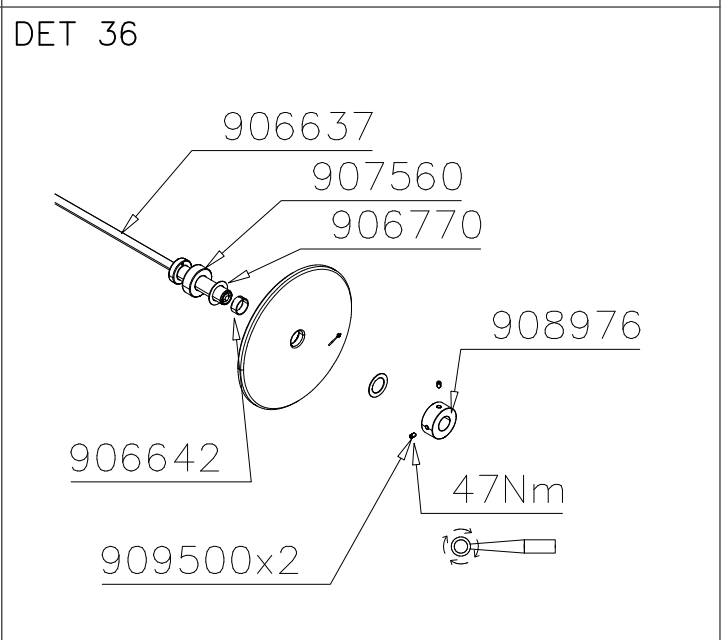
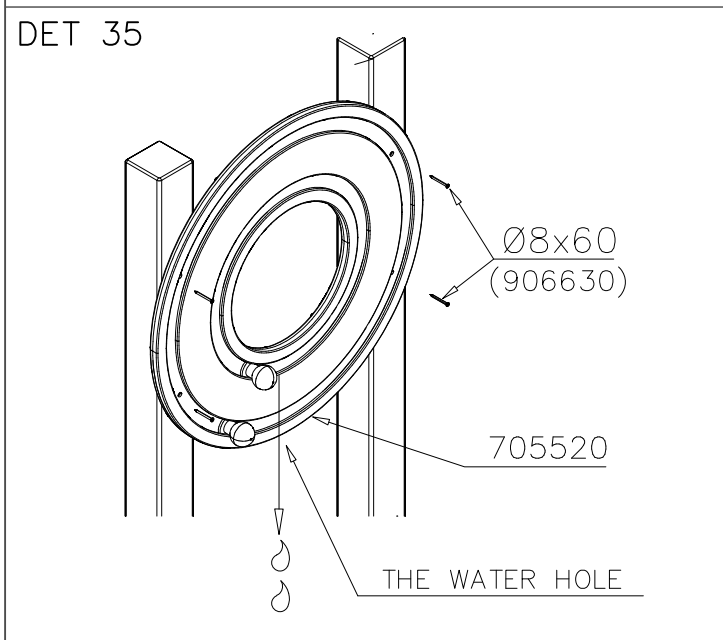
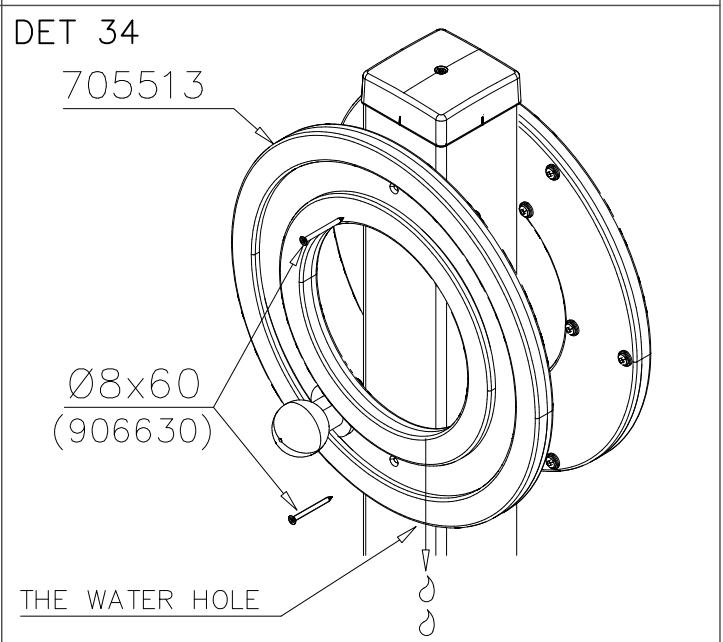
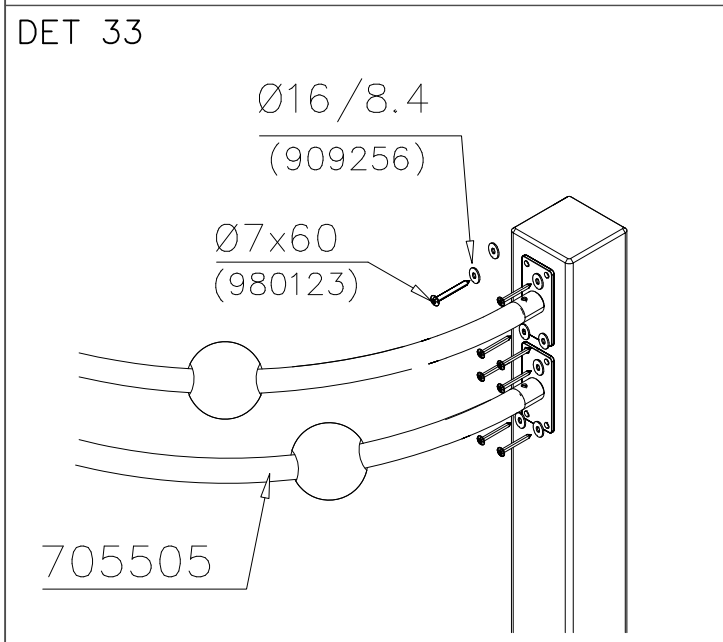
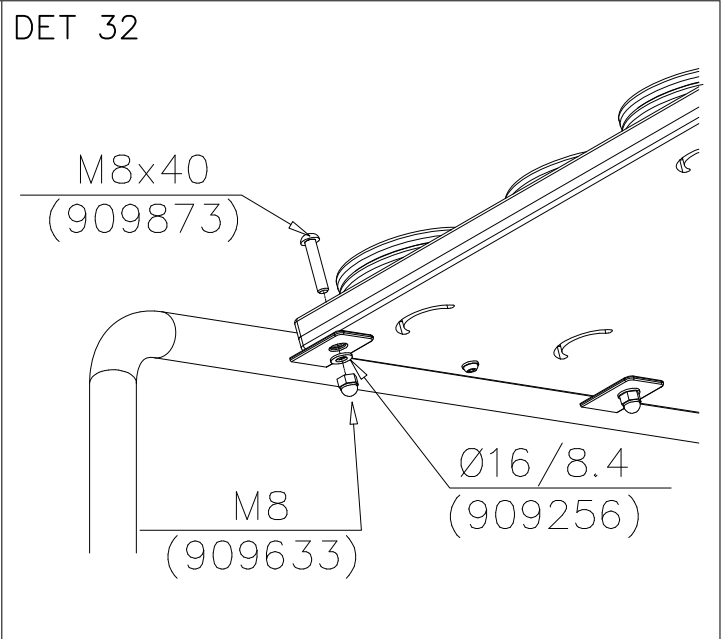
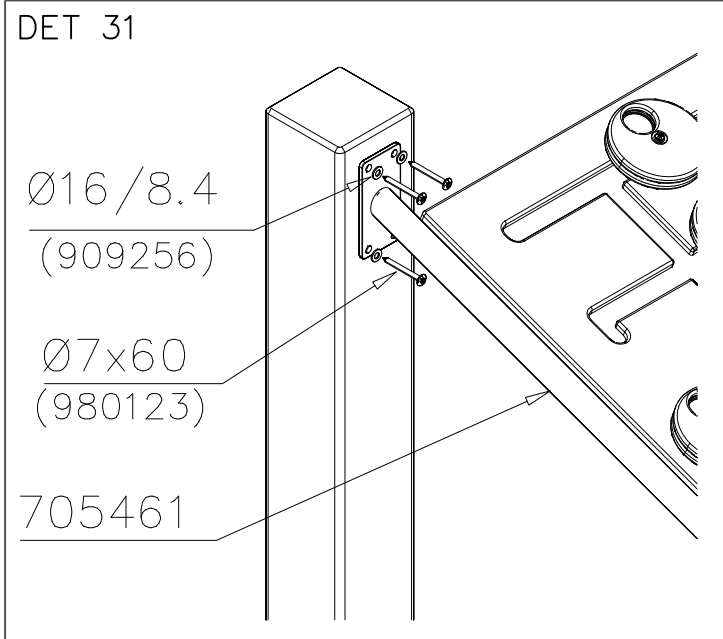


DET 18

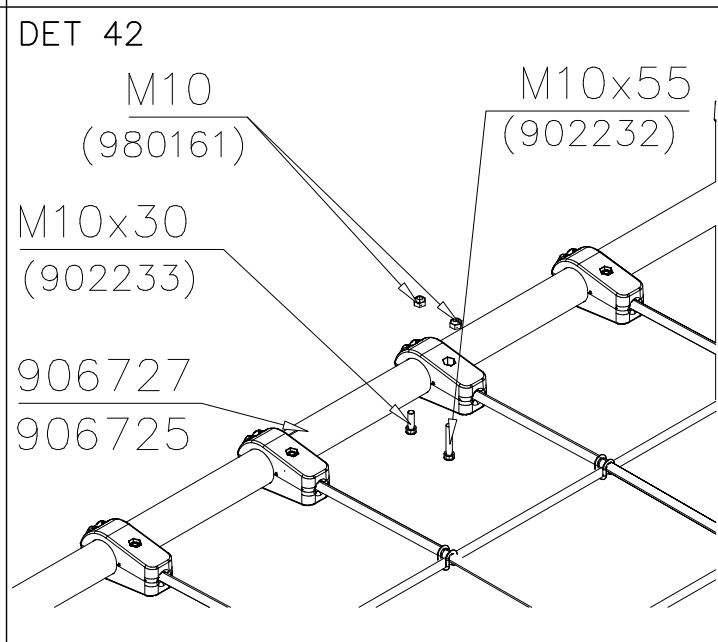
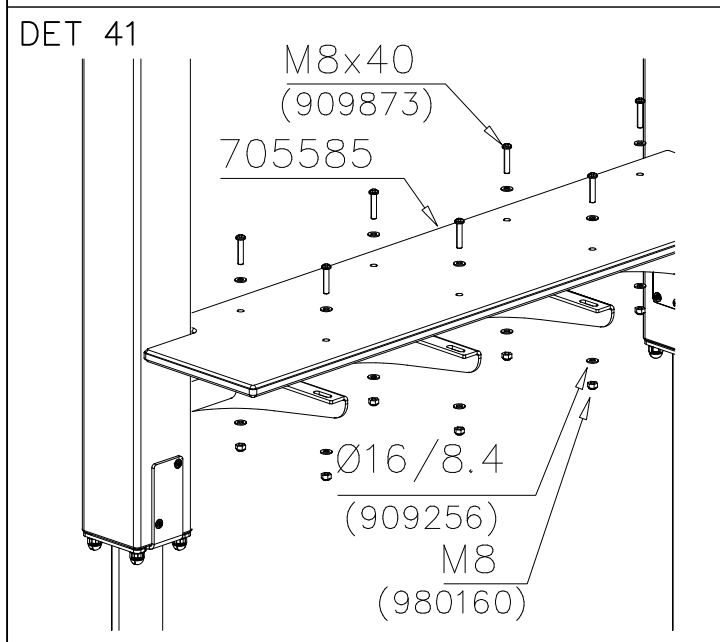
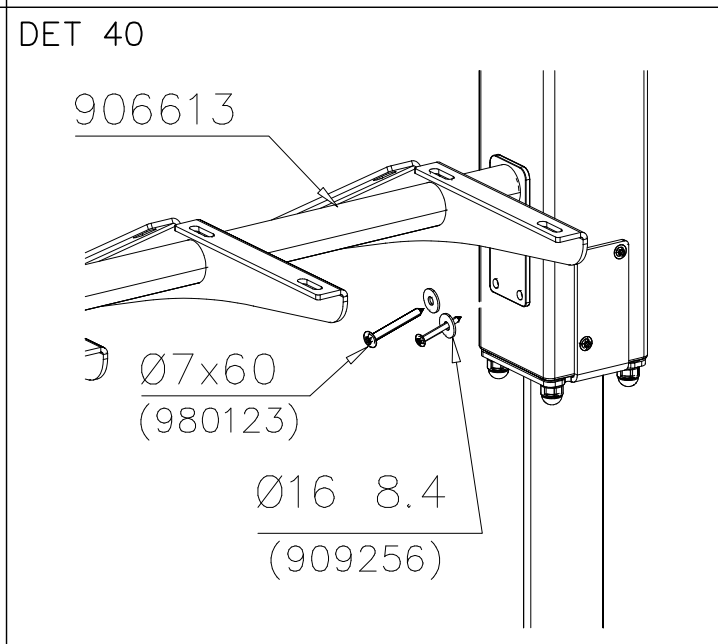
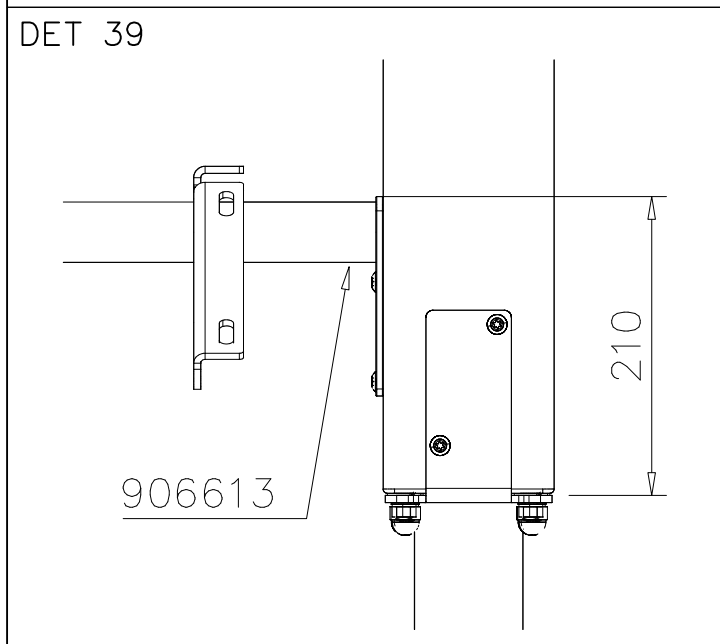
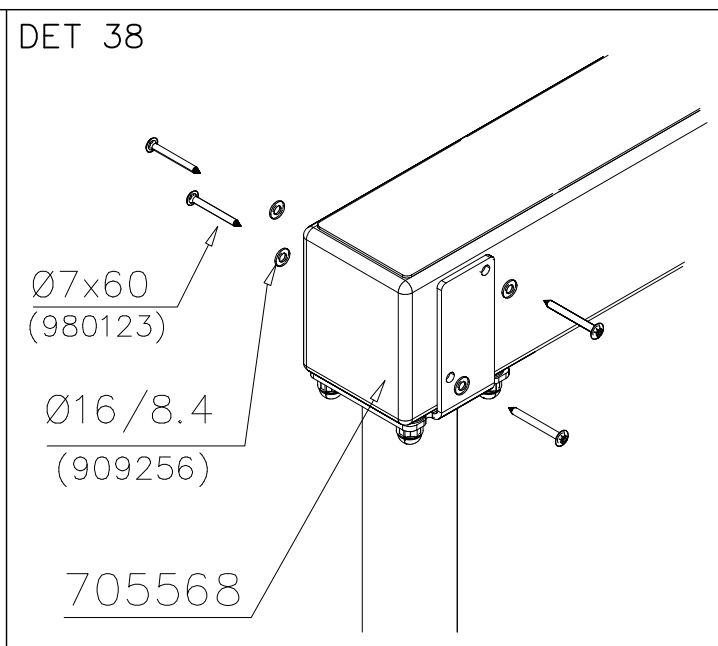
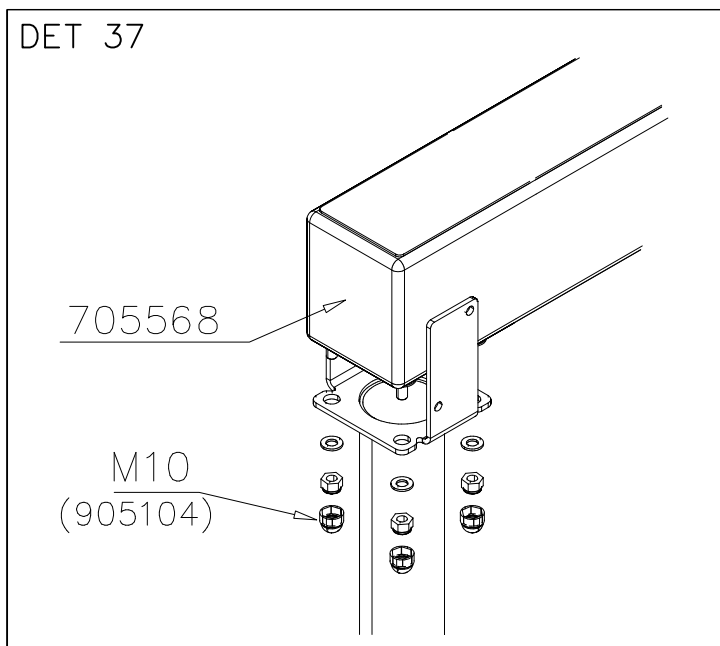


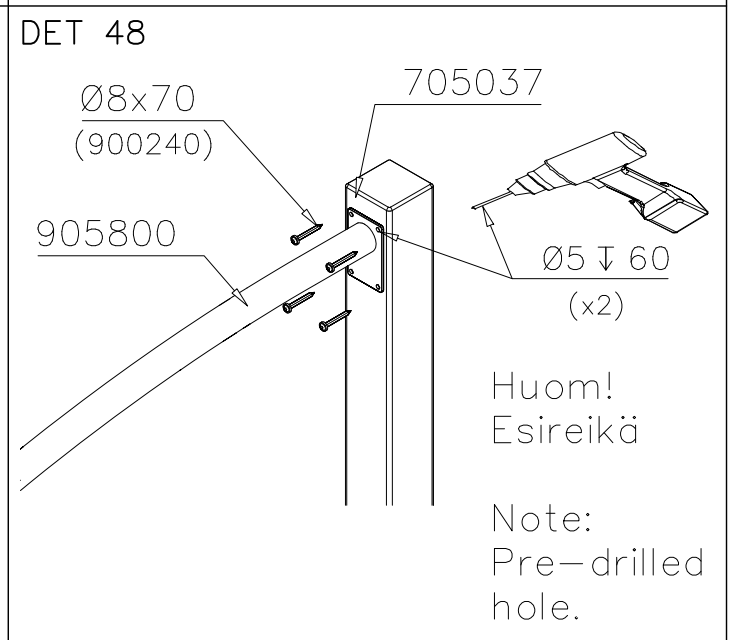
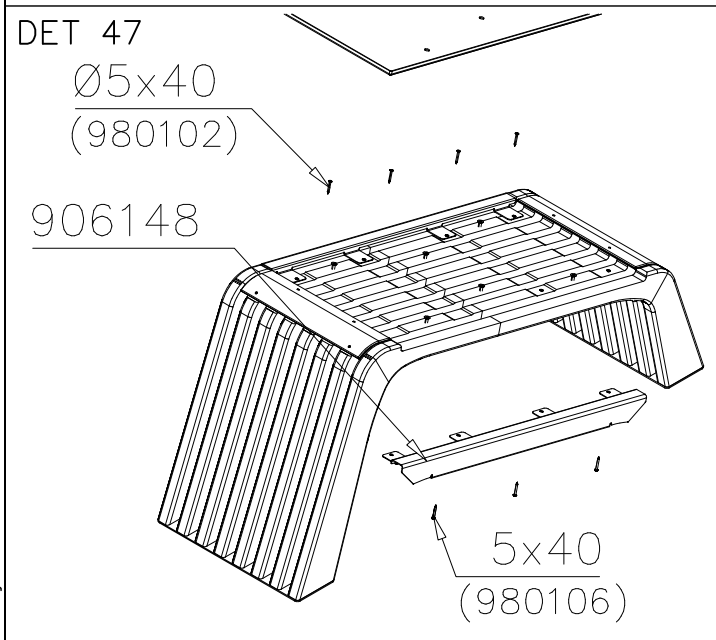
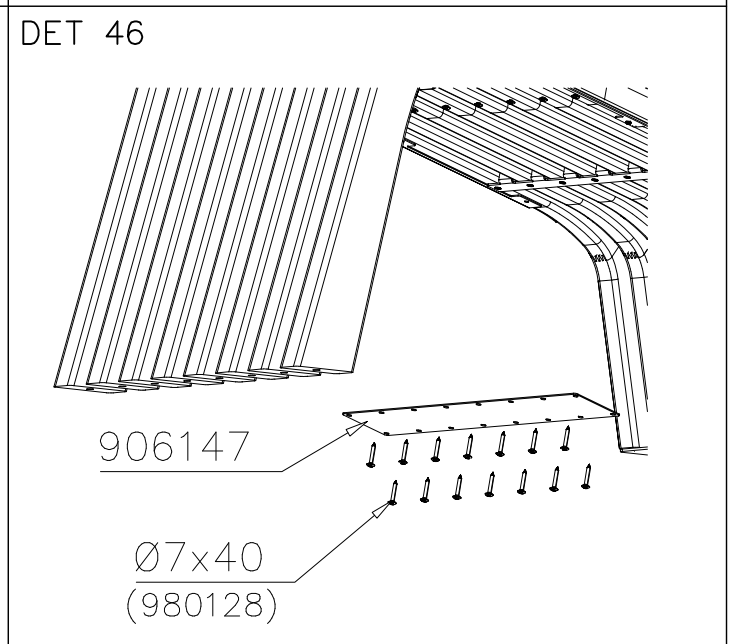
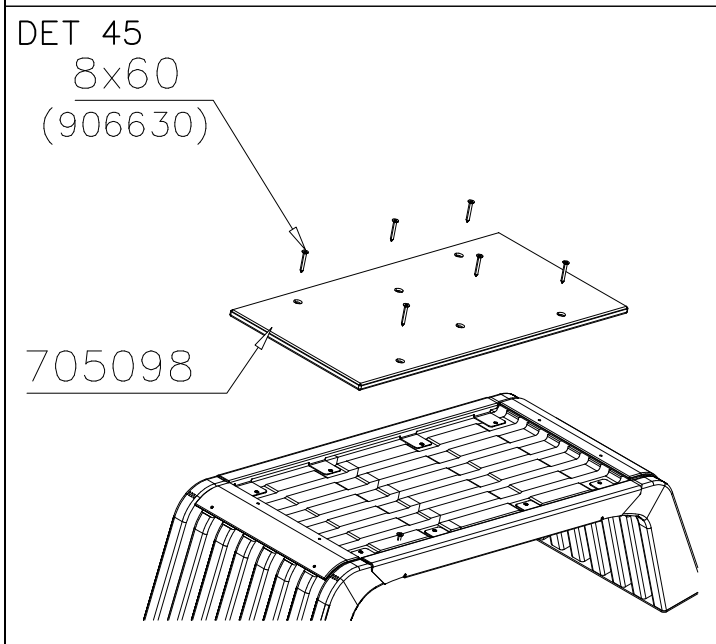
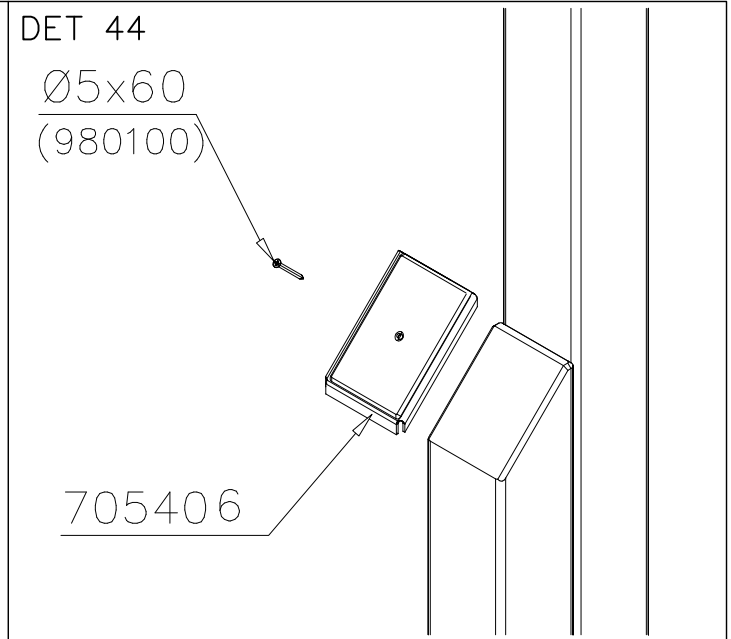
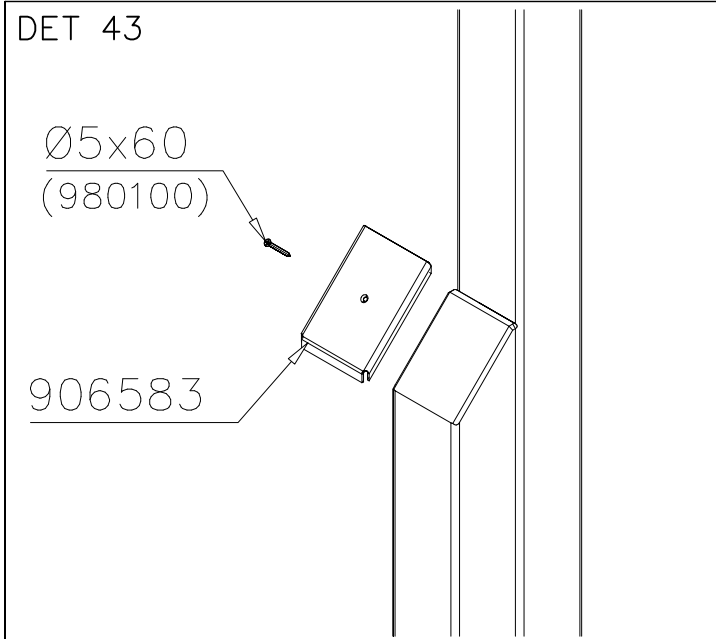
<p>DET 19</p>  <p>M10x40 (901487)</p> <p>Ø20/10.5x2 (901302)</p> <p>M10 (909637)</p>	<p>DET 20</p>  <p>M10x35 (902252)</p> <p>19x21x25 (903193)</p> <p>Ø20/10.5x2 (901302)</p> <p>M10 (909637)</p>
<p>DET 21</p>  <p>Muoviosan sijoitus (903193) Position of the plastic piece</p>	<p>DET 22</p>  <p>705433 705434</p> <p>Ø8x70 (900240)</p>
<p>DET 23</p>  <p>Ø32 (905083)</p> <p>Ø16/8.4 (980151)</p> <p>Ø22 (905112)</p> <p>M8x75 (909203)</p> <p>M8</p>	<p>DET 24</p> 

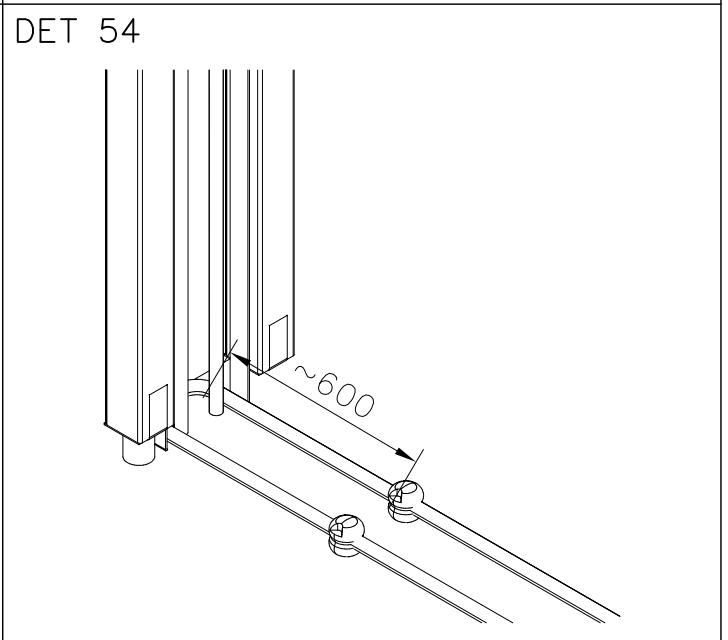
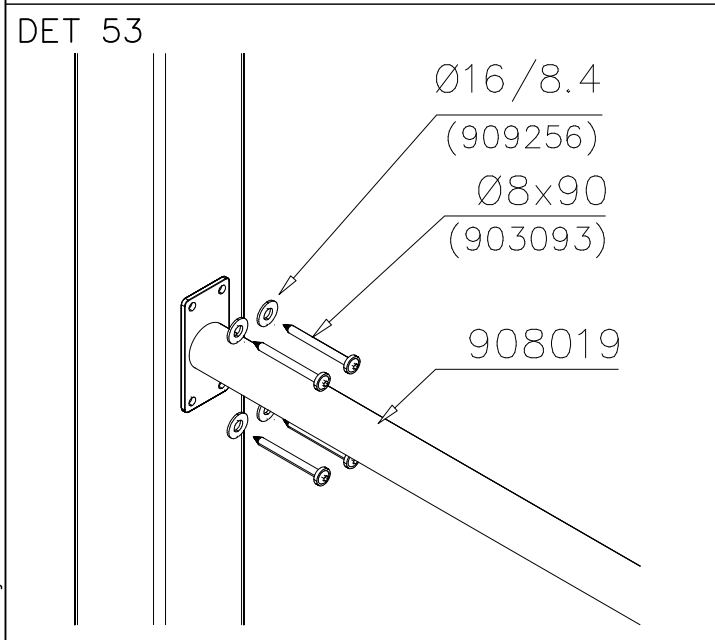
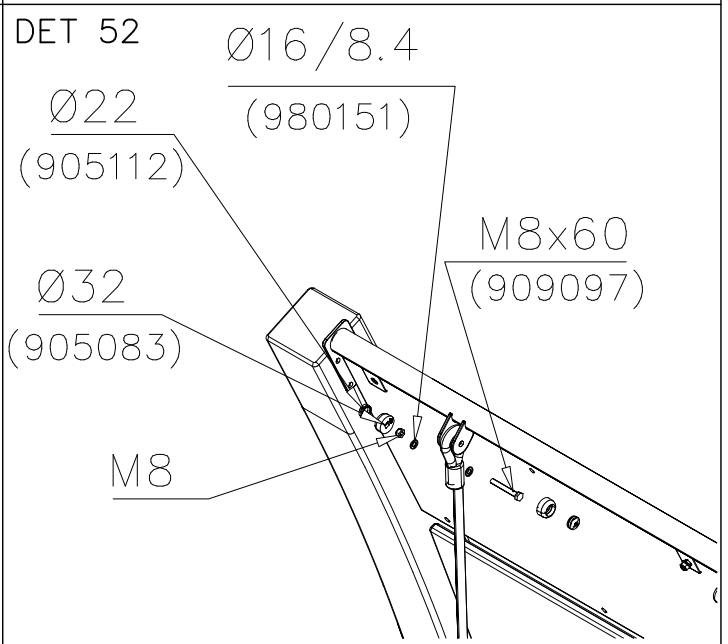
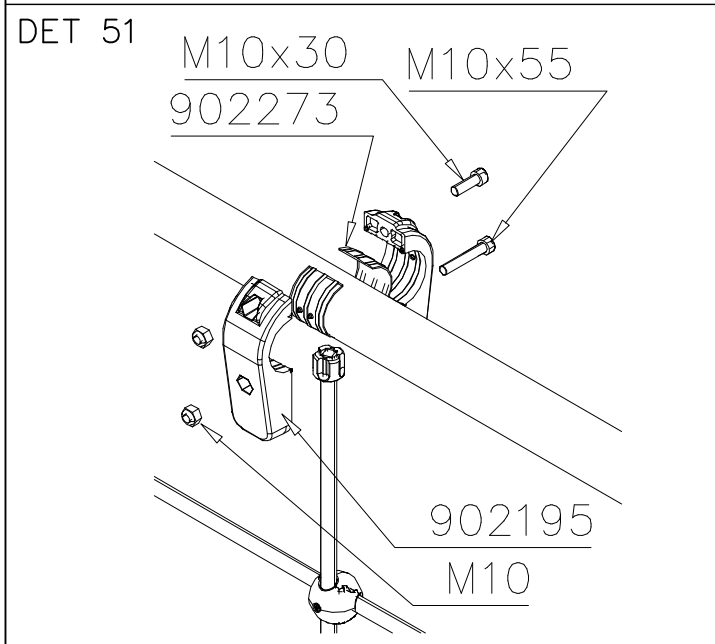
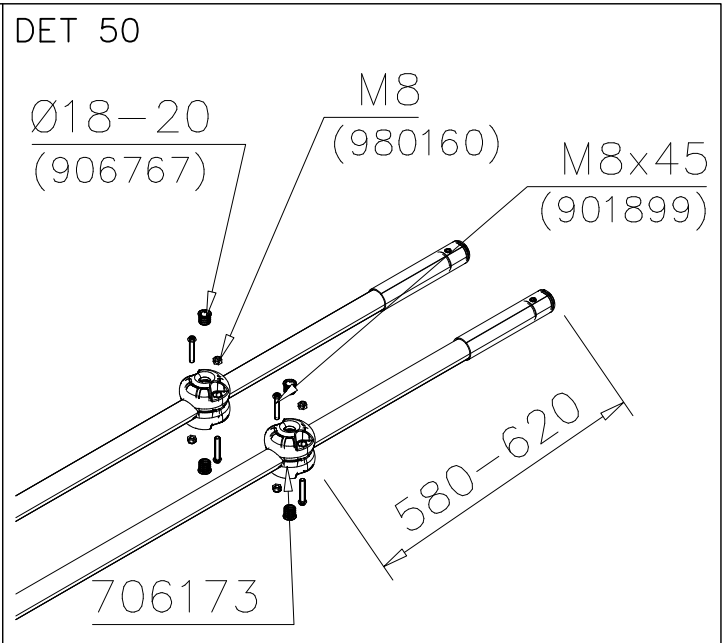
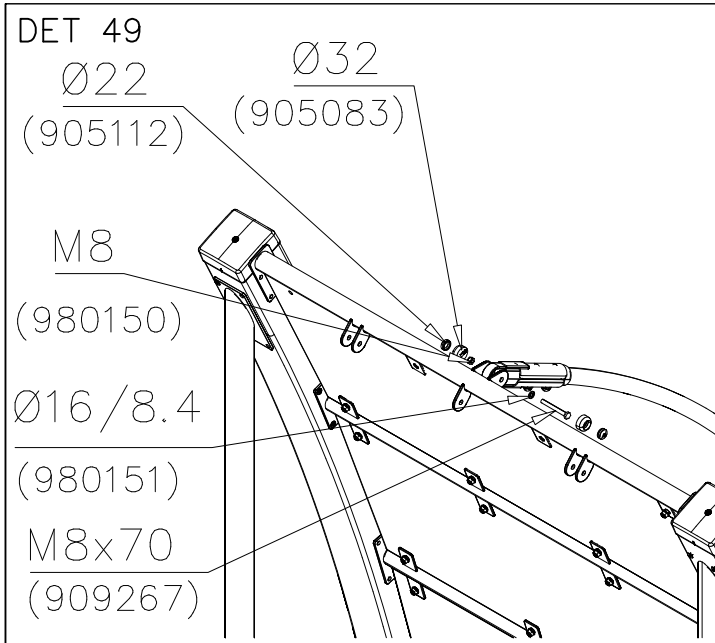




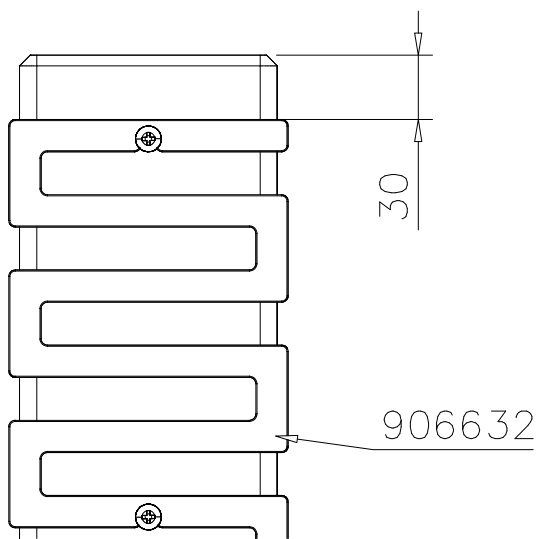




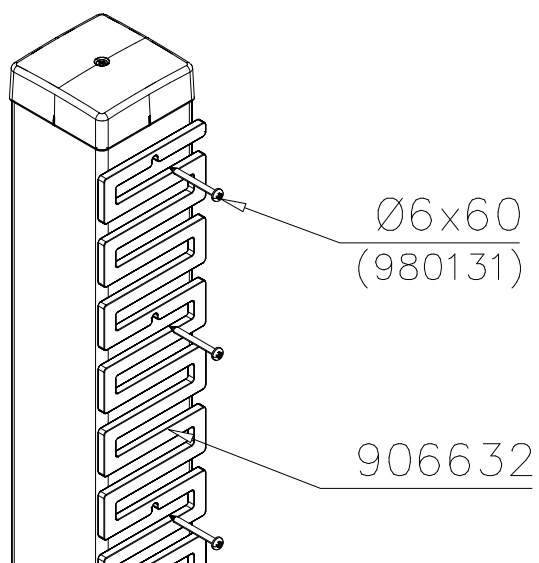




DET 55



DET 56





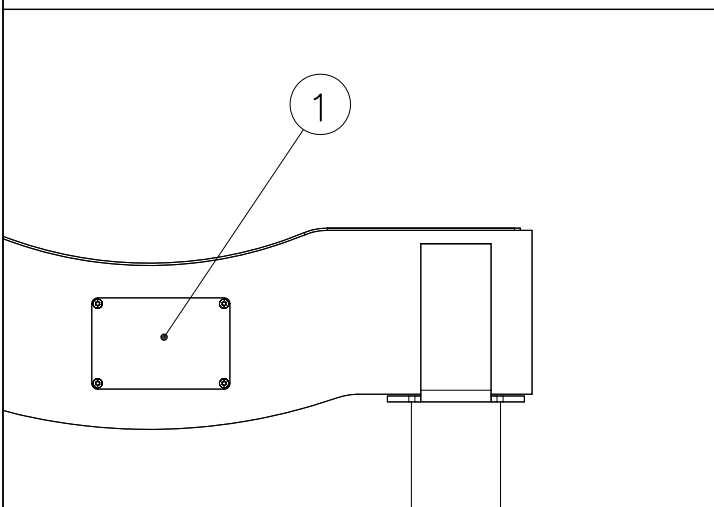
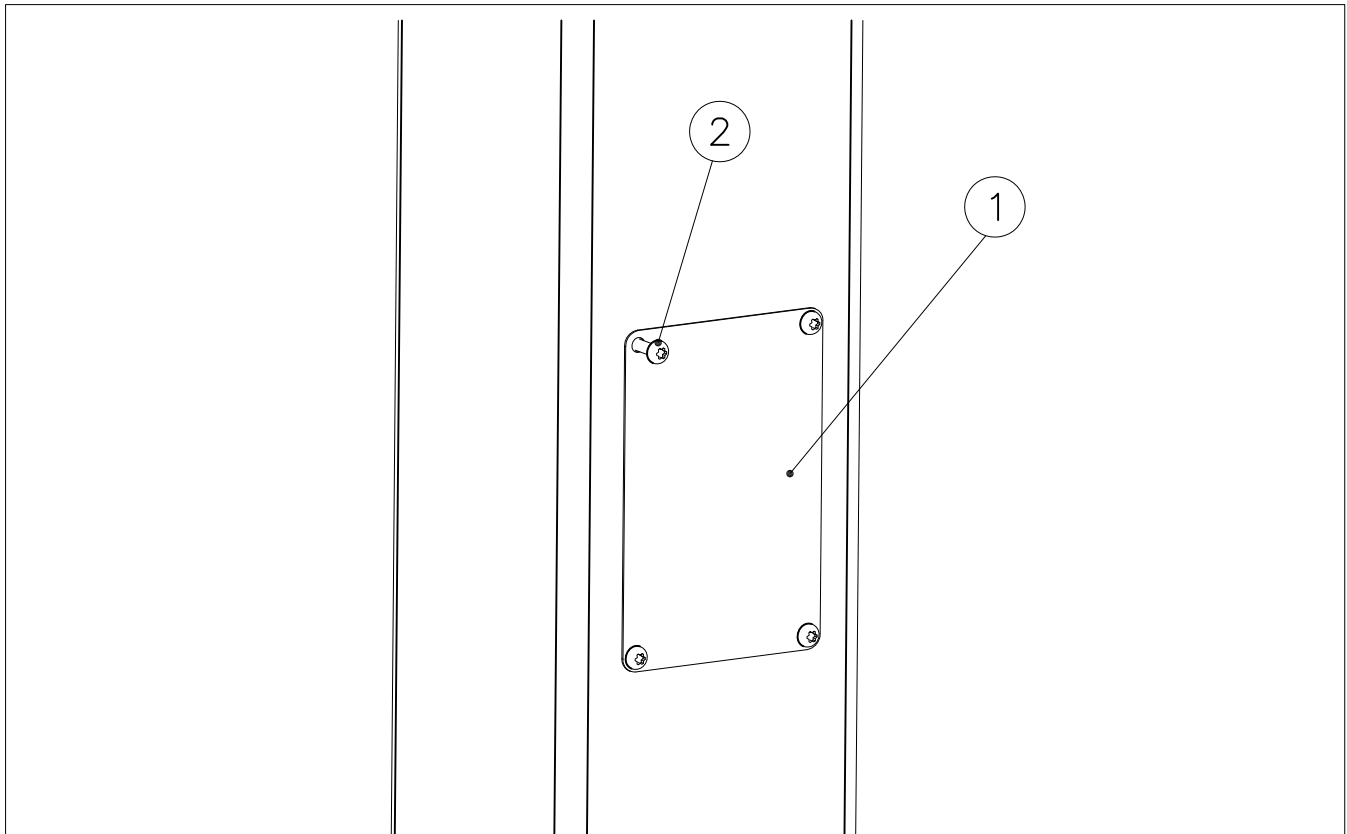
DET 57

DET 58

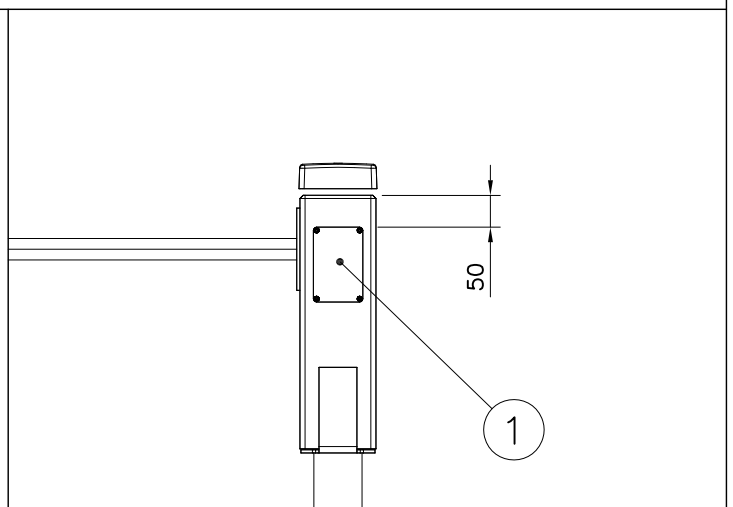
DET 59

DET 60

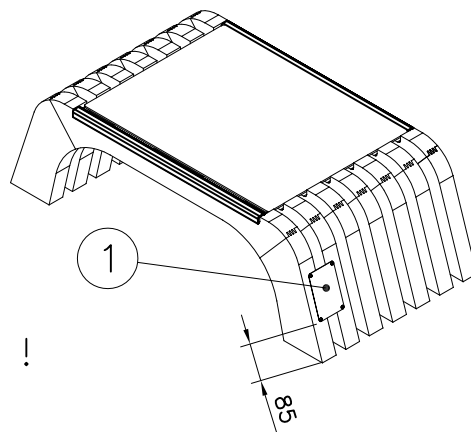
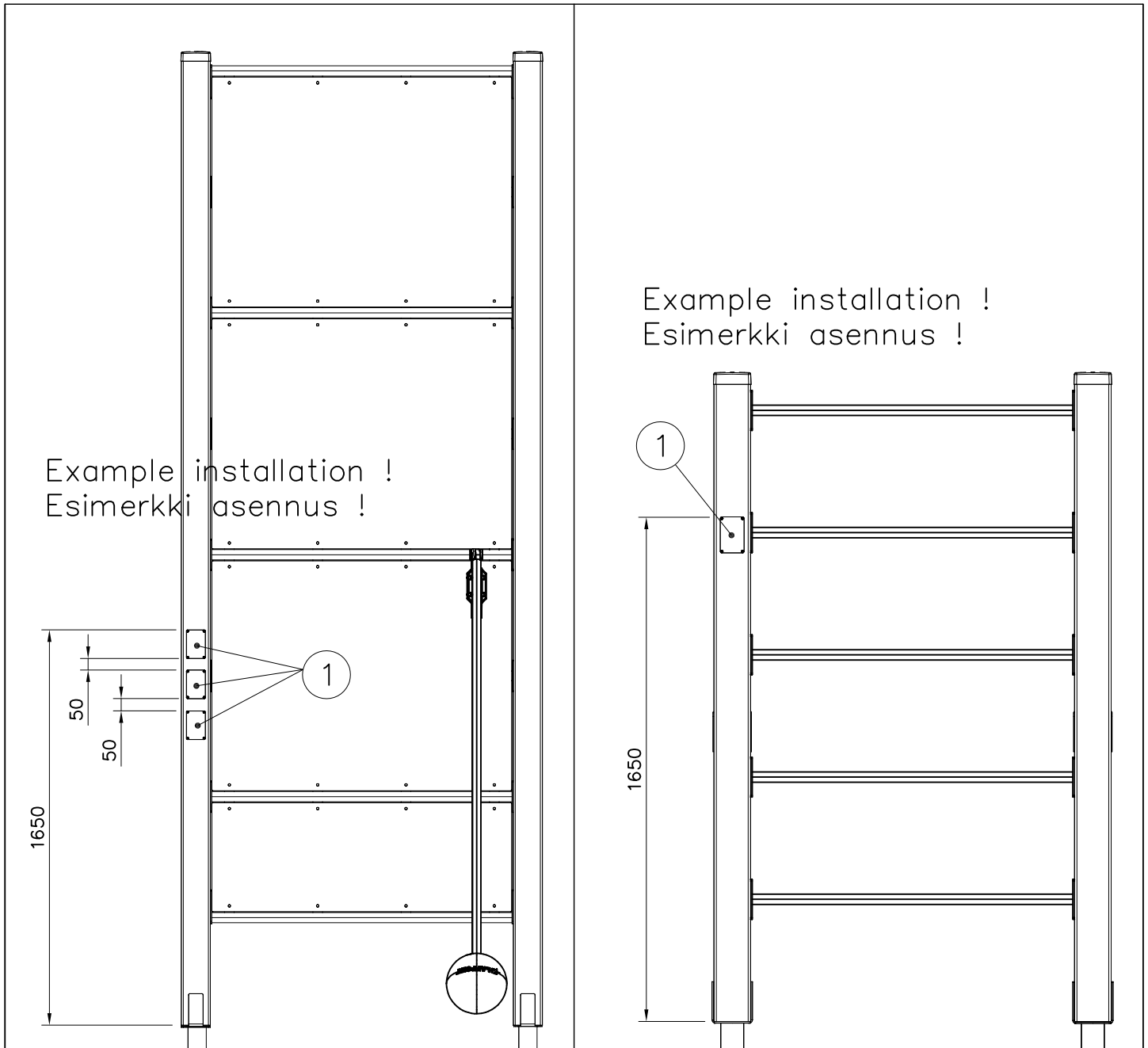
① SHEET METAL	PCS	② 980114	PCS
	1		4
118x78x0.7		Ø4x20	



Example installation !  
Esimerkki asennus !



Example installation !  
Esimerkki asennus !



Example installation !  
Esimerkki asennus !