

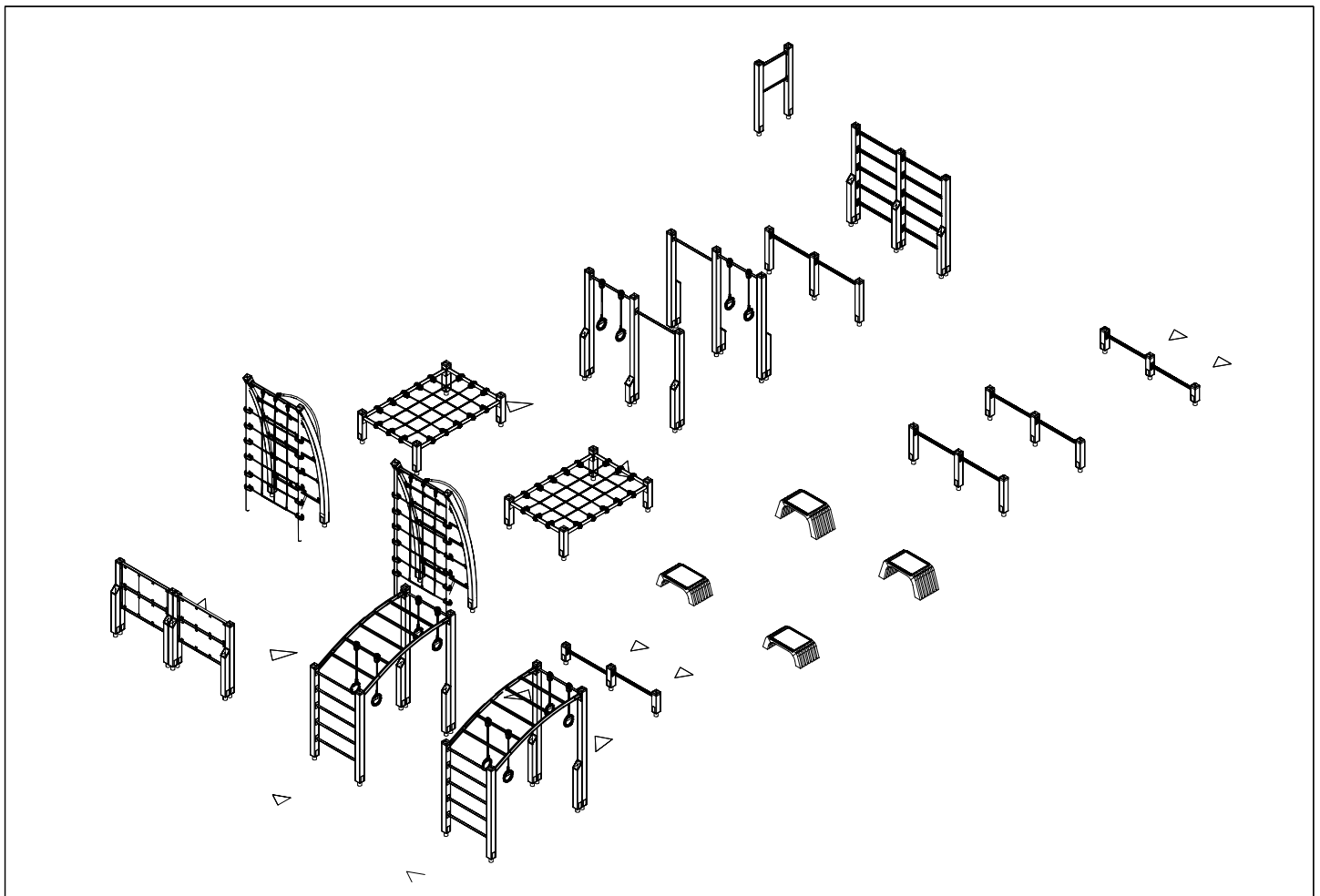
WINAM GROUP SPORT



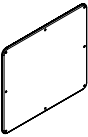
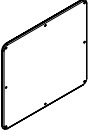




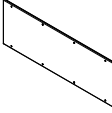
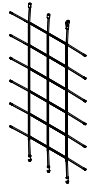





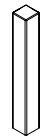
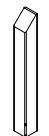


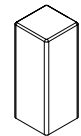
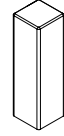


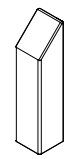
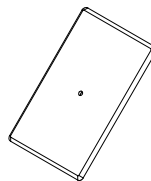
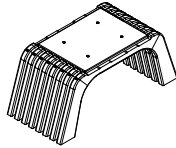
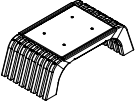

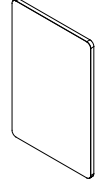
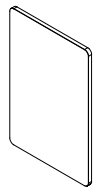
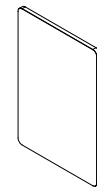
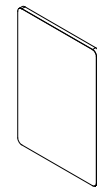
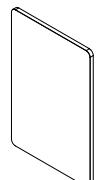
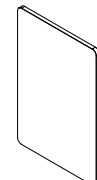
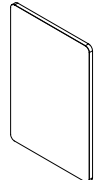
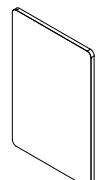
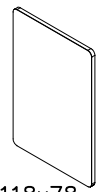
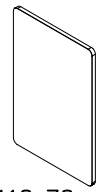
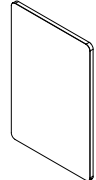
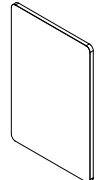
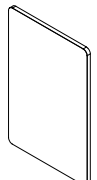
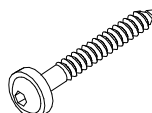
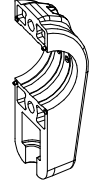
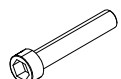
ASENNUSOHJE
MONTERINGSANSVISNING
INSTALLATION INSTRUCTION
AUFBAUANLEITUNG
NOTICE D'INSTALLATION

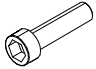
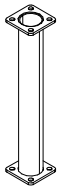
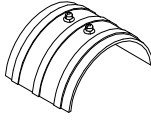

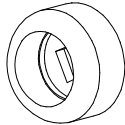
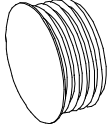
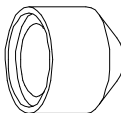
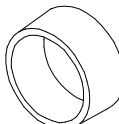

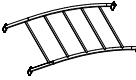
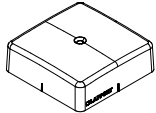

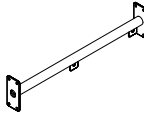
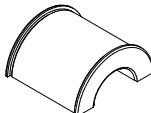
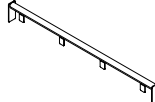
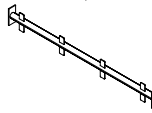
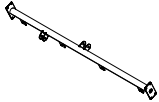
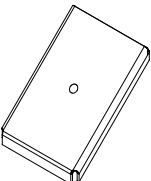
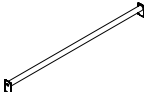
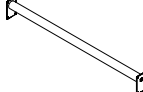

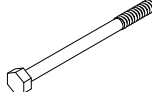


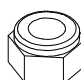
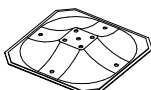
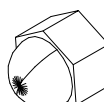
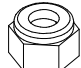
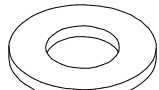
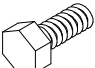

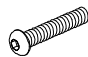
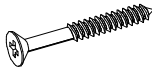
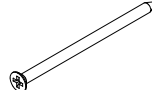

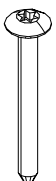

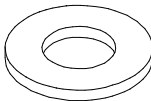
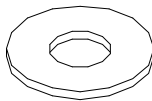
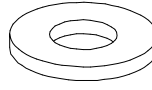

DATE: 4.9.2015

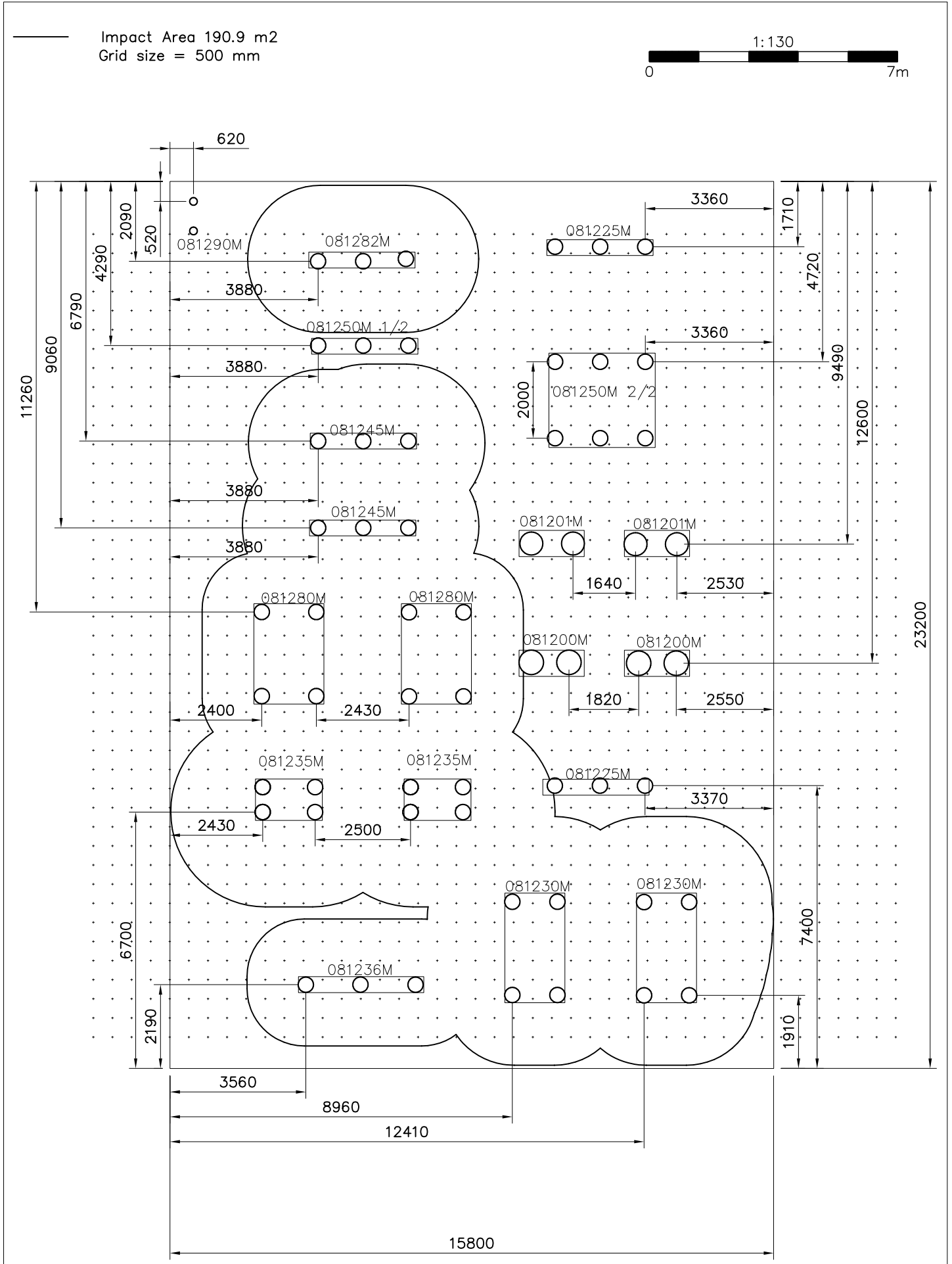
081310M



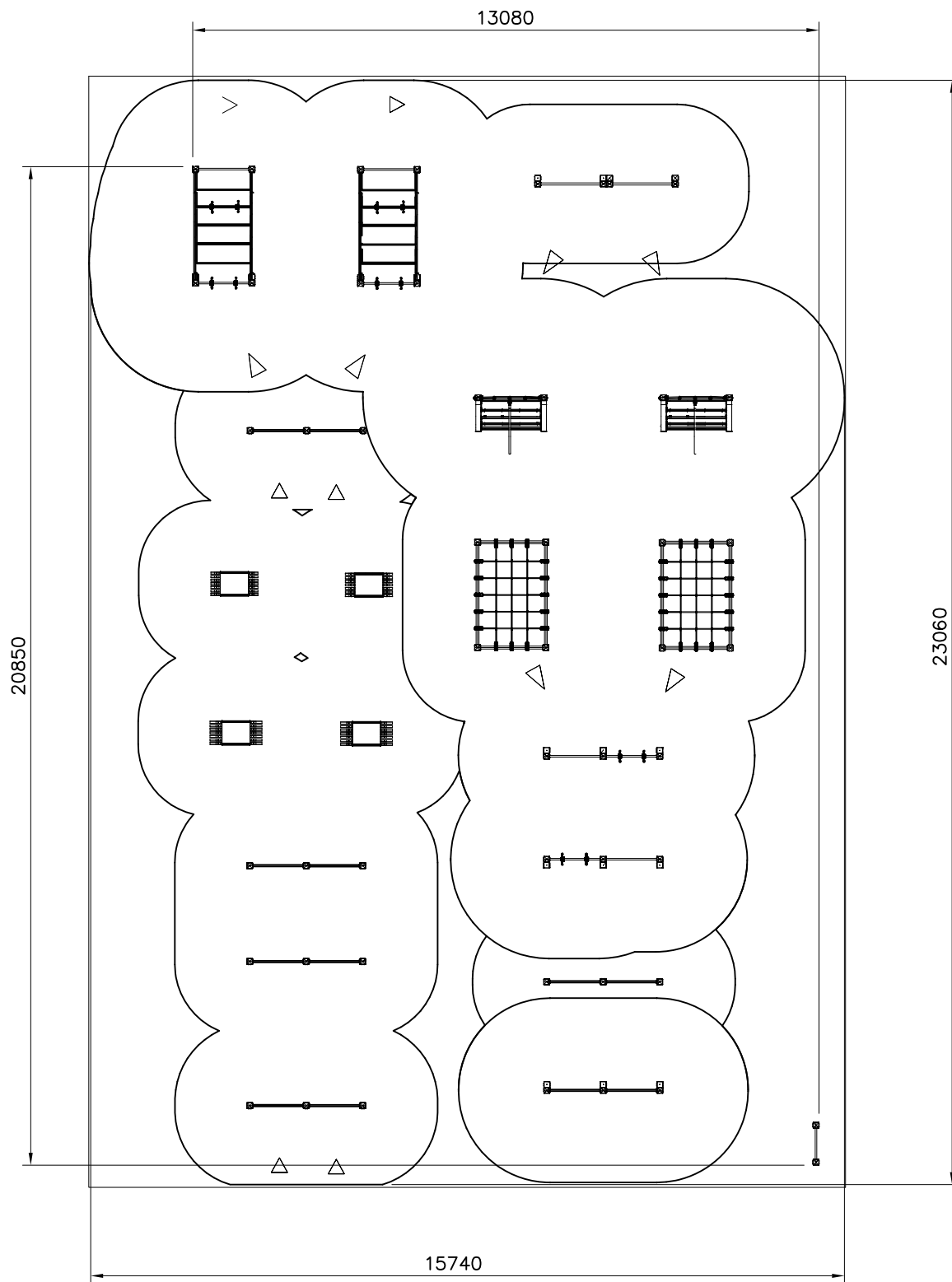
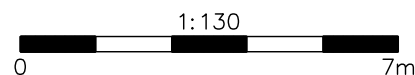
DATE: 16.2.2018

707018 Acryl + sticker  8x640x560	PCS 1	705024  15x640x560	PCS 1	705027  120x120x1520	PCS 4	705037  120x120x2590	PCS 4	705039  Ø16x974	PCS 8	705040  Ø16x764	PCS 4
705041  19x451x1240 BLUE	PCS 14	705044  WALL CLIMBER	PCS 2	705050  120x120	PCS 4	705059  WALL CLIMBER DEEP	PCS 2	705231  120x120x2290	PCS 2	705328  120x120x570	PCS 11
705329  120x120x720	PCS 3	705330  120x120x870	PCS 4	705335  120x120x1000	PCS 16	705345  120x120x1520	PCS 2	705347  120x120x1990	PCS 4	705348  120x120x300	PCS 2
705349  120x120x400	PCS 4	705388  120x120x2090	PCS 6	705402  120x120x2290	PCS 2	705405  120x120x500	PCS 2	705406  126x181x15	PCS 2	705411  M ACTIVE	PCS 2
705428  S ACTIVE	PCS 2	705537  WALL CLIMBER	PCS 2	706017  118x78	PCS 2	706018  118x78	PCS 2	706025  118x78	PCS 2	706026  118x78	PCS 2
706027  118x78	PCS 2	706028  118x78	PCS 2	706030  118x78	PCS 2	706031  118x78	PCS 2	706036  118x78	PCS 2	706037  118x78	PCS 2
706060  118x78	PCS 2	706087  118x78	PCS 2	706088  118x78	PCS 2	900240  Ø8x70	PCS 32	902195  150x50x50	PCS 36	902232  M10x55	PCS 68

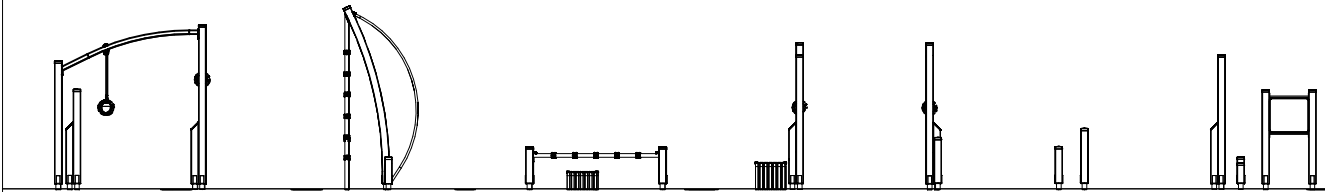
902233  M10x30	PCS 68	902272  90x90x450	PCS 16	902273  112	PCS 112		PCS	904064  Ø60x3416	PCS 4	905083  Ø32	PCS 16
905103  PT-28/32-H	PCS 47	905104  M10	PCS 268	905112  Ø22	PCS 16	905761  120x120x700	PCS 67	905800  2260x600x1270	PCS 2	905830  123x123x40	PCS 50
905838  L=1060	PCS 36	905936  L=652	PCS 2	906006  Ø64/36,4x59	PCS 24	906009  Ø42,4x1252	PCS 6	906021  Ø42,4x1252	PCS 10	906071  Ø42,4x1252	PCS 2
906583  126x181x14x3	PCS 15	906725  Ø60x2080	PCS 4	906727  Ø60x1307	PCS 4	909097  M8x60	PCS 6	909246  M12x140	PCS 47	909256  Ø16/8.4x1.6	PCS 904
909267  M8x70	PCS 2	980161  M10	PCS 136	909519  50x380x380	PCS 22	909633  M8	PCS 40	909637  M10	PCS 50	909638  Ø20/10.5	PCS 100
909639  M10x25	PCS 50	909852  M8x30	PCS 114	909855  M8x35	PCS 6	980100  Ø5x60	PCS 17	980104  Ø5x90	PCS 50	980114  Ø4x20	PCS 156
980123  Ø7x60	PCS 772	980150  M8	PCS 8	980151  Ø16/8.4	PCS 16	980152  Ø24/8.4x2	PCS 32	980154  Ø24/13	PCS 47	980160  M8	PCS 80



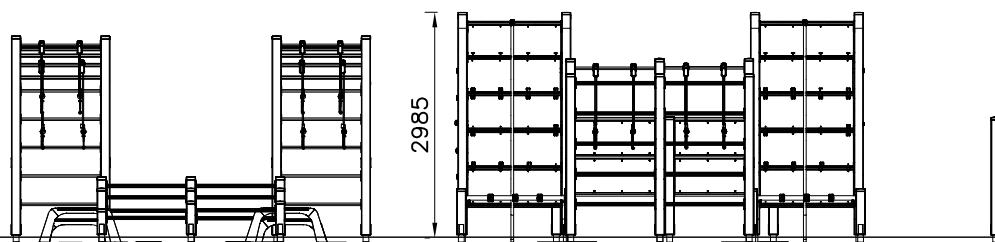
— Area of Movement 283.3 m²
— Impact Area 190.9 m²
Max Falling Height = 2960 mm

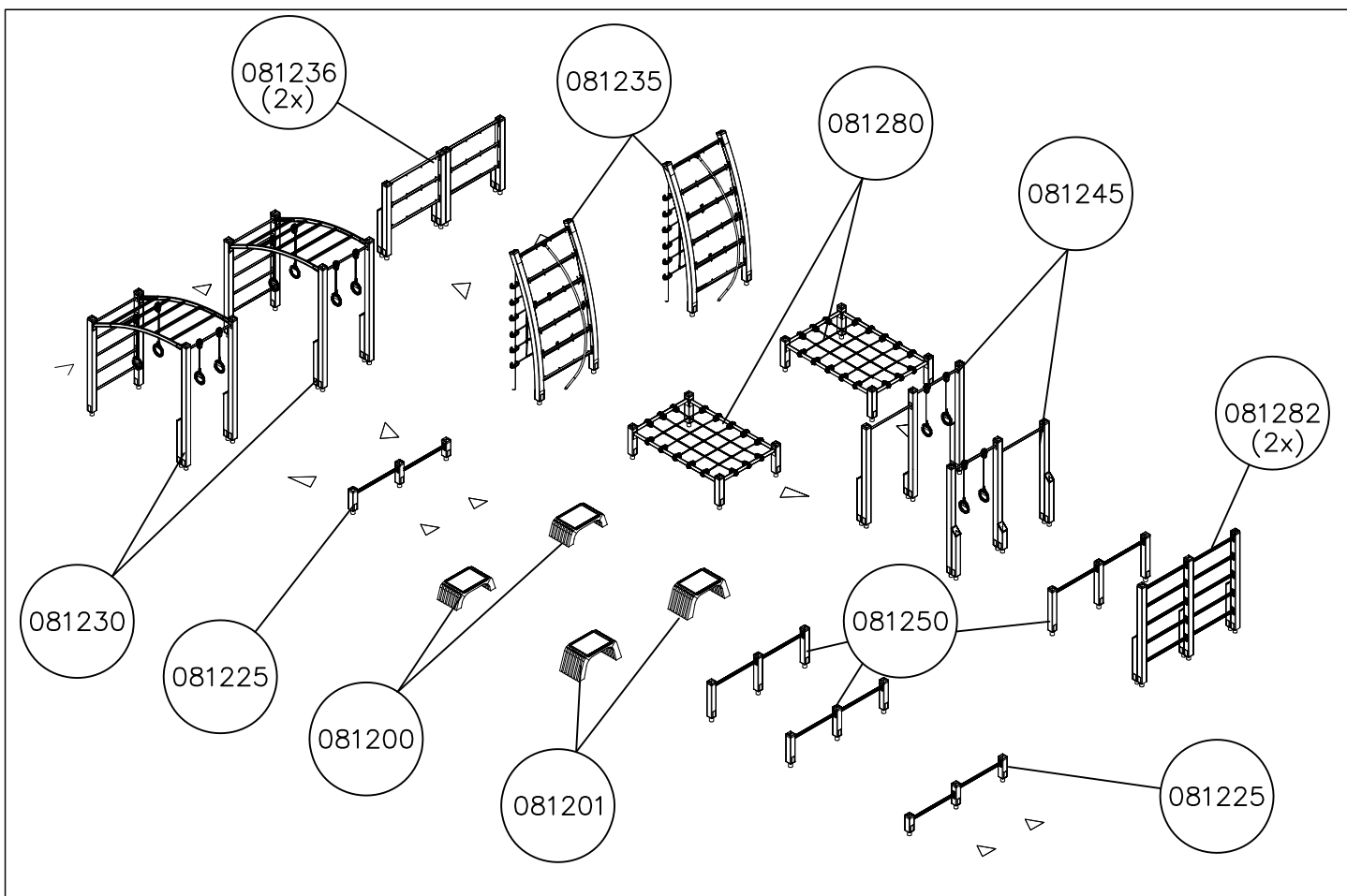
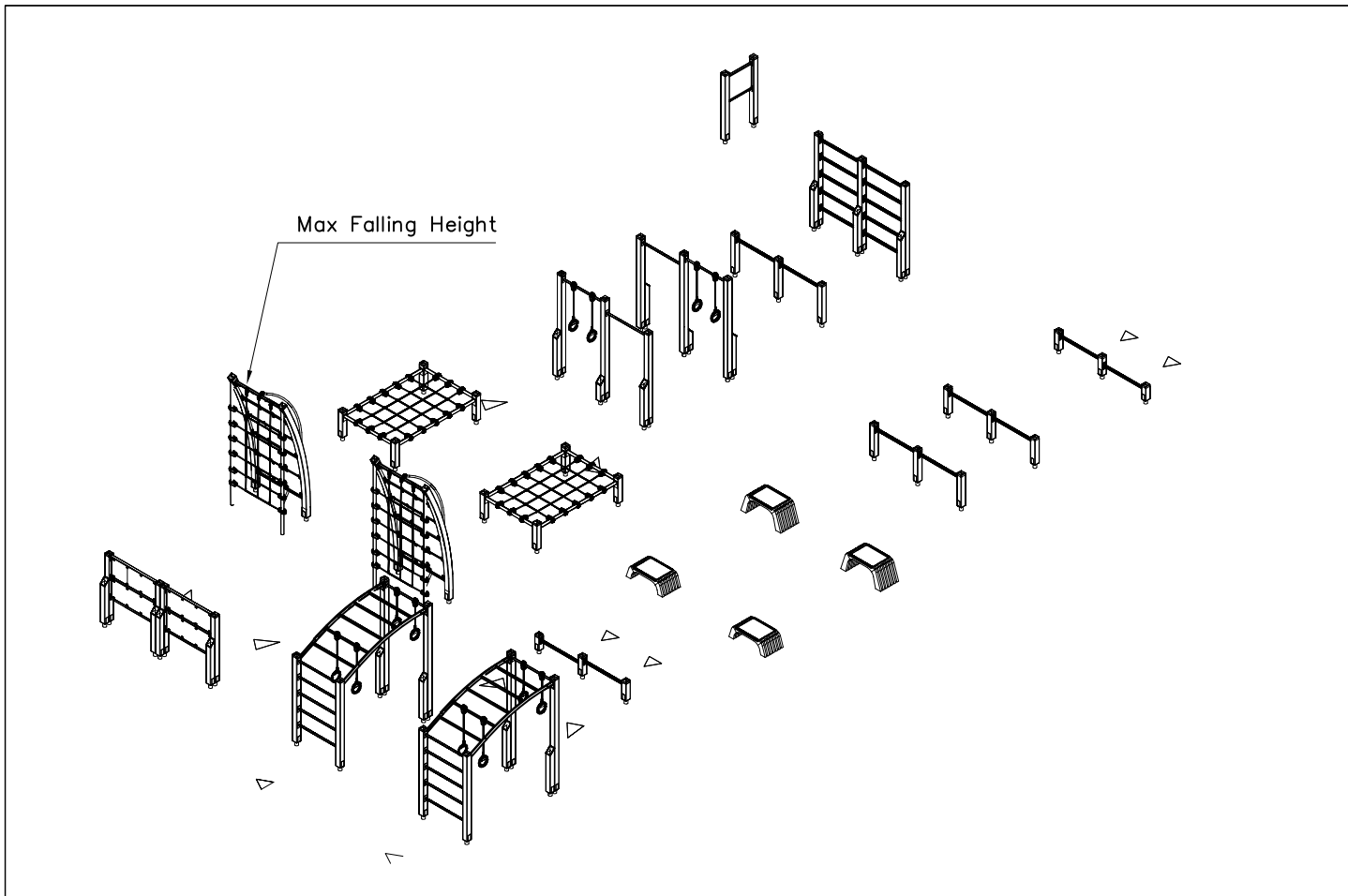


1:125



1:100





WINAM GROUP SPORT

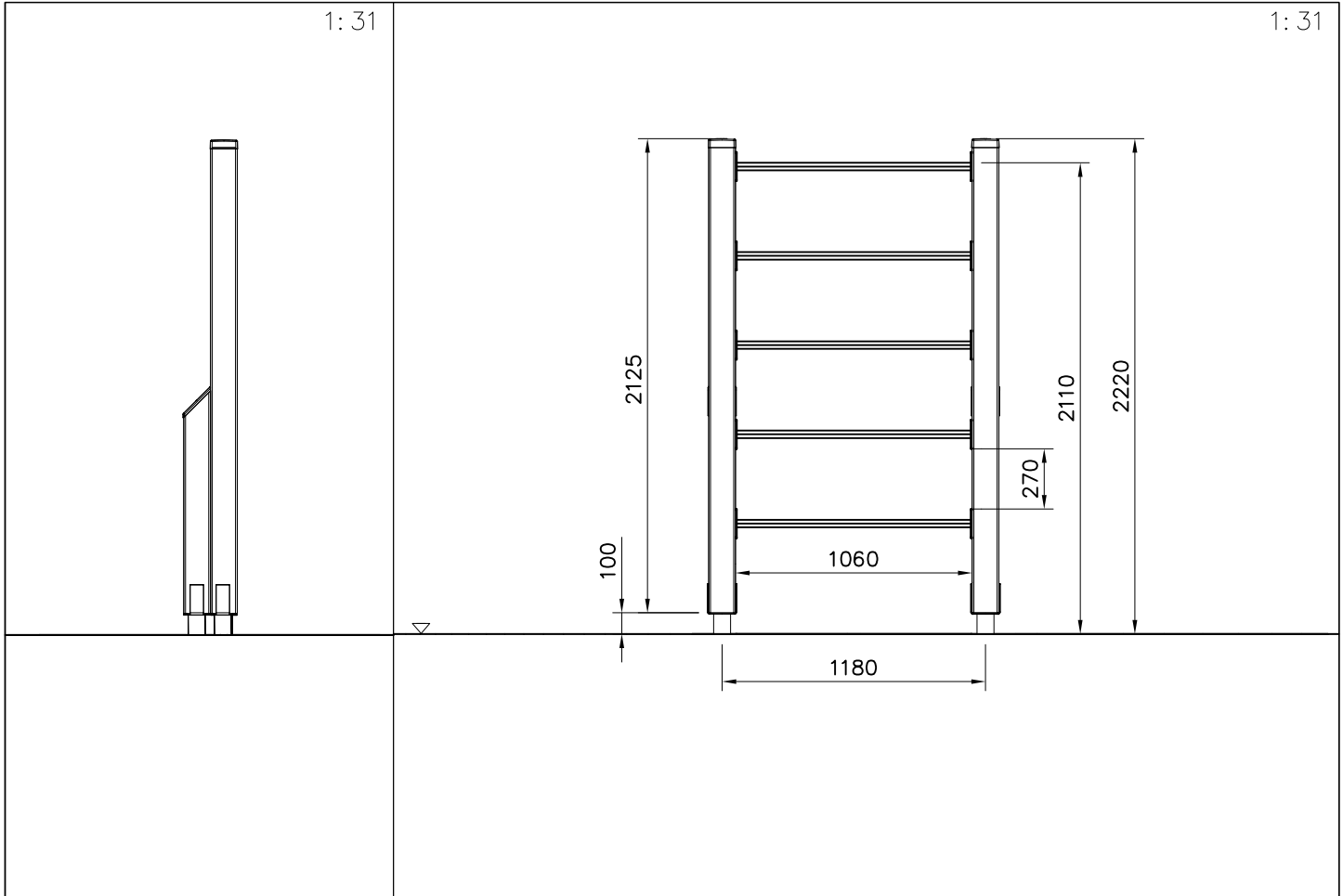
081282M

DATE: 23.8.2017



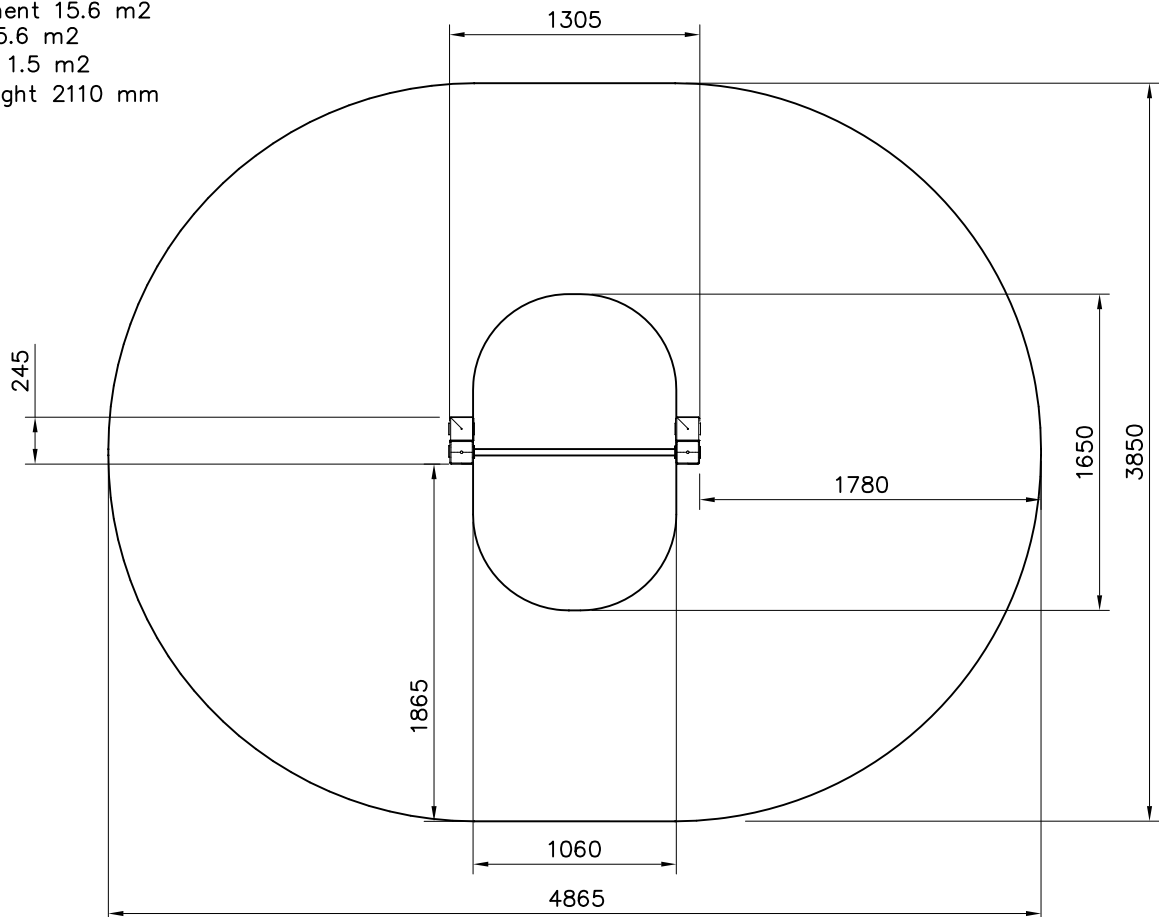
1(2)

	①	706037	PCS	②	705335	PCS
			1			2
					120x120x1000	
	③	980114	PCS	④	905103	PCS
			4			6
			Ø4x20		PT-28/32-H	
	⑤	905104	PCS	⑥	905761	PCS
			16			4
			M10		120x120x700	
	⑦	905830	PCS	⑧	905838	PCS
			2			5
			123x123x40		L=1060	
	⑨	909246	PCS	⑩	906583	PCS
			6			2
			M12x140		126x181x14x3	
	⑪	980104	PCS	⑫	980123	PCS
		2			56	
		Ø5x90		Ø7x60		
⑬	980100	PCS	⑭	980154	PCS	
		2			6	
		Ø5x60		Ø24/13		
⑮	705388	PCS	⑯	909256	PCS	
		2			56	
		120x120x2090		Ø16/8.4		



Area of Movement 15.6 m²
 Impact Area 15.6 m²
 Training Space 1.5 m²
 Max Falling Height 2110 mm

1:39



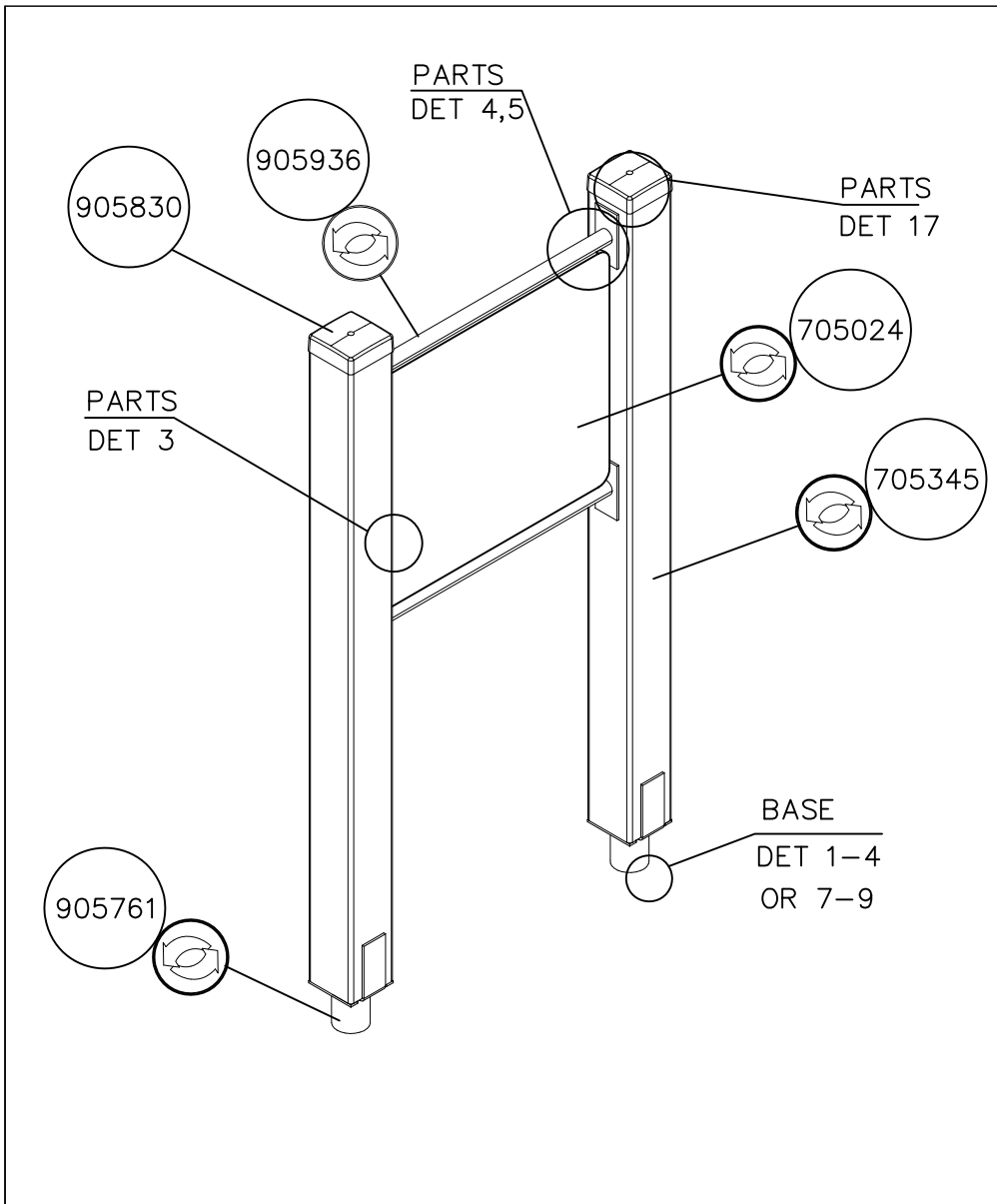
WINAM GROUP SPORT

081290M

DATE: 8.10.2014

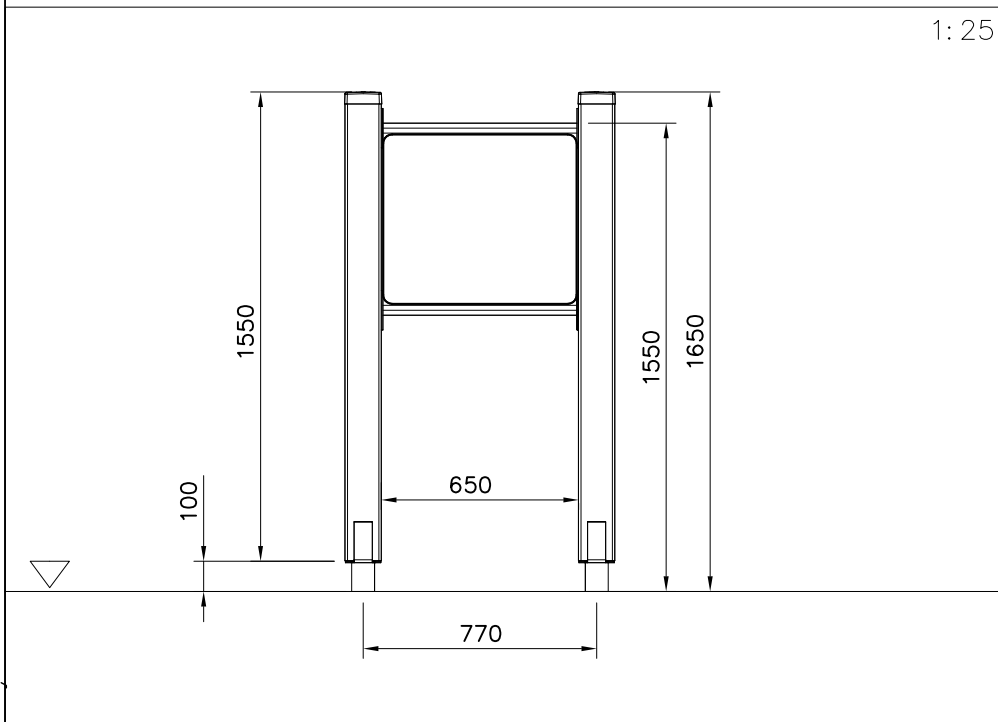


1(1)



① 705024	PCS	② 705345	PCS
	1		2
15x640x560		120x120x1520	
③ 909633	PCS	④ 905104	PCS
	8		8
M8		M10	
⑤ 905761	PCS	⑥ 905830	PCS
	2		2
120x120x700		123x123x40	
⑦ 905936	PCS	⑧ 909256	PCS
	2		28
L=652		Ø16/8.4x1.6	
⑨ 909855	PCS	⑩ 980104	PCS
	8		2
M8x35		Ø5x90	
⑪ 980123	PCS		PCS
	20		
Ø7x60			
⑫ 901899	PCS		PCS
Optio	8		
M8x45			
	PCS		PCS

1: 25



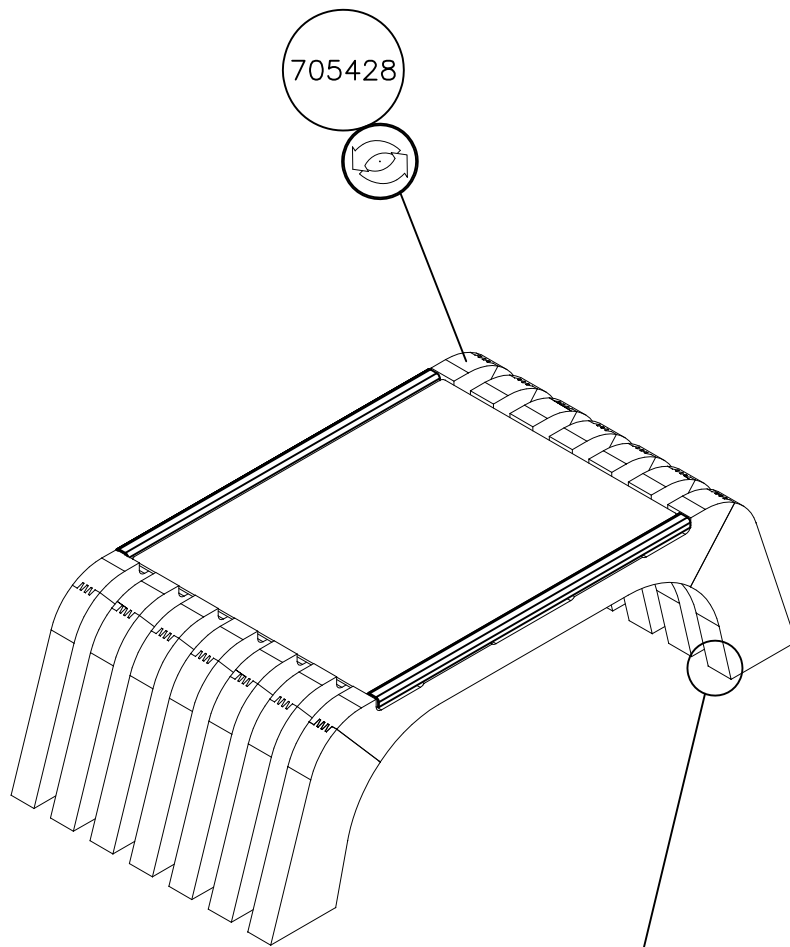
WINAM GROUP SPORT

081200M

DATE: 24.8.2017

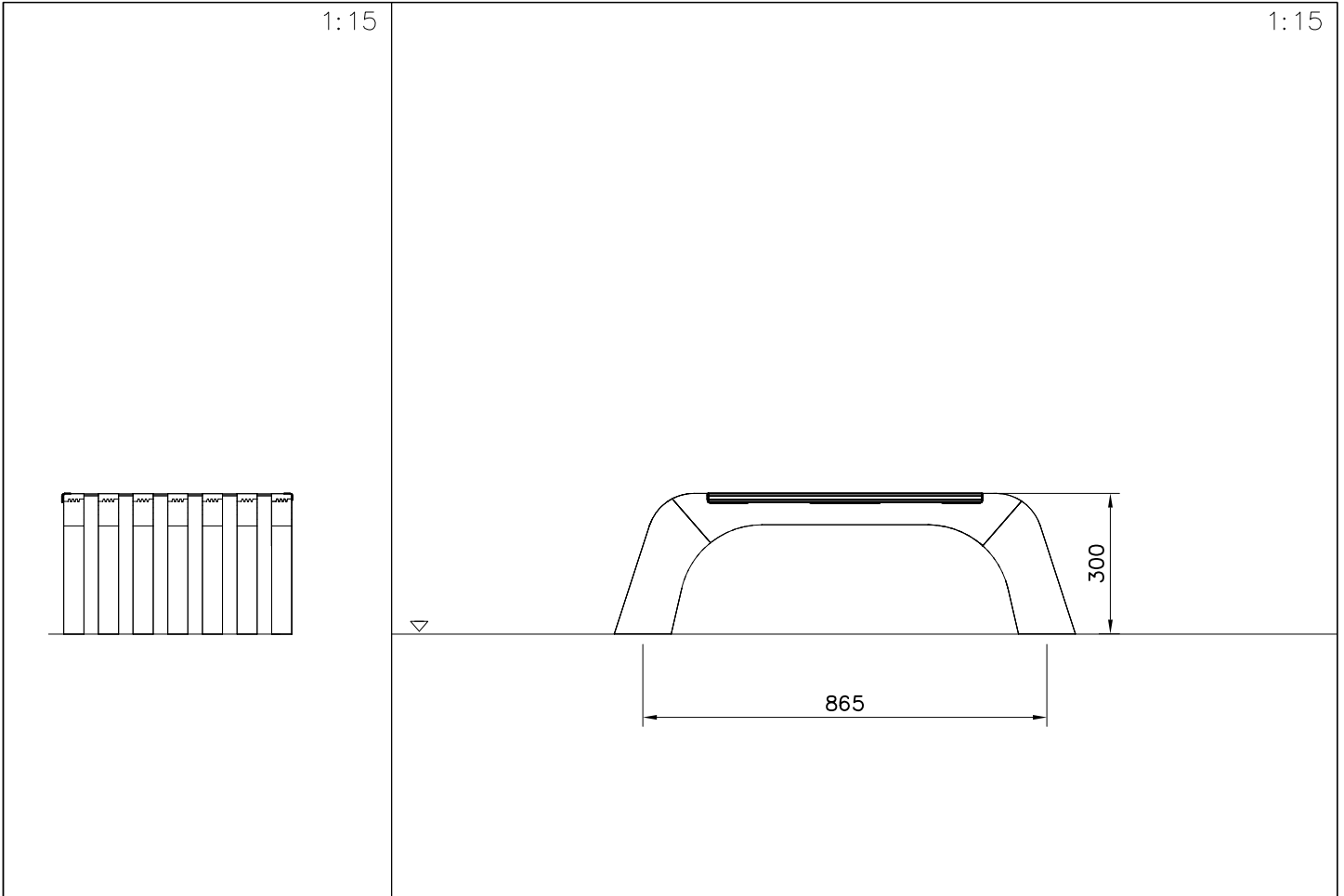


1(2)



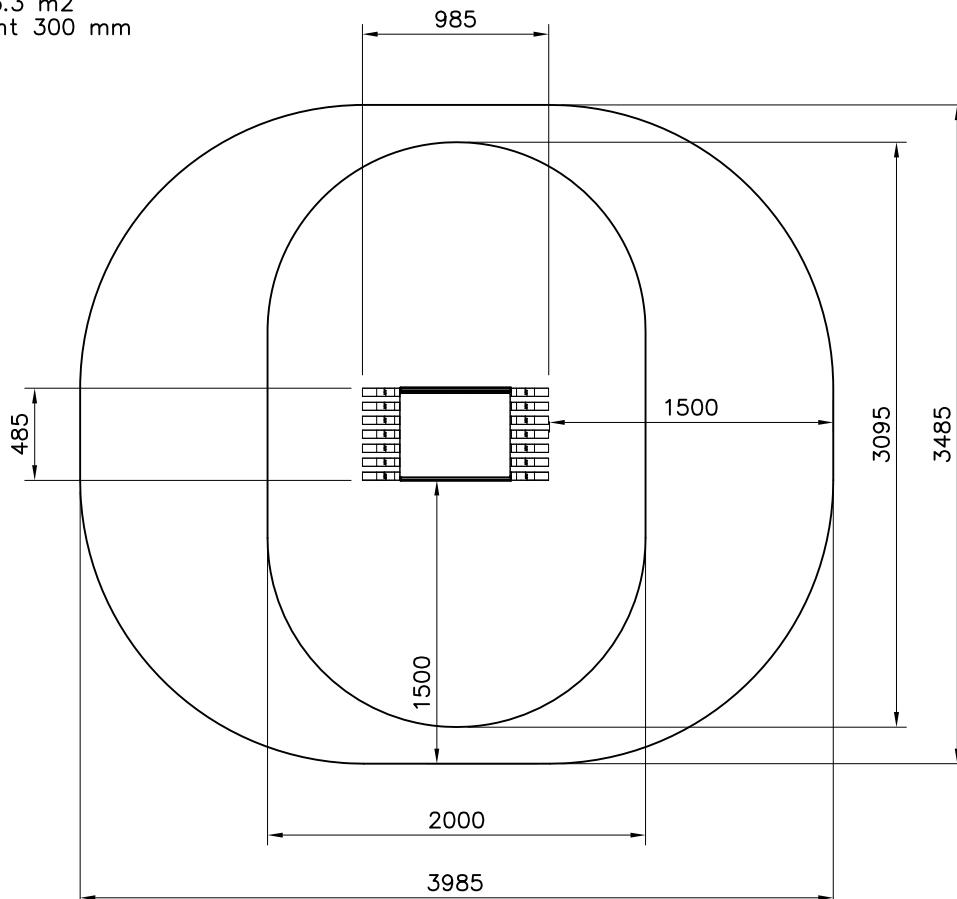
BASE
DET 22-24
OR 25-27

① 706017	PCS	② 980114	PCS
	1		4
		Ø4x20	
③ 705428	PCS	④ 902272	PCS
	1		4
		90x90x450	
⑤ 909519	PCS	⑥ 909639	PCS
	4		8
50x380x380		M10x25	
⑦ 909638	PCS	⑧ 909637	PCS
	16		8
Ø20/10.5		M10	
	PCS		PCS
	PCS		PCS
	PCS		PCS



Area of Movement 12 m²
Training Space 5.3 m²
Max Falling Height 300 mm

1:40



WINAM GROUP

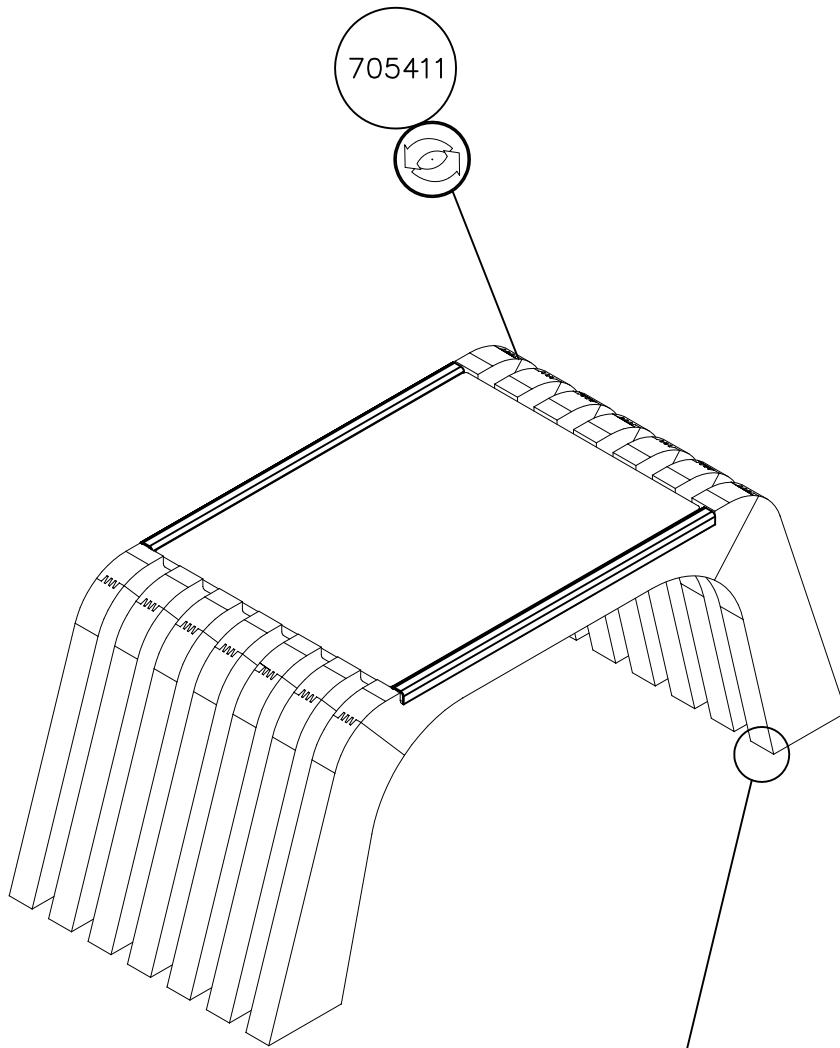
SPORT

081201M

DATE: 24.8.2017

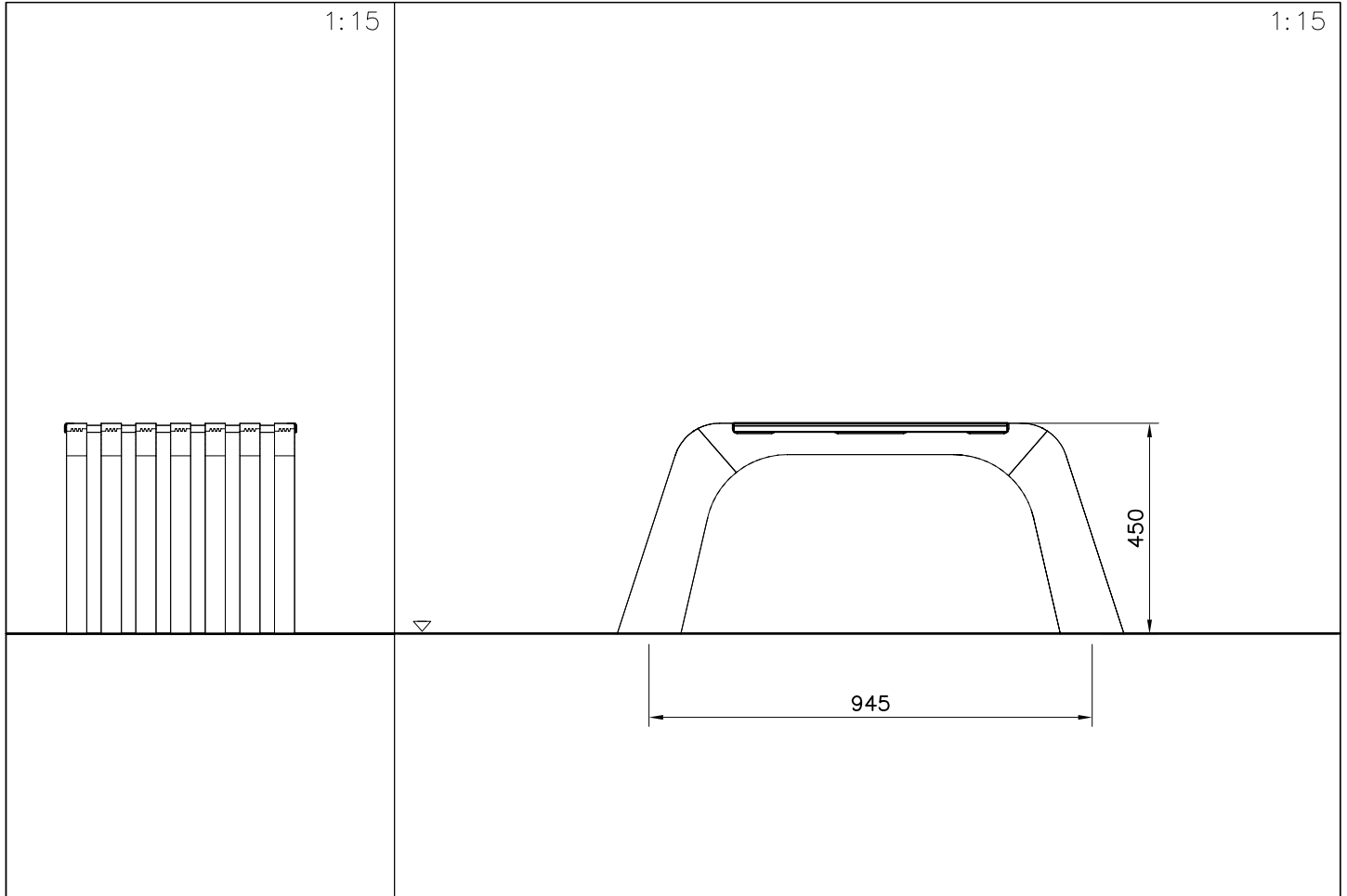


1(2)



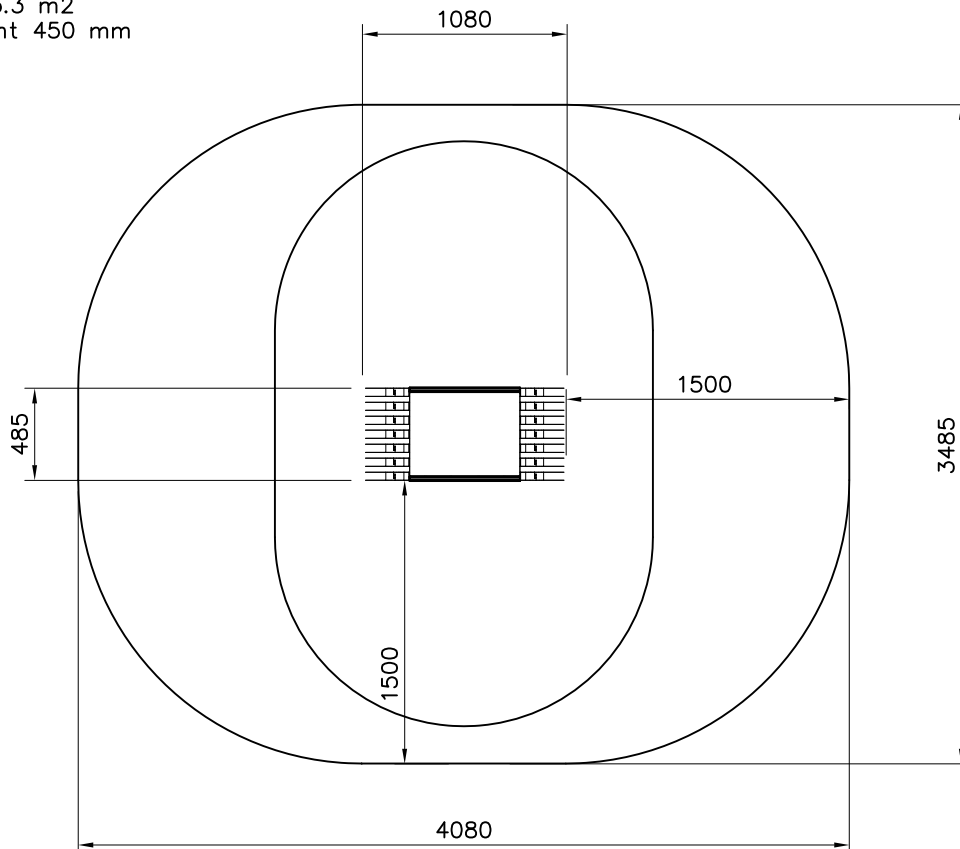
BASE
DET 22-24
OR 25-27

①	706018	PCS	②	980114	PCS
		1			4
				Ø4x20	
③	705411	PCS	④	902272	PCS
		1			4
				90x90x450	
⑤	909519	PCS	⑥	909639	PCS
		4			8
	50x380x380			M10x25	
⑦	909638	PCS	⑧	909637	PCS
		16			8
	Ø20/10.5			M10	
		PCS			PCS
		PCS			PCS
		PCS			PCS



Area of Movement 12.3 m²
Training Space 5.3 m²
Max Falling Height 450 mm

1:40



WINAM GROUP SPORT

081230M

DATE: 12.10.2018



1(3)

Diagram labels:

- PARTS DET 29
- PARTS DET 48
- 905830
- 3
- 705037
- 905800
- PARTS DET 1,16
- 705347
- 905761
- 905838
- BASE DET 1-4 OR 7-9
- PARTS DET 8
- BASE DET 10-12 OR 13-16
- PARTS DET 43
- 906583
- 705335

①	706026	PCS	②	705039	PCS
		1			2
				Ø16x974	
③	705040	PCS	④	705037	PCS
		2			2
	Ø16x764			120x120x2590	
⑤	705335	PCS	⑥	705347	PCS
		2			2
	120x120x1000			120x120x1990	
⑦	902195	PCS	⑧	902232	PCS
		8			4
	150x50x50			M10x55	
⑨	902233	PCS	⑩	706087	PCS
		4			1
	M10x30				
⑪	980100	PCS	⑫	905103	PCS
		2			6
	Ø5x60			PT-28/32-H	
⑬	905104	PCS	⑭	905761	PCS
		24			6
	M10			120x120x700	
⑮	905830	PCS	⑯	905838	PCS
		4			6
	123x123x40			L=1060	

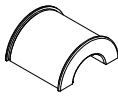
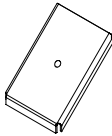
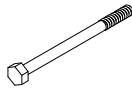




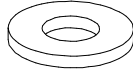

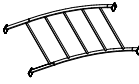


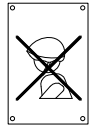
WINAM GROUP SPORT

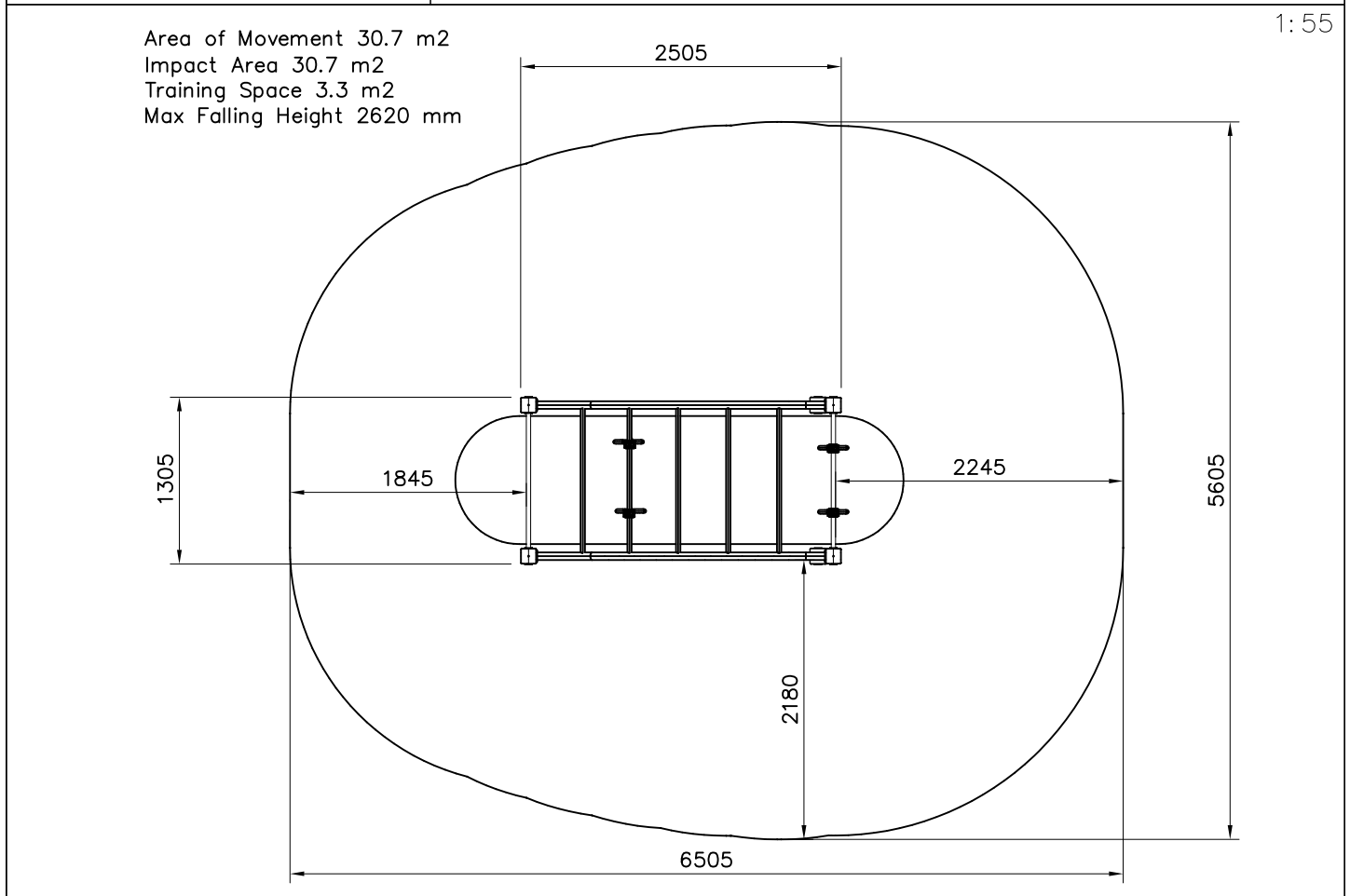
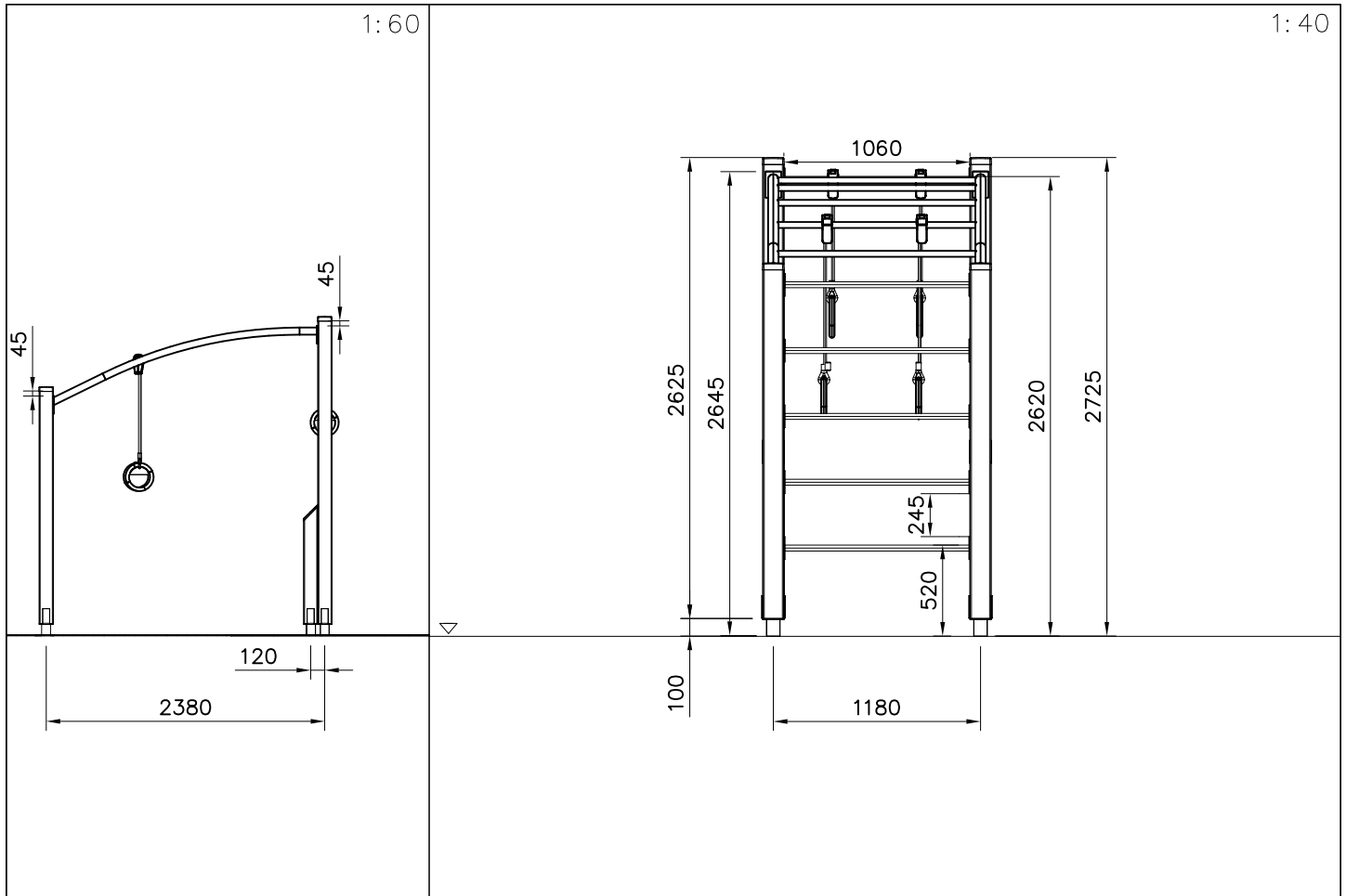
081230M

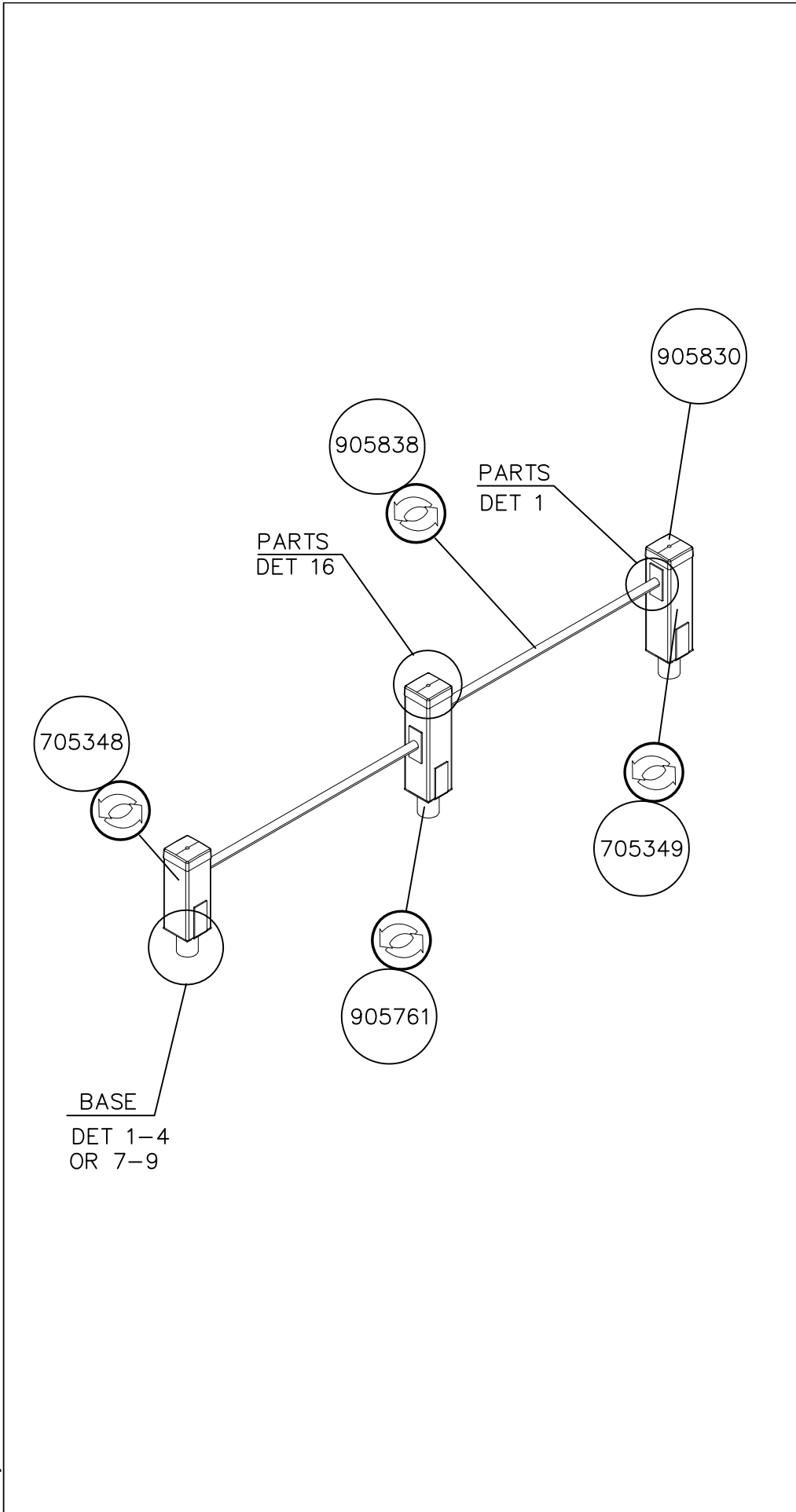
DATE: 12.10.2018



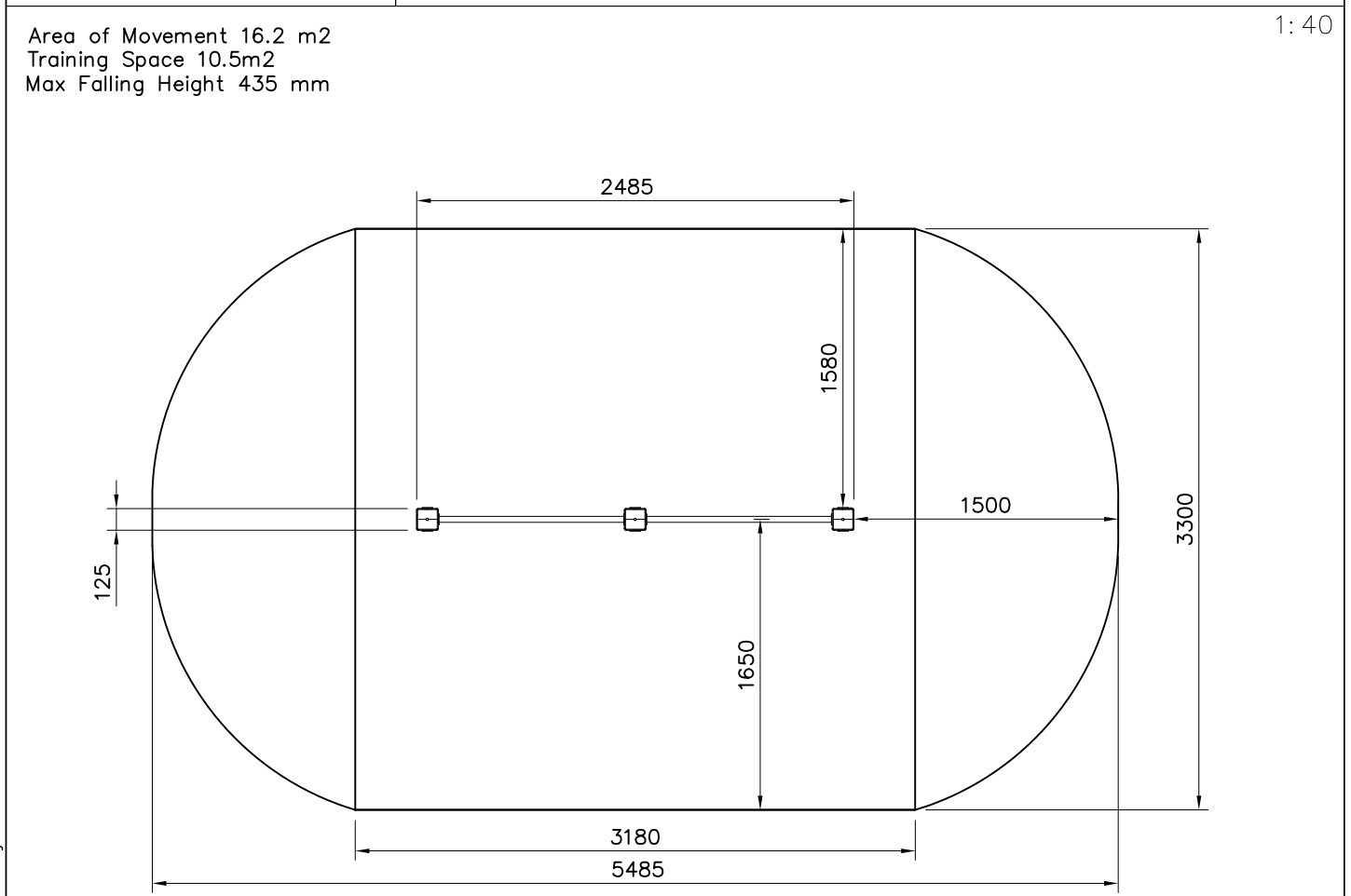
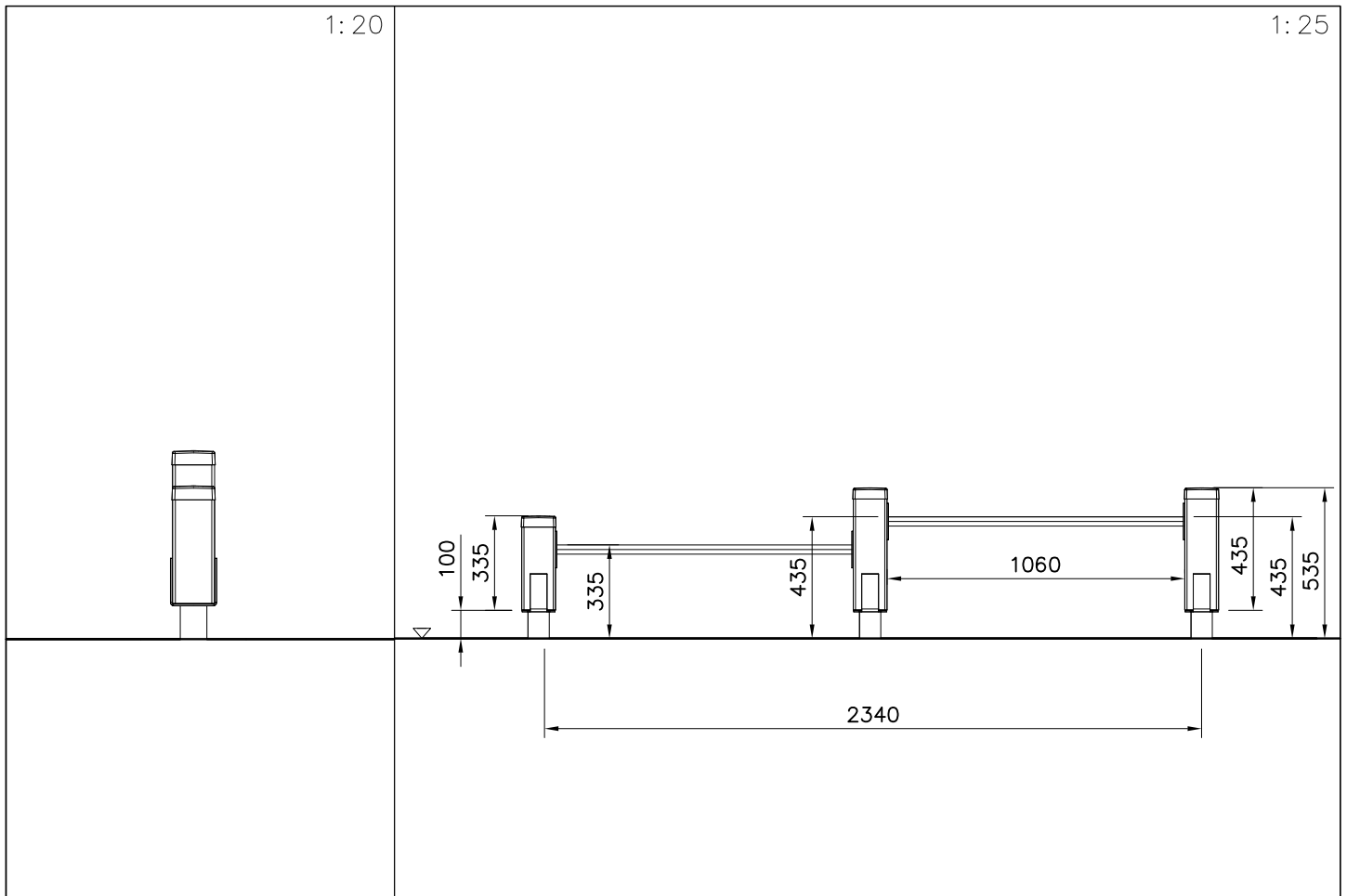
2(3)

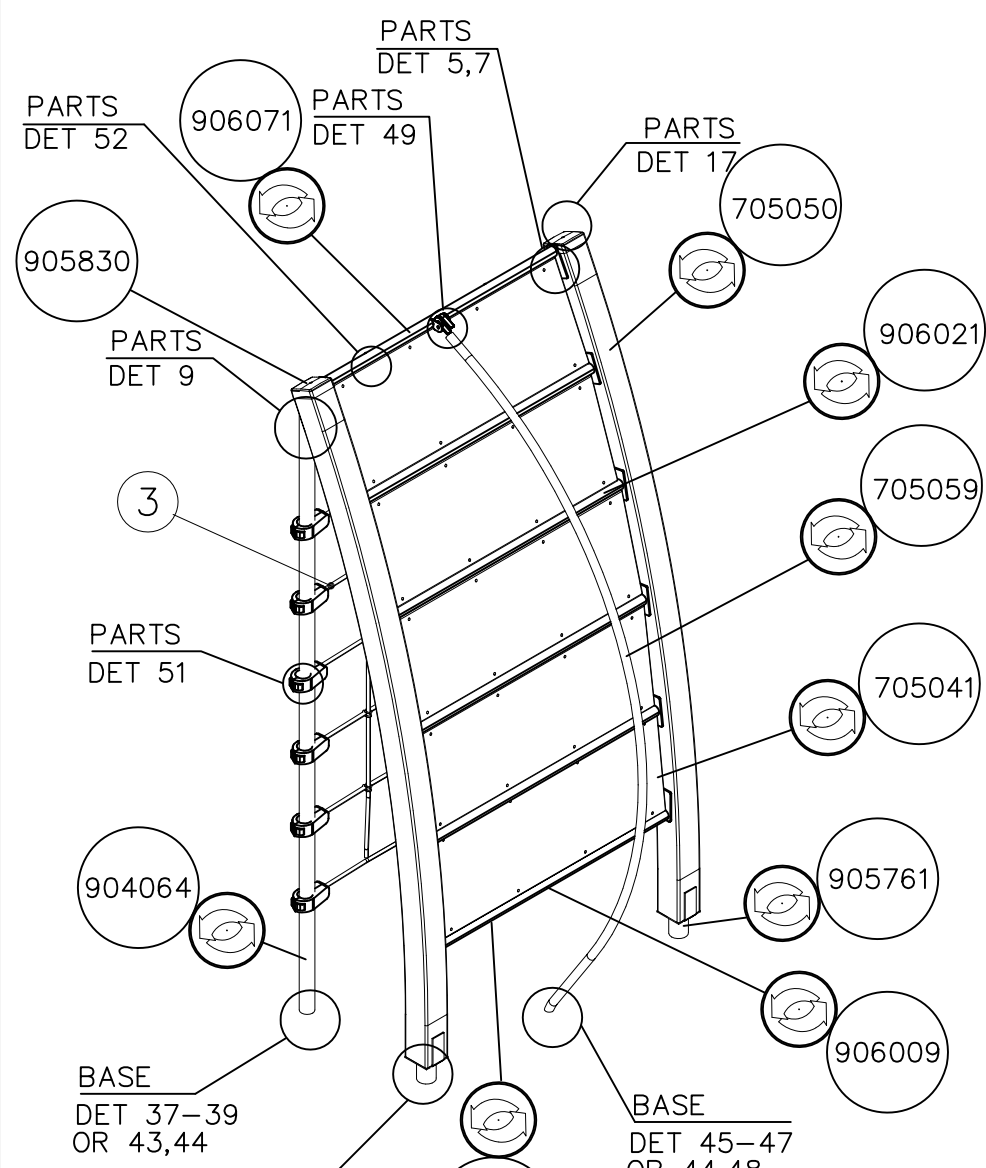
<p>①7 906006 PCS</p>  <p>8</p> <p>Ø64/34,5x59</p>	<p>①8 906583 PCS</p>  <p>2</p> <p>126x181x14x3</p>	<p>①9 909246 PCS</p>  <p>6</p> <p>M12x140</p>	<p>②0 980114 PCS</p>  <p>16</p> <p>Ø4x20</p>	<p>②1 900240 PCS</p>  <p>16</p> <p>Ø8x70</p>	<p>②2 980104 PCS</p>  <p>4</p> <p>Ø5x90</p>
<p>②3 980123 PCS</p>  <p>72</p> <p>Ø7x60</p>	<p>②4 980154 PCS</p>  <p>6</p> <p>Ø24/13</p>	<p>②5 980161 PCS</p>  <p>8</p> <p>M10</p>	<p>②6 905800 PCS</p>  <p>1</p> <p>2260x600x1270</p>	<p>②7 909256 PCS</p>  <p>72</p> <p>Ø16/8.4</p>	<p>②8 706263 PCS</p>  <p>1</p>
					<p>②9 702339 PCS</p>  <p>1</p> <p>118x78</p>



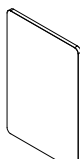
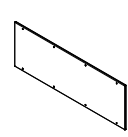
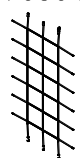




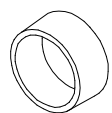
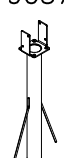
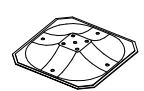

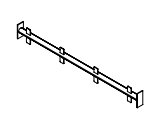
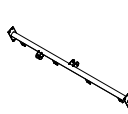
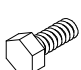
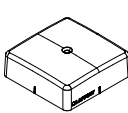

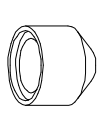

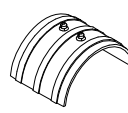


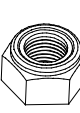
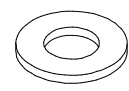
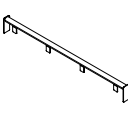



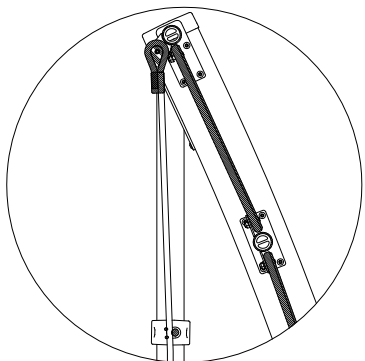
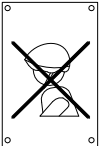
①	706025	PCS	②	705348	PCS
		1			1
				120x120x300	
③	705349	PCS	④	980114	PCS
		2			4
	120x120x400			Ø4x20	
⑤	980123	PCS	⑥	905104	PCS
		28			12
	Ø7x60			M10	
⑦	905761	PCS	⑧	905830	PCS
		3			3
	120x120x700			123x123x40	
⑨	905838	PCS	⑩	980104	PCS
		2			3
	L=1060			Ø5x90	
⑪	909256	PCS			PCS
		28			
	Ø16/8.4				
		PCS			PCS
		PCS			PCS





PARTS DET 5,7
 PARTS DET 52
 906071
 PARTS DET 49
 PARTS DET 17
 705050
 905830
 PARTS DET 9
 3
 PARTS DET 51
 904064
 BASE DET 37-39 OR 43,44
 BASE DET 45-47 OR 44,48
 906009
 BASE DET 1-4 OR 7-9

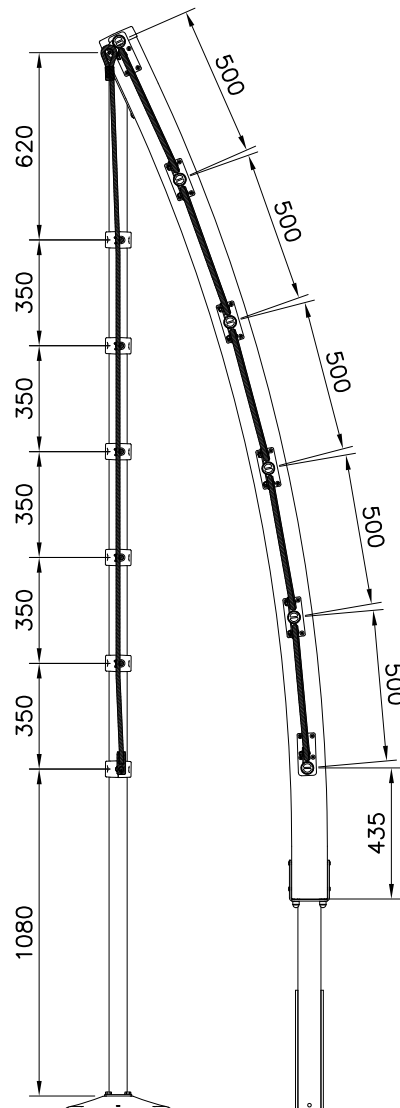
①	706027	PCS	1	②	705041	PCS	5
							
					19x451x1240		
③	705044	PCS	1	④	705050	PCS	2
							
					120x120		
⑤	705059	PCS	1	⑥	980114	PCS	8
							
	WALL CLIMBER DEEP				Ø4x20		
⑦	905083	PCS	8	⑧	905112	PCS	8
							
	Ø32				Ø22		
⑨	905761	PCS	2	⑩	909519	PCS	3
							
	120x120x700				50x380x380		
⑪	904064	PCS	2	⑫	906021	PCS	4
							
	Ø60x3456				Ø42,4x1252		
⑬	906071	PCS	1	⑭	909639	PCS	9
							
	Ø42,4x1252				M10x25		
⑮	905830	PCS	2	⑯	909097	PCS	3
							
	123x123x40				M8x60		
⑰	905104	PCS	8	⑱	980104	PCS	2
							
	M10				Ø5x90		
⑲	902273	PCS	24	⑳	909267	PCS	1
							
					M8x70		
㉑	980123	PCS	64	㉒	980150	PCS	4
							
	Ø7x60				M8		
㉓	980151	PCS	8	㉔	906009	PCS	1
							
	Ø16/8.4				Ø42,4x1252		
㉕	902195	PCS	24				
							
	150x50x50						

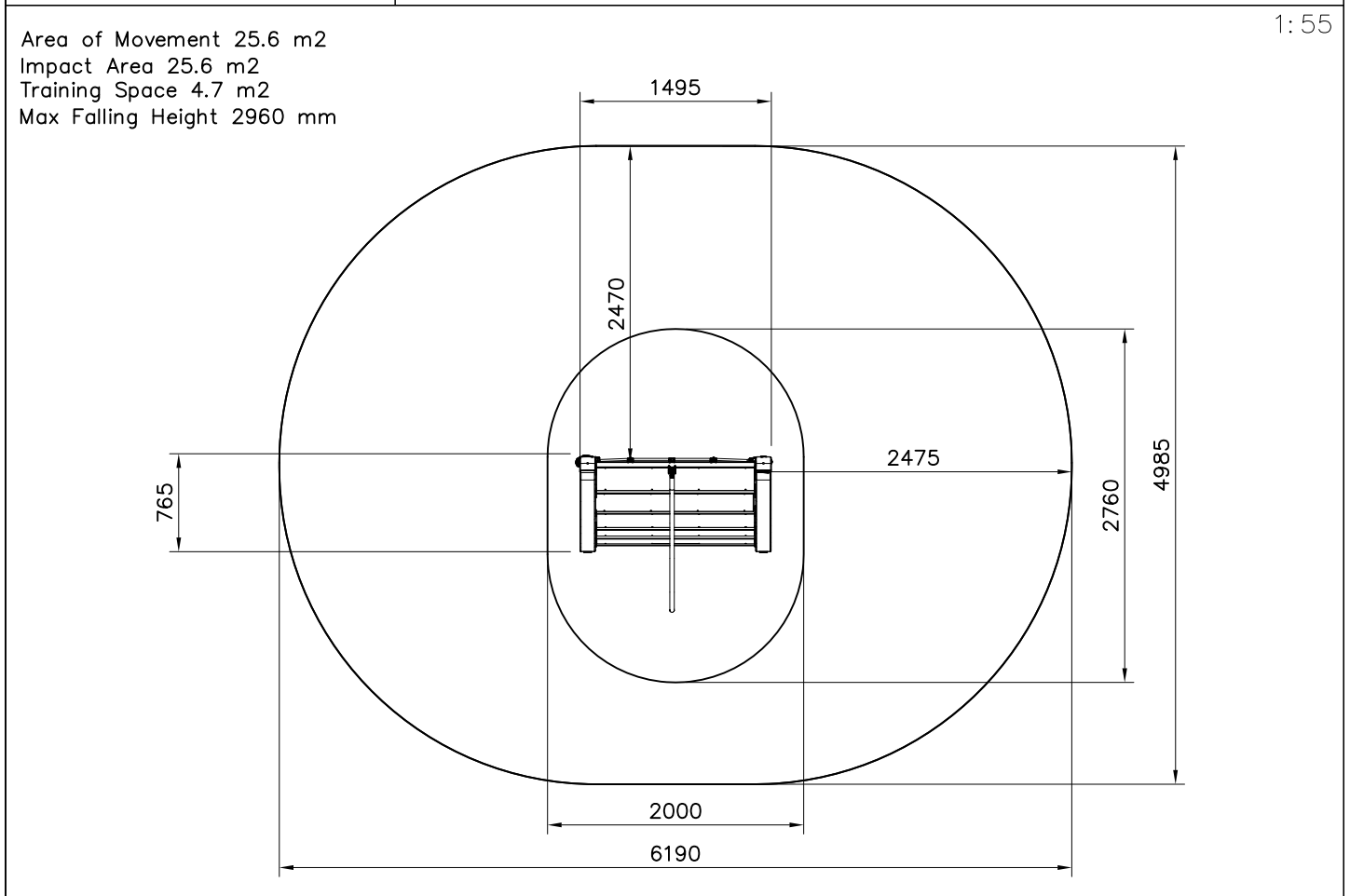
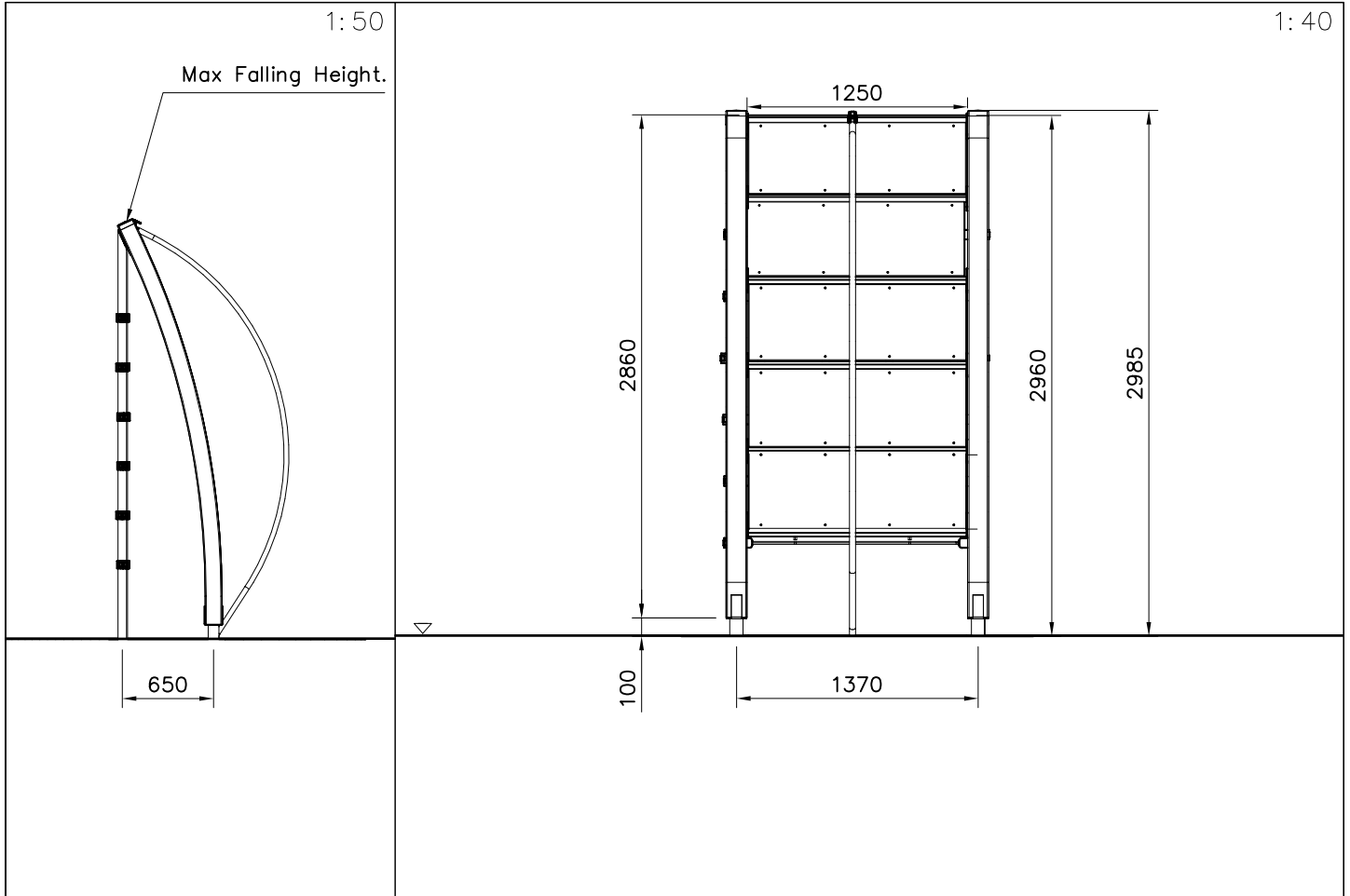
(26) 902232 M10x55 PCS 12	(27) 902233 M10x30 PCS 12	(28) 909256 Ø16/8.4x1.6 PCS 104	(29) 909637 M10 PCS 9	(30) 909633 M8 PCS 40	(31) 909852 M8x30 PCS 40
(32) 909638 Ø20/10.5 PCS 18	(33) 980161 M10 PCS 24	(34) 702339 118x78 PCS 1			
					

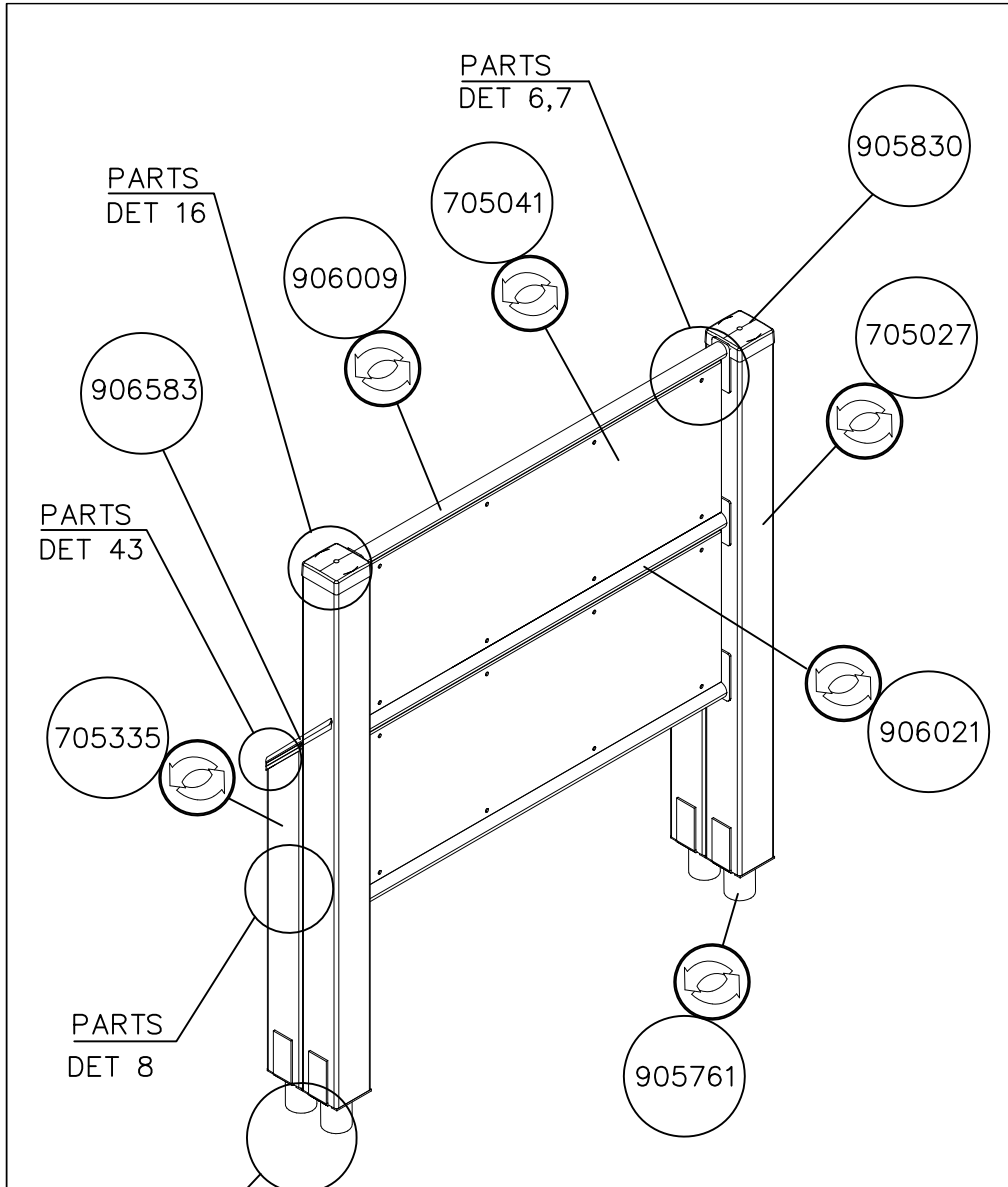
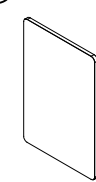
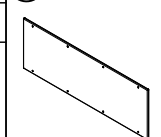



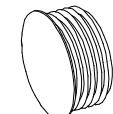
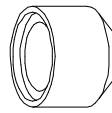
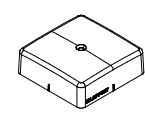
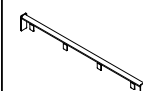
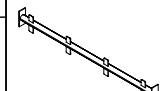

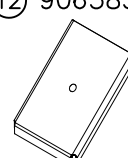
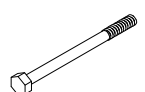
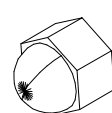

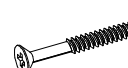





1:25

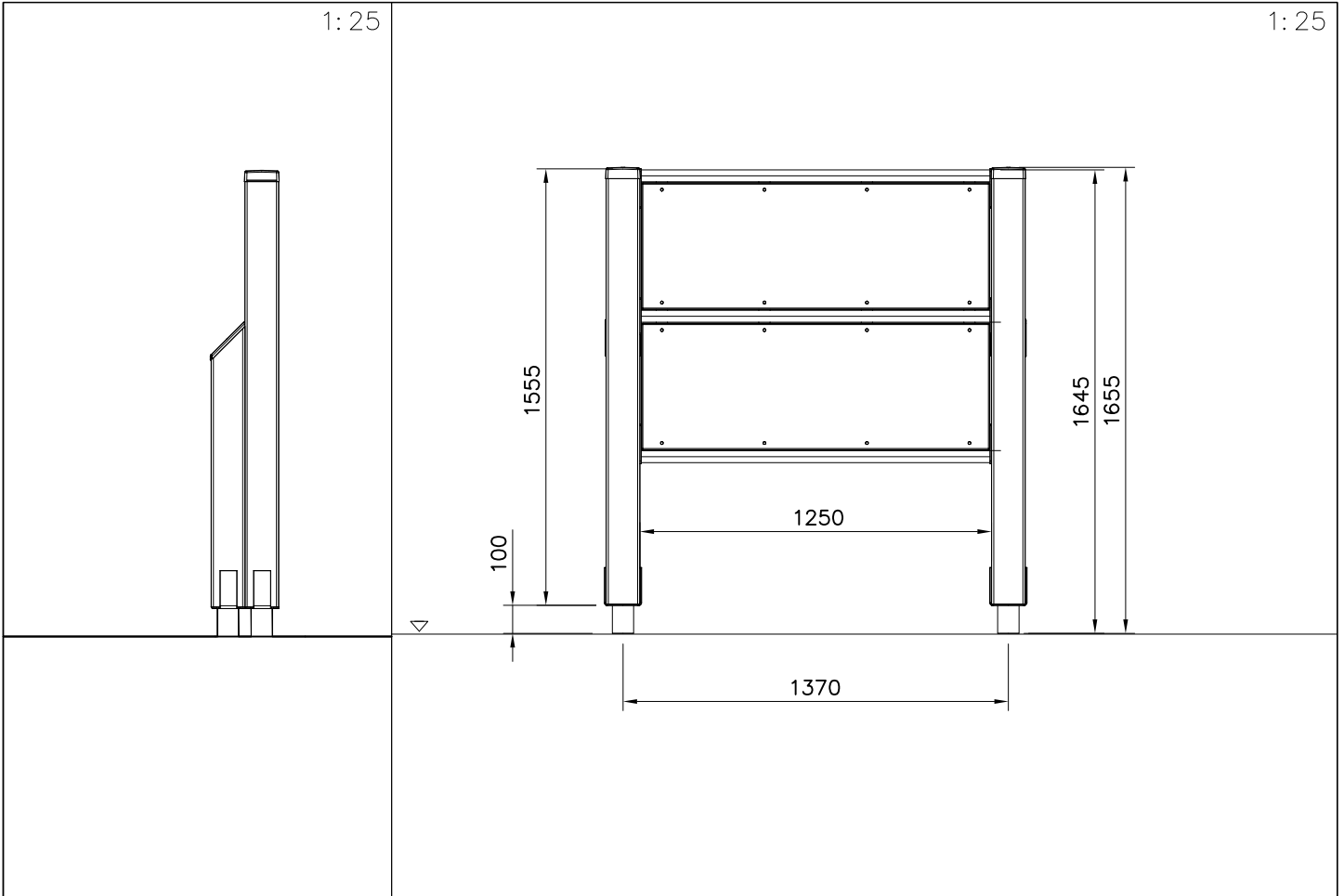
Net
Verkko

Wall
Seinä



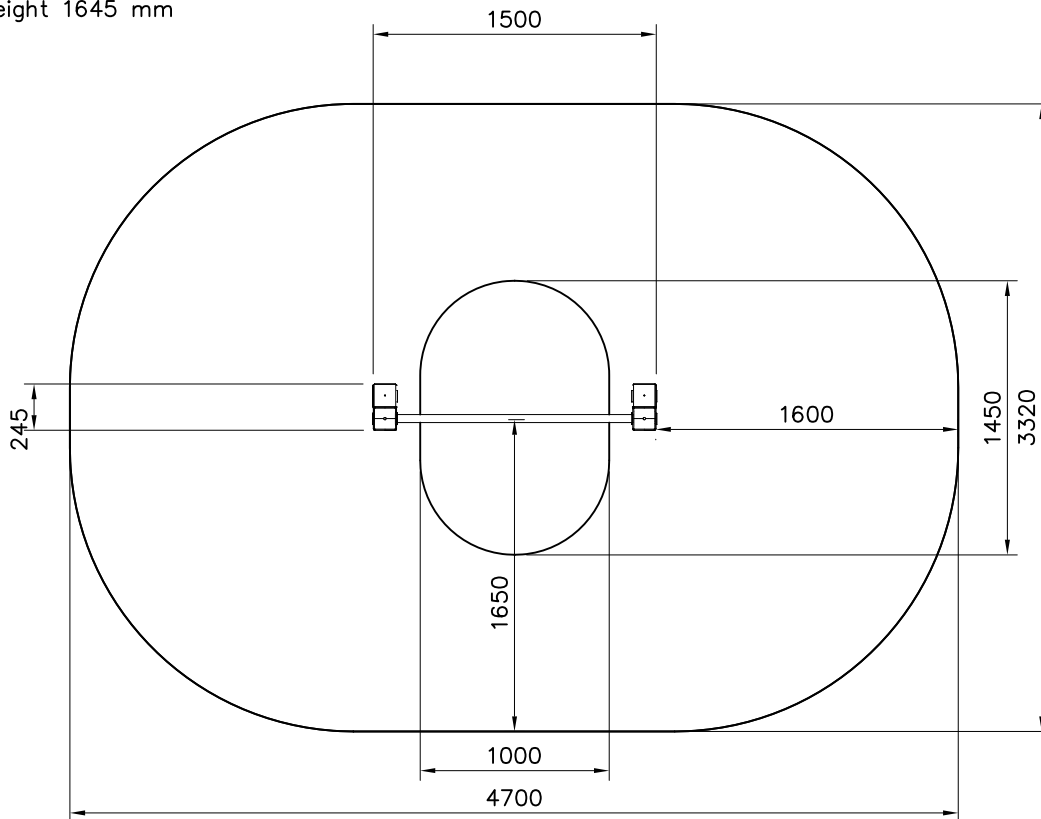


 <p>PARTS DET 16</p> <p>PARTS DET 6,7</p> <p>906009</p> <p>705041</p> <p>905830</p> <p>906583</p> <p>PARTS DET 43</p> <p>705335</p> <p>PARTS DET 8</p> <p>905761</p> <p>BASE DET 10-12 OR 13-16</p>	<p>① 706028</p>  <p>PCS 1</p>	<p>② 705041</p>  <p>PCS 2</p> <p>19x451x1240</p>		
	<p>③ 705027</p>  <p>PCS 2</p> <p>120x120x1520</p>	<p>④ 705335</p>  <p>PCS 2</p> <p>120x120x1000</p>		
	<p>⑤ 980114</p>  <p>PCS 4</p> <p>Ø4x20</p>	<p>⑥ 905103</p>  <p>PCS 6</p> <p>PT-28/32-H</p>		
	<p>⑦ 905104</p>  <p>PCS 16</p> <p>M10</p>	<p>⑧ 905830</p>  <p>PCS 2</p> <p>123x123x40</p>		
	<p>⑨ 906009</p>  <p>PCS 2</p> <p>Ø42,4x1252</p>	<p>⑩ 906021</p>  <p>PCS 1</p> <p>Ø42,4x1252</p>		
	<p>⑪ 905761</p>  <p>PCS 4</p> <p>120x120x700</p>	<p>⑫ 906583</p>  <p>PCS 2</p> <p>126x181x14x3</p>	<p>⑬ 909246</p>  <p>PCS 6</p> <p>M12x140</p>	
	<p>⑭ 909633</p>  <p>PCS 16</p> <p>M8</p>	<p>⑮ 909852</p>  <p>PCS 16</p> <p>M8x30</p>	<p>⑯ 980100</p>  <p>PCS 2</p> <p>Ø5x60</p>	<p>⑰ 980104</p>  <p>PCS 2</p> <p>Ø5x90</p>
	<p>⑱ 980123</p>  <p>PCS 40</p> <p>Ø7x60</p>	<p>⑲ 980152</p>  <p>PCS 16</p> <p>Ø24/8.4x2</p>	<p>⑳ 980154</p>  <p>PCS 6</p> <p>Ø24/13</p>	<p>㉑ 909256</p>  <p>PCS 40</p> <p>Ø16/8.4</p>



Area of Movement 13.7 m²
Impact Area 13.7 m²
Training Space 1.2 m²
Max Falling Height 1645 mm

1:40



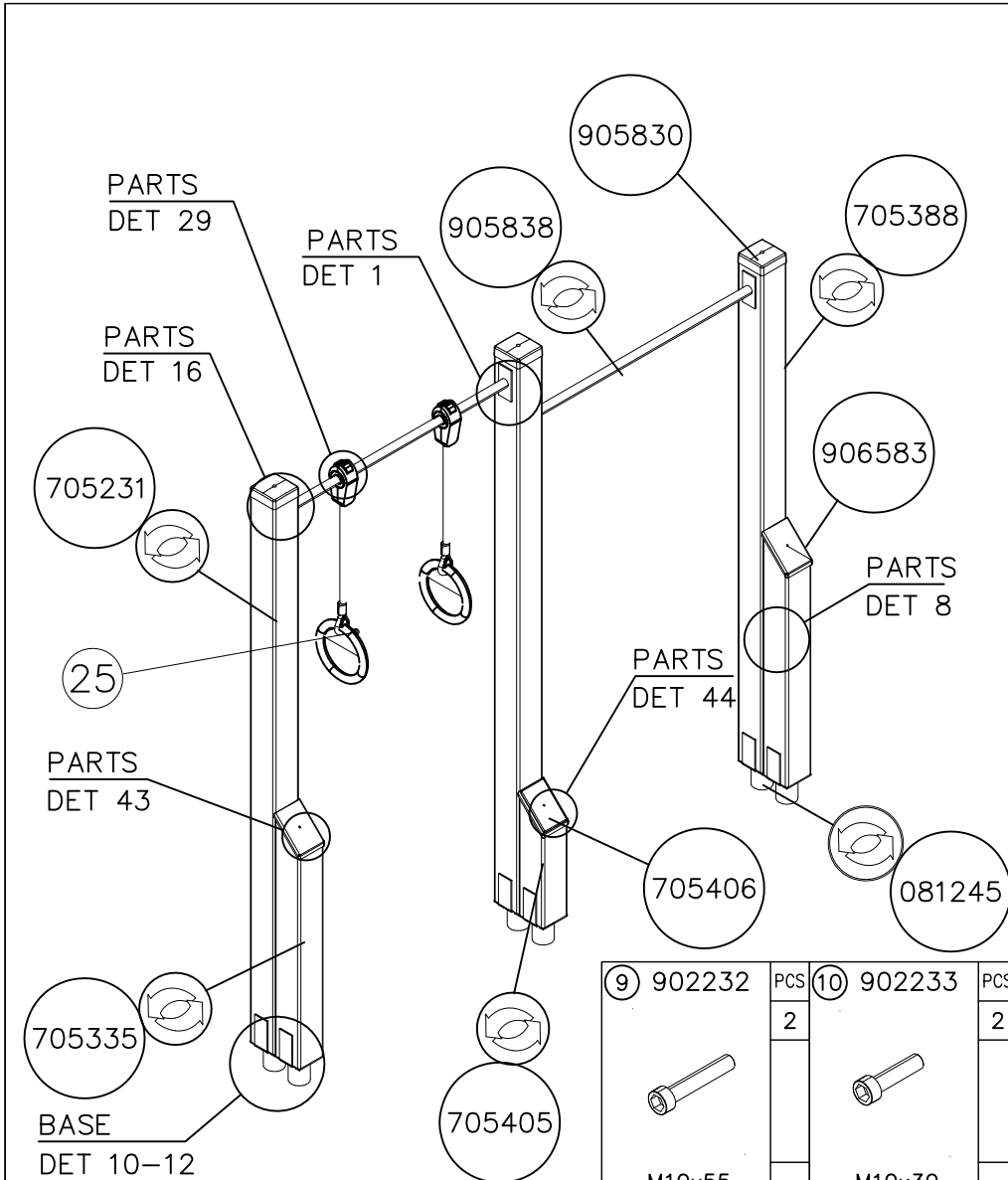
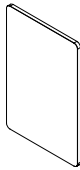





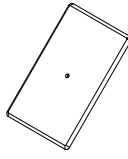

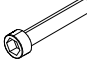
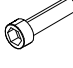

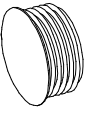
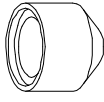

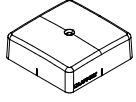
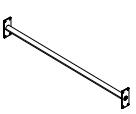
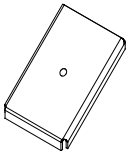


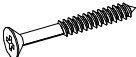
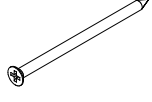




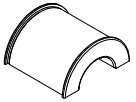

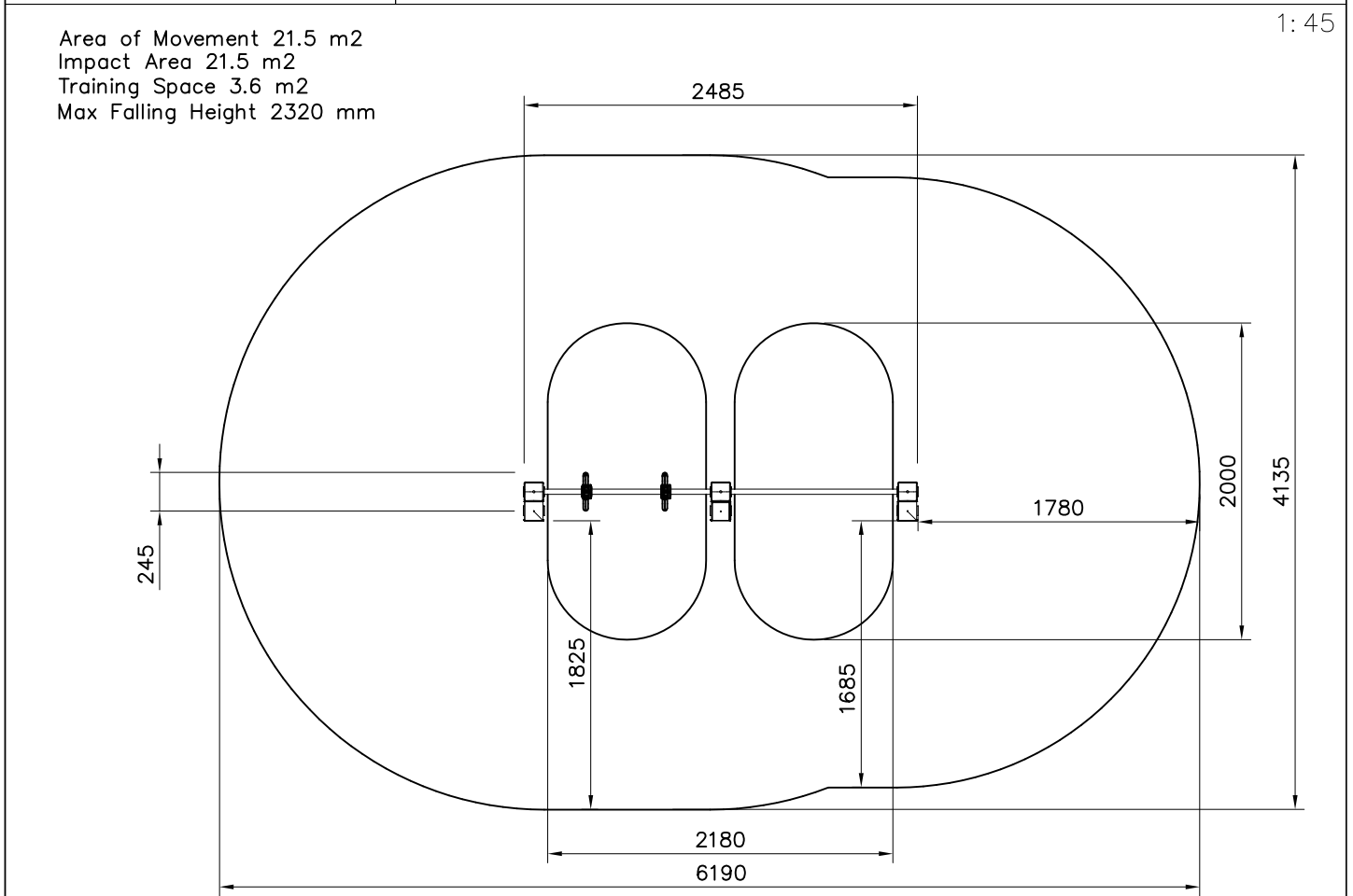
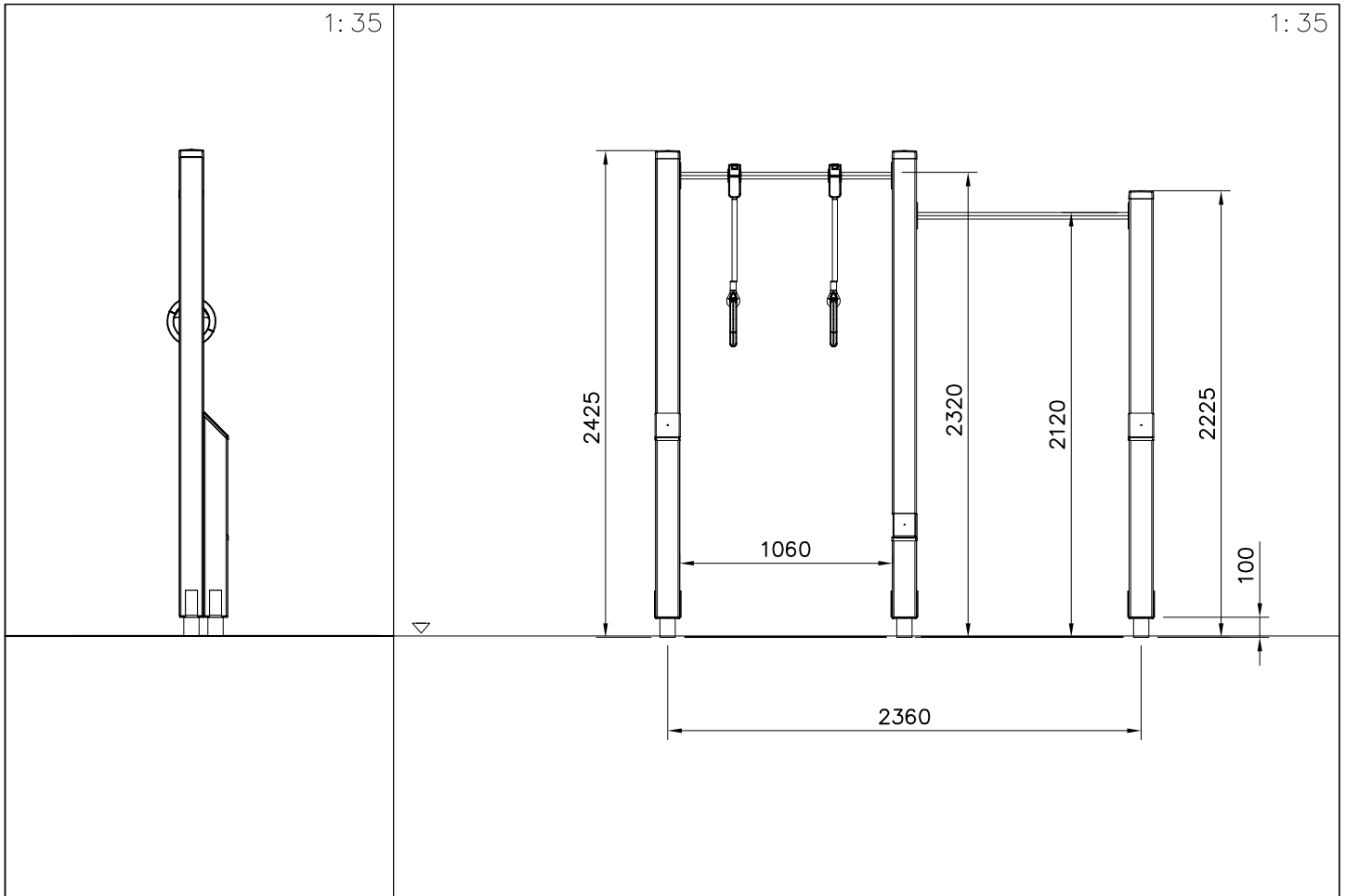
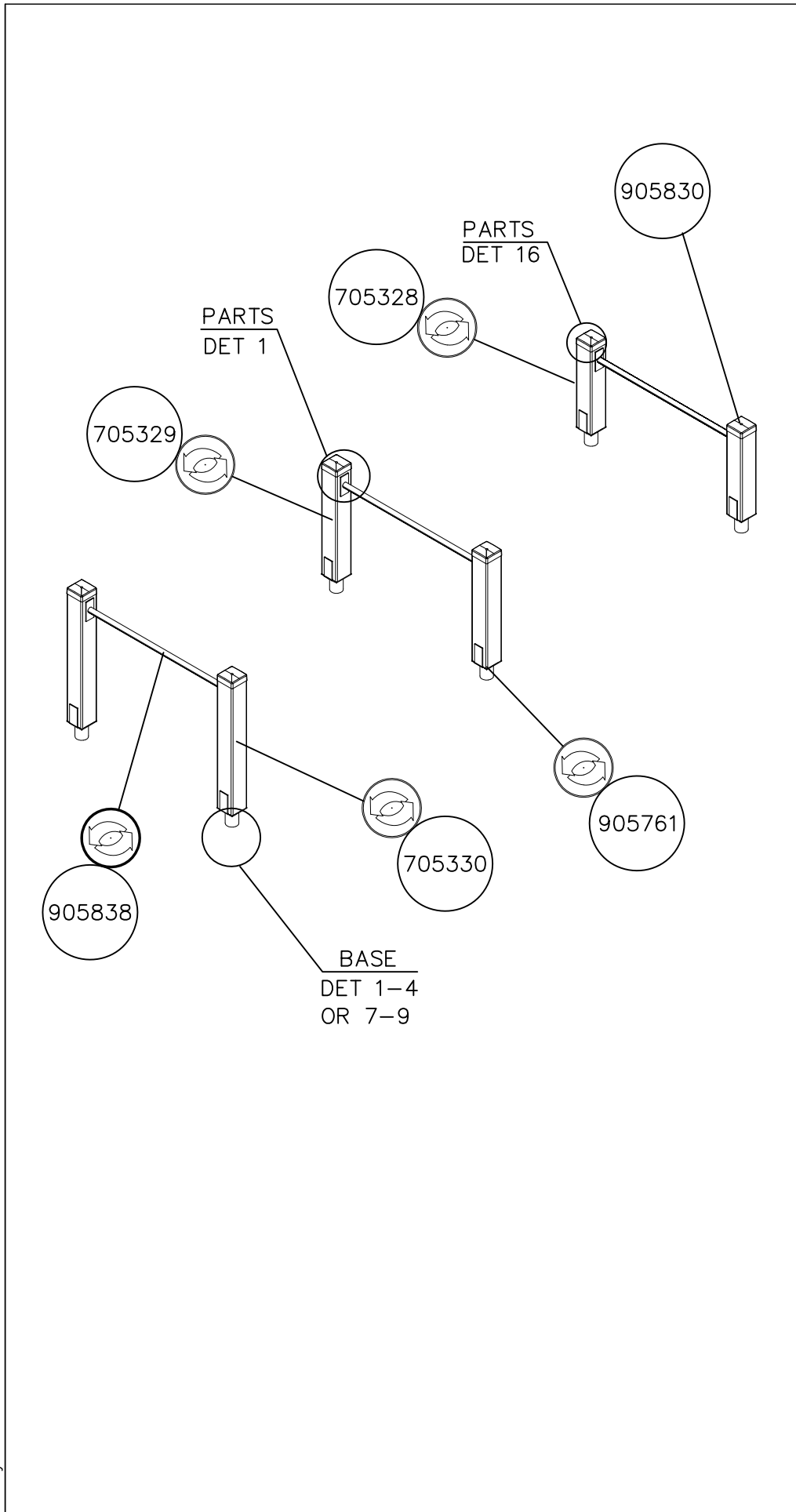
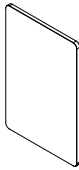

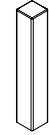
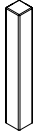


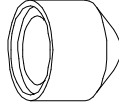

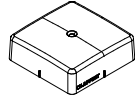


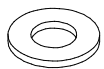


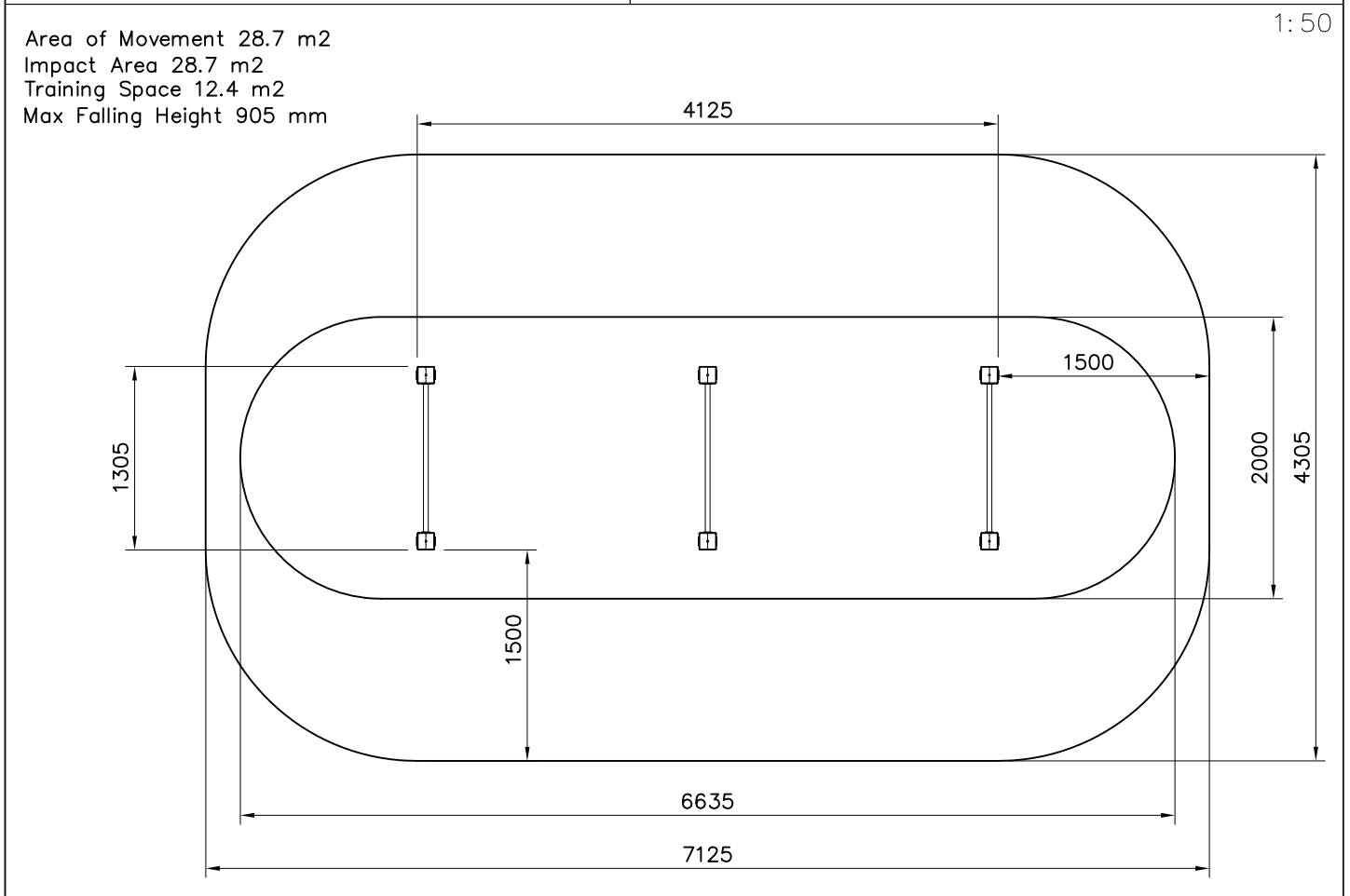
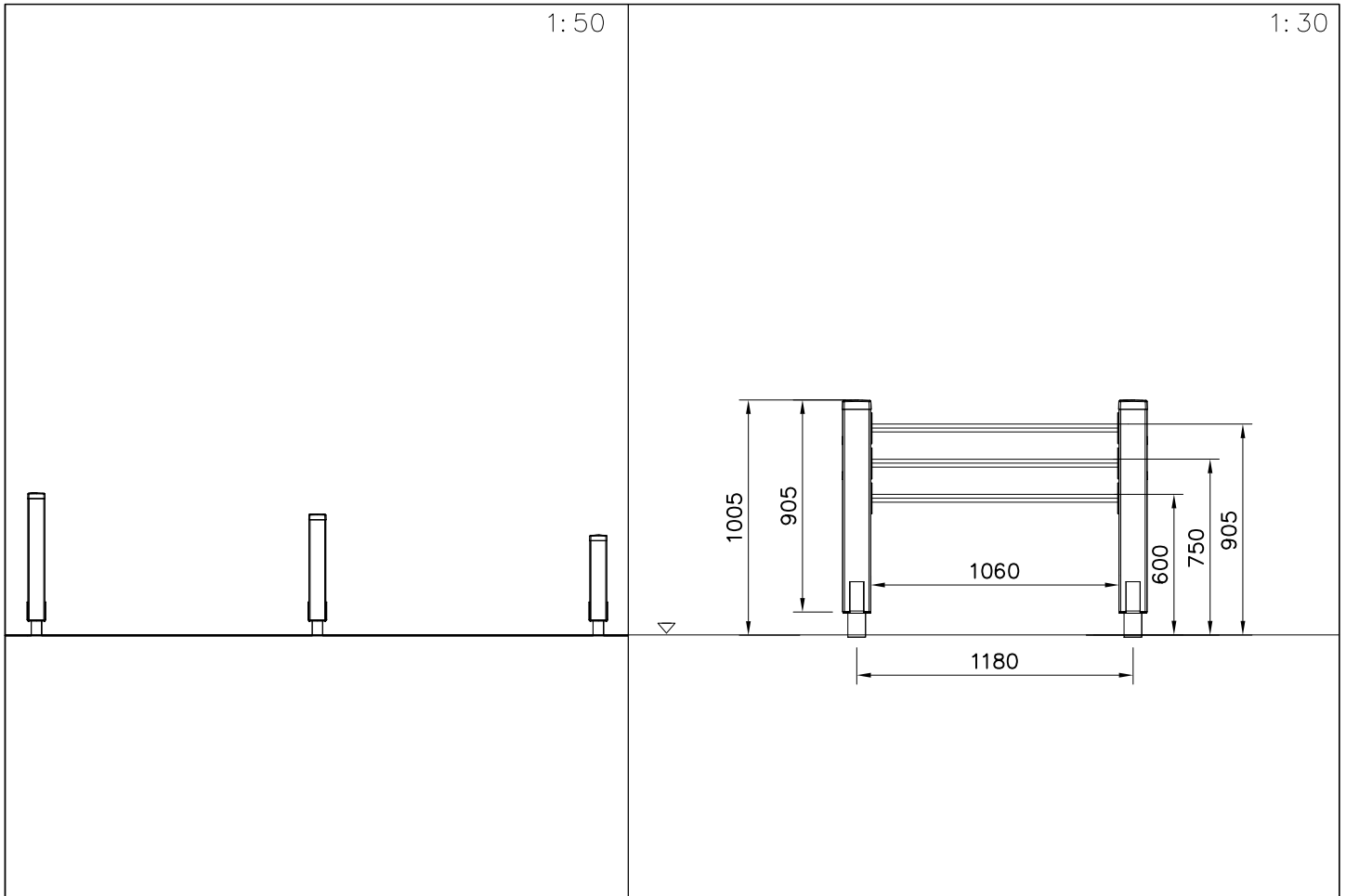
Diagram labels: PARTS DET 29, PARTS DET 1, PARTS DET 16, PARTS DET 43, BASE DET 10-12 OR 13-16, 705231, 25, 905830, 905838, 705388, 906583, PARTS DET 8, PARTS DET 44, 705406, 081245, 705335, 705405.

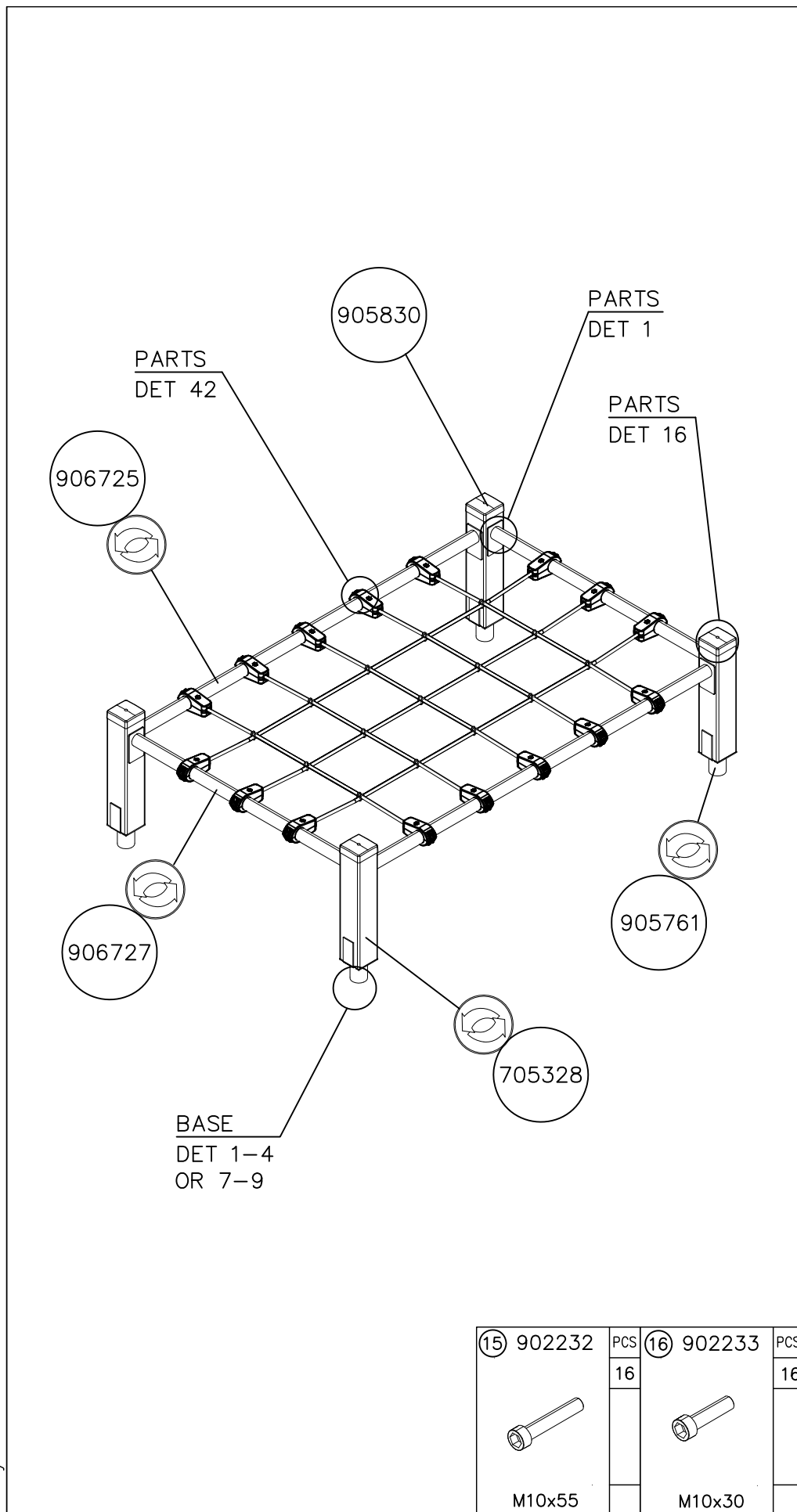


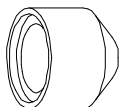
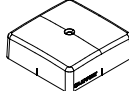


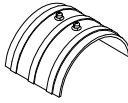



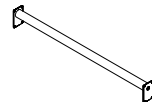
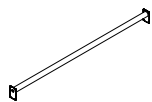


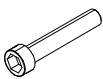
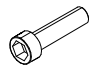
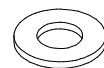
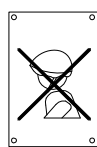
①	706030	PCS	1	②	705231	PCS	1
							
					120x120x2290		
③	705335	PCS	2	④	705388	PCS	1
							
	120x120x1000				120x120x2090		
⑤	705402	PCS	1	⑥	705405	PCS	1
							
	120x120x2290				120x120x500		
⑦	705406	PCS	1	⑧	902195	PCS	4
							
	126x181x18				150x50x50		
⑨	902232	PCS	2	⑩	902233	PCS	2
							
	M10x55				M10x30		
⑪	706088	PCS	1	⑫	905103	PCS	7
							
					PT-28/32-H		
⑬	905104	PCS	24	⑭	905761	PCS	6
							
	M10				120x120x700		
⑮	905830	PCS	3	⑯	905838	PCS	2
							
	123x123x40				L=1060		
⑰	906583	PCS	2	⑱	909246	PCS	7
							
	126x181x14x3				M12x140		
⑲	980114	PCS	8	⑳	980100	PCS	3
							
	Ø4x20				Ø5x60		
㉑	980104	PCS	3	㉒	980123	PCS	40
							
	Ø5x90				Ø7x60		
㉓	980154	PCS	7	㉔	980161	PCS	4
							
	Ø24/13				M10		
㉕	705040	PCS	2	㉖	906006	PCS	4
							
	Ø16x764				Ø64/34,5x59		
㉗	909256	PCS	40				
							
	Ø16/8.4						





①	706031	PCS	②	705328	PCS
		1			2
				120x120x570	
③	705329	PCS	④	705330	PCS
		2			2
	120x120x720			120x120x870	
⑤	980114	PCS	⑥	905838	PCS
		4			3
	Ø4x20			L=1060	
⑦	905104	PCS	⑧	905761	PCS
		24			6
	M10			120x120x700	
⑨	905830	PCS	⑩	980104	PCS
		6			6
	123x123x40			Ø5x90	
⑪	980123	PCS	⑫	909256	PCS
		48			48
	Ø7x60			Ø16/8.4	
		PCS			PCS
		PCS			PCS



	①	706036	PCS	②	980114	PCS
			1			8
						
					Ø4x20	
	③	905104	PCS	④	905830	PCS
			16			4
						
		M10			123x123x40	
	⑤	980123	PCS	⑥	905761	PCS
			48			4
						
		Ø7x60			120x120x700	
	⑦	902273	PCS	⑧	705328	PCS
			32			4
						
				120x120x570		
⑨	705537	PCS	⑩	902195	PCS	
		1			32	
						
				150x50x50		
⑪	906727	PCS	⑫	906725	PCS	
		2			2	
						
	Ø60x1307			Ø60x2080		
⑬	980104	PCS	⑭	980161	PCS	
		4			32	
						
	Ø5x90			M10		
⑮	902232	PCS	⑯	902233	PCS	
		16			16	
						
	M10x55			M10x30		
⑰	909256	PCS	⑱	702339	PCS	
		48			1	
						
	Ø16/8.4			118x78		

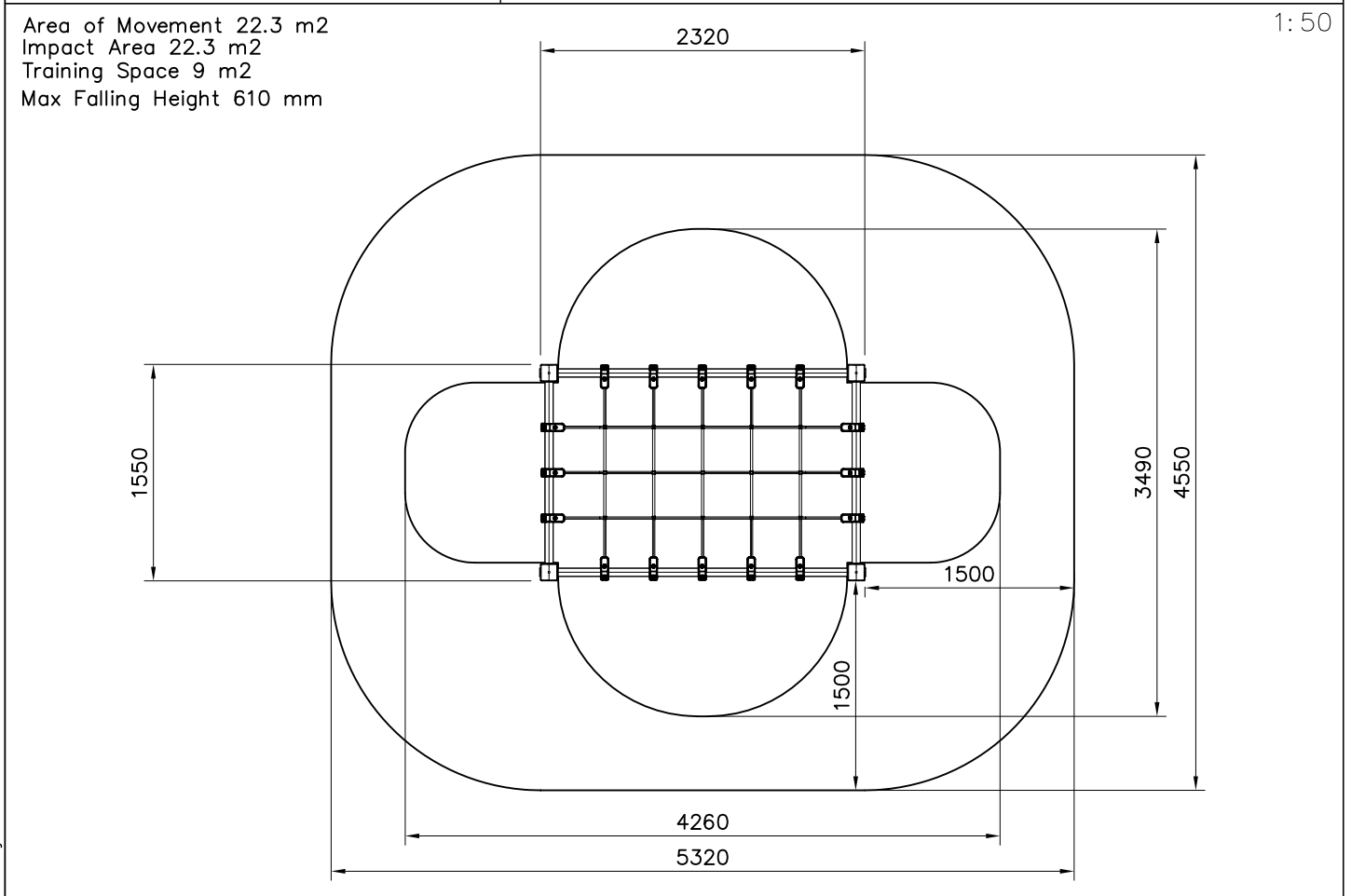
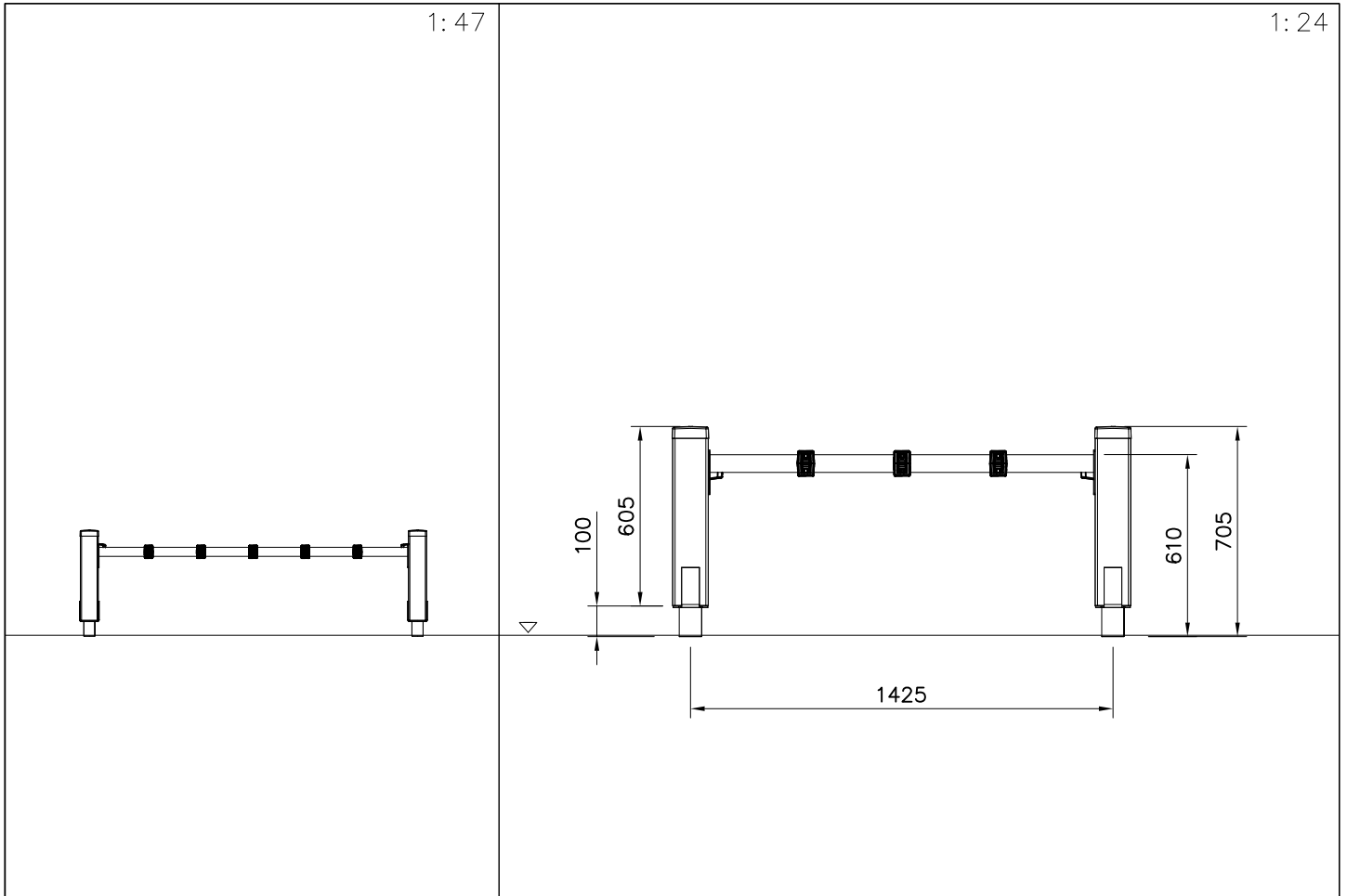
WINAM GROUP SPORT

081280M

DATE: 23.8.2017

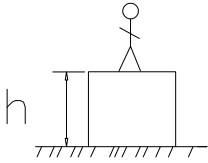

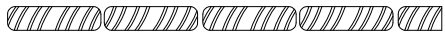

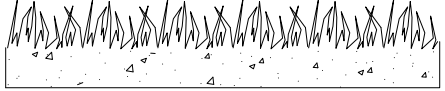
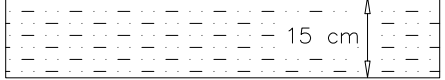
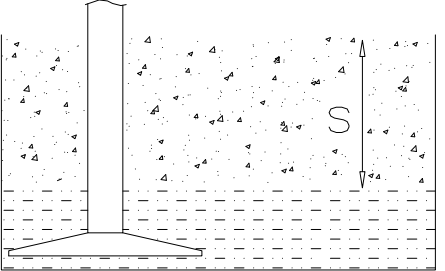
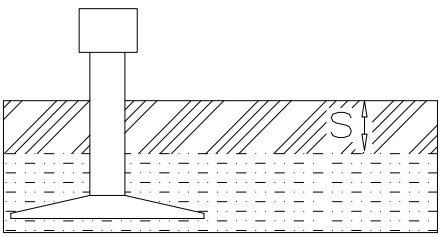


2(2)

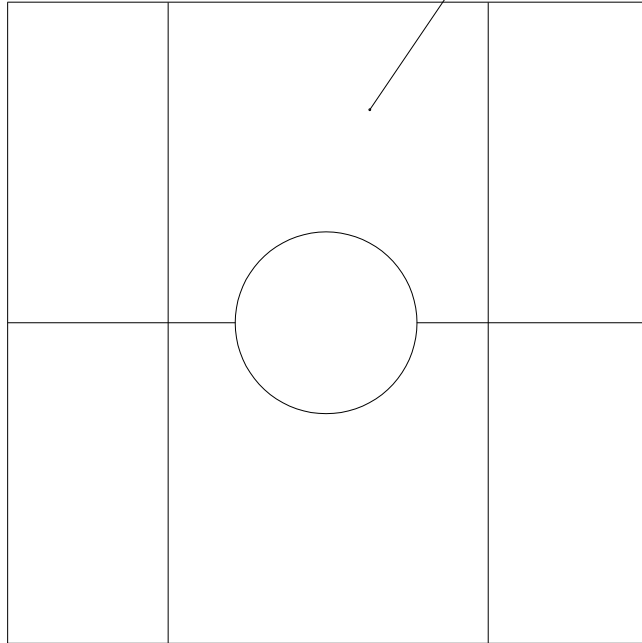


Impact Area EN 1176

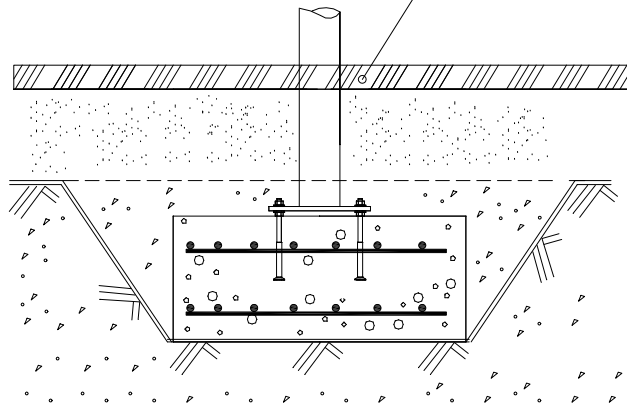
REF:
DATE: 20.2.2018

												
<p>$h < 600$</p> <p>Without movement and therefore without Impact Area</p>	<p>Totally hard surfaces.</p> <p>Note. Lappset does <u>not recommend</u> totally hard surfaces at all.</p>	<p>E.g. concrete or asphalt</p> 										
<p>$h < 600$</p> <p>With movement e.g. rocking</p>	<p>Materials with very limited impact attenuating properties.</p>	<p>E.g. wood</p> 										
<p>$h < 1000$</p>	<p>Materials with significant impact attenuating properties.</p>	<p>fine gravel 0–8 mm</p>  <p>grass</p>  <p>unsorted sand</p> 										
<p>$h < 3000$</p>	<p>Loose fill material</p> <p>E.g. sand/gravel 0,25...8 mm D60/D10<3,0 Woodchips 5...30 mm bark 20...80 mm</p>	 <table border="0" data-bbox="1021 1691 1324 1792"> <tr> <td>\underline{S}</td> <td>\underline{h}</td> </tr> <tr> <td>30 cm</td> <td>< 2,0 m</td> </tr> <tr> <td>40 cm</td> <td>< 3,0 m</td> </tr> </table>	\underline{S}	\underline{h}	30 cm	< 2,0 m	40 cm	< 3,0 m				
\underline{S}	\underline{h}											
30 cm	< 2,0 m											
40 cm	< 3,0 m											
	<p>Syntethic granulates</p> <table border="0" data-bbox="399 1892 750 2060"> <tr> <td>\underline{S}</td> <td>\underline{h}</td> </tr> <tr> <td>40 mm</td> <td>~> 1,2...1,3 m</td> </tr> <tr> <td>50 mm</td> <td>~> 1,5...1,7 m</td> </tr> <tr> <td>60 mm</td> <td>~> 1,8...2,0 m</td> </tr> <tr> <td>70 mm</td> <td>~> 2,1...2,5 m</td> </tr> </table> <p>Note. For accurate values, see manufacturer's instructions.</p>	\underline{S}	\underline{h}	40 mm	~> 1,2...1,3 m	50 mm	~> 1,5...1,7 m	60 mm	~> 1,8...2,0 m	70 mm	~> 2,1...2,5 m	
\underline{S}	\underline{h}											
40 mm	~> 1,2...1,3 m											
50 mm	~> 1,5...1,7 m											
60 mm	~> 1,8...2,0 m											
70 mm	~> 2,1...2,5 m											

REMOVE SAFETY SURFACE/SAND/GRAVEL
TO CHECK FOUNDATION

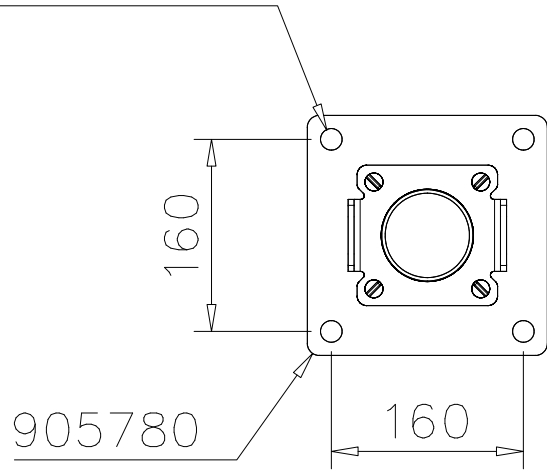


REMOVE SAFETY SURFACE/SAND/GRAVEL
TO CHECK FOUNDATION

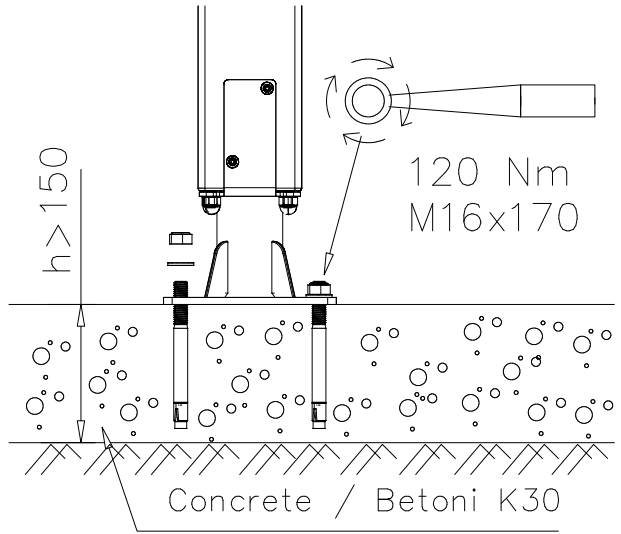


DET 1

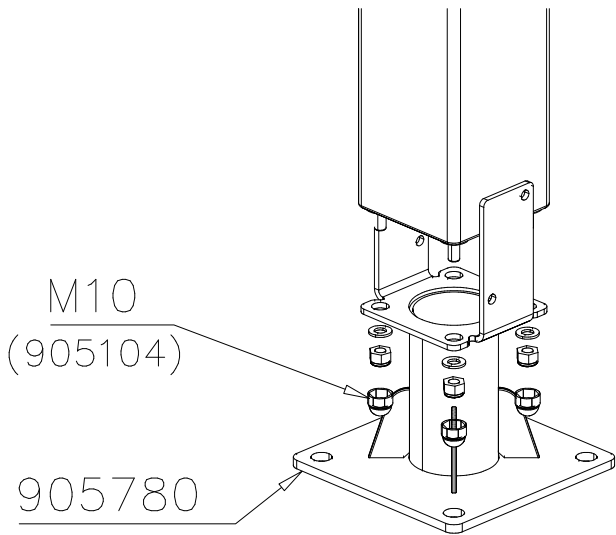
$\varnothing 16 \downarrow > 130$



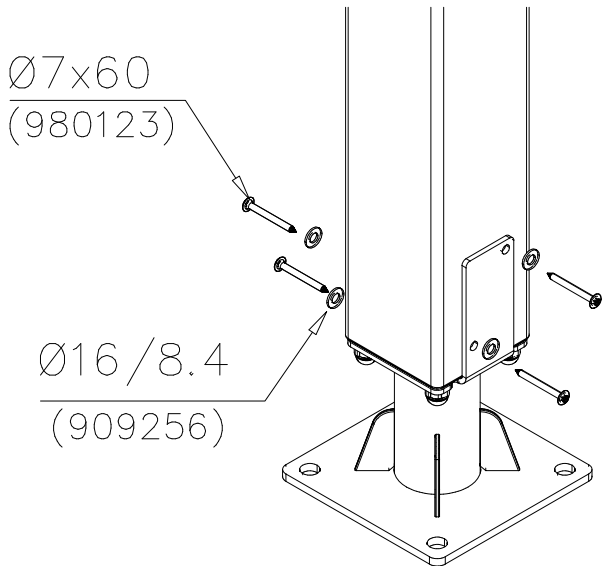
DET 2



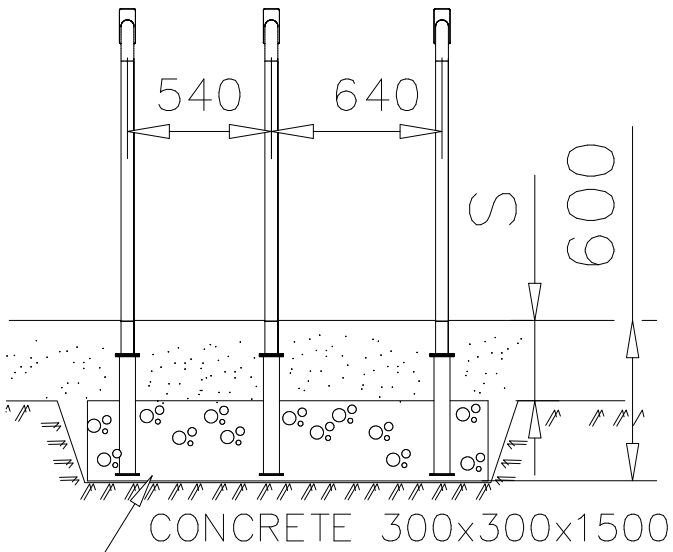
DET 3



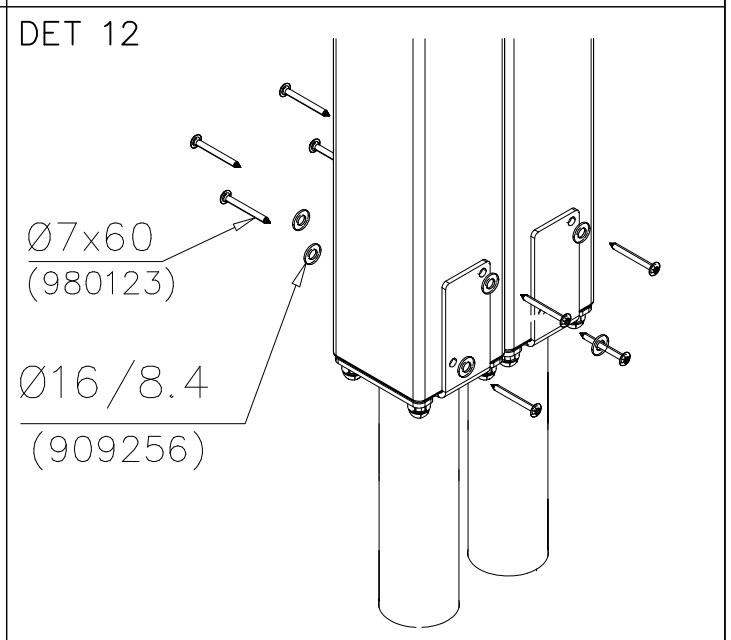
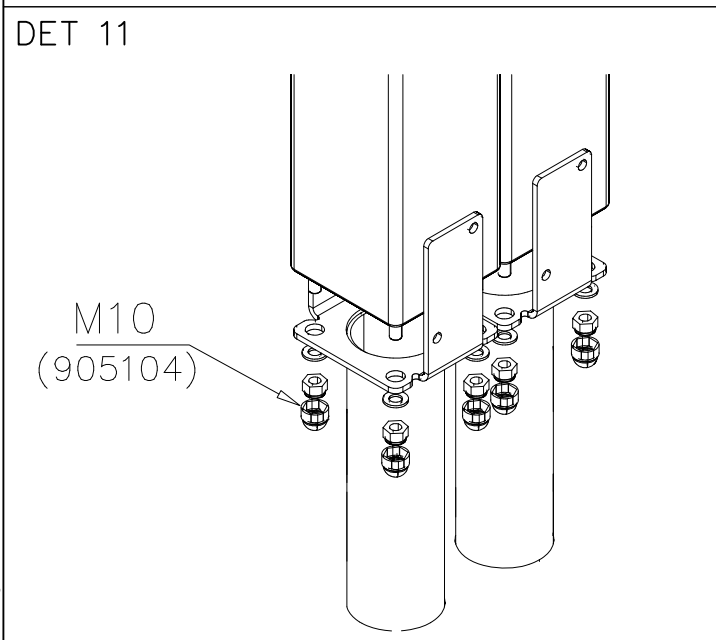
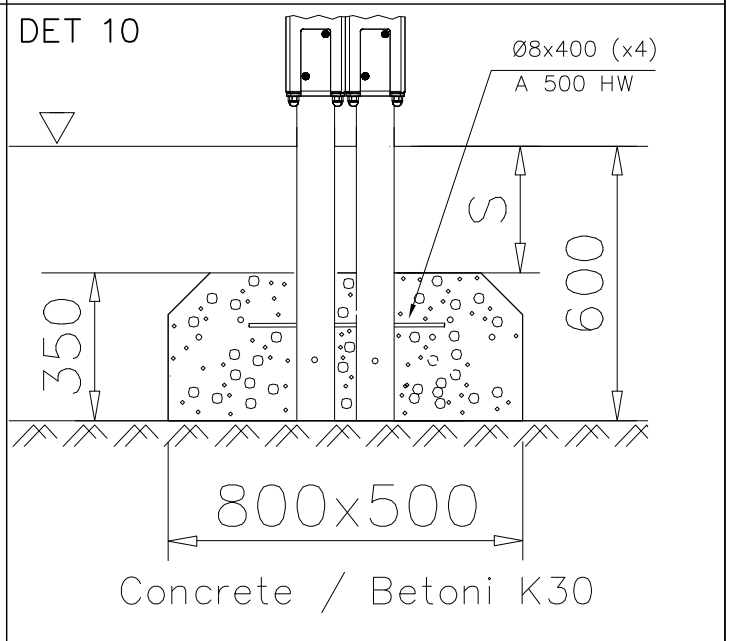
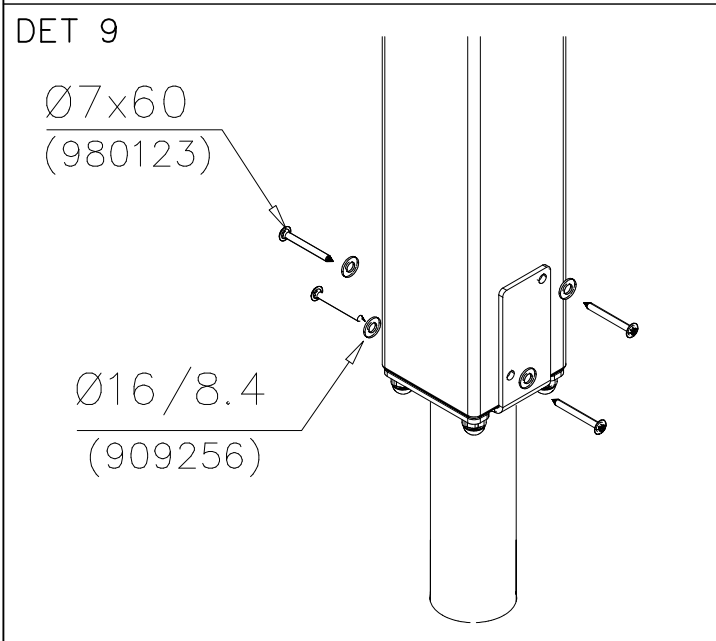
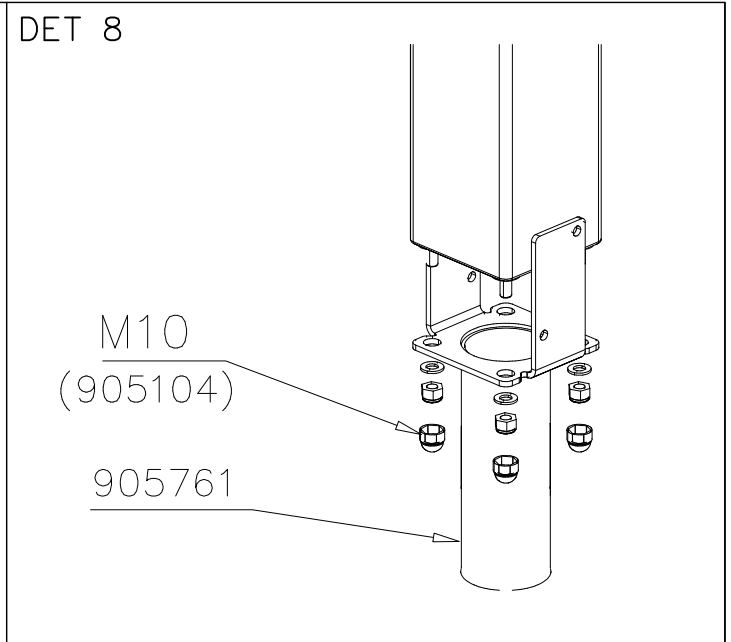
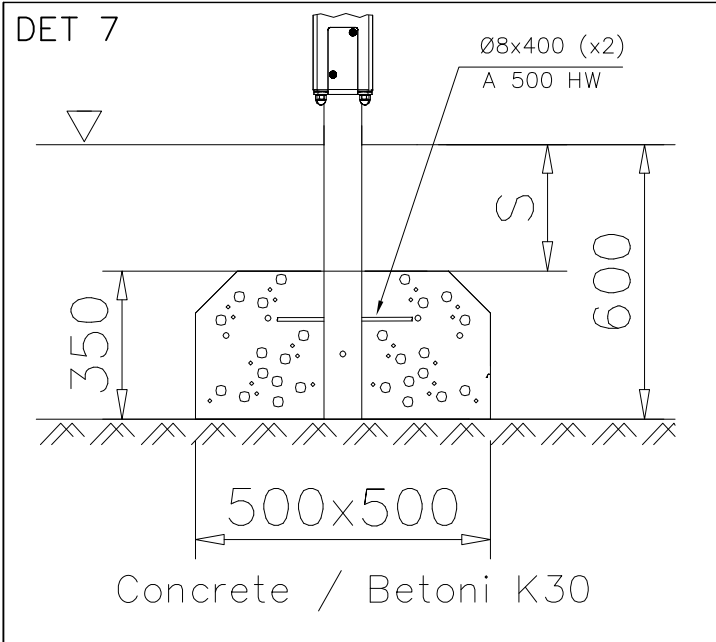
DET 4



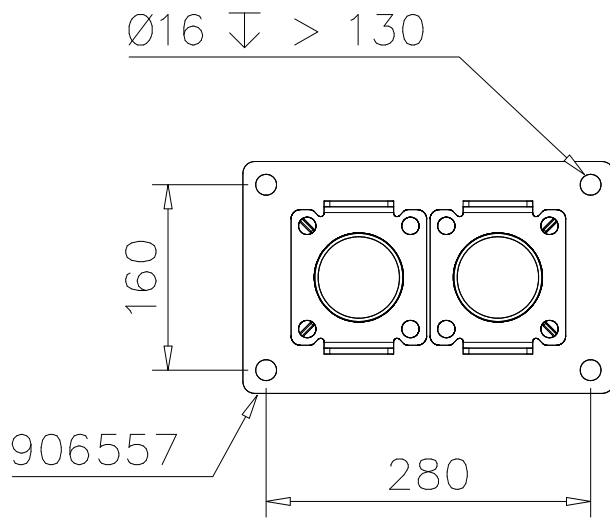
DET 5



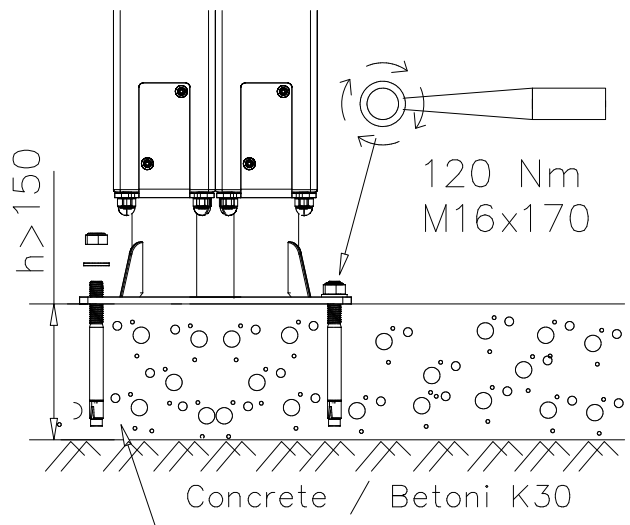
DET 6



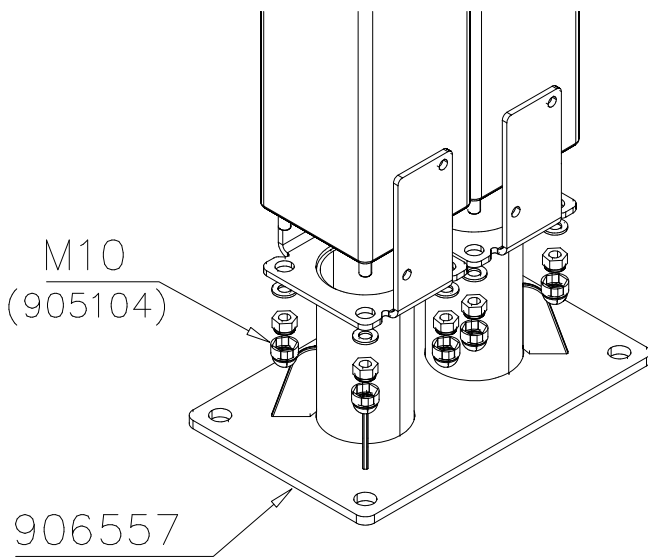
DET 13



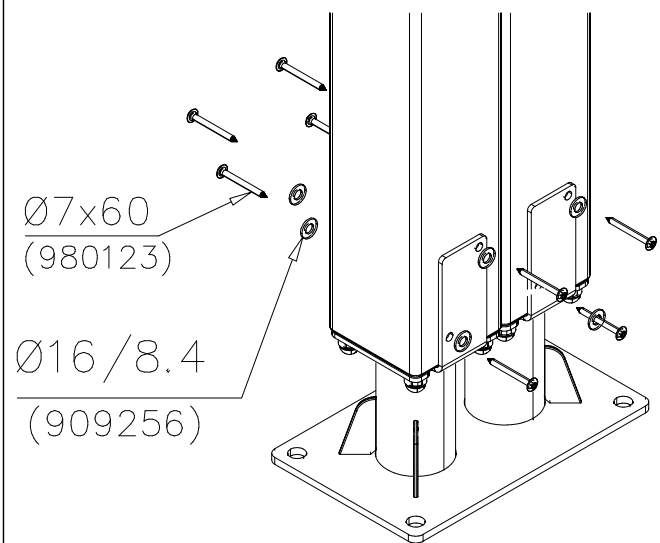
DET 14



DET 15

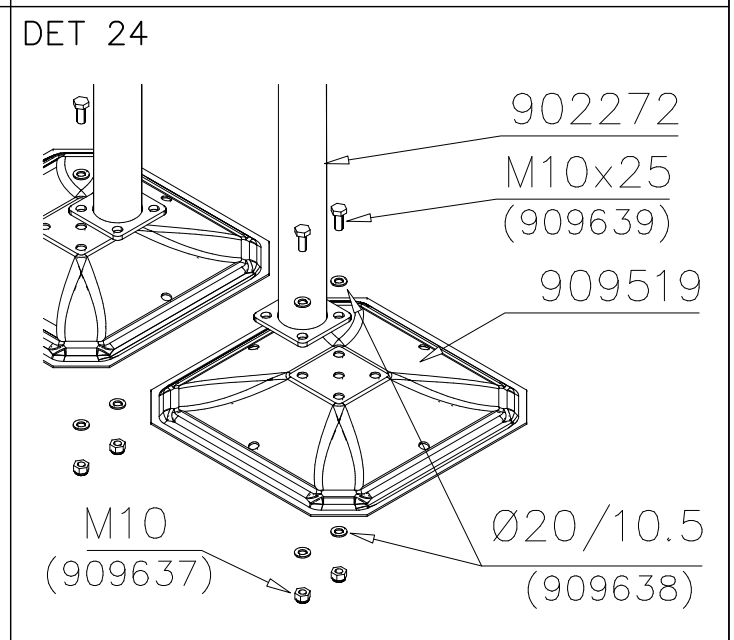
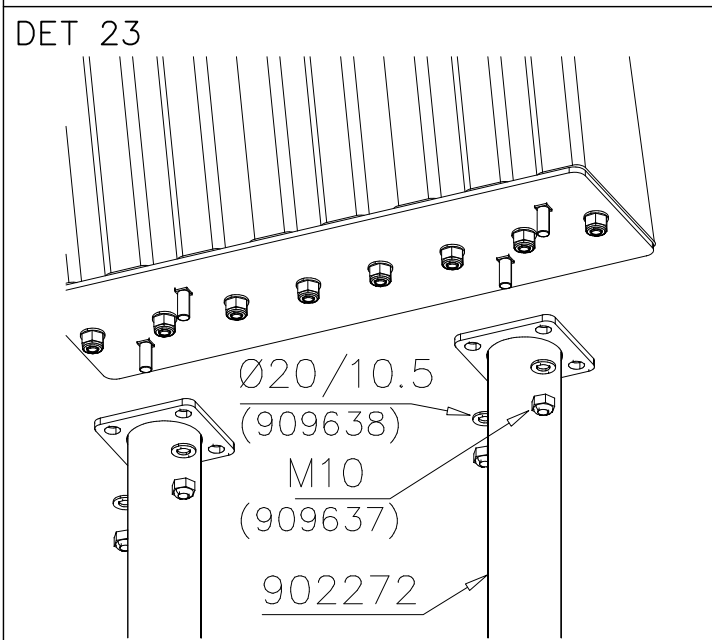
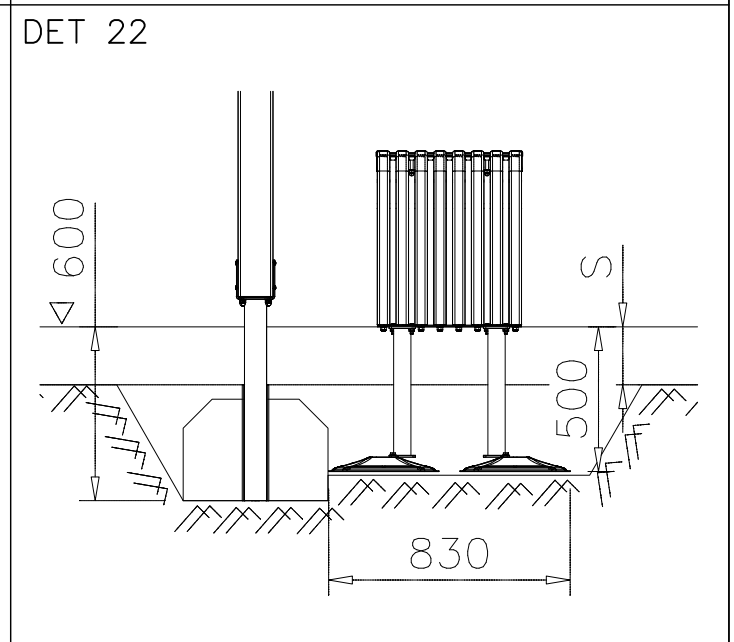
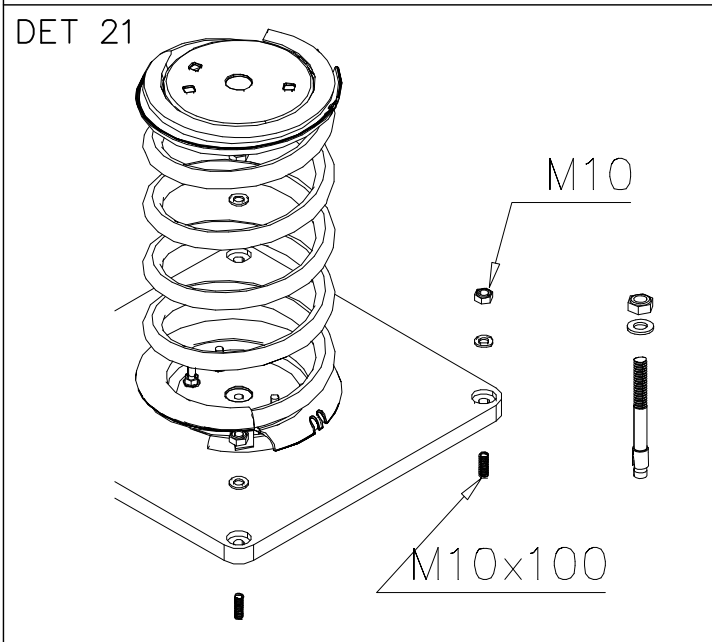
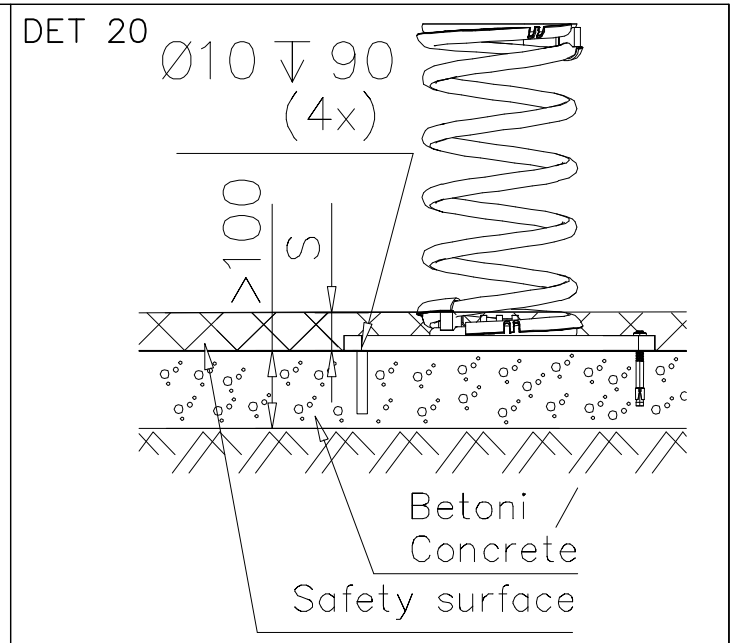
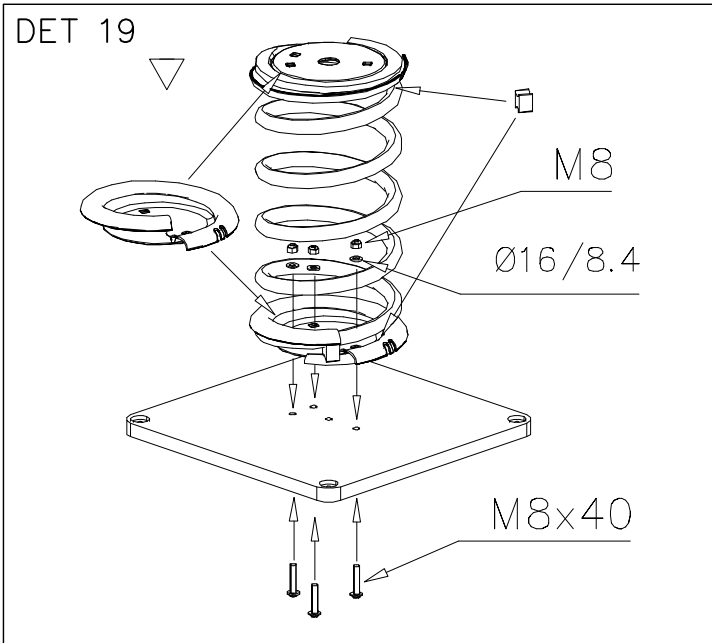


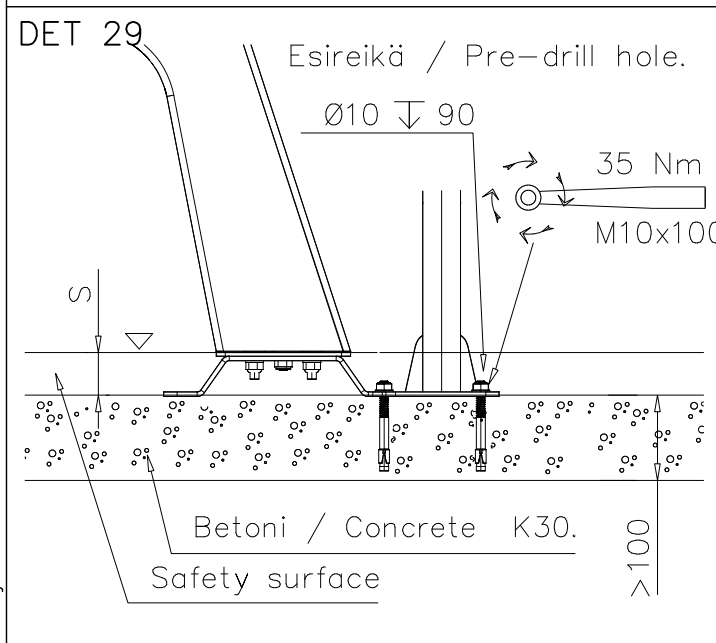
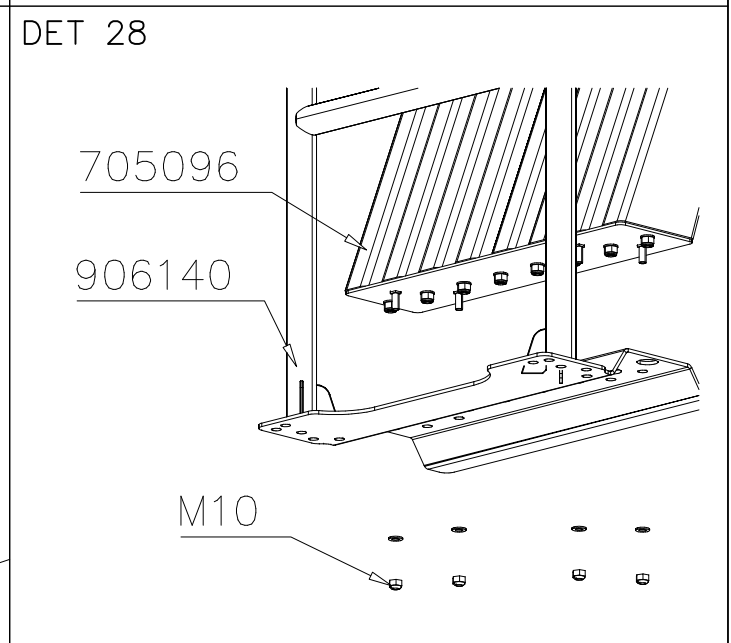
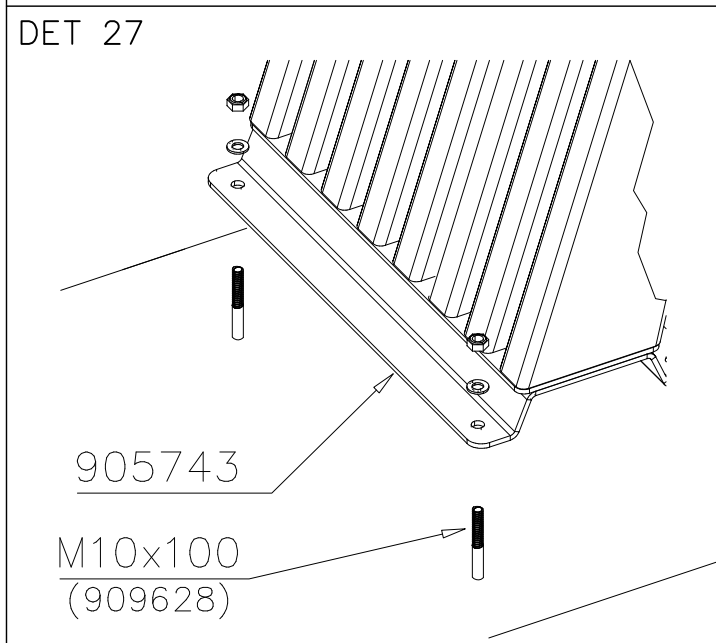
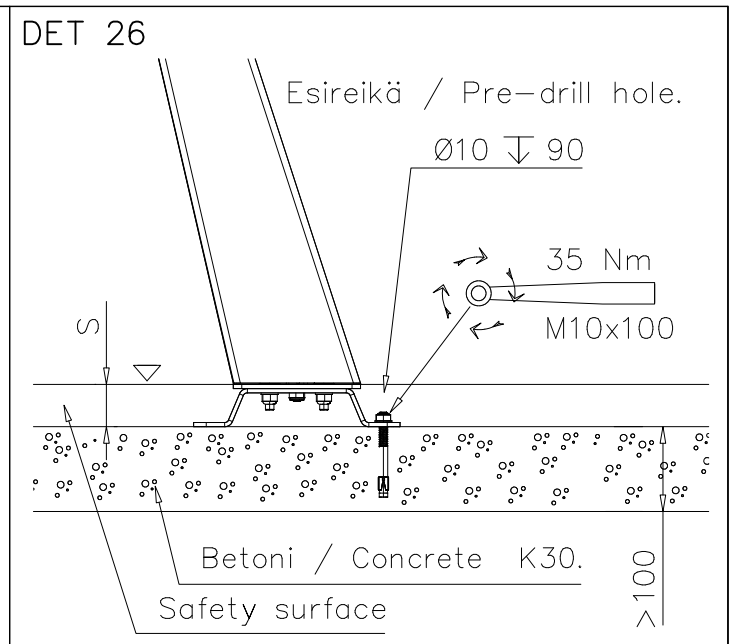
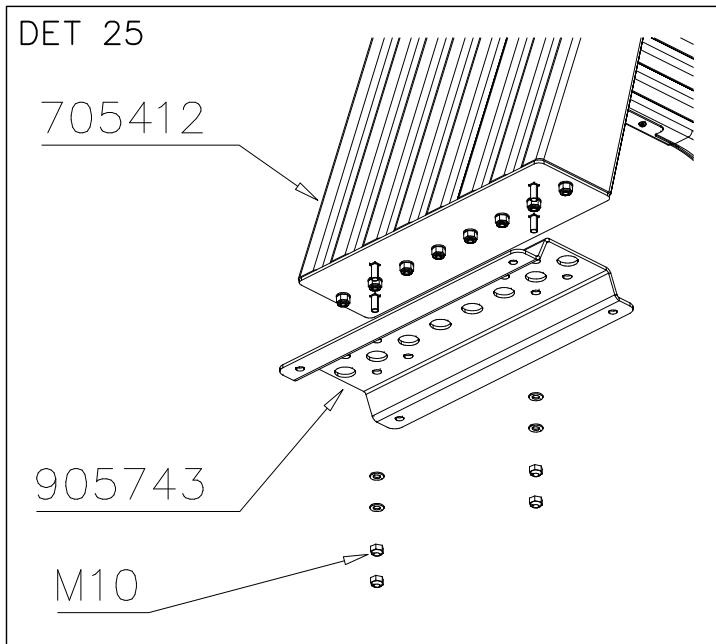
DET 16

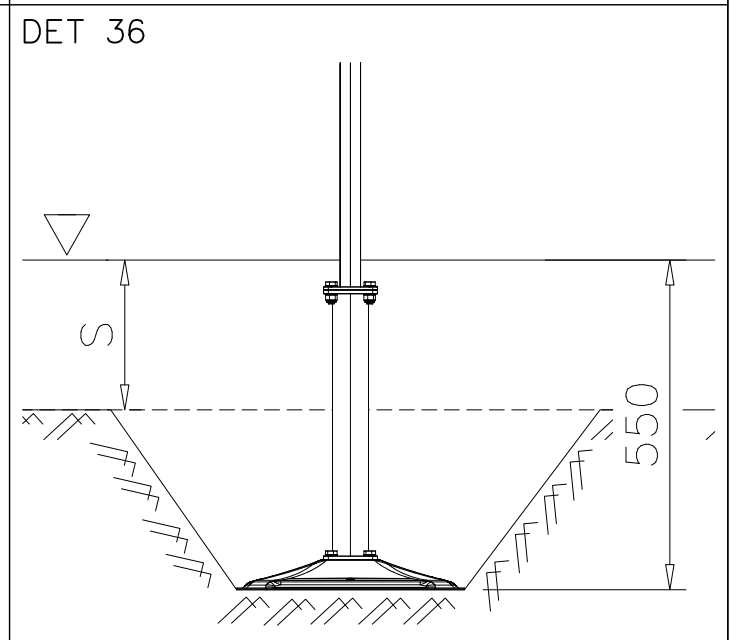
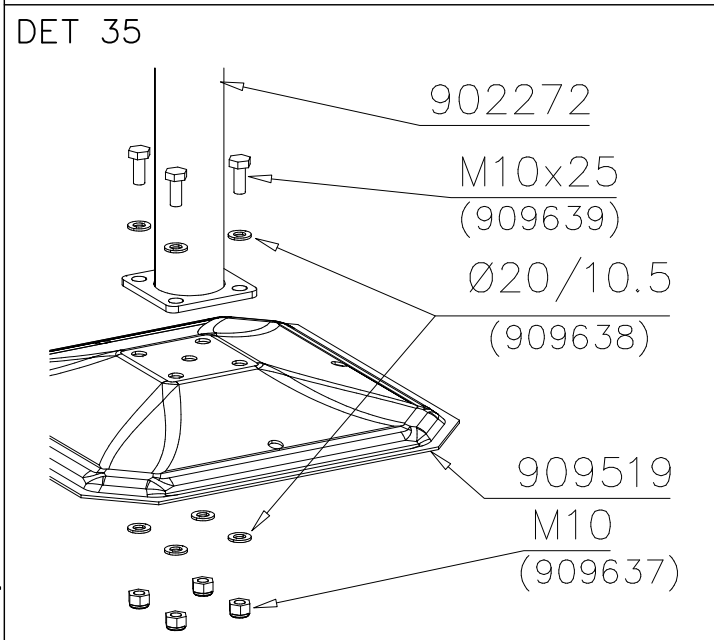
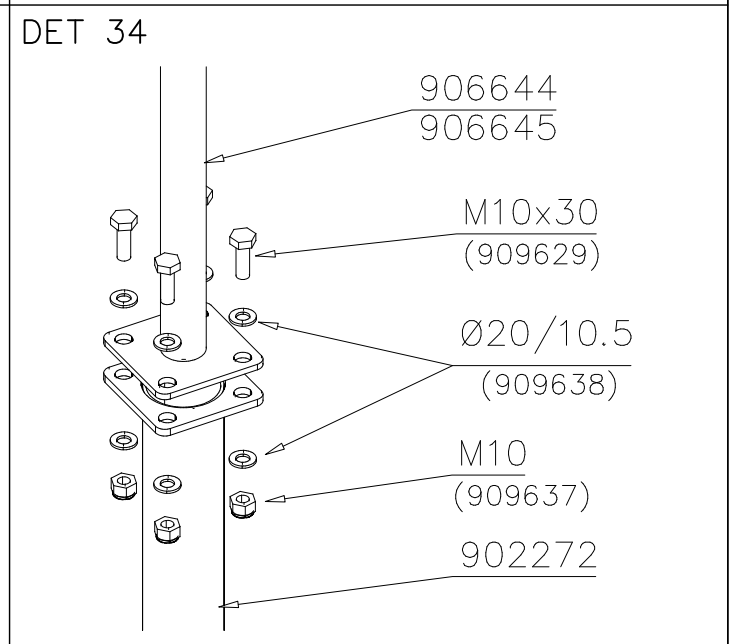
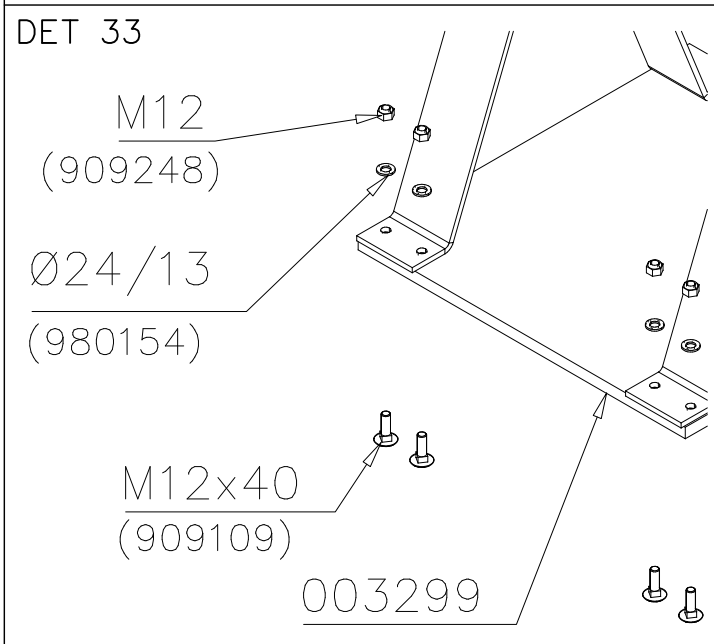
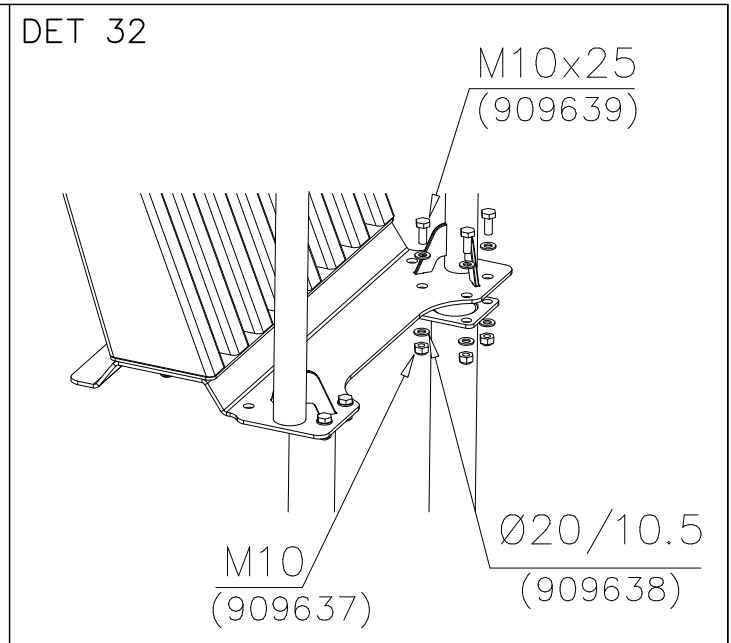
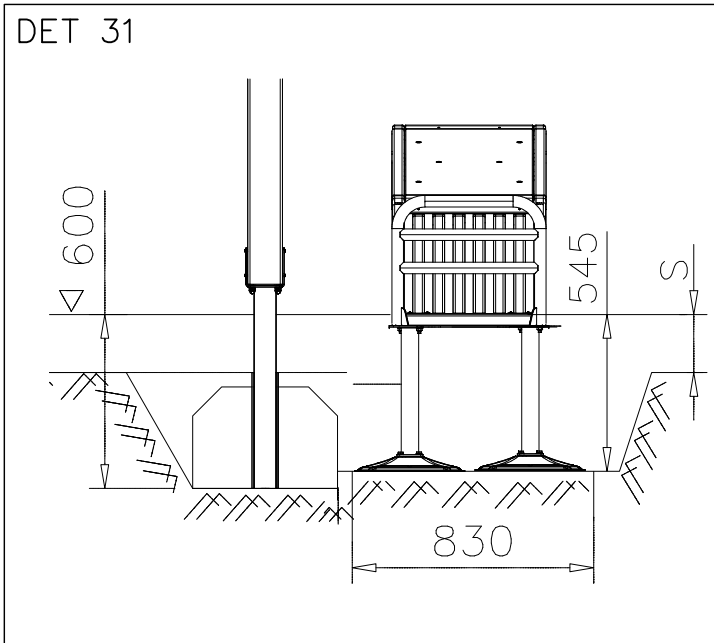


DET 17

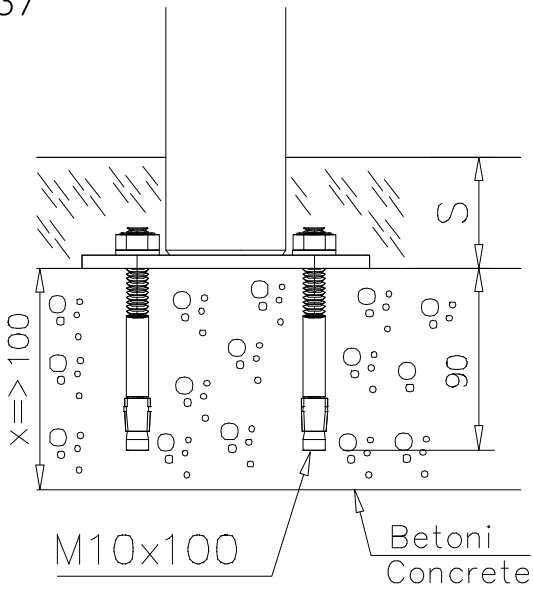
DET 18



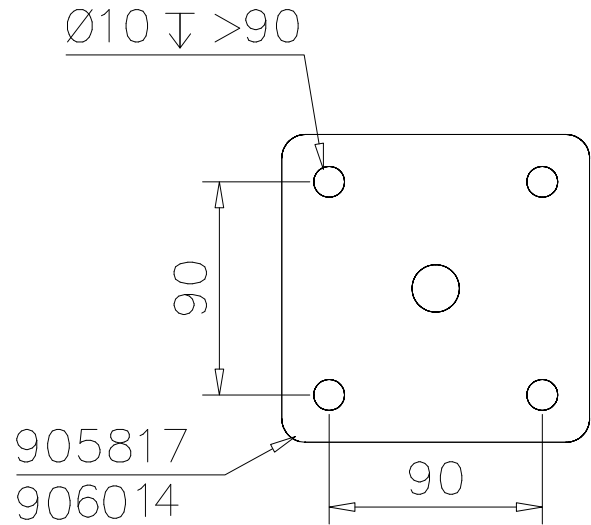




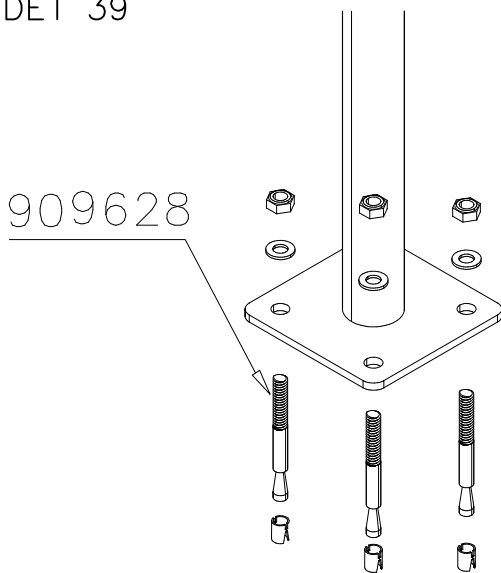
DET 37



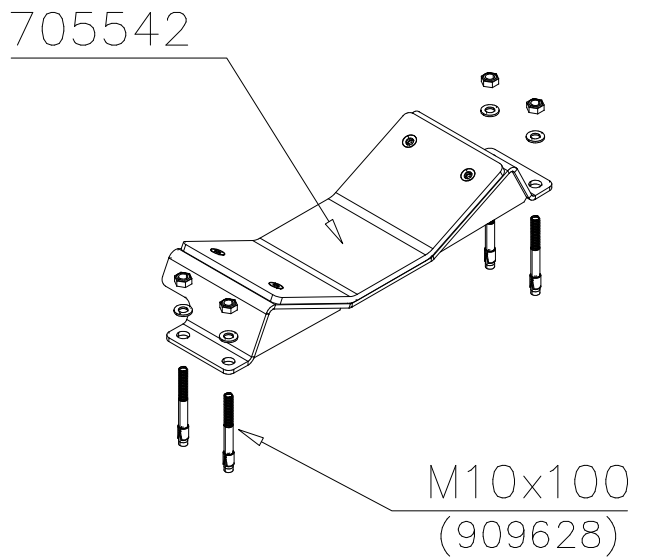
DET 38



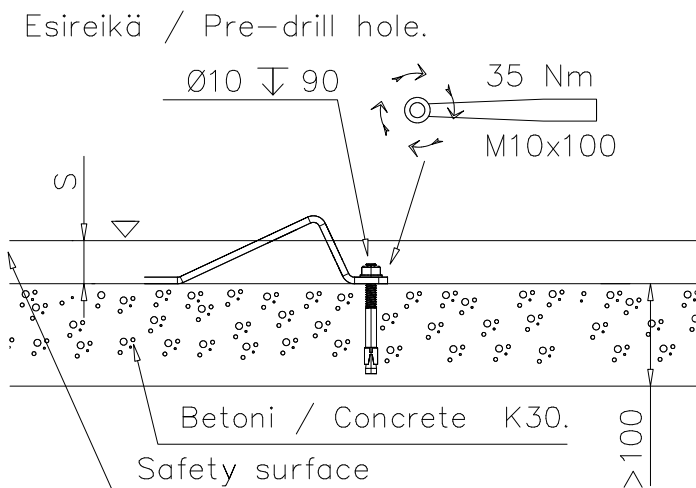
DET 39



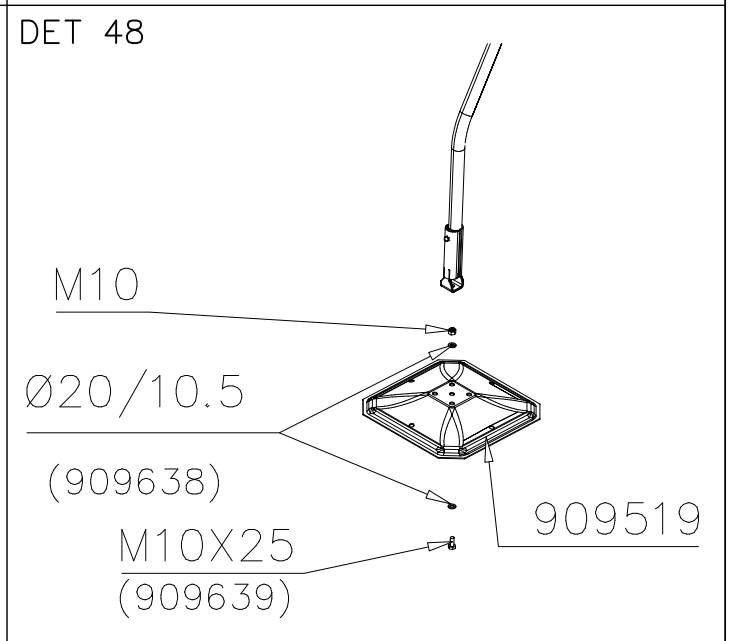
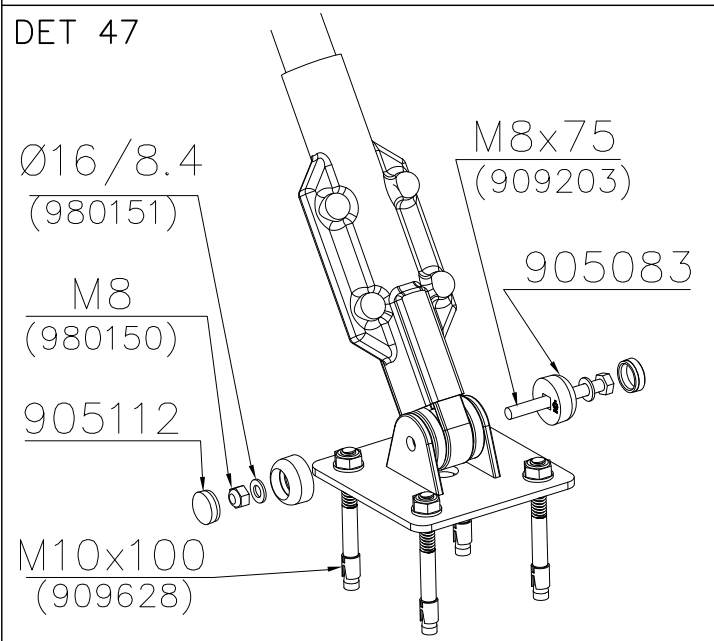
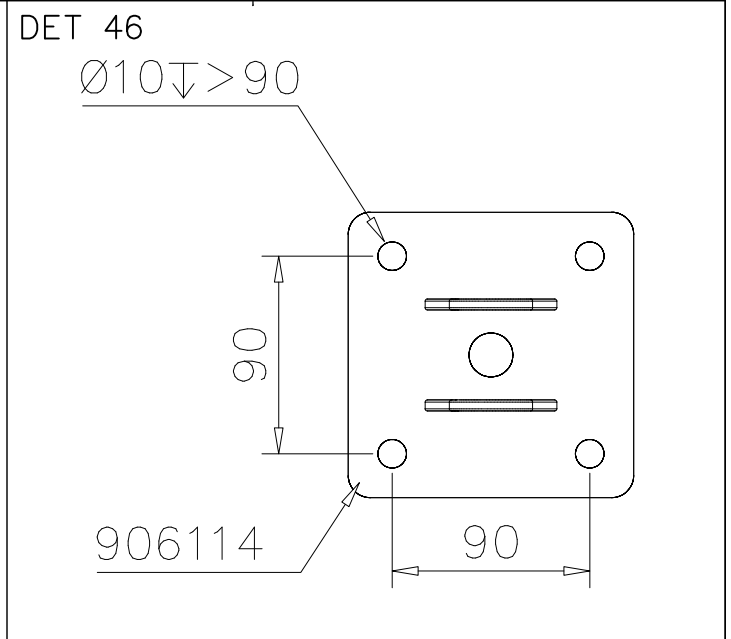
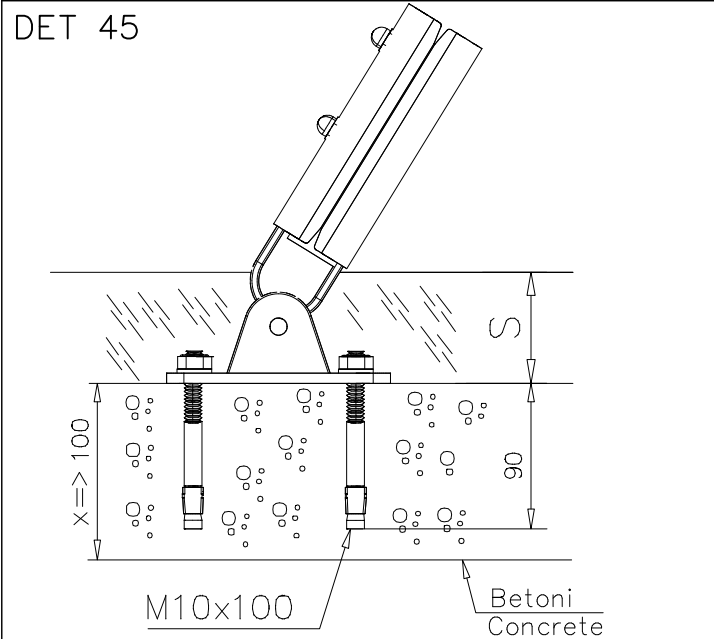
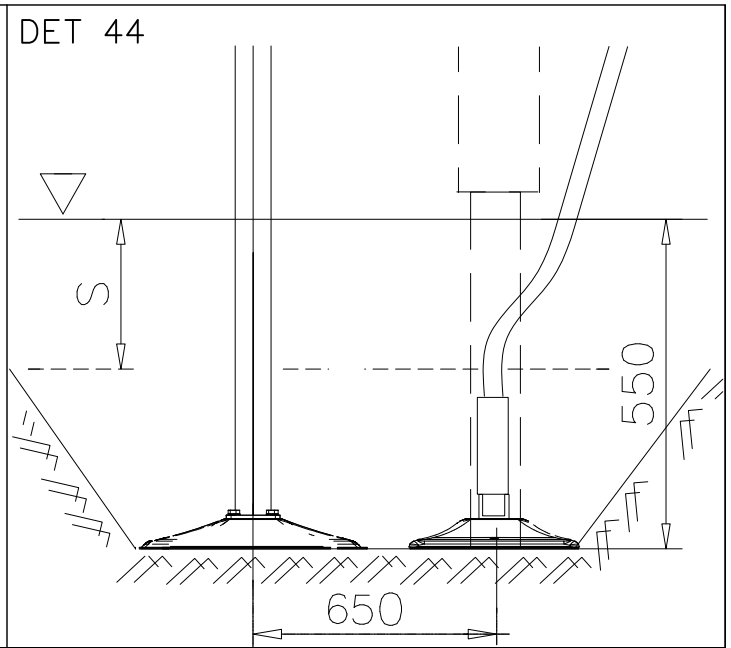
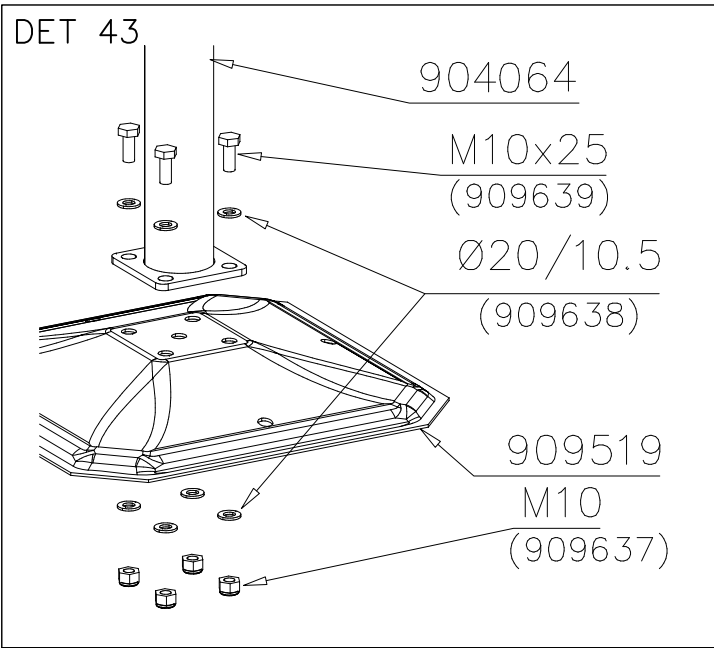
DET 40



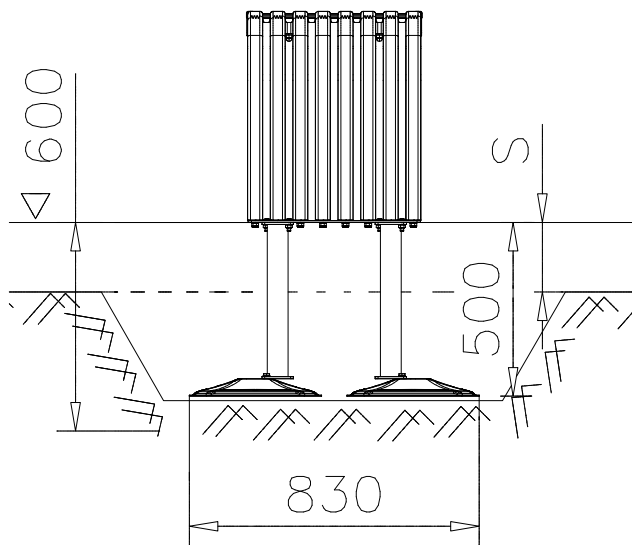
DET 41



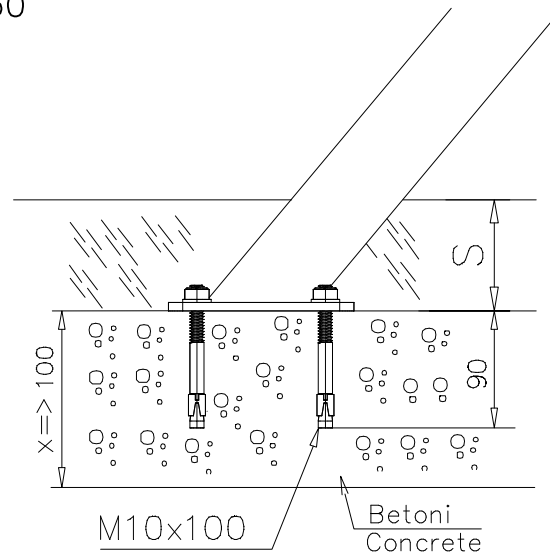
DET 42



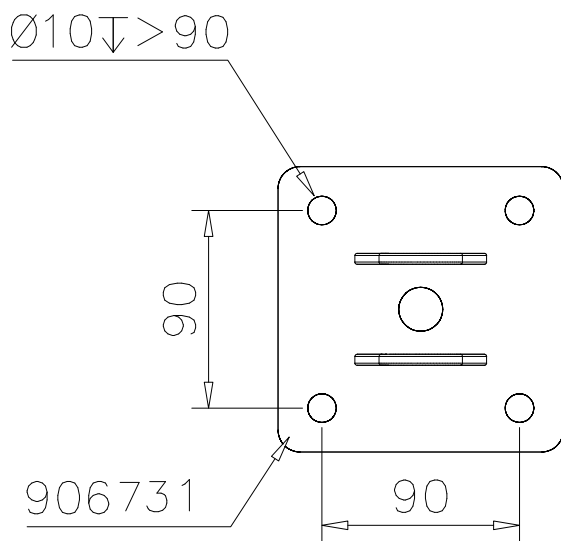
DET 49



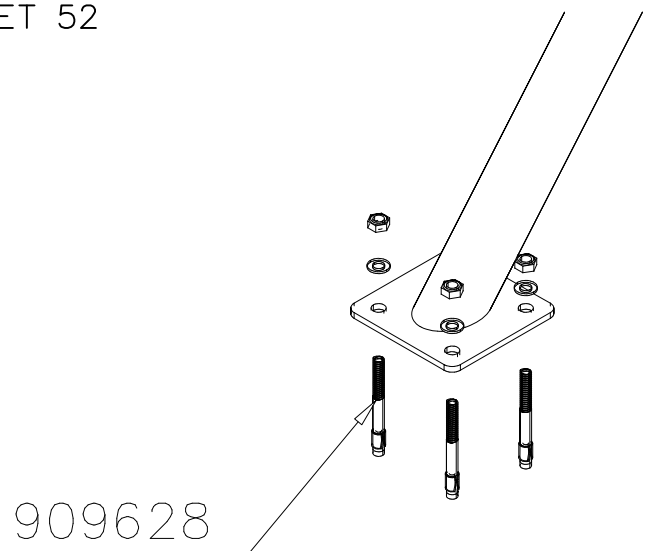
DET 50



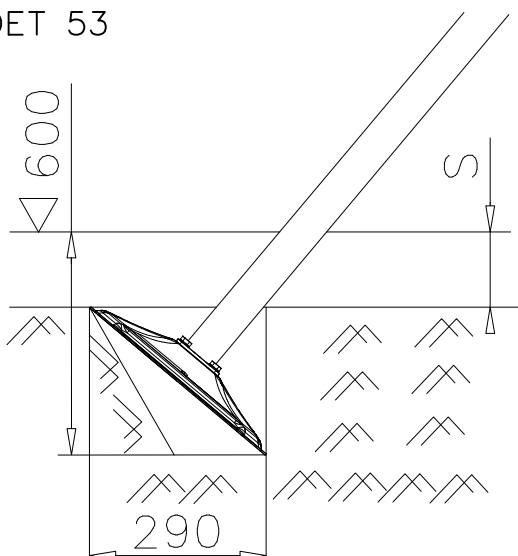
DET 51



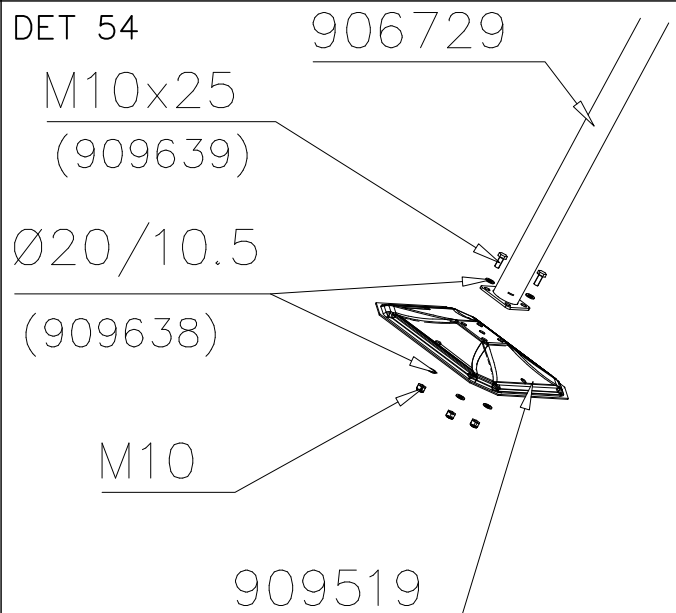
DET 52



DET 53

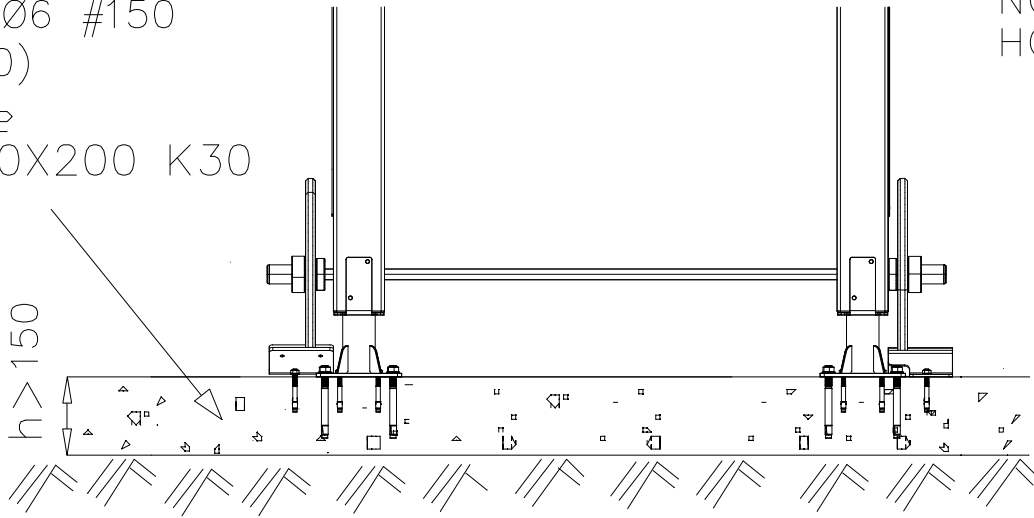


DET 54

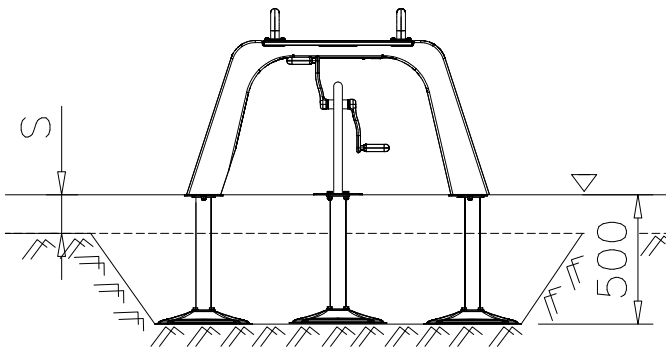


DET 55

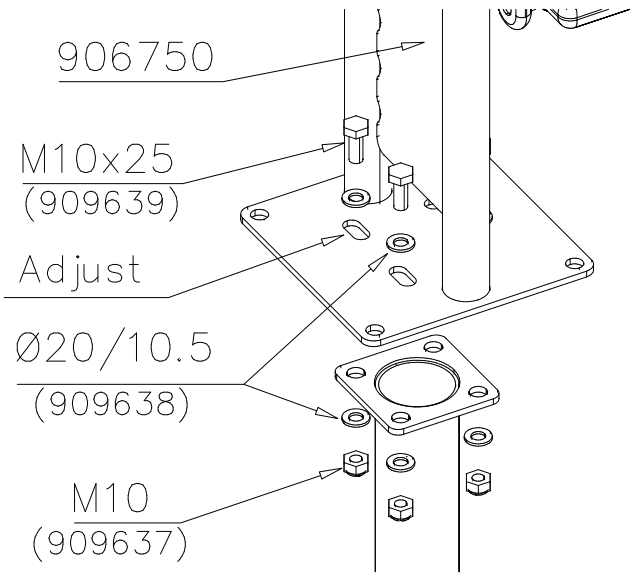
STEELNET Ø6 #150
(1400x2100)
Concrete
1500X2200X200 K30



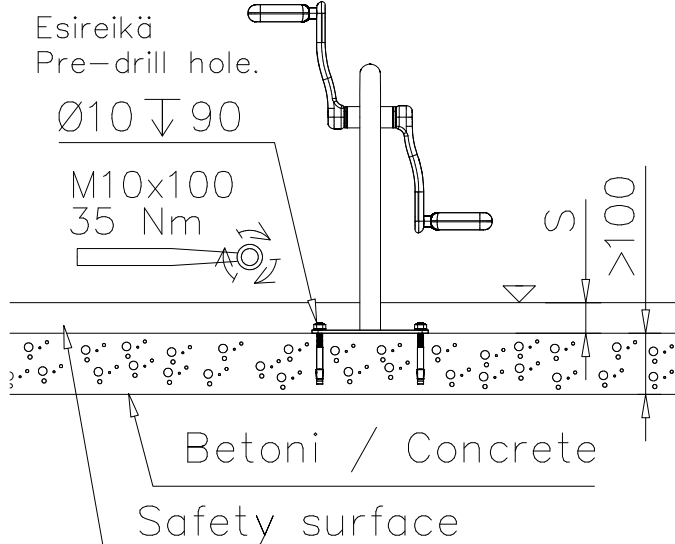
DET 56



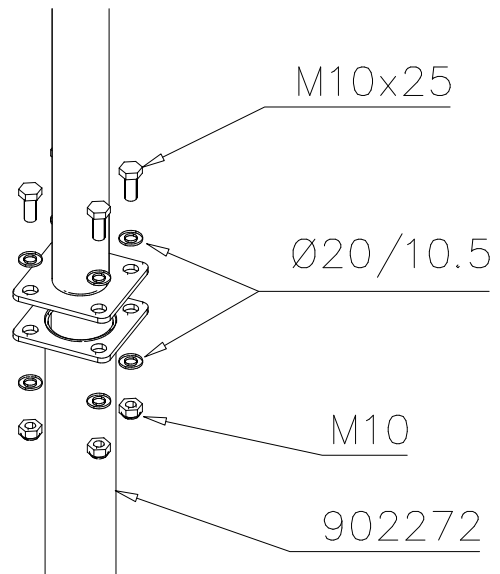
DET 57

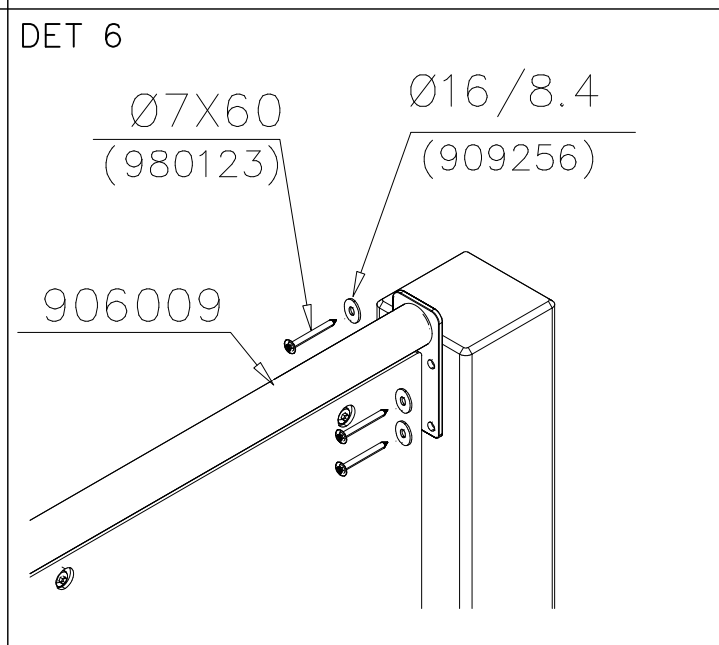
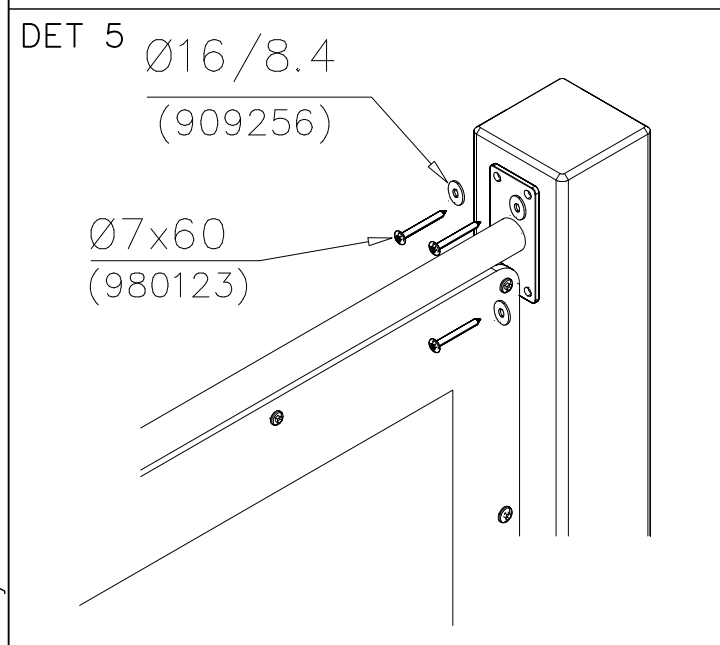
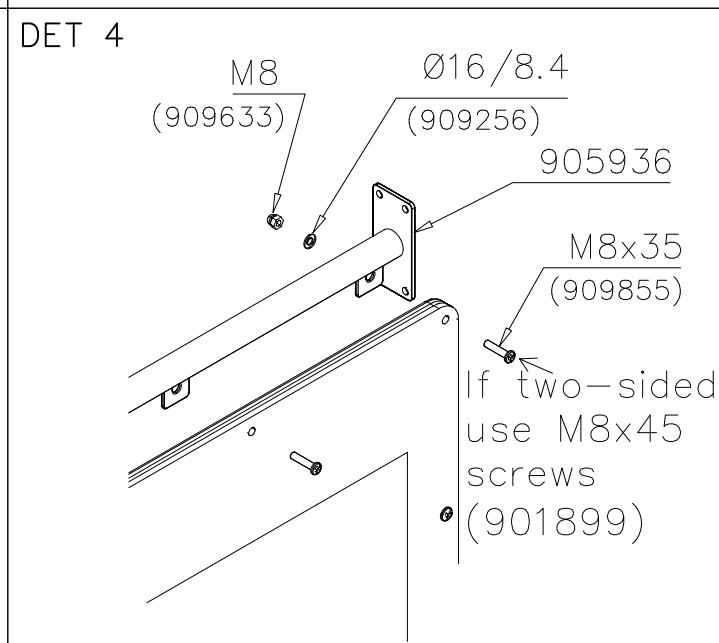
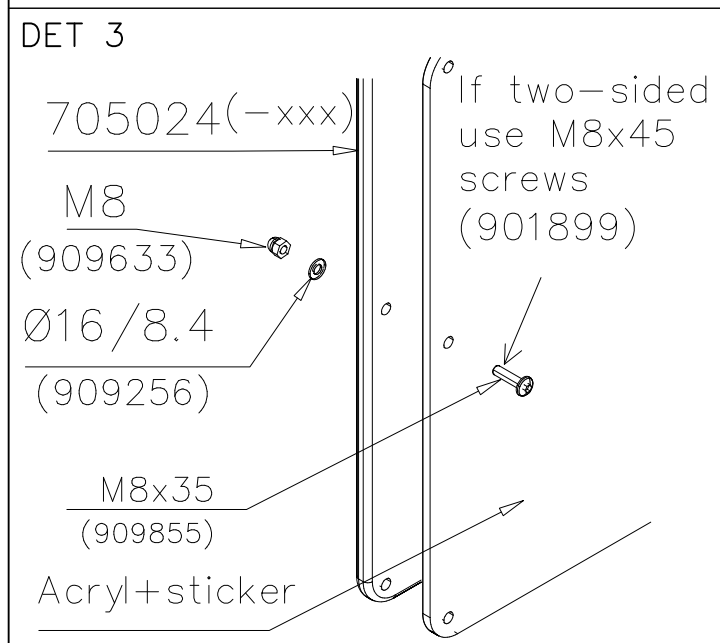
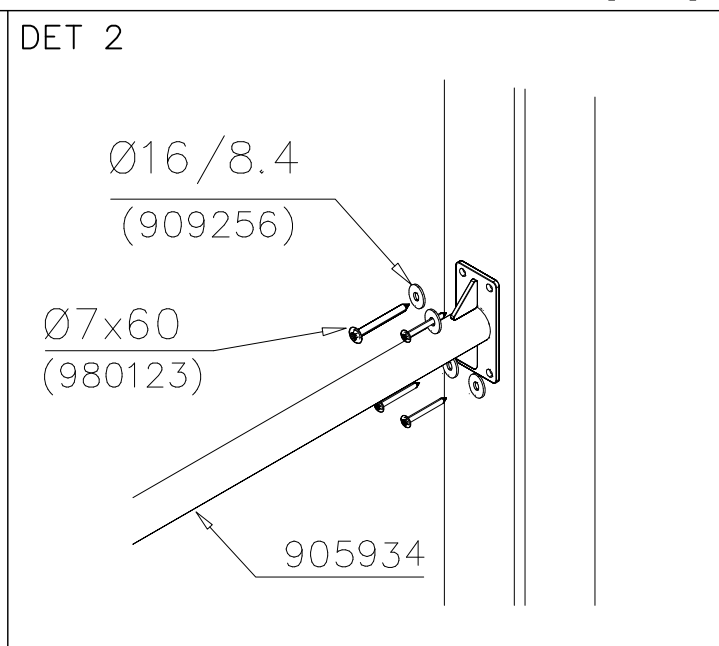
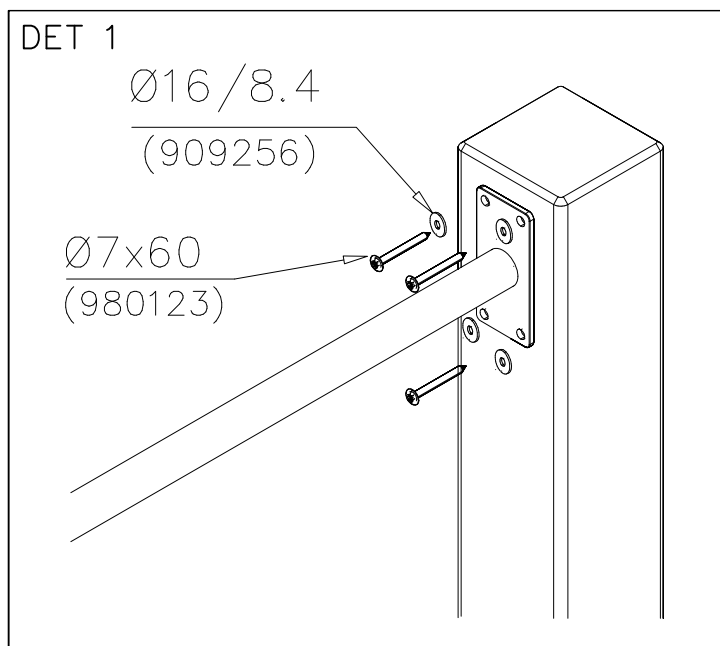


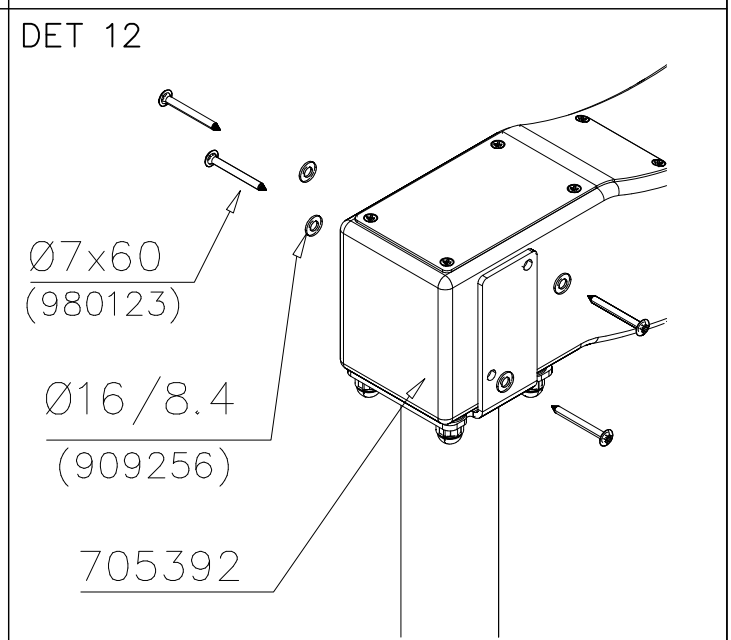
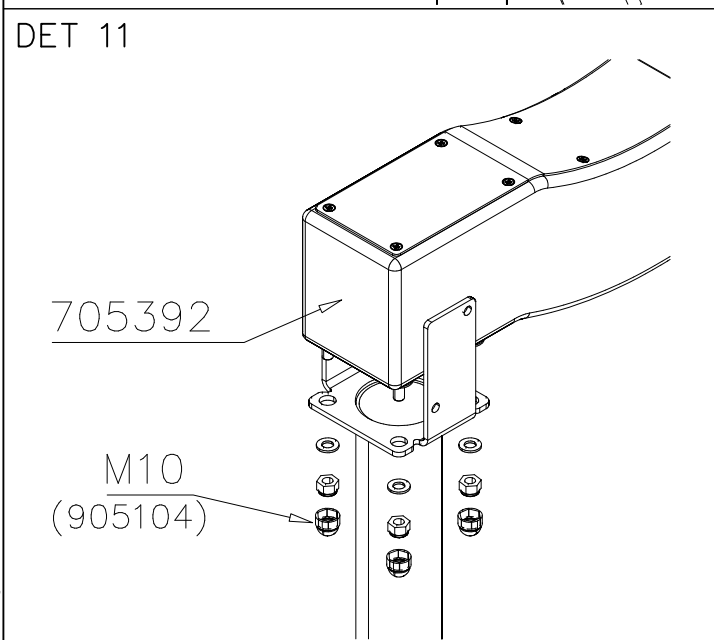
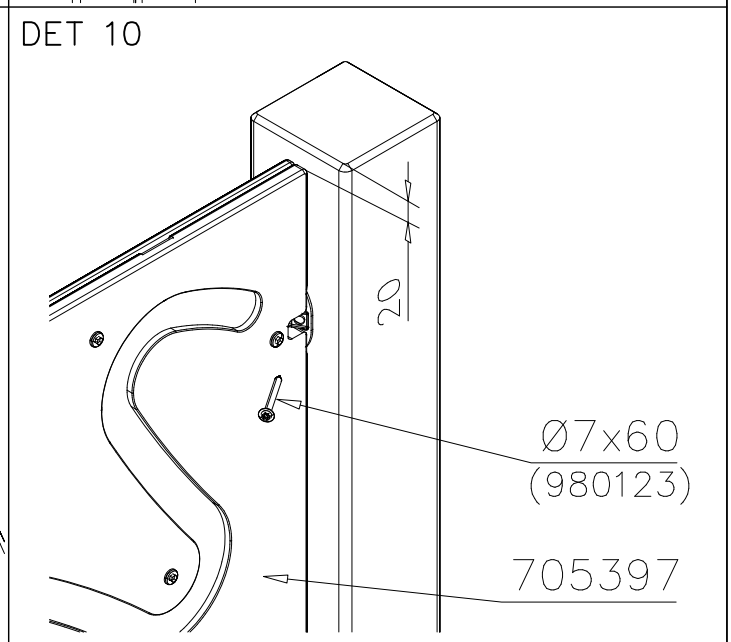
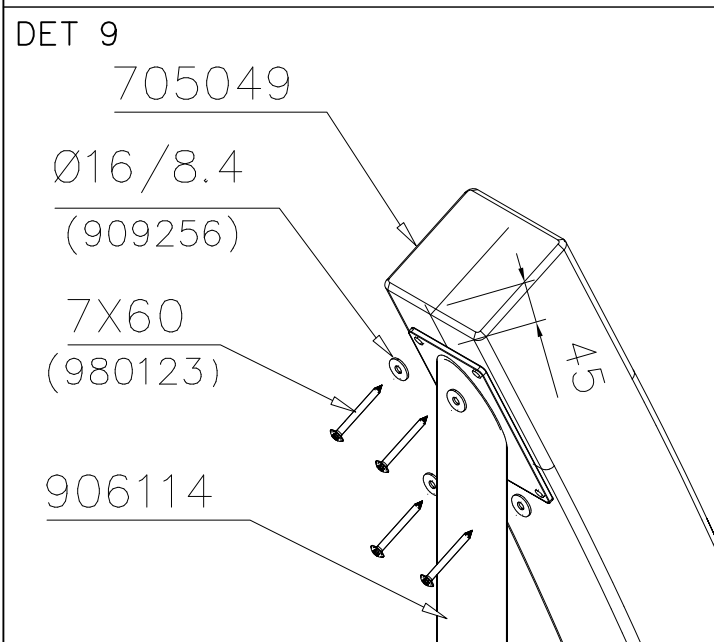
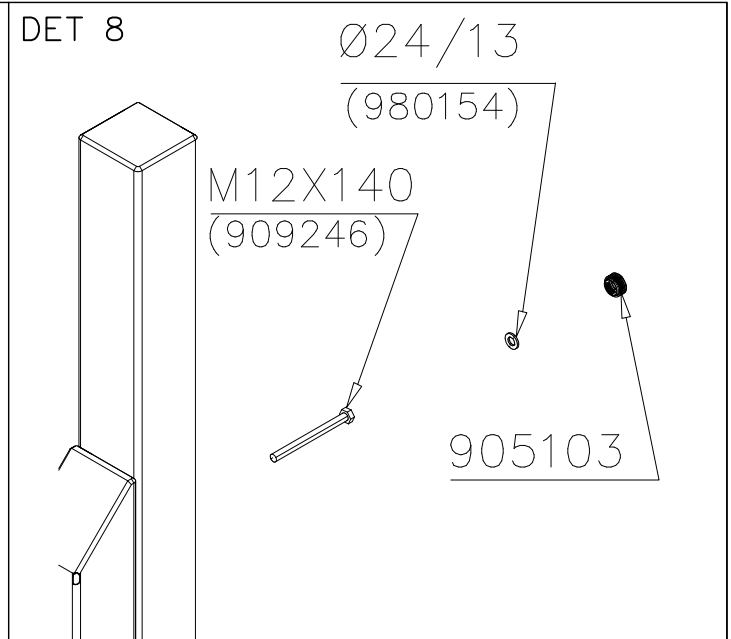
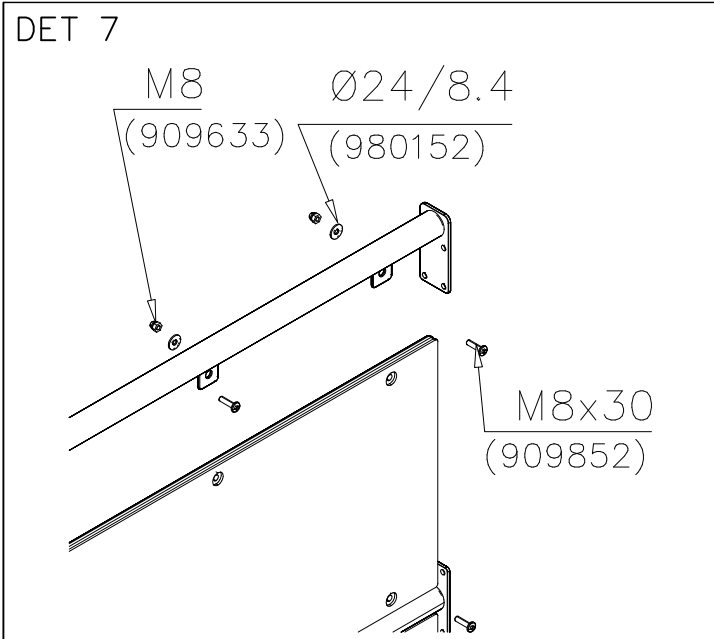
DET 58

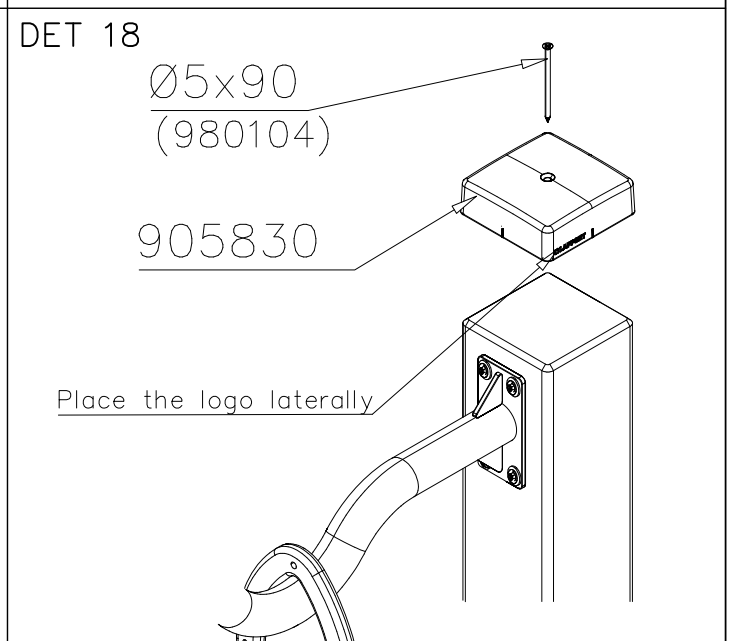
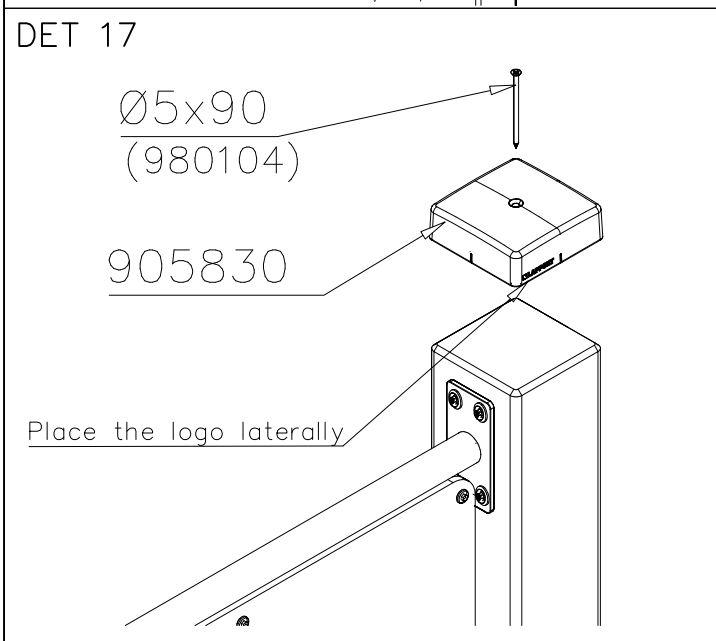
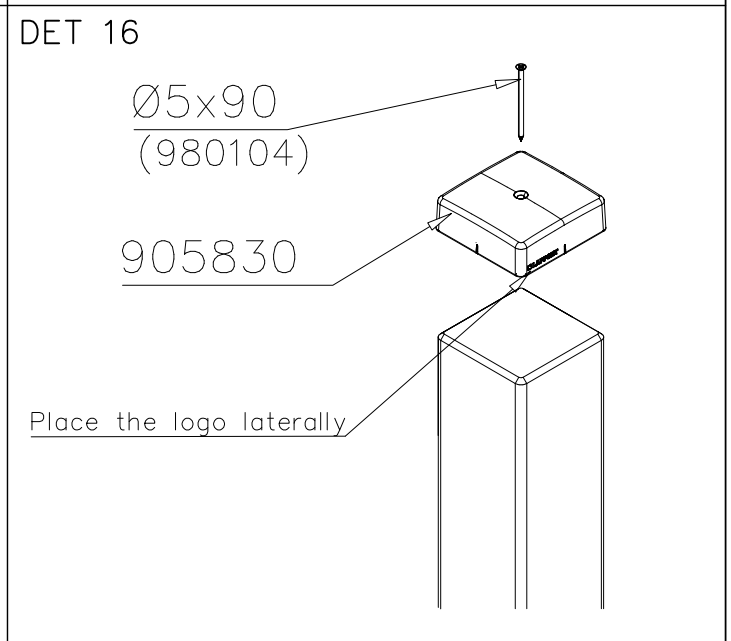
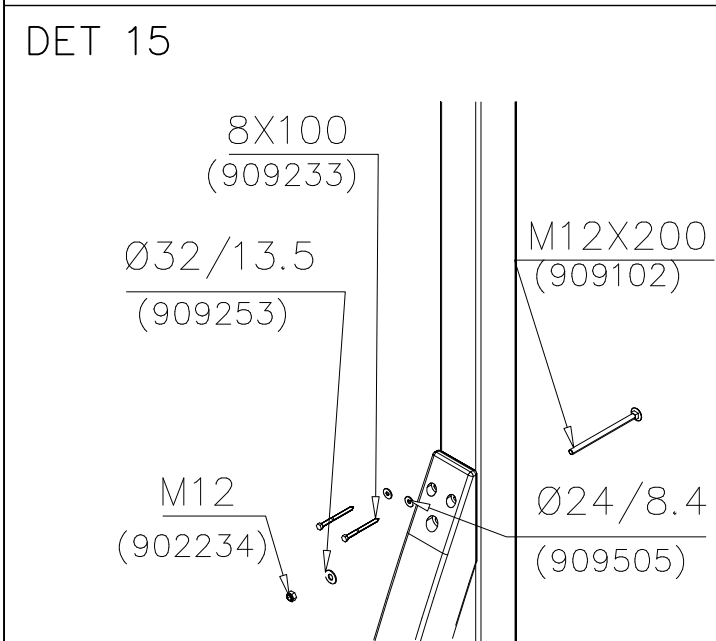
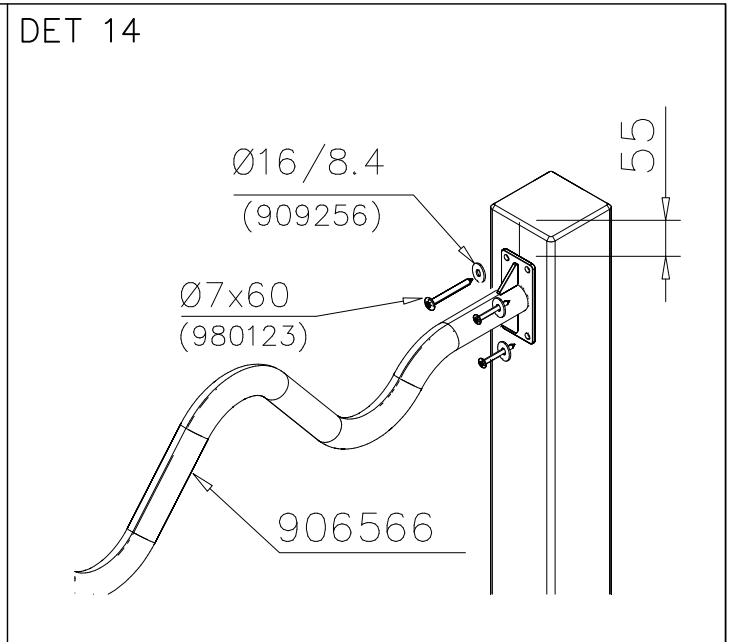
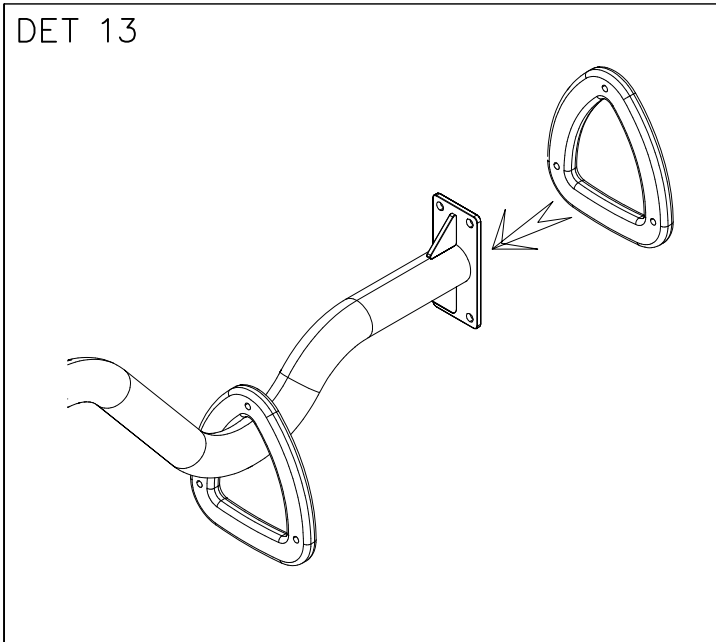


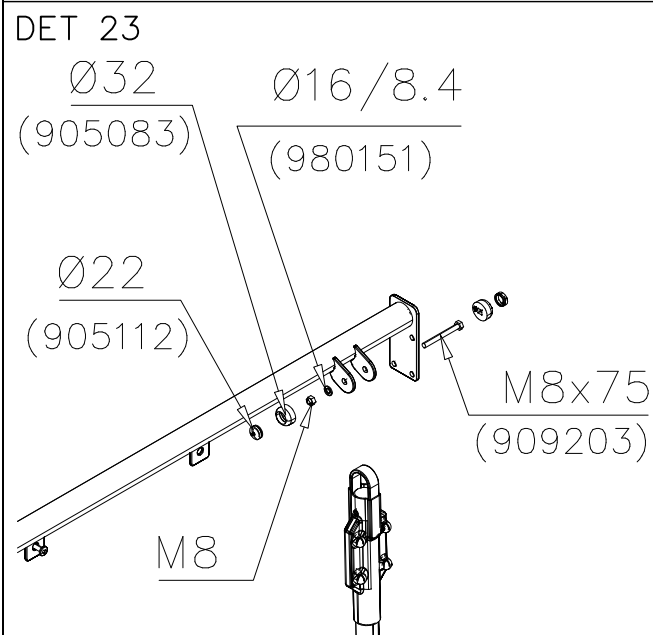
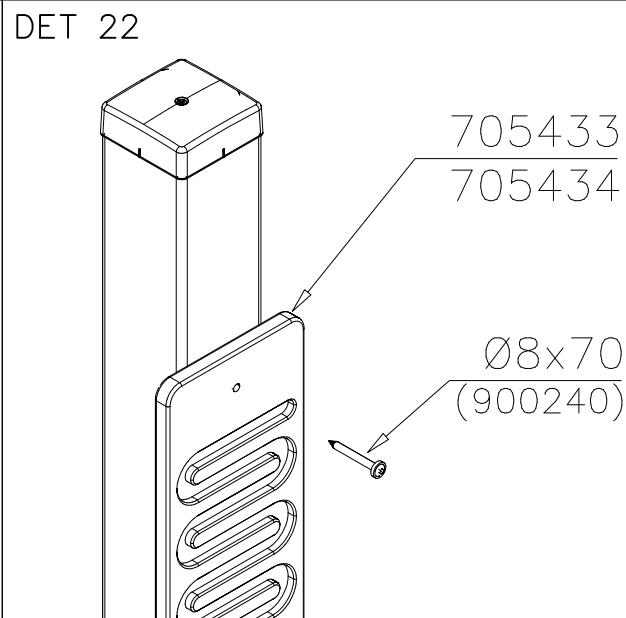
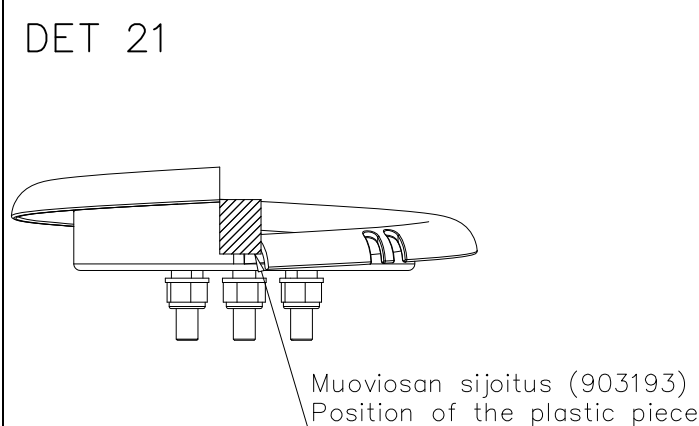
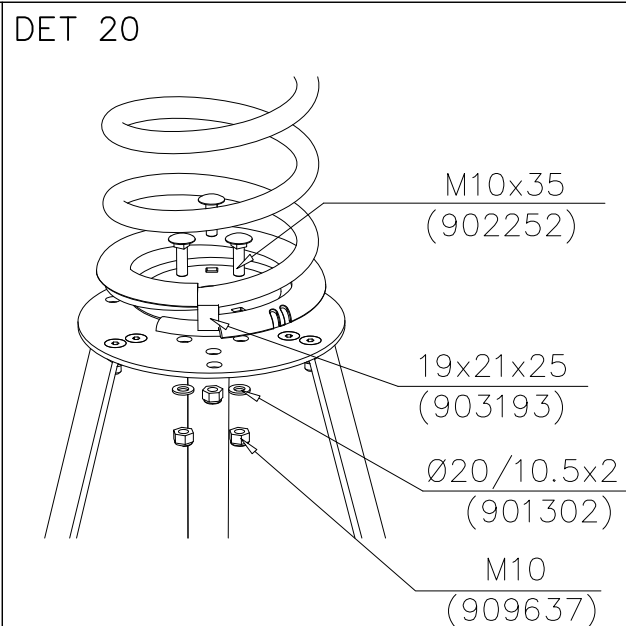
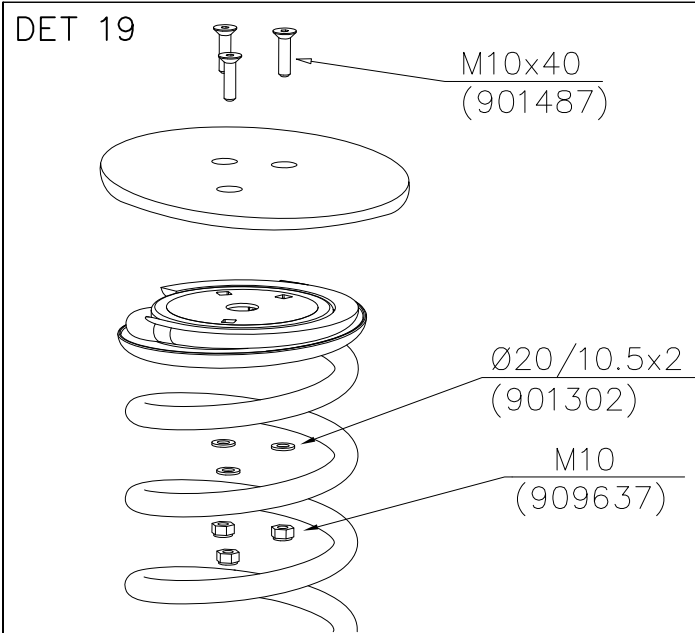
DET 59



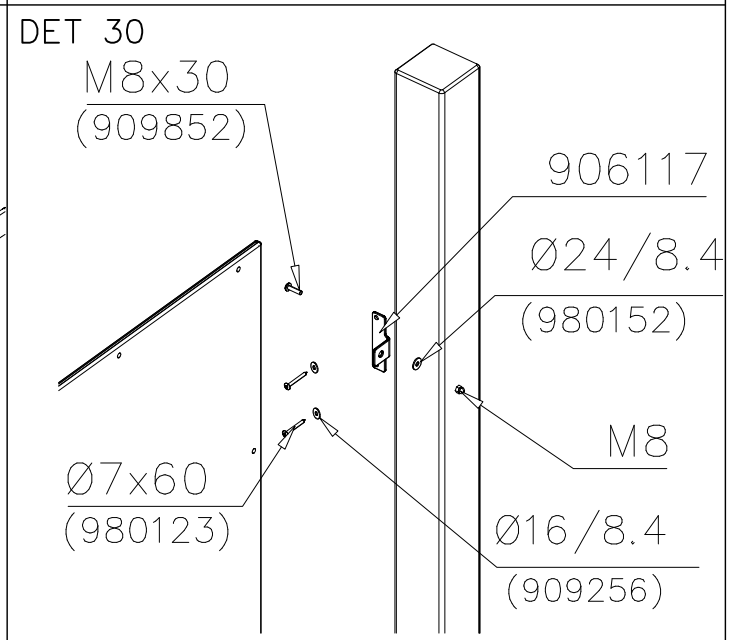
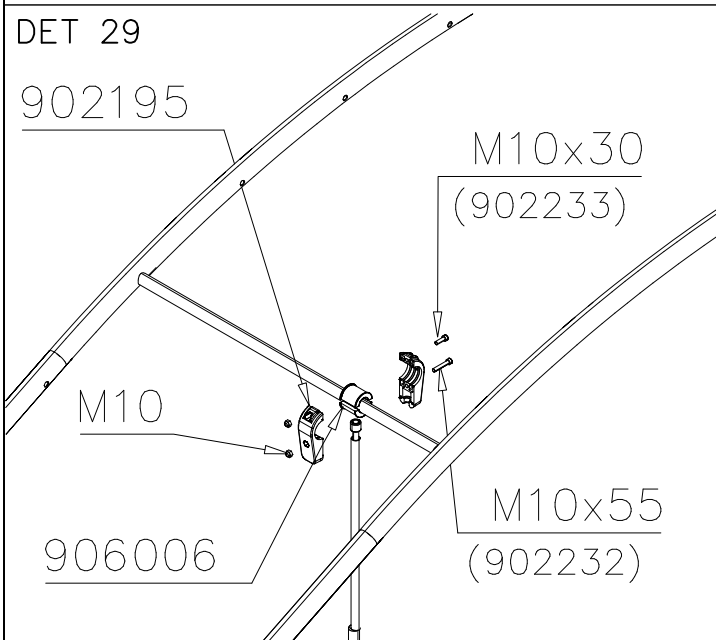
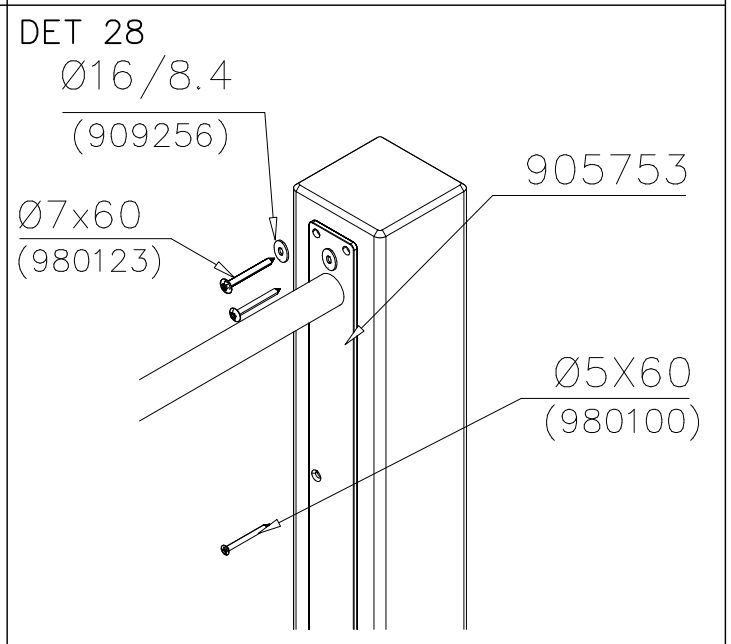
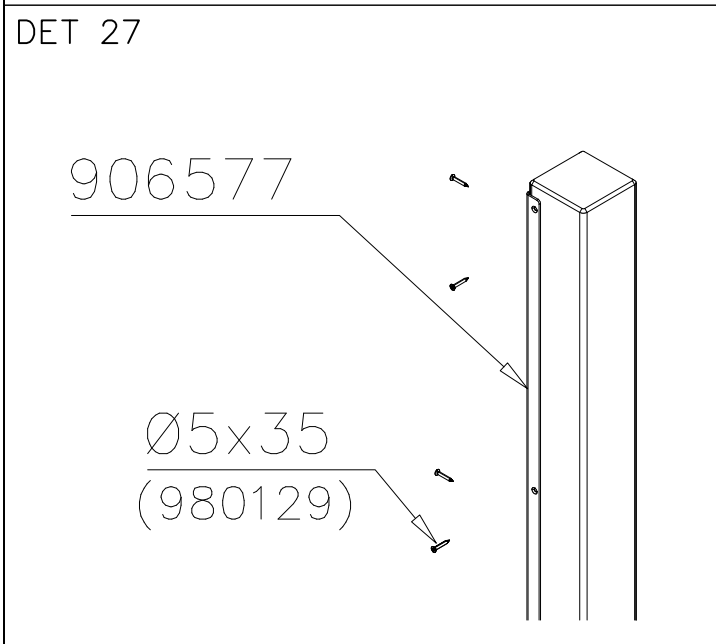
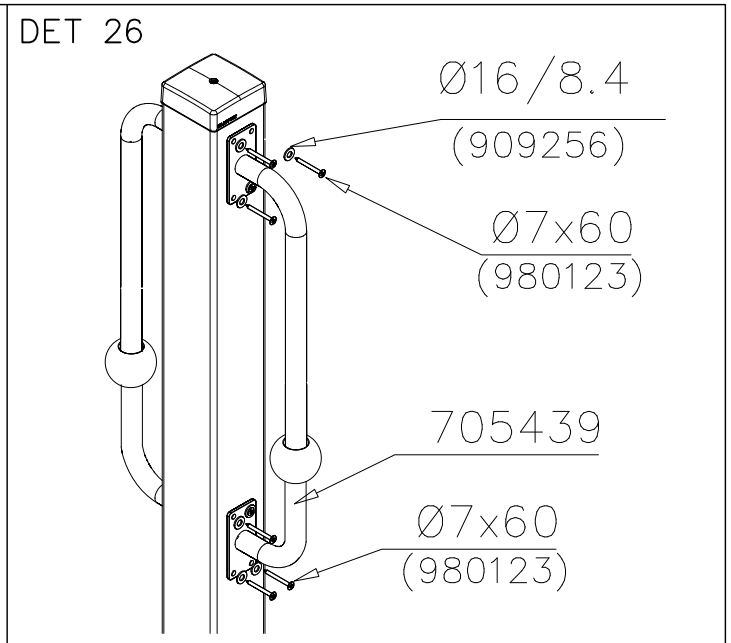
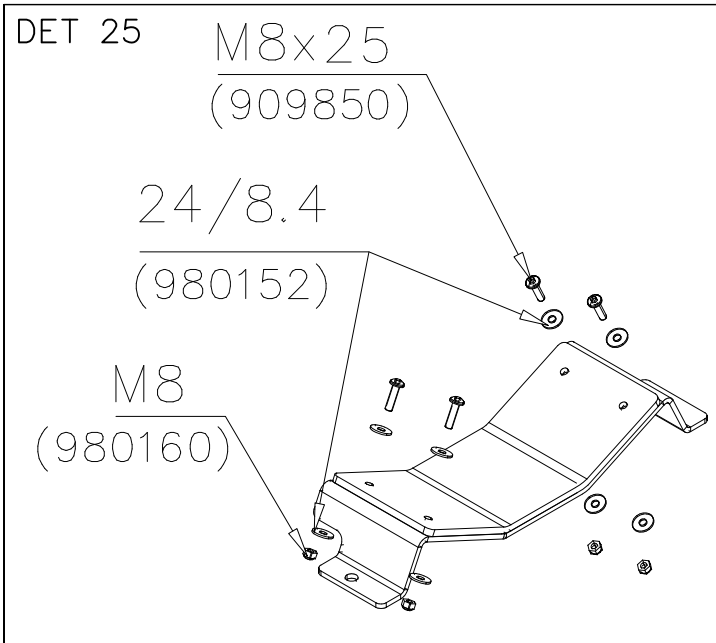




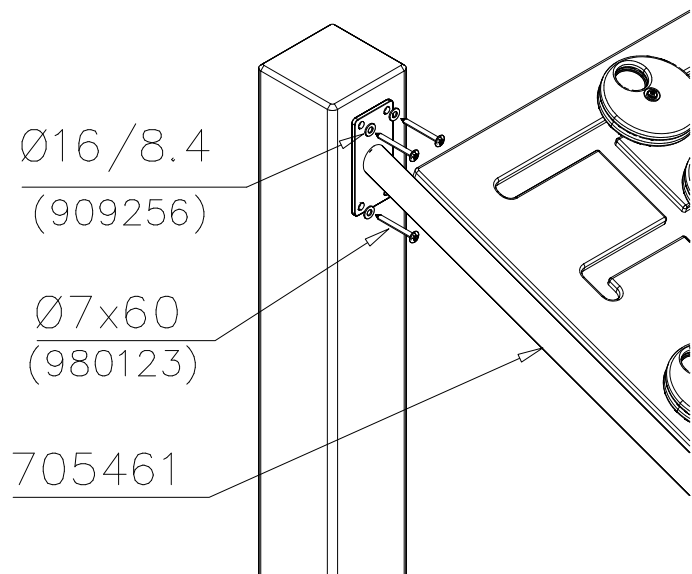




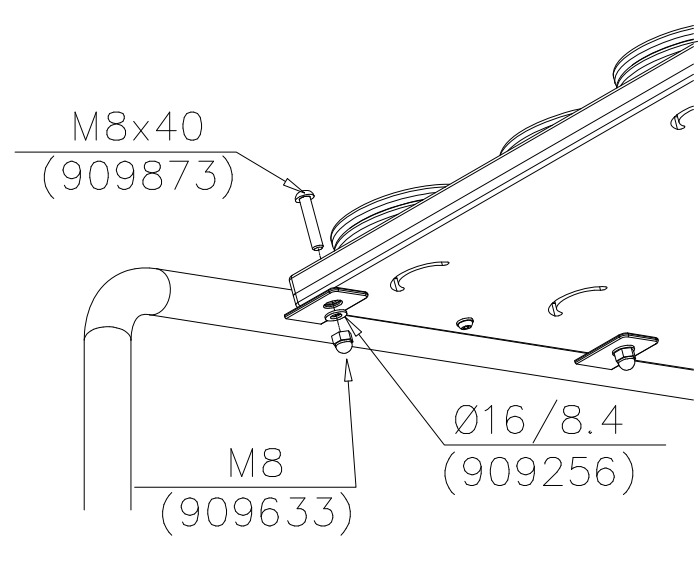
DET 24



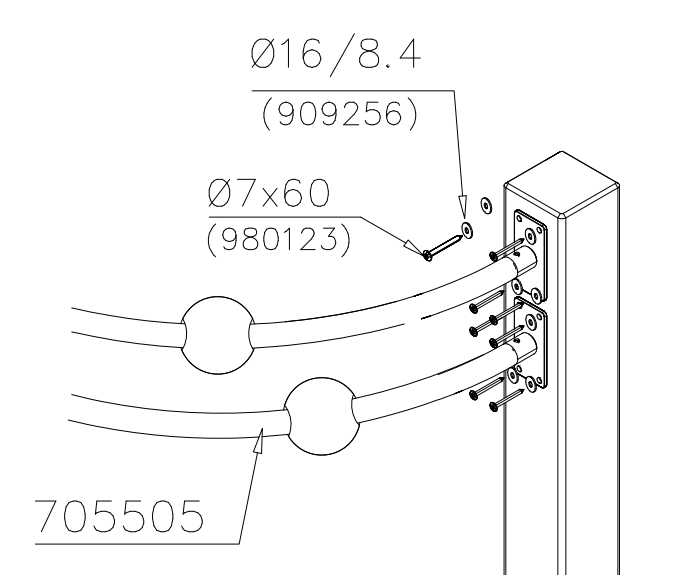
DET 31



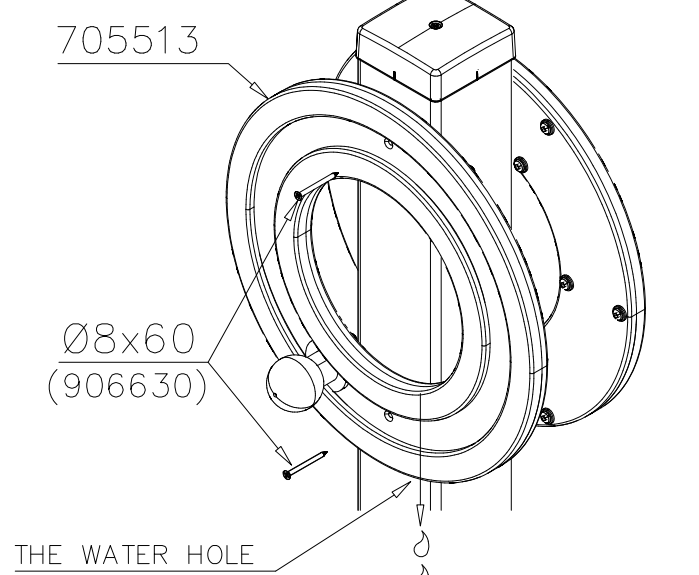
DET 32



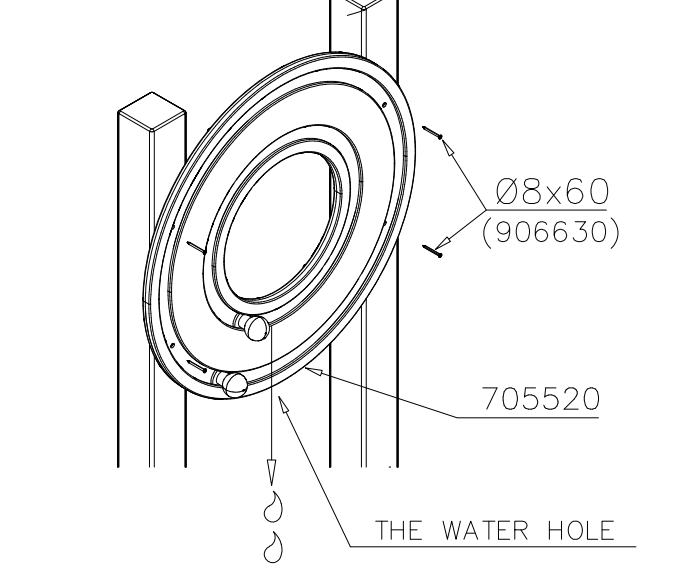
DET 33



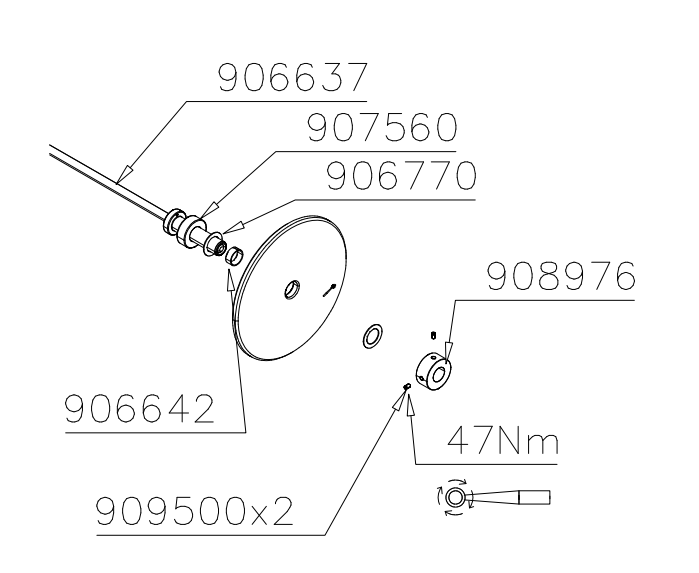
DET 34

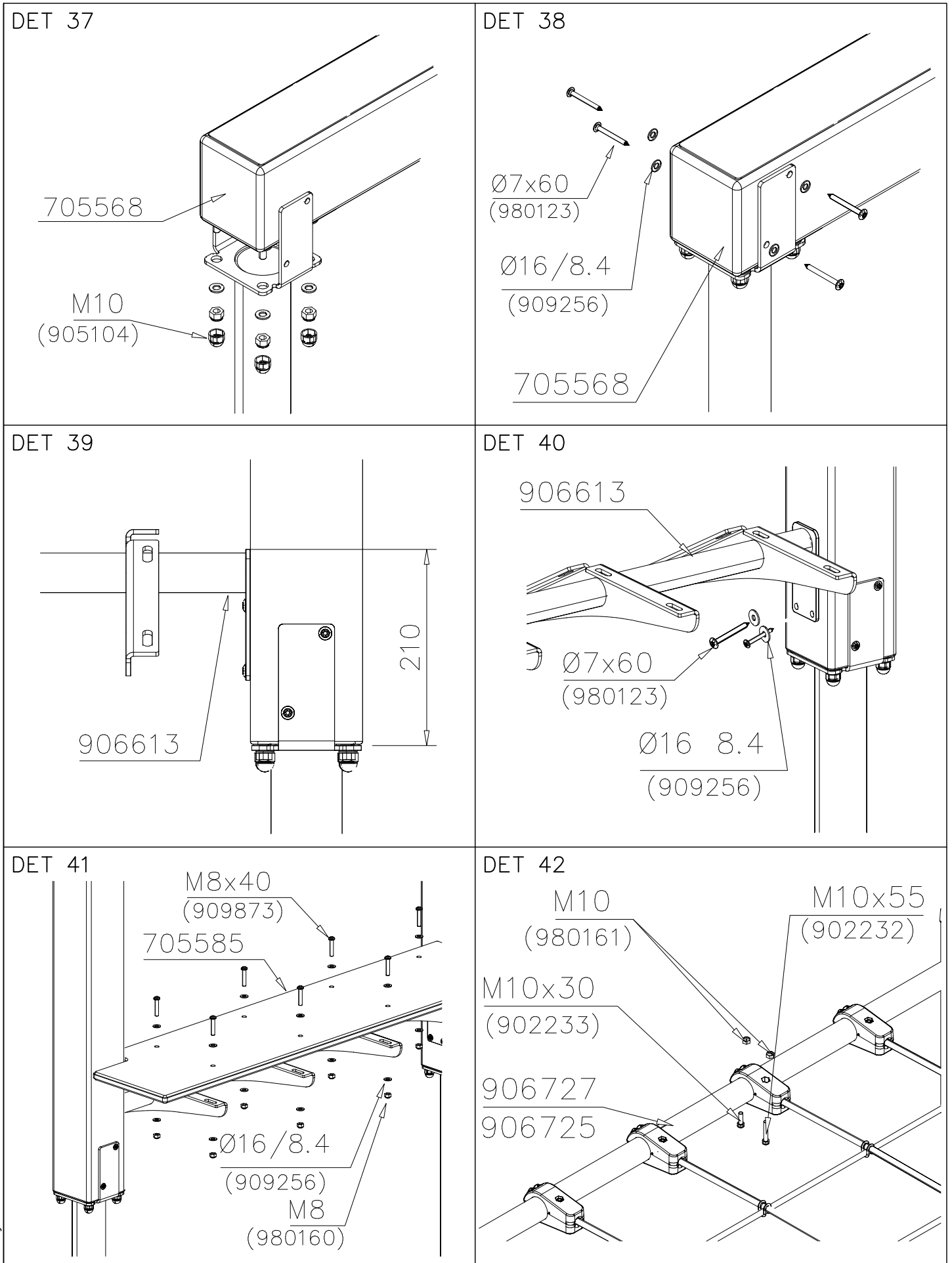


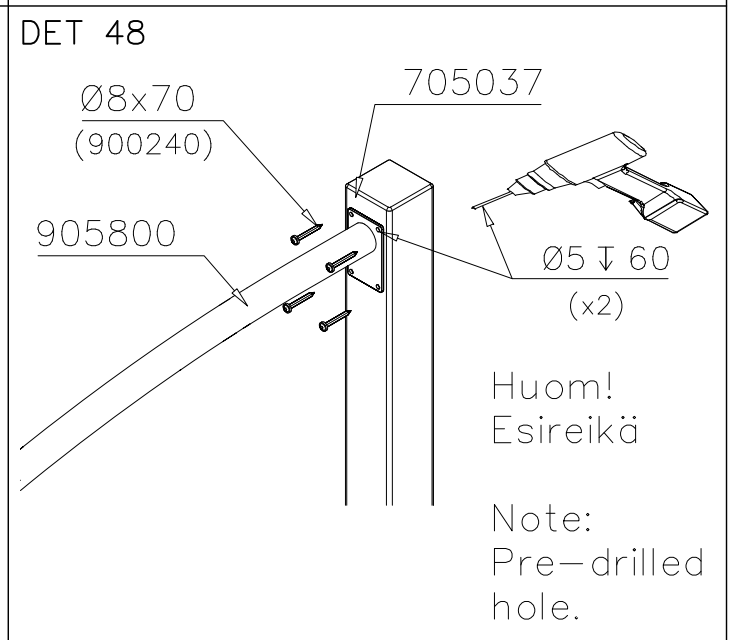
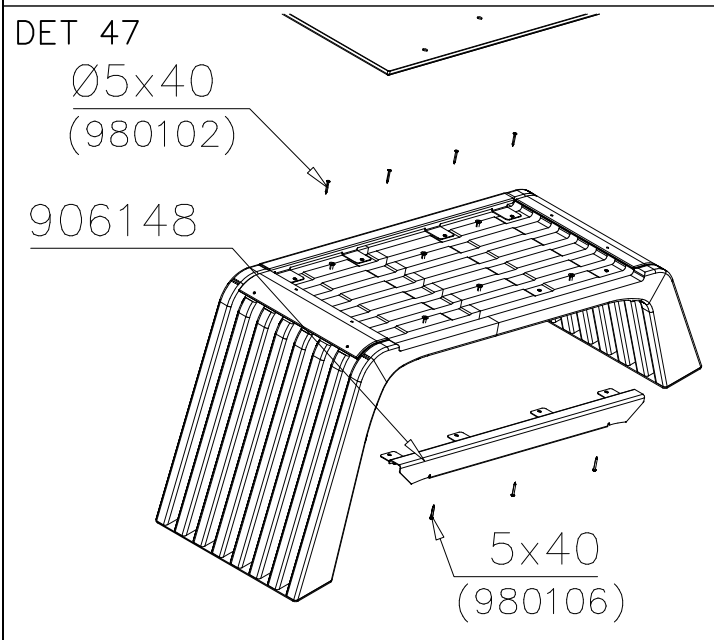
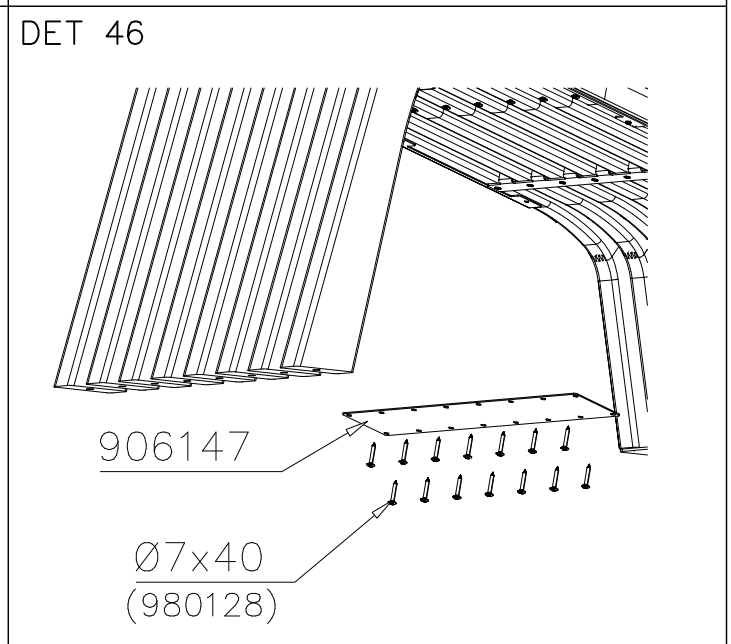
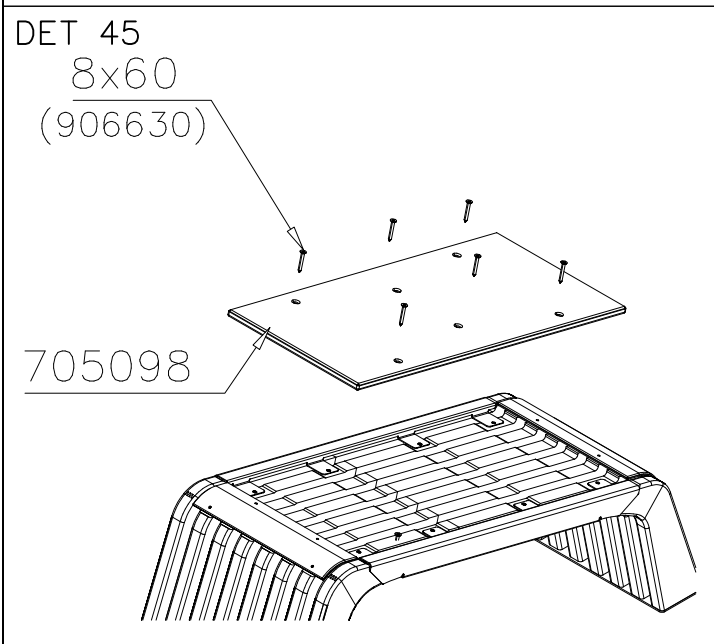
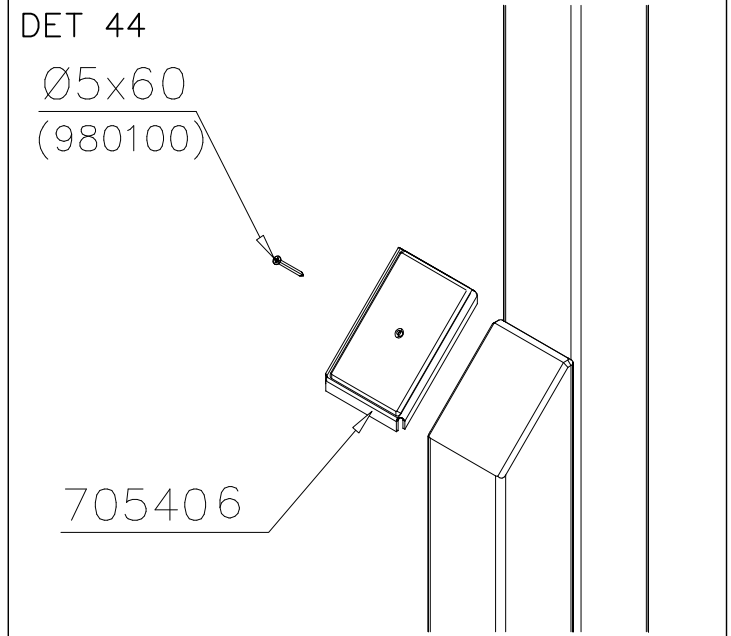
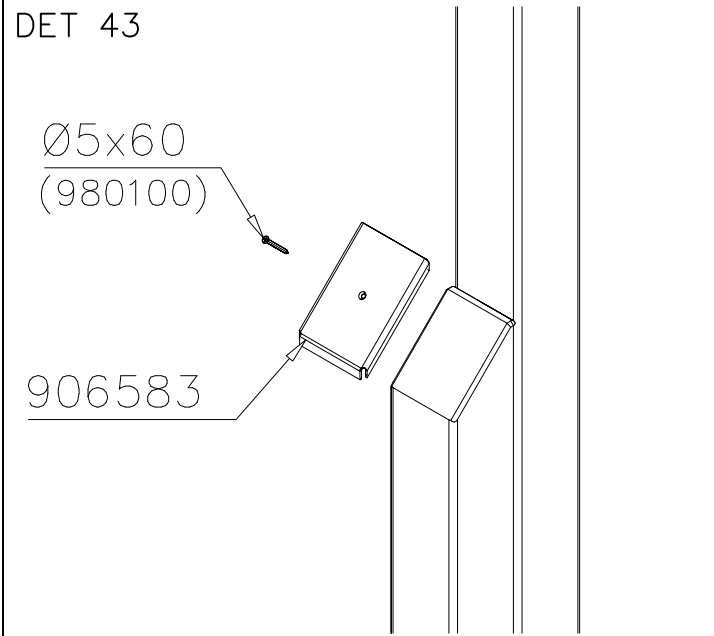
DET 35

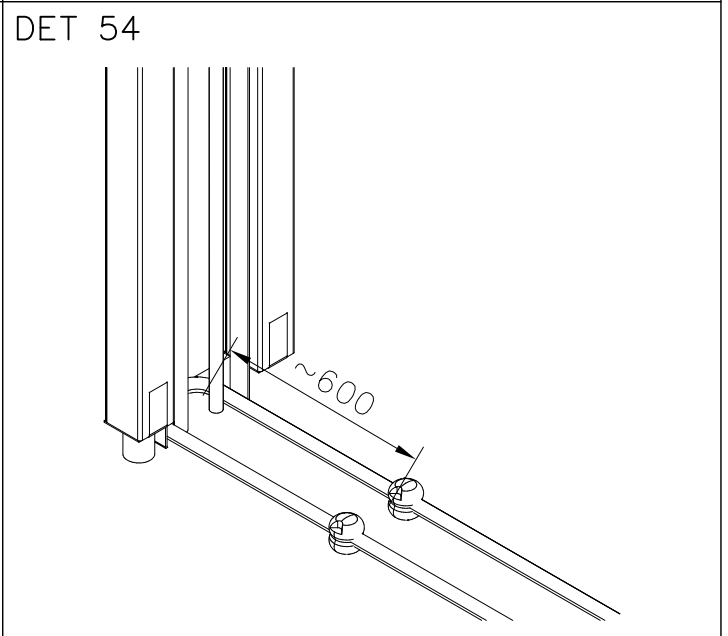
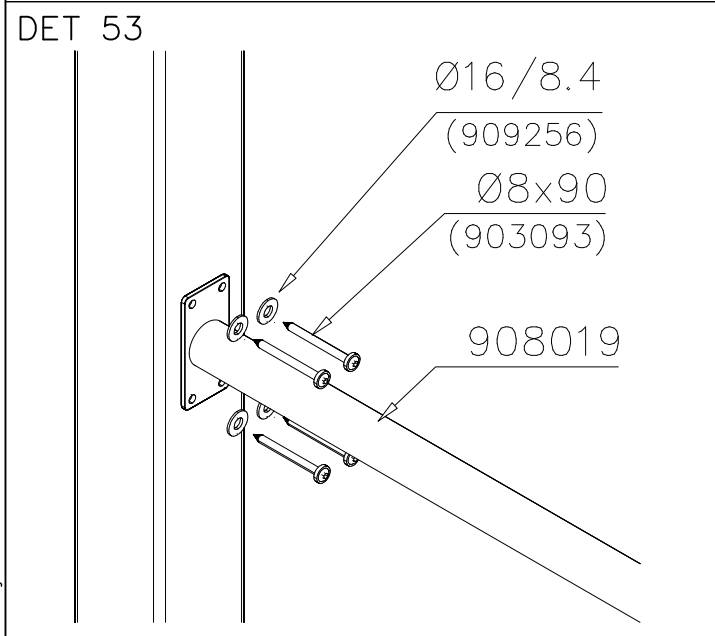
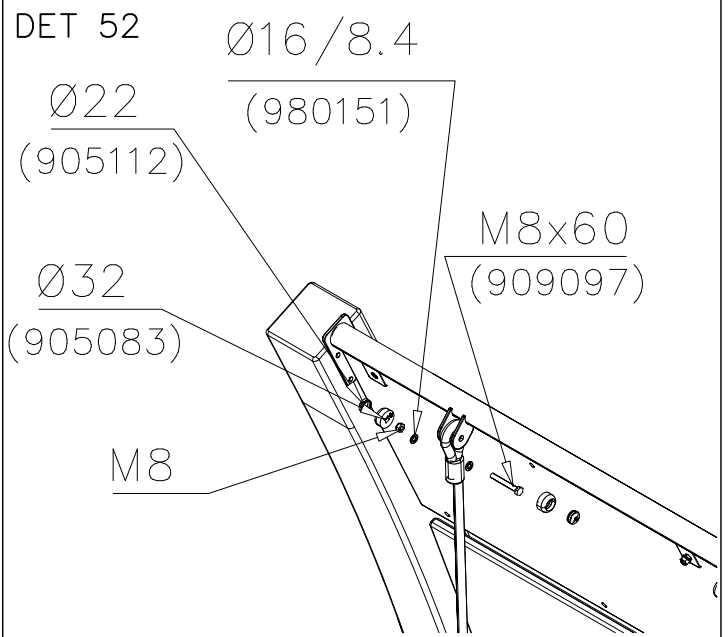
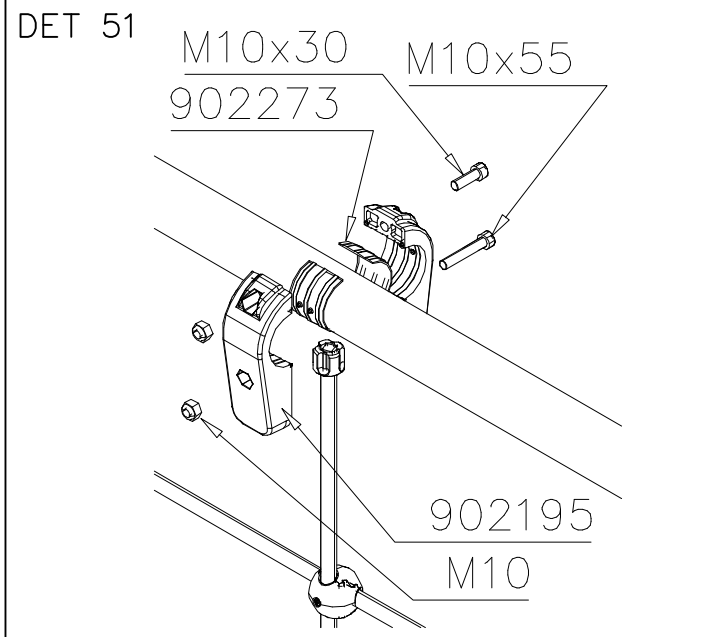
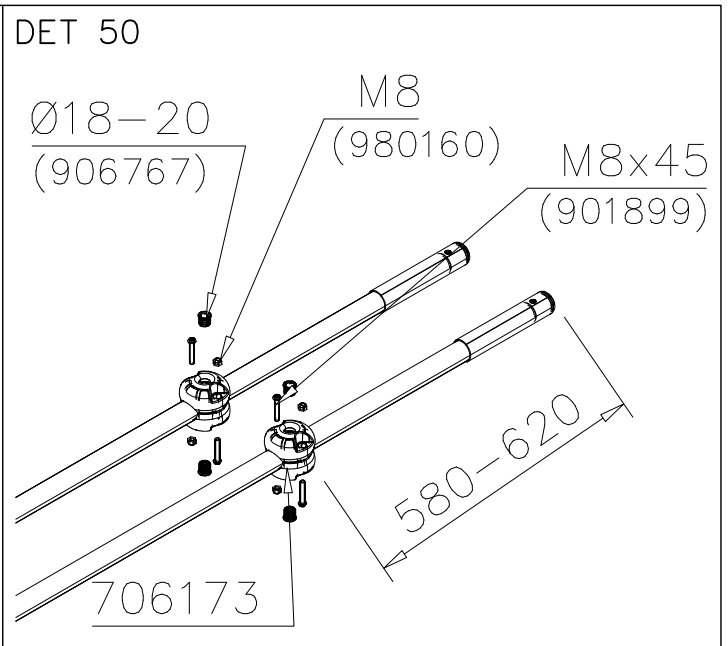
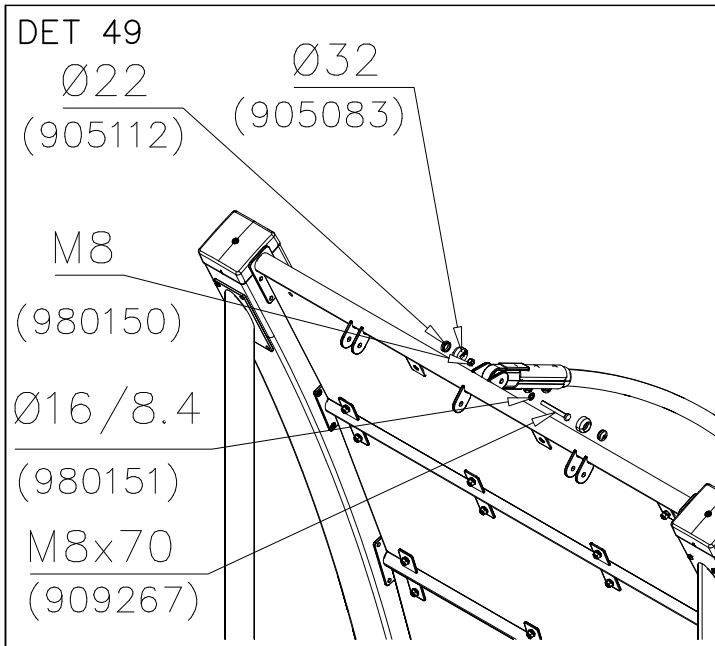


DET 36

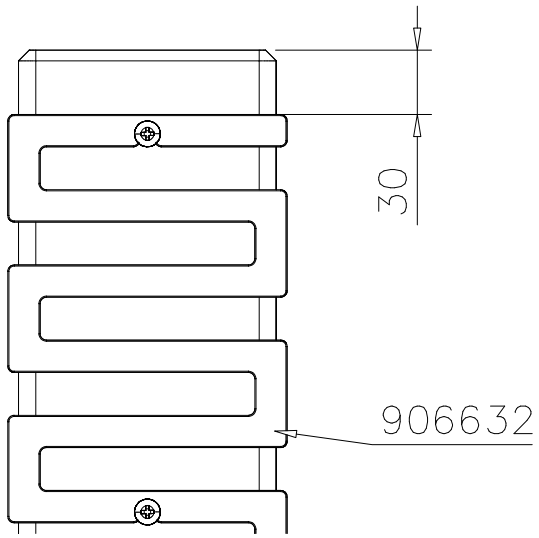




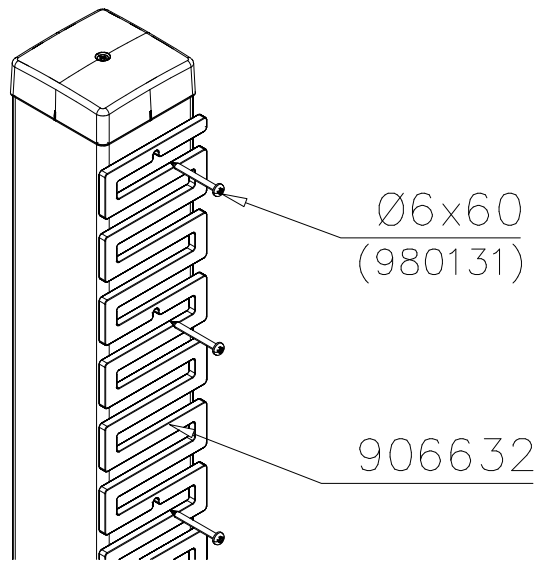




DET 55



DET 56



DET 57

DET 58

DET 59

DET 60