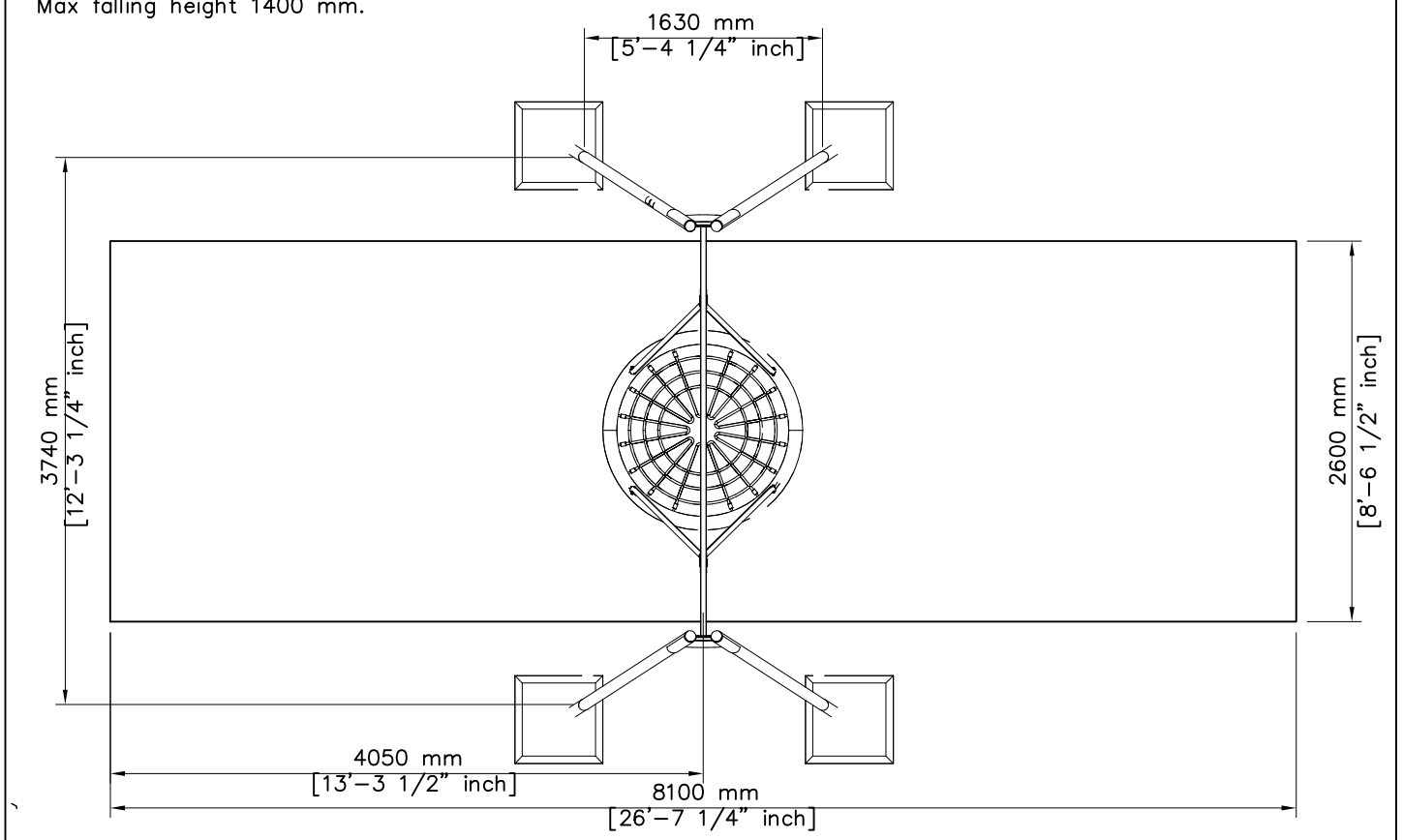
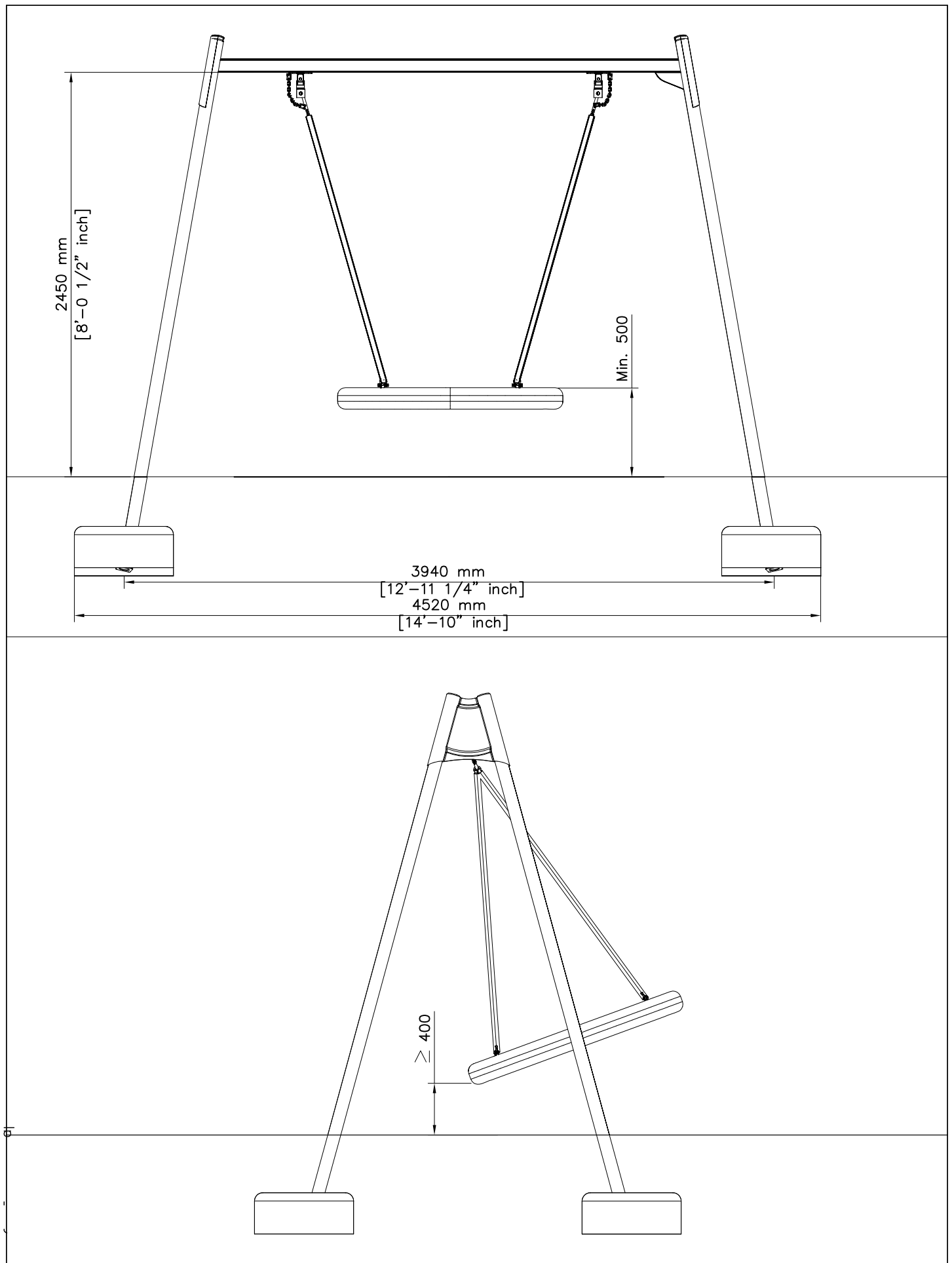
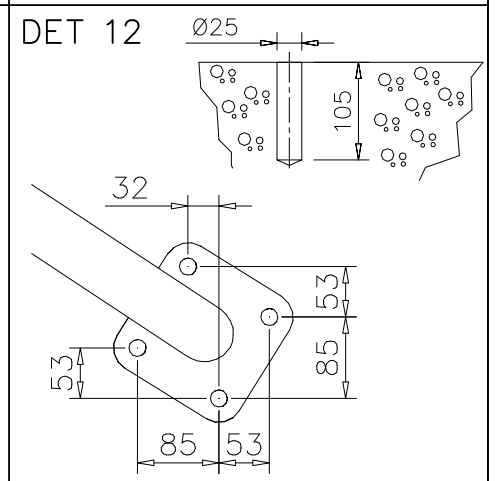
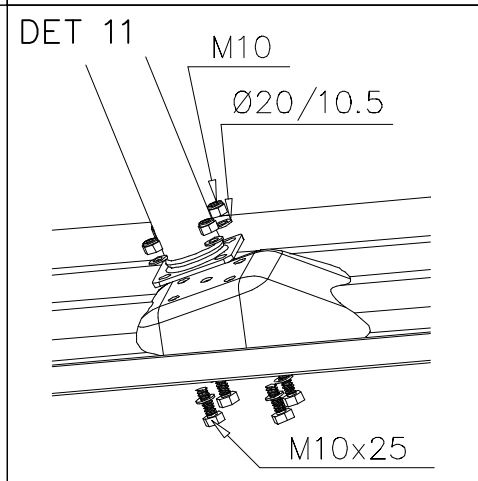
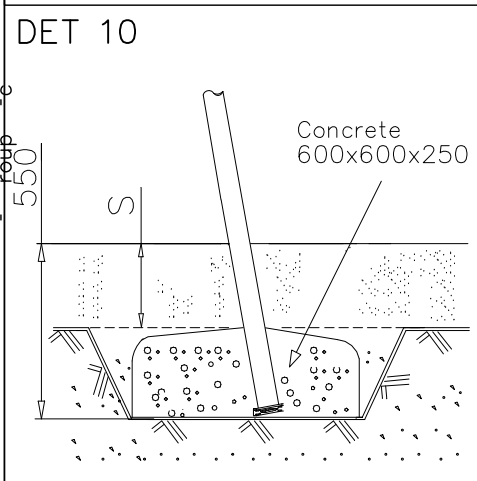
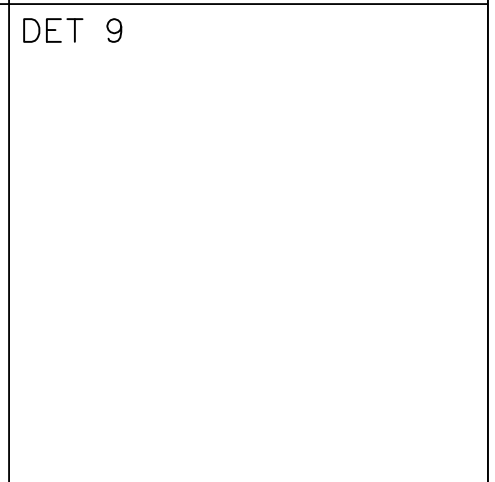
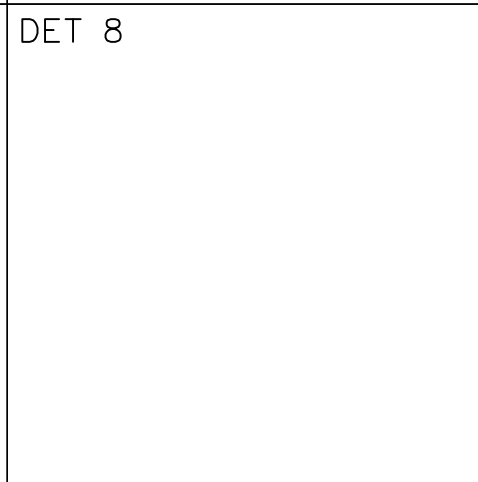
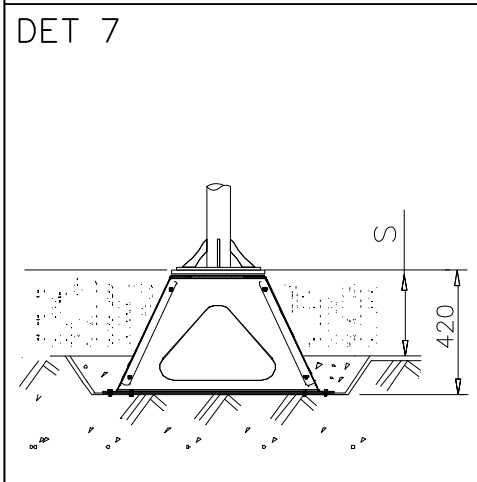
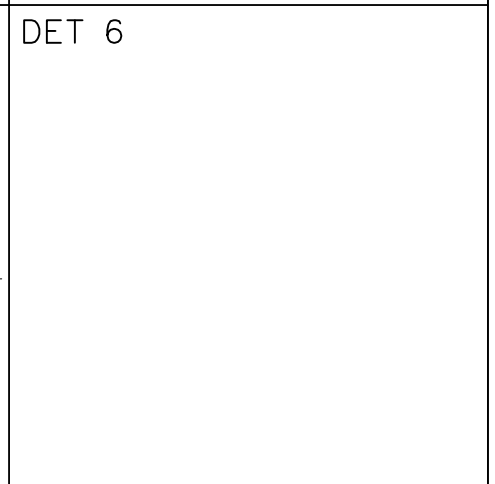
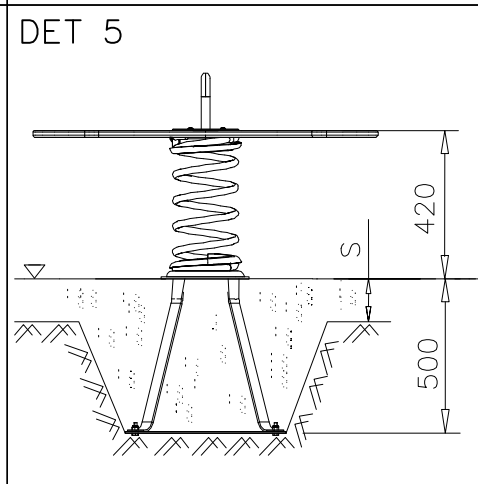
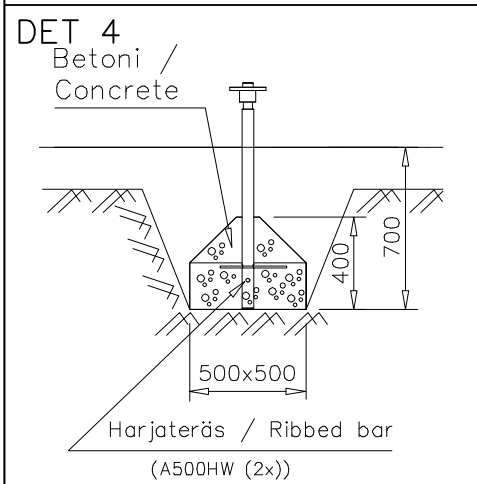
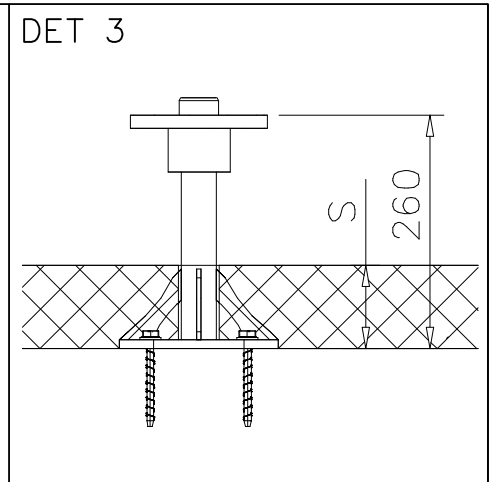
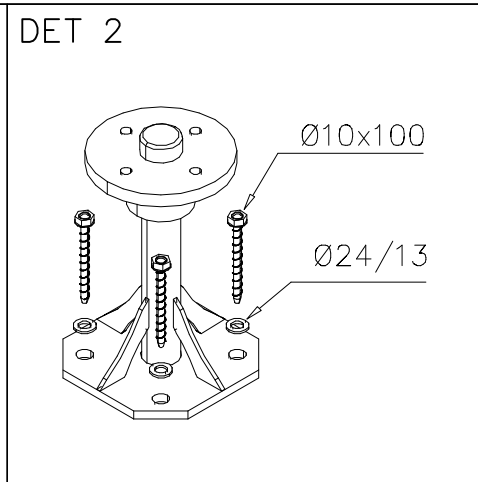
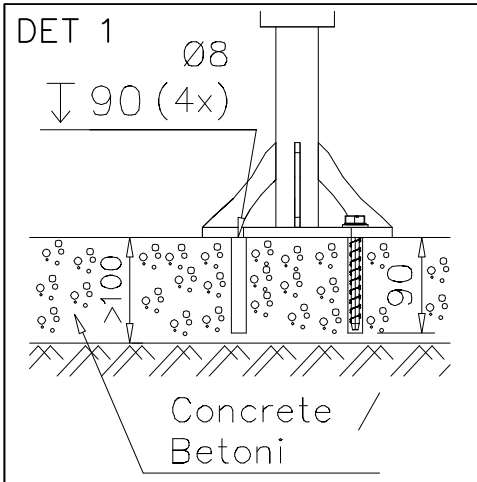


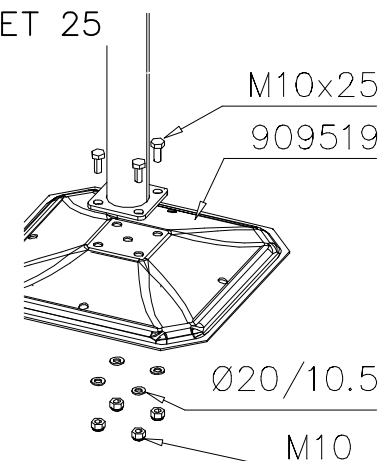
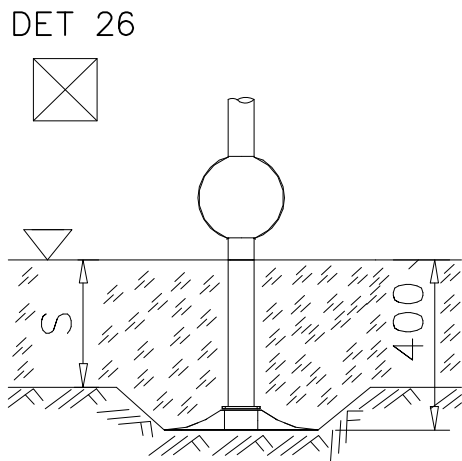
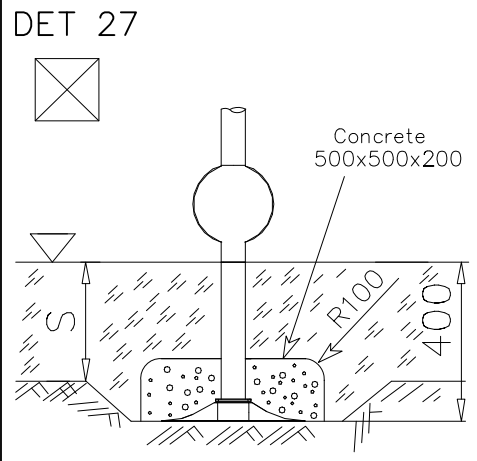
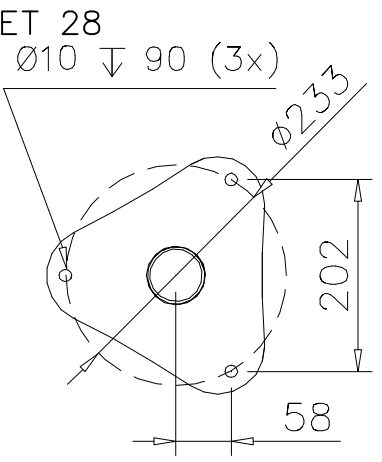
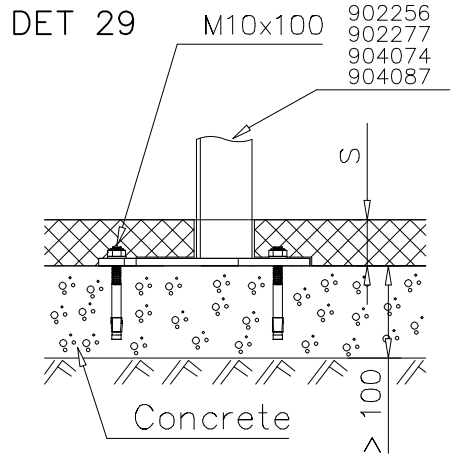
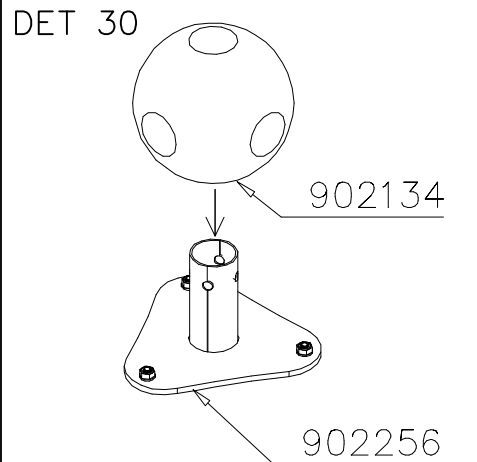
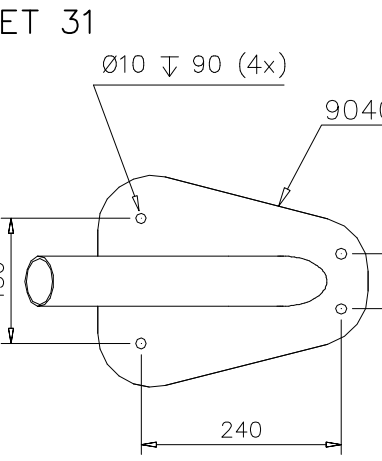
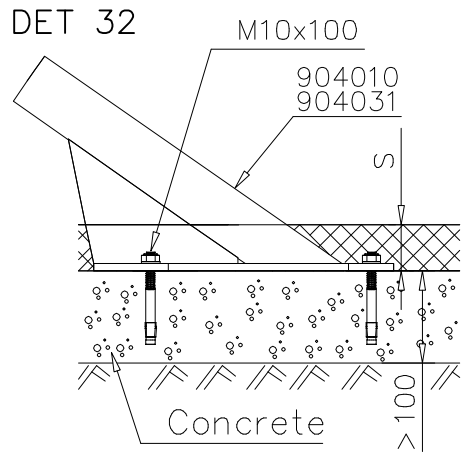
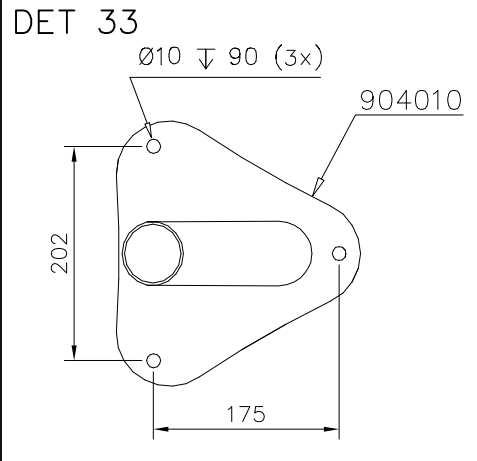
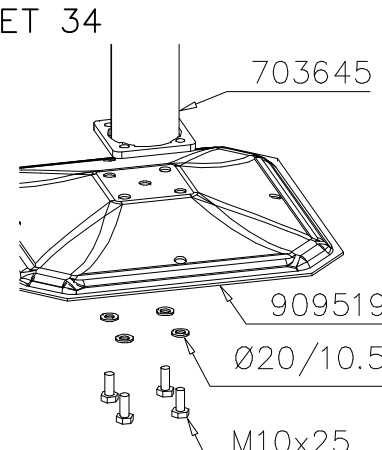
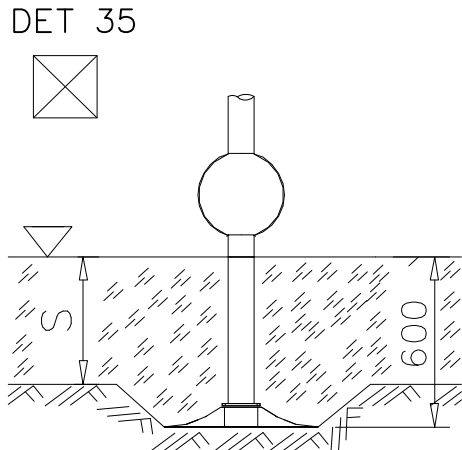
EN Impact Area 21.1 m²
 Falling space 21.1 m²
 Max falling height 1400 mm.









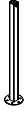












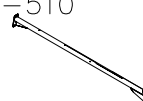
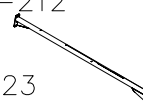










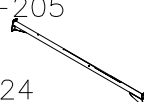
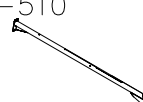
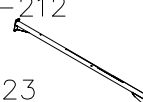


<p>DET 13</p> <p>140 Nm</p> <p>M16x110 Ø30/17x3</p>	<p>DET 14</p>	<p>DET 15</p>
<p>DET 16</p> <p>M12x60 Ø24/13 M12</p>	<p>DET 17</p> <p>M12x35 Ø24/13 M12</p>	<p>DET 18</p> <p>Concrete 500x500x200</p> <p>Ø24/13 600</p> <p>Harjateräs / Ribbed bar (A500HW) (2x)</p>
<p>DET 19</p> <p>ATT! Drilling can be done via hole in rotating flange.</p> <p>Ø8 80 (4x)</p> <p>Concrete / Betoni</p> <p>>100</p>	<p>DET 20</p> <p>Ø10x100 Ø24/13</p>	<p>DET 21</p> <p>110</p> <p>Concrete / Betoni</p>
<p>DET 22</p> <p>M8 Ø16/8.4 M8x40</p>	<p>DET 23</p> <p>Ø10 ↓ 90 (4x)</p> <p>Betoni / Concrete</p> <p>Safety surface</p> <p>>100</p>	<p>DET 24</p> <p>M10 M10x100</p>

<p>DET 25</p>  <p>M10x25 909519 Ø20/10.5 M10</p>	<p>DET 26</p>  <p>400</p>	<p>DET 27</p>  <p>Concrete 500x500x200 R100 400</p>
<p>DET 28</p>  <p>Ø10 ∇ 90 (3x) Ø233 202 58</p>	<p>DET 29</p>  <p>M10x100 902256 902277 904074 904087 Concrete 100</p>	<p>DET 30</p>  <p>902134 902256</p>
<p>DET 31</p>  <p>Ø10 ∇ 90 (4x) 904031 150 240 66</p>	<p>DET 32</p>  <p>M10x100 904010 904031 Concrete 100</p>	<p>DET 33</p>  <p>Ø10 ∇ 90 (3x) 904010 202 175</p>
<p>DET 34</p>  <p>703645 909519 Ø20/10.5 M10x25</p>	<p>DET 35</p>  <p>600</p>	<p>DET 36</p>

COLOUR OPTIONS

DATE: 11.1.2017

220001M, 220002M				
POST DEEP 260x260x1700	905171-205 RAL 7024 	905171-510 HDG 	905171-212 RAL 9023 	
POST SURFACE 260x260x1700	905171-205 RAL 7024 	905171-510 HDG 	905171-212 RAL 9023 	
220061M				
POST DEEP 121x121x2947	904435-205 RAL 7024 	904435-510 HDG 	904435-212 RAL 9023 	
POST SURFACE 145x150x2412	904432-205 RAL 7024 	904432-510 HDG 	904432-212 RAL 9023 	
PLATE 51x440x499	904422-205 RAL 7024 	904422-510 HDG 	904422-213 RAL 1018 	904422-212 RAL 9023 
BOOM 88x237x2942	904428-205 RAL 7024 	904428-510 HDG 	904428-212 RAL 9023 	
220062M				
POST DEEP 121x121x3367	904436-205 RAL 7024 	904436-510 HDG 	904436-212 RAL 9023 	
POST SURFACE 145x150x2832	904424-205 RAL 7024 	904424-510 HDG 	904424-212 RAL 9023 	
PLATE 51x440x499	904422-205 RAL 7024 	904422-510 HDG 	904422-213 RAL 1018 	904422-212 RAL 9023 
BOOM 88x237x2942	904428-205 RAL 7024 	904428-510 HDG 	904428-212 RAL 9023 	

WINAM GROUP

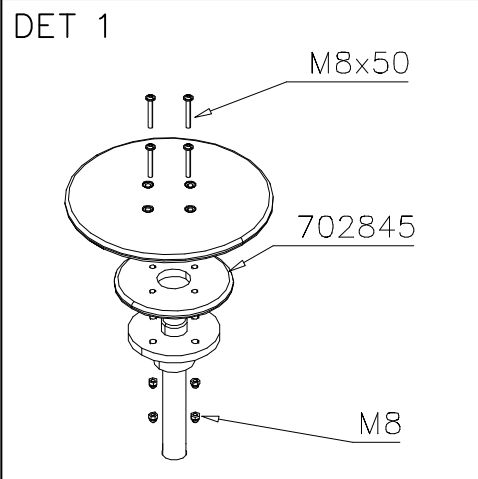
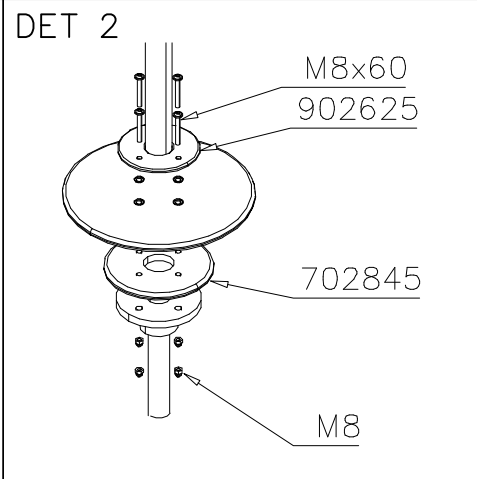

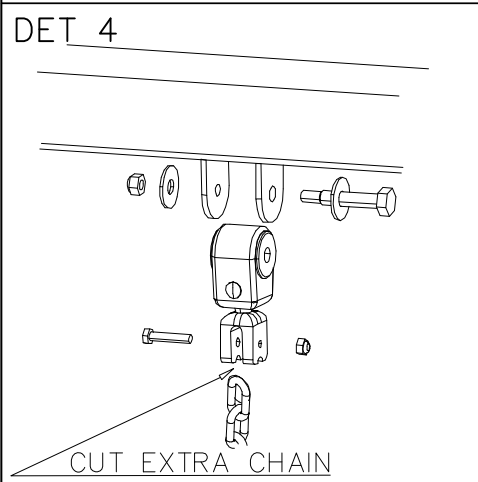
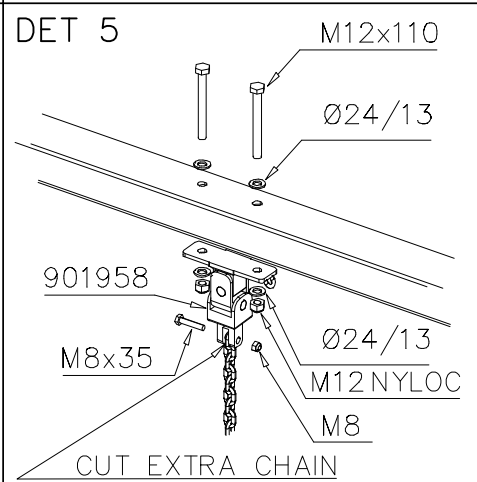
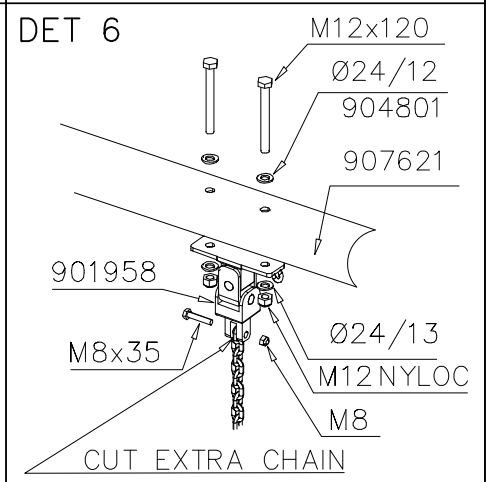
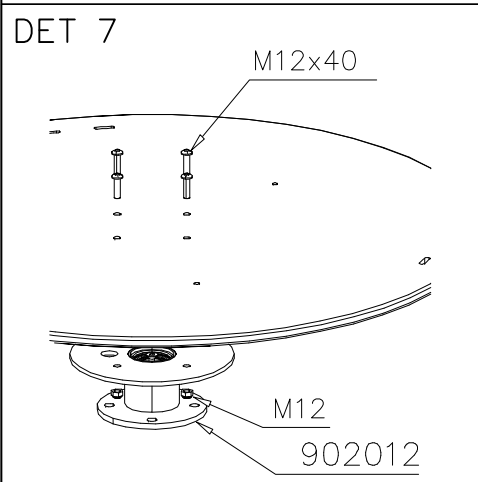
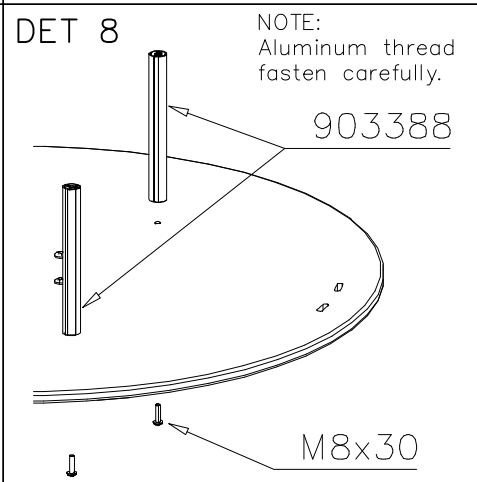
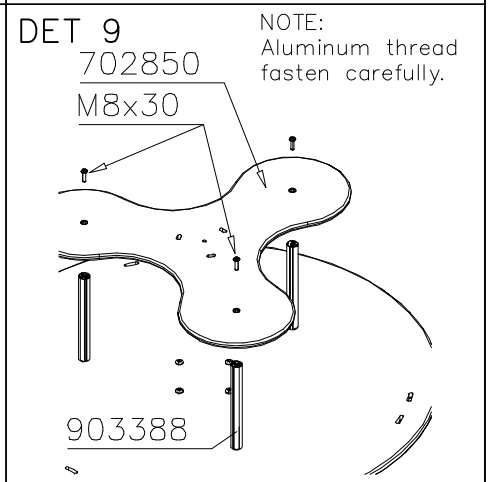
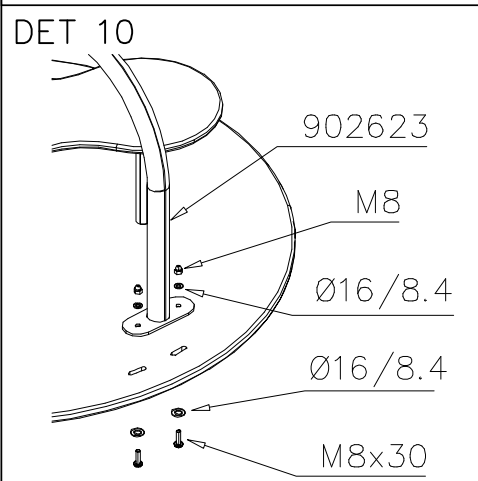
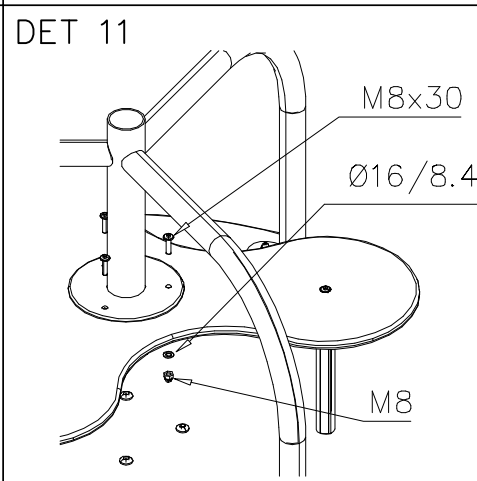
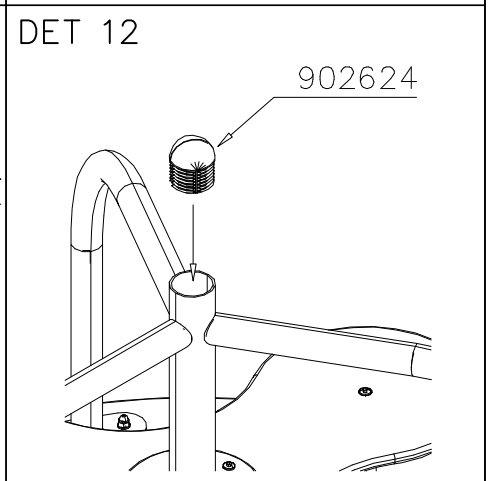
COLOUR OPTIONS

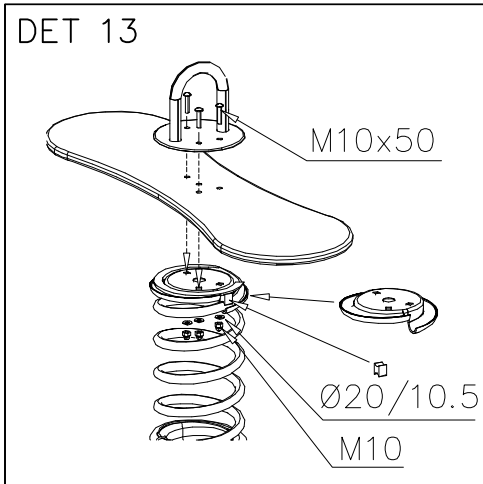
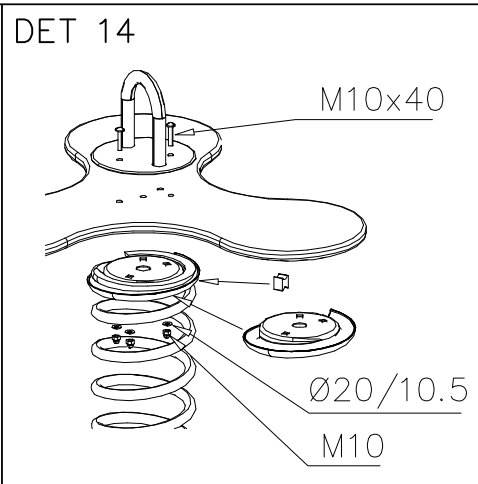
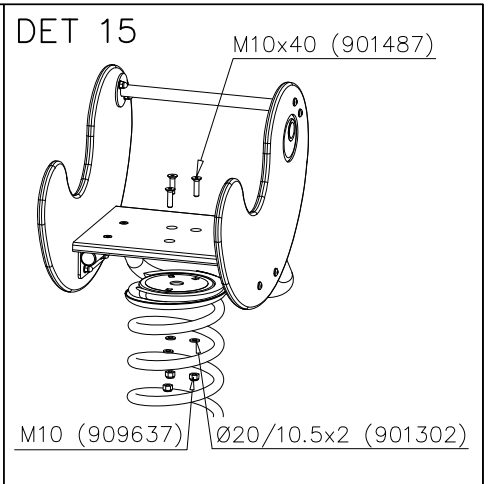
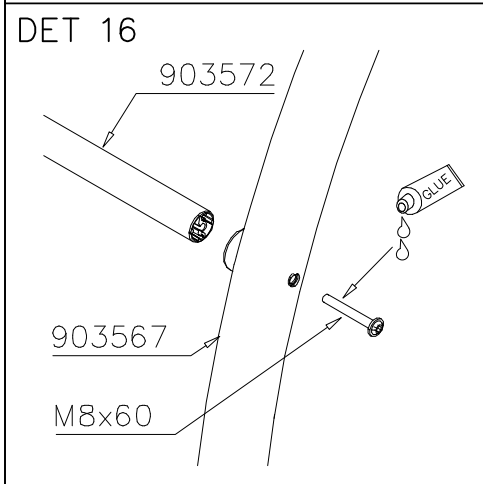
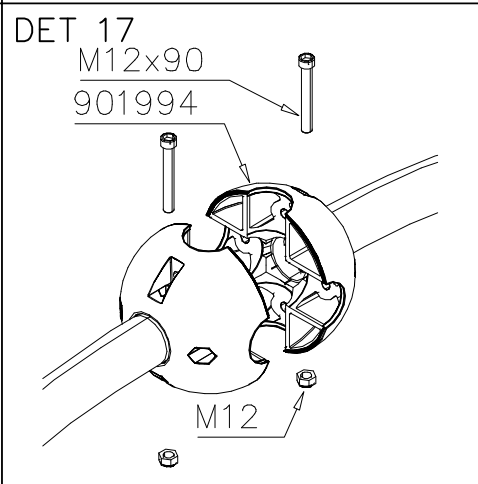
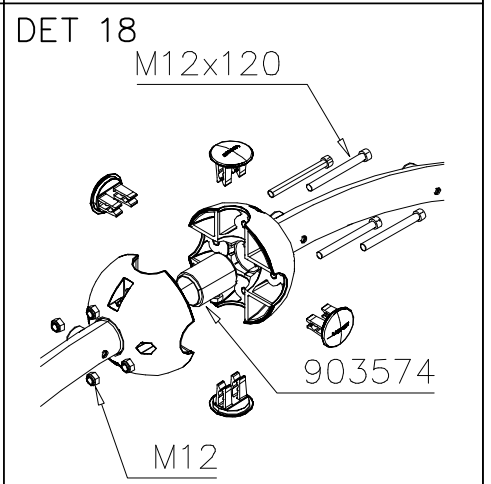
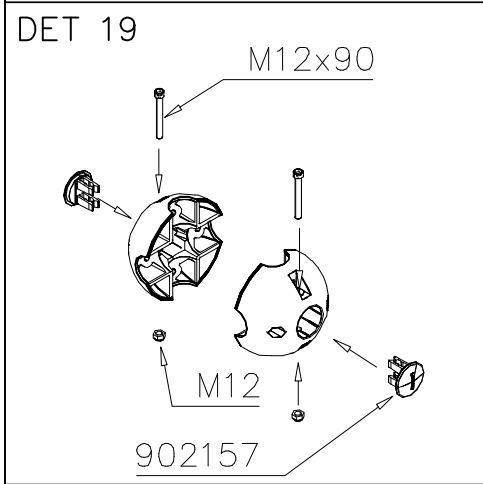
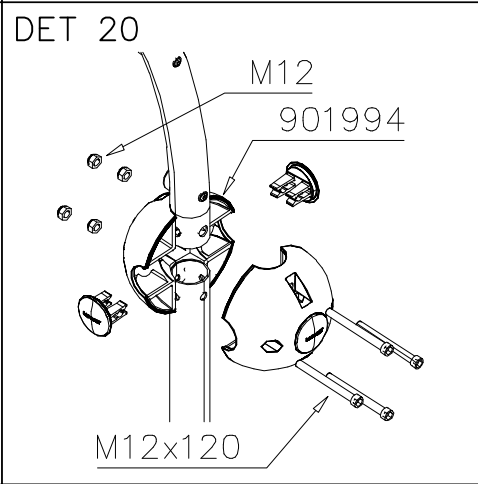
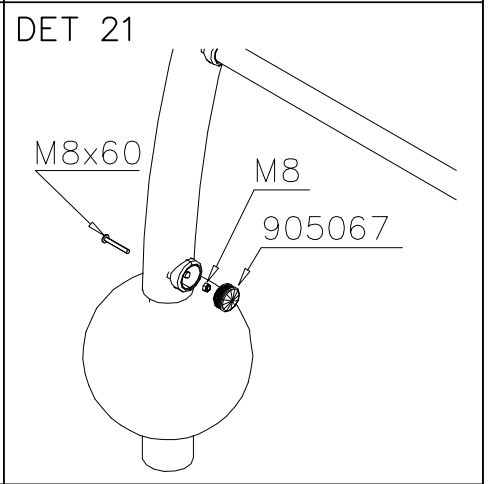
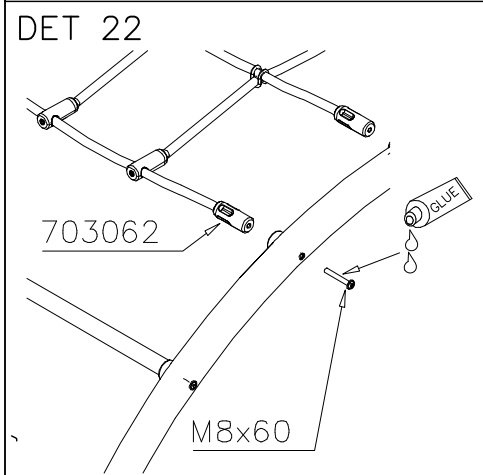

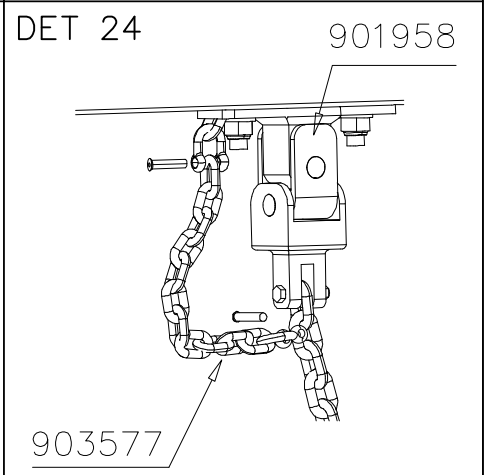
METAL SWINGS

DATE: 11.1.2017



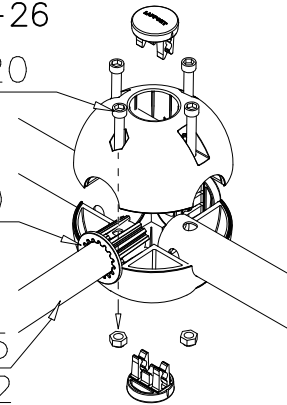
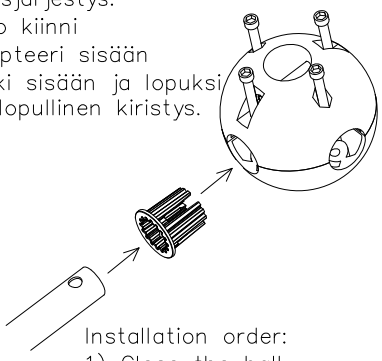
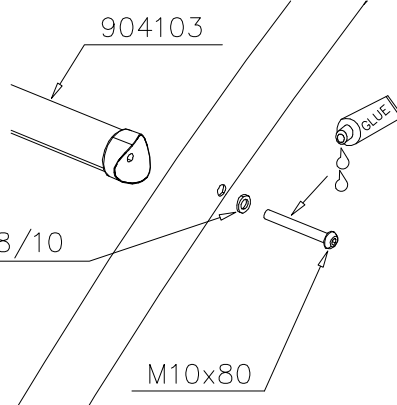
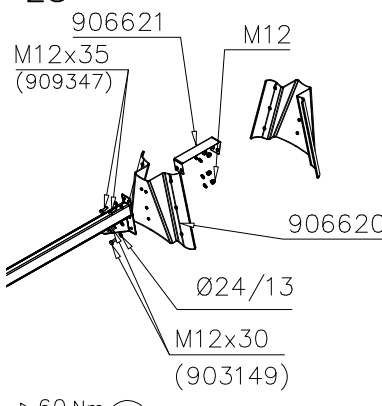
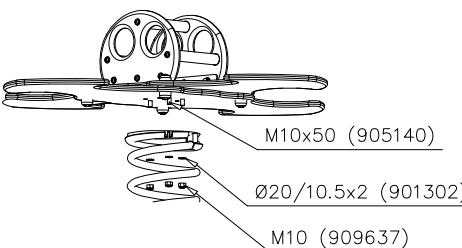
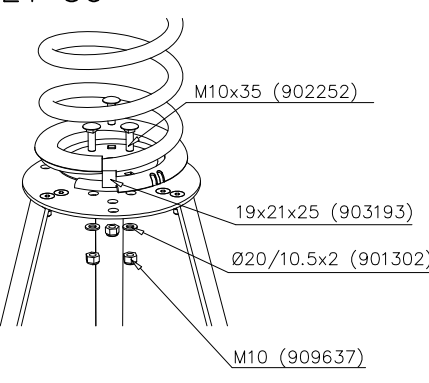
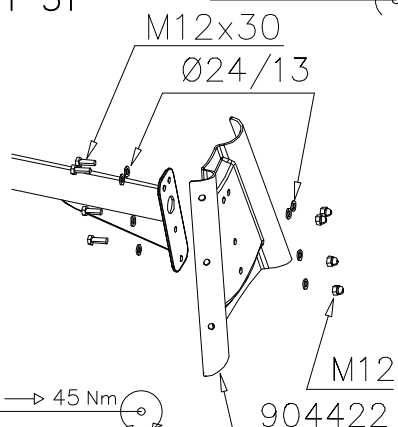
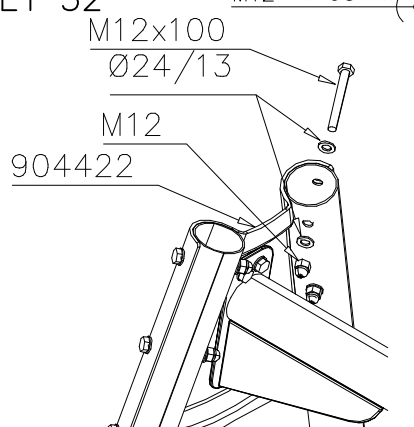
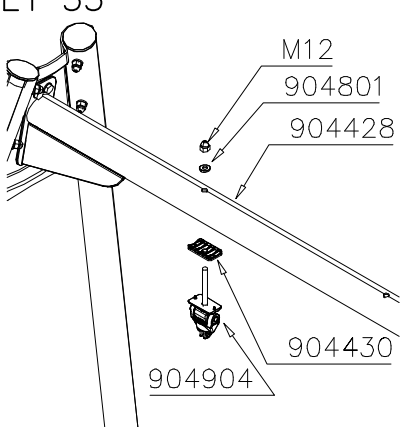
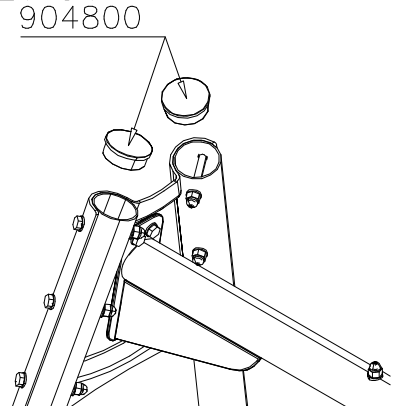
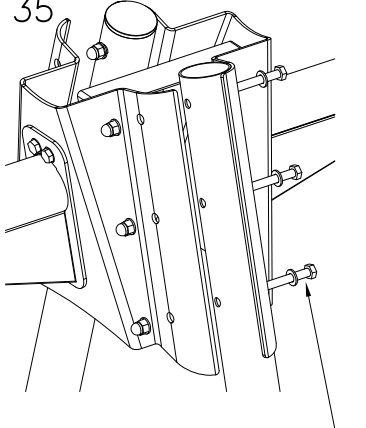

220066M				
POST DEEP 121x121x3367	904436-205 RAL 7024	904436-510 HDG	904436-212 RAL 9023	
POST SURFACE 145x150x2832	904424-205 RAL 7024	904424-510 HDG	904424-212 RAL 9023	
PLATE 51x440x499	904422-205 RAL 7024	904422-510 HDG	904422-213 RAL 1018	904422-212 RAL 9023
BOOM 88x237x2942	905636-205 RAL 7024	905636-510 HDG	905636-212 RAL 9023	
220005				
POST DEEP 350x350x2590	904700-205 RAL 7024			
POST SURFACE 175x175x2386	904484-205 RAL 7024			
PLATE 70x211x582	904548-205 RAL 7024			
BOOM 96x261x3100	904491-205 RAL 7024			

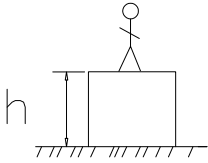



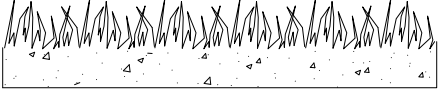
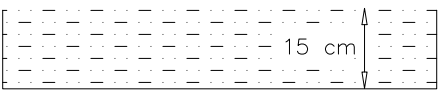
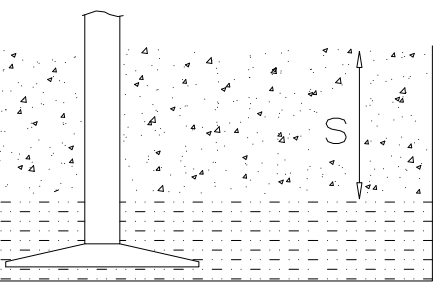
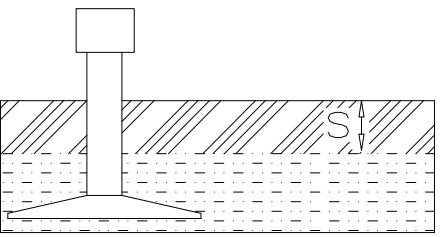
<p>DET 1</p>  <p>M8x50</p> <p>702845</p> <p>M8</p>	<p>DET 2</p>  <p>M8x60</p> <p>902625</p> <p>702845</p> <p>M8</p>	<p>DET 3</p> 
<p>DET 4</p>  <p>CUT EXTRA CHAIN</p>	<p>DET 5</p>  <p>M12x110</p> <p>Ø24/13</p> <p>901958</p> <p>M8x35</p> <p>Ø24/13</p> <p>M12 NYLOC</p> <p>M8</p> <p>CUT EXTRA CHAIN</p>	<p>DET 6</p>  <p>M12x120</p> <p>Ø24/12</p> <p>904801</p> <p>907621</p> <p>901958</p> <p>M8x35</p> <p>Ø24/13</p> <p>M12 NYLOC</p> <p>M8</p> <p>CUT EXTRA CHAIN</p>
<p>DET 7</p>  <p>M12x40</p> <p>M12</p> <p>902012</p>	<p>DET 8</p>  <p>NOTE: Aluminum thread fasten carefully.</p> <p>903388</p> <p>M8x30</p>	<p>DET 9</p>  <p>NOTE: Aluminum thread fasten carefully.</p> <p>702850</p> <p>M8x30</p> <p>903388</p>
<p>DET 10</p>  <p>902623</p> <p>M8</p> <p>Ø16/8.4</p> <p>Ø16/8.4</p> <p>M8x30</p>	<p>DET 11</p>  <p>M8x30</p> <p>Ø16/8.4</p> <p>M8</p>	<p>DET 12</p>  <p>902624</p>

<p>DET 13</p>  <p>M10x50</p> <p>Ø20/10.5</p> <p>M10</p>	<p>DET 14</p>  <p>M10x40</p> <p>Ø20/10.5</p> <p>M10</p>	<p>DET 15</p>  <p>M10x40 (901487)</p> <p>M10 (909637)</p> <p>Ø20/10.5x2 (901302)</p>
<p>DET 16</p>  <p>903572</p> <p>903567</p> <p>M8x60</p> <p>GLUE</p>	<p>DET 17</p>  <p>M12x90</p> <p>901994</p> <p>M12</p>	<p>DET 18</p>  <p>M12x120</p> <p>903574</p> <p>M12</p>
<p>DET 19</p>  <p>M12x90</p> <p>M12</p> <p>902157</p>	<p>DET 20</p>  <p>M12</p> <p>901994</p> <p>M12x120</p>	<p>DET 21</p>  <p>M8x60</p> <p>M8</p> <p>905067</p>
<p>DET 22</p>  <p>703062</p> <p>M8x60</p> <p>GLUE</p>	<p>DET 23</p> 	<p>DET 24</p>  <p>901958</p> <p>903577</p>

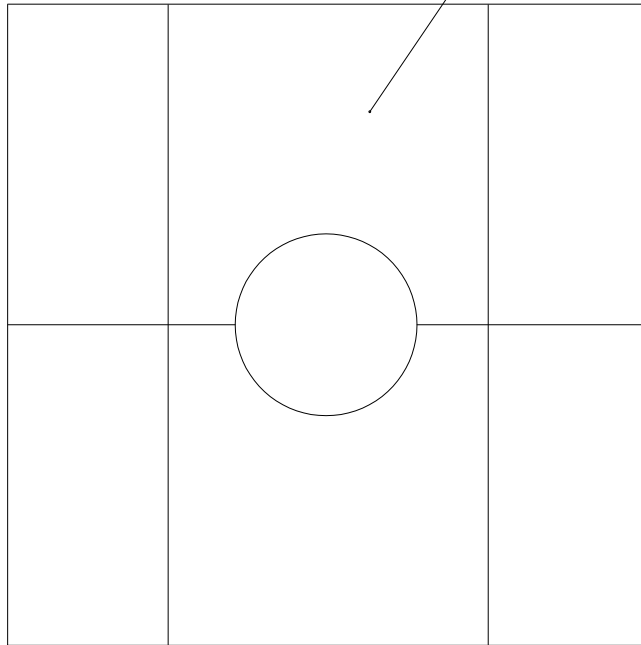
CLOXX / FINNO ABC

DATE: 12.9.2017

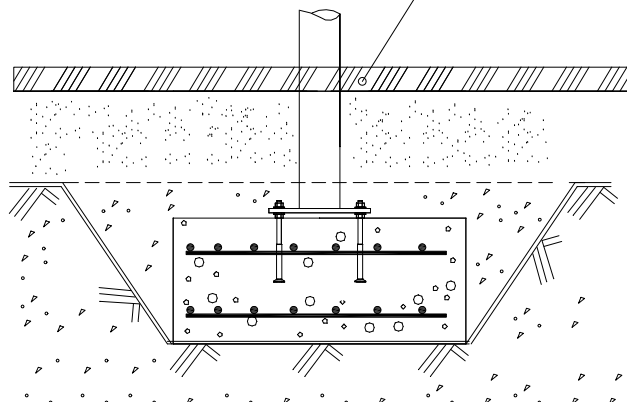
<p>DET 25-26</p> <p>M12x120</p> <p>904100</p> <p>904015</p> <p>904102</p> <p>Kun putken pää osuu adapterin kynsiin, adapteri tiukentuu paikoilleen.</p> 	<p>Asennusjärjestys:</p> <ol style="list-style-type: none"> 1) Pallo kiinni 2) Adapteri sisään 3) putki sisään ja lopuksi pallon lopullinen kiristys. <p>Installation order:</p> <ol style="list-style-type: none"> 1) Close the ball 2) Insert adapter 3) Insert tube and tighten screws. 	<p>DET 27</p> <p>904103</p> <p>Ø18/10</p> <p>M10x80</p> 
<p>DET 28</p> <p>906621</p> <p>M12x35 (909347)</p> <p>M12</p> <p>906620</p> <p>Ø24/13</p> <p>M12x30 (903149)</p> <p>M12 → 60 Nm</p> 	<p>DET 29</p> <p>M10x50 (905140)</p> <p>Ø20/10.5x2 (901302)</p> <p>M10 (909637)</p> 	<p>DET 30</p> <p>M10x35 (902252)</p> <p>19x21x25 (903193)</p> <p>Ø20/10.5x2 (901302)</p> <p>M10 (909637)</p> 
<p>DET 31</p> <p>M12 → 60 Nm</p> <p>M12x30</p> <p>Ø24/13</p> <p>M12</p> <p>904422</p> <p>M10 → 45 Nm</p> 	<p>DET 32</p> <p>M12 → 60 Nm</p> <p>M12x100</p> <p>Ø24/13</p> <p>M12</p> <p>904422</p> 	<p>DET 33</p> <p>M12</p> <p>904801</p> <p>904428</p> <p>904430</p> <p>904904</p> 
<p>DET 34</p> <p>904800</p> 	<p>DET 35</p> <p>M12x110</p> 	<p>DET 36</p> 

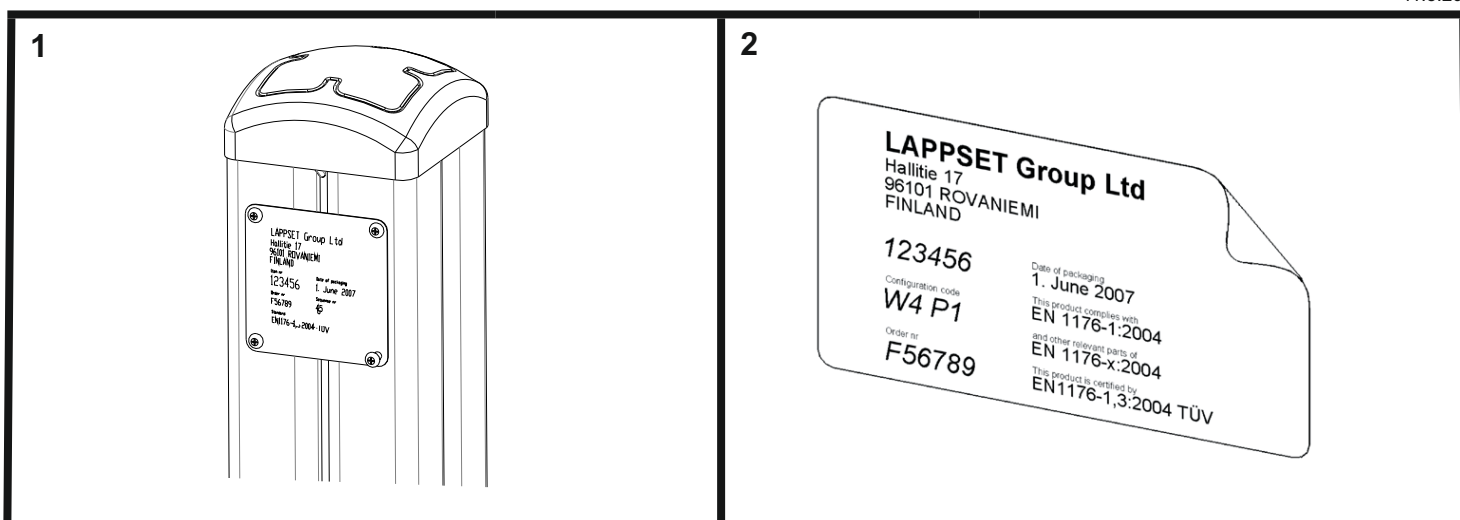
												
<p>$h < 600$</p> <p>Without movement and therefore without Impact Area</p>	<p>Totally hard surfaces.</p> <p>Note. Lappset does <u>not recommend</u> totally hard surfaces at all.</p>	<p>E.g. concrete or asphalt</p> 										
<p>$h < 600$</p> <p>With movement e.g. rocking</p>	<p>Materials with very limited impact attenuating properties.</p>	<p>E.g. wood</p> 										
<p>$h < 1000$</p>	<p>Materials with significant impact attenuating properties.</p>	<p>fine gravel 0–8 mm</p>  <p>grass</p>  <p>unsorted sand</p> 										
<p>$h < 3000$</p>	<p>Loose fill material</p> <p>E.g. sand/gravel 0,25...8 mm D60/D10<3,0 Woodchips 5...30 mm bark 20...80 mm</p>	 <table data-bbox="1024 1691 1324 1780"> <tr> <td>\underline{S}</td> <td>\underline{h}</td> </tr> <tr> <td>30 cm</td> <td>< 2,0 m</td> </tr> <tr> <td>40 cm</td> <td>< 3,0 m</td> </tr> </table>	\underline{S}	\underline{h}	30 cm	< 2,0 m	40 cm	< 3,0 m				
\underline{S}	\underline{h}											
30 cm	< 2,0 m											
40 cm	< 3,0 m											
	<p>Syntethic granulates</p> <table data-bbox="406 1892 750 2060"> <tr> <td>\underline{S}</td> <td>\underline{h}</td> </tr> <tr> <td>40 mm</td> <td>~> 1,2...1,3 m</td> </tr> <tr> <td>50 mm</td> <td>~> 1,5...1,7 m</td> </tr> <tr> <td>60 mm</td> <td>~> 1,8...2,0 m</td> </tr> <tr> <td>70 mm</td> <td>~> 2,1...2,5 m</td> </tr> </table> <p>Note. For accurate values, see manufacturer's instructions.</p>	\underline{S}	\underline{h}	40 mm	~> 1,2...1,3 m	50 mm	~> 1,5...1,7 m	60 mm	~> 1,8...2,0 m	70 mm	~> 2,1...2,5 m	
\underline{S}	\underline{h}											
40 mm	~> 1,2...1,3 m											
50 mm	~> 1,5...1,7 m											
60 mm	~> 1,8...2,0 m											
70 mm	~> 2,1...2,5 m											

REMOVE SAFETY SURFACE/SAND/GRAVEL
TO CHECK FOUNDATION



REMOVE SAFETY SURFACE/SAND/GRAVEL
TO CHECK FOUNDATION





Tuotekyltti tulee tuotteen mukana yhdellä seuraavista tavoista:

1) Metallinen tuotekyltti ja kiinnitysruuvit

- Kiinnitä tuotekyltti ruuveilla tolppaan noin 2 metrin korkeuteen kuvan 2 mukaisesti.

2) Tuotekylttitarra

- Puhdista maalattu metalli- tai vaneripinta pölystä ja kosteudesta. Liimaa tarra kuvan 3 mukaisesti.
- Huom. Älä kiinnitä tarraa karheapintaiseen laminaattiin tai maalattuun puuhun.

Vår produktmärkning levereras på ett av följande sätt:

1) Produktskylt i metall

- Fäst skylten med de medföljande skruvarna

2) Självhäftande produktetikett

- Rengördenpulverlackerademetallytanellerlaminatytansåttndenblirfrifrånsmutsochfukt.Fästetikettenenligtfig.3.
- Obs! Fäst ej etiketten på detaljer med skrovlig yta eller på målat trä.

Product label is delivered by one of following ways:

1) Metal product label and screws

- Fasten the label with screws.

2) Label sticker

- Cleanthepaintedmetalorplywoodsurfacefromdirtandmoisture.Fastenthestickerasshowninthefigure3.
- Note. Do not attach the sticker to rough surfaced laminate or painted wood.

La plaque d'informations produit est livrée sous l'une de ces 3 formes :

1) Plaque métallique et vis

- Fixez la plaque à l'aide des vis.

2) Etiquette autocollante

- Avant de coller l'étiquette, nettoyez le composant métallique peint ou la plaque de contreplaqué, de toute saleté. La surface doit être sèche (voir image 3).
- Attention, ne pas coller l'étiquette sur une surface lamellé-collée irrégulière ou sur du bois peint.

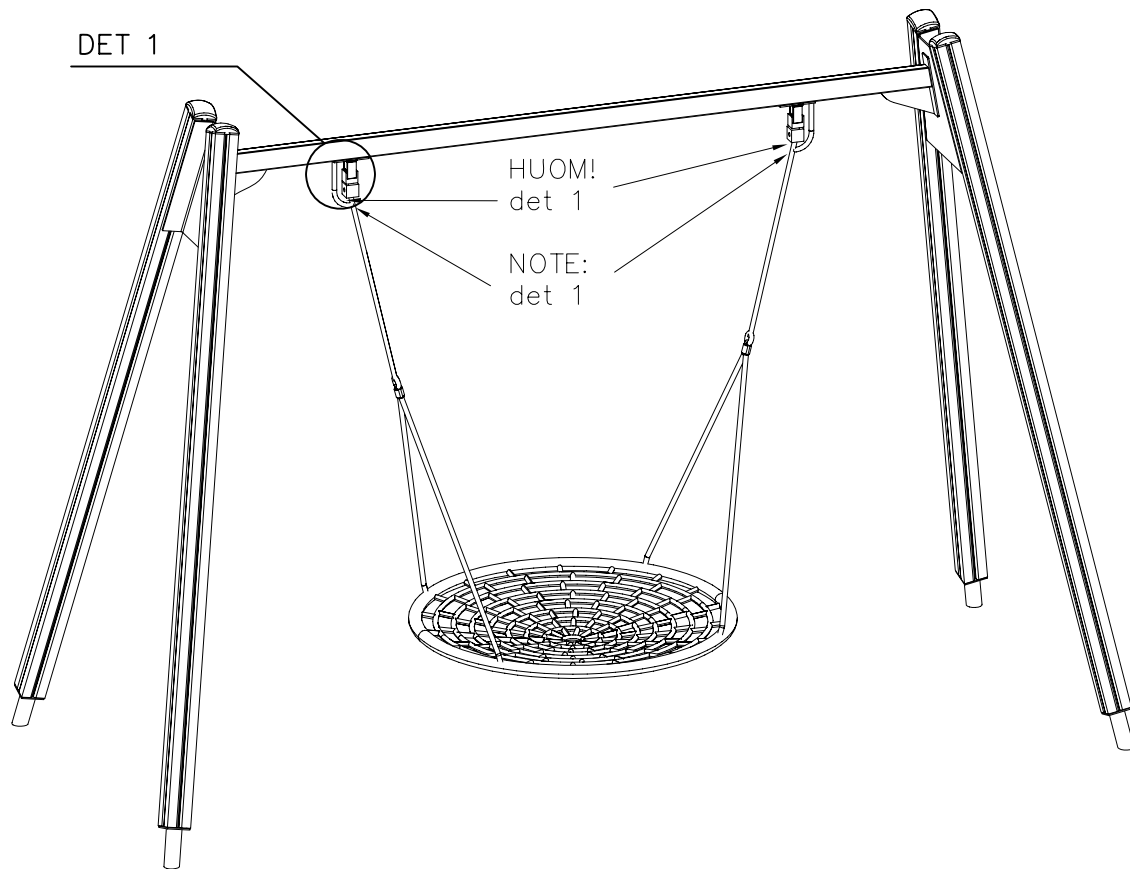
Die Auslieferung des Produktaufklebers erfolgt auf eine dieser Arten:

1) Produkt-Schild aus Metall incl. Schrauben

- Die Befestigung des Schildes erfolgt mittels der Schrauben.

2) Aufkleber

- EntfernenSiezunächstSchmutzundFeuchtigkeitvomlackiertenMetallbzw.vonderHolzoberflächeundbringenSiedenAufkleber wie im Bild oben rechts beschrieben auf den gesäuberten Untergrund auf.
- Beachten Sie: Bringen Sie den Aufkleber nicht auf raues laminiertes oder lackiertes Holz an.



DET 1

Note:

Make sure to straighten both chains before safety chain is installed. Twisted chains may wrap together and cause premature wear.

Huom!

Varmistu ketjujen suoruudesta asentaessasi turvaketjua. Kiertyneet ketjut voivat kietoutua toisiinsa ja aiheuttaa ketjujen nopeaa kulumista.

