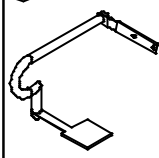
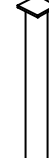

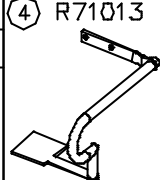



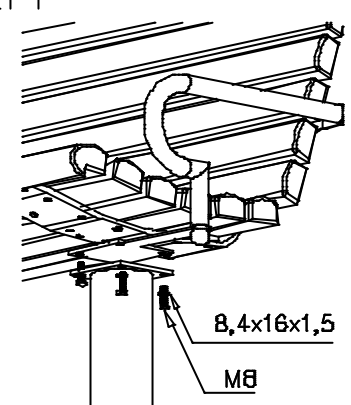
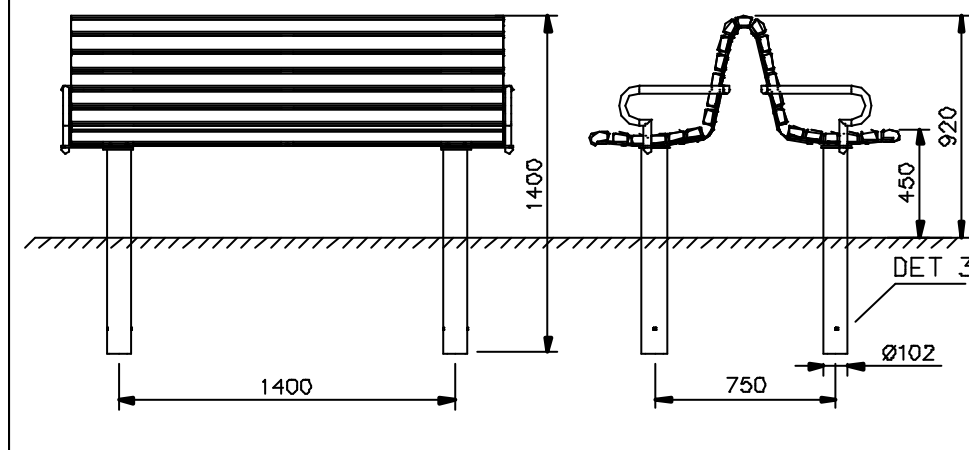


① L71013	ST	② N71014	ST
	2		4
③ N71511 Jarrah	ST	④ R71013	ST
	1		2
Furu N71531			
⑤ N00108	ST	⑥ N01820	ST
	8		16
8x12		8x20	
⑦ N03816	ST		ST
	16		
8,4x16x1,5"			

DET 1



8,4x16x1,5
M8



1400

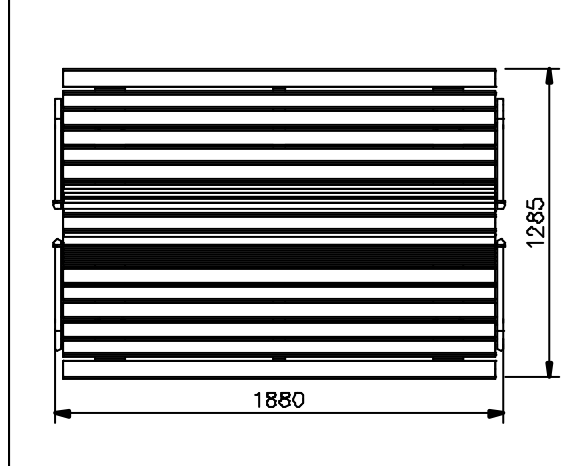
920

450

DET 3

Ø102

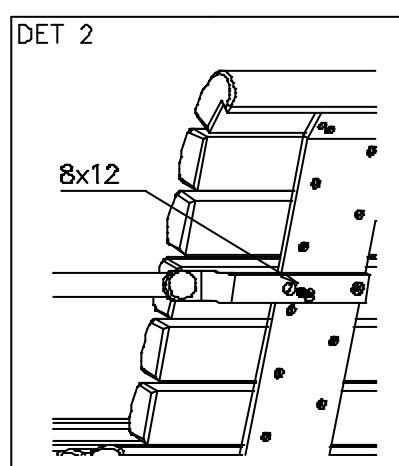
750



1285

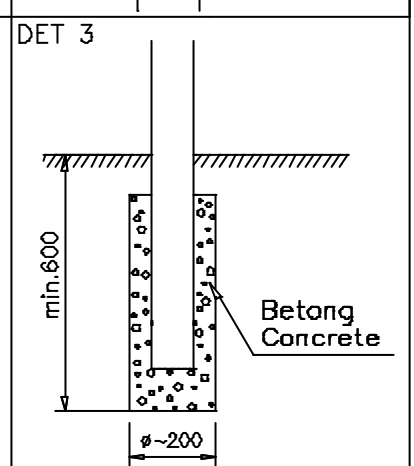
1880

DET 2



8x12

DET 3



min. 600

Betong
Concrete

φ ~200