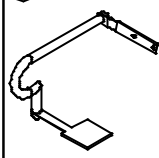
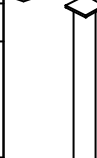

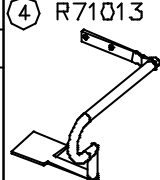



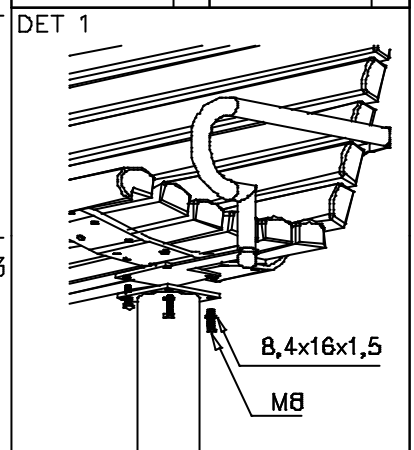
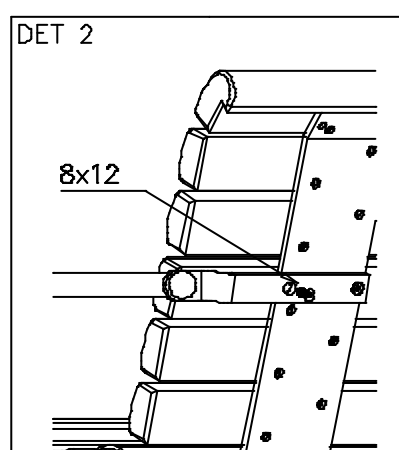
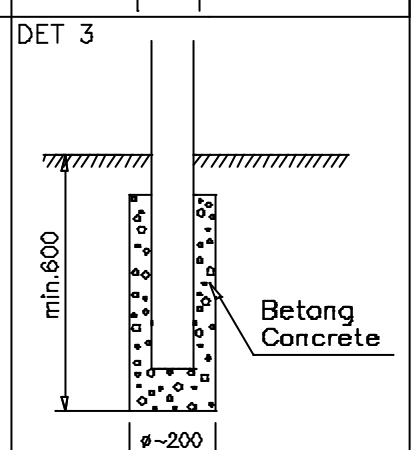
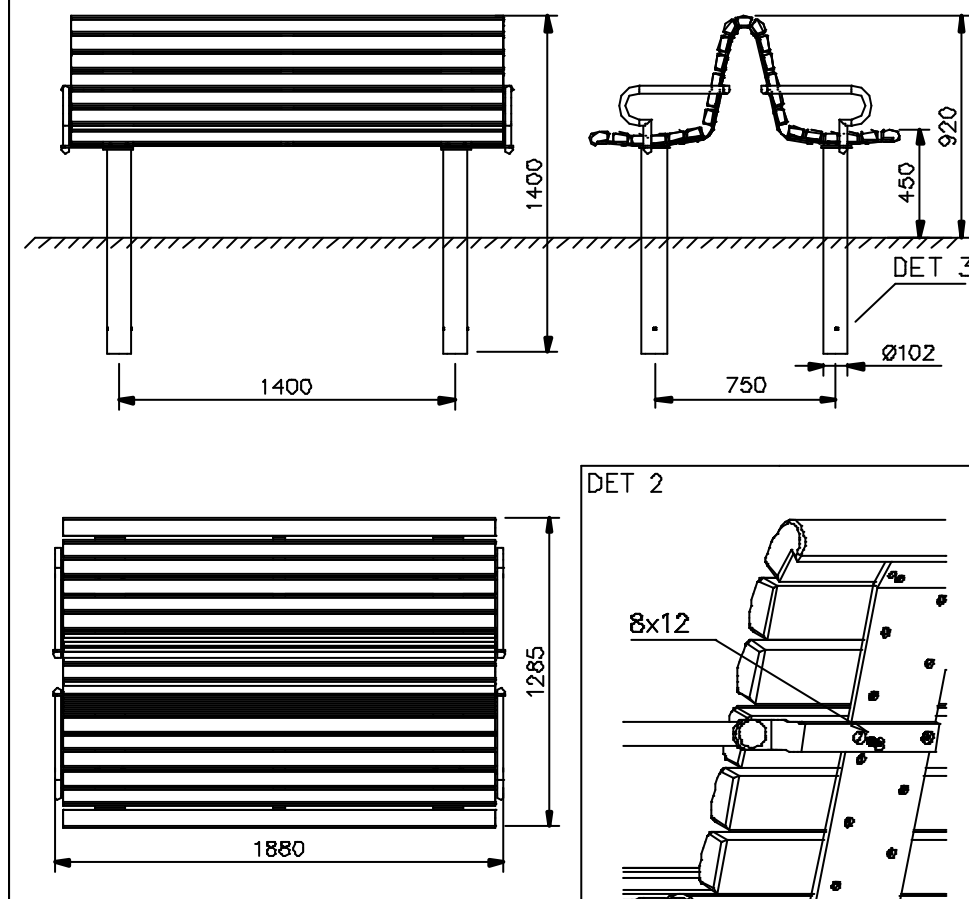


① L71013	ST	② N71014	ST
	2		4
③ N71511 Jarrah	ST	④ R71013	ST
	1		2
Furu N71531			
⑤ N00108	ST	⑥ N01820	ST
	8		16
8x12		8x20	
⑦ N03816	ST		ST
	16		
8,4x16x1,5 [°]			

Dimensions: 1400, 1400, 1285, 1880, 750, 920, 450, Ø102, min. 600, ~200.

Labels: DET 1, DET 2, DET 3, 8,4x16x1,5, M8, Betong Concrete.

WINAM GROUP NF7151 & NF7153

DATUM: 20.8.2003



① L71013	ST	② N71014	ST
	2		4
③ N71511 Jarrah	ST	④ R71013	ST
	1		2
Furu N71531			
⑤ N00108	ST	⑥ N01820	ST
	8		16
8x12		8x20	
⑦ N03816	ST		ST
	16		
8,4x16x1,5"			

DET 1

8,4x16x1,5
M8

DET 2

8x12

DET 3

min. 600
Betong Concrete
φ ~200

1400

1400

920

450

750

Ø102

1285

1880