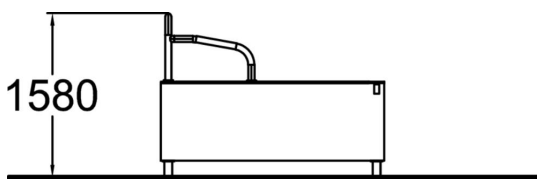
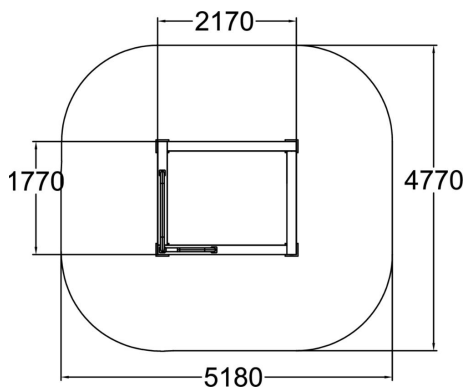




Top of the line vaulting square gets your vaulting skills to a new level with perfect wall height and surface. Want to combine vault to another vault, precision landing or underbar? No problem! "Vault square U" has all these functions packed in one single product. It also offers intuitive loop for balancing drills and games. Inner walls always have coloured graphic elements. Colours are derived from other elements in the layout.



Product length, mm	2220
Product width, mm	1820
Product height, mm	1580
Height required, mm	3880
Max. free fall height, mm	1580
Safety info	EN 16899 TÜV