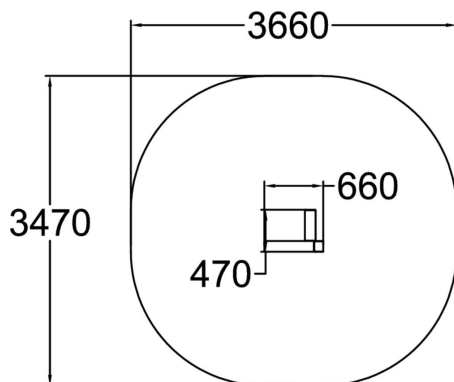


Dex Landing is mainly used for a takeoffs and landings or as a foot placement course. Offers a lot of variation thanks to different sized and shaped surfaces. Challenges to use one or two feet and create new ways to jump and land. The inclined surfaces are a signature element in this series giving a boost to the creative look and use of this product. Dex Landing is made of galvanized steel tube structure and it's ready to be installed without assembling.



Product length, mm	660
Product width, mm	470
Product height, mm	300
Falling space, m ²	10.8
Height required, mm	2400
Max. free fall height, mm	300
Safety info	EN 16899 TÜV
Foundation options	Deep mounting Surface mounting