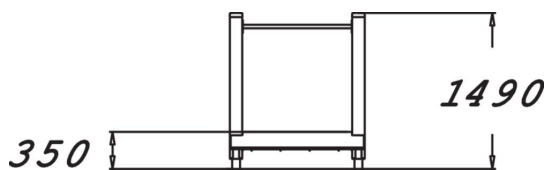
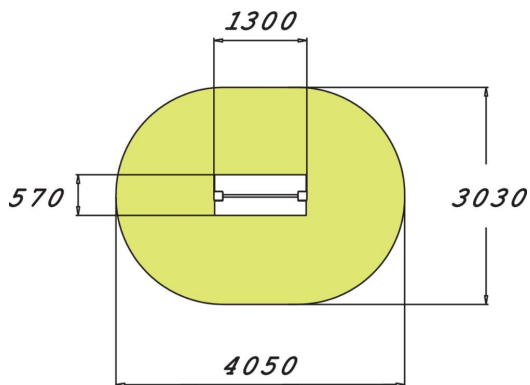




Fitness equipment intended for seniors, consisting of two wooden uprights holding a straight metal bar and a step. The step is curved on one side and straight on the other. The step height is 350 mm. The total height is 1,485 mm. Walking on a slanted surface increases leg mobility and helps to maintain good balance.



Product length, mm	1300
Product width, mm	570
Product height, mm	1485
Max. free fall height, mm	350
Safety info	EN 16630, EN 1176-1 TÜV
Installation time (for 1), H	4
Foundation options	Deep mounting Surface mounting